

NW DORMER Groep Veiling

14 Feb
2026
11:00|Potch



PRODUKSIEVEILING

KATALOGUS

04 OKTOBER 2025 | POTCHEFSTROOM

BKB

MEERKAT
ONLINE AUCTIONS

BREEDERS PICK



BLINKSTER

BREEDERS PICK



EN
LOT

BREEDERS PICK



RUSWATER

BREEDERS PICK



SWAN TAU

BREEDERS PICK



LABARIE



GOEDERTROU

HOOGLAND

BREEDERS PICK



WYNBOOM

KASSIE



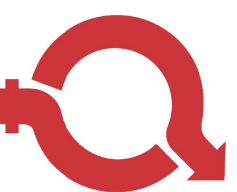
AMPTELIKE VEILINGSKATALOGUS VIR /
OFFICIAL AUCTION CATALOGUE FOR

NW DORMER GROEP VEILING

Potchefstroom
14 February 2026

All Pedigree- and Performance Data is as recorded on LOGIX on 03 February 2026

dormer



SA STAMBOEK
STUD BOOK

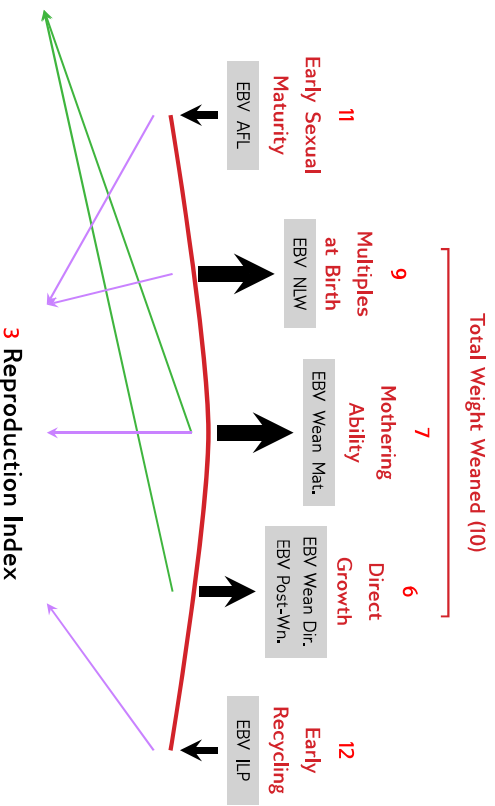


SELECTION INDICES FOR DORMER



1 L♀ GIX Merit Index

A total merit index for the breed for selection of balanced, profitable animals in both growth and reproduction.



2 Growth Index

Selection for:

- Fast growth potential
- Good maternal ability
- Heavy lambs at weaning
- Early market-readiness

3 Reproduction Index

Selection for:

- Early sexual maturity
- Regular pregnancies
- Multiples at birth
- Good mothering ability
- Heavy lambs at weaning

GENETIC VALUES - BUILDING BLOCKS

Growth		Reproduction				
Wn. Dir.	Wean Mat.	Post-Wn.	NLW	TWW	AFL	ILP
108	99	102	115	102	134	110
64%	45%	51%	52%	45%	36%	40%

The Logix Selection Indices are compiled of specific genetic building blocks, as indicated in the selection index descriptions above. These genetic building blocks are indicated in the catalogue by their Breeding Value indices and accuracies.

PHENOTYPIC VALUES

Birth Weight	Wean Weight	Post-Wean Weight	Mature Weight
4kg	20,5kg	55,4kg	88,5kg
	(80)	(100)	

Weights and phenotypic index as obtained within the animal's contemporary group


GROWTH TEST RESULTS

ADG Index	FCR Index	Scrotal Circumference
113	101	37mm

ADG en FCR index, and scrotal circumference, in mm, as measured during and at the end of the growth test

T22-0104 (SOLAR) - STRAWS

LOT 1A (M)



SWANTAU DORMERS
Klerksdorp, North West
0716843283
genadedal.plaas@icloud.com

T 220104

Herd Book	SP
Birth date	2022-05-01
Age	3.8 years
Inbreeding	%
Birth Stat.	1
Progeny	
In Herd	79
Total	197
Herds Used	5

JH 180153 (2)

Parentage Sire Dam
DNA
Genomic

T 190008 (2)
AFL 17.8 | ILP 409 | EPI 121
Lambd 5 | Lams 11 | Weaned 11

JH 150119

JH 140015
AFL - | ILP - | EPI 98
Lambd 14 | Lams 9 | Weaned 5

T 180417

T 150012
AFL 12.9 | ILP 319 | EPI 163
Lambd 10 | Lams 16 | Weaned 16

JH 130074

JH 130071
AFL - | ILP - | EPI 135
Lambd 16 | Lams 13 | Weaned 12

DZ 100045

AP 070234
AFL - | ILP - | EPI 123
Lambd 12 | Lams 11 | Weaned 11

T 160050

T 150018
AFL 14 | ILP 357 | EPI 167
Lambd 10 | Lams 18 | Weaned 18

JB 120113

T 110008
AFL 13 | ILP 357 | EPI 132
Lambd 7 | Lams 11 | Weaned 11

Growth			Reproduction			
Wn. Dir.	Wean Mat.	Post-Wn.	NLW	TWW	AFL	ILP
104	100	94	98	101	103	90
89%	65%	53%	54%	72%	51%	44%

Logix Merit Index 105


Growth Index 107

Reproduction Index 102

Birth Wt.	5kg
Wean Wt.	47.2kg (108)
Post-Wean	-
Mature Wt.	-
ADG Ind.	-
FCR Ind.	-
Scrotum	-

SELLER REMARKS:

LOT 1B (M)



SWANTAU DORMERS
Klerksdorp, North West
0716843283
genadedal.plaas@icloud.com

T 220104

Herd Book	SP
Birth date	2022-05-01
Age	3.8 years
Inbreeding	%
Birth Stat.	1
Progeny	
In Herd	79
Total	197
Herds Used	5

JH 180153 (2)

Parentage Sire Dam
DNA
Genomic

T 190008 (2)
AFL 17.8 | ILP 409 | EPI 121
Lambd 5 | Lams 11 | Weaned 11

JH 150119

JH 140015
AFL - | ILP - | EPI 98
Lambd 14 | Lams 9 | Weaned 5

T 180417

T 150012
AFL 12.9 | ILP 319 | EPI 163
Lambd 10 | Lams 16 | Weaned 16

JH 130074

JH 130071
AFL - | ILP - | EPI 135
Lambd 16 | Lams 13 | Weaned 12

DZ 100045

AP 070234
AFL - | ILP - | EPI 123
Lambd 12 | Lams 11 | Weaned 11

T 160050

T 150018
AFL 14 | ILP 357 | EPI 167
Lambd 10 | Lams 18 | Weaned 18

JB 120113

T 110008
AFL 13 | ILP 357 | EPI 132
Lambd 7 | Lams 11 | Weaned 11

Growth			Reproduction			
Wn. Dir.	Wean Mat.	Post-Wn.	NLW	TWW	AFL	ILP
104	100	94	98	101	103	90
89%	65%	53%	54%	72%	51%	44%

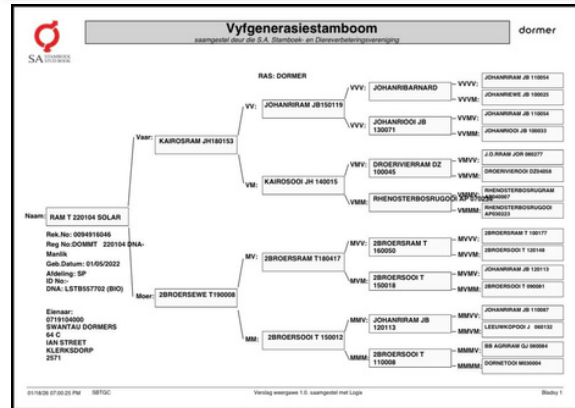
Logix Merit Index 105

Growth Index 107

Reproduction Index 102

Birth Wt.	5kg
Wean Wt.	47.2kg (108)
Post-Wean	-
Mature Wt.	-
ADG Ind.	-
FCR Ind.	-
Scrotum	-

SELLER REMARKS:



Motility & Concentration

Sample analysis

Date of analysis: 9/20/2025

Total number of sperm analyzed: 2458

Number of fields: 1

Dilution ratio: 1 + 0

Concentration: 290.66 (10⁶/ml)

Total motility: (%) 99.98

Progressive motility: (%) 97.22

Fast motility: (%) 20.11

Slow motility: (%) 0.08

Circle motility: (%) 77.03

Local motility: (%) 2.76

Immotile: (%) 0.02

Average kinematic	VCL	VSL	VAP	DCL	DSL	DAP	ALH	BCF	HAC	LN	STR
	[µm]	[µm/s]	[µm/s]	[µm]	[µm]	[µm]	[µm]	[µm]	[µm]	[µm]	[µm]
Total motility	206.53	69.58	95.45	46.97	14.82	20.19	4.51	11.22	0.62	0.34	0.74
Progressive motility	206.98	71.21	95.43	46.98	15.56	20.37	4.51	11.29	0.62	0.35	0.75
Fast motility	195.24	95.53	105.47	52.26	16.64	17.79	3.77	10.63	0.62	0.48	0.86
Slow motility	66.46	31.17	39.09	9.90	4.52	5.82	1.42	8.69	0.58	0.48	0.77
Circle motility	211.67	62.04	86.18	52.64	14.84	21.37	4.80	11.54	0.62	0.29	0.71
Local motility	189.51	6.31	53.34	46.64	1.95	13.69	4.49	8.87	0.64	0.05	0.39

LOT 1 (M)



C.P. BRAND



Delareyville, North West
0725621883
greenstarmills@gmail.com

CPBO240056

BLINKSTER RAM CPBO240056

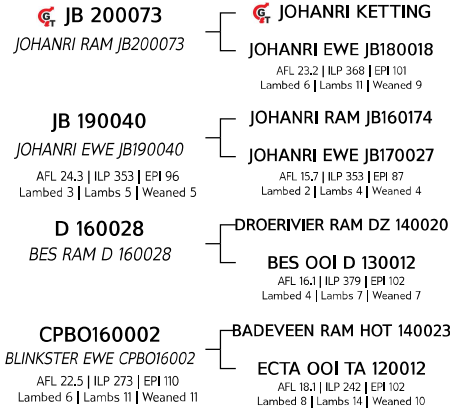
Herd Book	SP
Birth date	2024-04-19
Age	1.8 years
Inbreeding	5.52%
Birth Stat.	2
Progeny	None



JB 210179 (2)
JOHANRI RAM JB210179

Parentage Sire Dam
DNA
Genomic

CPBO190020 (2)
BLINKSTER EWE CPBO190020
AFL 21 | ILP 285 | EPI 128
Lambded 7 | Lambs 11 | Weaned 9



Growth			Reproduction			
Wn. Dir.	Wean Mat.	Post-Wn.	NLW	TWW	AFL	ILP
103	97	103	89	92	88	102
60%	47%	44%	35%	49%	30%	24%

Logix Merit Index	97
Growth Index	105
Reproduction Index	90

Birth Wt.	4kg
Wean Wt.	38.4kg (100)
Post-Wean	-
Mature Wt.	127kg
ADG Ind.	-
FCR Ind.	-
Scrotum	-



SELLER REMARKS:

LOT 2 (M)



LA ME DORMERS

Potchefstroom, North West
0726747333
theanakruger@gmail.com

LAM 240144

LA ME RAM LAM 240144

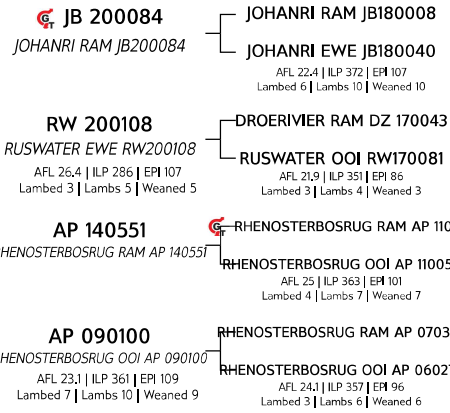
Herd Book	SP
Birth date	2024-08-18
Age	1.5 years
Inbreeding	5.8%
Birth Stat.	1
Progeny	None



RW 220185 (2)
RUSWATER RAM RW 220185

Parentage Sire Dam
DNA
Genomic

RW 160042 (2)
RUSWATER EWE RW160042
AFL 28.1 | ILP 299 | EPI 116
Lambded 9 | Lambs 13 | Weaned 13



Growth			Reproduction			
Wn. Dir.	Wean Mat.	Post-Wn.	NLW	TWW	AFL	ILP
92	98	96	104	98	111	108
61%	48%	40%	37%	50%	29%	24%

Logix Merit Index	101
Growth Index	95
Reproduction Index	108

Birth Wt.	4kg
Wean Wt.	50.5kg (114)
Post-Wean	-
Mature Wt.	-
ADG Ind.	-
FCR Ind.	-
Scrotum	-



SELLER REMARKS: Top Stud Ram, Exceptional Balance, Alfa and Curvebender sire line and strong AP dam line

LOT 3 (M)



SWANTAU DORMERS



Klerksdorp, North West
0716843283
genadedal.plaas@icloud.com

ST 240103

SWANTAU RAM ST 240103

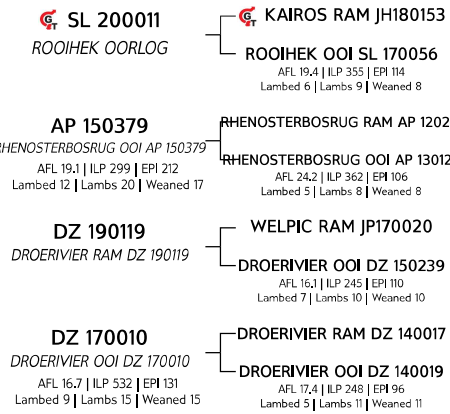
Herd Book	SP
Birth date	2024-08-20
Age	1.5 years
Inbreeding	5.9%
Birth Stat.	2
Progeny	None



HE 220034 (2)
EKSTEENS HATARI GHOST

Parentage Sire Dam
DNA
Genomic

DZ 200213 (3)
DROERIVIER OOI DZ 200213
AFL 16.1 | ILP 351 | EPI 94
Lambded 5 | Lambs 7 | Weaned 5



Growth			Reproduction			
Wn. Dir.	Wean Mat.	Post-Wn.	NLW	TWW	AFL	ILP
105	94	104	102	101	110	110
59%	48%	41%	39%	50%	34%	28%

Logix Merit Index	108
Growth Index	105
Reproduction Index	106

Birth Wt.	3kg
Wean Wt.	34.6kg (100)
Post-Wean	-
Mature Wt.	-
ADG Ind.	-
FCR Ind.	-
Scrotum	-



SELLER REMARKS:

LOT 4 (M)



F.J. KRUGER



Potchefstroom, North West
0828591867
ruswater.kruger@gmail.com

RW 240113

RUSWATER RAM RW 240113

Kuddeboek	SP
Geb. dtm	2024-08-17
Oud.	1.5 jaar
Inteling	8.96%
Geb. Status	2
Nageslag	
Geen	

dormer



RW 220185 (2)	
RUSWATER RAM RW 220185	
Ouerskap Vaar Moer	
DNS	
Genomies	
RW 210147 (1)	
RUSWATER OOI RW 210147	
OEL 23 ILP 395 OPI 113 Gelam 2 Lammers 3 Gespeen 3	

JB 200084	JOHANRI RAM JB180008
JOHANRI RAM JB200084	JOHANRI EWE JB180040
	OEL 22.4 ILP 372 OPI 107 Gelam 6 Lammers 10 Gespeen 10
RW 200108	DROERIVIER RAM DZ 170043
RUSWATER EWE RW200108	RUSWATER OOI RW170081
OEL 26.4 ILP 286 OPI 107 Gelam 3 Lammers 5 Gespeen 5	OEL 21.9 ILP 351 OPI 86 Gelam 3 Lammers 4 Gespeen 3
T 180004	LEEUEWKOP RAM J 140025
ZBROERS RAM T180004	ZBROERS OOI T 140046
	OEL - ILP - OPI 179 Gelam 15 Lammers 19 Gespeen 19
RW 200003	DROERIVIER RAM DZ 170043
RUSWATER OOI RW200003	RHENOSTERBOSRUG OOI AP 170060
OEL 19.4 ILP 413 OPI 90 Gelam 2 Lammers 2 Gespeen 2	OEL 32.6 ILP 269 OPI 91 Gelam 2 Lammers 4 Gespeen 4

Groei			Reproduksie			
Spn. Dir.	Spn. Mat.	Na-Spn.	GLS	TWW	OEL	ILP
85	108	86	97	92	101	106
58%	44%	42%	34%	47%	32%	25%



Logix Meriete Indeks	94
Groei Indeks	92
Reproduksie Indeks	103

Geb. Gew.	5.2kg
Speen Gew.	40.6kg (119)
Na-Speen	-
Volw. Gew.	-
GDT Ind.	-
VOV Ind.	-
Skrotum	-

VERKOPER OPMERKINGS: Top Stud Ram, DZ170043 from both sides, with Alfa and Curvebender line. - Strong Head, long body and filled hind quarter.

LOT 5 (M)



MNR. W.T. VAN DER POEL

Magaliesburg, Gauteng
0662877043
elize@goedertrou.com

GB 240002

GOEDERTROU RAM GB240002

Kuddeboek	SP
Geb. dtm	2024-05-01
Oud.	1.8 jaar
Inteling	5.9%
Geb. Status	1
Nageslag	
Geen	

dormer



AP 190116 (1)	
RHENOSTERBOSRUG RAM AP 190116	
Ouerskap Vaar Moer	
DNS	
Genomies	
RW 220166 (1)	
RUSWATER OOI RW 220166	
OEL 18.8 ILP 428 OPI 150 Gelam 2 Lammers 3 Gespeen 3	

AP 170572	RHENOSTERBOSRUG RAM AP 160042
RHENOSTERBOSRUG RAM AP 170572	RHENOSTERBOSRUG OOI AP 160017
	OEL 20.5 ILP - OPI 86 Gelam 1 Lammers 1 Gespeen 1
AP 160392	KINKO RAM JS 130001
RHENOSTERBOSRUG OOI AP 160392	RHENOSTERBOSRUG OOI AP 120290
OEL 24.4 ILP 359 OPI 115 Gelam 5 Lammers 8 Gespeen 8	OEL 24.6 ILP 364 OPI 158 Gelam 7 Lammers 13 Gespeen 13
JB 200084	JOHANRI RAM JB180008
JOHANRI RAM JB200084	JOHANRI EWE JB180040
	OEL 22.4 ILP 372 OPI 107 Gelam 6 Lammers 10 Gespeen 10
RW 200034	DROERIVIER RAM DZ 170043
RUSWATER EWE RW200034	RUSWATER OOI RW170073
OEL 17 ILP 290 OPI 104 Gelam 3 Lammers 5 Gespeen 4	OEL 22 ILP 374 OPI 88 Gelam 3 Lammers 6 Gespeen 6

Groei			Reproduksie			
Spn. Dir.	Spn. Mat.	Na-Spn.	GLS	TWW	OEL	ILP
102	83	102	91	88	98	102
62%	51%	47%	38%	52%	37%	25%



Logix Meriete Indeks	93
Groei Indeks	96
Reproduksie Indeks	87

Geb. Gew.	4.6kg
Speen Gew.	33kg (100)
Na-Speen	-
Volw. Gew.	-
GDT Ind.	-
VOV Ind.	-
Skrotum	-

VERKOPER OPMERKINGS:

LOT 6 (M)



C.P. BRAND



Delareyville, North West
0725621883
greenstarmills@gmail.com

CPBO240041

BLINKSTER RAM CPBO240041

Kuddeboek	SP
Geb. dtm	2024-04-04
Oud.	1.9 jaar
Inteling	8.07%
Geb. Status	2
Nageslag	
Geen	

dormer



JB 210179 (2)	
JOHANRI RAM JB210179	
Ouerskap Vaar Moer	
DNS	
Genomies	
CPBO200030 (1)	
BLINKSTER EWE CPBO200030	
OEL 27.4 ILP 468 OPI 93 Gelam 3 Lammers 4 Gespeen 4	

JB 200073	JOHANRI KETTING
JOHANRI RAM JB200073	JOHANRI EWE JB180018
	OEL 23.2 ILP 368 OPI 101 Gelam 6 Lammers 11 Gespeen 9
JB 190040	JOHANRI RAM JB160174
JOHANRI EWE JB190040	JOHANRI EWE JB170027
OEL 24.3 ILP 353 OPI 96 Gelam 3 Lammers 5 Gespeen 5	OEL 15.7 ILP 353 OPI 87 Gelam 2 Lammers 4 Gespeen 4
SWH 180087	JOHANRI RAM JB160083
SWH RAM SWH 180087	JOHANRI OOI JB 130202
	OEL 20.7 ILP 317 OPI 134 Gelam 5 Lammers 10 Gespeen 10
SWH 170149	JOHANRI BARNARD
SWH OOI SWH 170149	MAMRE OOI HW140100
OEL 18.3 ILP 359 OPI 127 Gelam 8 Lammers 16 Gespeen 11	OEL - ILP - OPI 100 Gelam 6 Lammers 4 Gespeen 2

Groei			Reproduksie			
Spn. Dir.	Spn. Mat.	Na-Spn.	GLS	TWW	OEL	ILP
86	91	87	78	73	92	88
59%	45%	35%	33%	48%	31%	24%



Logix Meriete Indeks	75
Groei Indeks	86
Reproduksie Indeks	75

Geb. Gew.	4kg
Speen Gew.	31.3kg (89)
Na-Speen	-
Volw. Gew.	104kg
GDT Ind.	-
VOV Ind.	-
Skrotum	-

VERKOPER OPMERKINGS:

LOT 7 (M)



CPBO240070

BLINKSTER RAM CPBO240070

Herd Book	SP
Birth date	2024-04-29
Age	1.8 years
Inbreeding	6.36%
Birth Stat.	2
Progeny	None



C.P. BRAND

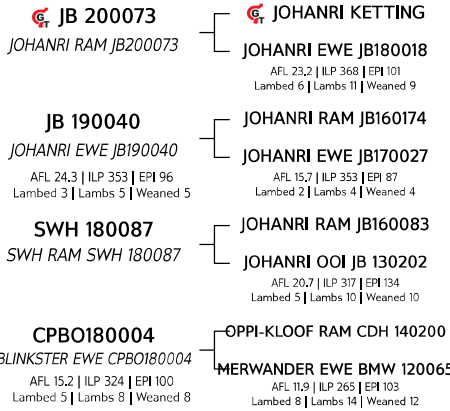


Delareyville, North West
0725621883
greenstarmills@gmail.com

JB 210179 (2)
JOHANRI RAM JB210179

Parentage Sire Dam
DNA
Genomic

CPBO210023 (2)
BLINKSTER EWE CPBO210023
AFL 17.3 | ILP 488 | EPI 105
Lambded 3 | Lambs 6 | Weaned 6



Growth			Reproduction			
Wn. Dir.	Wean Mat.	Post-Wn.	NLW	TWW	AFL	ILP
102	97	98	84	89	93	89
59%	46%	44%	32%	48%	30%	23%

Logix Merit Index	94	Birth Wt.	4kg
Growth Index	104	Wean Wt.	47.9kg (125)
Reproduction Index	87	Post-Wean	-
		Mature Wt.	124kg
		ADG Ind.	-
		FCR Ind.	-
		Scrotum	-



EBV Analysis 2026-01-21

SELLER REMARKS:

LOT 8 (M)



LAM 240160

LA ME RAM LAM 240160

Herd Book	SP
Birth date	2024-08-20
Age	1.5 years
Inbreeding	11.51%
Birth Stat.	2
Progeny	None



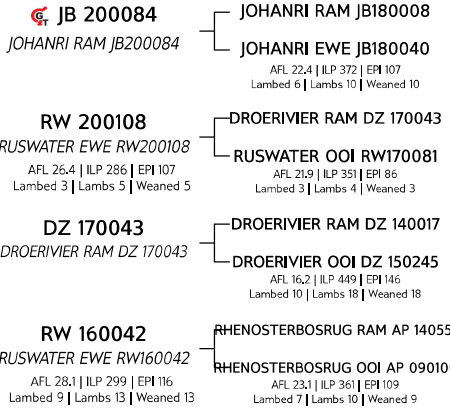
LA ME DORMERS

Potchefstroom, North West
0726747333
theanakruger@gmail.com

RW 220185 (2)
RUSWATER RAM RW 220185

Parentage Sire Dam
DNA
Genomic

RW 190081 (2)
RUSWATER EWE RW190081
AFL 30.3 | ILP 467 | EPI 92
Lambded 3 | Lambs 5 | Weaned 4



Growth			Reproduction			
Wn. Dir.	Wean Mat.	Post-Wn.	NLW	TWW	AFL	ILP
84	99	88	104	93	107	107
59%	45%	39%	35%	48%	30%	25%

Logix Merit Index	94	Birth Wt.	4kg
Growth Index	87	Wean Wt.	50.6kg (114)
Reproduction Index	105	Post-Wean	-
		Mature Wt.	-
		ADG Ind.	-
		FCR Ind.	-
		Scrotum	-



EBV Analysis 2026-01-21

SELLER REMARKS: Top Stud Ram, Exceptional Balance, Alfa and Curvebender sire line and strong AP dam line

LOT 9 (M)



RW 240016

RUSWATER RAM RW 240016

Herd Book	SP
Birth date	2024-04-27
Age	1.8 years
Inbreeding	4.05%
Birth Stat.	2
Progeny	None



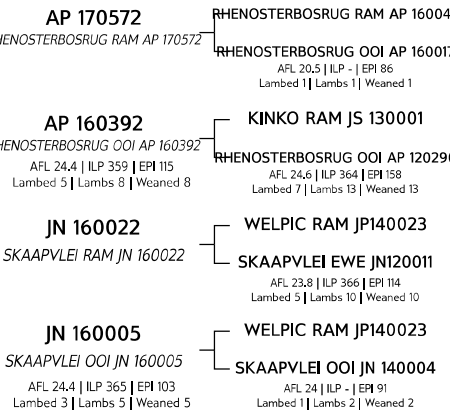
LA ME DORMERS

Potchefstroom, North West
0726747333
theanakruger@gmail.com

AP 190116 (1)
RHENOSTERBOSRUG RAM AP 190116

Parentage Sire Dam
DNA
Genomic

JN 180043 (2)
SKAAPVLEI EWE JN180043
AFL 25.6 | ILP 424 | EPI 112
Lambded 5 | Lambs 10 | Weaned 9



Growth			Reproduction			
Wn. Dir.	Wean Mat.	Post-Wn.	NLW	TWW	AFL	ILP
92	94	92	91	87	104	107
62%	54%	51%	40%	54%	37%	27%

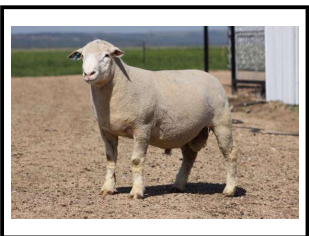
Logix Merit Index	91	Birth Wt.	2.9kg
Growth Index	92	Wean Wt.	30.2kg (100)
Reproduction Index	93	Post-Wean	77.2kg (100)
		Mature Wt.	-
		ADG Ind.	-
		FCR Ind.	-
		Scrotum	-



EBV Analysis 2026-01-21

SELLER REMARKS:

LOT 10 (M)



SWANTAU DORMERS



Klerksdorp, North West

0716843283

genadedal.plaas@icloud.com

ST 240133

SWANTAU RAM ST 240133

Kuddeboek	SP
Geb. dtm	2024-11-05
Oud.	1.3 jaar
Inteling	5.47%
Geb. Status	1
Nageslag	
Geen	

dormer



Ouerskap Vaar Moer
DNS
Genomies

DZ 200315 (2)
DROERIVIER OOI DZ 200315
OEL 15,5 | ILP 368 | OPI 91
Gedam 4 | Lammers 5 | Gespeen 5

JB 160084
JOHANRI APOLLO
JOHANRI RAM JB 140174
JOHANRI OOI JB 120196
OEL - | ILP - | OPI 127
Gedam 11 | Lammers 11 | Gespeen 8

NB 160531
NOVA BARLETTA EWE NB160531
OEL 22,4 | ILP 353 | OPI 135
Gedam 4 | Lammers 7 | Gespeen 6

DZ 190103
DROERIVIER RAM DZ 190103
DROERIVIER OOI DZ 150014
OEL 19,9 | ILP 302 | OPI 92
Gedam 4 | Lammers 7 | Gespeen 7

DZ 190038
DROERIVIER OOI DZ 190038
OEL 16,5 | ILP 357 | OPI 89
Gedam 4 | Lammers 7 | Gespeen 6

WELPIC RAM JP170020
DROERIVIER OOI DZ 160139
OEL 17,7 | ILP 225 | OPI 84
Gedam 3 | Lammers 6 | Gespeen 6

Groeï			Reproduksie			
Spn. Dir.	Spn. Mat.	Na-Spn.	GLS	TWW	OEL	ILP
90	97	85	111	101	101	110
62%	53%	40%	41%	54%	41%	31%

Logix Meriete Indeks	100	Geb. Gew.	3kg
Groeï Indeks	92	Speen Gew.	35.2kg (98)
Reproduksie Indeks	109	Na-Speen	-
		Volw. Gew.	-
		GDT Ind.	-
		VOV Ind.	-
		Skrotum	-

LOGIX
EBV Analise 2026-01-21

VERKOPER OPMERKINGS:

LOT 11 (M)



F.J. KRUGER



Potchefstroom, North West

0828591867

ruswater.kruger@gmail.com

RW 240109

RUSWATER RAM RW240109

Kuddeboek	SP
Geb. dtm	2024-08-09
Oud.	1.5 jaar
Inteling	4.4%
Geb. Status	1
Nageslag	
Geen	

dormer



Ouerskap Vaar Moer
DNS
Genomies

JOR 170112 (1)
J.O.R OOI JOR 170112
OEL 17,2 | ILP 346 | OPI 122
Gedam 8 | Lammers 10 | Gespeen 8

JB 200084
JOHANRI RAM JB200084
JOHANRI RAM JB180008
JOHANRI EWE JB180040
OEL 22,4 | ILP 372 | OPI 107
Gedam 6 | Lammers 10 | Gespeen 10

RW 200108
RUSWATER EWE RW200108
OEL 26,4 | ILP 286 | OPI 107
Gedam 3 | Lammers 5 | Gespeen 5

JOR 140262
J.O.R RAM JOR 140262
J.O.R OOI JOR 120113
OEL 15,2 | ILP 379 | OPI 89
Gedam 2 | Lammers 2 | Gespeen 2

JOR 140140
J.O.R OOI JOR 140140
OEL 23,3 | ILP 287 | OPI 93
Gedam 5 | Lammers 5 | Gespeen 4

TOP 3 RAM ASJ 120369
J.O.R OOI JOR 110079
OEL 15,7 | ILP 331 | OPI 114
Gedam 5 | Lammers 7 | Gespeen 7

Groeï			Reproduksie			
Spn. Dir.	Spn. Mat.	Na-Spn.	GLS	TWW	OEL	ILP
89	99	94	99	93	100	117
59%	47%	38%	36%	49%	31%	25%

Logix Meriete Indeks	96	Geb. Gew.	5kg
Groeï Indeks	93	Speen Gew.	34kg (100)
Reproduksie Indeks	102	Na-Speen	-
		Volw. Gew.	-
		GDT Ind.	-
		VOV Ind.	-
		Skrotum	-

LOGIX
EBV Analise 2026-01-21

VERKOPER OPMERKINGS:

LOT 12 (M)



F.J. KRUGER



Potchefstroom, North West

0828591867

ruswater.kruger@gmail.com

RW 240126

RUSWATER RAM RW 240126

Kuddeboek	SP
Geb. dtm	2024-08-19
Oud.	1.5 jaar
Inteling	4.28%
Geb. Status	4
Nageslag	
Geen	

dormer



Ouerskap Vaar Moer
DNS
Genomies

RW 160039 (2)
RUSWATER EWE RW160039
OEL 26,2 | ILP 362 | OPI 95
Gedam 7 | Lammers 14 | Gespeen 10

JB 200084
JOHANRI RAM JB200084
JOHANRI RAM JB180008
JOHANRI EWE JB180040
OEL 22,4 | ILP 372 | OPI 107
Gedam 6 | Lammers 10 | Gespeen 10

RW 200108
RUSWATER EWE RW200108
OEL 26,4 | ILP 286 | OPI 107
Gedam 3 | Lammers 5 | Gespeen 5

AP 140551
RHENOSTERBOSRUG RAM AP 140551
RHENOSTERBOSRUG OOI AP 110054
OEL 25 | ILP 363 | OPI 101
Gedam 4 | Lammers 7 | Gespeen 7

QJ 110044
BB AGRI EWE QJ110044
OEL 16,2 | ILP 345 | OPI 186
Gedam 6 | Lammers 10 | Gespeen 10

AAN-DE-VALLEI RAM DE 100056
BB AGRI OOI QJ 090071
OEL 18,1 | ILP 306 | OPI 131
Gedam 6 | Lammers 7 | Gespeen 7

Groeï			Reproduksie			
Spn. Dir.	Spn. Mat.	Na-Spn.	GLS	TWW	OEL	ILP
87	105	91	112	104	101	107
60%	47%	39%	36%	49%	29%	23%

Logix Meriete Indeks	102	Geb. Gew.	3.9kg
Groeï Indeks	93	Speen Gew.	29kg (85)
Reproduksie Indeks	114	Na-Speen	-
		Volw. Gew.	-
		GDT Ind.	-
		VOV Ind.	-
		Skrotum	-

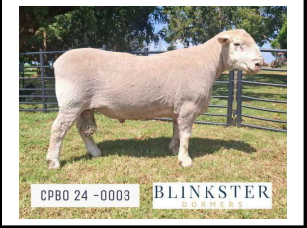
LOGIX
EBV Analise 2026-01-21

VERKOPER OPMERKINGS:

LOT 13 (M)

CPBO240003

BLINKSTER RAM CPBO240003



Herd Book	SP
Birth date	2024-03-13
Age	1.9 years
Inbreeding	5.6%
Birth Stat.	3
Progeny	
None	

C.P. BRAND



Delareyville, North West
0725621883
greenstarmills@gmail.com

JB 210179 (2) JOHANRI RAM JB210179	
Parentage	Sire Dam
DNA	
Genomic	
CPBO190033 (2) BLINKSTER EWE CPBO190033 AFL 17.1 ILP 323 EPI 118 Lambd 6 Lams 12 Weaned 11	

JB 200073 JOHANRI RAM JB200073	JOHANRI KETTING JOHANRI EWE JB180018 AFL 23.2 ILP 368 EPI 101 Lambd 6 Lams 11 Weaned 9
JB 190040 JOHANRI EWE JB190040 AFL 24.3 ILP 353 EPI 96 Lambd 3 Lams 5 Weaned 5	JOHANRI RAM JB160174 JOHANRI EWE JB170027 AFL 15.7 ILP 353 EPI 87 Lambd 2 Lams 4 Weaned 4
D 160028 BES RAM D 160028	DROERIVIER RAM DZ 140020 BES OOI D 130012 AFL 16.1 ILP 379 EPI 102 Lambd 4 Lams 7 Weaned 7
CPBO160007 BLINKSTER EWE CPBO160007 AFL 24.8 ILP 315 EPI 90 Lambd 3 Lams 5 Weaned 5	BADEVEEN RAM HOT 140023 ECTA OOI TA 120009 AFL 18.7 ILP 287 EPI 133 Lambd 7 Lams 15 Weaned 9

Growth			Reproduction			
Wn. Dir.	Wean Mat.	Post-Wn.	NLW	TWW	AFL	ILP
97	99	100	94	93	86	104
60%	48%	33%	34%	49%	30%	24%

Logix Merit Index	95	Birth Wt.	4kg
Growth Index	99	Wean Wt.	34.5kg (102)
Reproduction Index	93	Post-Wean	-
		Mature Wt.	125kg
		ADG Ind.	-
		FCR Ind.	-
		Scrotum	-



SELLER REMARKS:

LOT 14 (M)

CPBO240019

BLINKSTER RAM CPBO240019



Herd Book	SP
Birth date	2024-03-16
Age	1.9 years
Inbreeding	6.72%
Birth Stat.	2
Progeny	
None	

C.P. BRAND



Delareyville, North West
0725621883
greenstarmills@gmail.com

JB 210179 (2) JOHANRI RAM JB210179	
Parentage	Sire Dam
DNA	
Genomic	
CPBO200007 (2) BLINKSTER EWE CPBO200007 AFL 13.6 ILP 312 EPI 112 Lambd 5 Lams 9 Weaned 7	

JB 200073 JOHANRI RAM JB200073	JOHANRI KETTING JOHANRI EWE JB180018 AFL 23.2 ILP 368 EPI 101 Lambd 6 Lams 11 Weaned 9
JB 190040 JOHANRI EWE JB190040 AFL 24.3 ILP 353 EPI 96 Lambd 3 Lams 5 Weaned 5	JOHANRI RAM JB160174 JOHANRI EWE JB170027 AFL 15.7 ILP 353 EPI 87 Lambd 2 Lams 4 Weaned 4
SWH 180069 SWH RAM SWH 180069	JOHANRI RAM JB160083 JOHANRI EWE JB160088 AFL 23.4 ILP 411 EPI 100 Lambd 4 Lams 9 Weaned 6
CPBO180032 BLINKSTER EWE CPBO180032 AFL 23.9 ILP 349 EPI 100 Lambd 4 Lams 6 Weaned 6	BES RAM D 160028 BES OOI D 160059 AFL 16.5 ILP 328 EPI 114 Lambd 6 Lams 8 Weaned 7

Growth			Reproduction			
Wn. Dir.	Wean Mat.	Post-Wn.	NLW	TWW	AFL	ILP
91	97	94	88	85	77	102
59%	46%	33%	33%	48%	30%	22%

Logix Merit Index	85	Birth Wt.	4kg
Growth Index	93	Wean Wt.	27.5kg (81)
Reproduction Index	84	Post-Wean	-
		Mature Wt.	102kg
		ADG Ind.	-
		FCR Ind.	-
		Scrotum	-



SELLER REMARKS:

LOT 15 (M)

RW 240105

RUSWATER RAM RW 240105



Herd Book	SP
Birth date	2024-07-21
Age	1.6 years
Inbreeding	6.48%
Birth Stat.	2
Progeny	
None	

LA ME DORMERS

Potchefstroom, North West
0726747333
theanakruger@gmail.com

RW 220185 (2) RUSWATER RAM RW 220185	
Parentage	Sire Dam
DNA	
Genomic	
RW 200137 (1) RUSWATER EWE RW200137 AFL 20.8 ILP 271 EPI 196 Lambd 6 Lams 11 Weaned 9	

JB 200084 JOHANRI RAM JB200084	JOHANRI RAM JB180008 JOHANRI EWE JB180040 AFL 22.4 ILP 372 EPI 107 Lambd 6 Lams 10 Weaned 10
RW 200108 RUSWATER EWE RW200108 AFL 26.4 ILP 286 EPI 107 Lambd 3 Lams 5 Weaned 5	DROERIVIER RAM DZ 170043 RUSWATER OOI RW170081 AFL 21.9 ILP 351 EPI 86 Lambd 3 Lams 4 Weaned 3
T 180004 ZBROERS RAM T180004	LEEUEWKOP RAM J 140025 ZBROERS OOI T 140046 AFL - ILP - EPI 179 Lambd 15 Lams 19 Weaned 19
RW 180110 RUSWATER OOI RW180110 AFL 20.8 ILP 359 EPI 114 Lambd 5 Lams 7 Weaned 7	DROERIVIER RAM DZ 140020 DROERIVIER OOI DZ 140159 AFL 16.4 ILP 279 EPI 126 Lambd 7 Lams 13 Weaned 13

Growth			Reproduction			
Wn. Dir.	Wean Mat.	Post-Wn.	NLW	TWW	AFL	ILP
89	101	91	98	92	98	110
59%	46%	50%	36%	49%	32%	26%

Logix Merit Index	94	Birth Wt.	3.5kg
Growth Index	93	Wean Wt.	45kg (109)
Reproduction Index	100	Post-Wean	64.1kg (111)
		Mature Wt.	-
		ADG Ind.	-
		FCR Ind.	-
		Scrotum	-



SELLER REMARKS:

LOT 16 (M)



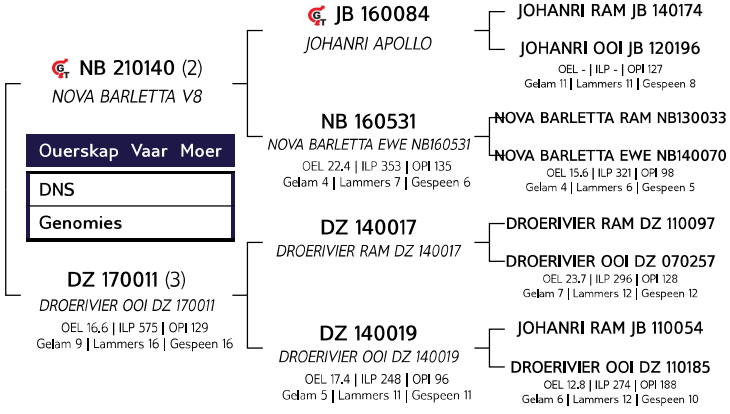
SWANTAU DORMERS

Klerksdorp, North West
0716843283
genadedal.plaas@icloud.com

ST 240110

SWANTAU RAM ST 240110

Kuddeboek	SP
Geb. dtm	2024-11-11
Oud.	1.3 jaar
Inteling	5.38%
Geb. Status	2
Nageslag	
Geen	



Groei			Reproduksie			
Spn. Dir.	Spn. Mat.	Na-Spn.	GLS	TWW	OEL	ILP
84	97	79	109	97	100	109
64%	56%	43%	46%	57%	44%	35%

Logix Meriete Indeks	95
Groei Indeks	86
Reproduksie Indeks	106

Geb. Gew.	4kg
Speen Gew.	36.9kg (95)
Na-Speen	-
Volw. Gew.	-
GDT Ind.	-
VOV Ind.	-
Skrotum	-

LOGIX
genetika
EBV Analise 2026-01-21

VERKOPER OPMERKINGS:

LOT 17 (M)



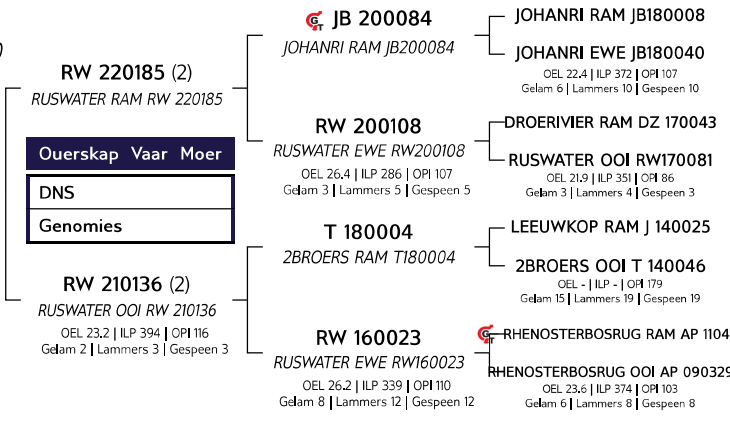
F.J. KRUGER

Potchefstroom, North West
0828591867
ruswater.kruger@gmail.com

RW 240120

RUSWATER RAM RW 240120

Kuddeboek	SP
Geb. dtm	2024-08-20
Oud.	1.5 jaar
Inteling	5.46%
Geb. Status	2
Nageslag	
Geen	



Groei			Reproduksie			
Spn. Dir.	Spn. Mat.	Na-Spn.	GLS	TWW	OEL	ILP
86	107	88	100	95	99	107
58%	45%	42%	34%	47%	32%	25%

Logix Meriete Indeks	96
Groei Indeks	93
Reproduksie Indeks	105

Geb. Gew.	3.9kg
Speen Gew.	37kg (109)
Na-Speen	-
Volw. Gew.	-
GDT Ind.	-
VOV Ind.	-
Skrotum	-

LOGIX
genetika
EBV Analise 2026-01-21

VERKOPER OPMERKINGS:

LOT 18 (M)



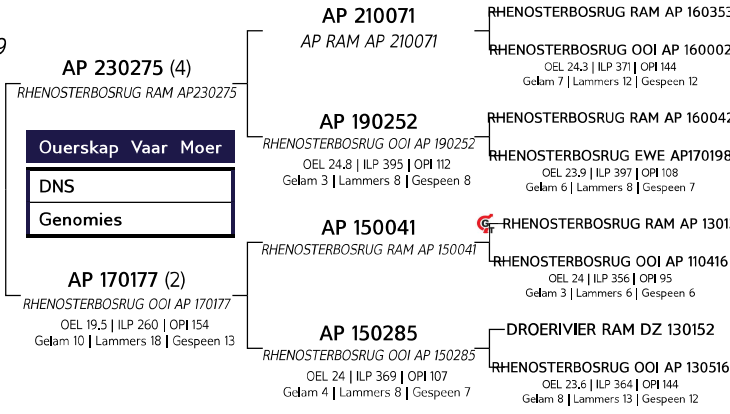
F.J. KRUGER

Potchefstroom, North West
0828591867
ruswater.kruger@gmail.com

RW 240099

RUSWATER RAM RW 240099

Kuddeboek	SP
Geb. dtm	2024-06-22
Oud.	1.6 jaar
Inteling	7.77%
Geb. Status	2
Nageslag	
Geen	



Groei			Reproduksie			
Spn. Dir.	Spn. Mat.	Na-Spn.	GLS	TWW	OEL	ILP
97	101	94	86	88	105	113
54%	44%	35%	34%	46%	26%	21%

Logix Meriete Indeks	97
Groei Indeks	101
Reproduksie Indeks	95

Geb. Gew.	4kg
Speen Gew.	28.8kg (126)
Na-Speen	-
Volw. Gew.	-
GDT Ind.	-
VOV Ind.	-
Skrotum	-

LOGIX
genetika
EBV Analise 2026-01-21

VERKOPER OPMERKINGS:

LOT 26 (F)



dormer



F.J. KRUGER



Potchefstroom, North West
0828591867
ruswater.kruger@gmail.com

RW 220043

RUSWATER OOI RW 220043

Herd Book	SP	
Birth date	2022-05-03	
Age	3.8 years	
Inbreeding	7.5%	
Birth Stat.	2	
AFL	ILP	EPI
23.9m	-	94
Lambled	1	
Lambs (Sucking)	1 (0)	
Weaned	1	

JB 190017 (1)
JOHANRI RAM JB190017

Parentage	Sire Dam
DNA	
Genomic	

RW 200110 (1)
RUSWATER EWE RW200110

AFL 20.9 | ILP - | EPI 86
Lambled 1 | Lambs 2 | Weaned 2

JP 170020
WELPIC RAM JP170020

W 140211
WESTLEY OOI W 140211
AFL 20 | ILP 421 | EPI 133
Lambled 10 | Lambs 14 | Weaned 13

T 180004
ZBROERS RAM T180004

RW 180074
RUSWATER OOI RW180074
AFL - | ILP 341 | EPI 133
Lambled 5 | Lambs 8 | Weaned 8

JOHANRI RAM JB 110054
WELPIC EWE JP150074
AFL 19.2 | ILP 367 | EPI 97
Lambled 5 | Lambs 9 | Weaned 9

TOP 3 GOLIAT
WESTLEY OOI W 100235
AFL 20.6 | ILP 310 | EPI 382
Lambled 12 | Lambs 33 | Weaned 31

LEEUEWKOP RAM J 140025
ZBROERS OOI T 140046
AFL - | ILP - | EPI 179
Lambled 15 | Lambs 19 | Weaned 19

DROERIVIER RAM DZ 160114

Growth			Reproduction			
Wn. Dir.	Wean Mat.	Post-Wn.	NLW	TWW	AFL	ILP
77	119	89	105	98	92	133
61%	55%	58%	42%	54%	40%	27%

Logix Merit Index 97

Growth Index 90

Reproduction Index 114

Birth Wt.	4kg
Wean Wt.	43kg (106)
Post-Wean	75kg (105)
Mature Wt.	-
ADG Ind.	-
FCR Ind.	-
Scrotum	-

LOGIX
genetics
EBV Analysis 2026-01-21

SELLER REMARKS: With Ram Lamb RW25-200 (Sire RW23-104)

LOT 27 (F)



dormer



LA ME DORMERS

Potchefstroom, North West
0726747333
theanakruger@gmail.com

RW 220144

RUSWATER OOI RW 220144

Herd Book	SP	
Birth date	2022-10-04	
Age	3.4 years	
Inbreeding	4.93%	
Birth Stat.	1	
AFL	ILP	EPI
28.3m	309d	85
Lambled	2	
Lambs (Sucking)	2 (1)	
Weaned	1	

NB 190462 (3)
NOVA BARLETTA RAM NB190462

Parentage	Sire Dam
DNA	
Genomic	

RW 210007 (1)
RUSWATER OOI RW 210007

AFL 16.6 | ILP 291 | EPI 86
Lambled 2 | Lambs 2 | Weaned 2

T 160050
ZBROERS RAM T 160050

NB 160035
NOVA BARLETTA OOI NB160035
AFL 20.2 | ILP 307 | EPI 122
Lambled 5 | Lambs 11 | Weaned 9

DZ 170043
DROERIVIER RAM DZ 170043

RW 170048
RUSWATER OOI RW170048
AFL 21 | ILP 297 | EPI 103
Lambled 7 | Lambs 11 | Weaned 11

ZBROERS RAM T 100177
ZBROERS OOI T 120148
AFL 23.7 | ILP 356 | EPI 142
Lambled 8 | Lambs 15 | Weaned 15

NOVA BARLETTA RAM NB130159
NOVA BARLETTA OOI NB 140045
AFL 23 | ILP 306 | EPI 83
Lambled 3 | Lambs 3 | Weaned 2

DROERIVIER RAM DZ 140017
DROERIVIER OOI DZ 150245
AFL 16.2 | ILP 449 | EPI 146
Lambled 10 | Lambs 18 | Weaned 18

KINKO RAM JS 140483
RHENOSTERBOSRUG OOI AP 090100
AFL 23.1 | ILP 361 | EPI 109
Lambled 7 | Lambs 10 | Weaned 9

Growth			Reproduction			
Wn. Dir.	Wean Mat.	Post-Wn.	NLW	TWW	AFL	ILP
91	90	87	111	100	120	110
62%	55%	58%	46%	56%	44%	33%

Logix Merit Index 103

Growth Index 90

Reproduction Index 111

Birth Wt.	4.4kg
Wean Wt.	33.4kg (89)
Post-Wean	48.2kg (101)
Mature Wt.	-
ADG Ind.	-
FCR Ind.	-
Scrotum	-

LOGIX
genetics
EBV Analysis 2026-01-21

SELLER REMARKS: Has been with DZ24-010 but too early to scan, comes with an additional straw of JB20-084 (ALFA)

LOT 28 (F)



dormer



LABARIE



Brakpan, Gauteng
0833241459
info@labarie.co.za

BFF 200067

BRONZE FIELDS EWE BFF200067

Herd Book	SP	
Birth date	2020-08-05	
Age	5.5 years	
Inbreeding	5%	
Birth Stat.	1	
AFL	ILP	EPI
24.2m	312d	116
Lambled	4	
Lambs (Sucking)	6 (0)	
Weaned	6	

BFF 160011 (2)
BRONZE FIELDS RAM BFF160011

Parentage	Sire Dam
DNA	
Genomic	

BFF 170078 (2)
BRONZE FIELDS EWE BFF170078

AFL 23 | ILP 353 | EPI 93
Lambled 2 | Lambs 3 | Weaned 3

CPG 140461
DORWALD RAM CPG 140461

BFF 140057
BRONZE FIELDS EWE BFF140057
AFL 21.4 | ILP 366 | EPI 89
Lambled 3 | Lambs 6 | Weaned 5

BFF 140017
BRONZE FIELDS RAM BFF140017

BFF 160093
BRONZE FIELDS EWE BFF160093
AFL 12.4 | ILP 346 | EPI 97
Lambled 3 | Lambs 5 | Weaned 5

DORWALD RAM CPG 130042
DORWALD OOI CPG 110196
AFL 15.5 | ILP 362 | EPI 118
Lambled 4 | Lambs 7 | Weaned 7

AAN-DE-VALLEI RAM DE100178
KINKO OOI JS 100387
AFL 19.5 | ILP 331 | EPI 107
Lambled 4 | Lambs 7 | Weaned 6

REMKUIL RAM JT 120249
BRONZE FIELDS OOI BFF120005
AFL 21.4 | ILP 359 | EPI 117
Lambled 6 | Lambs 10 | Weaned 10

BRONZE FIELDS RAM BFF140001
BRONZE FIELDS OOI BFF100131
AFL - | ILP 434 | EPI 118
Lambled 6 | Lambs 12 | Weaned 10

Growth			Reproduction			
Wn. Dir.	Wean Mat.	Post-Wn.	NLW	TWW	AFL	ILP
86	121	85	97	98	136	95
60%	63%	45%	43%	57%	36%	26%

Logix Merit Index 106

Growth Index 100

Reproduction Index 120

Birth Wt.	5.3kg
Wean Wt.	33.2kg (100)
Post-Wean	52.4kg (100)
Mature Wt.	-
ADG Ind.	-
FCR Ind.	-
Scrotum	-

LOGIX
genetics
EBV Analysis 2026-01-21

SELLER REMARKS: Sy is dragtig met 'n eenling van RW20-0080 (Voorspoed). Lamtyd enige tyd van 15 April 2026. Natuurlike dekking

LOT 35 (F)



dormer



DZ 200285

DROERIVIER OOI DZ 200285

Kuddeboek	SP	
Geb. dtm	2020-06-29	
Oud.	5.6 jaar	
Inteling	5.01%	
Geb. Status	3	
OEL	ILP	OPI
16.6m	406d	91
Gelam	4	
Lammers (Soog)	6 (0)	
Gespeen	5	

LABARIE



Brakpan, Gauteng
0833241459
info@labarie.co.za

DZ 190119 (2)
DROERIVIER RAM DZ 190119

Ouerskap Vaar Moer

DNS

Genomies

DZ 170275 (3)
DROERIVIER OOI DZ 170275
OEL - | ILP - | OPI 119
Gelam 15 | Lammers 15 | Gespeen 14

JP 170020
WELPIC RAM JP170020

DZ 150239
DROERIVIER OOI DZ 150239
OEL 16.1 | ILP 245 | OPI 110
Gelam 7 | Lammers 10 | Gespeen 10

DZ 140017
DROERIVIER RAM DZ 140017

DZ 160028
DROERIVIER OOI DZ 160028
OEL 13.8 | ILP 403 | OPI 125
Gelam 6 | Lammers 15 | Gespeen 15

JOHANRI RAM JB 110054
WELPIC EWE JP150074
OEL 19.2 | ILP 367 | OPI 97
Gelam 5 | Lammers 9 | Gespeen 9

DROERIVIER RAM DZ 100045
DROERIVIER OOI DZ 130057
OEL 24.4 | ILP 240 | OPI 176
Gelam 8 | Lammers 8 | Gespeen 18

DROERIVIER RAM DZ 110097
DROERIVIER OOI DZ 070257
OEL 23.7 | ILP 296 | OPI 128
Gelam 7 | Lammers 12 | Gespeen 12

DROERIVIER RAM DZ130284
DROERIVIER OOI DZ 140078
OEL 17.1 | ILP 318 | OPI 129
Gelam 7 | Lammers 13 | Gespeen 13

Groeï			Reproduksie			
Spn. Dir.	Spn. Mat.	Na-Spn.	GLS	TWW	OEL	ILP
102	78	97	112	102	108	123
68%	68%	44%	55%	65%	47%	37%

LOGIX
GENOMICS CENTRAL
EBV Analise 2026-01-21

Logix Meriete Indeks 105

Groeï Indeks 94

Reproduksie Indeks 104

Geb. Gew.	5kg
Speen Gew.	36.5kg (103)
Na-Speen	-
Volw. Gew.	-
GDT Ind.	-
VOV Ind.	-
Skrotum	-

VERKOPER OPMERKINGS: Sy is dragtig met 'n tweeling van RW22-0080 (Voor-spoed). Lam vanaf 15 April 2026. Natuurlike dekking.

LOT 36 (F)



dormer



BFF 210044

BRONZE FIELDS EWE BFF210044

Kuddeboek	SP	
Geb. dtm	2021-08-13	
Oud.	4.5 jaar	
Inteling	4.28%	
Geb. Status	3	
OEL	ILP	OPI
23.2m	296d	110
Gelam	3	
Lammers (Soog)	4 (0)	
Gespeen	4	

LABARIE



Brakpan, Gauteng
0833241459
info@labarie.co.za

JT 180661 (2)
REMKUIL RAM JT 180661

Ouerskap Vaar Moer

DNS

Genomies

BFF 170071 (1)
BRONZE FIELDS EWE BFF170071
OEL 23.4 | ILP 362 | OPI 100
Gelam 3 | Lammers 7 | Gespeen 5

DZ 160110
DROERIVIER RAM DZ 160110

JT 170359
REMKUIL OOI JT 170359
OEL 15.1 | ILP 459 | OPI 102
Gelam 4 | Lammers 6 | Gespeen 5

CPG 140461
DORWALD RAM CPG 140461

JS 100517
KINKO OOI JS 100517
OEL 24.3 | ILP 466 | OPI 117
Gelam 5 | Lammers 10 | Gespeen 7

JOHANRI RAM JB 130057 BOESMAN
DROERIVIER OOI DZ 120140
OEL 16.1 | ILP 289 | OPI 92
Gelam 4 | Lammers 6 | Gespeen 6

REMKUIL RAM JT 150031
REMKUIL OOI JT 140339
OEL 15.7 | ILP 365 | OPI 109
Gelam 4 | Lammers 8 | Gespeen 7

DORWALD RAM CPG 130042
DORWALD OOI CPG 110196
OEL 15.5 | ILP 362 | OPI 118
Gelam 4 | Lammers 7 | Gespeen 7

KINKO RAM JS 070706
KINKO OOI JS 090035
OEL 16.2 | ILP 237 | OPI 85
Gelam 3 | Lammers 4 | Gespeen 2

Groeï			Reproduksie			
Spn. Dir.	Spn. Mat.	Na-Spn.	GLS	TWW	OEL	ILP
100	113	105	78	88	104	99
64%	64%	54%	45%	60%	39%	28%

LOGIX
GENOMICS CENTRAL
EBV Analise 2026-01-21

Logix Meriete Indeks 98

Groeï Indeks 109

Reproduksie Indeks 95

Geb. Gew.	4.6kg
Speen Gew.	39.9kg (104)
Na-Speen	58.6kg (98)
Volw. Gew.	-
GDT Ind.	-
VOV Ind.	-
Skrotum	-

VERKOPER OPMERKINGS: Sy is dragtig met 'n eenling van RW20-0080 (Voor-spoed). Lamtyd enige tyd van 15 April 2026. Natuurlike dekking.

LOT 37 (F)



dormer



SWANTAU DORMERS



Klerksdorp, North West
0716843283
genadedal.plaas@icloud.com

DZ 240213

DROERIVIER OOI DZ 240213

. Kuddeboek	SP	
Geb. dtm	2024-05-29	
Oud.	1.7 jaar	
Inteling	9.63%	
Geb. Status	2	
OEL	ILP	OPI
15.2m	-	-
Gelam	1	
Lammers (Soog)	2 (0)	
Gespeen	0	

DZ 220159 (1)
DROERIVIER RASSIE

Ouerskap	Vaar	Moer
DNS		
Genomies		

DZ 210490 (2)
DROERIVIER OOI DZ 210490
OEL 23,5 | ILP 260 | OPI 113
Gelam 3 | Lammers 7 | Gespeen 6

DZ 210071
DROERIVIER RAM DZ 210071
2BROERS RAM T190243
DROERIVIER OOI DZ 190391
OEL 23,9 | ILP 417 | OPI 92
Gelam 5 | Lammers 8 | Gespeen 6

DZ 200223
DROERIVIER OOI DZ 200223
OEL 16,1 | ILP 241 | OPI 85
Gelam 2 | Lammers 2 | Gespeen 2
DROERIVIER RAM DZ 190103
DROERIVIER OOI DZ 190050
OEL 15,9 | ILP 245 | OPI 84
Gelam 2 | Lammers 4 | Gespeen 4

DZ 190350
DROERIVIER RAM DZ 190350
JOHANRI APOLLO
DROERIVIER OOI DZ 160219
OEL 15,4 | ILP 480 | OPI 116
Gelam 6 | Lammers 12 | Gespeen 12

DZ 200166
DROERIVIER OOI DZ 200166
OEL - | ILP - | OPI 121
Gelam 10 | Lammers 10 | Gespeen 10
DROERIVIER RAM DZ 190119
DROERIVIER EWE DZ 160006
OEL 13,9 | ILP 402 | OPI 116
Gelam 7 | Lammers 13 | Gespeen 12



EBV Analyse 2026-01-21

VERKOPER OPMERKINGS:

Groeï			Reproduksie			
Spn. Dir.	Spn. Mat.	Na-Spn.	GLS	TWW	OEL	ILP
106	101	103	101	104	116	113
60%	45%	28%	34%	48%	36%	25%

Logix Meriete Indeks	113
Groeï Indeks	109
Reproduksie Indeks	112

Geb. Gew.	4kg
Speen Gew.	46.5kg (100)
Na-Speen	-
Volw. Gew.	-
GDT Ind.	-
VOV Ind.	-
Skrotum	-

LOT 38 (F)



F.J. KRUGER



Potchefstroom, North West
0828591867
ruswater.kruger@gmail.com

RW 230306
RUSWATER OOI RW 230306

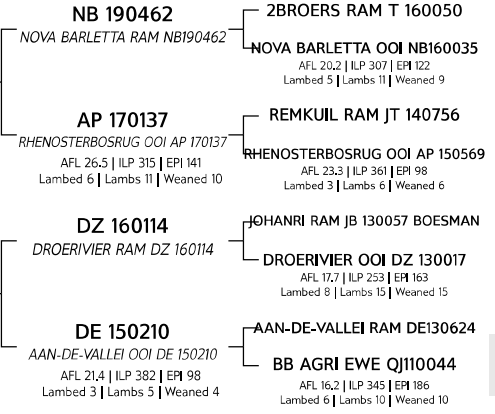
Herd Book	SP	
Birth date	2023-11-19	
Age	2.2 years	
Inbreeding	4.15%	
Birth Stat.	1	
AFL	ILP	EPI
-	-	-



RW 220073 (3)
RUSWATER RAM RW 220073

Parentage	Sire	Dam
DNA		
Genomic		

RW 180008 (2)
RUSWATER OOI RW180008
AFL 25.5 | ILP 370 | EPI 109
Lambded 5 | Lambs 8 | Weaned 6



Growth			Reproduction			
Wn. Dir.	Wean Mat.	Post-Wn.	NLW	TWW	AFL	ILP
105	117	103	105	112	108	108
54%	46%	38%	36%	47%	30%	24%

Logix Merit Index	118
Growth Index	116
Reproduction Index	121

Birth Wt.	5kg
Wean Wt.	38.7kg (105)
Post-Wean	-
Mature Wt.	-
ADG Ind.	-
FCR Ind.	-
Scrotum	-

SELLER REMARKS: With Ewe Lamb
RW26-86 (Sire RW24-54)

LOT 39 (F)



F.J. KRUGER



Potchefstroom, North West
0828591867
ruswater.kruger@gmail.com

RW 230011
RUSWATER OOI RW 230011

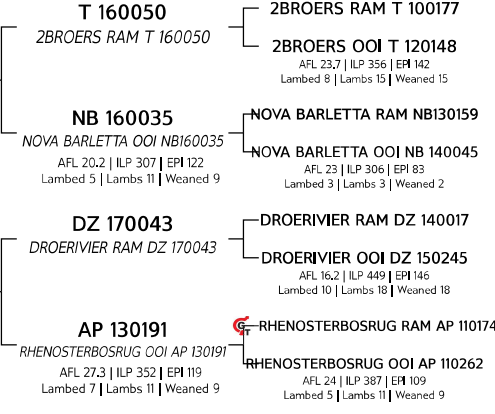
Herd Book	SP	
Birth date	2023-01-29	
Age	3 years	
Inbreeding	4.75%	
Birth Stat.	1	
AFL	ILP	EPI
27.5m	-	100



NB 190462 (3)
NOVA BARLETTA RAM NB190462

Parentage	Sire	Dam
DNA		
Genomic		

RW 210069 (2)
RUSWATER OOI RW 210069
AFL 20.4 | ILP 360 | EPI 97
Lambded 3 | Lambs 4 | Weaned 2



Growth			Reproduction			
Wn. Dir.	Wean Mat.	Post-Wn.	NLW	TWW	AFL	ILP
92	111	87	106	104	113	108
62%	55%	53%	46%	56%	45%	34%

Logix Merit Index	107
Growth Index	101
Reproduction Index	117

Birth Wt.	4.1kg
Wean Wt.	32.4kg (115)
Post-Wean	-
Mature Wt.	-
ADG Ind.	-
FCR Ind.	-
Scrotum	-

SELLER REMARKS: LAPA'd on the 11th
of Dec with DZ24-010, followed up with
DZ24-010

LOT 40 (F)



F.J. KRUGER



Potchefstroom, North West
0828591867
ruswater.kruger@gmail.com

RW 220189
RUSWATER OOI RW 220189

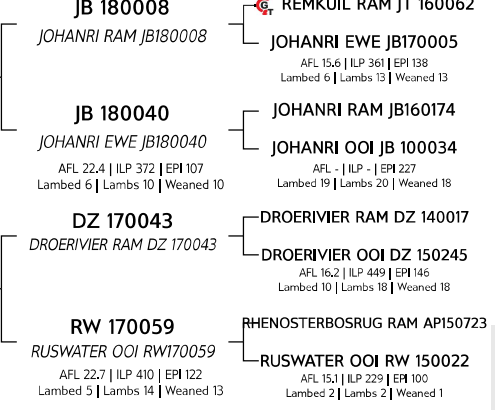
Herd Book	SP	
Birth date	2022-10-09	
Age	3.4 years	
Inbreeding	5.01%	
Birth Stat.	1	
AFL	ILP	EPI
28.3m	-	-



JB 200084 (2)
JOHANRI RAM JB200084

Parentage	Sire	Dam
DNA		
Genomic		

RW 200059 (2)
RUSWATER EWE RW200059
AFL 16.9 | ILP 291 | EPI 97
Lambded 3 | Lambs 4 | Weaned 3



Growth			Reproduction			
Wn. Dir.	Wean Mat.	Post-Wn.	NLW	TWW	AFL	ILP
95	99	99	103	99	97	106
62%	55%	54%	43%	55%	44%	30%

Logix Merit Index	100
Growth Index	97
Reproduction Index	104

Birth Wt.	6kg
Wean Wt.	40.2kg (107)
Post-Wean	49.5kg (104)
Mature Wt.	-
ADG Ind.	-
FCR Ind.	-
Scrotum	-

SELLER REMARKS: LAPA'd on the 11th
of Dec with DZ24-010, followed up with
DZ24-010

LOT 41 (F)



F.J. KRUGER



Potchefstroom, North West
0828591867
ruswater.kruger@gmail.com

RW 230285

RUSWATER OOI RW 230285

Kuddeboek	SP	
Geb. dtm	2023-11-06	
Oud.	2.3 jaar	
Inteling	5.41%	
Geb. Status	1	
OEL	ILP	OPI
15.8m	-	98
Gelam	1	
Lammers (Soog)	1 (0)	
Gespeen	1	

RW 220088 (2) RUSWATER RAM RW 220088
Ouerskap Vaar Moer
DNS
Genomies
RW 210069 (2) RUSWATER OOI RW 210069
OEL 20.4 ILP 360 OPI 97 Gelam 3 Lammers 4 Gespeen 2

JB 190017 JOHANRI RAM JB190017	WELPIC RAM JP170020
RW 200137 RUSWATER EWE RW200137	WESTLEY OOI W 140211
OEL 20.8 ILP 271 OPI 196 Gelam 6 Lammers 11 Gespeen 9	OEL 20 ILP 421 OPI 133 Gelam 10 Lammers 14 Gespeen 13
DZ 170043 DROERIVIER RAM DZ 170043	2BROERS RAM T180004
AP 130191 RHENOSTERBOSRUG OOI AP 130191	RUSWATER OOI RW180110
OEL 27.3 ILP 352 OPI 119 Gelam 7 Lammers 11 Gespeen 9	OEL 20.8 ILP 359 OPI 114 Gelam 5 Lammers 7 Gespeen 7
	DROERIVIER RAM DZ 140017
	DROERIVIER OOI DZ 150245
	OEL 16.2 ILP 449 OPI 146 Gelam 10 Lammers 18 Gespeen 18
	RHENOSTERBOSRUG RAM AP 110174
	RHENOSTERBOSRUG OOI AP 110262
	OEL 24 ILP 387 OPI 109 Gelam 5 Lammers 11 Gespeen 9

Groeï			Reproduksie			
Spn. Dir.	Spn. Mat.	Na-Spn.	GLS	TWW	OEL	ILP
85	116	88	99	97	108	105
55%	49%	42%	36%	48%	36%	25%



EBV Analise 2026-01-21

Logix Meriete Indeks	99	Geb. Gew.	6kg
Groeï Indeks	97	Speen Gew.	32.9kg (114)
Reproduksie Indeks	111	Na-Speen	-
		Volw. Gew.	-
		GDT Ind.	-
		VOV Ind.	-
		Skrotum	-

VERKOPER OPMERKINGS: LAPA'd on the 11th of Dec with DZ24-010, followed up with DZ24-010

LOT 42 (F)



LA ME DORMERS

Potchefstroom, North West
0726747333
theanakruger@gmail.com

RW 230138

RUSWATER OOI RW 230138

Kuddeboek	B	
Geb. dtm	2023-03-28	
Oud.	2.9 jaar	
Inteling	6.87%	
Geb. Status	2	
OEL	ILP	OPI
25.1m	-	-
Gelam	1	
Lammers (Soog)	1 (0)	
Gespeen	0	

ASJ 200132 (1) TOP 3 RAM ASJ 200132
Ouerskap Vaar Moer
DNS
Genomies
ASJ 190296 (1) TOP 3 OOI ASJ 190296
OEL 43.2 ILP - OPI 100 Gelam 1 Lammers 2 Gespeen 1

JP 180082 WELPIC RAM JP180082	WELPIC RAM JP170001
ASJ 160203 TOP 3 OOI ASJ 160203	WELPIC EWE JP160034
OEL 36.1 ILP 377 OPI 94 Gelam 2 Lammers 3 Gespeen 3	OEL 25.6 ILP 360 OPI 113 Gelam 7 Lammers 10 Gespeen 8
ASJ 180072 TOP 3 RAM ASJ180072	TOP 3 RAM ASJ140454
ASJ 170175 TOP 3 OOI ASJ 170175	TOP 3 OOI ASJ 120059
OEL 17.3 ILP 369 OPI - Gelam 4 Lammers 5 Gespeen 5	OEL 16.8 ILP 439 OPI 97 Gelam 4 Lammers 5 Gespeen 3
	TOP 3 RAM ASJ140395
	TOP 3 OOI ASJ 130319
	OEL 31.4 ILP 460 OPI 154 Gelam 5 Lammers 8 Gespeen 6
	DROERIVIER RAM DZ 100031
	TOP 3 OOI ASJ 120313
	OEL 19.8 ILP 512 OPI 113 Gelam 6 Lammers 7 Gespeen 5

Groeï			Reproduksie			
Spn. Dir.	Spn. Mat.	Na-Spn.	GLS	TWW	OEL	ILP
85	99	77	87	82	113	106
53%	39%	25%	28%	42%	28%	19%



EBV Analise 2026-01-21

Logix Meriete Indeks	88	Geb. Gew.	3.5kg
Groeï Indeks	88	Speen Gew.	30.6kg (100)
Reproduksie Indeks	94	Na-Speen	-
		Volw. Gew.	-
		GDT Ind.	-
		VOV Ind.	-
		Skrotum	-

VERKOPER OPMERKINGS: LAPA'd on the 11th of Dec with DZ24-010, followed up with DZ24-010

LOT 43 (F)



LABARIE



Brakpan, Gauteng
0833241459
info@labarie.co.za

BFF 210046

BRONZE FIELDS EWE BFF210046

Kuddeboek	SP	
Geb. dtm	2021-08-13	
Oud.	4.5 jaar	
Inteling	4.28%	
Geb. Status	3	
OEL	ILP	OPI
22.9m	308d	102
Gelam	3	
Lammers (Soog)	4 (0)	
Gespeen	3	

JT 180661 (2) REMKUIL RAM JT 180661
Ouerskap Vaar Moer
DNS
Genomies
BFF 170071 (1) BRONZE FIELDS EWE BFF170071
OEL 23.4 ILP 362 OPI 100 Gelam 3 Lammers 7 Gespeen 5

DZ 160110 DROERIVIER RAM DZ 160110	JOHANRI RAM JB 130057 BOESMAN
JT 170359 REMKUIL OOI JT 170359	DROERIVIER OOI DZ 120140
OEL 15.1 ILP 459 OPI 102 Gelam 4 Lammers 6 Gespeen 5	OEL 16.1 ILP 289 OPI 92 Gelam 4 Lammers 6 Gespeen 6
CPG 140461 DORWALD RAM CPG 140461	REMKUIL RAM JT 150031
JS 100517 KINKO OOI JS 100517	REMKUIL OOI JT 140339
OEL 24.3 ILP 466 OPI 117 Gelam 5 Lammers 10 Gespeen 7	OEL 15.7 ILP 365 OPI 109 Gelam 4 Lammers 8 Gespeen 7
	DORWALD RAM CPG 130042
	DORWALD OOI CPG 110196
	OEL 15.5 ILP 362 OPI 118 Gelam 4 Lammers 7 Gespeen 7
	KINKO RAM JS 070706
	KINKO OOI JS 090035
	OEL 16.2 ILP 237 OPI 85 Gelam 3 Lammers 4 Gespeen 2

Groeï			Reproduksie			
Spn. Dir.	Spn. Mat.	Na-Spn.	GLS	TWW	OEL	ILP
94	120	104	82	91	101	100
63%	61%	53%	44%	58%	38%	31%



EBV Analise 2026-01-21

Logix Meriete Indeks	98	Geb. Gew.	3.4kg
Groeï Indeks	107	Speen Gew.	30.3kg (79)
Reproduksie Indeks	101	Na-Speen	58.6kg (98)
		Volw. Gew.	-
		GDT Ind.	-
		VOV Ind.	-
		Skrotum	-

VERKOPER OPMERKINGS: Sy is dragtig met 'n eenling van RW20-0080 (Voor-spoed). Lamtyd enige tyd van 15 April 2026. Natuurlike dekking.

LOT 44 (F)



LP 230058

LABARIE EWE LP230058

Herd Book	SP
Birth date	2023-07-21
Age	2.6 years
Inbreeding	4.22%
Birth Stat.	2

AFL	ILP	EPI
19.8m	-	-

Lambled	1
Lambs (Sucking)	2 (0)
Weaned	0

LABARIE



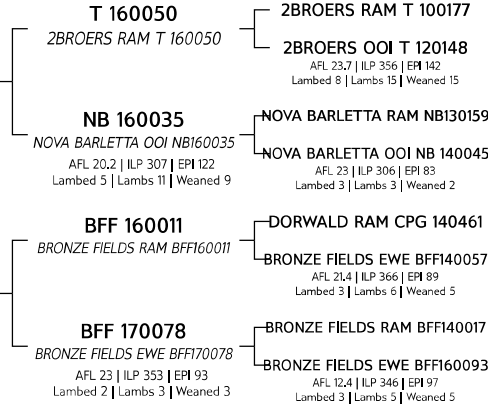
Brakpan, Gauteng
0833241459
info@labarie.co.za

NB 190462 (3)
NOVA BARLETTA RAM NB190462

Parentage	Sire Dam
DNA	
Genomic	

BFF 200067 (1)
BRONZE FIELDS EWE BFF200067

AFL 24.2 | ILP 312 | EPI 116
Lambled 4 | Lambs 6 | Weaned 6



EBV Analysis 2026-01-21

Growth			Reproduction			
Wn. Dir.	Wean Mat.	Post-Wn.	NLW	TWW	AFL	ILP
94	111	90	107	106	120	107
61%	55%	55%	43%	55%	45%	30%

Logix Merit Index	111
Growth Index	103
Reproduction Index	120

Birth Wt.	6kg
Wean Wt.	35.4kg (121)
Post-Wean	64.7kg (108)
Mature Wt.	82.6kg
ADG Ind.	-
FCR Ind.	-
Scrotum	-

SELLER REMARKS: Sy is dragtig met 'n tweeling van JP22-0089 (Bismarck). Lamtyd enige tyd van 15 April 2026. Natuurlike dekking.

LOT 45 (F)



DZ 240147

DROERIVIER OOI DZ 240147

Herd Book	SP
Birth date	2024-05-26
Age	1.7 years
Inbreeding	9.65%
Birth Stat.	2

AFL	ILP	EPI
15.4m	-	-

Lambled	1
Lambs (Sucking)	1 (0)
Weaned	0

SWANTAU DORMERS



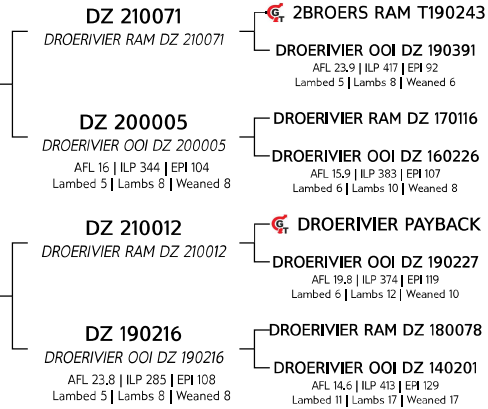
Klerksdorp, North West
0716843283
genadedal.plaas@icloud.com

DZ 220115 (2)
DROERIVIER BEER

Parentage	Sire Dam
DNA	
Genomic	

DZ 220429 (2)
DROERIVIER OOI DZ 220429

AFL 19.1 | ILP 310 | EPI 108
Lambled 2 | Lambs 4 | Weaned 4



EBV Analysis 2026-01-21

Growth			Reproduction			
Wn. Dir.	Wean Mat.	Post-Wn.	NLW	TWW	AFL	ILP
104	114	104	86	97	104	99
59%	45%	25%	33%	48%	36%	25%

Logix Merit Index	105
Growth Index	113
Reproduction Index	102

Birth Wt.	3kg
Wean Wt.	43.8kg (99)
Post-Wean	-
Mature Wt.	-
ADG Ind.	-
FCR Ind.	-
Scrotum	-

SELLER REMARKS:

LOT 46 (F)



RW 230073

RUSWATER OOI RW 230073

Herd Book	SP
Birth date	2023-02-01
Age	3 years
Inbreeding	4.23%
Birth Stat.	2

AFL	ILP	EPI
27.6m	-	-

Lambled	1
Lambs (Sucking)	1 (0)
Weaned	0

F.J. KRUGER



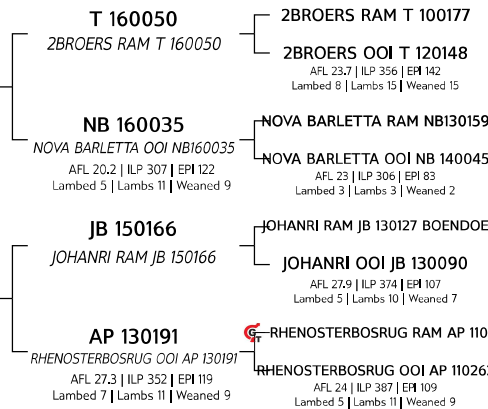
Potchefstroom, North West
0828591867
ruswater.kruger@gmail.com

NB 190462 (3)
NOVA BARLETTA RAM NB190462

Parentage	Sire Dam
DNA	
Genomic	

RW 170064 (2)
RUSWATER OOI RW170064

AFL 17.3 | ILP 300 | EPI 116
Lambled 7 | Lambs 10 | Weaned 10



EBV Analysis 2026-01-21

Growth			Reproduction			
Wn. Dir.	Wean Mat.	Post-Wn.	NLW	TWW	AFL	ILP
89	106	86	106	100	109	99
63%	58%	51%	47%	57%	43%	32%

Logix Merit Index	101
Growth Index	95
Reproduction Index	111

Birth Wt.	5kg
Wean Wt.	32kg (114)
Post-Wean	-
Mature Wt.	-
ADG Ind.	-
FCR Ind.	-
Scrotum	-

SELLER REMARKS: LAPA'd on the 11th of Dec with DZ24-010, followed up with DZ24-010

LOT 47 (F)



F.J. KRUGER



Potchefstroom, North West
0828591867
ruswater.kruger@gmail.com

RW 230152

RUSWATER OOI RW 230152

. Kuddeboek	SP	
Geb. dtm	2023-07-18	
Oud.	2.6 jaar	
Inteling	6%	
Geb. Status	1	
OEL	ILP	OPI
21.4m	-	-
Gelam	1	
Lammers (Soog)	1 (0)	
Gespeen	0	

NB 190462 (3)
NOVA BARLETTA RAM NB190462

Ouerskap	Vaar Moer
DNS	
Genomies	

RW 210161 (1)
RUSWATER OOI RW 210161

OEL 13.5 | ILP 284 | OPI 98
Gelam 2 | Lammers 2 | Gespeen 2

T 160050
2BROERS RAM T 160050

NB 160035
NOVA BARLETTA OOI NB160035
OEL 20.2 | ILP 307 | OPI 122
Gelam 5 | Lammers 11 | Gespeen 9

T 180004
2BROERS RAM T180004

RW 170087
RUSWATER OOI RW170087
OEL 22.1 | ILP 254 | OPI 86
Gelam 4 | Lammers 5 | Gespeen 3

2BROERS RAM T 100177
2BROERS OOI T 120148
OEL 23.7 | ILP 356 | OPI 142
Gelam 8 | Lammers 15 | Gespeen 15

NOVA BARLETTA RAM NB130159
NOVA BARLETTA OOI NB 140045
OEL 23 | ILP 306 | OPI 83
Gelam 3 | Lammers 3 | Gespeen 2

LEEUEWKOP RAM J 140025
2BROERS OOI T 140046
OEL - | ILP - | OPI 179
Gelam 15 | Lammers 19 | Gespeen 19

JOHANRI RAM JB 150166
RUSWATER OOI RW140001
OEL - | ILP 374 | OPI 100
Gelam 3 | Lammers 5 | Gespeen 5

Groeï			Reproduksie			
Spn. Dir.	Spn. Mat.	Na-Spn.	GLS	TWW	OEL	ILP
88	111	86	100	97	112	114
62%	54%	51%	45%	55%	46%	32%

Logix Meriete Indeks 101

Groeï Indeks 97

Reproduksie Indeks 112

Geb. Gew.	3.7kg
Speen Gew.	44.1kg (134)
Na-Speen	-
Volw. Gew.	-
GDT Ind.	-
VOV Ind.	-
Skrotum	-

LOGIX
GENETICS OPTIMISATION
EBV Analyse 2026-01-21

VERKOPER OPMERKINGS: LAPA'd on the 11th of Dec with DZ24-010, followed up with DZ24-010

LOT 48 (F)



F.J. KRUGER



Potchefstroom, North West
0828591867
ruswater.kruger@gmail.com

RW 220039

RUSWATER OOI RW 220039

. Kuddeboek	SP	
Geb. dtm	2022-05-02	
Oud.	3.8 jaar	
Inteling	6.48%	
Geb. Status	2	
OEL	ILP	OPI
24m	289d	108
Gelam	2	
Lammers (Soog)	3 (0)	
Gespeen	2	

JB 190017 (1)
JOHANRI RAM JB190017

Ouerskap	Vaar Moer
DNS	
Genomies	

RW 190065 (2)
RUSWATER EWE RW190065

OEL 22.1 | ILP 342 | OPI 134
Gelam 5 | Lammers 10 | Gespeen 9

JP 170020
WELPIC RAM JP170020

W 140211
WESTLEY OOI W 140211
OEL 20 | ILP 421 | OPI 133
Gelam 10 | Lammers 14 | Gespeen 13

DZ 170043
DROERIVIER RAM DZ 170043

RW 170115
RUSWATER OOI RW170115
OEL 20.6 | ILP 347 | OPI 94
Gelam 3 | Lammers 5 | Gespeen 5

JOHANRI RAM JB 110054
WELPIC EWE JP150074
OEL 19.2 | ILP 367 | OPI 97
Gelam 5 | Lammers 9 | Gespeen 9

TOP 3 GOLIAT
WESTLEY OOI W 100235
OEL 20.6 | ILP 310 | OPI 382
Gelam 12 | Lammers 33 | Gespeen 31

DROERIVIER RAM DZ 140017
DROERIVIER OOI DZ 150245
OEL 16.2 | ILP 449 | OPI 146
Gelam 10 | Lammers 18 | Gespeen 18

JOHANRI RAM JB 150166
RHENOSTERBOSRUG OOI AP 090401
OEL 20.3 | ILP 395 | OPI 116
Gelam 7 | Lammers 11 | Gespeen 11

Groeï			Reproduksie			
Spn. Dir.	Spn. Mat.	Na-Spn.	GLS	TWW	OEL	ILP
85	98	90	106	95	99	107
62%	57%	58%	43%	56%	40%	31%

Logix Meriete Indeks 94

Groeï Indeks 88

Reproduksie Indeks 104

Geb. Gew.	4.9kg
Speen Gew.	46kg (114)
Na-Speen	79.7kg (112)
Volw. Gew.	-
GDT Ind.	-
VOV Ind.	-
Skrotum	-

LOGIX
GENETICS OPTIMISATION
EBV Analyse 2026-01-21

VERKOPER OPMERKINGS: With Ewe Lamb RW25-213(Sire HE23-202)

LOT 49 (F)



F.J. KRUGER



Potchefstroom, North West
0828591867
ruswater.kruger@gmail.com

RW 230184

RUSWATER OOI RW 230184

. Kuddeboek	SP	
Geb. dtm	2023-07-20	
Oud.	2.6 jaar	
Inteling	6.29%	
Geb. Status	2	
OEL	ILP	OPI
18.9m	-	111
Gelam	1	
Lammers (Soog)	2 (0)	
Gespeen	2	

NB 190462 (3)
NOVA BARLETTA RAM NB190462

Ouerskap	Vaar Moer
DNS	
Genomies	

RW 200131 (1)
RUSWATER EWE RW200131

OEL 17.4 | ILP 276 | OPI 134
Gelam 4 | Lammers 6 | Gespeen 6

T 160050
2BROERS RAM T 160050

NB 160035
NOVA BARLETTA OOI NB160035
OEL 20.2 | ILP 307 | OPI 122
Gelam 5 | Lammers 11 | Gespeen 9

T 180004
2BROERS RAM T180004

RW 180036
RUSWATER OOI RW180036
OEL 17.3 | ILP 293 | OPI 116
Gelam 3 | Lammers 8 | Gespeen 8

2BROERS RAM T 100177
2BROERS OOI T 120148
OEL 23.7 | ILP 356 | OPI 142
Gelam 8 | Lammers 15 | Gespeen 15

NOVA BARLETTA RAM NB130159
NOVA BARLETTA OOI NB 140045
OEL 23 | ILP 306 | OPI 83
Gelam 3 | Lammers 3 | Gespeen 2

LEEUEWKOP RAM J 140025
2BROERS OOI T 140046
OEL - | ILP - | OPI 179
Gelam 15 | Lammers 19 | Gespeen 19

RHENOSTERBOSRUG RAM AP150723
KINKO OOI JS 120009
OEL 20.3 | ILP 281 | OPI 143
Gelam 7 | Lammers 13 | Gespeen 10

Groeï			Reproduksie			
Spn. Dir.	Spn. Mat.	Na-Spn.	GLS	TWW	OEL	ILP
89	104	82	112	104	110	116
63%	57%	53%	46%	57%	47%	33%

Logix Meriete Indeks 106

Groeï Indeks 95

Reproduksie Indeks 117

Geb. Gew.	3.7kg
Speen Gew.	33.1kg (101)
Na-Speen	-
Volw. Gew.	-
GDT Ind.	-
VOV Ind.	-
Skrotum	-

LOGIX
GENETICS OPTIMISATION
EBV Analyse 2026-01-21

VERKOPER OPMERKINGS: LAPA'd on the 11th of Dec with DZ24-010, followed up with DZ24-010

LOT 50 (F)



LBR 240035

LABARIE EWE LBR240035

Herd Book	SP	
Birth date	2024-05-28	
Age	1.7 years	
Inbreeding	5.54%	
Birth Stat.	2	
AFL	ILP	EPI
-	-	-

LABARIE



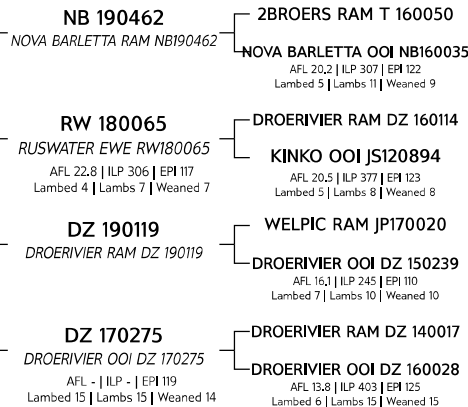
Brakpan, Gauteng
0833241459
info@labarie.co.za

RW 220080 (1)
RUSWATER VOORSPOED

Parentage	Sire Dam
DNA	
Genomic	

DZ 200285 (3)
DROERIVIER OOI DZ 200285

AFL 16.6 | ILP 406 | EPI 91
Lambded 4 | Lambs 6 | Weaned 5



Growth			Reproduction			
Wn. Dir.	Wean Mat.	Post-Wn.	NLW	TWW	AFL	ILP
97	92	95	112	104	111	117
58%	46%	36%	36%	48%	33%	25%

Logix Merit Index 107

Growth Index 96

Reproduction Index 112

Birth Wt.	4kg
Wean Wt.	28.7kg (97)
Post-Wean	-
Mature Wt.	-
ADG Ind.	-
FCR Ind.	-
Scrotum	-



SELLER REMARKS: Sy is dragtig met 'n eenling van Bismarck (JP22-0089). Lam enige tyd vanaf 15 April 2026. Natuurlike dekking.

LOT 51 (F)



RW 230034

RUSWATER OOI RW 230034

Herd Book	SP	
Birth date	2023-01-31	
Age	3 years	
Inbreeding	6.1%	
Birth Stat.	2	
AFL	ILP	EPI
24.4m	-	121
Lambded	1	
Lambs (Sucking)	2 (0)	
Weaned	2	

F.J. KRUGER



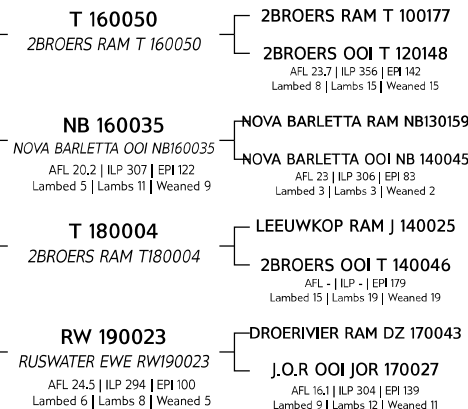
Potchefstroom, North West
0828591867
ruswater.kruger@gmail.com

NB 190462 (3)
NOVA BARLETTA RAM NB190462

Parentage	Sire Dam
DNA	
Genomic	

RW 210075 (1)
RUSWATER OOI RW 210075

AFL 20.5 | ILP 383 | EPI 143
Lambded 3 | Lambs 5 | Weaned 5



Growth			Reproduction			
Wn. Dir.	Wean Mat.	Post-Wn.	NLW	TWW	AFL	ILP
89	110	81	105	101	111	114
63%	56%	53%	46%	56%	47%	33%

Logix Merit Index 104

Growth Index 97

Reproduction Index 115

Birth Wt.	3kg
Wean Wt.	28.7kg (102)
Post-Wean	-
Mature Wt.	-
ADG Ind.	-
FCR Ind.	-
Scrotum	-



SELLER REMARKS: With Ewe Lamb RW26-087 (Sire RW24-006)

EXPLANATION OF CATALOGUE ABBREVIATIONS

VERDUIDELIKING VAN KATALOGUS AFKORTINGS

	LOT	LOT
Animal sex: M - Male, F - Female	M / F	M / V
Estimated breeding value	EBV	EBV
Animal identification number	ID	ID
Herd Book Section (SEC)	Herd Book	Kuddeboek
SEC: Pending Registration	PEN	PEN
SEC: Not for Registration	NFR	NFR
SEC: Foundation Generation	FO	FO
SEC: Appendix A	A	A
SEC: Appendix B	B	B
SEC: Studbook Proper, a registered animal	SP	SP
Age in years	AGE	OU.D.
Animal is a singleton, Twin, Triplet etc.	Birth Stat.	Geb. Status
Age at First Lambing	AFL	OEL
Inter-Lambing Period	ILP	ILP
Ewe Production Index	EPI	OPI
Number of times lambed	Lambled	Gelam
Number of lambs born	Lambs	Lammers
Number of lambs weaned	Weaned	Gespeen
Percentage verification	Percentage	Ouerskap
Microsatellite parentage verification	DNA	DNS
Microsatellite parentage verification	DNA	DNS
Genomic Testing via SNPs	Genomic	Genomies
Genomically Tested	GT	GT
Logix Merit Index	LMI	LMI
Growth Index	GI	GI
Reproduction Index	RI	RI
Wean Direct breeding value	Wean Dir.	Spn. Dir.
Wean Maternal breeding value	Wean Mat.	SPn. Mat.
Post-Wean breeding value	Post-Wn.	Na-pn.
Number of Lambs Weaned breeding value	NLW	GLS
Total Weight Weaned breeding value	TWW	TWW
Average Daily Gain (g/day)	ADG	GDT
Feed Conversion Ratio (kg:kg)	FCR	VOV

COMMERCIAL RAMS

LOT 19 - RW24-0138

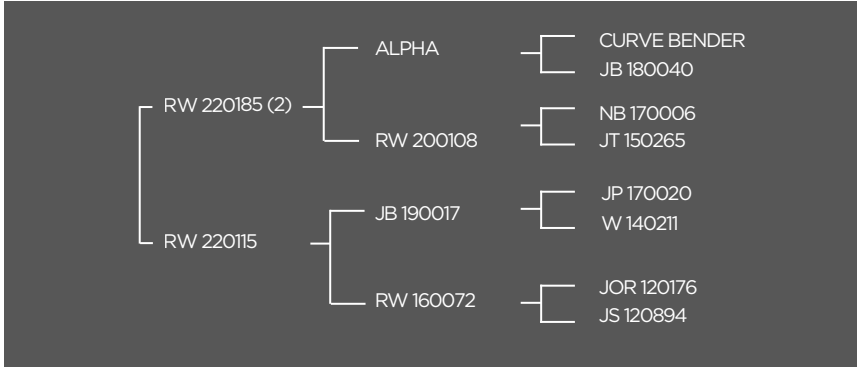


100 LOGIX MERIT INDEX

94 GROWTH INDEX

104 REPRODUCTION INDEX

BIRTH STAT. TWIN (1.5 YEARS)



LOT 20 - LAM24-0153

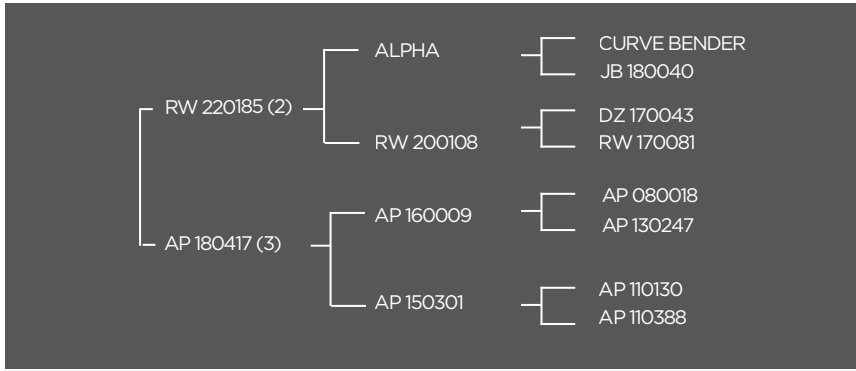


106 LOGIX MERIT INDEX

104 GROWTH INDEX

109 REPRODUCTION INDEX

BIRTH STAT. TRIPLET (1.5 YEARS)



LOT 21 - ST24-0127

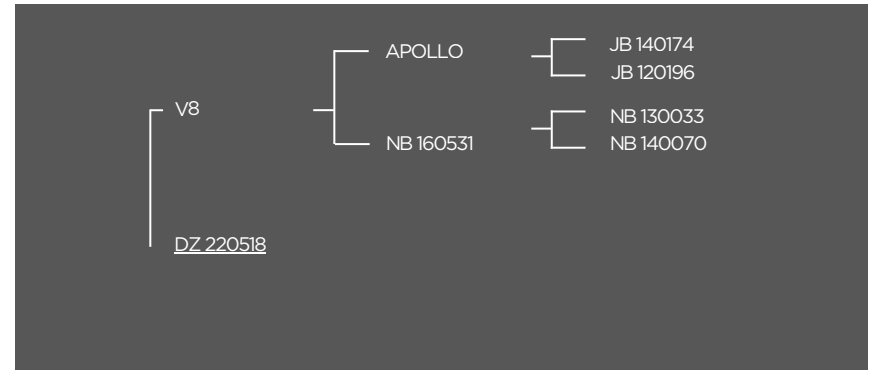


91 LOGIX MERIT INDEX

84 GROWTH INDEX

108 REPRODUCTION INDEX

BIRTH STAT. TWIN (1.3 YEARS)



COMMERCIAL RAMS

LOT 22 - RW24-0117



99

LOGIX MERIT INDEX

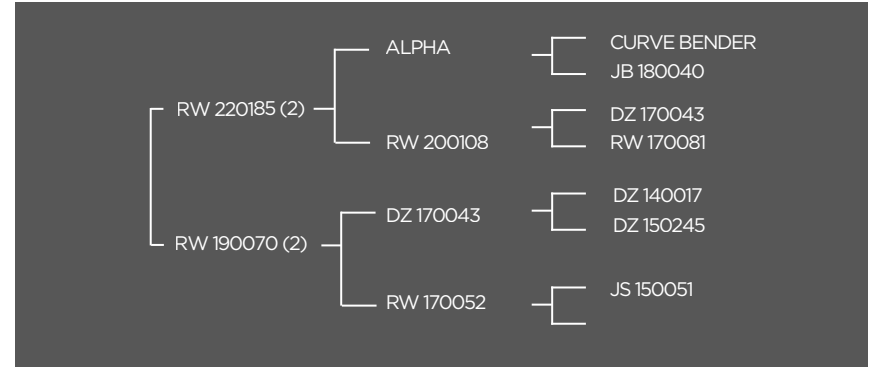
128

INTER-LAMB PERIOD

116

REPRODUCTION INDEX

BIRTH STAT. TRIPLET (1.5 YEARS)



LOT 23- LAM24-158



94

LOGIX MERIT INDEX

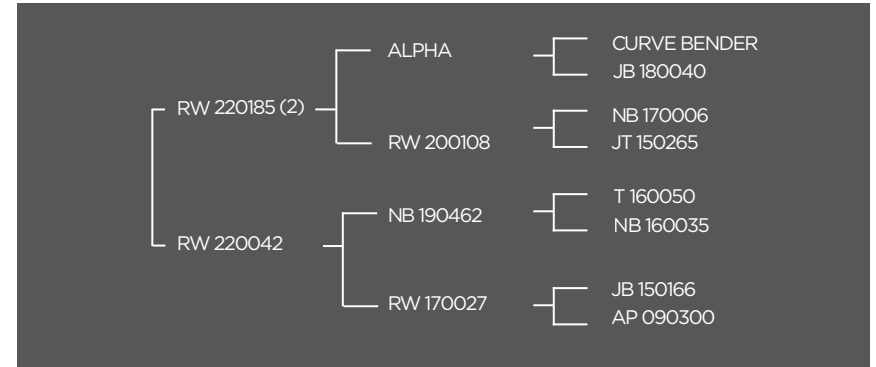
86

GROWTH INDEX

107

REPRODUCTION INDEX

BIRTH STAT. TWIN (1.5 YEARS)



LOT 24 - ST24-0122

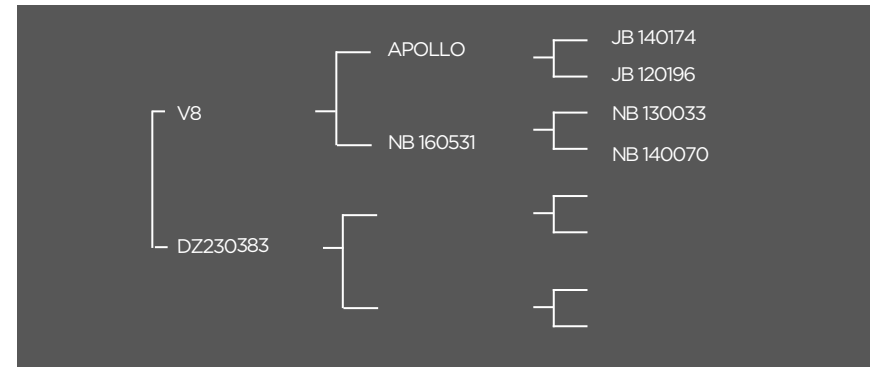


LOGIX MERIT INDEX

GROWTH INDEX

REPRODUCTION INDEX

BIRTH STAT. TWIN (1.3 YEARS)



COMMERCIAL RAMS

LOT 25 - LAM24-159



83

LOGIX MERIT INDEX

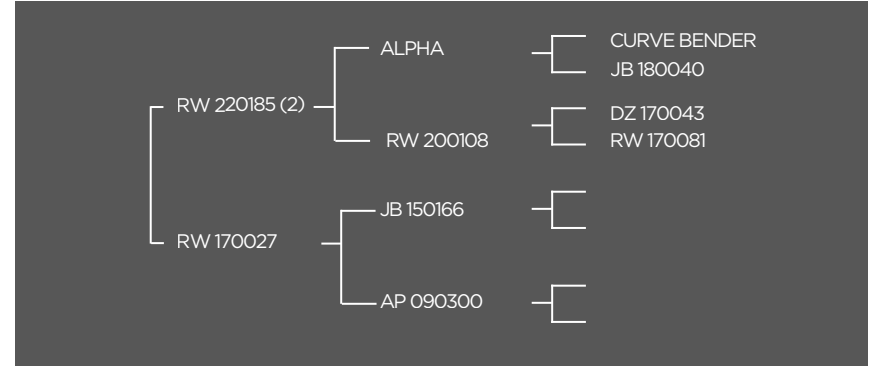
81

GROWTH INDEX

99

REPRODUCTION INDEX

BIRTH STAT. SINGLE (1.5 YEARS)



COMMERCIAL EWES

LOT	DIERE	PAKKIE	STATUS	OPMERKING
52	SWANTAU	1		T24-592
53	GOEDERTROU DORMERS	1		RW22-005
54	HOOGLAND BOERDERY	5	OOP	
55	SWANTAU	6		4 TAND OOIE
56	WYNBOOM BOERDERY DORMERS	5	DRAGTIG	WISSEL OOIE
57	BLINKSTER BOERDERY	5		LOOP 2 MAANDE BY STOET RAM
58	KASSIE	5	GEM GEWIG - 57KG	OOI LAMMERS - GEBORE Jun 2025
59	HOOGLAND BOERDERY	5	OOP	
60	HOOGLAND BOERDERY	5	OOP	
61	WYNBOOM BOERDERY DORMERS	5	OOP	
62	WYNBOOM BOERDERY DORMERS	5	OOP	
63	BLINKSTER BOERDERY	5	OOP	OOP JONG OOIE
64	BLINKSTER BOERDERY	5	OOP	OOP JONG OOIE
65	SWANTAU	5		2 TAND OOIE
66	SWANTAU	5		2 TAND OOIE
67	KASSIE	5	GEM GEWIG - 55KG	OOI LAMMERS - GEBORE Jun 2025
68	KASSIE	5	GEM GEWIG - 53KG	OOI LAMMERS - GEBORE Jun 2025
69	HOOGLAND BOERDERY	5	OOP	
70	WYNBOOM BOERDERY DORMERS	5	OOP	
71	WYNBOOM BOERDERY DORMERS	5	OOP	
72	SWANTAU	4		2 TAND OOIE
73	SWANTAU	5		2 TAND OOIE

RULE OF AUCTION TERMS AND CONDITIONS

1. This auction will be held under the control of BKB Limited whether directly or through a subsidiary company (hereinafter referred to as "the Auctioneer or BKB") with business premises situated at 63 Grahamstown Road North End Gqeberha:
2. The Auctioneer is hereby appointed by the Purchaser and Seller to act for and on behalf of the Purchaser and Seller as agent in accordance with section 54 of the Value Added Tax Act 1991, in respect of all tax invoices, credit and/or debit notes in respect of all livestock, game and/or goods offered at the auction or any costs of transport and insurance premiums paid for on behalf of the Purchaser and/or the Seller.
3. The rules of this auction shall comply with the provisions of Section 45 and all relevant regulations to the Consumer Protection Act 68 of 2008.
4. For greater clarity Section 45(1-4) states as follows:
 - 4.1 In this section, "auction" includes a sale in execution of or pursuant to a court order, to the extent that the order contemplates that the sale is to be conducted by an auction.
 - 4.2 When goods are put up for sale by auction, each lot is, unless there is evidence to the contrary, regarded to be the subject of a separate transaction.
 - 4.3 A sale by auction is completed when the auctioneer announces its completion by the fall of the hammer, or in any other customary manner, and until that announcement is made, a bid may be retracted.
 - 4.4 Notice must be given in advance that a sale by auction is subject to:
 - 4.4.1 A reserved or upset price; or
 - 4.4.2 A right to bid by or on behalf of the owner or Auctioneer, in which case the owner or Auctioneer, or any one person on behalf of the owner or Auctioneer may bid at the auction.
5. Until the fall of the hammer as contemplated in Section 45(3) of the Act, any bid may be retracted or declined by the Auctioneer if not compliant with the regulations of the Consumer Protection Act.
6. The auction is further subject to the APAC Biosecurity Rules for Livestock Agents published in Board Notice 135 of 2020. These rules can be accessed at www.bkb.co.za.
7. Unless so stated by the Auctioneer prior to commencement of the auction, the auction is not an absolute auction but subject to reserved prices settled by the Sellers and as pointed out by the Auctioneer prior to the sale of the specific asset or lot.
8. The Auctioneer provides no guarantee and makes no representation regarding sale prices and unless the Auctioneer's mandate states otherwise, the Sellers have the option to withdraw lots from the auction where reserve prices are not obtained. The Seller shall instruct the Auctioneer in this regard who shall announce the Seller's decision after bidding has closed relating to a relevant lot.
9. The auction shall take place at the date and time as advertised or published and will not be postponed or delayed, enabling any member or group of the public to partake in the auction.
10. Should the Auctioneer become aware of any fault on advertising material or any other publication or amendment to these Rules of Auction, the Auctioneer will prior to the auction point out and when necessary, amend such mistakes in the advertisement or publication.
11. Any person attending the auction to enter a bid, must prior to the auction register as a buyer on the bidders' roll and provide documentation that identifies the bidder as prescribed by FICA and the Risk Management Compliance Program (RMCP) adopted and amended by BKB from time to time. The RMCP can be accessed at www.bkb.co.za. The purchaser shall sign the bidders' roll.
12. Any person who attends the auction to enter a bid on behalf of another person must be duly authorised thereto by means of a written letter of authority from its principal and such a person together with his principal must provide both all necessary information as required by FICA and the RMCP regarding proof of their identity. The bidders' roll must be signed by such a person who will also sign on behalf of its principal duly authorised to do so.
13. Where the principal is a company the letters of authority shall appear on the letterhead of the company together with a certified copy of a resolution authorising the person to bid on behalf of the company

and to sign the bidder's roll on behalf of the principal. (For purposes of this rule any reference to a company will include any reference to juristic person including partnerships, trusts or incorporated entities)

14. All bidders have a right to inspect all goods put up for sale and the auctioneer shall provide reasonable time and access prior to the start of the auction for such an inspection.
15. All livestock is sold "voetstoots" and the purchasers do not enjoy the protection of Section 55 and 56 of the Consumer Protection Act.
16. Any information provided regarding the quality, breeding, age, date of insemination, condition, reproductive status or any information regarding health, production or mass or any other aspect of the livestock, is provided by the Seller and any misrepresentation by the Seller is without the cooperation or knowledge of the Auctioneer. Any right of recourse as a result of such misrepresentation shall be against the Seller who indemnifies the Auctioneer against any claim or damages suffered and the Purchaser nor registered buyers shall have any claim against the Auctioneer.
17. Any bid made does not include VAT which, where applicable, will be added to the bidding price for which a VAT invoice will be issued.
18. The purchase price, Auctioneer's commissions (if payable by the purchaser), all statutory levies, the transport costs (if any) and the insurance costs (if any) are immediately payable in cash by the purchaser to the Auctioneer upon entering into the transaction or payable by EFT within an agreed time period thereafter if so agreed before the auction. Any payment made in cash is further subject to cash or any other handling fees.
19. Should the purchaser not pay the purchase price on finalisation of the auction and fail to make arrangements for payment with the Auctioneer, then the Auctioneer may cancel the sale and treat the assets or lots as unsold lots which may again be presented on the auction for sale or be sold out of hand by means of liaison services, depending on the Seller's mandate to the auctioneer.
20. In the event that purchaser has made necessary finance arrangements with the Auctioneer or payment of the purchase price is only due within an agreed time period after the auction, the Purchaser hereby authorises the Auctioneer/BKB to pay the purchase price and/or costs of transport and/or cost of insurance and any other agreed cost on behalf of the purchaser to the Seller and other service providers. In such an event, payment of the purchase price is due by the Purchaser to BKB either on the expiry of the agreed time period calculated from the date of finalisation of the auction or on the terms of repayment agreed with the purchaser in a separate credit agreement or sale agreement entered into between the purchaser and the Auctioneer. Should the purchaser however fail to make payment within the agreed time, the Auctioneer will be entitled to add interest calculated at the current bank prime rate, plus 5% (five percent) from the due date to date of payment to the capital amount outstanding. The interest will be calculated monthly and capitalised.
21. All payments made by the Auctioneer to the Seller on behalf of the Purchaser in terms of this clause will be made no later than 5 (five) working days calculated from finalisation of the auction.
22. Where BKB lent and advanced monies to the purchaser for payment of the purchase price of any goods or livestock or payment of any transport costs or insurance premiums, no defense of whatsoever nature which the Purchaser may raise against the Seller or the transport contractor or the insurance company may be raised against BKB and the Purchaser shall still be obligated to pay all amounts owing, together with further interest and costs thereon raised as contemplated in clause 20, to BKB. The conditions of this clause shall not affect any rights, entitlement or remedies the purchaser may have against the Seller, transport contractor or insurance company.
23. Where the Seller is already indebted to BKB or any of its affiliate companies or any department of BKB prior to entering into this transaction, irrespective of the cause of such indebtedness, the Seller, by his signature hereto, irrevocably authorises BKB to credit the purchase price of this transaction against his account with BKB (less the Auctioneer's commission and agreed costs), such credit being payment of the purchase price on behalf of the Purchaser.
24. Ownership in the lot or assets is retained until the purchase price has been paid in full by the Purchaser to the Seller or BKB (where the Seller has been paid by BKB), with the provision that the risk in the assets or lot passes to the Purchaser at the fall of the hammer as set out in clause 28.
25. For as long as any amount is owing to BKB by the Purchaser in terms hereof, the Purchaser may not relinquish possession of the said asset, nor may he cede the asset(s) or any of its rights and obligations in terms of this agreement to a third party or otherwise encumber, sell or dispossess the said asset(s) or allow it to become the subject of any right of retention, hypothec, pledge or any encumbrance, whatever the cause thereof may be. BKB is entitled to cede or assign its rights and obligations in terms hereof without affecting its rights of recourse for any monies still due to BKB.
26. The Auctioneer shall pay all monies received from Purchasers into an account from where the Auctioneer shall account to the Seller the net proceeds, being the gross proceeds minus any Advance Amount, agreed commissions or agreed costs of auction.
27. Neither the purchaser, nor the Seller shall be entitled to apply set off.

28. Each lot shall immediately after the fall of the hammer deemed to be delivered to the Purchaser at which time all risk in and to the lot or asset sold will pass to the Purchaser who will at his own risk and cost remove the lots or assets from the auction terrain. Removal of any assets or loss, however, will not be allowed by the Auctioneer until payment of the purchase price by the Purchaser or acceptable arrangements for payment thereof have been made by the Purchaser with the Auctioneer.
29. The Auctioneer will only be obliged to give reasons of the auction if such reasons are other than the voluntary sale of goods by its owners.
30. The bidders' roll and vendor roll will be available for inspection by registered bidders during normal office hours at the business premises of the Auctioneer.
31. The rules of auction will only be read out at the auction if they are not available to the public at the place of business of the Auctioneer or at the auction facility. In the event of livestock and game auctions, the rules of auction remain unchanged and are in general available at the business premises of the Auctioneer or on the website of the Auctioneer.
32. Under no circumstances will BKB be held liable for any loss or damage of any cause whatsoever albeit direct or indirect damages suffered by anyone if the livestock accepted at the auction premises must be placed under quarantine during or after the auction because of the presence of a livestock disease present. In such an event BKB will have the right to cancel the auction as well as any already complete sales and no party will be entitled to or have a right of recourse against BKB.
33. Any party requiring permits, removal certificate, documentation of identification or any other statutory prescribed document will solely be responsible for obtaining same. Any instructions to an Auctioneer with regards to the loading, transporting, choice of transport contractors, insurance or choice of insurers will executed at the sole risk of the person acquiring such services and the Auctioneer will not be held responsible for any losses whether direct or indirect which may be suffered as a result of giving effect to the instructions by the Auctioneer. Any agreement entered by the Auctioneer with a transport company or insurer is done so in its representative capacity of the Seller or Purchaser. All transport costs or insurance premiums are therefore payable to the Auctioneer in cash except if acceptable alternative arrangements were made with the Auctioneer.
34. Both the Seller and the Purchaser consent to the jurisdiction of the Magistrate's Court as contemplated in Section 45 of Act 32 of 1944 having regard to any action which the Auctioneer may institute against the Purchaser or Seller irrespective of the cause of action. Notwithstanding the aforesaid the Auctioneer will have the sole and absolute discretion to institute action in any High Court with appropriate jurisdiction.
35. Any legal costs that BKB may have or will incur because of the non-compliance of the Purchaser or the Seller shall be recoverable on an scale as between attorney and own client scale, together with collection commission and interest on overdue amounts.
36. No relaxation or indulgence by the Auctioneer must be interpreted as a waiver of any of the Auctioneer's rights in terms hereof. Such relaxation or indulgence must also not be interpreted as a novation hereof.
37. Should any conditions of this agreement be unlawful or become retrospectively unlawful, that unlawful condition shall be deemed to be amended to the extent and in the manner as is necessary to make it lawful or should such an amendment be impossible, the unlawful conditions shall be deemed devisable from the remainder of the conditions of this agreement and pro non script.

THANK YOU FOR YOUR SUPPORT



D O R M E R K L U B

KIES SUKSES - DORMER DOEN DIE RES