

EXPLANATION OF ABBREVIATIONS IN CATALOGUE

VERDUIDELIKING VAN AFKORTINGS IN KATALOGUS

	DIRECT CALF TRAITS	DIREKTE KALF EIENSKAPPE	Kalf eienskappe
Calf traits	DIRECT CALF TRAITS	DIREKTE KALF EIENSKAPPE	Kalf eienskappe
Daughter traits	DAUGHTER TRAITS	DOGTER EIENSKAPPE	Dogter eienskappe
Growth traits	GROWTH	GROEI	Groei eienskappe
Efficiency traits	EFF	DOEL	Doeltreffendheids eienskappe
Reproduction traits	REPRODUCTION	REPRODUKSIE	Reproduksie eienskappe
Body measurements	MEASURE	MATES	Liggaamsmates
Lot number	Lot	Lot	Lotnommer
Ratio	R:	V:	Verhouding
Identification number	ID	ID	Identifikasienommer
Generation/Section of Herdbook	Gen	Gen	Generasie/Afdeling van kuddeboek
Weight in kilogram	Wgt kg	Gew kg	Gewig in kilogram
Index	Ind	Ind	Indeks
Accuracy of breeding value	Acc	Akk	Akkuraatheid van teelwaarde
Birth direct (kg)	Birth Dir	Geb Dir	Geboorte direk (kg)
Birth maternal (kg)	Birth Mat	Geb Mat	Geboorte maternaal (kg)
Wean direct (kg)	Wean Dir	Speen Dir	Speen direk (kg)
Wean maternal (kg)	Wean Mat	Speen Mat	Speen maternaal (kg)
Mature weight (kg)	Mature Wgt	Volw Gew	Volwasse gewig (kg)
365 Days (kg)	365d	365d	365 Dae (kg)
540 Days (kg)	540d	540d	540 Dae (kg)
Average daily gain (g/day)	ADG	GDT	Gemiddelde daaglikse toename (g/dag)
Feed conversion ratio	FCR	VOV	Voeromsetverhouding
Scrotal circumference (mm)	SC	SO	Skrotum omvang (mm)
Age First Calving	AFC	OEK	Ouderdom Eerste Kalwing
Inter Calving Period	ICP	TKP	Tussen Kalf Periode
Height (mm)	Hgt	Hgt	Hoogte (mm)
Length (mm)	Lgt	Lgt	Lengte (mm)
Length : Height ratio	LHR	HLV	Lengte : Hoogte verhouding
Birth weight : Cow weight ratio	BWR	GGV	Geboortegewig : Koeigewig verhouding
Wean weight : Cow weight ratio	WWR	SGV	Speengewig : Koeigewig verhouding
Age in years and months / Number of calvings	Age / Calv	Oud / Kalw	Ouderdom in jare en maande / Aantal kalwings
Average Wean index / Number of calves	Ave WI / Calf	Gem SI / Kalf	Gemiddelde Speenindeks / Aantal kalwers
Reproduction index	R.I.	R.I.	Reproduksie Indeks
Polled	Polled	Poena	Poena
Post Wean 365 days & Post Wean 540 days	PW365 & PW540	NS365 & NS540	Naspeen 365 dae & Naspeen 540 dae
Growth test & Growth test group	GT & GTg	GT & GTg	Groei Toets & Groeitoets groep
Central test	CT	ST	Sentrale toets
Ouerskap Verifikasie	OV	PV	Parentage Verification
Genomies Getoets	GT	GT	Genomically Tested
Homosigoties Poena (Celtic Toets)	PP(c)	PP(c)	Homozygous Polled (Celtic Test)
Heterosigoties Poena (Celtic Toets)	Pp(c)	Pp(c)	Heterozygous Polled (Celtic Test)
Beide Ouers Geverifieer	PV	PV	Both Parents Verified
Sire Geverifieer	SV	SV	Sire Verified
Dam Geverifieer	DV	DV	Dam Verified

FEMALE ANIMALS



Lot	Seller	ID POLLED Gen	PARENTS		Test Genomic Tested DNA Birth Date	Breeding Value Indexes					Post Wean Acc	ADG Acc	FCR Acc	SC Acc	Hgt Acc	Lgt Acc	LHR BWR WWR	R: Calf ID Birth Date (Weight) Sire GT / POLLED	Breeder Own Remarks
			SIRE GV PV	DAM GV PV		Birth Dir Acc	Wean Dir Acc	Birth Mat Acc	Wean Mat Acc	Mat Wgt Acc									
			Progeny Birth Weight	Progeny Wean Weight		Ease of Calving	Milk prod.	Mature Weight	Post Wean Weight	Daily Gain									

Cows with Calves


56	P.F. SCHEEPERS	CEF 090054 SP	GJN 040173	PW540	67	120	85	108	133	114	97	89	90	123	114	-	BONFCEF 190058	Loop by CEF 16-431
					4.47	22.1	0.50	5.9	46.0	31.4	80	-24	1.3	21	34	6.34	BONMCEF 130548	
			CEF 000112	09.04.09	40												43.1	
57	P.F. SCHEEPERS	CEF 090100 SP	CEF 060478	PW540	85	103	126	89	78	105	107	100	110	93	95	-	BONMCEF 190368	Loop by CEF 16-431
					2.62	14.7	-1.36	0.7	-14.0	24.7	125	-47	17.5	-4	7	9.15	BONMCEF 130548	
			CEF 050177	DNA 20.05.09	44												51.9	
58	P.F. SCHEEPERS	CEF 090116 SP	CEF 070417	PW540	106	88	79	73	75	88	81	81	87	83	86	-	BONFCEF 190090	Loop by CEF 16-431
					0.38	7.6	0.76	-3.8	-18.0	13.5	6	-5	-1.2	-11	-7	8.13	BONMCEF 160490	
			CEF 070048	DNA 18.08.09	27												53.6	
59	P.F. SCHEEPERS	CEF 090135 SP	CEF 070455	PW540	87	122	100	139	122	119	110	96	113	114	121	-	BONMCEF 190436	Loop by CEF 16-431
					2.40	23.3	-0.20	14.4	34.0	34.3	141	-39	19.7	13	42	8.52	BONMCE 150057	
			CEF 070095	DNA 31.08.09	27												60.8	
60	P.F. SCHEEPERS	CEF 090121 SP	LAR 050023	PW540	97	118	114	121	112	124	121	105	127	119	118	-	BONMCEF 190412	Loop by CEF 16-431
					1.33	21.3	-0.83	9.6	23.0	37.9	191	-57	30.9	17	38	5.36	BONMCE 150057	
			CEF 990033	19.08.09	32												37.8	
61	P.F. SCHEEPERS	CEF 090148 SP	LDW 050057	PW540	99	94	101	121	74	92	97	95	108	108	103	-	BONFCEF 190106	Loop by CEF 16-431
					1.09	10.2	-0.23	9.6	-19.0	15.9	82	-35	15.5	8	17	8.37	BONMCEF 140440	
			CEF 020104	05.09.09	34												46.8	

1.03	13.2	-0.19	3.7	10	21.4	94	-46	9.3	2	14
------	------	-------	-----	----	------	----	-----	-----	---	----


Lot 56 Loop by CEF 16-431

<p>CEP 090054 SPN Mat. 108 AFC 37 ICP 357 RI 110 Age/Calv. 10/8 Avg. WI/Calf 103/7</p>	<p>GJN 040173 SPN Mat. 102</p>  <p>Elite-Gold</p>  <p>CEP 000112</p>	<p>WAT 010063 SPN Mat. 79</p> <p>GJN 960005 AFC 33 SPN Mat. 111 ICP 343 Age/Calv. 10/9 Avg. WI/Calf 107/7</p> <p>MCH 970128 SPN Mat. 109</p> <p>CEP 960122 AFC 31 SPN Mat. 95 ICP 398 Age/Calv. 13/11 Avg. WI/Calf 100/11</p>	<p>WAT 990122 SPN Mat. 92 WAT 980046 SPN Mat. 118 EI 900113 SPN Mat. 95 GV D 0019 SPN Mat. 103 MCH 930008 SPN Mat. 92 MCH 900143 SPN Mat. 125 NFS K 0088 SPN Mat. 78 HOT J 0177 SPN Mat. 113</p>
-----------------------------------------------------------------------------------------------------------------------------------------------------------------------------------------------------------------------------	---------------------------------------------------------------------------------------------------------------------------------------------------------------------------------------------------------------------------------------------------------------------------	-----------------------------------------------------------------------------------------------------------------------------------------------------------------------------------------------------------------------------------------------------------------------------------------------------------------------------------------------------------------------------------------------------------------------------------	---------------------------------------------------------------------------------------------------------------------------------------------------------------------------------------------------------------------------------------------------------------------------------------------------------------------------------------------------------------------------------------------------------------------------------------------------------------------


Lot 57 Loop by CEF 16-431

<p>CEP 090100 SPN Mat. 89 AFC 27 ICP 396 RI 111 Age/Calv. 10/8 Avg. WI/Calf 96/7</p>	<p>CEF 060478 SPN Mat. 65</p>  <p>CEP 050177</p>	<p>CEF 030416 SPN Mat. 50</p> <p>CEF 010150 AFC 30 SPN Mat. 92 ICP 434 Age/Calv. 6/4 Avg. WI/Calf 103/4</p> <p>CEF 030401 SPN Mat. 104</p> <p>CEF 030053 AFC 29 SPN Mat. 125 ICP Age/Calv. 2/1 Avg. WI/Calf 98/1</p>	<p>CEF 010375 SPN Mat. 100 CEF 000022 SPN Mat. 93 CEF 990287 SPN Mat. 98 CEF 980039 SPN Mat. 63 CEF 990259 SPN Mat. 85 CEF 000050 SPN Mat. 111 TBB 980102 SPN Mat. 138 CEF 970056 SPN Mat. 115</p>
---------------------------------------------------------------------------------------------------------------------------------------------------------------------------------------------------------------------------	------------------------------------------------------------------------------------------------------------------------------------------------------------------------	--------------------------------------------------------------------------------------------------------------------------------------------------------------------------------------------------------------------------------------------------------------------------------------------------------------------------------------------------------------------------------------------------------------------------	-----------------------------------------------------------------------------------------------------------------------------------------------------------------------------------------------------------------------------------------------------------------------------------------------------------------------------------------------------------------------------------------------------------------------------------------------------------------------


Lot 58 Loop by CEF 16-431

<p>CEP 090116 SPN Mat. 73 AFC 31 ICP 370 RI 113 Age/Calv. 10/8 Avg. WI/Calf 92/7</p>	<p>CEF 070417 SPN Mat. 94</p>  <p>CEF 070048</p>	<p>CEF 040458 SPN Mat. 91</p> <p>CEF 040208 AFC 32 SPN Mat. 102 ICP 376 Age/Calv. 8/6 Avg. WI/Calf 105/6</p> <p>CEF 040315 SPN Mat. 82</p> <p>CEF 040159 AFC 30 SPN Mat. 72 ICP 397 Age/Calv. 9/7 Avg. WI/Calf 93/6</p>	<p>CEF 020321 SPN Mat. 119 CEF 950069 SPN Mat. 83 CEF 010428 SPN Mat. 107 CEF 940099 SPN Mat. 87 CEF 010331 SPN Mat. 38 CEF 010137 SPN Mat. 113 CEF 990259 SPN Mat. 85 CEF 940077 SPN Mat. 84</p>
---------------------------------------------------------------------------------------------------------------------------------------------------------------------------------------------------------------------------	----------------------------------------------------------------------------------------------------------------------------------------------------------------------	-----------------------------------------------------------------------------------------------------------------------------------------------------------------------------------------------------------------------------------------------------------------------------------------------------------------------------------------------------------------------------------------------------------------------------	----------------------------------------------------------------------------------------------------------------------------------------------------------------------------------------------------------------------------------------------------------------------------------------------------------------------------------------------------------------------------------------------------------------------------------------------------------------------


Lot 59 Loop by CEF 16-431

<p>Elite-Bronze CEP 090135 SPN Mat. 139 AFC 31 ICP 373 RI 112 Age/Calv. 10/8 Avg. WI/Calf 112/6</p>	<p>CEF 070455 SPN Mat. 121</p>  <p>CEF 070095</p>	<p>CEF 030447 SPN Mat. 96</p> <p>CEF 010137 AFC 30 SPN Mat. 113 ICP 392 Age/Calv. 12/10 Avg. WI/Calf 96/10</p> <p>CEF 040431 SPN Mat. 92</p> <p>CEF 030280 AFC 30 SPN Mat. 96 ICP 371 Age/Calv. 5/3 Avg. WI/Calf 106/2</p>	<p>CEF 990287 SPN Mat. 98 CEF 940048 SPN Mat. 109 CEF 950210 SPN Mat. 96 CEF 950031 SPN Mat. 110 CEF 020328 SPN Mat. 90 CEF 950055 SPN Mat. 86 NPT 990027 SPN Mat. 80 CEF 910130 SPN Mat. 94</p>
-----------------------------------------------------------------------------------------------------------------------------------------------------------------------------------------------------------------------------------------------	-------------------------------------------------------------------------------------------------------------------------------------------------------------------------	--------------------------------------------------------------------------------------------------------------------------------------------------------------------------------------------------------------------------------------------------------------------------------------------------------------------------------------------------------------------------------------------------------------------------------	---------------------------------------------------------------------------------------------------------------------------------------------------------------------------------------------------------------------------------------------------------------------------------------------------------------------------------------------------------------------------------------------------------------------------------------------------------------------

Lot 60 Loop by CEF 16-431

<p>Elite-Bronze CEP 090121 SPN Mat. 121 AFC 31 ICP 367 RI 113 Age/Calv. 10/8 Avg. WI/Calf 110/6</p>	<p>LAR 050023 SPN Mat. 94</p>  <p>CEP 990033</p>	<p>LAR 010297 SPN Mat. 71</p> <p>LAR 970059 AFC 35 SPN Mat. 113 ICP 445 Age/Calv. 13/9 Avg. WI/Calf 109/8</p> <p>NPT 910020 SPN Mat. 87</p> <p>CEP 940097 AFC 32 SPN Mat. 69 ICP 354 Age/Calv. 7/5 Avg. WI/Calf 94/5</p>	<p>AG 920097 SPN Mat. 49 LAR 960332 SPN Mat. 113 JH L 0321 SPN Mat. 135 LAR 940311 SPN Mat. 87 NPT H 0069 SPN Mat. 59 NPT L 0062 SPN Mat. 79 NFS 900070 SPN Mat. 39 CEP 900102 SPN Mat. 107</p>
-----------------------------------------------------------------------------------------------------------------------------------------------------------------------------------------------------------------------------------------------	------------------------------------------------------------------------------------------------------------------------------------------------------------------------	------------------------------------------------------------------------------------------------------------------------------------------------------------------------------------------------------------------------------------------------------------------------------------------------------------------------------------------------------------------------------------------------------------------------------	--------------------------------------------------------------------------------------------------------------------------------------------------------------------------------------------------------------------------------------------------------------------------------------------------------------------------------------------------------------------------------------------------------------------------------------------------------------------

Lot 61 Loop by CEF 16-431

<p>CEP 090148 SPN Mat. 121 AFC 30 ICP 434 RI 102 Age/Calv. 10/7 Avg. WI/Calf 107/6</p>	<p>LDW 050057 SPN Mat. 127</p>  <p>CEP 020104</p>	<p>SAS 980121 SPN Mat. 97</p> <p>SAS 000126 AFC 30 SPN Mat. 131 ICP 393 Age/Calv. 9/7 Avg. WI/Calf 113/6</p> <p>V 970132 SPN Mat. 111</p> <p>CEP 000063 AFC 27 SPN Mat. 64 ICP Age/Calv. 2/1 Avg. WI/Calf 103/1</p>	<p>NPT 910022 SPN Mat. 106 ASE 920091 SPN Mat. 109 V 940377 SPN Mat. 95 SAS 940055 SPN Mat. 129 V 940256 SPN Mat. 92 V 920129 SPN Mat. 132 CEF 970245 SPN Mat. 36 COM 940131 SPN Mat. 82</p>
-----------------------------------------------------------------------------------------------------------------------------------------------------------------------------------------------------------------------------	---------------------------------------------------------------------------------------------------------------------------------------------------------------------------	-------------------------------------------------------------------------------------------------------------------------------------------------------------------------------------------------------------------------------------------------------------------------------------------------------------------------------------------------------------------------------------------------------------------------	-----------------------------------------------------------------------------------------------------------------------------------------------------------------------------------------------------------------------------------------------------------------------------------------------------------------------------------------------------------------------------------------------------------------------------------------------------------------

VROULIKE DIERE

Lot	Verkoper	ID POENA Gen	OUERS VADER GV OV MOEDER GV OV	Toets Genomies Getoets DNS Geb. dat.	DIREKTE KALF EIENSKAPPE					DOGTER EIENSKAPPE			GROEI		DOEL	REP	MATES	V:	KALF AAN HOEF	Kalf ID	Gebruiker Eie Opmerkings								
					Nageslag Geboorte- gewig	Nageslag Speengewig	Gemak van Kalwing	Melk prod.	Volwas- se Gewig	Naspeen- gewig	Daaglikse Toename	Voer- omset	Hoogte & Lengte					LHV				Geboorte dat (Gewig)	GGV	SGV	Vaar	GT / POLLED			
					Teelwaarde indekse																								
					Geb Dir	Speen Dir		Geb Mat	Speen Mat	Volw Gew	Naspeen	GDT	VOV	SO	Hgt	Lgt													
					Akk	Akk		Akk	Akk	Akk	Akk	Akk	Akk	Akk	Akk	Akk	Akk	Akk	Akk	Akk	Akk	Akk							
					Gew kg	Gew kg	Ind	kg	kg	kg	365dM	Ind	Ind	Ind	Ind	Ind	Ind	Ind	Ind	Ind	Ind	Ind							

Koeie met Kalwers

62	P.F. SCHEEPERS	CEF 090161	CEF 040462	NS540	97	104	107	98	95	107	93	93	77	78	93	-	BONMCEF 190373	25.03.19 (35)	Loop by CEF 16-431
		SP	CEF 040043	14.09.09	1.36 85	14.8 81	-0.49 80	3.1 83	5.0 68	26.0 76	63 67	-30 31	-9.0 72	-16 73	4 71	7.39	BONMCEF 150468		
					34											33.9			
63	P.F. SCHEEPERS	CEF 090178	GCD 030148	NS365	89	104	76	119	123	109	106	97	111	108	105	-	BONMCEF 190367	22.03.19 (36)	Loop by CEF 16-431
		SP	CEF 010113	23.09.09	2.16 85	14.8 81	0.90 81	8.9 84	35.0 72	27.4 68	120 62	-40 25	17.9 66	8 67	20 65	5.69	BONMCEF 140440		
					36											39.1			
64	P.F. SCHEEPERS	CEF 090150	GCD 030148	NS365	90	105	100	115	102	104	110	97	107	117	117	-	BONMCEF 190098	23.04.19 (29)	Loop by CEF 16-431
		SP	CEF 010129	05.09.09	2.13 86	15.6 81	-0.18 82	7.8 84	12.0 73	24.1 66	137 70	-39 30	14.6 75	15 76	37 74	6.34	BONMBBM 150057		
					35											46			
65	P.F. SCHEEPERS	CEF 090225		NS540	94	105	90	110	122	106	92	91	92	117	109	-	BONMCEF 190081	03.04.19 (50)	Loop by CEF 16-431
		A	CEF 060089	DNS	1.69 84	15.5 78	0.27 79	6.5 83	34.0 68	25.3 66	58 57	-28 18	3.2 65	16 66	26 63	7.06	BONMCEF 160490		
				16.10.09	31											49.4			
66	P.F. SCHEEPERS	CEF 090013	CEF 060309	NS540	103	109	87	97	106	110	101	96	96	106	107	-	BONMCEF 190059	23.03.19 (41)	Loop by CEF 16-431
		SP	CEF 060166	DNS	0.73 86	17.4 82	0.40 80	2.9 83	17.0 64	28.0 73	97 71	-37 56	6.0 76	6 77	24 75	6.15	BONMCEF 130548		
				14.03.09	26											47.3			
67	P.F. SCHEEPERS	CEF 090105	CEF 070419	NS540	121	80	97	90	88	86	92	93	86	80	88	-	BONMCEF 190037	14.03.19 (29)	Loop by CEF 16-431
		B	CEF 070013	DNS	-1.24 86	4.3 82	-0.05 81	0.9 85	-4.0 66	11.5 69	59 56	-32 23	-1.6 62	-14 63	-3 61	5.52	BONMCEF 130548		
				21.07.09	20											52.4			

BONASARA BEESTENGENOOTSKAP VAN SA


Saamgestel deur die Suid-Afrikaanse Stamboek- en Veeverbeteringsvereniging

Veilingsdatum: 02/08/2019

Data soos op 26/06/2019 16:52:25

Lot 62 Loop by CEF 16-431

CEF 090161
SPN Mat. 98
OEK 31
TKP 423
RI 104
Oud/Kalw. 10/7
Gem. SI/Kalf 103/6



CEF 990259
SPN Mat. 85


CEF 000050
OEK 27 SPN Mat. 111
TKP 371 Oud/Kalw. 13/12
Gem. SI/Kalf 102/12

CEF 000275
SPN Mat. 84

CEF 990159
OEK 28 SPN Mat. 80
TKP 370 Oud/Kalw. 7/6
Gem. SI/Kalf 98/6

CEF 040462
SPN Mat. 80


CEF 040043
OEK 29 SPN Mat. 76
TKP 372 Oud/Kalw. 10/8
RI 114 Gem. SI/Kalf 94/7



NPT 910020
SPN Mat. 87
CEF 930130
SPN Mat. 87
CEF 960290
SPN Mat. 116
CEF 960003
SPN Mat. 99
LAR 960037
SPN Mat. 94
CEF 910002
SPN Mat. 85
CEF 950270
SPN Mat. 108
CEF 960034
SPN Mat. 66

Lot 63 Loop by CEF 16-431


CEF 090178
SPN Mat. 119
OEK 23
TKP 396
RI 114
Oud/Kalw. 9/8
Gem. SI/Kalf 100/7



EI 920079
SPN Mat. 130
EI 920048
SPN Mat. 105
ESB N 0154
SPN Mat. 100
GCD C 0010
SPN Mat. 101
NPT 910020
SPN Mat. 87
NFS K 0030
SPN Mat. 106
BHE 920089
SPN Mat. 71
CEF 920182
SPN Mat. 125

GCD 030148
SPN Mat. 116

CEF 010113
OEK 31 SPN Mat. 131
TKP 398 Oud/Kalw. 9/7
RI 108 Gem. SI/Kalf 106/6



EI 940339
SPN Mat. 116


GCD 940031
OEK 27 SPN Mat. 117
TKP 401 Oud/Kalw. 14/12
Gem. SI/Kalf 103/12

CEF 990236
SPN Mat. 110

CEF 970104
OEK 31 SPN Mat. 110
TKP 405 Oud/Kalw. 8/6
Gem. SI/Kalf 106/6

Lot 64 Loop by CEF 16-431


CEF 090150
SPN Mat. 115
OEK 23
TKP 402
RI 113
Oud/Kalw. 10/8
Gem. SI/Kalf 100/7



EI 920079
SPN Mat. 130
EI 920048
SPN Mat. 105
ESB N 0154
SPN Mat. 100
GCD C 0010
SPN Mat. 101
RCO 910097
SPN Mat. 114
RCO J 0094
SPN Mat. 106
NFS 900070
SPN Mat. 39
CEF 910109
SPN Mat. 110

GCD 030148
SPN Mat. 116

CEF 010129
OEK 30 SPN Mat. 106
TKP 398 Oud/Kalw. 10/8
RI 108 Gem. SI/Kalf 102/8



EI 940339
SPN Mat. 116


GCD 940031
OEK 27 SPN Mat. 117
TKP 401 Oud/Kalw. 14/12
Gem. SI/Kalf 103/12

RCO 930139
SPN Mat. 131

CEF 940016
OEK 29 SPN Mat. 90
TKP 368 Oud/Kalw. 14/13
Gem. SI/Kalf 103/13

Lot 65 Loop by CEF 16-431

Elite-Silwer
CEF 090225
SPN Mat. 110
OEK 30
TKP 364
RI 115
Oud/Kalw. 9/8
Gem. SI/Kalf 101/8



SPN Mat.

SPN Mat.


SPN Mat.

SPN Mat.

SPN Mat.

SPN Mat. 85
CEF 000050
SPN Mat. 111
RCO 970028
SPN Mat. 103
CEF 000078
SPN Mat. 74

CEF 060089
OEK 27 SPN Mat. 119
TKP 444 Oud/Kalw. 3/2
RI 112 Gem. SI/Kalf 110/1



SPN Mat.

SPN Mat.

SPN Mat.

SPN Mat.


SPN Mat.

SPN Mat. 104
CEF 030401
SPN Mat. 104

CEF 030109
OEK 32 SPN Mat. 131
TKP 423 Oud/Kalw. 12/9
Gem. SI/Kalf 117/8

Lot 66 Loop by CEF 16-431

CEF 090013
SPN Mat. 97
OEK 29
TKP 398
RI 110
Oud/Kalw. 10/8
Gem. SI/Kalf 101/7




CEF 000225
SPN Mat. 90
CEF 980112
SPN Mat. 105
CEF 990287
SPN Mat. 98
CEF 950069
SPN Mat. 83
CEF 950270
SPN Mat. 108
CEF 960086
SPN Mat. 96
CEF 950203
SPN Mat. 34
CEF 920044
SPN Mat. 112

CEF 030417
SPN Mat. 105

CEF 030135
OEK 30 SPN Mat. 90
TKP 369 Oud/Kalw. 8/6
Gem. SI/Kalf 98/5

CEF 010375
SPN Mat. 100

CEF 990127
OEK 34 SPN Mat. 75
TKP 366 Oud/Kalw. 10/8
Gem. SI/Kalf 95/7




CEF 060309
SPN Mat. 92

CEF 060166
OEK 30 SPN Mat. 87
TKP 388 Oud/Kalw. 10/8
RI 110 Gem. SI/Kalf 97/6

Lot 67 Loop by CEF 16-431


CEF 090105
SPN Mat. 90
OEK 32
TKP 365
RI 113
Oud/Kalw. 10/8
Gem. SI/Kalf 95/8



CEF 990259
SPN Mat. 85
CEF 000050
SPN Mat. 111
CEF 000225
SPN Mat. 90
CEF 960091
SPN Mat. 123
CEF 030309
SPN Mat. 66
CEF 020044
SPN Mat. 72
RCO 930139
SPN Mat. 131
CEF 950018
SPN Mat. 70

CEF 070419
SPN Mat. 111

CEF 070013
OEK 28 SPN Mat. 95
TKP 379 Oud/Kalw. 12/10
RI 113 Gem. SI/Kalf 100/10



CEF 030401
SPN Mat. 104

CEF 030099
OEK 30 SPN Mat. 121
TKP 451 Oud/Kalw. 5/3
Gem. SI/Kalf 103/3

CEF 050355
SPN Mat. 81

CEF 020130
OEK 31 SPN Mat. 92
TKP 367 Oud/Kalw. 6/4
Gem. SI/Kalf 93/2

FEMALE ANIMALS

Lot	Seller	ID	PARENTS	Test	Breeding Value Indexes										R:	MEASUREMENTS	Calf ID	Breeder Own Remarks
					DIRECT CALF TRAITS		DAUGHTER TRAITS			GROWTH		EFF.	REP	R:				
		POLLED	SIRE GV PV	Genomic Tested	Birth Dir	Wean Dir	Birth Mat	Wean Mat	Mat Wgt	Post Wean	ADG	FCR	SC	Hgt	Lgt	LHR	Birth Date (Weight)	
		Gen	DAM GV PV	DNA	Acc	Acc	Acc	Acc	Acc	Acc	Acc	Acc	Acc	Acc	Acc	BWR	Sire	
				Birth Date	Wgt kg	Wgt kg Ind	kg	kg	kg	365dM	540d Ind	Ind	Ind	(mm)	(mm)	WWR	GT / POLLED	



Cows with Calves

68	P.F. SCHEEPERS	CEF 090249 SP	CEF 070388	PW540	107	115	108	108	97	125	115	105	99	116	115	-	BONMCEF 190301	Loop by CEF 16-431
				DNA	0.28	19.9	-0.54	5.9	7.0	38.7	161	-57	8.8	15	35	6.11	18.02.19 (29)	
			CEF 060167	27.10.09	27													


Pregnant Cows

69	P.F. SCHEEPERS	CEF 090039 SP	CEF 060349	PW540	63	145	111	135	151	147	128	110	107	128	130	-	308	Dragtig van MS ;KI: CEF 13-317 ;NAT: BBM 15-057
				DNA	4.96	33.4	-0.67	13.4	67.0	54.1	219	-67	14.5	25	55	7.02	10.2	
			CEF 040174	01.04.09	38													
70	P.F. SCHEEPERS	CEF 090081 SP	CEF 060349	PW540	60	137	103	92	135	135	111	99	92	113	120	-	233	Dragtig van CEF 15-315
				DNA	5.28	30.1	-0.34	1.4	49.0	45.6	145	-44	2.8	13	41	7.25	10.2	
			CEF 010086	29.04.09	47													
71	P.F. SCHEEPERS	CEF 090091 SP	LDW 050057	PW540	107	99	113	104	99	93	93	92	117	97	100	-	247	Dragtig van CEF 16-326
				DNA	0.30	12.6	-0.78	4.8	9.0	16.6	61	-30	22.8	-1	13	5.62	10.1	
			CEF 060180	05.05.09	26													
72	P.F. SCHEEPERS	CEF 090107 SP	CEF 070417	PW540	114	91	99	94	80	92	110	107	101	97	98	-	423	Dragtig van VV 16-038
				DNA	-0.50	8.9	-0.12	2.1	-12.0	15.9	139	-60	10.3	-1	11	6.56	9.9	
			CEF 070004	27.07.09	25													
73	P.F. SCHEEPERS	VV 090235 SP	VV 070115	PW540	105	95	92	141	97	106	115	104	116	102	113	-	222	Dragtig van CEF 15-315
				DNA	0.51	10.9	0.17	15.1	6.0	25.4	162	-54	21.8	3	32	6.31	9.7	
			VV 060251	03.10.09	35													


Lot 68 Loop by CEF 16-431

 Elite-Bronze CEF 090249 SPN Mat. 108 AFC 30 ICP 417 RI 106 Age/Calv. 9/7 Avg. WI/Calf 105/6	 CEF 070388 SPN Mat. 108	AFC 31 ICP 444	CEF 050355 SPN Mat. 81	CEF 030309 SPN Mat. 66 CEF 020044 SPN Mat. 72 CEF 980292 SPN Mat. 87 AG 920059 SPN Mat. 97 CEF 000225 SPN Mat. 90 CEF 980112 SPN Mat. 105 V 970132 SPN Mat. 111 CEF 970040 SPN Mat. 91
			CEF 020168 SPN Mat. 124 Age/Calv. 12/9 Avg. WI/Calf 109/9	CEF 030417 SPN Mat. 105 CEF 030183 SPN Mat. 100 Age/Calv. 3/1 Avg. WI/Calf 96/1


Lot 69 Dragtig van MS
 KI: CEF 13-317
 NAT: BBM 15-057

CEF 090039 SPN Mat. 135 AFC 29 ICP 366 RI 115 Age/Calv. 9/8 Avg. WI/Calf 116/7	 CEF 060349 SPN Mat. 92	AFC 31 ICP 366	CEF 020328 SPN Mat. 90	CEF 000278 SPN Mat. 65 CEF 990108 SPN Mat. 99 NPT 910022 SPN Mat. 106 CEF J 0033 SPN Mat. 87 TBB 980102 SPN Mat. 138 CEF 950095 SPN Mat. 108 NPT 910020 SPN Mat. 87 CEF 910095 SPN Mat. 102
			Elite-Gold CEF 960086 SPN Mat. 96 Age/Calv. 16/14 Avg. WI/Calf 102/13	Elite-Silver CEF 040174 SPN Mat. 132 Age/Calv. 14/12 Avg. WI/Calf 106/10


Lot 70 Dragtig van CEF 15-315

CEF 090081 SPN Mat. 92 AFC 36 ICP 398 RI 104 Age/Calv. 10/7 Avg. WI/Calf 102/6	 CEF 060349 SPN Mat. 92	AFC 31 ICP 366	Elite-Gold CEF 960086 SPN Mat. 96 Age/Calv. 16/14 Avg. WI/Calf 102/13	CEF 000278 SPN Mat. 65 CEF 990108 SPN Mat. 99 NPT 910022 SPN Mat. 106 CEF J 0033 SPN Mat. 87 NPT 910020 SPN Mat. 87 CEF 930130 SPN Mat. 87 CEF 920216 SPN Mat. 90 CEF 920049 SPN Mat. 115
			CEF 010086 SPN Mat. 88 Age/Calv. 11/9 Avg. WI/Calf 96/8	CEF 950131 SPN Mat. 113 Age/Calv. 6/3 Avg. WI/Calf 113/3


Lot 71 Dragtig van CEF 16-326

CEF 090091 SPN Mat. 104 AFC 27 ICP 437 RI 104 Age/Calv. 9/7 Avg. WI/Calf 98/7	 LDW 050057 SPN Mat. 127	AFC 30 ICP 393	SAS 980121 SPN Mat. 97	NPT 910022 SPN Mat. 106 ASE 920091 SPN Mat. 109 V 940377 SPN Mat. 95 SAS 940055 SPN Mat. 129 CEF 990287 SPN Mat. 98 CEF 940048 SPN Mat. 109 NPT 930047 SPN Mat. 81 CEF 950015 SPN Mat. 97
			Age/Calv. 9/7 Avg. WI/Calf 113/6	CEF 030447 SPN Mat. 96 CEF 060180 SPN Mat. 76 Age/Calv. 6/4 Avg. WI/Calf 96/4

Lot 72 Dragtig van VV 16-038

CEF 090107 SPN Mat. 94 AFC 39 ICP 404 RI 99 Age/Calv. 9/6 Avg. WI/Calf 98/6	 CEF 070417 SPN Mat. 94	AFC 32 ICP 376	CEF 040458 SPN Mat. 91	CEF 020321 SPN Mat. 119 CEF 950069 SPN Mat. 83 CEF 010428 SPN Mat. 107 CEF 940099 SPN Mat. 87 CEF 010375 SPN Mat. 100 CEF 000119 SPN Mat. 118 CEF 020406 SPN Mat. 99 CEF 950048 SPN Mat. 137
			Age/Calv. 8/6 Avg. WI/Calf 105/6	CEF 040208 SPN Mat. 102 Age/Calv. 8/6 Avg. WI/Calf 105/6

Lot 73 Dragtig van CEF 15-315

VV 090235 SPN Mat. 141 AFC 33 ICP 387 RI 108 Age/Calv. 9/7 Avg. WI/Calf 105/6	 VV 070115 SPN Mat. 102 Bronze	AFC 29 ICP 398	VV 040257 SPN Mat. 101	VV 020135 SPN Mat. 119 VV 010125 SPN Mat. 104 VV 960318 SPN Mat. 77 VV 950225 SPN Mat. 123 FCT 980067 SPN Mat. 101 BG 000058 SPN Mat. 110 VV 960302 SPN Mat. 123 BG 930019 SPN Mat. 102
			Age/Calv. 9/7 Avg. WI/Calf 97/7	VV 010045 SPN Mat. 99 Age/Calv. 9/7 Avg. WI/Calf 97/7


VROULIKE DIERE

Lot	Verkoper	ID	OUERS	Toets	Teelwaarde indekse											Dae Oop	Gebruiker Eie Opmerkings					
					VADER GV OV	Genomies Getoets	Geb Dir	Speen Dir		Geb Mat	Speen Mat	Volwas- se Gewig	GROEI		DOEL			REP	MATES		V:	
								DNS	Akk				Akk	Akk					Akk	Akk		Akk
		POENA	MOEDER GV OV	Geb. dat.	Gew kg	Gew kg	Ind	kg	kg	kg	365d Ind	540d Ind	Ind	Ind	(mm)	(mm)	(mm)	LHV	GGV	SGV	Kalwers	


Dragtige Koeie

74	P.F. SCHEEPERS	CEF 090026 SP	CEF 060309	NS540	117	97	112	92	102	100	99	94	107	106	105	-	288	Dragtig van CEF 15-315
				DNS	-0.80	11.8	-0.74	1.4	12.0	21.5	90	-33	14.7	7	21	-	10.3	
			CEF 060187	23.03.09	84	80	79	82	69	72	61	26	67	68	66	54.2	8	
75	P.F. SCHEEPERS	CEF 090041 SP	CEF 030447	NS540	103	93	90	63	84	93	78	84	82	71	75	-	255	Dragtig van CEF 16-326
				DNS	0.68	9.9	0.27	-6.7	-8.0	16.3	-5	-12	-5.3	-22	-22	5.73	10.2	
			CEF 020049	01.04.09	85	82	81	85	72	75	60	40	64	65	63	33.6	7	
76	P.F. SCHEEPERS	CEF 090079 SP	CEF 060478	NS540	101	93	119	57	84	97	91	91	93	87	85	-	296	Dragtig van CEF 15-315
				DNS	0.87	9.9	-1.04	-8.2	-8.0	19.3	52	-26	3.9	-9	-7	7.32	10.2	
			CEF 050033	25.04.09	86	83	82	86	72	76	56	26	61	61	60	37.7	8	
77	P.F. SCHEEPERS	CEF 090136 SP	CEF 070367	NS540	95	109	87	112	111	105	88	90	103	112	108	-	275	Dragtig van CEF 15-315
				DNS	1.55	17.4	0.38	7.0	22.0	25.0	40	-25	12.0	12	25	5.95	9.8	
			CEF 050164	01.09.09	84	80	79	83	65	70	58	26	64	65	63	45	7	
78	P.F. SCHEEPERS	CEF 090242 SP	CEF 060473	NS540	96	122	123	97	99	128	119	106	107	98	107	-	308	Dragtig van CEF 15-315
				DNS	1.43	22.9	-1.24	2.8	9.0	40.5	179	-59	15.0	1	23	7.09	9.7	
			CEF 070130	21.10.09	85	81	79	82	65	72	62	25	68	69	67	55.5	7	
79	P.F. SCHEEPERS	CEF 090145 SP	GCD 030148	NS365	81	103	73	107	109	104	99	95	109	106	106	-	309	Dragtig van CEF 15-315
				DNS	3.01	14.3	1.04	5.7	20.0	24.3	91	-35	16.1	7	21	6.78	9.8	
			CEF 000192	02.09.09	85	81	80	82	67	66	68	28	73	74	72	46.8	7	


Lot 74 Dragtig van CEF 15-315

<p>CEF 090026 SPN Mat. 92 OEK 29 TKP 369 RI 115 Oud/Kalw. 9/8 Gem. Si/Kalf 96/7</p>		<p>CEF 060309 SPN Mat. 92</p> <p>CEF 060187 SPN Mat. 102 Oud/Kalw. / Gem. Si/Kalf 102/1</p>	<p>CEF 030417 SPN Mat. 105</p> <p>CEF 030135 OEK 30 SPN Mat. 90 TKP 369 Oud/Kalw. 8/6 Gem. Si/Kalf 98/5</p> <p>CEF 010375 SPN Mat. 100</p> <p>CEF 970120 OEK 30 SPN Mat. 106 TKP 379 Oud/Kalw. 14/12 Gem. Si/Kalf 103/11</p>	<p>CEF 000225 SPN Mat. 90 CEF 980112 SPN Mat. 105 CEF 990287 SPN Mat. 98 CEF 950069 SPN Mat. 83 CEF 950270 SPN Mat. 108 CEF 960086 SPN Mat. 96 CEF 950208 SPN Mat. 50 CEF 950010 SPN Mat. 117</p>
--------------------------------------------------------------------------------------------------------------------	-----------------------------------------------------------------------------------	---------------------------------------------------------------------------------------------------------------------------	------------------------------------------------------------------------------------------------------------------------------------------------------------------------------------------------------------------------------------------------------------------------------------------	-----------------------------------------------------------------------------------------------------------------------------------------------------------------------------------------------------------------------------------------------------------------------------------------------------------------------



Lot 75 Dragtig van CEF 16-326

<p>CEF 090041 SPN Mat. 63 OEK 29 TKP 435 RI 104 Oud/Kalw. 10/7 Gem. Si/Kalf 93/7</p>		<p>CEF 030447 SPN Mat. 96</p> <p>CEF 020049 OEK 36 SPN Mat. 55 TKP 365 Oud/Kalw. 8/6 RI 108 Gem. Si/Kalf 89/6</p>	<p>CEF 990287 SPN Mat. 98</p> <p>CEF 940048 OEK 32 SPN Mat. 109 TKP 398 Oud/Kalw. 15/12 Gem. Si/Kalf 101/11</p> <p>RCO 980127 SPN Mat. 81</p> <p>CEF 970083 OEK 31 SPN Mat. 76 TKP 385 Oud/Kalw. 13/11 Gem. Si/Kalf 101/11</p>	<p>CEF 950270 SPN Mat. 108 CEF 930129 SPN Mat. 110 CEF 920216 SPN Mat. 90 CEF 920044 SPN Mat. 112 RCO 910195 SPN Mat. 67 RCO 910011 SPN Mat. 92 CEF 930352 SPN Mat. 74 CEF 930056 SPN Mat. 96</p>
---------------------------------------------------------------------------------------------------------------------	-------------------------------------------------------------------------------------	-------------------------------------------------------------------------------------------------------------------------------------------------	--------------------------------------------------------------------------------------------------------------------------------------------------------------------------------------------------------------------------------------------------------------------------------------------	-----------------------------------------------------------------------------------------------------------------------------------------------------------------------------------------------------------------------------------------------------------------------------------------------------------------------


Lot 76 Dragtig van CEF 15-315

<p>CEF 090079 SPN Mat. 57 OEK 28 TKP 369 RI 116 Oud/Kalw. 9/8 Gem. Si/Kalf 93/9</p>		<p>CEF 060478 SPN Mat. 65</p> <p>CEF 050033 OEK 28 SPN Mat. 76 TKP 447 Oud/Kalw. 12/9 RI 101 Gem. Si/Kalf 95/7</p>	<p>CEF 030416 SPN Mat. 50</p> <p>CEF 010150 OEK 30 SPN Mat. 92 TKP 434 Oud/Kalw. 6/4 Gem. Si/Kalf 103/4</p> <p>CEF 030309 SPN Mat. 66</p> <p>CEF 020014 OEK 37 SPN Mat. 98 TKP 369 Oud/Kalw. 6/4 Gem. Si/Kalf 92/3</p>	<p>CEF 010375 SPN Mat. 100 CEF 000022 SPN Mat. 93 CEF 990287 SPN Mat. 98 CEF 980039 SPN Mat. 63 AG 950284 SPN Mat. 58 CEF 000198 SPN Mat. 112 RCO 930139 SPN Mat. 131 CEF 970131 SPN Mat. 82</p>
--------------------------------------------------------------------------------------------------------------------	-----------------------------------------------------------------------------------	--------------------------------------------------------------------------------------------------------------------------------------------------	------------------------------------------------------------------------------------------------------------------------------------------------------------------------------------------------------------------------------------------------------------------------------------	----------------------------------------------------------------------------------------------------------------------------------------------------------------------------------------------------------------------------------------------------------------------------------------------------------------------


Lot 77 Dragtig van CEF 15-315

<p> Elite-Silwer CEF 090136 SPN Mat. 112 OEK 31 TKP 395 RI 108 Oud/Kalw. 9/7 Gem. Si/Kalf 109/7</p>		<p>CEF 070367 SPN Mat. 113</p> <p>CEF 050164 OEK 31 SPN Mat. 99 TKP 501 Oud/Kalw. 4/2 RI 100 Gem. Si/Kalf 112/2</p>	<p>CEF 030401 SPN Mat. 104</p> <p>CEF 990161 OEK 28 SPN Mat. 117 TKP 369 Oud/Kalw. 7/6 Gem. Si/Kalf 111/6</p> <p>CEF 990259 SPN Mat. 85</p> <p>CEF 970052 OEK 35 SPN Mat. 83 TKP 377 Oud/Kalw. 18/16 Gem. Si/Kalf 95/15</p>	<p>CEF 990259 SPN Mat. 85 CEF 000050 SPN Mat. 111 CEF 950270 SPN Mat. 108 CEF 960033 SPN Mat. 103 NPT 910020 SPN Mat. 87 CEF 930130 SPN Mat. 87 NFS 910339 SPN Mat. 42 CEF 930045 SPN Mat. 109</p>
----------------------------------------------------------------------------------------------------------------------------------------------------------------------------------------------------------------------------------	-------------------------------------------------------------------------------------	---------------------------------------------------------------------------------------------------------------------------------------------------	-----------------------------------------------------------------------------------------------------------------------------------------------------------------------------------------------------------------------------------------------------------------------------------------	------------------------------------------------------------------------------------------------------------------------------------------------------------------------------------------------------------------------------------------------------------------------------------------------------------------------

Lot 78 Dragtig van CEF 15-315

<p>CEF 090242 SPN Mat. 97 OEK 29 TKP 391 RI 111 Oud/Kalw. 9/7 Gem. Si/Kalf 108/6</p>		<p>CEF 060473 SPN Mat. 98</p> <p>CEF 070130 OEK 27 SPN Mat. 68 TKP 462 Oud/Kalw. 7/5 RI 102 Gem. Si/Kalf 93/5</p>	<p>WAT 970101 SPN Mat. 107 WAT 970192 SPN Mat. 99 NFS 910339 SPN Mat. 42 CEF J 0078 SPN Mat. 95 CEF 020328 SPN Mat. 90 CEF 000177 SPN Mat. 90 CEF 030309 SPN Mat. 66 CEF 020011 SPN Mat. 61</p>
---------------------------------------------------------------------------------------------------------------------	-------------------------------------------------------------------------------------	-------------------------------------------------------------------------------------------------------------------------------------------------	---------------------------------------------------------------------------------------------------------------------------------------------------------------------------------------------------------------------------------------------------------------------------------------------------------------------

Lot 79 Dragtig van CEF 15-315

<p>CEF 090145 SPN Mat. 107 OEK 24 TKP 422 RI 109 Oud/Kalw. 9/7 Gem. Si/Kalf 97/6</p>		<p>GCD 030148 SPN Mat. 116</p> <p>CEF 000192 OEK 31 SPN Mat. 93 TKP 405 Oud/Kalw. 13/10 RI 107 Gem. Si/Kalf 103/8</p>	<p>EI 940339 SPN Mat. 116</p> <p>GCD 940031 OEK 27 SPN Mat. 117 TKP 401 Oud/Kalw. 14/12 Gem. Si/Kalf 103/12</p> <p>NPT 910020 SPN Mat. 87</p> <p>CEF 940077 OEK 32 SPN Mat. 84 TKP 384 Oud/Kalw. 11/9 Gem. Si/Kalf 98/9</p>	<p>EI 920079 SPN Mat. 130 EI 920048 SPN Mat. 105 ESB N 0154 SPN Mat. 100 GCD C 0010 SPN Mat. 101 NPT H 0069 SPN Mat. 59 NPT L 0062 SPN Mat. 79 JRB H 0091 SPN Mat. 70 CEF N 0020 SPN Mat. 106</p>
---------------------------------------------------------------------------------------------------------------------	---------------------------------------------------------------------------------------	-----------------------------------------------------------------------------------------------------------------------------------------------------	-----------------------------------------------------------------------------------------------------------------------------------------------------------------------------------------------------------------------------------------------------------------------------------------	-----------------------------------------------------------------------------------------------------------------------------------------------------------------------------------------------------------------------------------------------------------------------------------------------------------------------



FEMALE ANIMALS

Lot	Seller	ID POLLED Gen	PARENTS		Test Genomic Tested DNA Birth Date	Breeding Value Indexes										Days Open	Breeder Own Remarks			
			SIRE GV PV	DAM GV PV		DIRECT CALF TRAITS		DAUGHTER TRAITS			GROWTH		EFF.	REP	MEASURE-MENTS			R:		
						Progeny Birth Weight	Progeny Wean Weight	Ease of Calving	Milk prod.	Mature Weight	Post Wean Weight	Daily Gain	Feed Conv					Height & Length		
						Birth Dir	Wean Dir	Birth Mat	Wean Mat	Mat Wgt	Post Wean	ADG	FCR	SC	Hgt	Lgt	LHR	Age		
						Acc	Acc	Acc	Acc	Acc	Acc	Acc	Acc	Acc	Acc	Acc	BWR	Calves		
						Wgt kg	Wgt kg Ind	kg	kg	kg	365d Ind	540d Ind	Ind	Ind	(mm)	(mm)	(mm)			

Pregnant Cows

80	P.F. SCHEEPERS	CEF 090191 SP	CEF 060349	PW540	69	138	95	124	141	135	113	104	91	134	131	-	318	Dragtig van MS ;KI: CEF 13-317 ;NAT: BBM 15-057
					4.35	30.2	0.06	10.3	55.0	45.9	153	-54	1.9	29	57	7.09	9.7	
			CEF 010098	30.09.09	37													
81	P.F. SCHEEPERS	CEF 090193 SP	CEF 060349	PW540	67	133	115	111	151	139	98	97	97	94	105	-	297	Dragtig van MS ;KI: CEF 13-317 ;NAT: BBM 15-057
					4.56	28.1	-0.88	6.9	67.0	48.5	84	-39	6.8	-3	20	7.55	9.7	
			CEF 040090	01.10.09	40													
82	P.F. SCHEEPERS	CEF 090206 SP	CEF 060349	PW540	78	141	117	93	126	138	109	99	100	108	119	-	310	Dragtig van MS ;KI: CEF 13-317 ;NAT: BBM 15-057
					3.40	31.9	-0.98	1.8	39.0	47.9	136	-45	8.9	8	40	8.16	9.7	
			CEF 040045	08.10.09	35													
83	P.F. SCHEEPERS	CEF 090071 SP	GJN 040173	PW540	103	94	105	95	143	85	73	80	70	108	97	-	313	Dragtig van MS ;KI: CEF 13-317 ;NAT: BBM 15-057
					0.75	10.6	-0.43	2.3	58.0	10.8	-30	-4	-14.9	8	10	3.69	10.2	
			CEF 020171	22.04.09	25													
84	P.F. SCHEEPERS	CEF 090234 SP	CEF 070468	PW365	92	106	97	85	109	105	95	100	86	91	99	-	450	Dragtig van CEF 16-431
					1.85	15.7	-0.03	-0.4	20.0	25.0	72	-47	-2.3	-5	13	7.14	9.7	
			CEF 070160	21.10.09	31													
85	P.F. SCHEEPERS	VV 090290 SP	VV 030346	PW540	111	106	92	130	80	114	110	110	119	99	108	-	241	Dragtig van CEF 15-315
					-0.10	15.7	0.18	11.9	-12.0	31.0	138	-67	24.3	1	24	6.68	9.7	
			VV 050335	17.10.09	32													


Breed Average

1.03	13.2	-0.19	3.7	10	21.4	94	-46	9.3	2	14
------	------	-------	-----	----	------	----	-----	-----	---	----

Lot 80 Dragtig van MS
 KI: CEF 13-317
 NAT: BBM 15-057

CE090191
 SPN Mat. 124
 AFC 31
 ICP 384
 RI 110
 Age/Calv. 9/7
 Avg. WI/Calf 108/7

CE060349
 SPN Mat. 92



CE010098
 SPN Mat. 116
 Age/Calv. 10/8
 Avg. WI/Calf 101/8

CE020328
 SPN Mat. 90

CE960086
 Elite-Gold
 AFC 31 SPN Mat. 96
 ICP 366 Age/Calv. 16/14
 Avg. WI/Calf 102/13

SAS 960037
 SPN Mat. 125


CE900104
 SPN Mat. 94
 Age/Calv. 13/11
 Avg. WI/Calf 95/11

CE000278
 SPN Mat. 65
CE990108
 SPN Mat. 99
NPT 910022
 SPN Mat. 106
CE J 0033
 SPN Mat. 87
NPT 910040
 SPN Mat. 96
SAS L 0033
 SPN Mat. 121
HOT C 0074
 SPN Mat. 97
CE H 0214
 SPN Mat. 83

Lot 81 Dragtig van MS
 KI: CEF 13-317
 NAT: BBM 15-057

CE090193
 SPN Mat. 111
 AFC 35
 ICP 368
 RI 110
 Age/Calv. 9/7
 Avg. WI/Calf 106/8

CE060349
 SPN Mat. 92



CE010375
 SPN Mat. 100

CE040090
 Elite-Gold
 AFC 27 SPN Mat. 92
 ICP 371 Age/Calv. 10/9
 RI 116 Avg. WI/Calf 96/9


CE000125
 SPN Mat. 86
 Age/Calv. 12/10
 Avg. WI/Calf 100/9

CE000278
 SPN Mat. 65
CE990108
 SPN Mat. 99
NPT 910022
 SPN Mat. 106
CE J 0033
 SPN Mat. 87
CE950270
 SPN Mat. 108
CE960086
 SPN Mat. 96
LAR 970024
 SPN Mat. 77
CE970013
 SPN Mat. 88

Lot 82 Dragtig van MS
 KI: CEF 13-317
 NAT: BBM 15-057

CE090206
 SPN Mat. 93
 AFC 30
 ICP 386
 RI 110
 Age/Calv. 9/7
 Avg. WI/Calf 101/7

CE060349
 SPN Mat. 92



CE040045
 SPN Mat. 89
 Age/Calv. 6/4
 Avg. WI/Calf 101/4

CE020328
 SPN Mat. 90

CE960086
 Elite-Gold
 AFC 31 SPN Mat. 96
 ICP 366 Age/Calv. 16/14
 Avg. WI/Calf 102/13

CE000275
 SPN Mat. 84


CE990135
 SPN Mat. 84
 Age/Calv. 7/5
 Avg. WI/Calf 98/4

CE000278
 SPN Mat. 65
CE990108
 SPN Mat. 99
NPT 910022
 SPN Mat. 106
CE J 0033
 SPN Mat. 87
LAR 960037
 SPN Mat. 94
CE910002
 SPN Mat. 85
CE940279
 SPN Mat. 87
CE960010
 SPN Mat. 77

Lot 83 Dragtig van MS
 KI: CEF 13-317
 NAT: BBM 15-057

CE090071
 SPN Mat. 95
 AFC 35
 ICP 390
 RI 106
 Age/Calv. 9/7
 Avg. WI/Calf 100/7

GJN 040173
 SPN Mat. 102



CE020171
 SPN Mat. 80

WAT 010063
 SPN Mat. 79

GJN 960005
 AFC 33 SPN Mat. 111
 ICP 343 Age/Calv. 10/9
 Avg. WI/Calf 107/7

RCO 980127
 SPN Mat. 81


CE950055
 AFC 33 SPN Mat. 86
 ICP 397 Age/Calv. 15/12
 Avg. WI/Calf 102/11

WAT 990122
 SPN Mat. 92
WAT 980046
 SPN Mat. 118
EI 900113
 SPN Mat. 95
GV D 0019
 SPN Mat. 103
RCO 910195
 SPN Mat. 67
RCO 910011
 SPN Mat. 92
LA 910155
 SPN Mat. 66
CE930035
 SPN Mat. 103

Lot 84 Dragtig van CEF 16-431

CE090234
 SPN Mat. 85
 AFC 29
 ICP 368
 RI 115
 Age/Calv. 8/7
 Avg. WI/Calf 95/7

CE070468
 SPN Mat. 94



CE070160
 SPN Mat. 95
 Age/Calv. 8/6
 Avg. WI/Calf 104/6

CE030447
 SPN Mat. 96

CE000042
 AFC 29 SPN Mat. 109
 ICP 371 Age/Calv. 12/10
 Avg. WI/Calf 107/9

CE040431
 SPN Mat. 92


CE020088
 AFC 32 SPN Mat. 92
 ICP 404 Age/Calv. 9/7
 Avg. WI/Calf 101/7

CE990287
 SPN Mat. 98
CE940048
 SPN Mat. 109
CE980244
 SPN Mat. 87
CE970137
 SPN Mat. 90
CE020328
 SPN Mat. 90
CE950055
 SPN Mat. 86
V 970132
 SPN Mat. 111
CE000027
 SPN Mat. 68

Lot 85 Dragtig van CEF 15-315

CE090290
 SPN Mat. 130
 AFC 30
 ICP 396
 RI 109
 Age/Calv. 9/7
 Avg. WI/Calf 105/7

VV 030346
 SPN Mat. 115



VV 050335
 Elite-Bronze
 AFC 30 SPN Mat. 132
 ICP 401 Age/Calv. 9/7
 RI 108 Avg. WI/Calf 106/7

VV 000318
 SPN Mat. 87

VV 970265
 AFC 25 SPN Mat. 137
 ICP 430 Age/Calv. 15/12
 Avg. WI/Calf 114/9

VV 010292
 SPN Mat. 130

VV 020050
 AFC 25 SPN Mat. 110
 ICP 430 Age/Calv. 4/3
 Avg. WI/Calf 101/2

VV 970236
 SPN Mat. 86
VV 950055
 SPN Mat. 112
VV 950051
 SPN Mat. 97
BG 920057
 SPN Mat. 104
B 970059
 SPN Mat. 115
VV 960374
 SPN Mat. 139
VV 990318
 SPN Mat. 107
VV 940320
 SPN Mat. 110


VROULIKE DIERE

Lot	Verkoper	ID	OUERS	Toets	Teelwaarde indekse												Dae Oop	Gebruiker Eie Opmerkings					
					VADER GV OV	Genomies Getoets	Geb Dir		Speen Dir		Geb Mat	Speen Mat	Volw Gew	Naspeen		GDT			VOV	SO	Hgt	Lgt	LHV
							DNS	Akk	Akk	Akk	Akk	Akk	Akk	Akk	Akk	Akk			Akk	Akk	Akk	Akk	Akk
Gen	MOEDER GV OV	Geb. dat.	Gew kg	Gew kg	Ind	kg	kg	kg	365d Ind	540d Ind	Ind	Ind	(mm)	(mm)	(mm)	SGV	Kalwers						

Dragtige Koeie


86	P.F. SCHEEPERS	CEF 090192	LAR 050023	NS540	72	121	102	85	105	118	105	96	118	119	116	-	268	Dragtig van CEF 16-326	
			SP	CEF 040086	30.09.09	3.96	22.7	-0.30	-0.6	15.0	34.0	119	-38	23.7	18	36	8.41		9.7
						85	81	80	83	67	73	68	25	73	74	72	41.1		7
87	P.F. SCHEEPERS	CEF 090022	GJN 040173	NS540	91	87	82	99	104	84	75	79	87	93	91	-	313	Dragtig van CEF 15-315	
			SP	CEF 000284	23.03.09	2.01	7.4	0.62	3.3	14.0	10.5	-20	-2	-0.8	-3	2	6.93		10.3
						85	81	79	84	66	72	64	37	70	71	69	33.8		7
88	P.F. SCHEEPERS	CEF 090087	LAR 050023	NS540	77	126	112	105	126	126	117	103	128	121	121	-	321	Dragtig van MS ;KI: CEF 13-317 ;NAT: BBM 15-057	
			SP	CEF 040168	14.05.09	3.49	25.1	-0.74	5.0	39.0	39.3	171	-52	31.4	19	43	5.89		10.1
						85	81	81	84	66	74	60	22	64	64	63	38.9		8
89	P.F. SCHEEPERS	CEF 090254	CEF 060349	NS540	65	130	101	76	137	128	98	99	97	102	103	-	321	Dragtig van CEF 15-315	
			SP	CEF 010136	01.11.09	4.70	26.9	-0.24	-2.9	50.0	40.5	87	-44	7.1	3	18	8.44		9.7
						85	82	80	84	66	74	61	27	66	67	65	39.2		7
90	P.F. SCHEEPERS	CEF 090010	CEF 060309	NS540	112	98	113	77	96	94	88	91	107	85	94	-	241	Dragtig van CEF 15-315	
			SP	CEF 060120	09.03.09	-0.27	12.4	-0.78	-2.7	5.0	17.2	39	-26	14.6	-10	6	6.7		10.3
						84	81	79	84	65	70	62	24	68	69	67	-		7
91	P.F. SCHEEPERS	CEF 090219	CEF 070417	NS540	108	97	71	68	111	100	90	86	88	90	91	-	308	Dragtig van CEF 15-315	
			SP	CEF 070035	14.10.09	0.22	11.7	1.12	-5.2	22.0	21.4	47	-16	-0.4	-6	1	7.77		9.7
						84	80	79	82	63	71	54	21	60	60	59	47.5		7

Lot 86 Dragtig van CEF 16-326

<p>CEFO 090192 SPN Mat. 85 OEK 29 TKP 399 RI 109 Oud/Kalw. 9/7 Gem. Si/Kalf 97/7</p>	<p>LAR 050023 SPN Mat. 94</p>  <p>CEFO 040086</p>	<p>LAR 010297 SPN Mat. 71</p> <p>LAR 970059 OEK 35 SPN Mat. 113 TKP 445 Oud/Kalw. 13/9 Gem. Si/Kalf 109/8</p> <p>CEFO 990259 SPN Mat. 85</p> <p>CEFO 950119 OEK 31 SPN Mat. 79 TKP 373 Oud/Kalw. 13/11 Gem. Si/Kalf 99/11</p>
---------------------------------------------------------------------------------------------------------------------	------------------------------------------------------------------------------------------------------------------------------------------------------	-------------------------------------------------------------------------------------------------------------------------------------------------------------------------------------------------------------------------------------------------------------------------------------------


	<p>AG 920097</p>	<p>SPN Mat. 49 LAR 960332 SPN Mat. 113 JH L 0321 SPN Mat. 135 LAR 940311 SPN Mat. 87 NPT 910020 SPN Mat. 87 CEFO 930130 SPN Mat. 87 NFS 910339 SPN Mat. 42 CEFO 920153 SPN Mat. 106</p>
--	-------------------------	--------------------------------------------------------------------------------------------------------------------------------------------------------------------------------------------------------------------------------------------------------------------------------------------------

Lot 87 Dragtig van CEF 15-315

<p>CEFO 090022 SPN Mat. 99 OEK 30 TKP 422 RI 105 Oud/Kalw. 9/7 Gem. Si/Kalf 94/7</p>	<p>GJN 040173 SPN Mat. 102</p>  <p>CEFO 000284</p>	<p>WAT 010063 SPN Mat. 79</p> <p>GJN 960005 OEK 33 SPN Mat. 111 TKP 343 Oud/Kalw. 10/9 Gem. Si/Kalf 107/7</p> <p>LAR 970024 SPN Mat. 77</p> <p>CEFO 970045 OEK 28 SPN Mat. 89 TKP 395 Oud/Kalw. 3/2 Gem. Si/Kalf 99/2</p>
---------------------------------------------------------------------------------------------------------------------	---------------------------------------------------------------------------------------------------------------------------------------------------------	---------------------------------------------------------------------------------------------------------------------------------------------------------------------------------------------------------------------------------------------------------------------------------------


	<p>WAT 990122</p>	<p>SPN Mat. 92 WAT 980046 SPN Mat. 118 EI 900113 SPN Mat. 95 GV D 0019 SPN Mat. 103 AG 920097 SPN Mat. 49 TE E 0145 SPN Mat. 79 LTS 900102 SPN Mat. 85 CEFO 910102 SPN Mat. 87</p>
--	--------------------------	---------------------------------------------------------------------------------------------------------------------------------------------------------------------------------------------------------------------------------------------------------------------------------------------

Lot 88 Dragtig van MS
KI: CEF 13-317
NAT: BBM 15-057

<p>CEFO 090087 SPN Mat. 105 OEK 28 TKP 361 RI 117 Oud/Kalw. 9/8 Gem. Si/Kalf 109/7</p>	<p>LAR 050023 SPN Mat. 94</p>  <p>CEFO 040168</p>	<p>LAR 010297 SPN Mat. 71</p> <p>LAR 970059 OEK 35 SPN Mat. 113 TKP 445 Oud/Kalw. 13/9 Gem. Si/Kalf 109/8</p> <p>V 970132 SPN Mat. 111</p> <p>CEFO 000027 OEK 27 SPN Mat. 68 TKP 378 Oud/Kalw. 13/11 Gem. Si/Kalf 101/11</p>
-----------------------------------------------------------------------------------------------------------------------	------------------------------------------------------------------------------------------------------------------------------------------------------	------------------------------------------------------------------------------------------------------------------------------------------------------------------------------------------------------------------------------------------------------------------------------------------


	<p>AG 920097</p>	<p>SPN Mat. 49 LAR 960332 SPN Mat. 113 JH L 0321 SPN Mat. 135 LAR 940311 SPN Mat. 87 V 940256 SPN Mat. 92 V 920129 SPN Mat. 132 CEFO 970245 SPN Mat. 36 CEFO 920121 SPN Mat. 78</p>
--	-------------------------	----------------------------------------------------------------------------------------------------------------------------------------------------------------------------------------------------------------------------------------------------------------------------------------------

Lot 89 Dragtig van CEF 15-315

<p>CEFO 090254 SPN Mat. 76 OEK 30 TKP 383 RI 111 Oud/Kalw. 9/7 Gem. Si/Kalf 95/7</p>	<p>CEFO 060349 SPN Mat. 92</p>  <p>CEFO 010136</p>	<p>CEFO 020328 SPN Mat. 90</p> <p>Elite-Goud CEFO 960086 OEK 31 SPN Mat. 96 TKP 366 Oud/Kalw. 16/14 Gem. Si/Kalf 102/13</p> <p>CEFO 950210 SPN Mat. 96</p> <p>CEFO 960088 OEK 32 SPN Mat. 110 TKP 426 Oud/Kalw. 13/10 Gem. Si/Kalf 109/9</p>
---------------------------------------------------------------------------------------------------------------------	---------------------------------------------------------------------------------------------------------------------------------------------------------	--------------------------------------------------------------------------------------------------------------------------------------------------------------------------------------------------------------------------------------------------------------------------------------------------------------


	<p>CEFO 000278</p>	<p>SPN Mat. 65 CEFO 990108 SPN Mat. 99 NPT 910022 SPN Mat. 106 CEFO J 0033 SPN Mat. 87 CEFO 920210 SPN Mat. 110 CEFO 920097 SPN Mat. 96 LA 910155 SPN Mat. 66 CEFO E 0052 SPN Mat. 111</p>
--	---------------------------	-----------------------------------------------------------------------------------------------------------------------------------------------------------------------------------------------------------------------------------------------------------------------------------------------------

Lot 90 Dragtig van CEF 15-315

<p>CEFO 090010 SPN Mat. 77 OEK 30 TKP 434 RI 103 Oud/Kalw. 10/7 Gem. Si/Kalf 94/7</p>	<p>CEFO 060309 SPN Mat. 92</p>  <p>CEFO 060120</p>	<p>CEFO 030417 SPN Mat. 105</p> <p>CEFO 030135 OEK 30 SPN Mat. 90 TKP 369 Oud/Kalw. 8/6 Gem. Si/Kalf 98/5</p> <p>CEFO 040315 SPN Mat. 82</p> <p>Elite-Goud CEFO 040090 OEK 27 SPN Mat. 92 TKP 371 Oud/Kalw. 10/9 Gem. Si/Kalf 96/9</p>
----------------------------------------------------------------------------------------------------------------------	---------------------------------------------------------------------------------------------------------------------------------------------------------	--------------------------------------------------------------------------------------------------------------------------------------------------------------------------------------------------------------------------------------------------------------------------------------------------------

	<p>CEFO 000225</p>	<p>SPN Mat. 90 CEFO 980112 SPN Mat. 105 CEFO 990287 SPN Mat. 98 CEFO 950069 SPN Mat. 83 CEFO 010331 SPN Mat. 38 CEFO 010137 SPN Mat. 113 CEFO 010375 SPN Mat. 100 CEFO 000125 SPN Mat. 86</p>
--	---------------------------	--------------------------------------------------------------------------------------------------------------------------------------------------------------------------------------------------------------------------------------------------------------------------------------------------------

Lot 91 Dragtig van CEF 15-315

<p>CEFO 090219 SPN Mat. 68 OEK 35 TKP 364 RI 111 Oud/Kalw. 9/7 Gem. Si/Kalf 93/6</p>	<p>CEFO 070417 SPN Mat. 94</p>  <p>CEFO 070035</p>	<p>CEFO 040458 SPN Mat. 91</p> <p>CEFO 040208 OEK 32 SPN Mat. 102 TKP 376 Oud/Kalw. 8/6 Gem. Si/Kalf 105/6</p> <p>CEFO 030450 SPN Mat. 69</p> <p>CEFO 970094 OEK 31 SPN Mat. 58 TKP 364 Oud/Kalw. 10/8 Gem. Si/Kalf 89/8</p>
---------------------------------------------------------------------------------------------------------------------	-----------------------------------------------------------------------------------------------------------------------------------------------------------	------------------------------------------------------------------------------------------------------------------------------------------------------------------------------------------------------------------------------------------------------------------------------------------

	<p>CEFO 020321</p>	<p>SPN Mat. 119 CEFO 950069 SPN Mat. 83 CEFO 010428 SPN Mat. 107 CEFO 940099 SPN Mat. 87 CEFO 990287 SPN Mat. 98 CEFO 960050 SPN Mat. 99 NPT 910022 SPN Mat. 106 CEFO 950035 SPN Mat. 76</p>
--	---------------------------	-------------------------------------------------------------------------------------------------------------------------------------------------------------------------------------------------------------------------------------------------------------------------------------------------------




FEMALE ANIMALS

Lot	Seller	ID	PARENTS	Test	Breeding Value Indexes											Days Open	Breeder Own Remarks		
					DIRECT CALF TRAITS		DAUGHTER TRAITS			GROWTH		EFF.	REP	MEASURE-MENTS				R:	
					Progeny Birth Weight	Progeny Wean Weight	Ease of Calving	Milk prod.	Mature Weight	Post Wean Weight	Daily Gain	Feed Conv			Height & Length				
			SIRE GV PV	Genomic Tested	Birth Dir	Wean Dir	Birth Mat	Wean Mat	Mat Wgt	Post Wean	ADG	FCR	SC	Hgt	Lgt	LHR	Age		
		POLLED	DAM GV PV	DNA	Acc	Acc	Acc	Acc	Acc	Acc	Acc	Acc	Acc	Acc	Acc	BWR		Calves	
		Gen	Birth Date	Wgt kg	Wgt kg	Ind	kg	kg	kg	365d Ind	540d Ind	Ind	Ind	(mm)	(mm)	(mm)			WWR




Pregnant Cows

92	P.F. SCHEEPERS	VV 090285 SP	VV 060311	PW540	98	112	126	111	107	111	104	91	104	100	113	-	275	Dragtig van CEF 13-548
				DNA	1.29	18.6	-1.35	6.7	18.0	28.9	111	-28	12.6	2	31	7.89	9.7	
			VV 030237	15.10.09	85	82	78	83	65	72	63	41	69	70	68	49	7	
93	P.F. SCHEEPERS	VV 090487 SP	VV 060294	PW540	97	111	108	97	96	108	105	101	107	108	112	-	254	Dragtig van CEF 16-326
				DNA	1.38	17.9	-0.56	2.8	5.0	27.0	118	-48	15.1	9	31	7.82	9.6	
			VV 020125	17.11.09	85	82	80	83	69	74	65	46	69	69	68	46.4	7	
94	P.F. SCHEEPERS	VV 090491 SP	VV 070064	PW540	99	107	96	130	84	104	94	115	103	100	101	-	240	Dragtig van CEF 15-315
				DNA	1.15	16.1	0.00	12.0	-8.0	23.9	69	-77	11.6	2	16	8.68	9.6	
			VV 070026	17.11.09	84	80	76	82	62	69	54	42	60	61	59	59.1	7	
95	P.F. SCHEEPERS	CEF 090141 SP	CEF 070452	PW540	113	112	145	94	104	112	106	105	97	88	100	-	448	Dragtig van CEF 16-431
				DNA	-0.32	18.6	-2.24	2.1	14.0	29.6	120	-57	6.8	-8	13	5.33	9.8	
			CEF 060047	03.09.09	82	78	74	80	61	68	63	25	69	70	68	44.3	6	
96	P.F. SCHEEPERS	CEF 090070 SP	CEF 030447	PW540	111	103	110	108	100	105	98	99	104	93	95	-	259	Dragtig van CEF 16-326
				DNA	-0.12	14.5	-0.66	6.0	9.0	24.6	84	-43	12.3	-4	6	4.84	10.2	
			GBS 990132	21.04.09	85	82	81	84	66	75	65	50	69	69	68	33.3	7	
97	P.F. SCHEEPERS	CEF 090143 SP	CEF 070425	PW540	109	85	113	85	119	90	78	76	92	86	88	-	413	Dragtig van MS ; CEF 14-440 ; CEF 17-346
				DNA	0.11	6.3	-0.76	-0.3	31.0	14.4	-7	6	3.3	-10	-3	5.82	9.8	
			CEF 050001	03.09.09	84	82	79	85	75	74	62	47	68	70	67	40.1	7	


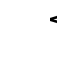
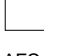
Lot 92 Dragtig van CEF 13-548

Elite-Silver VV 090285 SPN Mat. 111 AFC 33 ICP 379 RI 110 Age/Calv. 9/7 Avg. WI/Calf 104/7	 VV 060311 SPN Mat. 106 Silver		VV 040014 SPN Mat. 102	VV 020102 AFC 29 SPN Mat. 101 ICP 376 Age/Calv. 5/4 Avg. WI/Calf 100/4	VV 010075 SPN Mat. 103		VV 010125 AFC 28 SPN Mat. 104 ICP 366 Age/Calv. 13/12 Avg. WI/Calf 103/11	VV 010112 SPN Mat. 127 VV 990026 SPN Mat. 81 VV 000001 SPN Mat. 87 VV 990285 SPN Mat. 106 B 970059 SPN Mat. 115 BG L 0042 SPN Mat. 87 VV 980271 SPN Mat. 92 VV 940292 SPN Mat. 91



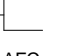
Lot 93 Dragtig van CEF 16-326

VV 090487 SPN Mat. 97 AFC 35 ICP 366 RI 110 Age/Calv. 9/7 Avg. WI/Calf 102/6	 VV 060294 SPN Mat. 81 Gold		VV 040014 SPN Mat. 102	VV 990390 AFC 24 SPN Mat. 109 ICP 384 Age/Calv. 12/11 Avg. WI/Calf 106/11	VV 990017 SPN Mat. 92		BG 940026 AFC 33 SPN Mat. 102 ICP 363 Age/Calv. 14/12 Avg. WI/Calf 101/12	VV 010112 SPN Mat. 127 VV 990026 SPN Mat. 81 VV 970068 SPN Mat. 93 VV 910324 SPN Mat. 115 VV 960318 SPN Mat. 77 VV 940321 SPN Mat. 95 EI 900081 SPN Mat. 76 BG E 0090 SPN Mat. 132




Lot 94 Dragtig van CEF 15-315

Elite-Silver VV 090491 SPN Mat. 130 AFC 35 ICP 369 RI 110 Age/Calv. 9/7 Avg. WI/Calf 110/7	 VV 070064 SPN Mat. 113 Silver		VV 040257 SPN Mat. 101	VV 020044 AFC 29 SPN Mat. 105 ICP 388 Age/Calv. 12/10 Avg. WI/Calf 100/9	VV 040251 SPN Mat. 110		VV 040379 AFC 29 SPN Mat. 120 ICP Age/Calv. 2/1 Avg. WI/Calf 107/1	VV 020135 SPN Mat. 119 VV 010125 SPN Mat. 104 VV 990017 SPN Mat. 92 VV 950044 SPN Mat. 98 VV 020021 SPN Mat. 99 VV 020068 SPN Mat. 84 VV 010292 SPN Mat. 130 VV 010016 SPN Mat. 97




Lot 95 Dragtig van CEF 16-431

CEF 090141 SPN Mat. 94 AFC 31 ICP 436 RI 101 Age/Calv. 9/6 Avg. WI/Calf 100/6	 CEF 070452 SPN Mat. 95		CEF 040431 SPN Mat. 92	CEF 990033 AFC 29 SPN Mat. 98 ICP 366 Age/Calv. 14/13 Avg. WI/Calf 103/12	CEF 010375 SPN Mat. 100		CEF 000284 AFC 29 SPN Mat. 107 ICP 365 Age/Calv. 11/10 Avg. WI/Calf 108/9	CEF 020328 SPN Mat. 90 CEF 950055 SPN Mat. 86 NPT 910020 SPN Mat. 87 CEF 940097 SPN Mat. 69 CEF 950270 SPN Mat. 108 CEF 960086 SPN Mat. 96 LAR 970024 SPN Mat. 77 CEF 970045 SPN Mat. 89

Lot 96 Dragtig van CEF 16-326

CEF 090070 SPN Mat. 108 AFC 29 ICP 430 RI 104 Age/Calv. 9/7 Avg. WI/Calf 108/6	 CEF 030447 SPN Mat. 96		CEF 990287 SPN Mat. 98	CEF 940048 AFC 32 SPN Mat. 109 ICP 398 Age/Calv. 15/12 Avg. WI/Calf 101/11	IVY 930217 SPN Mat. 43		GBS 900008 AFC 29 SPN Mat. 88 ICP 434 Age/Calv. 10/7 Avg. WI/Calf 98/7	CEF 950270 SPN Mat. 108 CEF 930129 SPN Mat. 110 CEF 920216 SPN Mat. 90 CEF 920044 SPN Mat. 112 IVY J 0234 SPN Mat. 78 IVY K 0106 SPN Mat. 50 RCO J 0030 SPN Mat. 117 GBS K 0036 SPN Mat. 73

Lot 97 Dragtig van MS CEF 14-440 CEF 17-346

CEF 090143 SPN Mat. 85 AFC 32 ICP 367 RI 112 Age/Calv. 9/7 Avg. WI/Calf 100/8	 CEF 070425 SPN Mat. 100		CEF 050392 SPN Mat. 75	CEF 050056 AFC 27 SPN Mat. 85 ICP 419 Age/Calv. 5/3 Avg. WI/Calf 90/3	CEF 010357 SPN Mat. 42		CEF 020042 AFC 35 SPN Mat. 86 ICP 373 Age/Calv. 6/4 Avg. WI/Calf 84/3	CEF 020328 SPN Mat. 90 CEF 000177 SPN Mat. 90 CEF 030333 SPN Mat. 65 CEF 020071 SPN Mat. 125 CEF 990221 SPN Mat. 77 CEF 980117 SPN Mat. 107 RCO 930139 SPN Mat. 131 CEF 970107 SPN Mat. 84

VROULIKE DIERE

Lot	Verkoper	ID	OUERS	Toets	Teelwaarde indekse											Dae Oop	Gebruiker Eie Opmerkings	
					DIREKTE KALF EIENSKAPPE		DOGTER EIENSKAPPE			GROEI		DOEL	REP	MATES				V:
		POENA	VADER GV OV	Genomies Getoets	Geb Dir	Speen Dir	Geb Mat	Speen Mat	Volwas- se Gewig	Naspeen- gewig	GDT	VOV	SO	Hgt	Lgt	LHV	Oud	
		Gen	MOEDER GV OV	DNS	Akk	Akk	Akk	Akk	Akk	Akk	Akk	Akk	Akk	Akk	Akk	GGV		Kalwers
				Geb. dat.	Gew kg	Gew kg	Ind	kg	kg	kg	365d Ind	540d Ind	Ind	Ind	(mm)	(mm)		

Dragtige Koeie


98	P.F. SCHEEPERS	CEF 090230 SP	LAR 050023	NS540	80	126	110	128	101	121	119	107	133	129	126	-	271	Dragtig van CEF 16-326
					3.15	24.7	-0.65	11.6	10.0	35.8	182	-62	35.6	25	51	7.48	9.7	
			CEF 040143	16.10.09	35													
99	P.F. SCHEEPERS	CEF 090060 SP	CEF 030447	NS540	117	90	113	86	80	88	88	92	87	79	86	-	312	Dragtig van CEF 15-315
					-0.73	8.6	-0.77	-0.3	-12.0	13.1	40	-29	-1.1	-15	-6	5.69	10.2	
			CEF 030118	DNS	17.04.09	29												
100	P.F. SCHEEPERS	CEF 090088 A	CEF 060478	NS540	92	120	122	102	99	116	115	107	108	110	112	-	304	Dragtig van CEF 15-315
					1.91	22.1	-1.20	4.2	9.0	32.3	161	-60	15.5	10	30	6.96	10.1	
			CEF 060069	DNS	15.05.09	30												
101	P.F. SCHEEPERS	CEF 090163 A		NS540	93	93	109	118	99	94	84	94	91	82	90	-	269	Dragtig van CEF 16-326
					1.73	9.9	-0.62	8.7	8.0	17.4	21	-33	1.7	-13	-1	6.41	9.8	
			CEF 050020		14.09.09	28												
102	P.F. SCHEEPERS	CEF 090017 A	CEF 060391	NS540	111	100	93	131	112	98	97	99	104	97	105	-	307	Dragtig van MS ;KI: CEF 13-317 ;NAT: BBM 15-057
					-0.11	13.1	0.11	12.3	23.0	20.1	78	-44	12.3	-1	21	6.51	10.3	
			CEF 060122	DNS	16.03.09	28												
103	P.F. SCHEEPERS	CEF 090050 SP	CEF 040462	NS540	77	103	126	88	95	94	90	92	89	94	97	-	252	Dragtig van CEF 13-437
					3.52	14.3	-1.37	0.5	5.0	17.2	48	-29	0.3	-3	10	7.68	10.2	
			CEF 040134	DNS	09.04.09	47												

BONNARA BEESTELINGSGENOOTSKAP VAN SA


Saamgestel deur die Suid-Afrikaanse Stamboek- en Veeverbeteringsvereniging

Veilingsdatum: 02/08/2019
Data soos op 26/06/2019 16:52:32


Lot 98 Dragtig van CEF 16-326

<p>CEF 090230 SPN Mat. 128 OEK 29 TKP 398 RI 110 Oud/Kalw. 9/7 Gem. SI/Kalf 102/8</p>	<p>LAR 050023 SPN Mat. 94</p> 	<p>LAR 010297 SPN Mat. 71</p> <p>LAR 970059 OEK 35 SPN Mat. 113 TKP 445 Oud/Kalw. 13/9 Gem. SI/Kalf 109/8</p> <p>CEF 020496 SPN Mat. 95</p> <p>CEF 020020 OEK 30 SPN Mat. 112 TKP Oud/Kalw. 2/1 Gem. SI/Kalf 107/1</p>	<p>AG 920097 SPN Mat. 49 LAR 960332 SPN Mat. 113 JH L 0321 SPN Mat. 135 LAR 940311 SPN Mat. 87 CEF 990287 SPN Mat. 98 CEF 990017 SPN Mat. 90 CEF 000207 SPN Mat. 100 CEF 990161 SPN Mat. 117</p>
----------------------------------------------------------------------------------------------------------------------	----------------------------------------------------------------------------------------------------------------------------	------------------------------------------------------------------------------------------------------------------------------------------------------------------------------------------------------------------------------------------------------------------------------------	----------------------------------------------------------------------------------------------------------------------------------------------------------------------------------------------------------------------------------------------------------------------------------------------------------------------


Lot 99 Dragtig van CEF 15-315

<p>CEF 090060 SPN Mat. 86 OEK 29 TKP 362 RI 116 Oud/Kalw. 9/8 Gem. SI/Kalf 97/8</p>	<p>CEF 030447 SPN Mat. 96</p> 	<p>CEF 990287 SPN Mat. 98</p> <p>CEF 940048 OEK 32 SPN Mat. 109 TKP 398 Oud/Kalw. 15/12 Gem. SI/Kalf 101/11</p> <p>CEF 000225 SPN Mat. 90</p> <p>CEF 930037 OEK 27 SPN Mat. 108 TKP 371 Oud/Kalw. 16/15 Gem. SI/Kalf 104/15</p>	<p>CEF 950270 SPN Mat. 108 CEF 930129 SPN Mat. 110 CEF 920216 SPN Mat. 90 CEF 920044 SPN Mat. 112 AG 960303 SPN Mat. 88 CEF 930047 SPN Mat. 98 LDW N 0141 SPN Mat. 84 CEF J 0082 SPN Mat. 111</p>
--------------------------------------------------------------------------------------------------------------------	------------------------------------------------------------------------------------------------------------------------------	---------------------------------------------------------------------------------------------------------------------------------------------------------------------------------------------------------------------------------------------------------------------------------------------	-----------------------------------------------------------------------------------------------------------------------------------------------------------------------------------------------------------------------------------------------------------------------------------------------------------------------


Lot 100 Dragtig van CEF 15-315

<p>Elite-Goud CEF 090088 SPN Mat. 102 OEK 28 TKP 365 RI 116 Oud/Kalw. 9/8 Gem. SI/Kalf 108/8</p>	<p>CEF 060478 SPN Mat. 65</p> 	<p>CEF 030416 SPN Mat. 50</p> <p>CEF 010150 OEK 30 SPN Mat. 92 TKP 434 Oud/Kalw. 6/4 Gem. SI/Kalf 103/4</p> <p>CEF 030417 SPN Mat. 105</p> <p>Elite-Silwer CEF 030123 OEK 31 SPN Mat. 109 TKP 384 Oud/Kalw. 10/8 Gem. SI/Kalf 101/7</p>	<p>CEF 010375 SPN Mat. 100 CEF 000022 SPN Mat. 93 CEF 990287 SPN Mat. 98 CEF 980039 SPN Mat. 63 CEF 000225 SPN Mat. 90 CEF 980112 SPN Mat. 105 CEF 990287 SPN Mat. 98 CEF 940055 SPN Mat. 102</p>
--------------------------------------------------------------------------------------------------------------------------------------------	----------------------------------------------------------------------------------------------------------------------------	----------------------------------------------------------------------------------------------------------------------------------------------------------------------------------------------------------------------------------------------------------------------------------------------------------------	-----------------------------------------------------------------------------------------------------------------------------------------------------------------------------------------------------------------------------------------------------------------------------------------------------------------------


Lot 101 Dragtig van CEF 16-326

<p>CEF 090163 SPN Mat. 118 OEK 30 TKP 398 RI 109 Oud/Kalw. 9/7 Gem. SI/Kalf 104/7</p>	<p>SPN Mat.</p> 	<p>SPN Mat.</p> <p>CEF 010357 SPN Mat. 42</p> <p>CEF 020144 OEK 31 SPN Mat. 89 TKP 385 Oud/Kalw. 12/10 Gem. SI/Kalf 102/10</p>	<p>SPN Mat.</p> <p>SPN Mat.</p> <p>SPN Mat.</p> <p>SPN Mat.</p> <p>SPN Mat.</p> <p>SPN Mat. 77 CEF 980117 SPN Mat. 107 CEF 990221 SPN Mat. 77 CEF 980057 SPN Mat. 89</p>
----------------------------------------------------------------------------------------------------------------------	-----------------------------------------------------------------------------------------------------	--------------------------------------------------------------------------------------------------------------------------------------------------------------	-----------------------------------------------------------------------------------------------------------------------------------------------------------------------------------------------------------------------

Lot 102 Dragtig van MS
KI: CEF 13-317
NAT: BBM 15-057

<p>CEF 090017 SPN Mat. 131 OEK * TKP 424 RI 103 Oud/Kalw. *7 Gem. SI/Kalf 106/7</p>	<p>CEF 060391 SPN Mat. 142</p> 	<p>RCO 010105 SPN Mat. 134</p> <p>CEF 020187 OEK 31 SPN Mat. 96 TKP 403 Oud/Kalw. 14/11 Gem. SI/Kalf 96/11</p> <p>CEF 030447 SPN Mat. 96</p> <p>Elite-Goud CEF 020089 OEK 23 SPN Mat. 113 TKP 373 Oud/Kalw. 10/9 Gem. SI/Kalf 102/8</p>	<p>AG 980338 SPN Mat. 87 RCO 980220 SPN Mat. 154 NPT 930047 SPN Mat. 81 CEF 960003 SPN Mat. 99 CEF 990287 SPN Mat. 98 CEF 940048 SPN Mat. 109 CEF 000267 SPN Mat. 114 CEF 000087 SPN Mat. 100</p>
--------------------------------------------------------------------------------------------------------------------	-------------------------------------------------------------------------------------------------------------------------------	----------------------------------------------------------------------------------------------------------------------------------------------------------------------------------------------------------------------------------------------------------------------------------------------------------------	-----------------------------------------------------------------------------------------------------------------------------------------------------------------------------------------------------------------------------------------------------------------------------------------------------------------------

Lot 103 Dragtig van CEF 13-437

<p>CEF 090050 SPN Mat. 88 OEK 29 TKP 435 RI 104 Oud/Kalw. 10/7 Gem. SI/Kalf 99/7</p>	<p>CEF 040462 SPN Mat. 80</p> 	<p>CEF 990259 SPN Mat. 85</p> <p>CEF 000050 OEK 27 SPN Mat. 111 TKP 371 Oud/Kalw. 13/12 Gem. SI/Kalf 102/12</p> <p>CEF 020406 SPN Mat. 99</p> <p>CEF 970065 OEK 32 SPN Mat. 105 TKP 401 Oud/Kalw. 7/5 Gem. SI/Kalf 101/5</p>	<p>NPT 910020 SPN Mat. 87 CEF 930130 SPN Mat. 87 CEF 960290 SPN Mat. 116 CEF 960003 SPN Mat. 99 NPT 930047 SPN Mat. 81 CEF 970108 SPN Mat. 110 CEF 930352 SPN Mat. 74 EMS E 0038 SPN Mat. 113</p>
---------------------------------------------------------------------------------------------------------------------	--------------------------------------------------------------------------------------------------------------------------------	------------------------------------------------------------------------------------------------------------------------------------------------------------------------------------------------------------------------------------------------------------------------------------------	-----------------------------------------------------------------------------------------------------------------------------------------------------------------------------------------------------------------------------------------------------------------------------------------------------------------------

FEMALE ANIMALS

Lot	Seller	ID POLLED Gen	PARENTS		Test Genomic Tested DNA Birth Date	Breeding Value Indexes										LHR BWR WWR	Days Open Age Calves	Breeder Own Remarks			
			SIRE GV PV	DAM GV PV		DIRECT CALF TRAITS		DAUGHTER TRAITS			GROWTH		EFF.	REP	MEASURE-MENTS				R:		
			Birth Dir Acc	Wean Dir Acc		Birth Mat Acc	Wean Mat Acc	Mat Wgt Acc	Post Wean Acc	ADG Acc	FCR Acc	SC Acc	Hgt Acc	Lgt Acc	Progeny Birth Weight				Progeny Wean Weight	Ease of Calving	Milk prod.


Pregnant Cows

104	P.F. SCHEEPERS	CEF 090180 SP	LDW 050057	PW540	97	89	129	118	92	90	98	95	97	95	98	-	255	Dragtig van CEF 13-437
			CEF 020092		1.34	8.0	-1.52	8.7	1.0	14.6	84	-35	7.2	-2	11	7.72	9.8	
				25.09.09	40													
105	P.F. SCHEEPERS	CEF 140235 SP	CEF 100481	PW365	116	99	93	115	97	100	98	97	92	77	102	-	223	Dragtig van LAR 16-004
			CEF 080021	DNA	-0.68	12.7	0.15	8.0	7.0	21.1	86	-39	3.2	-17	16	7.19	4.7	
				18.10.14	34													
106	P.F. SCHEEPERS	CEF 140048 SP	CEF 110301	PW365	107	120	124	80	93	116	110	96	108	100	110	-	249	Dragtig van LAR 16-004
			CEF 110124		0.23	22.2	-1.27	-1.9	2.0	32.5	137	-38	15.5	2	28	6.54	5.2	
				04.04.14	30													
107	P.F. SCHEEPERS	CEF 100105 SP	LAR 050159	PW365	86	113	106	79	123	112	100	102	98	99	97	-	473	Dragtig van CEF 13-437
			CEF 060162	DNA	2.56	19.3	-0.47	-2.1	36.0	29.4	93	-50	8.0	1	9	6.73	8.9	
				16.08.10	35													
108	P.F. SCHEEPERS	CEF 100165 SP	HOT 060054	PW365	73	128	99	121	112	133	123	98	118	123	125	-	307	Dragtig van CEF 13-437
			CEF 050016		3.84	25.8	-0.15	9.6	24.0	44.4	201	-43	23.9	20	49	8.84	8.8	
				25.09.10	38													
109	P.F. SCHEEPERS	CEF 120196 A	BP 090012	PW540	81	100	92	107	110	105	86	82	107	97	106	-	311	Dragtig van CEF 13-437
			CEF 060035	DNA	3.04	13.3	0.19	5.6	21.0	24.7	30	-7	14.8	-1	22	9.27	6.8	
				13.09.12	48													


Breed Average

1.03	13.2	-0.19	3.7	10	21.4	94	-46	9.3	2	14
------	------	-------	-----	----	------	----	-----	-----	---	----


Lot 104 Dragtig van CEF 13-437

<p>CEFO90180 SPN Mat. 118 AFC 35 ICP 372 RI 109 Age/Calv. 9/7 Avg. WI/Calf 101/7</p>	<p>LDW 050057 SPN Mat. 127</p>  <p>CEFO20092 SPN Mat. 90 Age/Calv. 11/9 Avg. WI/Calf 99/9</p>	<p>SAS 980121 SPN Mat. 97</p> <p>SAS 000126 AFC 30 SPN Mat. 131 ICP 393 Age/Calv. 9/7 Avg. WI/Calf 113/6 V 970132 SPN Mat. 111</p> <p>CEFO00078 AFC 27 SPN Mat. 74 ICP 369 Age/Calv. 9/8 Avg. WI/Calf 92/7</p>	<p>NPT 910022 SPN Mat. 106 ASE 920091 SPN Mat. 109 V 940377 SPN Mat. 95 SAS 940055 SPN Mat. 129 V 940256 SPN Mat. 92 V 920129 SPN Mat. 132 AG 960303 SPN Mat. 88 CEFO940097 SPN Mat. 69</p>
---------------------------------------------------------------------------------------------------------------------------------------------------------------------------------------------------------------------------	----------------------------------------------------------------------------------------------------------------------------------------------------------------------------------------------------------------------------------------------------------------------------------	-------------------------------------------------------------------------------------------------------------------------------------------------------------------------------------------------------------------------------------------------------------------------------------------------------------------------------------------------------------------------------------------------------------------------	----------------------------------------------------------------------------------------------------------------------------------------------------------------------------------------------------------------------------------------------------------------------------------------------------------------------------------------------------------------------------------------------------------------------------------------------------------------


Lot 105 Dragtig van LAR 16-004

<p>CEFO140235 SPN Mat. 115 AFC 28 ICP 625 RI 97 Age/Calv. 4/2 Avg. WI/Calf 100/1</p>	<p>CEFO100481 SPN Mat. 110</p>  <p>Elite-Silver CEFO80021 SPN Mat. 125 Age/Calv. 8/7 Avg. WI/Calf 104/7</p>	<p>CEFO80451 SPN Mat. 84</p> <p>CEFO70064 AFC 28 SPN Mat. 121 ICP 371 Age/Calv. 9/8 Avg. WI/Calf 101/8</p> <p>VV 040046 SPN Mat. 114</p> <p>CEFO980061 AFC 32 SPN Mat. 125 ICP 363 Age/Calv. 11/9 Avg. WI/Calf 108/8</p>	<p>CEFO60325 SPN Mat. 56 CEFO30103 SPN Mat. 96 CEFO30447 SPN Mat. 96 CEFO00124 SPN Mat. 119 VV 010292 SPN Mat. 130 VV 000092 SPN Mat. 99 CEFO950270 SPN Mat. 108 CEFO940107 SPN Mat. 92</p>
---------------------------------------------------------------------------------------------------------------------------------------------------------------------------------------------------------------------------	-------------------------------------------------------------------------------------------------------------------------------------------------------------------------------------------------------------------------------------------------------------------------------------------------------	------------------------------------------------------------------------------------------------------------------------------------------------------------------------------------------------------------------------------------------------------------------------------------------------------------------------------------------------------------------------------------------------------------------------------	----------------------------------------------------------------------------------------------------------------------------------------------------------------------------------------------------------------------------------------------------------------------------------------------------------------------------------------------------------------------------------------------------------------------------------------------------------------


Lot 106 Dragtig van LAR 16-004

<p>CEFO140048 SPN Mat. 80 AFC 29 ICP 383 RI 111 Age/Calv. 5/3 Avg. WI/Calf 110/3</p>	<p>CEFO110301 SPN Mat. 70</p>  <p>CEFO110124 SPN Mat. 59 Age/Calv. 6/3 Avg. WI/Calf 79/2</p>	<p>CEFO80338 SPN Mat. 94</p> <p>CEFO80218 AFC 29 SPN Mat. 87 ICP 370 Age/Calv. 7/6 Avg. WI/Calf 103/6 CEFO80426 SPN Mat. 67</p> <p>CEFO80225 AFC 34 SPN Mat. 94 ICP 368 Age/Calv. 8/6 Avg. WI/Calf 113/6</p>	<p>VV 040046 SPN Mat. 114 CEFO20109 SPN Mat. 107 CEFO60473 SPN Mat. 98 CEFO30199 SPN Mat. 69 CEFO40460 SPN Mat. 103 CEFO00050 SPN Mat. 111 CEFO50355 SPN Mat. 81 CEFO40062 SPN Mat. 75</p>
---------------------------------------------------------------------------------------------------------------------------------------------------------------------------------------------------------------------------	---------------------------------------------------------------------------------------------------------------------------------------------------------------------------------------------------------------------------------------------------------------------------------	-----------------------------------------------------------------------------------------------------------------------------------------------------------------------------------------------------------------------------------------------------------------------------------------------------------------------------------------------------------------------------------------------------------------------	---------------------------------------------------------------------------------------------------------------------------------------------------------------------------------------------------------------------------------------------------------------------------------------------------------------------------------------------------------------------------------------------------------------------------------------------------------------


Lot 107 Dragtig van CEF 13-437

<p>CEFO100105 SPN Mat. 79 AFC 31 ICP 455 RI 99 Age/Calv. 8/5 Avg. WI/Calf 94/5</p>	<p>LAR 050159 SPN Mat. 97</p>  <p>CEFO60162 SPN Mat. 85 Age/Calv. 6/4 Avg. WI/Calf 96/4</p>	<p>LAR 000084 SPN Mat. 102</p> <p>Elite-Gold LAR 000227 AFC 33 SPN Mat. 134 ICP 373 Age/Calv. 13/11 Avg. WI/Calf 105/10</p> <p>CEFO20328 SPN Mat. 90</p> <p>CEFO100009 AFC 36 SPN Mat. 99 ICP 445 Age/Calv. 5/3 Avg. WI/Calf 104/3</p>	<p>AG 960059 SPN Mat. 109 LAR 970205 SPN Mat. 83 VV 960318 SPN Mat. 77 LAR 920121 SPN Mat. 154 CEFO00278 SPN Mat. 65 CEFO990108 SPN Mat. 99 CEFO990265 SPN Mat. 84 AMF K 0117 SPN Mat. 102</p>
-------------------------------------------------------------------------------------------------------------------------------------------------------------------------------------------------------------------------	----------------------------------------------------------------------------------------------------------------------------------------------------------------------------------------------------------------------------------------------------------------------------------	-------------------------------------------------------------------------------------------------------------------------------------------------------------------------------------------------------------------------------------------------------------------------------------------------------------------------------------------------------------------------------------------------------------------------------------------------	-------------------------------------------------------------------------------------------------------------------------------------------------------------------------------------------------------------------------------------------------------------------------------------------------------------------------------------------------------------------------------------------------------------------------------------------------------------------

Lot 108 Dragtig van CEF 13-437

<p>CEFO100165 SPN Mat. 121 AFC 35 ICP 457 RI 95 Age/Calv. 8/5 Avg. WI/Calf 109/5</p>	<p>HOT 060054 SPN Mat. 117 Bronze</p>  <p>CEFO50016 SPN Mat. 88 Age/Calv. 14/12 Avg. WI/Calf 98/12</p>	<p>DB 000045 SPN Mat. 128</p> <p>SAS 000143 AFC 31 SPN Mat. 86 ICP 449 Age/Calv. 10/7 Avg. WI/Calf 99/7 CEFO30309 SPN Mat. 66</p> <p>CEFO20031 AFC 36 SPN Mat. 107 ICP 387 Age/Calv. 5/3 Avg. WI/Calf 102/3</p>	<p>AG 960059 SPN Mat. 109 HOT 920186 SPN Mat. 113 V 940377 SPN Mat. 95 ASE 950148 SPN Mat. 90 AG 950284 SPN Mat. 58 CEFO00198 SPN Mat. 112 RCO 930139 SPN Mat. 131 CEFO970057 SPN Mat. 78</p>
---------------------------------------------------------------------------------------------------------------------------------------------------------------------------------------------------------------------------	------------------------------------------------------------------------------------------------------------------------------------------------------------------------------------------------------------------------------------------------------------------------------------------------------------------	--------------------------------------------------------------------------------------------------------------------------------------------------------------------------------------------------------------------------------------------------------------------------------------------------------------------------------------------------------------------------------------------------------------------------	------------------------------------------------------------------------------------------------------------------------------------------------------------------------------------------------------------------------------------------------------------------------------------------------------------------------------------------------------------------------------------------------------------------------------------------------------------------

Lot 109 Dragtig van CEF 13-437

<p>CEFO120196 SPN Mat. 107 AFC 35 ICP 366 RI 106 Age/Calv. 6/4 Avg. WI/Calf 93/4</p>	<p>BP 090012 SPN Mat. 107</p>  <p>CEFO60035 SPN Mat. 123 Age/Calv. */10 Avg. WI/Calf 103/9</p>	<p>BP 060021 SPN Mat. 90</p> <p>BP 060012 AFC 35 SPN Mat. 129 ICP 427 Age/Calv. 9/6 Avg. WI/Calf 108/6</p>	<p>LAR 990404 SPN Mat. 60 BP 940034 SPN Mat. 124 BP 030020 SPN Mat. 137 BP 030054 SPN Mat. 93</p>
---------------------------------------------------------------------------------------------------------------------------------------------------------------------------------------------------------------------------	---------------------------------------------------------------------------------------------------------------------------------------------------------------------------------------------------------------------------------------------------------------------------------------	--------------------------------------------------------------------------------------------------------------------------------------------------------------------------------------------------------------	----------------------------------------------------------------------------------------------------------------------------------------------------------------------------------------------------------------------------------


VROULIKE DIERE

Lot	Verkoper	ID	OUERS	Toets	Teelwaarde indekse											Dae Oop	Gebruiker Eie Opmerkings	
					DIREKTE KALF EIENSKAPPE		DOGTER EIENSKAPPE			GROEI		DOEL	REP	MATES				V:
					Nageslag Geboortegewig	Nageslag Speengewig	Gemak van Kalwing	Melk prod.	Volwas-se Gewig	Naspeen-gewig	Daaglikse Toename	Voer-omset		Hoogte & Lengte				
POENA	Genomies Getoets	Geb Dir	Speen Dir	Geb Mat	Speen Mat	Volw Gew	Naspeen	GDT	VOV	SO	Hgt	Lgt	LHV					
Gen	DNS	Akk	Akk	Akk	Akk	Akk	Akk	Akk	Akk	Akk	Akk	Akk	Akk	GGV				
	MOEDER GV OV	Geb. dat.	Gew kg	Gew kg	Ind	kg	kg	kg	365d Ind	540d Ind	Ind	Ind	(mm)	(mm)	(mm)	SGV	Kalwers	


Dragtige Koeie

110	P.F. SCHEEPERS	CEF 130033	AG 070480	NS540	95	118	107	101	117	114	105	109	107	106	105	-	244	Dragtig van CEF 13-437
		SP	CEF 080226		1.57	21.3	-0.49	3.9	28.0	31.3	114	-64	14.9	7	21	6.17	6.3	
				24.03.13	35											44.7	4	
111	P.F. SCHEEPERS	CEF 140093	WAT 080080	NS365	93	101	101	104	109	103	99	101	96	88	95	-	309	Dragtig van CEF 13-437
		B	CEF 090163		1.75	13.6	-0.23	4.9	20.0	23.3	92	-48	6.4	-8	7	7.11	4.9	
				07.08.14	36											40.1	2	
112	P.F. SCHEEPERS	CEF 140101	ADV 090064	NS365	87	114	115	95	109	115	100	102	128	86	99	-	278	Dragtig van CEF 13-437
		SP	CEF 080027		2.39	19.5	-0.88	2.4	20.0	32.0	96	-50	31.6	-10	12	7.2	4.9	
				10.08.14	42											37.1	2	
113	P.F. SCHEEPERS	CEF 150005	CEF 120401	NS540	113	94	106	104	94	101	103	95	92	93	99	-	216	Dragtig van CEF 13-437
		SP	CEF 120222	DNS	-0.31	10.4	-0.46	4.8	3.0	21.9	106	-35	3.0	-4	12	7.71	4.3	
				03.03.15	29											46.3	2	
114	P.F. SCHEEPERS	CEF 150063	CEF 130322	NS540	111	100	98	114	111	109	114	102	109	120	116	-	218	Dragtig van CEF 13-437
		SP	CEF 120127	DNS	-0.12	13.3	-0.12	7.6	22.0	27.3	157	-50	16.8	18	36	5.94	4.2	
				29.03.15	29											42.5	2	
115	P.F. SCHEEPERS	CEF 150088	MRW 100125	NS540	113	95	98	79	114	94	94	94	81	88	92	-	227	Dragtig van CEF 13-437
		SP	CEF 090105		-0.39	10.8	-0.12	-2.2	26.0	17.4	67	-34	-5.7	-8	2	5.97	4.2	
				06.04.15	28											38.2	2	


Lot 110 Dragtig van CEF 13-437

<p>CEF 130033 SPN Mat. 101 OEK 29 TKP 389 RI 112 Oud/Kalw. 6/4 Gem. Si/Kalf 101/4</p>	<p>AG 070480 SPN Mat. 109</p>  <p>CEF 080226</p>	<p>AG 020251 SPN Mat. 119 Goud</p> <p>BZ 010192 SPN Mat. 111 Oud/Kalw. 8/6 Gem. Si/Kalf 101/6</p> <p>CEF 050450 SPN Mat. 67</p> <p>CEF 040138 SPN Mat. 126 Oud/Kalw. 4/2 Gem. Si/Kalf 110/2</p>	<p>AG 980338 SPN Mat. 87 AG 950206 SPN Mat. 126 AG 960315 SPN Mat. 99 GBS 920101 SPN Mat. 123 CEF 030416 SPN Mat. 50 CEF 000057 SPN Mat. 120 CEF 020496 SPN Mat. 95 CEF 020037 SPN Mat. 149</p>
----------------------------------------------------------------------------------------------------------------------------------------------------------------------------------------------------------------------------	----------------------------------------------------------------------------------------------------------------------------------------------------------------------	--------------------------------------------------------------------------------------------------------------------------------------------------------------------------------------------------------------------------------------------------------------------------------------------------------------------------------------------------------------------------------------------------------------------------	--------------------------------------------------------------------------------------------------------------------------------------------------------------------------------------------------------------------------------------------------------------------------------------------------------------------------------------------------------------------------------------------------------------------------------------------------------------------


Lot 111 Dragtig van CEF 13-437

<p>CEF 140093 SPN Mat. 104 OEK 36 TKP 366 RI 97 Oud/Kalw. 4/2 Gem. Si/Kalf 110/2</p>	<p>WAT 080080 SPN Mat. 66</p>  <p>CEF 090163</p>	<p>WAT 000200 SPN Mat. 112</p> <p>WAT 020167 SPN Mat. 55 Oud/Kalw. 14/11 Gem. Si/Kalf 93/9</p> <p>CEF 050020 SPN Mat. 62 Oud/Kalw. 4/2 Gem. Si/Kalf 94/2</p>	<p>BG 960125 SPN Mat. 102 WAT 960277 SPN Mat. 106 LEL 960073 SPN Mat. 97 WAT 960321 SPN Mat. 79</p> <p>SPN Mat.</p> <p>SPN Mat.</p> <p>CEF 010357 SPN Mat. 42 CEF 020144 SPN Mat. 89</p>
---------------------------------------------------------------------------------------------------------------------------------------------------------------------------------------------------------------------------	------------------------------------------------------------------------------------------------------------------------------------------------------------------------	--------------------------------------------------------------------------------------------------------------------------------------------------------------------------------------------------------------------------------------------------------------------------------------------------------------------------------------	--------------------------------------------------------------------------------------------------------------------------------------------------------------------------------------------------------------------------------------------------------------------------------------------------------------------------------------------------------------------------------------


Lot 112 Dragtig van CEF 13-437

<p>CEF 140101 SPN Mat. 95 OEK 31 TKP 563 RI 96 Oud/Kalw. 4/2 Gem. Si/Kalf 106/2</p>	<p>ADV 090064 SPN Mat. 70</p>  <p>CEF 080027</p>	<p>ADV 050053 SPN Mat. 90</p> <p>ADV 050171 SPN Mat. 72 Oud/Kalw. 13/11 Gem. Si/Kalf 101/10</p> <p>VV 040046 SPN Mat. 114</p> <p>CEF 020162 SPN Mat. 92 Oud/Kalw. 11/9 Gem. Si/Kalf 95/8</p>	<p>LAR 000265 SPN Mat. 86 AG 910100 SPN Mat. 112 SYF 030011 SPN Mat. 72 ADV 030039 SPN Mat. 77 VV 010292 SPN Mat. 130 VV 000092 SPN Mat. 99 NPT 990027 SPN Mat. 80 CEF 960088 SPN Mat. 110</p>
--------------------------------------------------------------------------------------------------------------------------------------------------------------------------------------------------------------------------	----------------------------------------------------------------------------------------------------------------------------------------------------------------------	--------------------------------------------------------------------------------------------------------------------------------------------------------------------------------------------------------------------------------------------------------------------------------------------------------------------------------------------------------------------------------------------------	-------------------------------------------------------------------------------------------------------------------------------------------------------------------------------------------------------------------------------------------------------------------------------------------------------------------------------------------------------------------------------------------------------------------------------------------------------------------


Lot 113 Dragtig van CEF 13-437

<p>CEF 150005 SPN Mat. 104 OEK 30 TKP 460 RI 105 Oud/Kalw. 4/2 Gem. Si/Kalf 107/2</p>	<p>CEF 120401 SPN Mat. 90</p>  <p>CEF 120222</p>	<p>CEF 080426 SPN Mat. 67</p> <p>CEF 080145 SPN Mat. 129 Oud/Kalw. 9/7 Gem. Si/Kalf 114/6</p> <p>CEF 100450 SPN Mat. 101</p> <p>CEF 100062 SPN Mat. 98 Oud/Kalw. 6/5 Gem. Si/Kalf 93/5</p>	<p>CEF 040460 SPN Mat. 103 CEF 000050 SPN Mat. 111 CEF 040458 SPN Mat. 91 CEF 980129 SPN Mat. 123 CEF 080439 SPN Mat. 88 CEF 080019 SPN Mat. 117 VV 040323 SPN Mat. 130 CEF 030186 SPN Mat. 82</p>
----------------------------------------------------------------------------------------------------------------------------------------------------------------------------------------------------------------------------	------------------------------------------------------------------------------------------------------------------------------------------------------------------------	------------------------------------------------------------------------------------------------------------------------------------------------------------------------------------------------------------------------------------------------------------------------------------------------------------------------------------------------------------------------------------------------	-----------------------------------------------------------------------------------------------------------------------------------------------------------------------------------------------------------------------------------------------------------------------------------------------------------------------------------------------------------------------------------------------------------------------------------------------------------------------

Lot 114 Dragtig van CEF 13-437

<p>CEF 150063 SPN Mat. 114 OEK 29 TKP 459 RI 107 Oud/Kalw. 4/2 Gem. Si/Kalf 96/1</p>	<p>CEF 130322 SPN Mat. 104</p>  <p>CEF 120127</p>	<p>CEF 100412 SPN Mat. 107</p> <p>Elite-Brons</p> <p>CEF 100170 SPN Mat. 98 Oud/Kalw. 8/6 Gem. Si/Kalf 99/6</p> <p>BP 090012 SPN Mat. 107</p> <p>CEF 040184 SPN Mat. 118 Oud/Kalw. 11/9 Gem. Si/Kalf 104/8</p>	<p>NPT 070170 SPN Mat. 80 CEF 000050 SPN Mat. 111 CEF 080338 SPN Mat. 94 CEF 070013 SPN Mat. 95 BP 060021 SPN Mat. 90 BP 060012 SPN Mat. 129 CEF 020321 SPN Mat. 119 CEF 980095 SPN Mat. 78</p>
---------------------------------------------------------------------------------------------------------------------------------------------------------------------------------------------------------------------------	-------------------------------------------------------------------------------------------------------------------------------------------------------------------------	--------------------------------------------------------------------------------------------------------------------------------------------------------------------------------------------------------------------------------------------------------------------------------------------------------------------------------------------------------------------------------------------------------------------	--------------------------------------------------------------------------------------------------------------------------------------------------------------------------------------------------------------------------------------------------------------------------------------------------------------------------------------------------------------------------------------------------------------------------------------------------------------------

Lot 115 Dragtig van CEF 13-437

<p>CEF 150088 SPN Mat. 79 OEK 29 TKP 439 RI 109 Oud/Kalw. 4/2 Gem. Si/Kalf 95/2</p>	<p>MRW 100125 SPN Mat. 88</p>  <p>CEF 090105</p>	<p>WSS 070005 P SPN Mat. 100</p> <p>MRW 020190 SPN Mat. 88 Oud/Kalw. 8/6 Gem. Si/Kalf 101/6</p> <p>CEF 070419 SPN Mat. 111</p> <p>CEF 070013 SPN Mat. 95 Oud/Kalw. 12/10 Gem. Si/Kalf 100/10</p>	<p>JPL 020071 P SPN Mat. 114 WVZ 010074 SPN Mat. 97 MRW 980206 SPN Mat. 71 MRW 940232 SPN Mat. 100 CEF 030401 SPN Mat. 104 CEF 030099 SPN Mat. 121 CEF 050355 SPN Mat. 81 CEF 020130 SPN Mat. 92</p>
--------------------------------------------------------------------------------------------------------------------------------------------------------------------------------------------------------------------------	--------------------------------------------------------------------------------------------------------------------------------------------------------------------------	------------------------------------------------------------------------------------------------------------------------------------------------------------------------------------------------------------------------------------------------------------------------------------------------------------------------------------------------------------------------------------------------------	-------------------------------------------------------------------------------------------------------------------------------------------------------------------------------------------------------------------------------------------------------------------------------------------------------------------------------------------------------------------------------------------------------------------------------------------------------------------------

FEMALE ANIMALS


Lot	Seller	ID	PARENTS	Test	Breeding Value Indexes											Days Open	Breeder Own Remarks						
					SIRE GV PV	Genomic Tested	Birth Dir		Wean Dir		Birth Mat	Wean Mat	Mat Wgt	Post Wean				ADG	FCR	SC	Hgt	Lgt	LHR
							DNA	Acc	Acc	Acc	Acc	Acc	Acc	Acc	Acc			Acc	Acc	Acc	Acc	Acc	Acc
		Gen	DAM GV PV	Birth Date	Wgt kg	Wgt kg	Ind	kg	kg	kg	365d Ind	540d Ind	Ind	Ind	(mm)	(mm)	(mm)	WWR	Age	Calves			

Pregnant Cows


116	P.F. SCHEEPERS	CEF 150129 SP	CEF 130340	PW365	106	104	130	93	103	105	102	101	106	97	99	-	451	Dragtig van CEF 13-437
					0.41	14.8	-1.56	1.9	13.0	24.8	101	-48	13.9	-1	12	6.9	3.9	
			CEF 120032	13.08.15	32													
117	P.F. SCHEEPERS	CEF 150133 SP	MCU 090078	PW365	111	101	123	91	84	99	99	95	103	100	102	-	451	Dragtig van CEF 13-437
			P		-0.16	13.4	-1.26	1.1	-8.0	20.5	89	-35	12.0	2	16	8.02	3.9	
			CEF 100163	DNA	15.08.15	32												
118	P.F. SCHEEPERS	CEF 150147 SP	CEF 130479	PW365	123	80	104	101	79	88	85	88	88	89	90	-	443	Dragtig van CEF 13-437
					-1.46	4.0	-0.36	4.0	-13.0	13.1	24	-20	-0.2	-7	-1	7.61	3.9	
			CEF 130005	15.08.15	30													
119	P.F. SCHEEPERS	CEF 150170 B	CEF 120367	PW365	104	101	128	94	135	113	101	95	97	95	102	-	329	Dragtig van CEF 13-437
					0.56	13.5	-1.46	2.1	48.0	30.2	100	-36	7.0	-2	17	6.47	3.8	
			CEF 100101	29.08.15	35													
120	P.F. SCHEEPERS	CEF 150183 SP	CEF 130479	PW365	108	94	93	103	84	102	96	87	91	94	99	-	471	Dragtig van CEF 13-437
					0.15	10.4	0.11	4.4	-8.0	22.5	75	-19	2.4	-3	12	7.93	3.8	
			CEF 130044	05.09.15	31													
121	P.F. SCHEEPERS	CEF 150205 SP	CEF 120401	PW365	97	103	84	99	114	111	97	88	88	99	103	-	450	Dragtig van CEF 13-437
					1.38	14.7	0.56	3.5	25.0	28.9	78	-20	-0.7	1	18	7.09	3.8	
			CEF 100127	DNA	20.09.15	37												

1.03	13.2	-0.19	3.7	10	21.4	94	-46	9.3	2	14
------	------	-------	-----	----	------	----	-----	-----	---	----


Lot 116 Dragtig van CEF 13-437

<p>CEF 150129 SPN Mat. 93 AFC 32 ICP RI 104 Age/Calv. 3/1 Avg. WI/Calf 110/1</p>	<p>CEF 130340 SPN Mat. 86</p> 	<p>CEF 110301 SPN Mat. 70</p> <p>CEF 100112 AFC 31 SPN Mat. 98 ICP 362 Age/Calv. 9/7 Avg. WI/Calf 97/6</p> <p>LAR 050159 SPN Mat. 97</p> <p>CEF 040030 AFC 29 SPN Mat. 73 ICP 414 Age/Calv. 10/8 Avg. WI/Calf 94/8</p>	<p>CEF 080338 SPN Mat. 94</p> <p>CEF 080218 SPN Mat. 87</p> <p>CEF 070468 SPN Mat. 94</p> <p>CEF 030165 SPN Mat. 101</p> <p>LAR 000084 SPN Mat. 102</p> <p>LAR 000227 SPN Mat. 134</p> <p>RCO 970028 SPN Mat. 103</p> <p>CEF 960072 SPN Mat. 58</p>
-----------------------------------------------------------------------------------------------------------------------------------------------------------------------------------------------------------------------	---------------------------------------------------------------------------------------------------------------------------------------------	----------------------------------------------------------------------------------------------------------------------------------------------------------------------------------------------------------------------------------------------------------------------------------------------------------------------------------------------------------------------------------------------------------------------------	-------------------------------------------------------------------------------------------------------------------------------------------------------------------------------------------------------------------------------------------------------------------------------------------------------------------------------------------------------------------------------------------------------------------------------------------------------------------------------------


Lot 117 Dragtig van CEF 13-437

<p>CEF 150133 SPN Mat. 91 AFC 32 ICP RI 104 Age/Calv. 3/1 Avg. WI/Calf 90/1</p>	<p>MCU 090078 P SPN Mat. 96</p> 	<p>CEF 050355 SPN Mat. 81</p> <p>MCU 030062 P AFC 38 SPN Mat. 108 ICP 485 Age/Calv. 7/4 Avg. WI/Calf 106/4</p> <p>GCD 030148 SPN Mat. 116</p> <p>CEF 100163 AFC 30 SPN Mat. 110 ICP 431 Age/Calv. 5/3 RI 105 Avg. WI/Calf 112/3</p>	<p>CEF 030309 SPN Mat. 66</p> <p>CEF 020044 SPN Mat. 72</p> <p>NFS 950146 P SPN Mat. 125</p> <p>MCU 010056 P SPN Mat. 59</p> <p>EI 940339 SPN Mat. 116</p> <p>GCD 940031 SPN Mat. 117</p> <p>HJL 950166 SPN Mat. 62</p> <p>CEF 990138 SPN Mat. 71</p>
----------------------------------------------------------------------------------------------------------------------------------------------------------------------------------------------------------------------	-------------------------------------------------------------------------------------------------------------------------------------------------	-----------------------------------------------------------------------------------------------------------------------------------------------------------------------------------------------------------------------------------------------------------------------------------------------------------------------------------------------------------------------------------------------------------------------------------------	---------------------------------------------------------------------------------------------------------------------------------------------------------------------------------------------------------------------------------------------------------------------------------------------------------------------------------------------------------------------------------------------------------------------------------------------------------------------------------------


Lot 118 Dragtig van CEF 13-437

<p>CEF 150147 SPN Mat. 101 AFC 32 ICP RI 104 Age/Calv. 3/1 Avg. WI/Calf 93/1</p>	<p>CEF 130479 SPN Mat. 108</p> 	<p>BP 090012 SPN Mat. 107</p> <p>Elite-Gold</p> <p>CEF 070107 AFC 29 SPN Mat. 101 ICP 365 Age/Calv. 11/10 Avg. WI/Calf 100/9</p> <p>AG 070480 SPN Mat. 109</p> <p>CEF 050032 AFC 33 SPN Mat. 89 ICP 398 Age/Calv. 14/11 Avg. WI/Calf 99/9</p>	<p>BP 060021 SPN Mat. 90</p> <p>BP 060012 SPN Mat. 129</p> <p>CEF 040431 SPN Mat. 92</p> <p>CEF 030141 SPN Mat. 119</p> <p>AG 020251 SPN Mat. 119</p> <p>BZ 010192 SPN Mat. 111</p> <p>CEF 020303 SPN Mat. 81</p> <p>CEF 020167 SPN Mat. 112</p>
-----------------------------------------------------------------------------------------------------------------------------------------------------------------------------------------------------------------------	----------------------------------------------------------------------------------------------------------------------------------------------	---------------------------------------------------------------------------------------------------------------------------------------------------------------------------------------------------------------------------------------------------------------------------------------------------------------------------------------------------------------------------------------------------------------------------------------------------	----------------------------------------------------------------------------------------------------------------------------------------------------------------------------------------------------------------------------------------------------------------------------------------------------------------------------------------------------------------------------------------------------------------------------------------------------------------------------------


Lot 119 Dragtig van CEF 13-437

<p>CEF 150170 SPN Mat. 94 AFC 35 ICP RI 94 Age/Calv. 3/1 Avg. WI/Calf 92/1</p>	<p>CEF 120367 SPN Mat. 94</p> 	<p>AG 070433 SPN Mat. 93</p> <p>CEF 080218 AFC 29 SPN Mat. 87 ICP 370 Age/Calv. 7/6 Avg. WI/Calf 103/6</p> <p>SPN Mat.</p> <p>CEF 080064 AFC 28 SPN Mat. 96 ICP 364 Age/Calv. 4/3 Avg. WI/Calf 107/2</p>	<p>VV 040146 SPN Mat. 70</p> <p>AG 030204 SPN Mat. 102</p> <p>CEF 060473 SPN Mat. 98</p> <p>CEF 030199 SPN Mat. 69</p> <p>SPN Mat.</p> <p>SPN Mat.</p> <p>CEF 050355 SPN Mat. 81</p> <p>CEF 020187 SPN Mat. 96</p>
---------------------------------------------------------------------------------------------------------------------------------------------------------------------------------------------------------------------	-----------------------------------------------------------------------------------------------------------------------------------------------	----------------------------------------------------------------------------------------------------------------------------------------------------------------------------------------------------------------------------------------------------------------------------------------------------------------------------------------------------------------------------------	--------------------------------------------------------------------------------------------------------------------------------------------------------------------------------------------------------------------------------------------------------------------------------------------------------------------------------------------------------------------------------------------

Lot 120 Dragtig van CEF 13-437

<p>CEF 150183 SPN Mat. 103 AFC 30 ICP RI 108 Age/Calv. 3/1 Avg. WI/Calf 105/1</p>	<p>CEF 130479 SPN Mat. 108</p> 	<p>BP 090012 SPN Mat. 107</p> <p>Elite-Gold</p> <p>CEF 070107 AFC 29 SPN Mat. 101 ICP 365 Age/Calv. 11/10 Avg. WI/Calf 100/9</p> <p>CEF 080426 SPN Mat. 67</p> <p>CEF 090181 AFC 30 SPN Mat. 71 ICP 373 Age/Calv. 5/3 Avg. WI/Calf 91/2</p>	<p>BP 060021 SPN Mat. 90</p> <p>BP 060012 SPN Mat. 129</p> <p>CEF 040431 SPN Mat. 92</p> <p>CEF 030141 SPN Mat. 119</p> <p>CEF 040460 SPN Mat. 103</p> <p>CEF 000050 SPN Mat. 111</p> <p>CEF 040462 SPN Mat. 80</p> <p>CEF 030068 SPN Mat. 85</p>
------------------------------------------------------------------------------------------------------------------------------------------------------------------------------------------------------------------------	------------------------------------------------------------------------------------------------------------------------------------------------	-------------------------------------------------------------------------------------------------------------------------------------------------------------------------------------------------------------------------------------------------------------------------------------------------------------------------------------------------------------------------------------------------------------------------------------------------	-----------------------------------------------------------------------------------------------------------------------------------------------------------------------------------------------------------------------------------------------------------------------------------------------------------------------------------------------------------------------------------------------------------------------------------------------------------------------------------

Lot 121 Dragtig van CEF 13-437

<p>CEF 150205 SPN Mat. 99 AFC 30 ICP RI 108 Age/Calv. 3/1 Avg. WI/Calf 98/1</p>	<p>CEF 120401 SPN Mat. 90</p> 	<p>CEF 080426 SPN Mat. 67</p> <p>CEF 080145 AFC 31 SPN Mat. 129 ICP 365 Age/Calv. 9/7 Avg. WI/Calf 114/6</p> <p>CEF 070473 SPN Mat. 84</p> <p>CEF 020184 AFC 30 SPN Mat. 132 ICP 391 Age/Calv. 10/8 Avg. WI/Calf 110/8</p>	<p>CEF 040460 SPN Mat. 103</p> <p>CEF 000050 SPN Mat. 111</p> <p>CEF 040458 SPN Mat. 91</p> <p>CEF 980129 SPN Mat. 123</p> <p>CEF 040431 SPN Mat. 92</p> <p>CEF 000179 SPN Mat. 117</p> <p>SPN Mat.</p> <p>CEF 000018 SPN Mat. 106</p>
----------------------------------------------------------------------------------------------------------------------------------------------------------------------------------------------------------------------	-------------------------------------------------------------------------------------------------------------------------------------------------	--------------------------------------------------------------------------------------------------------------------------------------------------------------------------------------------------------------------------------------------------------------------------------------------------------------------------------------------------------------------------------------------------------------------------------	--------------------------------------------------------------------------------------------------------------------------------------------------------------------------------------------------------------------------------------------------------------------------------------------------------------------------------------------------------------------------------------------------------------------------------------------


VROULIKE DIERE

Lot	Verkoper	ID	OUERS	Toets	Teelwaarde indekse											Dae Oop	Gebruiker Eie Opmerkings	
					DIREKTE KALF EIENSKAPPE		DOGTER EIENSKAPPE			GROEI		DOEL	REP	MATES				V:
					Nageslag Geboortegewig	Nageslag Speengewig	Gemak van Kalwing	Melk prod.	Volwas-se Gewig	Naspeen-gewig	Daaglikse Toename	Voer-omset		Hoogte & Lengte				
POENA	VADER GV OV	Genomies Getoets	Geb Dir	Speen Dir	Geb Mat	Speen Mat	Volw Gew	Naspeen	GDT	VOV	SO	Hgt	Lgt	LHV				
Gen	MOEDER GV OV	DNS	Akk	Akk	Akk	Akk	Akk	Akk	Akk	Akk	Akk	Akk	Akk	Akk	GGV			
		Geb. dat.	Gew kg	Gew kg	Ind	kg	kg	kg	365d Ind	540d Ind	Ind	Ind	(mm)	(mm)	(mm)	SGV	Kalwers	


Dragtige Koeie

122	P.F. SCHEEPERS	CEF 150212	CEF 100418	NS365	118	101	88	105	110	113	102	97	96	97	105	-	412	Dragtig van CEF 13-437
		SP	CEF 090136		-0.84	13.6	0.34	5.1	21.0	30.7	103	-39	6.0	-1	21	5.89	3.8	
				23.09.15	35		63	67	57	63	53	21	56	56	55		37.8	
123	P.F. SCHEEPERS	CEF 150248	CEF 100304	NS365	112	96	101	98	100	93	93	90	86	85	95	-	421	Dragtig van CEF 13-437
		SP	CEF 070096	DNS	-0.26	11.5	-0.23	3.1	10.0	16.7	61	-24	-2.1	-10	7	6.04	3.7	
				18.10.15	35		66	69	62	66	62	43	65	66	64		42.5	
124	P.F. SCHEEPERS	CEF 150258	CEF 130328	NS365	101	103	101	109	115	108	96	95	105	93	101	-	444	Dragtig van CEF 13-437
		SP	CEF 120101	DNS	0.90	14.6	-0.24	6.1	27.0	26.8	76	-35	13.2	-3	16	6.08	3.7	
				28.10.15	32		56	62	53	54	47	22	52	52	51		40.8	
125	P.F. SCHEEPERS	VV 140040	VV 110343	NS540	106	96	120	114	70	96	92	93	108	80	95	-	217	Dragtig van CEF 13-437
		SP	VV 110430	DNS	0.35	11.2	-1.09	7.7	-23.0	18.7	59	-32	15.4	-14	7	5.86	5.2	
				29.04.14	28		66	72	68	68	45	22	49	50	48		56.8	
126	P.F. SCHEEPERS	VV 140049	VV 110429	NS540	102	98	104	112	92	102	100	102	95	86	95	-	226	Dragtig van CEF 13-437
		SP	VV 120037	DNS	0.85	12.1	-0.37	7.2	1.0	22.9	95	-51	5.3	-9	6	7.05	5.2	
				30.04.14	32		68	74	69	67	51	24	56	57	55		56.9	


Lot 122 Dragtig van CEF 13-437

<p>CEF 150212 SPN Mat. 105 OEK 32 TKP RI 104 Oud/Kalw. 3/1 Gem. SI/Kalf 99/1</p>	<p>CEF 100418 SPN Mat. 100</p>  <p>Elite-Silwer</p> <p>CEF 090136</p>	<p>CEF 080460 SPN Mat. 70</p> <p>CEF 080018 OEK 29 SPN Mat. 100 TKP 368 Oud/Kalw. 5/4 Gem. SI/Kalf 92/4</p> <p>CEF 070367 SPN Mat. 113</p> <p>CEF 050164 OEK 31 SPN Mat. 99 TKP 501 Oud/Kalw. 4/2 Gem. SI/Kalf 112/2</p>	<p>CEF 030447 SPN Mat. 96 CEF 040043 SPN Mat. 76 VV 040046 SPN Mat. 114 CEF 010061 SPN Mat. 104 CEF 030401 SPN Mat. 104 CEF 990161 SPN Mat. 117 CEF 990259 SPN Mat. 85 CEF 970052 SPN Mat. 83</p>
-----------------------------------------------------------------------------------------------------------------	--------------------------------------------------------------------------------------------------------------------------------------------------------------------------	--------------------------------------------------------------------------------------------------------------------------------------------------------------------------------------------------------------------------------------------------------------------------------------	-----------------------------------------------------------------------------------------------------------------------------------------------------------------------------------------------------------------------------------------------------------------------------------------------------------------------


Lot 123 Dragtig van CEF 13-437

<p>CEF 150248 SPN Mat. 98 OEK 30 TKP RI 108 Oud/Kalw. 3/1 Gem. SI/Kalf 106/1</p>	<p>CEF 100304 SPN Mat. 105</p>  <p>CEF 070096</p>	<p>CEF 080025 SPN Mat. 125</p> <p>CEF 070151 OEK 31 SPN Mat. 109 TKP 393 Oud/Kalw. 11/9 Gem. SI/Kalf 104/8</p> <p>CEF 040458 SPN Mat. 91</p> <p>CEF 040188 OEK 30 SPN Mat. 67 TKP 387 Oud/Kalw. 10/8 Gem. SI/Kalf 94/8</p>	<p>AG 020251 SPN Mat. 119 CEF 020146 SPN Mat. 111 CEF 040415 SPN Mat. 93 CEF 030096 SPN Mat. 121 CEF 020321 SPN Mat. 119 CEF 950069 SPN Mat. 83 CEF 990259 SPN Mat. 85 COM 960051 SPN Mat. 86</p>
-----------------------------------------------------------------------------------------------------------------	--------------------------------------------------------------------------------------------------------------------------------------------------------	----------------------------------------------------------------------------------------------------------------------------------------------------------------------------------------------------------------------------------------------------------------------------------------	-----------------------------------------------------------------------------------------------------------------------------------------------------------------------------------------------------------------------------------------------------------------------------------------------------------------------


Lot 124 Dragtig van CEF 13-437

<p>CEF 150258 SPN Mat. 109 OEK 29 TKP RI 111 Oud/Kalw. 2/1 Gem. SI/Kalf 102/1</p>	<p>CEF 130328 SPN Mat. 105</p>  <p>CEF 120101</p>	<p>ADV 090064 SPN Mat. 70</p> <p>CEF 030109 OEK 32 SPN Mat. 131 TKP 423 Oud/Kalw. 12/9 Gem. SI/Kalf 117/8</p> <p>NPT 070170 SPN Mat. 80</p> <p>Elite-Silwer CEF 040166 OEK 30 SPN Mat. 113 TKP 385 Oud/Kalw. 11/9 Gem. SI/Kalf 106/8</p>	<p>ADV 050053 SPN Mat. 90 ADV 050171 SPN Mat. 72 RCO 970028 SPN Mat. 103 CEF 000078 SPN Mat. 74 NPT 040187 SPN Mat. 117 NPT 050053 SPN Mat. 103 CEF 020328 SPN Mat. 90 CEF 960048 SPN Mat. 112</p>
------------------------------------------------------------------------------------------------------------------	------------------------------------------------------------------------------------------------------------------------------------------------------	----------------------------------------------------------------------------------------------------------------------------------------------------------------------------------------------------------------------------------------------------------------------------------------------------------	------------------------------------------------------------------------------------------------------------------------------------------------------------------------------------------------------------------------------------------------------------------------------------------------------------------------

Lot 125 Dragtig van CEF 13-437

<p>VV 140040 SPN Mat. 114 OEK 29 TKP 388 RI 111 Oud/Kalw. 5/3 Gem. SI/Kalf 111/3</p>	<p>VV 110343 SPN Mat. 100</p>  <p>VV 110430</p>	<p>VV 090094 SPN Mat. 105</p> <p>VV 090053 OEK 30 SPN Mat. 108 TKP Oud/Kalw. 3/1 Gem. SI/Kalf 112/1</p> <p>VV 080162 SPN Mat. 82</p> <p>Elite-Goud VV 040415 OEK 29 SPN Mat. 115 TKP 384 Oud/Kalw. 14/12 Gem. SI/Kalf 102/11</p>	<p>VV 060054 SPN Mat. 107 VV 030210 SPN Mat. 129 VV 070018 SPN Mat. 104 LB 060236 SPN Mat. 106 VV 040323 SPN Mat. 130 VV 000053 SPN Mat. 80 VV 010180 SPN Mat. 81 VV 010007 SPN Mat. 109</p>
---------------------------------------------------------------------------------------------------------------------	------------------------------------------------------------------------------------------------------------------------------------------------------	--------------------------------------------------------------------------------------------------------------------------------------------------------------------------------------------------------------------------------------------------------------------------------------------------	------------------------------------------------------------------------------------------------------------------------------------------------------------------------------------------------------------------------------------------------------------------------------------------------------------------

Lot 126 Dragtig van CEF 13-437

<p>VV 140049 SPN Mat. 112 OEK 30 TKP 371 RI 112 Oud/Kalw. 5/3 Gem. SI/Kalf 107/3</p>	<p>VV 110429 SPN Mat. 74</p>  <p>VV 120037</p>	<p>VV 090008 SPN Mat. 110</p> <p>VV 070423 OEK 35 SPN Mat. 72 TKP 367 Oud/Kalw. 11/9 Gem. SI/Kalf 94/8</p> <p>AG 080204 SPN Mat. 117</p> <p>Elite-Goud VV 030414 OEK 34 SPN Mat. 111 TKP 406 Oud/Kalw. 10/7 Gem. SI/Kalf 104/7</p>	<p>VV 070011 SPN Mat. 109 VV 060405 SPN Mat. 107 VV 030423 SPN Mat. 72 VV 050172 SPN Mat. 104 AG 020251 SPN Mat. 119 AG 010239 SPN Mat. 90 VV 990318 SPN Mat. 107 VV 960281 SPN Mat. 108</p>
---------------------------------------------------------------------------------------------------------------------	-----------------------------------------------------------------------------------------------------------------------------------------------------	----------------------------------------------------------------------------------------------------------------------------------------------------------------------------------------------------------------------------------------------------------------------------------------------------	------------------------------------------------------------------------------------------------------------------------------------------------------------------------------------------------------------------------------------------------------------------------------------------------------------------