

**EXPLANATION OF ABBREVIATIONS IN CATALOGUE**

**VERDUIDELIKING VAN AFKORTINGS IN KATALOGUS**

	DIRECT CALF TRAITS	DIREKTE KALF EIENSKAPPE	Kalf eienskappe
Calf traits	DIRECT CALF TRAITS	DIREKTE KALF EIENSKAPPE	Kalf eienskappe
Daughter traits	DAUGHTER TRAITS	DOGTER EIENSKAPPE	Dogter eienskappe
Growth traits	GROWTH	GROEI	Groei eienskappe
Efficiency traits	EFF	DOEL	Doeltreffendheids eienskappe
Reproduction traits	REPRODUCTION	REPRODUKSIE	Reproduksie eienskappe
Body measurements	MEASURE	MATES	Liggaamsmates
Lot number	Lot	Lot	Lotnommer
Ratio	R:	V:	Verhouding
Identification number	ID	ID	Identifikasienommer
Generation/Section of Herdbook	Gen	Gen	Generasie/Afdeling van kuddeboek
Weight in kilogram	Wgt kg	Gew kg	Gewig in kilogram
Index	Ind	Ind	Indeks
Accuracy of breeding value	Acc	Akk	Akkuraatheid van teelwaarde
Birth direct (kg)	Birth Dir	Geb Dir	Geboorte direk (kg)
Birth maternal (kg)	Birth Mat	Geb Mat	Geboorte maternaal (kg)
Wean direct (kg)	Wean Dir	Speen Dir	Speen direk (kg)
Wean maternal (kg)	Wean Mat	Speen Mat	Speen maternaal (kg)
Mature weight (kg)	Mature Wgt	Volw Gew	Volwasse gewig (kg)
365 Days (kg)	365d	365d	365 Dae (kg)
540 Days (kg)	540d	540d	540 Dae (kg)
Average daily gain (g/day)	ADG	GDT	Gemiddelde daaglikse toename (g/dag)
Feed conversion ratio	FCR	VOV	Voeromsetverhouding
Scrotal circumference (mm)	SC	SO	Skrotum omvang (mm)
Age First Calving	AFC	OEK	Ouderdom Eerste Kalwing
Inter Calving Period	ICP	TKP	Tussen Kalf Periode
Height (mm)	Hgt	Hgt	Hoogte (mm)
Length (mm)	Lgt	Lgt	Lengte (mm)
Length : Height ratio	LHR	HLV	Lengte : Hoogte verhouding
Birth weight : Cow weight ratio	BWR	GGV	Geboortegewig : Koeigewig verhouding
Wean weight : Cow weight ratio	WWR	SGV	Speengewig : Koeigewig verhouding
Age in years and months / Number of calvings	Age / Calv	Oud / Kalw	Ouderdom in jare en maande / Aantal kalwings
Average Wean index / Number of calves	Ave WI / Calf	Gem SI / Kalf	Gemiddelde Speenindeks / Aantal kalwers
Reproduction index	R.I.	R.I.	Reproduksie Indeks
Polled	Polled	Poena	Poena
Post Wean 365 days & Post Wean 540 days	PW365 & PW540	NS365 & NS540	Naspeen 365 dae & Naspeen 540 dae
Growth test & Growth test group	GT & GTg	GT & GTg	Groei Toets & Groeitoets groep
Central test	CT	ST	Sentrale toets
Ouerskap Verifikasie	OV	PV	Parentage Verification
Genomies Getoets	GT	GT	Genomically Tested
Homosigoties Poena (Celtic Toets)	PP(c)	PP(c)	Homozygous Polled (Celtic Test)
Heterosigoties Poena (Celtic Toets)	Pp(c)	Pp(c)	Heterozygous Polled (Celtic Test)
Beide Ouers Geverifieer	PV	PV	Both Parents Verified
Sire Geverifieer	SV	SV	Sire Verified
Dam Geverifieer	DV	DV	Dam Verified

Lot	Seller	ID POLLED Gen	PARENTS		Test Genomic Tested DNA Birth Date	Breeding Value Indexes										LHR BWR WWR	Semen Users	Breeder Own Remarks			
			SIRE GV PV	DAM GV PV		DIRECT CALF TRAITS		DAUGHTER TRAITS			GROWTH		EFF.	REP	MEASUREMENTS				R:		
						Progeny Birth Weight	Progeny Wean Weight	Ease of Calving	Milk prod.	Mature Weight	Post Wean Weight	Daily Gain	Feed Conv						Height & Length		
					Birth Dir	Wean Dir	Birth Mat	Wean Mat	Mat Wgt	Post Wean	ADG	FCR	SC	Hgt	Lgt						
					Acc	Acc	Acc	Acc	Acc	Acc	Acc	Acc	Acc	Acc	Acc	Acc	Acc	Acc			
					Wgt kg	Wgt kg Ind	kg	kg	kg	365d Ind	540d Ind	Ind	Ind	(mm)	(mm)	(mm)					


## BULLS

1	SCHULTZ BONSMARAS	PIK 170016 SP	PAD 110053 <input checked="" type="checkbox"/>	PW540	<b>99</b>	<b>97</b>	<b>112</b>	<b>82</b>	<b>93</b>	<b>98</b>	<b>91</b>	<b>95</b>	<b>94</b>	<b>90</b>	<b>95</b>	-	
			GJN 070042	DNA	1.18 78	12.1 59	-0.78 52	-1.5 54	2.0 46	20.0 49	51 40	-36 32	5.0 42	-6 42	6 42	-	
				05.06.17	36	295	<b>102</b>				101	105	-	-	-	-	-
2	SCHULTZ BONSMARAS	PIK 170006 P SP	BBP 120337	PW540	<b>114</b>	<b>97</b>	<b>103</b>	<b>101</b>	<b>92</b>	<b>93</b>	<b>95</b>	<b>91</b>	<b>100</b>	<b>91</b>	<b>98</b>	-	
			HOT 140043	DNA	-0.35 76	12.1 56	-0.38 44	3.8 44	1.0 35	16.9 48	69 45	-27 40	9.4 49	-6 49	11 48	-	
				17.03.17	30	269	<b>102</b>				105	104	-	-	-	-	-
3	SCHULTZ BONSMARAS	PIK 170007 P SP	BBP 120337	PW540	<b>109</b>	<b>93</b>	<b>107</b>	<b>91</b>	<b>97</b>	<b>92</b>	<b>91</b>	<b>89</b>	<b>88</b>	<b>86</b>	<b>95</b>	-	
			CRV 140026	DNA	0.14 76	10.3 56	-0.55 44	1.1 44	6.0 37	16.3 48	55 46	-24 40	0.0 49	-9 50	6 48	-	
				18.07.17	31	257	<b>102</b>				105	104	-	-	-	-	-
4	SCHULTZ BONSMARAS	PIK 170015 SC SP	BBP 120337 <input checked="" type="checkbox"/>	PW540	<b>116</b>	<b>90</b>	<b>96</b>	<b>109</b>	<b>90</b>	<b>93</b>	<b>95</b>	<b>91</b>	<b>97</b>	<b>77</b>	<b>93</b>	-	
			LAR 100347	DNA	-0.62 77	9.1 58	-0.05 49	6.1 50	-2.0 37	16.6 50	69 48	-29 33	7.0 52	-16 52	4 51	-	
				05.06.17	35	319	<b>100</b>				100	100	-	-	-	-	-
5	SCHULTZ BONSMARAS	PIK 170026 SP	PAD 110053	PW540	<b>87</b>	<b>103</b>	<b>111</b>	<b>87</b>	<b>104</b>	<b>107</b>	<b>104</b>	<b>104</b>	<b>94</b>	<b>94</b>	<b>97</b>	-	
			GJN 090236	DNA	2.44 77	15.0 57	-0.72 49	0.0 51	14.0 42	26.3 48	112 41	-55 30	4.3 43	-3 44	9 43	-	
				11.06.17	36	298	<b>104</b>				103	102	-	-	-	-	-
6	SCHULTZ BONSMARAS	PIK 170050 SP	CRV 100095 <input checked="" type="checkbox"/>	PW540	<b>85</b>	<b>107</b>	<b>131</b>	<b>101</b>	<b>118</b>	<b>109</b>	<b>119</b>	<b>103</b>	<b>105</b>	<b>113</b>	<b>115</b>	-	
			JPL 050098	DNA	2.71 79	16.5 64	-1.62 58	3.8 59	30.0 48	27.4 58	178 54	-53 46	12.9 56	12 57	34 56	-	
			P	22.07.17	32	251	<b>99</b>				101	101	-	-	-	-	-

**Lot 1**

**PIK 170016**  
SPN Mat. 82

**PAD 110053**  
SPN Mat. 97



**GJN 070042**

AFC 22 SPN Mat. 66  
 ICP 403 Age/Calv. 11/9  
 RI 113 Avg. WI/Calf 97/9

**CSW 010014**  
SPN Mat. 99

**PAD 070016**  
AFC 27 SPN Mat. 90  
 ICP 346 Age/Calv. 9/8  
 Avg. WI/Calf 100/8

**GJN 020101**  
SPN Mat. 46  
 Gold


**GJN 030112**  
AFC 23 SPN Mat. 88  
 ICP 363 Age/Calv. 13/12  
 Avg. WI/Calf 94/12

**BG 960125**  
SPN Mat. 102  
**CSW 980048**  
SPN Mat. 115  
**AG 020220**  
SPN Mat. 79  
**AG 920120**  
SPN Mat. 92  
**RCO 980082**  
SPN Mat. 64  
**GJN 990026**  
SPN Mat. 101  
**GJN 000061**  
SPN Mat. 76  
**GJN 990040**  
SPN Mat. 120

**Lot 2** Poena. Reeds 2 Mede-eienaars.

**PIK 170006 P**  
SPN Mat. 101

**BBP 120337 Pp(c)**  
SPN Mat. 98



**HOT 140043**

AFC 33 SPN Mat. 104  
 ICP 327 Age/Calv. 5/3  
 RI 111 Avg. WI/Calf 101/2

**CSW 050024**  
SPN Mat. 114

**LSV 070015**  
AFC 35 SPN Mat. 101  
 ICP 407 Age/Calv. 9/6  
 Avg. WI/Calf 99/5

**HOT 080215**  
SPN Mat. 109  
 Silver  
 Elite-Gold


**HOT 060095**  
AFC 28 SPN Mat. 100  
 ICP 388 Age/Calv. 12/10  
 Avg. WI/Calf 104/9

**BG 020058**  
SPN Mat. 119  
**CSW 030019**  
SPN Mat. 132  
**CEF 990259**  
SPN Mat. 86  
**LSV 020029**  
SPN Mat. 104  
**BHE 050075**  
SPN Mat. 80  
**DB 950002**  
SPN Mat. 149  
**DB 010020**  
SPN Mat. 95  
**DB 010021**  
SPN Mat. 110

**Lot 3** Poena. Reeds 2 Mede-eienaars.

**PIK 170007 P**  
SPN Mat. 91

**BBP 120337 Pp(c)**  
SPN Mat. 98



**CRV 140026**

AFC 28 SPN Mat. 84  
 ICP 347 Age/Calv. 4/3  
 RI 117 Avg. WI/Calf 101/3

**CSW 050024**  
SPN Mat. 114

**LSV 070015**  
AFC 35 SPN Mat. 101  
 ICP 407 Age/Calv. 9/6  
 Avg. WI/Calf 99/5

**NFS 080168**  
SPN Mat. 92  
 Bronze


**BHE 030117**  
AFC 30 SPN Mat. 78  
 ICP 422 Age/Calv. 15/12  
 Avg. WI/Calf 98/11

**BG 020058**  
SPN Mat. 119  
**CSW 030019**  
SPN Mat. 132  
**CEF 990259**  
SPN Mat. 86  
**LSV 020029**  
SPN Mat. 104  
**RGR 030116**  
SPN Mat. 87  
**T 030095**  
SPN Mat. 119  
**RCO 980037**  
SPN Mat. 66  
**BHE 950093**  
SPN Mat. 109

**Lot 4** Poena. Reeds 2 Mede-eienaars.

**PIK 170015**  
SPN Mat. 109

**BBP 120337 Pp(c)**  
SPN Mat. 98



**LAR 100347**

AFC 35 SPN Mat. 120  
 ICP 439 Age/Calv. 8/5  
 RI 98 Avg. WI/Calf 102/5

**CSW 050024**  
SPN Mat. 114

**LSV 070015**  
AFC 35 SPN Mat. 101  
 ICP 407 Age/Calv. 9/6  
 Avg. WI/Calf 99/5

**LAR 070234**  
SPN Mat. 135


**LAR 990281**  
AFC 34 SPN Mat. 103  
 ICP 376 Age/Calv. 11/9  
 Avg. WI/Calf 100/9

**BG 020058**  
SPN Mat. 119  
**CSW 030019**  
SPN Mat. 132  
**CEF 990259**  
SPN Mat. 86  
**LSV 020029**  
SPN Mat. 104  
**LAR 030059**  
SPN Mat. 149  
**LAR 020180**  
SPN Mat. 146  
**LTS 930057**  
SPN Mat. 108  
**LAR 910113**  
SPN Mat. 107

**Lot 5**

**PIK 170026**  
SPN Mat. 87

**PAD 110053**  
SPN Mat. 97



**GJN 090236**

AFC 22 SPN Mat. 77  
 ICP 412 Age/Calv. 9/7  
 RI 113 Avg. WI/Calf 100/7

**CSW 010014**  
SPN Mat. 99

**PAD 070016**  
AFC 27 SPN Mat. 90  
 ICP 346 Age/Calv. 9/8  
 Avg. WI/Calf 100/8

**GJN 070002**  
SPN Mat. 65  
 Silver


**GJN 050341**  
AFC 35 SPN Mat. 87  
 ICP 366 Age/Calv. 11/9  
 Avg. WI/Calf 98/9

**BG 960125**  
SPN Mat. 102  
**CSW 980048**  
SPN Mat. 115  
**AG 020220**  
SPN Mat. 79  
**AG 920120**  
SPN Mat. 92  
**HJB 040251**  
SPN Mat. 102  
**GJN 000035**  
SPN Mat. 83  
**GJN 000061**  
SPN Mat. 76  
**EI 000060 P**  
SPN Mat. 101

**Lot 6**

**PIK 170050**  
SPN Mat. 101

**CRV 100095**  
SPN Mat. 93  
 Gold



**JPL 050098 P**

AFC 25 SPN Mat. 111  
 ICP 443 Age/Calv. 12/9  
 RI 104 Avg. WI/Calf 103/9

**DBT 030036**  
SPN Mat. 92

**HJB 040150**  
AFC 29 SPN Mat. 91  
 ICP 369 Age/Calv. 7/6  
 Avg. WI/Calf 96/6

**EI 020255 P**  
SPN Mat. 92

**JPL 980044**  
AFC 31 SPN Mat. 133  
 ICP 381 Age/Calv. 15/13  
 Avg. WI/Calf 106/13

**HOT 980240**  
SPN Mat. 105  
**ROC 000048**  
SPN Mat. 107  
**LA 970191**  
SPN Mat. 103  
**HJB 000292**  
SPN Mat. 82  
**EI 980080**  
SPN Mat. 89  
**EI 960143**  
SPN Mat. 102  
**PTF 910031**  
SPN Mat. 141  
**JPL H 0028 P**  
SPN Mat. 101

Lot	Verkoper	ID POENA Gen	OUERS VADER GV OV MOEDER GV OV	Toets Genomies Getoets DNS Geb. dat.	DIREKTE KALF EIENSKAPPE					DOGTER EIENSKAPPE			GROEI		DOEL	REP	MATES	V:	Semen Gebruikers	Gebruiker Eie Opmerkings
					Nageslag Geboorte- gewig	Nageslag Speengewig	Gemak van Kalwing	Melk prod.	Volwas- se Gewig	Naspeen- gewig	Daaglikse Toename	Voer- omset	Hoogte & Lengte							
Teelwaarde indekse																				
				Geb Dir	Speen Dir		Geb Mat	Speen Mat	Volw Gew	Naspeen	GDT	VOV	SO	Hgt	Lgt	LHV	GGV	SGV		
				Akk	Akk		Akk	Akk	Akk	Akk	Akk	Akk	Akk	Akk	Akk	Akk	Akk	Akk	Akk	
				Gew kg	Gew kg	Ind	kg	kg	kg	365d Ind	540d Ind	Ind	Ind	(mm)	(mm)	(mm)				


## BULLE

7	SCHULTZ BONSMARAS	PIK 170045	PAD 110053 <input checked="" type="checkbox"/>	NS540	<b>98</b>	<b>100</b>	<b>111</b>	<b>99</b>	<b>91</b>	<b>97</b>	<b>99</b>	<b>100</b>	<b>99</b>	<b>92</b>	<b>100</b>	-			
			LAR 110098	DNS	1.33 77	13.4 71	-0.71 49	3.3 51	0.0 38	19.8 52	91 41	-47 30	8.5 42	-5 42	13 42	-			
				10.07.17	34	191	<b>98</b>			100	100	-	-	-	-	-	-		
8	SCHULTZ BONSMARAS	PIK 170093	LAR 130409 <input checked="" type="checkbox"/>	NS540	<b>125</b>	<b>71</b>	<b>104</b>	<b>101</b>	<b>85</b>	<b>72</b>	<b>86</b>	<b>97</b>	<b>95</b>	<b>92</b>	<b>91</b>	-			
			BBP 120275	DNS	-1.58 72	0.8 35	-0.39 34	3.9 31	-6.0 15	2.4 28	32 23	-40 9	5.2 24	-4 25	1 24	-			
				30.10.17	24	244	<b>108</b>			109	100	-	-	-	-	-	-		
9	SCHULTZ BONSMARAS	PIK 170132	CRV 100095 <input checked="" type="checkbox"/>	NS540	<b>110</b>	<b>80</b>	<b>108</b>	<b>114</b>	<b>100</b>	<b>80</b>	<b>87</b>	<b>95</b>	<b>98</b>	<b>95</b>	<b>92</b>	-			
			DZT 050085 <input checked="" type="checkbox"/>	DNS	0.08 73	4.5 67	-0.58 42	7.3 45	10.0 36	7.9 36	35 31	-37 23	7.9 34	-2 34	3 33	-			
				23.12.17	33	218	<b>97</b>			100	100	-	-	-	-	-	-		
10	SCHULTZ BONSMARAS	CRV 170357	CRV 130440	NS540	<b>59</b>	<b>116</b>	<b>111</b>	<b>105</b>	<b>103</b>	<b>117</b>	<b>109</b>	<b>104</b>	<b>103</b>	<b>100</b>	<b>111</b>	-			
			CRV 110282		5.43 76	20.3 60	-0.73 45	4.8 49	13.0 39	33.0 48	134 50	-56 41	12.0 53	2 54	28 53	-			
				01.12.17	45	300	<b>100</b>			100	100	-	-	-	-	-	-		
11	SCHULTZ BONSMARAS	PIK 170064	CRV 100095 <input checked="" type="checkbox"/>	NS540	<b>80</b>	<b>108</b>	<b>108</b>	<b>104</b>	<b>116</b>	<b>108</b>	<b>104</b>	<b>97</b>	<b>103</b>	<b>99</b>	<b>102</b>	-			
			BBP 120150 <input checked="" type="checkbox"/>	DNS	3.20 78	17.0 61	-0.60 53	4.6 52	27.0 44	26.9 57	113 52	-41 41	11.4 54	1 55	16 54	-			
				11.10.17	36	237	<b>99</b>			102	100	-	-	-	-	-	-		
12	SCHULTZ BONSMARAS	PIK 170047	NFS 080168 <input checked="" type="checkbox"/>	NS540	<b>93</b>	<b>111</b>	<b>104</b>	<b>95</b>	<b>110</b>	<b>115</b>	<b>111</b>	<b>110</b>	<b>105</b>	<b>101</b>	<b>107</b>	-			
			PHR 080072 <input checked="" type="checkbox"/>	DNS	1.82 78	18.1 62	-0.42 56	2.1 59	20.0 51	31.9 56	144 54	-69 49	12.9 56	3 57	22 56	-			
				17.07.17	34	240	<b>93</b>			98	96	-	-	-	-	-	-		

**Lot 7**

**PIK 170045**  
SPN Mat. 99

**PAD 110053**  
SPN Mat. 97



**LAR 110098**

OEK 37 SPN Mat. 100  
TKP 543 Oud/Kalw. 8/4  
RI 81 Gem. SI/Kalf 98/3

**CSW 010014**  
SPN Mat. 99

**PAD 070016**

OEK 27 SPN Mat. 90  
TKP 346 Oud/Kalw. 9/8  
Gem. SI/Kalf 100/8

**LAR 070037**  
SPN Mat. 106

**LAR 080062**


OEK 37 SPN Mat. 115  
TKP 377 Oud/Kalw. 10/8  
Gem. SI/Kalf 103/7

**BG 960125**  
SPN Mat. 102  
**CSW 980048**  
SPN Mat. 115  
**AG 020220**  
SPN Mat. 79  
**AG 920120**  
SPN Mat. 92  
**BG 040088**  
SPN Mat. 114  
**LAR 040240**  
SPN Mat. 104  
**GCD 050148**  
SPN Mat. 110  
**LAR 050410**  
SPN Mat. 107

**Lot 8**

**PIK 170093**  
SPN Mat. 101

**LAR 130409**  
SPN Mat. 83



**BBP 120275**

OEK 35 SPN Mat. 103  
TKP 377 Oud/Kalw. 5/3  
RI 102 Gem. SI/Kalf 105/2

**LAR 090349**  
SPN Mat. 74

**LAR 060191**

OEK 36 SPN Mat. 89  
TKP 376 Oud/Kalw. 8/6  
Gem. SI/Kalf 99/6

**LAR 080244**  
SPN Mat. 126

**BBP 080529**


OEK \* SPN Mat. 80  
TKP 514 Oud/Kalw. \*7/5  
Gem. SI/Kalf 96/4

**LAR 040287**  
SPN Mat. 136  
**LAR 050189**  
SPN Mat. 81  
**LAR 020331**  
SPN Mat. 107  
**LAR 010406**  
SPN Mat. 65  
**LAR 030059**  
SPN Mat. 149  
**LAR 000174**  
SPN Mat. 108

**Lot 9**

**PIK 170132**  
SPN Mat. 114

**CRV 100095**  
SPN Mat. 93  
Goud



**DZT 050085**

OEK 23 SPN Mat. 119  
TKP 373 Oud/Kalw. 12/11  
RI 117 Gem. SI/Kalf 108/11

**DBT 030036**  
SPN Mat. 92

Elite-Silwer

**HJB 040150**

OEK 29 SPN Mat. 91  
TKP 369 Oud/Kalw. 7/6  
Gem. SI/Kalf 96/6

**KAN 020006**  
SPN Mat. 121

**DZT 010010**


OEK 29 SPN Mat. 104  
TKP 391 Oud/Kalw. 10/8  
Gem. SI/Kalf 102/8

**HOT 980240**  
SPN Mat. 105  
**ROC 000048**  
SPN Mat. 107  
**LA 970191**  
SPN Mat. 103  
**HJB 000292**  
SPN Mat. 82  
**NFS 980307**  
SPN Mat. 116  
**KAN 960046**  
SPN Mat. 127  
**CEG 970114**  
SPN Mat. 100  
**CEG 940070**  
SPN Mat. 108

**Lot 10**

**CRV 170357**  
SPN Mat. 105

**CRV 130440**  
SPN Mat. 117  
Goud



**CRV 110282**

OEK 36 SPN Mat. 91  
TKP 364 Oud/Kalw. 7/5  
RI 107 Gem. SI/Kalf 94/4

**V 090237**  
SPN Mat. 111

**FCT 110270**

OEK 24 SPN Mat. 116  
TKP 365 Oud/Kalw. 7/6  
Gem. SI/Kalf 111/5

**AJF 080040**  
SPN Mat. 74

**CRV 090703**


OEK 30 SPN Mat. 104  
TKP 366 Oud/Kalw. 7/5  
Gem. SI/Kalf 90/4

**VV 070122**  
SPN Mat. 131  
**V 040066**  
SPN Mat. 91  
**WAT 080237**  
SPN Mat. 111  
**FCT 070179**  
SPN Mat. 106  
**AG 040061**  
SPN Mat. 74  
**AJF 020126**  
SPN Mat. 96  
**AEK 040051**  
SPN Mat. 99

**Lot 11**

**PIK 170064**  
SPN Mat. 104

**CRV 100095**  
SPN Mat. 93  
Goud



**BBP 120150**

OEK 36 SPN Mat. 114  
TKP 436 Oud/Kalw. 5/3  
RI 96 Gem. SI/Kalf 99/3

**DBT 030036**  
SPN Mat. 92

Elite-Silwer

**HJB 040150**

OEK 29 SPN Mat. 91  
TKP 369 Oud/Kalw. 7/6  
Gem. SI/Kalf 96/6

**RRF 070028**  
SPN Mat. 115

**MB 090119**


OEK 31 SPN Mat. 114  
TKP 406 Oud/Kalw. 9/7  
Gem. SI/Kalf 101/6

**HOT 980240**  
SPN Mat. 105  
**ROC 000048**  
SPN Mat. 107  
**LA 970191**  
SPN Mat. 103  
**HJB 000292**  
SPN Mat. 82  
**RRF 040065**  
SPN Mat. 85  
**RRF 990066**  
SPN Mat. 124  
**MB 060016**  
SPN Mat. 89  
**MB 070036**  
SPN Mat. 128

**Lot 12**

**PIK 170047**  
SPN Mat. 95

**NFS 080168**  
SPN Mat. 92  
Brons



**PHR 080072**

OEK 28 SPN Mat. 98  
TKP 424 Oud/Kalw. 9/7  
RI 106 Gem. SI/Kalf 100/6

**RGR 030116**  
SPN Mat. 87

**T 030095**

OEK 27 SPN Mat. 119  
TKP 395 Oud/Kalw. 6/4  
Gem. SI/Kalf 100/4

**PHR 030036**  
SPN Mat. 115

**PHR 050298**

OEK 30 SPN Mat. 66  
TKP 384 Oud/Kalw. 4/2  
Gem. SI/Kalf 96/2

**RGR 970055**  
SPN Mat. 122  
**RGR 960015**  
SPN Mat. 77  
**DFF 000173**  
SPN Mat. 123  
**T 950050**  
SPN Mat. 110  
**RCO 980037**  
SPN Mat. 66  
**PHR L 0144**  
SPN Mat. 143  
**PHR 990011**  
SPN Mat. 34  
**PHR 000054**  
SPN Mat. 100

Lot	Seller	ID POLLED Gen	PARENTS		Test	Breeding Value Indexes											LHR BWR WWR	Semen Users	Breeder Own Remarks
			SIRE GV PV	DAM GV PV		Genomic Tested DNA	Birth Dir Acc	Wean Dir Acc	Birth Mat Acc	Wean Mat Acc	Mat Wgt Acc	Post Wean Acc	ADG Acc	FCR Acc	SC Acc	Hgt Acc			
					Birth Date	Wgt kg	Wgt kg	Ind	kg	kg	kg	365d Ind	540d Ind	Ind	Ind	(mm)	(mm)	(mm)	


## BULLS

14	SCHULTZ BONSMARAS	PIK 170110 SP	WAT 140120 <input checked="" type="checkbox"/> DBP 150172 <input checked="" type="checkbox"/>	PW540	<b>105</b>	<b>84</b>	<b>102</b>	<b>109</b>	<b>82</b>	<b>86</b>	<b>88</b>	<b>92</b>	<b>100</b>	<b>95</b>	<b>96</b>	-		
				DNA	0.58 72	6.5 66	-0.30 30	5.9 34	-10.0 21	12.5 30	40 24	-29 15	9.0 25	-2 25	8 25	-		
				28.11.17	32	232	<b>104</b>				102	96	-	-	-	-	-	
15	SCHULTZ BONSMARAS	PIK 170042 SP	PAD 110053 <input checked="" type="checkbox"/> VV 110173	PW540	<b>93</b>	<b>107</b>	<b>111</b>	<b>94</b>	<b>90</b>	<b>102</b>	<b>99</b>	<b>100</b>	<b>102</b>	<b>100</b>	<b>106</b>	-		
				DNA	1.89 77	16.5 57	-0.72 49	2.0 51	-1.0 41	22.7 50	90 36	-47 24	11.1 38	2 38	21 38	-		
				30.06.17	34	311	<b>109</b>				105	95	-	-	-	-	-	
16	SCHULTZ BONSMARAS	PIK 170025 SP	PAD 110053 <input checked="" type="checkbox"/> LAR 080068	PW540	<b>98</b>	<b>100</b>	<b>103</b>	<b>92</b>	<b>92</b>	<b>100</b>	<b>98</b>	<b>100</b>	<b>97</b>	<b>85</b>	<b>95</b>	-		
				DNA	1.33 78	13.2 58	-0.35 51	1.5 52	1.0 39	21.5 52	84 42	-47 26	6.9 43	-10 43	7 43	-		
				10.06.17	34	291	<b>102</b>				104	102	-	-	-	-	-	
17	SCHULTZ BONSMARAS	PIK 170090 SP	FCT 110049 <input checked="" type="checkbox"/> OLI 120410	PW540	<b>102</b>	<b>87</b>	<b>101</b>	<b>104</b>	<b>93</b>	<b>87</b>	<b>93</b>	<b>97</b>	<b>99</b>	<b>102</b>	<b>100</b>	-		
				DNA	0.94 72	7.7 65	-0.29 37	4.6 39	2.0 24	13.2 34	63 27	-40 9	8.9 28	3 29	14 28	-		
				24.10.17	30	182	<b>93</b>				98	103	-	-	-	-	-	
18	SCHULTZ BONSMARAS	PIK 170036 SP	NFS 080168 <input checked="" type="checkbox"/> BBP 100312	PW540	<b>89</b>	<b>105</b>	<b>108</b>	<b>89</b>	<b>119</b>	<b>105</b>	<b>94</b>	<b>101</b>	<b>91</b>	<b>97</b>	<b>101</b>	-		
				DNA	2.30 78	15.6 60	-0.57 54	0.6 55	31.0 41	24.7 52	68 50	-49 45	2.5 53	0 54	15 53	-		
				20.06.17	34	294	<b>103</b>				100	101	-	-	-	-	-	
19	XHARIEP BONSMARA STOET	WB 160018 B	FCT 110049 <input checked="" type="checkbox"/> WB 120003	PW540	<b>92</b>	<b>93</b>	<b>117</b>	<b>74</b>	<b>98</b>	<b>86</b>	<b>93</b>	<b>90</b>	<b>99</b>	<b>112</b>	<b>105</b>	-		
				DNA	1.98 76	10.4 71	-1.00 51	-3.5 55	7.0 43	11.8 64	64 45	-26 17	8.6 48	12 49	20 48	9.9		
				16.09.16	38	264	<b>109</b>				101	96	-	-	-	-	57.4	

**Lot 14**

**PIK 170110**  
SPN Mat. 109

**WAT 140120**  
SPN Mat. 69



**DBP 150172**  
AFC 30 SPN Mat. 114  
ICP 326 Age/Calv. 3/2  
RI 113 Avg. WI/Calf 104/1

**WAT 120072**  
SPN Mat. 56

**WAT 120081**  
AFC 25 SPN Mat. 85  
ICP 427 Age/Calv. 6/4  
Avg. WI/Calf 101/3

**AG 040156**  
SPN Mat. 117

**BBP 120309**  
AFC 30 SPN Mat. 110  
ICP 464 Age/Calv. 5/3  
Avg. WI/Calf 100/3

**WAT 100055**  
SPN Mat. 68

**WAT 100185**  
SPN Mat. 68

**BG 090156**  
SPN Mat. 113

**WAT 060183**  
SPN Mat. 57

**AG 980338**  
SPN Mat. 87

**AG 990115**  
SPN Mat. 118


**DBP 070101**  
SPN Mat. 113

**MOL 030016**  
SPN Mat. 97

**Lot 15**

**PIK 170042**  
SPN Mat. 94

**PAD 110053**  
SPN Mat. 97



**VV 110173**  
AFC 23 SPN Mat. 92  
ICP 377 Age/Calv. 6/5  
RI 119 Avg. WI/Calf 102/5

**CSW 010014**  
SPN Mat. 99

**PAD 070016**  
AFC 27 SPN Mat. 90  
ICP 346 Age/Calv. 9/8  
Avg. WI/Calf 100/8

**VV 080306**  
SPN Mat. 76

**VV 040027**  
AFC 30 SPN Mat. 116  
ICP 404 Age/Calv. 12/10  
Avg. WI/Calf 102/10

**BG 960125**  
SPN Mat. 102

**CSW 980048**  
SPN Mat. 115

**AG 020220**  
SPN Mat. 79

**AG 920120**  
SPN Mat. 92

**VV 060045**  
SPN Mat. 87

**VV 020325**  
SPN Mat. 82

**VV 010331**  
SPN Mat. 101


**VV 010268**  
SPN Mat. 115

Elite-Gold

**Lot 16**

**PIK 170025**  
SPN Mat. 92

**PAD 110053**  
SPN Mat. 97



**LAR 080068**  
AFC 37 SPN Mat. 89  
ICP 421 Age/Calv. 9/6  
RI 98 Avg. WI/Calf 97/5

**CSW 010014**  
SPN Mat. 99

**PAD 070016**  
AFC 27 SPN Mat. 90  
ICP 346 Age/Calv. 9/8  
Avg. WI/Calf 100/8

**GCD 050148**  
SPN Mat. 110

**LAR 050203**  
AFC 34 SPN Mat. 87  
ICP 429 Age/Calv. 12/9  
Avg. WI/Calf 102/8

**BG 960125**  
SPN Mat. 102

**CSW 980048**  
SPN Mat. 115

**AG 020220**  
SPN Mat. 79

**AG 920120**  
SPN Mat. 92

**EI 940339**  
SPN Mat. 115

**GCD 960035**  
SPN Mat. 90


**LAR 010297**  
SPN Mat. 71

**LAR 940032**  
SPN Mat. 97

**Lot 17**

**PIK 170090**  
SPN Mat. 104

**FCT 110049**  
SPN Mat. 61



**OLI 120410**  
AFC 34 SPN Mat. 102  
ICP 383 Age/Calv. 6/4  
RI 106 Avg. WI/Calf 102/3

**WAT 070039**  
SPN Mat. 60

**FCT 030132**  
AFC 26 SPN Mat. 75  
ICP 406 Age/Calv. 11/9  
Avg. WI/Calf 96/9

**BBN 090076**  
SPN Mat. 86

**BBN 060150**  
AFC 29 SPN Mat. 105  
ICP 389 Age/Calv. 11/9  
Avg. WI/Calf 99/8

**WAT 030025**  
SPN Mat. 42

**WAT 040135**  
SPN Mat. 110

**FCT 000108**  
SPN Mat. 69

**FCT 970004**  
SPN Mat. 92

**AG 050137**  
SPN Mat. 74

**BBN 060068**  
SPN Mat. 91


**JRB 000046**  
SPN Mat. 95

**JRB 980281**  
SPN Mat. 121

**Lot 18**

**PIK 170036**  
SPN Mat. 89

**NFS 080168**  
SPN Mat. 92  
Bronze



**BBP 100312**  
AFC 35 SPN Mat. 87  
ICP 442 Age/Calv. 7/4  
RI 96 Avg. WI/Calf 103/3

**RGR 030116**  
SPN Mat. 87

**T 030095**  
AFC 27 SPN Mat. 119  
ICP 395 Age/Calv. 6/4  
Avg. WI/Calf 100/4

**AG 060373**  
SPN Mat. 80

**BBP 070076**  
AFC \* SPN Mat. 84  
ICP 368 Age/Calv. \*/8  
Avg. WI/Calf 96/7

**RGR 970055**  
SPN Mat. 122

**RGR 960015**  
SPN Mat. 77

**DFP 000173**  
SPN Mat. 123

**T 950050**  
SPN Mat. 110


**AG 010245**  
SPN Mat. 68

**AG 000220**  
SPN Mat. 89

**Lot 19**

**WB 160018**  
SPN Mat. 74

**FCT 110049**  
SPN Mat. 61



**WB 120003**  
AFC 26 SPN Mat. 92  
ICP 547 Age/Calv. 5/3  
RI 100 Avg. WI/Calf 96/3

**WAT 070039**  
SPN Mat. 60

**FCT 030132**  
AFC 26 SPN Mat. 75  
ICP 406 Age/Calv. 11/9  
Avg. WI/Calf 96/9

**JPL 090097**  
SPN Mat. 104

**WB 060020**  
AFC \* SPN Mat. 80  
ICP 361 Age/Calv. \*/2  
Avg. WI/Calf 91/2

**WAT 030025**  
SPN Mat. 42

**WAT 040135**  
SPN Mat. 110

**FCT 000108**  
SPN Mat. 69

**FCT 970004**  
SPN Mat. 92

**MRW 020162 P**  
SPN Mat. 81

**JPL 060002 P**  
SPN Mat. 112



Lot	Verkoper	ID POENA Gen	OUERS VADER GV OV MOEDER GV OV	Toets Genomies Getoets DNS Geb. dat.	DIREKTE KALF EIENSKAPPE		DOGTER EIENSKAPPE			GROEI		DOEL	REP	MATES Hoogte & Lengte	V:	Semen Gebruikers	Gebruiker Eie Opmerkings
					Nageslag Geboorte- gewig	Nageslag Speengewig	Gemak van Kalwing	Melk prod.	Volwas- se Gewig	Naspeen- gewig	Daaglikse Toename						
<b>Teelwaarde indekse</b>																	
					<b>Geb Dir</b>	<b>Speen Dir</b>	<b>Geb Mat</b>	<b>Speen Mat</b>	<b>Volw Gew</b>	<b>Naspeen</b>	<b>GDT</b>	<b>VOV</b>	<b>SO</b>	<b>Hgt</b>	<b>Lgt</b>		
					Akk	Akk	Akk	Akk	Akk	Akk	Akk	Akk	Akk	Akk	Akk		
					Gew kg	Gew kg	Ind	kg	kg	kg	365d Ind	540d Ind	Ind	Ind	(mm)	(mm)	(mm)

## BULLE


20	XHARIEP BONSMARA STOET	WB 160046 SP	GZV 090048 <input checked="" type="checkbox"/>	NS540	<b>112</b>	<b>100</b>	<b>103</b>	<b>90</b>	<b>93</b>	<b>96</b>	<b>103</b>	<b>101</b>	<b>110</b>	<b>100</b>	<b>102</b>	-	
				DNS	-0.18 74	13.3 67	-0.37 45	0.8 47	2.0 37	18.8 58	108 41	-50 17	17.4 45	2 46	16 44	9.68	
				21.11.16	30	255	109		103	107	-	-	-	-	-	77.3	
21	XHARIEP BONSMARA STOET	WB 160076 B	GZV 120165 <input checked="" type="checkbox"/>	NS540	<b>88</b>	<b>99</b>	<b>104</b>	<b>86</b>	<b>97</b>	<b>91</b>	<b>87</b>	<b>85</b>	<b>106</b>	<b>99</b>	<b>101</b>	-	
				DNS	2.37 75	13.1 54	-0.43 48	-0.2 46	7.0 36	15.8 40	36 40	-15 16	14.1 44	1 45	14 43	8.84	
				20.12.16	39	321	98		98	97	-	-	-	-	-	60.6	
22	XHARIEP BONSMARA STOET	WB 160033 SP	JJS 140004 <input checked="" type="checkbox"/>	NS540	<b>118</b>	<b>81</b>	<b>114</b>	<b>84</b>	<b>96</b>	<b>81</b>	<b>89</b>	<b>86</b>	<b>101</b>	<b>97</b>	<b>98</b>	-	
				DNS	-0.84 74	5.2 66	-0.84 44	-0.9 44	5.0 32	8.7 56	41 43	-18 13	9.8 46	-1 47	10 46	8.1	
				06.11.16	32	219	91		96	92	-	-	-	-	-	53.4	




**Lot 20**

<b>WB 160046</b> SPN Mat. 90	<b>GZV 090048</b> SPN Mat. 94 	 <b>PHR 060062</b> SPN Mat. 77 Elite-Goud <b>GZV 060207</b> OEK 25 SPN Mat. 113 TKP 396 Oud/Kalw. 12/10 Gem. Si/Kalf 102/8 <b>GZV 090101</b> SPN Mat. 100 <b>WB 120018</b> OEK 25 SPN Mat. 97 TKP 499 Oud/Kalw. 6/4 Gem. Si/Kalf 101/2	<b>PHR 030036</b> SPN Mat. 115 <b>PHR 020091</b> SPN Mat. 68 <b>GZV 030096</b> SPN Mat. 111 <b>GZV 040084</b> SPN Mat. 100 <b>GZV 060206</b> SPN Mat. 84 <b>GZV 030011</b> SPN Mat. 95 <b>JPL 090097</b> SPN Mat. 104 <b>WB 060130</b> SPN Mat. 86	
				<b>WB 140036</b> OEK 24 SPN Mat. 95 TKP 336 Oud/Kalw. 3/2 RI 125 Gem. Si/Kalf 98/2

**Lot 21**

<b>WB 160076</b> SPN Mat. 86	<b>GZV 120165</b> SPN Mat. 87 	<b>TOR 080086</b> SPN Mat. 89 <b>GZV 050130</b> OEK 25 SPN Mat. 88 TKP 369 Oud/Kalw. 11/10 Gem. Si/Kalf 101/9 <b>JPL 090097</b> SPN Mat. 104 <b>WB 130082</b> OEK 37 SPN Mat. 86 TKP 395 Oud/Kalw. 5/3 RI 98 Gem. Si/Kalf 99/2 <b>WB 060006</b> OEK * SPN Mat. 73 TKP 365 Oud/Kalw. *5 Gem. Si/Kalf 92/5	<b>TOR 060143</b> SPN Mat. 103 <b>RAI 040017</b> SPN Mat. 97 <b>JRB 970047</b> SPN Mat. 92 <b>GZV 990040</b> SPN Mat. 86 <b>MRW 020162 P</b> SPN Mat. 81 <b>JPL 060002 P</b> SPN Mat. 112
---------------------------------	---	---	--

**Lot 22**

<b>WB 160033</b> SPN Mat. 84	<b>JJS 140004</b> SPN Mat. 79 	<b>SYF 100251</b> SPN Mat. 102 <b>ADV 050107</b> OEK 30 SPN Mat. 55 TKP 412 Oud/Kalw. 12/9 Gem. Si/Kalf 93/9 <b>GZV 090101</b> SPN Mat. 100 <b>WB 100006</b> OEK 24 SPN Mat. 79 TKP 369 Oud/Kalw. 8/7 Gem. Si/Kalf 104/6	<b>SYF 070008</b> SPN Mat. 105 <b>SYF 060153</b> SPN Mat. 96 <b>SYF 020102</b> SPN Mat. 64 <b>AG 970068</b> SPN Mat. 75 <b>GZV 060206</b> SPN Mat. 84 <b>GZV 030011</b> SPN Mat. 95 <b>GZV 060206</b> SPN Mat. 84 <b>GZV 990011</b> SPN Mat. 70	
				<b>WB 120040</b> OEK 36 SPN Mat. 89 TKP 424 Oud/Kalw. 5/3 RI 97 Gem. Si/Kalf 97/3


## FEMALE ANIMALS

Lot	Seller	ID POLLED Gen	PARENTS		Test Genomic Tested DNA Birth Date	DIRECT CALF TRAITS					DAUGHTER TRAITS			GROWTH		EFF.	REP	MEASURE-MENTS			R:	Days Open	Breeder Own Remarks										
			SIRE GV PV	DAM GV PV		Progeny Birth Weight	Progeny Wean Weight	Ease of Calving	Milk prod.	Mature Weight	Post Wean Weight	Daily Gain	Feed Conv	Height & Length																			
			Birth Dir	Wean Dir		Birth Mat	Wean Mat	Mat Wgt	Post Wean	ADG	FCR	SC	Hgt	Lgt	LHR	BWR	WWR	Age															
<b>Breeding Value Indexes</b>																																	
					Acc	Acc	Acc	Acc	Acc	Acc	Acc	Acc	Acc	Acc	Acc	Acc	Acc	Acc	Acc	Acc	Acc	Calves											


## Pregnant Cows

24	SCHULTZ BONSMARAS	AVW 160002 SP	FCT 100167 GZV 050138	PW365 19.03.16	<b>89</b> 2.25 78 34	<b>112</b> 18.6 75	<b>95</b> 0.01 53	<b>108</b> 5.7 56	<b>102</b> 12.0 44	<b>106</b> 25.7 62	<b>102</b> 101 52	<b>91</b> -27 27	<b>99</b> 8.3 55	<b>107</b> 7 55	<b>110</b> 27 54	- 5.95	139 3.1	1 1	Dragtig 14 weke van Meerbulparing.
25	SCHULTZ BONSMARAS	HCO 160163 SP	HCO 120242 HCO 100271	PW365 DNA 01.09.16	<b>91</b> 2.02 77 40	<b>105</b> 15.4 71	<b>85</b> 0.47 49	<b>121</b> 9.4 51	<b>120</b> 32.0 42	<b>107</b> 26.4 58	<b>101</b> 96 49	<b>99</b> -44 25	<b>106</b> 14.1 53	<b>118</b> 17 54	<b>114</b> 33 52	- 6.94	136 2.6	1 1	Dragtig 6 weke van Meerbulparing.
27	SCHULTZ BONSMARAS	PIK 160033 SP	AG 090127 OUH 080042	PW365 20.03.16	<b>108</b> 0.26 78 33	<b>92</b> 9.8 74	<b>105</b> -0.45 57	<b>83</b> -1.0 59	<b>110</b> 21.0 49	<b>92</b> 16.4 62	<b>85</b> 24 52	<b>82</b> -8 21	<b>98</b> 7.6 56	<b>80</b> -15 56	<b>94</b> 5 55	- -	139 3.1	1 1	Dragtig 6 weke van Meerbulparing.
30	SCHULTZ BONSMARAS	PIK 160113 SP	AG 110737 TEW 120110	PW365 DNA 03.11.16	<b>93</b> 1.80 76 34	<b>105</b> 15.6 71	<b>91</b> 0.20 43	<b>95</b> 2.1 47	<b>102</b> 12.0 35	<b>110</b> 28.4 56	<b>118</b> 172 41	<b>116</b> -80 26	<b>107</b> 15.0 45	<b>103</b> 5 46	<b>110</b> 27 45	- -	140 2.5	1 1	Dragtig 4 weke van Meerbulparing.
31	SCHULTZ BONSMARAS	HDE 140190 SP	ABB 080223 HDE 050192	PW540 19.10.14	<b>103</b> 0.84 80 37	<b>84</b> 6.5 75	<b>91</b> 0.17 60	<b>118</b> 8.4 57	<b>91</b> 0.0 45	<b>80</b> 7.9 68	<b>91</b> 54 54	<b>96</b> -39 29	<b>99</b> 8.6 57	<b>106</b> 6 57	<b>96</b> 8 56	- 6.92	24 4.5	37 2	Dragtig 6 weke van Meerbulparing.
32	SCHULTZ BONSMARAS	PIK 150059 SP	BBP 120140 BBP 130014	PW365 DNA 19.10.15	<b>105</b> 0.55 78 28	<b>101</b> 13.8 74	<b>104</b> -0.42 54	<b>117</b> 8.2 58	<b>88</b> -3.0 25	<b>106</b> 25.4 56	<b>108</b> 130 45	<b>99</b> -44 16	<b>114</b> 20.5 49	<b>103</b> 4 50	<b>104</b> 19 48	- -	137 3.5	2 2	Dragtig 10 weke van Meerbulparing.


**Lot 24** Dragtig 14 weke van Meerbulparing.

<p><b>AVW 160002</b>                  SPN Mat. 108                  AFC 33                  ICP                  RI 101                  Age/Calv. 3/1                  Avg. WI/Calf 100/1</p>	<p><b>FCT 100167</b>                  SPN Mat. 107</p> 	<p><b>FCT 080118</b>                  SPN Mat. 96</p>	<p><b>FCT 050041</b>                  SPN Mat. 101  <b>FCT 050072</b>                  SPN Mat. 97  <b>FCT 050121</b>                  SPN Mat. 101  <b>FCT 980017</b>                  SPN Mat. 118  <b>JRB 930179</b>                  SPN Mat. 79  <b>JRB 920150</b>                  SPN Mat. 98  <b>AG 950268</b>                  SPN Mat. 72  <b>MBZ J 0058</b>                  SPN Mat. 82</p>


**Lot 25** Dragtig 6 weke van Meerbulparing.

<p><b>HCO 160163</b>                  SPN Mat. 121                  AFC 27                  ICP                  RI 117                  Age/Calv. 2/1                  Avg. WI/Calf 100/1</p>	<p><b>HCO 120242</b>                  SPN Mat. 111</p> 	<p><b>AG 080107</b>                  SPN Mat. 92</p>	<p><b>EI 980080</b>                  SPN Mat. 89  <b>AG 960131</b>                  SPN Mat. 97  <b>NFS 000071</b>                  SPN Mat. 140  <b>NFS 970262</b>                  SPN Mat. 125  <b>HJB 010720</b>                  SPN Mat. 127  <b>JPL 010061</b>                  SPN Mat. 136  <b>EI 050073</b>                  SPN Mat. 95  <b>HCO 060006</b>                  SPN Mat. 95</p>


**Lot 27** Dragtig 6 weke van Meerbulparing.

<p><b>PIK 160033</b>                  SPN Mat. 83                  AFC 33                  ICP                  RI 101                  Age/Calv. 3/1                  Avg. WI/Calf 100/1</p>	<p><b>AG 090127</b>                  SPN Mat. 65</p> 	<p><b>FCT 060109</b>                  SPN Mat. 125</p>	<p><b>FCT 040101</b>                  SPN Mat. 92  <b>FCT 980024</b>                  SPN Mat. 115  <b>AG 030029</b>                  SPN Mat. 66  <b>AG 020241</b>                  SPN Mat. 94  <b>TBR 970554</b>                  SPN Mat. 78  <b>TBR 950260</b>                  SPN Mat. 138  <b>JJF 970095</b>                  SPN Mat. 90  <b>MFF 920020</b>                  SPN Mat. 74</p>


**Lot 30** Dragtig 4 weke van Meerbulparing.

<p><b>PIK 160113</b>                  SPN Mat. 95                  AFC 25                  ICP                  RI 124                  Age/Calv. 2/1                  Avg. WI/Calf 99/1</p>	<p><b>AG 110737</b>                  SPN Mat. 90</p> 	<p><b>AG 060401</b>                  SPN Mat. 74</p>	<p><b>AG 010245</b>                  SPN Mat. 68  <b>AG 960278</b>                  SPN Mat. 96  <b>AG 010289</b>                  SPN Mat. 110  <b>AG 040065</b>                  SPN Mat. 113  <b>TEW 060030</b>                  SPN Mat. 91  <b>TEW 030053</b>                  SPN Mat. 133  <b>AG 010258</b>                  SPN Mat. 96  <b>TEW 030053</b>                  SPN Mat. 133</p>

**Lot 31** Dragtig 6 weke van Meerbulparing.

<p><b>HDE 140190</b>                  SPN Mat. 118                  AFC 31                  ICP 422                  RI 106                  Age/Calv. 4/2                  Avg. WI/Calf 93/2</p>	<p><b>ABB 080223</b>                  SPN Mat. 102</p> 	<p><b>HJS 050027</b>                  SPN Mat. 92</p>	<p><b>BG 960125</b>                  SPN Mat. 102  <b>HJS 970224</b>                  SPN Mat. 110  <b>JH 980325</b>                  SPN Mat. 109  <b>VHD 970019</b>                  SPN Mat. 114  <b>VV 940061</b>                  SPN Mat. 111  <b>PER 960043</b>                  SPN Mat. 113  <b>HDE 990110</b>                  SPN Mat. 114  <b>HDE 980147</b>                  SPN Mat. 101</p>

**Lot 32** Dragtig 10 weke van Meerbulparing.

<p><b>PIK 150059</b>                  SPN Mat. 117                  AFC 26                  ICP 352                  RI 120                  Age/Calv. 3/2                  Avg. WI/Calf 110/1</p>	<p><b>BBP 120140</b>                  SPN Mat. 107</p> 	<p><b>RGR 060103</b>                  SPN Mat. 96</p>	<p><b>RGR 030060</b>                  SPN Mat. 101  <b>RGR 960102</b>                  SPN Mat. 89  <b>AG 040156</b>                  SPN Mat. 117  <b>LSV 070007</b>                  SPN Mat. 100  <b>BHE 030028</b>                  SPN Mat. 91  <b>DNN 000138</b>                  SPN Mat. 96</p>



**VROULIKE DIERE**

Lot	Verkoper	ID	OUERS	Toets	Teelwaarde indekse											Dae Oop	Gebruiker Eie Opmerkings	
					DIREKTE KALF EIENSKAPPE		DOGTER EIENSKAPPE			GROEI		DOEL	REP	MATES				V:
		POENA	VADER GV OV	Genomies Getoets	Geb Dir	Speen Dir	Geb Mat	Speen Mat	Volwas- se Gewig	Naspeen- gewig	GDT	VOV	SO	Hgt	Lgt	LHV	Oud	
		Gen	MOEDER GV OV	DNS	Akk	Akk	Akk	Akk	Akk	Akk	Akk	Akk	Akk	Akk	Akk	GGV		Kalwers
				Geb. dat.	Gew kg	Gew kg	Ind	kg	kg	kg	365d Ind	540d Ind	Ind	Ind	(mm)	(mm)		



**Dragtige Koeie**

33	SCHULTZ BONSMARAS	PIK 150221 SP	BBP 120140 <input checked="" type="checkbox"/>	NS365	<b>89</b>	<b>114</b>	<b>100</b>	<b>107</b>	<b>94</b>	<b>119</b>	<b>117</b>	<b>108</b>	<b>118</b>	<b>98</b>	<b>106</b>	-	182	Dragtig 22 weke van Meerbulparing.
			BBP 120340 <input checked="" type="checkbox"/>	DNS	2.28	19.5	-0.23	5.4	3.0	34.8	168	-64	23.4	1	21	8.04	3.6	
				12.09.15	34													
34	SCHULTZ BONSMARAS	PIK 160087 SP	WAT 090100 <input checked="" type="checkbox"/>	NS365	<b>93</b>	<b>111</b>	<b>98</b>	<b>121</b>	<b>115</b>	<b>113</b>	<b>108</b>	<b>112</b>	<b>101</b>	<b>113</b>	<b>109</b>	-	135	Dragtig 10 weke van Meerbulparing.
			BBP 120007	DNS	1.84	18.1	-0.13	9.3	26.0	30.7	130	-71	9.8	12	26	-	2.6	
				29.09.16	33													
35	SCHULTZ BONSMARAS	PIK 160129 SP	AG 110402 <input checked="" type="checkbox"/>	NS365	<b>88</b>	<b>103</b>	<b>105</b>	<b>93</b>	<b>87</b>	<b>102</b>	<b>90</b>	<b>90</b>	<b>98</b>	<b>85</b>	<b>94</b>	-	137	Dragtig 6 weke van Meerbulparing.
			CRV 100115 <input checked="" type="checkbox"/>	DNS	2.40	14.6	-0.46	1.6	-5.0	22.8	46	-25	7.7	-10	4	-	2.4	
				29.11.16	34													
37	SCHULTZ BONSMARAS	BBP 130014 B	DBP 070101	NS540	<b>105</b>	<b>86</b>	<b>110</b>	<b>123</b>	<b>80</b>	<b>89</b>	<b>85</b>	<b>85</b>	<b>100</b>	<b>93</b>	<b>92</b>	-	302	Dragtig 24 weke van Meerbulparing.
			BBP 080315	DNS	0.54	7.1	-0.66	9.8	-12.0	14.0	24	-15	9.3	-4	2	5.94	6.2	
				22.01.13	33													
38	SCHULTZ BONSMARAS	BBP 130017 B	DBP 070101 <input checked="" type="checkbox"/>	NS540	<b>107</b>	<b>80</b>	<b>106</b>	<b>135</b>	<b>86</b>	<b>80</b>	<b>85</b>	<b>88</b>	<b>102</b>	<b>99</b>	<b>92</b>	-	359	Dragtig 31 weke van Meerbulparing.
			BBP 050202	DNS	0.38	4.5	-0.51	13.0	-5.0	8.2	24	-22	11.0	1	3	7.71	6.3	
				09.01.13	38													
39	SCHULTZ BONSMARAS	BBP 130053 B	EI 980080 <input checked="" type="checkbox"/>	NS540	<b>110</b>	<b>86</b>	<b>112</b>	<b>96</b>	<b>87</b>	<b>88</b>	<b>88</b>	<b>90</b>	<b>94</b>	<b>86</b>	<b>93</b>	-	304	Dragtig 31 weke van Meerbulparing.
			BBP 080166	DNS	0.09	7.2	-0.79	2.3	-4.0	13.8	41	-26	4.4	-10	4	5.37	6	
				09.04.13	27													



**Lot 33** Dragtig 22 weke van Meerbulparing.

<p><b>PIK 150221</b> SPN Mat. 107 OEK 27 TKP 307 RI 121 Oud/Kalw. 3/2 Gem. Si/Kalf 103/2</p>	 <p><b>BBP 120140</b> SPN Mat. 107</p>		<p><b>RGR 060103</b> SPN Mat. 96</p>	<p><b>RGR 030060</b> SPN Mat. 101 <b>RGR 960102</b> SPN Mat. 89 <b>AG 040156</b> SPN Mat. 117 <b>LSV 070007</b> SPN Mat. 100 <b>AG 020193</b> SPN Mat. 112 <b>AG 950012</b> SPN Mat. 119</p>
			<p><b>BBP 100105</b> OEK 26 SPN Mat. 115 TKP 404 Oud/Kalw. 8/6 Gem. Si/Kalf 106/5</p>	<p><b>BBP 070056</b> SPN Mat.</p>
			<p><b>BBP 120340</b> OEK 33 SPN Mat. 101 TKP 394 Oud/Kalw. 6/4 RI 105 Gem. Si/Kalf 98/2</p>	<p><b>BBP 070056</b> OEK * SPN Mat. 83 TKP 363 Oud/Kalw. */7 Gem. Si/Kalf 98/6</p>



**Lot 34** Dragtig 10 weke van Meerbulparing.

<p><b>PIK 160087</b> SPN Mat. 121 OEK 26 TKP RI 120 Oud/Kalw. 2/1 Gem. Si/Kalf 101/1</p>	 <p><b>WAT 090100</b> SPN Mat. 131</p>		<p><b>WAT 060355</b> SPN Mat. 127</p>	<p><b>FCT 030186</b> SPN Mat. 99 <b>WAT 000181</b> SPN Mat. 120 <b>WAT 000200</b> SPN Mat. 112 <b>WAT 960090</b> SPN Mat. 90 <b>JRB 960010</b> SPN Mat. 154 <b>PTF 950024</b> SPN Mat. 109</p>
			<p><b>WAT 050106</b> OEK 34 SPN Mat. 118 TKP 432 Oud/Kalw. 11/8 Gem. Si/Kalf 104/6</p>	<p><b>PTF 030057</b> SPN Mat. 148</p>
			<p><b>BBP 120007</b> OEK 34 SPN Mat. 110 TKP 365 Oud/Kalw. 6/4 RI 108 Gem. Si/Kalf 95/4</p>	<p><b>BBP 050341</b> OEK * SPN Mat. 101 TKP 367 Oud/Kalw. */7 Gem. Si/Kalf 102/6</p>


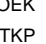
**Lot 35** Dragtig 6 weke van Meerbulparing.

<p><b>PIK 160129</b> SPN Mat. 93 OEK 24 TKP RI 126 Oud/Kalw. 2/1 Gem. Si/Kalf 100/1</p>	 <p><b>AG 110402</b> SPN Mat. 87</p>		<p><b>AG 070361</b> SPN Mat. 66</p>	<p><b>LAR 010176</b> SPN Mat. 85 <b>AG 030421</b> SPN Mat. 76 <b>HJL 000023</b> SPN Mat. 94 <b>AG 990115</b> SPN Mat. 118 <b>LAR 010176</b> SPN Mat. 85 <b>AG 020103</b> SPN Mat. 106 <b>AG 970002</b> SPN Mat. 79 <b>LMR 960107</b> SPN Mat. 104</p>
			<p><b>AG 070212</b> OEK 37 SPN Mat. 109 TKP 412 Oud/Kalw. 6/4 Gem. Si/Kalf 100/4</p>	<p><b>WBB 060002</b> SPN Mat. 97 Goud</p>
			<p><b>CRV 100115</b> OEK 34 SPN Mat. 100 TKP 405 Oud/Kalw. 8/6 RI 103 Gem. Si/Kalf 101/6</p>	<p><b>LMR 020335</b> OEK 30 SPN Mat. 96 TKP 443 Oud/Kalw. 12/9 Gem. Si/Kalf 95/9</p>


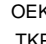
**Lot 37** Dragtig 24 weke van Meerbulparing.

<p><b>BBP 130014</b> SPN Mat. 123 OEK 33 TKP 327 RI 114 Oud/Kalw. 5/4 Gem. Si/Kalf 105/4</p>	 <p><b>DBP 070101</b> SPN Mat. 113</p>		<p><b>BHE 030028</b> SPN Mat. 91</p>	<p><b>BHE 010013</b> SPN Mat. 82 <b>RCO 000145</b> SPN Mat. 109 <b>DNN 950203</b> SPN Mat. 90 <b>TBR 920062</b> SPN Mat. 93</p>
			<p><b>DNN 000138</b> OEK 27 SPN Mat. 96 TKP 391 Oud/Kalw. 9/7 Gem. Si/Kalf 100/7</p>	<p>SPN Mat.</p>
			<p><b>BBP 080315</b> OEK * SPN Mat. 116 TKP 365 Oud/Kalw. */7 RI 116 Gem. Si/Kalf 105/7</p>	<p>SPN Mat.</p>

**Lot 38** Dragtig 31 weke van Meerbulparing.

<p><b>BBP 130017</b> SPN Mat. 135 OEK 34 TKP 305 RI 116 Oud/Kalw. 5/4 Gem. Si/Kalf 100/4</p>	 <p><b>DBP 070101</b> SPN Mat. 113</p>		<p><b>BHE 030028</b> SPN Mat. 91</p>	<p><b>BHE 010013</b> SPN Mat. 82 <b>RCO 000145</b> SPN Mat. 109 <b>DNN 950203</b> SPN Mat. 90 <b>TBR 920062</b> SPN Mat. 93</p>
			<p><b>DNN 000138</b> OEK 27 SPN Mat. 96 TKP 391 Oud/Kalw. 9/7 Gem. Si/Kalf 100/7</p>	<p>SPN Mat.</p>
			<p><b>BBP 050202</b> OEK * SPN Mat. 140 TKP 370 Oud/Kalw. */7 RI 115 Gem. Si/Kalf 106/7</p>	<p>SPN Mat.</p>

**Lot 39** Dragtig 31 weke van Meerbulparing.

<p><b>BBP 130053</b> SPN Mat. 96 OEK 32 TKP 310 RI 118 Oud/Kalw. 5/4 Gem. Si/Kalf 103/4</p>	 <p><b>EI 980080</b> SPN Mat. 89</p>		<p><b>BG 960125</b> SPN Mat. 102</p>	<p><b>VV 930249</b> SPN Mat. 89 <b>VV N 0170</b> SPN Mat. 116 <b>EI 920142</b> SPN Mat. 123 <b>EI H 0042</b> SPN Mat. 93</p>
			<p><b>EI 950140</b> OEK 35 SPN Mat. 102 TKP 483 Oud/Kalw. 10/6 Gem. Si/Kalf 97/6</p>	<p>SPN Mat.</p>
			<p><b>BBP 080166</b> OEK * SPN Mat. 103 TKP 441 Oud/Kalw. */3 RI 99 Gem. Si/Kalf 104/3</p>	<p>SPN Mat.</p>

## FEMALE ANIMALS

Lot	Seller	ID	PARENTS	Test	Breeding Value Indexes											Days Open	Breeder Own Remarks				
					DIRECT CALF TRAITS		DAUGHTER TRAITS			GROWTH		EFF.	REP	MEASURE-MENTS				R:			
					Progeny Birth Weight	Progeny Wean Weight	Ease of Calving	Milk prod.	Mature Weight	Post Wean Weight	Daily Gain	Feed Conv			Height & Length						
POLLED	Gen	SIRE GV PV	DAM GV PV	Genomic Tested DNA	Birth Dir		Wean Dir		Birth Mat	Wean Mat	Mat Wgt	Post Wean		ADG	FCR	SC	Hgt	Lgt	LHR	Age	
					Acc	Acc	Acc	Acc	Acc	Acc	Acc	Acc	Acc	Acc	Acc	Acc	Acc	Acc	Acc		BWR
					Wgt kg	Wgt kg	Ind	kg	kg	kg	365d Ind	540d Ind	Ind	Ind	(mm)	(mm)	(mm)	WWR	Calves		

## Pregnant Cows



40	SCHULTZ BONSMARAS	BBP 120217	LAR 070090	PW540	<b>91</b>	<b>98</b>	<b>93</b>	<b>125</b>	<b>106</b>	<b>96</b>	<b>93</b>	<b>97</b>	<b>111</b>	<b>87</b>	<b>93</b>	-	238	Dragtig 24 weke van Meerbulparing.
			<input checked="" type="checkbox"/>		2.00	12.6	0.07	10.5	16.0	18.7	61	-41	18.0	-8	3	7.07	6.7	
			BZK 050006	DNA	82	76	73	70	55	71	58	27	60	61	60	44.4	4	
41	SCHULTZ BONSMARAS	OLI 120208	GBB 080237	PW540	<b>107</b>	<b>93</b>	<b>100</b>	<b>113</b>	<b>112</b>	<b>91</b>	<b>87</b>	<b>89</b>	<b>92</b>	<b>110</b>	<b>99</b>	-	182	Dragtig 31 weke van Meerbulparing.
			<input checked="" type="checkbox"/>		0.41	10.4	-0.23	7.2	23.0	15.2	34	-23	3.0	9	12	-	6.6	
			BBN 070025	DNA	81	78	71	76	47	70	49	16	52	52	51	40.1	4	
42	SCHULTZ BONSMARAS	CRV 100115	WBB 060002	PW540	<b>88</b>	<b>107</b>	<b>101</b>	<b>100</b>	<b>84</b>	<b>107</b>	<b>90</b>	<b>88</b>	<b>102</b>	<b>105</b>	<b>103</b>	-	183	Dragtig 31 weke van Meerbulparing.
			<input checked="" type="checkbox"/>		2.32	16.3	-0.27	3.5	-7.0	26.6	50	-21	11.1	6	17	-	8.9	
			LMR 020335	DNA	84	81	76	81	59	72	57	54	60	60	59	40.6	6	
43	SCHULTZ BONSMARAS	KAN 120054	LAR 040147	PW540	<b>83</b>	<b>95</b>	<b>89</b>	<b>118</b>	<b>89</b>	<b>100</b>	<b>96</b>	<b>100</b>	<b>98</b>	<b>96</b>	<b>97</b>	-	121	Dragtig 18 weke van Meerbulparing.
			<input checked="" type="checkbox"/>		2.85	11.3	0.25	8.4	-2.0	21.6	73	-46	7.4	-1	9	-	6.5	
			KAN 040130	DNA	81	75	72	65	52	56	54	32	57	57	56	44	4	
44	SCHULTZ BONSMARAS	BBP 110194	MB 050096	PW365	<b>73</b>	<b>118</b>	<b>90</b>	<b>128</b>	<b>112</b>	<b>112</b>	<b>105</b>	<b>98</b>	<b>110</b>	<b>119</b>	<b>115</b>	-	182	Dragtig 31 weke van Meerbulparing.
			<input checked="" type="checkbox"/>		3.94	21.2	0.21	11.1	22.0	30.0	114	-42	17.3	17	34	11.08	7.6	
			BBP 080138	DNA	80	75	71	75	41	58	44	11	49	50	48	50.1	5	
45	SCHULTZ BONSMARAS	MBT 080004	CEG 050056	PW365	<b>110</b>	<b>101</b>	<b>119</b>	<b>111</b>	<b>85</b>	<b>100</b>	<b>125</b>	<b>113</b>	<b>112</b>	<b>119</b>	<b>115</b>	-	349	Dragtig 31 weke van Meerbulparing.
			<input checked="" type="checkbox"/>		0.07	13.8	-1.10	6.6	-6.0	21.5	206	-73	18.4	17	34	-	11.2	
			MBT 050128	DNA	86	83	81	83	71	74	65	60	68	68	67	54.1	7	

Breed Average


1.10	13.4	-0.23	3.5	10	21.6	93	-47	9.3	2	13
------	------	-------	-----	----	------	----	-----	-----	---	----

03/2019: SA Stud Book


**Lot 40** Dragtig 24 weke van Meerbulparing.

<p><b>BBP 120217</b>                  SPN Mat. 125                  AFC 39                  ICP 338                  RI 105                  Age/Calv. 6/4                  Avg. WI/Calf 101/4</p>	<p><b>LAR 070090</b>                  SPN Mat. 121</p> 	<p><b>BG 040088</b>                  SPN Mat. 114</p>  <p>Elite-Gold  <b>LAR 040288</b>                  AFC 33 SPN Mat. 106                  ICP 388 Age/Calv. 11/9                  Avg. WI/Calf 102/8  <b>JJF 010071</b>                  SPN Mat. 132</p>	<p><b>BG 020058</b>                  SPN Mat. 119  <b>BG 000021</b>                  SPN Mat. 101  <b>LAR 020331</b>                  SPN Mat. 107  <b>LAR 000032</b>                  SPN Mat. 109  <b>JJF 970046</b>                  SPN Mat. 103  <b>JJF 900133</b>                  SPN Mat. 110  <b>AG N 0174</b>                  SPN Mat. 113  <b>BZK 960008</b>                  SPN Mat. 93</p>


**Lot 41** Dragtig 31 weke van Meerbulparing.

<p><b>OLI 120208</b>                  SPN Mat. 113                  AFC 36                  ICP 378                  RI 104                  Age/Calv. 6/4                  Avg. WI/Calf 101/4</p>	<p><b>GBB 080237</b>                  SPN Mat. 110</p> 	<p><b>GBB 050169</b>                  SPN Mat. 79</p>	<p><b>GCS 020022</b>                  SPN Mat. 83  <b>GBB 020246</b>                  SPN Mat. 105  <b>GBB 960182</b>                  SPN Mat. 123  <b>GBB 910245</b>                  SPN Mat. 58  <b>IVY 970327</b>                  SPN Mat. 101  <b>JRB 960135</b>                  SPN Mat. 80</p>


**Lot 42** Dragtig 31 weke van Meerbulparing.

<p><b>CRV 100115</b>                  SPN Mat. 100                  AFC 34                  ICP 405                  RI 103                  Age/Calv. 8/6                  Avg. WI/Calf 101/6</p>	<p><b>WBB 060002</b>                  SPN Mat. 97                  Gold</p> 	<p><b>LAR 010176</b>                  SPN Mat. 85</p>	<p><b>AG 970048</b>                  SPN Mat. 94  <b>LAR 980262</b>                  SPN Mat. 94  <b>AG 960184</b>                  SPN Mat. 114  <b>AG 950083</b>                  SPN Mat. 93  <b>RCO 930012</b>                  SPN Mat. 94  <b>AG 930143</b>                  SPN Mat. 96  <b>AG 920143</b>                  SPN Mat. 100  <b>LMR 900038</b>                  SPN Mat. 103</p>


**Lot 43** Dragtig 18 weke van Meerbulparing.

<p><b>KAN 120054</b>                  SPN Mat. 118                  AFC 38                  ICP 368                  RI 102                  Age/Calv. 6/4                  Avg. WI/Calf 100/3</p>	<p><b>LAR 040147</b>                  SPN Mat. 119</p> 	<p><b>LAR 000084</b>                  SPN Mat. 103</p>	<p><b>AG 960059</b>                  SPN Mat. 110  <b>LAR 970205</b>                  SPN Mat. 83  <b>JHE N 0069</b>                  SPN Mat. 90  <b>LAR N 0295</b>                  SPN Mat. 126  <b>AG 930042</b>                  SPN Mat. 102  <b>NFS 920301</b>                  SPN Mat. 135  <b>T 950059</b>                  SPN Mat. 76  <b>KAN 900145</b>                  SPN Mat. 123</p>

**Lot 44** Dragtig 31 weke van Meerbulparing.

<p><b>BBP 110194</b>                  SPN Mat. 128                  AFC 34                  ICP 397                  RI 105                  Age/Calv. 7/5                  Avg. WI/Calf 108/5</p>	<p><b>MB 050096</b>                  SPN Mat. 139</p> 	<p><b>JRB 960010</b>                  SPN Mat. 154</p>	<p><b>JRB 910058</b>                  SPN Mat. 89  <b>JRB 930128</b>                  SPN Mat. 120  <b>AG 910218</b>                  SPN Mat. 99  <b>PTF 920100</b>                  SPN Mat. 78</p>

**Lot 45** Dragtig 31 weke van Meerbulparing.

<p><b>MBT 080004 P</b>                  Elite-Silver                  SPN Mat. 111                  AFC 38                  ICP 429                  RI 97                  Age/Calv. 10/7                  Avg. WI/Calf 101/7</p>	<p><b>CEG 050056</b>                  SPN Mat. 100                  Gold</p> 	<p><b>FCT 970024</b>                  SPN Mat. 95</p>	<p><b>LEL 900027</b>                  SPN Mat. 75  <b>JVD 910053</b>                  SPN Mat. 109  <b>CEG 950019</b>                  SPN Mat. 105  <b>CEG 900026</b>                  SPN Mat. 102  <b>CEG 960076</b>                  SPN Mat. 134  <b>CEG 980210</b>                  SPN Mat. 109  <b>CEG 990065</b>                  SPN Mat. 127  <b>CEG 990032</b>                  SPN Mat. 121</p>

**VROULIKE DIERE**

Lot	Verkoper	ID	OUERS	Toets	Teelwaarde indekse										Dae Oop	Gebruiker Eie Opmerkings			
					DIREKTE KALF EIENSKAPPE		DOGTER EIENSKAPPE			GROEI		DOEL	REP	MATES			V:		
		POENA	VADER GV OV	Genomies Getoets	Nageslag Geboorte- gewig	Nageslag Speengewig	Gemak van Kalwing	Melk prod.	Volwas- se Gewig	Naspeen- gewig	Daaglikse Toename	Voer- omset		Hoogte & Lengte					
		Gen	MOEDER GV OV	DNS	Geb Dir	Speen Dir	Geb Mat	Speen Mat	Volw Gew	Naspeen	GDT	VOV	SO	Hgt	Lgt	LHV			
				DNS	Akk	Akk	Akk	Akk	Akk	Akk	Akk	Akk	Akk	Akk	Akk	GGV			
				Geb. dat.	Gew kg	Gew kg	Ind	kg	kg	kg	365d Ind	540d Ind	Ind	Ind	(mm)	(mm)	(mm)	SGV	Kalwers

**Dragtige Koeie**


46	SCHULTZ BONSMARAS	AG 090101 SP	HJB 050052	NS540	<b>118</b>	<b>85</b>	<b>90</b>	<b>110</b>	<b>85</b>	<b>95</b>	<b>89</b>	<b>92</b>	<b>93</b>	<b>93</b>	<b>93</b>	-	166	Dragtig 12 weke van Meerbulparing.
				DNS	-0.75	6.9	0.21	6.2	-7.0	18.1	42	-30	3.9	-4	4	6.2	10.1	
			AG 040372	27.03.09	86	82	82	85	59	74	53	32	56	56	56	-	8	
47	SCHULTZ BONSMARAS	GJN 070042 SP	GJN 020101	NS365	<b>114</b>	<b>92</b>	<b>103</b>	<b>66</b>	<b>97</b>	<b>98</b>	<b>93</b>	<b>92</b>	<b>96</b>	<b>90</b>	<b>95</b>	-	298	Dragtig 12 weke van Meerbulparing.
					-0.41	9.8	-0.35	-5.9	7.0	20.0	59	-31	6.5	-7	6	-	11.5	
			GJN 030112	22.10.07	86	83	83	85	74	64	57	51	60	60	59	48.7	9	
48	SCHULTZ BONSMARAS	GJN 070052 SP	HJB 040251	NS365	<b>103</b>	<b>91</b>	<b>103</b>	<b>75</b>	<b>101</b>	<b>99</b>	<b>106</b>	<b>100</b>	<b>77</b>	<b>92</b>	<b>94</b>	-	325	Dragtig 30 weke van Meerbulparing.
					0.75	9.4	-0.38	-3.4	10.0	20.9	122	-47	-9.0	-5	5	-	11.5	
			HJB 020218	05.11.07	86	82	81	83	72	68	68	48	73	74	72	53.9	9	
50	SCHULTZ BONSMARAS	CRV 110406 SP	WBB 060002	NS540	<b>66</b>	<b>125</b>	<b>95</b>	<b>94</b>	<b>117</b>	<b>123</b>	<b>114</b>	<b>104</b>	<b>114</b>	<b>117</b>	<b>117</b>	-	240	Dragtig 4 weke van Meerbulparing.
					4.71	24.3	0.02	2.0	29.0	36.9	158	-55	20.4	15	36	-	7.4	
			EI 020127	17.11.11	83	79	74	76	64	72	64	55	68	68	67	42.2	5	
51	SCHULTZ BONSMARAS	AG 040201 SP	AG 980338	NS540	<b>79</b>	<b>112</b>	<b>61</b>	<b>83</b>	<b>101</b>	<b>114</b>	<b>99</b>	<b>106</b>	<b>107</b>	<b>87</b>	<b>95</b>	-	136	Dragtig 4 weke van Meerbulparing.
					3.36	18.8	1.55	-1.2	11.0	30.9	89	-59	15.2	-8	6	-	14.5	
			AG 000120	08.10.04	89	86	87	89	77	78	71	64	73	73	72	40.5	12	

**Koeie met Kalwers**


52	SCHULTZ BONSMARAS	OUH 080042 SP	TBR 010561	NS540	<b>113</b>	<b>96</b>	<b>96</b>	<b>100</b>	<b>133</b>	<b>91</b>	<b>92</b>	<b>89</b>	<b>106</b>	<b>100</b>	<b>102</b>	-	BONFPIK 180034	Dragtig 15 weke van Meerbulparing.
					-0.27	11.6	-0.05	3.5	45.0	15.5	57	-23	14.0	2	16	5.54	09.06.18 (36)	
			MFF 020028	13.10.08	85	80	79	80	64	71	62	24	68	69	67	46.3	BONMDBP 150030	




**Lot 46** Dragtig 12 weke van Meerbulparing.

<p><b>AG 090101</b> SPN Mat. 110 OEK 31 TKP 369 RI 113 Oud/Kalw. 10/8 Gem. Si/Kalf 98/8</p>	 <p><b>HJB 050052</b> SPN Mat. 119</p>	<p><b>NPT 910022</b> SPN Mat. 107</p> <p><b>LA 980114</b> SPN Mat. 111 Oud/Kalw. 7/4 Gem. Si/Kalf 106/4</p> <p><b>AG 020145</b> SPN Mat. 93 Goud</p> <p><b>AG 950083</b> SPN Mat. 93 Oud/Kalw. 15/12 Gem. Si/Kalf 102/11</p>	<p><b>JVD E 0075</b> SPN Mat. 56 <b>NPT L 0129</b> SPN Mat. 144 <b>LA 900195</b> SPN Mat. 101 <b>LA 950062</b> SPN Mat. 115 <b>AG 980338</b> SPN Mat. 87 <b>AG 950012</b> SPN Mat. 119 <b>AG 910138</b> SPN Mat. 73 <b>AG 910205</b> SPN Mat. 112</p>
---	--	--	---


**Lot 47** Dragtig 12 weke van Meerbulparing.

<p><b>GJN 070042</b> SPN Mat. 66 OEK 22 TKP 403 RI 113 Oud/Kalw. 11/9 Gem. Si/Kalf 97/9</p>	 <p><b>GJN 020101</b> SPN Mat. 46 Goud</p>	<p><b>RCO 980082</b> SPN Mat. 64</p> <p><b>GJN 990026</b> SPN Mat. 101 Oud/Kalw. 14/11 Gem. Si/Kalf 106/11</p> <p><b>GJN 000061</b> SPN Mat. 76 Silver</p> <p><b>GJN 990040</b> SPN Mat. 120 Oud/Kalw. 13/10 Gem. Si/Kalf 109/9</p>	<p><b>RCO 920077</b> SPN Mat. 73 <b>RCO N 0203</b> SPN Mat. 106 <b>AG 920282</b> SPN Mat. 114 <b>GJN 950025</b> SPN Mat. 99 <b>HP 960015</b> SPN Mat. 84 <b>HP 970168</b> SPN Mat. 104 <b>AG 920282</b> SPN Mat. 114 <b>DFP N 0019</b> SPN Mat. 93</p>
---	--	---	--


**Lot 48** Dragtig 30 weke van Meerbulparing.

<p><b>GJN 070052</b> SPN Mat. 75 OEK 23 TKP 397 RI 114 Oud/Kalw. 11/9 Gem. Si/Kalf 96/9</p>	 <p><b>HJB 040251</b> SPN Mat. 102</p>	<p><b>AG 980338</b> SPN Mat. 87</p> <p><b>RCO 000153</b> SPN Mat. 89 Oud/Kalw. 14/9 Gem. Si/Kalf 102/8</p> <p><b>GB 920056</b> SPN Mat. 113</p> <p><b>LA 980163</b> SPN Mat. 95 Oud/Kalw. 5/2 Gem. Si/Kalf 111/2</p>	<p><b>AG 930210</b> SPN Mat. 105 <b>AG 920184</b> SPN Mat. 103 <b>RCO 970078</b> SPN Mat. 107 <b>RCO 960008</b> SPN Mat. 77 <b>GB N 0004</b> SPN Mat. 115 <b>GB K 0032</b> SPN Mat. 94 <b>AG 910035</b> SPN Mat. 97 <b>LA 940153</b> SPN Mat. 100</p>
---	--	--	---


**Lot 50** Dragtig 4 weke van Meerbulparing.

<p><b>CRV 110406</b> SPN Mat. 94 OEK 29 TKP 397 RI 110 Oud/Kalw. 7/5 Gem. Si/Kalf 100/5</p>	 <p><b>WBB 060002</b> SPN Mat. 97 Goud</p>	<p><b>LAR 010176</b> SPN Mat. 85</p> <p><b>AG 020103</b> SPN Mat. 106 Oud/Kalw. 10/7 Gem. Si/Kalf 105/6</p> <p><b>EI 980080</b> SPN Mat. 89</p> <p><b>EI 020127</b> SPN Mat. 104 Oud/Kalw. 10/7 Gem. Si/Kalf 102/6</p> <p><b>EI 930158</b> SPN Mat. 134 Oud/Kalw. 10/8 Gem. Si/Kalf 106/8</p>	<p><b>AG 970048</b> SPN Mat. 94 <b>LAR 980262</b> SPN Mat. 94 <b>AG 960184</b> SPN Mat. 114 <b>AG 950083</b> SPN Mat. 93 <b>BG 960125</b> SPN Mat. 102 <b>EI 950140</b> SPN Mat. 102 <b>EI L 0077</b> SPN Mat. 84 <b>EI C 0168</b> SPN Mat. 128</p>
---	--	---	---

**Lot 51** Dragtig 4 weke van Meerbulparing.

<p><b>AG 040201</b> SPN Mat. 83 OEK 36 TKP 372 RI 111 Oud/Kalw. 14/12 Gem. Si/Kalf 97/12</p>	 <p><b>AG 980338</b> SPN Mat. 87</p>	<p><b>AG 930210</b> SPN Mat. 105</p> <p><b>AG 920184</b> SPN Mat. 103 Oud/Kalw. 11/9 Gem. Si/Kalf 103/8</p> <p><b>HJL 960006</b> SPN Mat. 90</p> <p><b>AG 980014</b> SPN Mat. 99 Oud/Kalw. 5/3 Gem. Si/Kalf 107/3</p>	<p><b>AG C 0016</b> SPN Mat. 52 <b>AG X 0072</b> SPN Mat. 138 <b>AG J 0008</b> SPN Mat. 89 <b>AG D 0244</b> SPN Mat. 111 <b>HJL 930042</b> SPN Mat. 103 <b>HJL L 0113</b> SPN Mat. 66 <b>TBR 910704</b> SPN Mat. 77 <b>AG 950293</b> SPN Mat. 91</p>
--	--	---	--

**Lot 52** Dragtig 15 weke van Meerbulparing.

<p><b>OUH 080042</b> SPN Mat. 100 OEK 30 TKP 373 RI 113 Oud/Kalw. 10/8 Gem. Si/Kalf 99/8</p>	 <p><b>TBR 010561</b> SPN Mat. 108</p>	<p><b>TBR 970554</b> SPN Mat. 78</p> <p><b>TBR 950260</b> SPN Mat. 138 Oud/Kalw. 14/12 Gem. Si/Kalf 110/12</p> <p><b>JJF 970095</b> SPN Mat. 90</p> <p><b>MFF 020028</b> SPN Mat. 95 Oud/Kalw. 15/12 Gem. Si/Kalf 103/11</p> <p><b>MFF 920020</b> SPN Mat. 74 Oud/Kalw. 14/11 Gem. Si/Kalf 93/10</p>	<p><b>AG 910140</b> SPN Mat. 70 <b>TBR N 0263</b> SPN Mat. 89 <b>TBR 900765</b> SPN Mat. 112 <b>TBR 920016</b> SPN Mat. 113 <b>JJF 930050</b> SPN Mat. 64 <b>JJF 910028</b> SPN Mat. 114 <b>FHK H 0042</b> SPN Mat. 75 <b>DTL D 0014</b> SPN Mat. 88</p>
--	--	--	--

**FEMALE ANIMALS**

Lot	Seller	ID POLLED Gen	PARENTS		Test	Breeding Value Indexes											R:	Calf ID	Breeder Own Remarks	
			SIRE GV PV	DAM GV PV		Genomic Tested	Birth Dir	Wean Dir	Birth Mat	Wean Mat	Mat Wgt	Post Wean	ADG	FCR	SC	Hgt				Lgt
						Acc	Acc	Acc	Acc	Acc	Acc	Acc	Acc	Acc	Acc	Acc	Acc	Acc	WWR	Sire
				Birth Date		Wgt kg	Wgt kg	Ind	kg	kg	kg	365dM	540d Ind	Ind	Ind	(mm)	(mm)	(mm)		GT / POLLED

**Cows with Calves**

Lot	Seller	ID	PARENTS	Test	91	97	76	110	105	99	92	96	93	96	99	-	BONFPIK 180036	Dragtig 8 weke van Meerbulparing.
54	SCHULTZ BONSMARAS	AVW 070039	RGR 030114	PW540	2.04	12.1	0.86	6.2	15.0	21.3	57	-39	3.9	-1	12	-	10.06.18 (38)	
		A	AVW 040013	27.08.07	84	79	78	82	60	67	56	17	63	64	62	-	BONMWAT 140454	
					37											48.8		

1.10	13.4	-0.23	3.5	10	21.6	93	-47	9.3	2	13
------	------	-------	-----	----	------	----	-----	-----	---	----

