



# MMBS

MACLEAR MULTI-BREED SALE

Simulcast Production Auction

## MACLEAR MULTI BREED SALE



21 August 2020

Klik hier om  
te registreer

Klik hier om  
in te teken

Termes en  
Voorwaardes

# BKB

The Trusted Home of Agriculture  
Die Betroubare Tuiste van Landbou

# Simulcast Production Auction MACLEAR MULTI BREED SALE

## Lot 1



Klik vir video

LOT 1



0671308, ROBERTS FARMING TRUST, P.O. BOX 88, MACLEAR, 5480, (T) 0788357321



Ident. nommer	Geslag	Afdeling	Reg. nommer	Geboorte Datum
FAIRBRIDGE BARNAND	FR 170021	MANLIK SP	0086413713	19-OCT-17
DNS: -				
FAIRBRIDGE FR 170021 - SP 0086413713 - 19-OCT-17	-	4%		
SONDER TWYFEL WV 140016 - SP 0079700639 - 05-MAY-14	1%	-		
CLAWAC CZ 100060 - SP 0072765514 - 30-AUG-10	0%	-		
VAGABOND JA 090002 - SP 0068129444 - 02-FEB-09	2%	-		
OEK 33 RI 98 Oud. / Kalwers	TKP 460 Gem SI/Kalf: 116 / 3 5j.3m. / 3			
FAIRBRIDGE FR 110030 - SP 0073960080 - 14-SEP-11	0%	-		
CHUTE-DEAU SW 010010 - SP 0045339132 - 19-OCT-01	0%	-		
OEK 43 RI 88 Oud. / Kalwers	TKP 405 Gem SI/Kalf: 102 / 2 5j.9m. / 3			
FAIRBRIDGE FR 070002 - SP 0064748338 - 26-MAR-07	2%	-		
CLAWAC CZ 040089 - SP 0049605272 - 03-OCT-04	0%	-		
PENMICK MF 050036 - SP 0061872800 - 16-SEP-05	5%	-		
FOUNTAINVALE CY 010448 - SP 0044770949 - 07-APR-01	14%	-		
MARGAWA FMS 960385 - SP 0037239399 - 16-AUG-96	0%	-		
CHUTE-DEAU SW 960002 - SP 0035017995 - 02-JAN-96	0%	-		
FOUNTAINVALE CY 020547 - SP 0046023990 - 06-APR-02	0%	-		
FAIRBRIDGE FR 040013 - SP 0048829410 - 12-JUL-04	1%	-		

Publikasie Datum 28-JUL-20	KALF GEMAK		MELK	KALFGROEI	ONDERHOUD		GROEI TOETS						VRUGBAARHEID			KOEI WAARDE	GROEI WAARDE	PRODUKSIE WAARDE
	Seleksie W.	80 <sup>69</sup>	112 <sup>42</sup>	112 <sup>64</sup>	91 <sup>15</sup>		92 <sup>25</sup>						100 <sup>37</sup>					
	Geb gew	Geb Mat	Melk	Speen gew	Naspeen	Volw. gewig	GDT	Kleiber	VOV	Lengte	Hoogte	SO	OEK	TKP	***	-	-	
TW Ind	79	107	112	112	103	109	103	100	106	106	108	105	92	93	100 <sup>37</sup>	-	-	
Beraamde TW	2.74 <sup>72</sup>	-48 <sup>44</sup>	4.7 <sup>42</sup>	17.5 <sup>64</sup>	22.3 <sup>44</sup>	22 <sup>15</sup>	51 <sup>15</sup>	35 <sup>15</sup>	-29 <sup>15</sup>	13 <sup>18</sup>	8 <sup>19</sup>	8.3 <sup>19</sup>	-4 <sup>31</sup>	-2.8 <sup>19</sup>				
Metings	45			215 (99)	- (-)	310 (94)	-	-	-	-	-	-	-	-	Semen skenker: Nee Toetse: - Inent: -			
	Opmerkings:																	



The Trusted Home of Agriculture  
Die Betroubare Tuiste van Landbou

# Simulcast Production Auction MACLEAR MULTI BREED SALE

## Lot 2



Klik vir video

LOT 2

0671308, ROBERTS FARMING TRUST, P.O. BOX 88, MACLEAR, 5480, (T)0788357321



Ident. number	Sex	Section	Reg. number	Birth Date																																								
FR 180014	MALE	SP	0087524013	14-SEP-18																																								
<b>FAIRBRIDGE HOFSTAD</b> DNA: U501547 DNA Profile: <input checked="" type="checkbox"/>																																												
<table border="1"> <tr> <td>FAIRBRIDGE FR 180014 - SP 0087524013 - 14-SEP-18</td> <td>-</td> <td>1%</td> </tr> <tr> <td>FAIRBRIDGE FR 130012 - SP 0080942055 - 23-AUG-13</td> <td>3%</td> <td>-</td> </tr> <tr> <td>FAIRBRIDGE FR 080008 - SP 0066860362 - 01-AUG-08</td> <td>2%</td> <td>-</td> </tr> <tr> <td>FAIRBRIDGE FR 130017 - SP 0080942006 - 23-AUG-13</td> <td>0%</td> <td>-</td> </tr> <tr> <td>FAIRBRIDGE FR 040016 - SP 0048829444 - 23-JUL-04</td> <td>2%</td> <td>-</td> </tr> </table>					FAIRBRIDGE FR 180014 - SP 0087524013 - 14-SEP-18	-	1%	FAIRBRIDGE FR 130012 - SP 0080942055 - 23-AUG-13	3%	-	FAIRBRIDGE FR 080008 - SP 0066860362 - 01-AUG-08	2%	-	FAIRBRIDGE FR 130017 - SP 0080942006 - 23-AUG-13	0%	-	FAIRBRIDGE FR 040016 - SP 0048829444 - 23-JUL-04	2%	-																									
FAIRBRIDGE FR 180014 - SP 0087524013 - 14-SEP-18	-	1%																																										
FAIRBRIDGE FR 130012 - SP 0080942055 - 23-AUG-13	3%	-																																										
FAIRBRIDGE FR 080008 - SP 0066860362 - 01-AUG-08	2%	-																																										
FAIRBRIDGE FR 130017 - SP 0080942006 - 23-AUG-13	0%	-																																										
FAIRBRIDGE FR 040016 - SP 0048829444 - 23-JUL-04	2%	-																																										
<table border="1"> <tr> <td>GOODFAULT CJ J 0006 - SP 0017336991 - 24-SEP-88</td> <td>0%</td> <td>-</td> <td>FAIRTHWAITE PLOUGHMAN BPP6 - SP 0010404416 - 14-MAR-79</td> <td>0%</td> </tr> <tr> <td>FAIRBRIDGE FR 130012 - SP 0080942055 - 23-AUG-13</td> <td>3%</td> <td>-</td> <td>TEMPEVALE RI E 0012 - SP 0010568731 - 12-NOV-85</td> <td>11%</td> </tr> <tr> <td>FAIRBRIDGE FR 080008 - SP 0066860362 - 01-AUG-08</td> <td>2%</td> <td>-</td> <td>PENMICK MF 050072 - SP 0061864054 - 27-OCT-05</td> <td>2%</td> </tr> <tr> <td>FAIRBRIDGE FR 130017 - SP 0080942006 - 23-AUG-13</td> <td>0%</td> <td>-</td> <td>FAIRBRIDGE FR 010011 - SP 0044783413 - 19-JUN-01</td> <td>2%</td> </tr> <tr> <td>FAIRBRIDGE FR 040016 - SP 0048829444 - 23-JUL-04</td> <td>2%</td> <td>-</td> <td>WCR PRIME CUT 764PLD 460645 - SP 0047523865 - 01-JAN-95</td> <td>0%</td> </tr> <tr> <td></td> <td></td> <td></td> <td>MS CCR W WIND 1410G PET 815831 - SP 0047523873 - 01-JAN-95</td> <td>0%</td> </tr> <tr> <td></td> <td></td> <td></td> <td>MURRUMBIDGEE ACA 970011 - SP 0038842951 - 08-OCT-97</td> <td>0%</td> </tr> <tr> <td></td> <td></td> <td></td> <td>FAIRBRIDGE FR 930029 - SP 0028867901 - 15-AUG-93</td> <td>0%</td> </tr> </table>					GOODFAULT CJ J 0006 - SP 0017336991 - 24-SEP-88	0%	-	FAIRTHWAITE PLOUGHMAN BPP6 - SP 0010404416 - 14-MAR-79	0%	FAIRBRIDGE FR 130012 - SP 0080942055 - 23-AUG-13	3%	-	TEMPEVALE RI E 0012 - SP 0010568731 - 12-NOV-85	11%	FAIRBRIDGE FR 080008 - SP 0066860362 - 01-AUG-08	2%	-	PENMICK MF 050072 - SP 0061864054 - 27-OCT-05	2%	FAIRBRIDGE FR 130017 - SP 0080942006 - 23-AUG-13	0%	-	FAIRBRIDGE FR 010011 - SP 0044783413 - 19-JUN-01	2%	FAIRBRIDGE FR 040016 - SP 0048829444 - 23-JUL-04	2%	-	WCR PRIME CUT 764PLD 460645 - SP 0047523865 - 01-JAN-95	0%				MS CCR W WIND 1410G PET 815831 - SP 0047523873 - 01-JAN-95	0%				MURRUMBIDGEE ACA 970011 - SP 0038842951 - 08-OCT-97	0%				FAIRBRIDGE FR 930029 - SP 0028867901 - 15-AUG-93	0%
GOODFAULT CJ J 0006 - SP 0017336991 - 24-SEP-88	0%	-	FAIRTHWAITE PLOUGHMAN BPP6 - SP 0010404416 - 14-MAR-79	0%																																								
FAIRBRIDGE FR 130012 - SP 0080942055 - 23-AUG-13	3%	-	TEMPEVALE RI E 0012 - SP 0010568731 - 12-NOV-85	11%																																								
FAIRBRIDGE FR 080008 - SP 0066860362 - 01-AUG-08	2%	-	PENMICK MF 050072 - SP 0061864054 - 27-OCT-05	2%																																								
FAIRBRIDGE FR 130017 - SP 0080942006 - 23-AUG-13	0%	-	FAIRBRIDGE FR 010011 - SP 0044783413 - 19-JUN-01	2%																																								
FAIRBRIDGE FR 040016 - SP 0048829444 - 23-JUL-04	2%	-	WCR PRIME CUT 764PLD 460645 - SP 0047523865 - 01-JAN-95	0%																																								
			MS CCR W WIND 1410G PET 815831 - SP 0047523873 - 01-JAN-95	0%																																								
			MURRUMBIDGEE ACA 970011 - SP 0038842951 - 08-OCT-97	0%																																								
			FAIRBRIDGE FR 930029 - SP 0028867901 - 15-AUG-93	0%																																								
<table border="1"> <tr> <td>AFC 37</td> <td>ICP 358</td> <td></td> <td></td> <td></td> </tr> <tr> <td>RI 104</td> <td>Avg. Wt/Calf: 115 / 2</td> <td></td> <td></td> <td></td> </tr> <tr> <td>Age / Calves</td> <td>6j.0m. / 4</td> <td></td> <td></td> <td></td> </tr> <tr> <td>AFC 25</td> <td>ICP 407</td> <td></td> <td></td> <td></td> </tr> <tr> <td>RI 110</td> <td>Avg. Wt/Calf: 100 / 9</td> <td></td> <td></td> <td></td> </tr> <tr> <td>Age / Calves</td> <td>13j.3m. / 11</td> <td></td> <td></td> <td></td> </tr> </table>					AFC 37	ICP 358				RI 104	Avg. Wt/Calf: 115 / 2				Age / Calves	6j.0m. / 4				AFC 25	ICP 407				RI 110	Avg. Wt/Calf: 100 / 9				Age / Calves	13j.3m. / 11													
AFC 37	ICP 358																																											
RI 104	Avg. Wt/Calf: 115 / 2																																											
Age / Calves	6j.0m. / 4																																											
AFC 25	ICP 407																																											
RI 110	Avg. Wt/Calf: 100 / 9																																											
Age / Calves	13j.3m. / 11																																											

Publication Date 28-JUL-20	CALVING EASE		MILK	CALF GRWTH	MAINTENANCE	GROWTH TEST						FERTILITY			COW VALUE	GROWTH VALUE	PRODUCTION VALUE
	107 <sub>71</sub>	★★★	114 <sub>43</sub>	115 <sub>66</sub>	96 <sub>22</sub>	ADG	Kleiber	FCR	Length	Height	SC	AFC	ICP	113 <sub>32</sub>			
Selection V.	Birth wght	Birth Mat	Milk	Wean wght	Post wean	Mature wght	128	127	123	127	128	123	112	112	130 <sub>42</sub>	129 <sub>39</sub>	129 <sub>41</sub>
BV Ind	-.22 <sub>74</sub>	.46 <sub>46</sub>	5.3 <sub>43</sub>	18.8 <sub>66</sub>	32.5 <sub>50</sub>	17 <sub>22</sub>	170 <sub>54</sub>	99 <sub>54</sub>	-50 <sub>15</sub>	35 <sub>62</sub>	23 <sub>65</sub>	18.1 <sub>64</sub>	-14.7 <sub>37</sub>	-7.2 <sub>26</sub>			
Measurements	37			261 (114)	- (-)	- (-)	134	23.73	-	1355	-	355			Semen donor: No		
Remarks:															Tests: - Vacc. -		



The Trusted Home of Agriculture  
Die Betroubare Tuiste van Landbou

Simulcast Production Auction  
**MACLEAR MULTI BREED SALE**

Lot 3



Klik vir video

LOT 3

0671308, ROBERTS FARMING TRUST, P.O. BOX 88,MACLEAR,5480,(T)0788357321



FAIRBRIDGE FR 180009 MANLIK SP 0087523940 16-AUG-18  
 STUART

DNS: U501543

DNA Profiel:

FAIRBRIDGE FR 180009 - SP -  
 0087523940 - 16-AUG-18 1%

CHUTE-DEAU SW 140015 - SP  
 0080913254 - 22-OCT-14 0%

OUERSKAP GEVERIFIEER  
 DNS: DAM AND SIRE  
 GENOMIES:

FAIRBRIDGE FR 080012 - SP  
 0066860404 - 16-AUG-08 1%

OEK 36 TKP 374  
 RI 109 Gem SI/Kalf: 109 / 5  
 Oud. / Kalwers 11j.2m. / 9



SUMADA DS 090440 - SP  
 0068901065 - 07-JUN-09 0%

CHUTE-DEAU SW 070038 - SP  
 0065498941 - 01-NOV-07 7%

OEK 35 TKP 368  
 RI 110 Gem SI/Kalf: 101 / 9  
 Oud. / Kalwers 10j.11m. / 9

PENMICK MF 050072 - SP  
 0061864054 - 27-OCT-05 2%

FAIRBRIDGE FR 050023 - SP  
 0061608345 - 13-AUG-05 1%

OEK 36 TKP 446  
 RI 96 Gem SI/Kalf: 102 / 6  
 Oud. / Kalwers 10j.4m. / 7

ELOI 4289101316 - SP  
 0033610726 - 17-FEB-89 0%

TAMBARAINE S 040989 - SP  
 0049428667 - 25-DEC-04 7%

CHUTE-DEAU SW 040002 - SP  
 004827190 - 27-AUG-04 0%

CHUTE-DEAU SW 990025 - SP  
 0042538967 - 08-OCT-99 0%

PENMICK MF 980025 - SP  
 0041348467 - 28-NOV-98 0%

SNOWFLAKE TL 970040 - SP  
 0040305989 - 27-OCT-97 0%

FOUNTAINVALE CY 020547 - SP  
 0046023990 - 06-APR-02 0%

FAIRBRIDGE FR 000023 - SP  
 0043909779 - 20-OCT-00 0%

Publikasie Datum 28-JUL-20	KALF GEMAK		MELK	KALFGROEI	ONDERHOUD		GROEI TOETS					VRUGBAARHEID			KOEI WAARDE	GROEI WAARDE	PRODUKSIE WAARDE
	81 <sub>72</sub>	106 <sub>47</sub>	118 <sub>53</sub>	95 <sub>22</sub>	GDT	Kleiber	VOV	Lengte	Hoogte	SO	OEK	TKP	104 <sub>28</sub>				
Seleksie W.																	
	Geb gew	Geb Mat	Melk	Speen gew	Naspeen	Volw. gewig											
TW Ind	79	114	106	118	121	105	116	113	115	121	123	120	110	102	106 <sub>38</sub>	111 <sub>38</sub>	106 <sub>38</sub>
Beraamde TW	2.74 <sub>74</sub>	-.78 <sub>49</sub>	3 <sub>47</sub>	20 <sub>53</sub>	34.9 <sub>51</sub>	18 <sub>22</sub>	112 <sub>50</sub>	66 <sub>50</sub>	-41 <sub>15</sub>	29 <sub>58</sub>	19 <sub>62</sub>	16.4 <sub>60</sub>	-13.9 <sub>34</sub>	-4.8 <sub>22</sub>			
Metings	46			242 (100)	- (-)	- (-)	119	21.28	-	1349	-	361					
Opmerkings:															Semen skenker: Nee Toetse: -		
															Inent. -		



The Trusted Home of Agriculture  
 Die Betroubare Tuiste van Landbou

Simulcast Production Auction  
**MACLEAR MULT BREED SALE**

Lot 4



Klik vir video

LOT 4

0671308, ROBERTS FARMING TRUST, P.O. BOX 88, MACLEAR, 5480, (T)0788357321



FAIRBRIDGE HUEZ	Ident. number	Sex	Section	Reg. number	Birth Date																																																																																										
FAIRBRIDGE HUEZ	FR 170019	MALE	SP	0086413697	23-OCT-17																																																																																										
DNA: -	<table border="1"> <tr> <td>FAIRBRIDGE FR 170019 - SP 0086413697 - 23-OCT-17</td> <td>-</td> <td>1%</td> <td></td> <td></td> <td></td> </tr> <tr> <td>SANDVELD DP 140026 - SP 0079421954 - 09-APR-14</td> <td>-</td> <td>2%</td> <td></td> <td></td> <td></td> </tr> <tr> <td>SANDVELD DP 090024 - SP 0069345312 - 01-SEP-09</td> <td>-</td> <td>1%</td> <td></td> <td></td> <td></td> </tr> <tr> <td>SANDVELD DP 110027 - SP 0073225765 - 20-JUN-11</td> <td>-</td> <td>0%</td> <td></td> <td></td> <td></td> </tr> <tr> <td>FAIRBRIDGE FR 140017 - SP 0081127235 - 29-SEP-14</td> <td>-</td> <td>1%</td> <td></td> <td></td> <td></td> </tr> <tr> <td>FAIRBRIDGE FR 060018 - SP 0063793301 - 03-NOV-06</td> <td>-</td> <td>1%</td> <td></td> <td></td> <td></td> </tr> <tr> <td>CHUTE-DEAU SW 090034 - SP 0069591535 - 22-OCT-09</td> <td>-</td> <td>3%</td> <td></td> <td></td> <td></td> </tr> <tr> <td>CHUTE-DEAU SW 030012 - SP 0047539598 - 05-SEP-03</td> <td>-</td> <td>0%</td> <td></td> <td></td> <td></td> </tr> <tr> <td>CHUTE-DEAU SW 040028 - SP 0049100324 - 05-NOV-04</td> <td>-</td> <td>0%</td> <td></td> <td></td> <td></td> </tr> <tr> <td>ESLAU ESC 050067 - SP 0061039426 - 10-MAY-05</td> <td>-</td> <td>0%</td> <td></td> <td></td> <td></td> </tr> <tr> <td>ESLAU ESC 010065 - SP 0045234499 - 25-SEP-01</td> <td>-</td> <td>0%</td> <td></td> <td></td> <td></td> </tr> <tr> <td>MURRUMBIDGEE ACA 060044 - SP 0062736244 - 02-MAY-06</td> <td>-</td> <td>0%</td> <td></td> <td></td> <td></td> </tr> <tr> <td>ESLAU ESC 040195 - SP 0061039806 - 30-DEC-04</td> <td>-</td> <td>0%</td> <td></td> <td></td> <td></td> </tr> <tr> <td>FOUNTAINVALE CY 020547 - SP 0046023990 - 06-APR-02</td> <td>-</td> <td>0%</td> <td></td> <td></td> <td></td> </tr> <tr> <td>FAIRBRIDGE FR 000013 - SP 0043464163 - 20-JUL-00</td> <td>-</td> <td>0%</td> <td></td> <td></td> <td></td> </tr> </table>					FAIRBRIDGE FR 170019 - SP 0086413697 - 23-OCT-17	-	1%				SANDVELD DP 140026 - SP 0079421954 - 09-APR-14	-	2%				SANDVELD DP 090024 - SP 0069345312 - 01-SEP-09	-	1%				SANDVELD DP 110027 - SP 0073225765 - 20-JUN-11	-	0%				FAIRBRIDGE FR 140017 - SP 0081127235 - 29-SEP-14	-	1%				FAIRBRIDGE FR 060018 - SP 0063793301 - 03-NOV-06	-	1%				CHUTE-DEAU SW 090034 - SP 0069591535 - 22-OCT-09	-	3%				CHUTE-DEAU SW 030012 - SP 0047539598 - 05-SEP-03	-	0%				CHUTE-DEAU SW 040028 - SP 0049100324 - 05-NOV-04	-	0%				ESLAU ESC 050067 - SP 0061039426 - 10-MAY-05	-	0%				ESLAU ESC 010065 - SP 0045234499 - 25-SEP-01	-	0%				MURRUMBIDGEE ACA 060044 - SP 0062736244 - 02-MAY-06	-	0%				ESLAU ESC 040195 - SP 0061039806 - 30-DEC-04	-	0%				FOUNTAINVALE CY 020547 - SP 0046023990 - 06-APR-02	-	0%				FAIRBRIDGE FR 000013 - SP 0043464163 - 20-JUL-00	-	0%			
FAIRBRIDGE FR 170019 - SP 0086413697 - 23-OCT-17	-	1%																																																																																													
SANDVELD DP 140026 - SP 0079421954 - 09-APR-14	-	2%																																																																																													
SANDVELD DP 090024 - SP 0069345312 - 01-SEP-09	-	1%																																																																																													
SANDVELD DP 110027 - SP 0073225765 - 20-JUN-11	-	0%																																																																																													
FAIRBRIDGE FR 140017 - SP 0081127235 - 29-SEP-14	-	1%																																																																																													
FAIRBRIDGE FR 060018 - SP 0063793301 - 03-NOV-06	-	1%																																																																																													
CHUTE-DEAU SW 090034 - SP 0069591535 - 22-OCT-09	-	3%																																																																																													
CHUTE-DEAU SW 030012 - SP 0047539598 - 05-SEP-03	-	0%																																																																																													
CHUTE-DEAU SW 040028 - SP 0049100324 - 05-NOV-04	-	0%																																																																																													
ESLAU ESC 050067 - SP 0061039426 - 10-MAY-05	-	0%																																																																																													
ESLAU ESC 010065 - SP 0045234499 - 25-SEP-01	-	0%																																																																																													
MURRUMBIDGEE ACA 060044 - SP 0062736244 - 02-MAY-06	-	0%																																																																																													
ESLAU ESC 040195 - SP 0061039806 - 30-DEC-04	-	0%																																																																																													
FOUNTAINVALE CY 020547 - SP 0046023990 - 06-APR-02	-	0%																																																																																													
FAIRBRIDGE FR 000013 - SP 0043464163 - 20-JUL-00	-	0%																																																																																													
				AFC 34      ICP 327 RI 117      Avg. Wt/Calf: 98 / 7 Age / Calves      8j,2m. / 7																																																																																											
				AFC 37      ICP 331 RI 105      Avg. Wt/Calf: 131 / 1 Age / Calves      4j,10m. / 3																																																																																											
				AFC 33      ICP 460 RI 96      Avg. Wt/Calf: 103 / 5 Age / Calves      9j,0m. / 6																																																																																											

Publication Date	CALVING EASE		MILK	CALF GRWTH	MAINTENANCE	GROWTH TEST					FERTILITY			COW VALUE	GROWTH VALUE	PRODUCTION VALUE
28-JUL-20	★★★		★★★	★★★★	★★						★★★			★★★	-	-
Selection V.	93 <sub>70</sub>		91 <sub>39</sub>	122 <sub>64</sub>	74 <sub>21</sub>	ADG	Kleiber	FCR	Length	Height	SC	AFC	ICP	105 <sub>39</sub>	-	-
Birth wght	93	94	91	122	114	112	109	113	112	109	114	91	105			
Birth Mat.	.14 <sub>44</sub>		-1.7 <sub>39</sub>	21.9 <sub>64</sub>	30 <sub>49</sub>	93 <sub>20</sub>	56 <sub>20</sub>	-38 <sub>15</sub>	19 <sub>23</sub>	9 <sub>24</sub>	13 <sub>24</sub>	-2 <sub>33</sub>	-5.5 <sub>22</sub>			
Milk																
Wean wght																
Post wean																
Mature wght																
Estimated BV	1.31 <sub>73</sub>															
Measurements	38			282 (131)	- (-)	384 (114)										
Remarks:														Semen donor: No Tests: - Vacc. -		



The Trusted Home of Agriculture  
 Die Betroubare Tuiste van Landbou

# Simulcast Production Auction

## MACLEAR MULTI BREED SALE

### Lot 5



Klik vir video

LOT 5

0671308, ROBERTS FARMING TRUST, P.O. BOX 88, MACLEAR, 5480, (T)0788357321



Ident. nommer	Geslag	Afdeling	Reg. nommer	Geboorte Datum
FAIRBRIDGE FR 170030	MANLIK	SP	0086413788	08-NOV-17
SARZEAU				
DNS: -				
FAIRBRIDGE FR 170030 - SP 0086413788 - 08-NOV-17	-	1%		
SONDER TWYFEL WV 140016 - SP 0079700639 - 05-MAY-14	1%	-		
FAIRBRIDGE FR 070012 - SP 0065559106 - 29-JUN-07	2%	-		
OEK 39 RI 107 Oud. / Kalwers	TKP 372 Gem SI/Kalf: 101 / 8 10j.4m. / 8			
CLAWAC CZ 100060 - SP 0072765514 - 30-AUG-10	0%	-		
VAGABOND JA 090002 - SP 0068129444 - 02-FEB-09	2%	-		
OEK 33 RI 98 Oud. / Kalwers	TKP 460 Gem SI/Kalf: 116 / 3 5j.3m. / 3			
FAIRBRIDGE FR 040005 - SP 0048258156 - 14-MAR-04	1%	-		
FAIRBRIDGE FR 020001 - SP 0046370300 - 20-MAY-02	0%	-		
OEK 26 RI 108 Oud. / Kalwers	TKP 414 Gem SI/Kalf: 100 / 10 13j.6m. / 11			
MAGENTA 4296105603 - SP 0048167639 - 16-JAN-96	0%	-		
CLAWAC CZ 040089 - SP 0049605272 - 03-OCT-04	0%	-		
PENMICK MF 050036 - SP 0061872800 - 16-SEP-05	5%	-		
FOUNTAINVALE CY 010448 - SP 0044770949 - 07-APR-01	14%	-		
MURRUMBIDGEE ACA 970011 - SP 0038842951 - 08-OCT-97	0%	-		
FAIRBRIDGE FR 950033 - SP 0034480483 - 04-JUL-95	1%	-		
FOUNTAINVALE CY 950797 - SP 0034527614 - 31-OCT-95	5%	-		
FAIRBRIDGE FR 950015 - SP 0034688101 - 16-JUL-95	0%	-		

Publikasie Datum	KALF GEMAK	MELK	KALFGROEI	ONDERHOUD	GROEI TOETS						VRUGBAARHEID			KOEI WAARDE	GROEI WAARDE	PRODUKSIE WAARDE
28-JUL-20	☆☆	☆☆☆☆	☆☆☆☆	☆☆☆☆							☆☆☆			☆☆☆	-	-
Seleksie W.	76 <sup>68</sup>	114 <sup>46</sup>	114 <sup>52</sup>	92 <sup>17</sup>	GDT	Kleiber	VOV	Lengte	Hoogte	SO	OEK	TKP	102 <sup>28</sup>	101 <sup>35</sup>	-	-
TW Ind	75	109	114	111	100	98	102	105	104	106	88	106	102	101	-	-
Beraamde TW	3.19 <sup>71</sup>	-55 <sup>46</sup>	5.3 <sup>46</sup>	18.2 <sup>52</sup>	27.5 <sup>40</sup>	21 <sup>17</sup>	40 <sup>15</sup>	30 <sup>15</sup>	-25 <sup>15</sup>	12 <sup>17</sup>	5 <sup>17</sup>	8.7 <sup>17</sup>	3 <sup>32</sup>	-5.8 <sup>21</sup>	-	-
Metings	46		246 (107)	- (-)	348 (107)	-	-	-	-	-	-	-	-	-	-	-
Opmerkings:	-															
	Semen skenker: Nee Toetse: - Inent. -															



The Trusted Home of Agriculture  
Die Betroubare Tuiste van Landbou

Simulcast Production Auction  
**MACLEAR MULTI BREED SALE**

Lot 6



Klik vir video

LOT 6

0671308, ROBERTS FARMING TRUST, P.O. BOX 88,MACLEAR,5480,(T)0788357321



Ident. number	Sex	Section	Reg. number	Birth Date
FR 170015	MALE	SP	0087222204	05-OCT-17
<p>FAIRBRIDGE MENDE</p> <p>DNA: -</p> <p>FAIRBRIDGE FR 170015 - SP - 0087222204 - 05-OCT-17 3%</p>				
<p>SONDER TWYFEL WV 140016 - SP 0079700639 - 05-MAY-14 1%</p> <p>FAIRBRIDGE FR 140007 - SP 0080709041 - 01-SEP-14 8%</p> <p>FAIRBRIDGE FR 040016 - SP 0048829444 - 23-JUL-04 2%</p>				
<p>CLAWAC CZ 100060 - SP 0072765514 - 30-AUG-10 0%</p> <p>VAGABOND JA 090002 - SP 0068129444 - 02-FEB-09 2%</p> <p>FAIRBRIDGE FR 110012 - SP 0073960213 - 19-AUG-11 0%</p> <p>FAIRBRIDGE FR 040016 - SP 0048829444 - 23-JUL-04 2%</p>				
<p>MAGENTA 4296105603 - SP 0048167639 - 16-JAN-96 0%</p> <p>CLAWAC CZ 040089 - SP 0049605272 - 03-OCT-04 0%</p> <p>PENMICK MF 050036 - SP 0061872800 - 16-SEP-05 5%</p> <p>FOUNTAINVALE CY 010448 - SP 0044770949 - 07-APR-01 14%</p> <p>CHUTE-DEAU SW 010010 - SP 0045339132 - 19-OCT-01 0%</p> <p>FAIRBRIDGE FR 020002 - SP 0046370326 - 27-MAY-02 2%</p> <p>MURRUMBIDGEE ACA 970011 - SP 0038842951 - 08-OCT-97 0%</p> <p>FAIRBRIDGE FR 930029 - SP 0028867901 - 15-AUG-93 0%</p>				
<p>AFC 37 ICP 460                      RI 87 Avg. Wt/Calf: 123 / 1                      Age / Calves 3j.1m. / 1</p> <p>AFC 25 ICP 407                      RI 110 Avg. Wt/Calf: 100 / 9                      Age / Calves 13j.3m. / 11</p>				



Publication Date 28-JUL-20	CALVING EASE		MILK	CALF GRWTH	MAINTENANCE	GROWTH TEST							FERTILITY			COW VALUE	GROWTH VALUE	PRODUCTION VALUE
	★☆☆	☆☆☆	★☆☆	★☆☆	☆☆	ADG	Kleiber	FCR	Length	Height	SC	AFC	ICP	★☆☆	83 <sup>24</sup>			
Selection V.	99 <sup>68</sup>		116 <sup>37</sup>	116 <sup>65</sup>	80 <sup>15</sup>													
Birth wght	97	109	116	116	107	120	111	106	112	119	116	116	81	86	117 <sup>36</sup>	-	-	-
Estimated BV	.96 <sup>71</sup>	-.55 <sup>37</sup>	6.1 <sup>37</sup>	19.2 <sup>65</sup>	24.7 <sup>46</sup>	33 <sup>15</sup>	90 <sup>15</sup>	48 <sup>15</sup>	-37 <sup>15</sup>	26 <sup>15</sup>	15 <sup>15</sup>	14.1 <sup>15</sup>	8.2 <sup>30</sup>	-1 <sup>18</sup>				
Measurements	36			266 (123)	- (-)	382 (114)	-	-	-	-	-	-	-	-				
Remarks:															Semen donor: No Tests: - Vacc. -			



The Trusted Home of Agriculture  
 Die Betroubare Tuiste van Landbou

# Simulcast Production Auction MACLEAR MULTI BREED SALE

## Lot 7



Klik vir video

LOT 7

0671308, ROBERTS FARMING TRUST, P.O. BOX 88, MACLEAR, 5480, (T)0788357321



Ident. nommer	Geslag	Afdeling	Reg. nommer	Geboorte Datum
FAIRBRIDGE FR 170026	MANLIK	SP	0086463403	30-OCT-17
<p>DNS: -</p> <p>FAIRBRIDGE FR 170026 - SP - 0086463403 - 30-OCT-17 1%</p> <p>SONDER TWYFEL WV 140016 - SP 0079700639 - 05-MAY-14 1%</p> <p>FAIRBRIDGE FR 130006 - SP 0080942089 - 21-AUG-13 0%</p> <p>FAIRBRIDGE FR 080026 - SP 0067356485 - 16-OCT-08 1%</p> <p>FAIRBRIDGE FR 020002 - SP 0046370326 - 27-MAY-02 2%</p>				
<p>OEK 39 TKP 333 RI 105 Gem SI/Kalf: 103 / 2 Oud. / Kalwers 6j.0m. / 4</p> <p>OEK 35 TKP 427 RI 99 Gem SI/Kalf: 93 / 7 Oud. / Kalwers 9j.11m. / 7</p>				

Publikasie Datum 28-JUL-20	KALF GEMAK		MELK	KALFGROEI	ONDERHOUD		GROEI TOETS					VRUGBAARHEID			KOEI WAARDE	GROEI WAARDE	PRODUKSIE WAARDE
	83 <sup>69</sup>	116 <sup>39</sup>	120 <sup>63</sup>	104 <sup>17</sup>	GDT	Kleiber	VOV	Lengte	Hoogte	SO	OEK	TKP					
TW Ind	84	100	116	120	116	96	114	112	118	114	114	119	89	105	117 <sup>37</sup>	-	-
Beraamde TW	2.31 <sup>72</sup>	-16 <sup>40</sup>	6.2 <sup>39</sup>	21.2 <sup>63</sup>	30.8 <sup>45</sup>	9 <sup>17</sup>	103 <sup>19</sup>	63 <sup>19</sup>	-44 <sup>15</sup>	21 <sup>17</sup>	13 <sup>18</sup>	15.6 <sup>17</sup>	1.8 <sup>30</sup>	-5.7 <sup>20</sup>	Semen skenker: Nee Toetse: - Inent. -		
Metings	47			224 (104)	- (-)	330(102)	-	-	-	-	-	-	-	-			
Opmerkings:																	



The Trusted Home of Agriculture  
Die Betroubare Tuiste van Landbou



Simulcast Production Auction  
**MACLEAR MULTI BREED SALE**

Lot 8



Klik vir video

LOT 8

0671308, ROBERTS FARMING TRUST, P.O. BOX 88, MACLEAR, 5480, (T)0788357321



Ident. number	Sex	Section	Reg. number	Birth Date
FAIRBRIDGE FR 170017	MALE	SP	0086413689	08-OCT-17
ST PAUL				
DNA: -				
FAIRBRIDGE FR 170017 - SP 0086413689 - 08-OCT-17	-	5%		
SONDER TWYFEL WV 140016 - SP 0079700639 - 05-MAY-14	1%	-	CLAWAC CZ 100060 - SP 0072765514 - 30-AUG-10	0%
<b>PARENTAGE VERIFIED</b> DNA: GENOMIC:			VAGABOND JA 090002 - SP 0068129444 - 02-FEB-09	2%
FAIRBRIDGE FR 110018 - SP 0073960288 - 21-AUG-11	1%	-	FAIRBRIDGE FR 080005 - SP 0066860347 - 27-JUL-08	1%
AFC 38 RI 106 Age / Calves	ICP 356 Avg. Wt/Calv: 93 / 5 7j.0m. / 5		AFC 33 RI 98 Age / Calves	ICP 460 Avg. Wt/Calv: 116 / 3 5j.3m. / 3
			AFC 37 RI 109 Age / Calves	ICP 366 Avg. Wt/Calv: 101 / 8 10j.1m. / 8
				MAGENTA 4296105603 - SP 0048167639 - 16-JAN-96
				CLAWAC CZ 040089 - SP 0049605272 - 03-OCT-04
				PENMICK MF 050036 - SP 0061872800 - 16-SEP-05
				FOUNTAINVALE CY 010448 - SP 0044770949 - 07-APR-01
				MARGAWA FMS 960385 - SP 0037239399 - 16-AUG-96
				CHUTE-DEAU SW 960002 - SP 0035017995 - 02-JAN-96
				PENMICK MF 050072 - SP 0061864054 - 27-OCT-05
				FAIRBRIDGE FR 030008 - SP 0047460845 - 01-JUL-03

Publication Date 28-JUL-20	CALVING EASE		MILK	CALF GRWTH	MAINTENANCE	GROWTH TEST					FERTILITY			COW VALUE	GROWTH VALUE	PRODUCTION VALUE	
	84 <sup>69</sup>	★★	103 <sup>45</sup>	★★★	111 <sup>64</sup>	★★★	95 <sup>15</sup>						98 <sup>25</sup>				
Selection V.	Birth wght	Birth Mat.	Milk	Wean wght	Post wean	Mature wght	ADG	Kleiber	FCR	Length	Height	SC	AFC	ICP	★★★	-	-
BV Ind	84	102	103	111	107	105	100	97	101	106	107	103	99	98	★★★	-	-
Estimated BV	2.24 <sup>72</sup>	-.22 <sup>44</sup>	1.9 <sup>45</sup>	16.9 <sup>64</sup>	24.9 <sup>48</sup>	18 <sup>15</sup>	38 <sup>16</sup>	27 <sup>16</sup>	-24 <sup>15</sup>	13 <sup>20</sup>	7 <sup>22</sup>	7.1 <sup>21</sup>	-5.1 <sup>31</sup>	-4 <sup>19</sup>			
Measurements	46			209 (96)	- (-)	329(101)	-	-	-	-	-	-	-	-			
Remarks:															Semen donor: No		
															Tests: -		
															Vacc: -		



The Trusted Home of Agriculture  
 Die Betroubare Tuiste van Landbou

Simulcast Production Auction  
**MACLEAR MULTI BREED SALE**

**Lot 9**



Klik vir video

FAIRBRIDGE FR1765						SP			LOT 9							
<b>ROBERTS DO</b>																
4062535705		FR1765		BULL/ BUL	AGE: 34 Mths		BIRTH DATE: 2017/09/24		RED		Polled					
Dams data				DNA: C18-03956												
AFC:	NO CALVES:	ICP:	DLC:	POMPES		CMS		F94L		NT821						
35	4	375	304													
4061306098 RCM0865 ROECHAMA 0865 DE WET				4061115952 SB05145 SMITH-BRANG SB05145												
4061933067 BBB1379 TRIOB 1379				4061271888 RCM0533 ROECHAMA 0533												
4061167797 RO06453 NEWACE MISS 06453				46372595 V501130 V5 01 130 DIAMANT												
				46864633 RO0278 NEWACE MISS 78 02												
				45230950 TX0174 T-X 01 74												
4061127106 BM0614 BAUMEISTER BM0614				38868048 HA97496 HARMONY 97 496												
4061991214 FR13159 FAIRBRIDGE 13159				39806229 BG9612 OOSTHUYSE 96 12												
4061603635 FR106 FAIRBRIDGE 10 6				4061098430 FR0556 FR0556												
	GL	BW	WW	YW	FW	MCW	MILK	SC	DTC	CWT	EMA	RIB	RUMP	RBY	IMF	VB INDEX
EBV	--	+0.8	+9.0	+15.0	+20.0	--	+2.0	+0.9	--	--	--	--	--	--	--	
ACC		55%	65%	63%	59%		40%	68%								
AVE	-0.4	+1.2	+12	+18	+24	+25	+2	+0.3	-0.8	+14	+0.2	+0.0	+0.0	+0.3	+0.0	



The Trusted Home of Agriculture  
 Die Betroubare Tuiste van Landbou

Simulcast Production Auction  
**MACLEAR MULTI BREED SALE**

Lot 10



Klik vir video

FAIRBRIDGE FR17149						C		LOT 10								
<b>ROBERTS DO</b>																
4062536422		FR17149		BULL/ BUL	AGE: 34 Mths		BIRTH DATE: 2017/10/13		RED		Polled					
Dams data				DNA: C18-04033												
AFC:	NO CALVES:	ICP:	DLC:			POMPES	CMS	F94L	NT821							
	11	419	283													
				27719491 NE92121 RHAUDE 92 121												
				26423095 BG9231 OOSTHUYSE BG 92 31												
4061718565 FR117 FAIRBRIDGE 1107																
				4061289419 FR084 FAIRBRIDGE 084				4061102984 TX0527 T-X 05 27								
				4061098398 FR0552 FR0552												
4061396263 FR06144 FAIRBRIDGE 06 144																
	GL	BW	WW	YW	FW	MCW	MILK	SC	DTC	CWT	EMA	RIB	RUMP	RBY	IMF	VB INDEX
EBV	--	--	+13.0	+18.0	+23.0	--	0	+1.7	-6.6	--	--	--	--	--	--	
ACC			63%	62%	57%		48%	68%	30%							
AVE	-0.4	+1.2	+12	+18	+24	+25	+2	+0.3	-0.8	+14	+0.2	+0.0	+0.0	+0.3	+0.0	



The Trusted Home of Agriculture  
 Die Betroubare Tuiste van Landbou

Simulcast Production Auction  
**MACLEAR MULTI BREED SALE**

Lot 11



Klik vir video

FAIRBRIDGE FR17218								SP				LOT 11				
<b>ROBERTS DO</b>																
4062536828		FR17218		BULL/ BUL		AGE: 33 Mths		BIRTH DATE: 2017/11/06		BLACK		Polled				
Dams data						DNA: C18-04093										
AFC:		NO CALVES:		ICP:		DLC:		POMPES		CMS		F94L		NT821		
36		1				205										
4061400974 LR05117 LE-ROC 05 117								39611520 KB9773 KEEVERSFONTEIN KB9773								
4061635678 LR10800 LE-ROC 10800 CONDUCTOR				4061065793 LR047 LE ROC 04 07				45797784 MV01589 MAIZE VALLEY MV 589				46864807 RO0286 NEWACE MISS 86 02				
4061443495 BM09186 BAUMEISTER BM09186								4061130720 D05927 DELTAQUE D05 927								
4061200267 BM0783 BAUMEISTER BM0783																
4062106093 FR14147 FAIRBRIDGE 14147				4061166807 TX0635 T-X 06 35				47232517 TX034 T-X 03 004				45230497 TX0130 T-X 01 30				
	GL	BW	WW	YW	FW	MCW	MILK	SC	DTC	CWT	EMA	RIB	RUMP	RBY	IMF	VB INDEX
EBV	--	+0.7	+2.0	+9.0	+9.0	--	+2.0	-0.7	+7.7	--	--	--	--	--	--	
ACC		55%	64%	63%	61%		42%	67%	33%							
AVE	-0.4	+1.2	+12	+18	+24	+25	+2	+0.3	-0.8	+14	+0.2	+0.0	+0.0	+0.3	+0.0	



The Trusted Home of Agriculture  
 Die Betroubare Tuiste van Landbou

Simulcast Production Auction  
**MACLEAR MULTI BREED SALE**

Lot 12



Klik vir video

FAIRBRIDGE FR17201						SP		LOT 12								
<b>ROBERTS DO</b>																
4062536760		FR17201		BULL/ BUL	AGE: 33 Mths		BIRTH DATE: 2017/11/05		BLACK		Polled					
Dams data				DNA: C18-04077												
AFC:	NO CALVES:	ICP:	DLC:	POMPES		CMS		F94L		NT821						
41	4	351	296													
				4061115952 SB05145 SMITH-BRANG SB05145												
4061306098 RCM0865 ROECHAMA 0865 DE WET				4061271888 RCM0533 ROECHAMA 0533												
4061933067 BBB1379 TRIOB 1379																
4061167797 RO06453 NEWACE MISS 06453				46372595 V501130 V5 01 130 DIAMANT												
				46864633 RO0278 NEWACE MISS 78 02												
				+700597 BRIGHT SIDE OF BRINKS 78												
4061118337 607L11 BRINKS BRIGHT SIDE 607L11				+715358 MISS BRINKS BIG EASY 607												
4061940260 FR1319 FAIRBRIDGE 1319																
4061800025 FR10245 FAIRBRIDGE 10 245																
	GL	BW	WW	YW	FW	MCW	MILK	SC	DTC	CWT	EMA	RIB	RUMP	RBY	IMF	VB INDEX
EBV	--	+0.4	+6.0	+16.0	+24.0	--	+2.0	-0.1	--	--	--	--	--	--	--	
ACC		52%	63%	61%	58%		37%	65%								
AVE	-0.4	+1.2	+12	+18	+24	+25	+2	+0.3	-0.8	+14	+0.2	+0.0	+0.0	+0.3	+0.0	
Withdrawn																



The Trusted Home of Agriculture  
 Die Betroubare Tuiste van Landbou

Simulcast Production Auction  
**MACLEAR MULTI BREED SALE**

Lot 13



Klik vir video

FAIRBRIDGE FR17102						C		LOT 13								
<b>ROBERTS DO</b>																
4062536042		FR17102		BULL/ BUL	AGE: 34 Mths		BIRTH DATE: 2017/10/04		BLACK		Polled					
Dams data						DNA: C18-03992										
AFC:	NO CALVES:		ICP:	DLC:		POMPES		CMS	F94L		NT821					
	4		375	304												
4061306098 RCM0865 ROECHAMA 0865 DE WET						4061115952 SB05145 SMITH-BRANG SB05145										
4061933067 BBB1379 TRIOB 1379						4061271888 RCM0533 ROECHAMA 0533										
4061167797 RO06453 NEWACE MISS 06453						46372595 V501130 V5 01 130 DIAMANT										
						46864633 RO0278 NEWACE MISS 78 02										
4062302486 FR13503 FAIRBRIDGE 13503																
	GL	BW	WW	YW	FW	MCW	MILK	SC	DTC	CWT	EMA	RIB	RUMP	RBY	IMF	VB INDEX
EBV	--	--	+5.0	+11.0	+17.0	--	--	-1.2	--	--	--	--	--	--	--	
ACC			60%	58%	53%			65%								
AVE	-0.4	+1.2	+12	+18	+24	+25	+2	+0.3	-0.8	+14	+0.2	+0.0	+0.0	+0.3	+0.0	



The Trusted Home of Agriculture  
 Die Betroubare Tuiste van Landbou

Simulcast Production Auction  
**MACLEAR MULTI BREED SALE**

**Lot 14**



Klik vir video

FAIRBRIDGE FR17106								C				LOT 14				
<b>ROBERTS DO</b>																
4062536109		FR17106		BULL/ BUL		AGE: 34 Mths		BIRTH DATE: 2017/10/05		BLACK		Polled				
Dams data				DNA: C18-03995												
AFC:	NO CALVES:	ICP:	DLC:			POMPES		CMS		F94L		NT821				
37	4	366	301													
				4061306098 RCM0865 ROECHAMA 0865 DE WET				4061115952 SB05145 SMITH-BRANG SB05145								
				4061933067 BBB1379 TRIOB 1379				4061271888 RCM0533 ROECHAMA 0533								
				4061167797 RO06453 NEWACE MISS 06453				46372595 V501130 V5 01 130 DIAMANT								
								46864633 RO0278 NEWACE MISS 78 02								
				4061940575 FR1349 FAIRBRIDGE 1349												
				4061395968 FR07317 FARIBRIDGE 07 317												
	GL	BW	WW	YW	FW	MCW	MILK	SC	DTC	CWT	EMA	RIB	RUMP	RBY	IMF	VB INDEX
EBV	--	+0.7	+9.0	+14.0	+22.0	--	+5.0	+0.8	--	--	--	--	--	--	--	
ACC		50%	62%	60%	57%		36%	65%								
AVE	-0.4	+1.2	+12	+18	+24	+25	+2	+0.3	-0.8	+14	+0.2	+0.0	+0.0	+0.3	+0.0	



The Trusted Home of Agriculture  
 Die Betroubare Tuiste van Landbou

Simulcast Production Auction  
**MACLEAR MULTI BREED SALE**

Lot 15



Klik vir video

FAIRBRIDGE FR17123						SP		LOT 15								
<b>ROBERTS DO</b>																
4062535606		FR17123		BULL/ BUL		AGE: 35 Mths		BIRTH DATE: 2017/09/21		RED		Polled				
Dams data						DNA: C18-04010										
AFC:		NO CALVES:		ICP:		DLC:		POMPES		CMS		F94L		NT821		
34		1				251										
4061400974 LR05117 LE-ROC 05 117						39611520 KB9773 KEEVERSFontein KB9773										
4061635678 LR10800 LE-ROC 10800 CONDUCTOR																
4061065793 LR047 LE ROC 04 07						45797784 MV01589 MAIZE VALLEY MV 589										
						46864807 RO0286 NEWACE MISS 86 02										
						39806229 BG9612 OOSTHUYSE 96 12										
4061718565 FR117 FAIRBRIDGE 1107						4061289419 FR084 FAIRBRIDGE 084										
4062106150 FR14169 FAIRBRIDGE 14169																
4061289484 FR0814 FAIRBRIDGE 0814						4061102984 TX0527 T-X 05 27										
						4061098570 FR0570 FR0570										
	GL	BW	WW	YW	FW	MCW	MILK	SC	DTC	CWT	EMA	RIB	RUMP	RBY	IMF	VB INDEX
EBV	--	+3.2	+12.0	+19.0	+24.0	+12.0	0	-0.1	+2.4	--	--	--	--	--	--	
ACC		55%	65%	61%	65%	60%	44%	66%	34%							
AVE	-0.4	+1.2	+12	+18	+24	+25	+2	+0.3	-0.8	+14	+0.2	+0.0	+0.0	+0.3	+0.0	



The Trusted Home of Agriculture  
 Die Betroubare Tuiste van Landbou



Simulcast Production Auction  
**MACLEAR MULTI BREED SALE**

Lot 16



Klik vir video

FAIRBRIDGE FR1772								C				LOT 16				
<b>ROBERTS DO</b>																
4062535531		FR1772		BULL/ BUL		AGE: 35 Mths		BIRTH DATE: 2017/09/20		RED		Polled				
Dams data								DNA: C18-03962								
AFC:		NO CALVES:		ICP:		DLC:		POMPES		CMS		F94L		NT821		
		8		375		300										
4061065959 KB0415 KB0415								45674199 KB011 KEEVERSFontein KB0101								
4061714473 JJR1181 ROSEWALL 11 81								37206703 KB95107 KEEVERSFontein KB95107								
40486243 JJR9818 ROSEWALL 9818								38031712 KB955 KEEVERSFontein KB 955								
								22123582 JJR9013 ROSEWALL 9013								
4061799440 FR09169 FAIRBRIDGE 09 169																
	GL	BW	WW	YW	FW	MCW	MILK	SC	DTC	CWT	EMA	RIB	RUMP	RBY	IMF	VB INDEX
EBV	--	+2.3	+17.0	+23.0	+35.0	--	+5.0	--	-2.9	--	--	--	--	--	--	
ACC		50%	62%	57%	61%		49%		30%							
AVE	-0.4	+1.2	+12	+18	+24	+25	+2	+0.3	-0.8	+14	+0.2	+0.0	+0.0	+0.3	+0.0	



The Trusted Home of Agriculture  
 Die Betroubare Tuiste van Landbou

Simulcast Production Auction  
**MACLEAR MULTI BREED SALE**

Lot 17



Klik vir video

FAIRBRIDGE FR1710								C				LOT 17																																																																							
<b>ROBERTS DO</b>																																																																																			
4062534971		FR1710		BULL/ BUL		AGE: 36 Mths		BIRTH DATE: 2017/07/24		RED		Polled																																																																							
Dams data								DNA: C18-04189																																																																											
AFC:		NO CALVES:		ICP:		DLC:		POMPES		CMS		F94L		NT821																																																																					
		3		398		308																																																																													
4061798609 FR1219 FAIRBRIDGE 1219								4061249165 MV07616 MAIZE-VALLEY MV07616																																																																											
4062105780 FR14161 FAIRBRIDGE 14161								4061438735 FR095 FAIRBRIDGE 09 5																																																																											
4061719274 FR11106 FAIRBRIDGE 11106								4061177960 FR062 FAIRBRIDGE 062																																																																											
								4061178471 FR0649 FAIRBRIDGE 0649																																																																											
4062454865 FR14499 FAIRBRIDGE 14499																																																																																			
<table border="1"> <thead> <tr> <th></th> <th>GL</th> <th>BW</th> <th>WW</th> <th>YW</th> <th>FW</th> <th>MCW</th> <th>MILK</th> <th>SC</th> <th>DTC</th> <th>CWT</th> <th>EMA</th> <th>RIB</th> <th>RUMP</th> <th>RBY</th> <th>IMF</th> <th>VB INDEX</th> </tr> </thead> <tbody> <tr> <td>EBV</td> <td>--</td> <td>--</td> <td>+8.0</td> <td>+15.0</td> <td>+17.0</td> <td>--</td> <td>--</td> <td>+0.8</td> <td>--</td> <td>--</td> <td>--</td> <td>--</td> <td>--</td> <td>--</td> <td>--</td> <td></td> </tr> <tr> <td>ACC</td> <td></td> <td></td> <td>50%</td> <td>46%</td> <td>53%</td> <td></td> <td></td> <td>61%</td> <td></td> <td></td> <td></td> <td></td> <td></td> <td></td> <td></td> <td></td> </tr> <tr> <td>AVE</td> <td>-0.4</td> <td>+1.2</td> <td>+12</td> <td>+18</td> <td>+24</td> <td>+25</td> <td>+2</td> <td>+0.3</td> <td>-0.8</td> <td>+14</td> <td>+0.2</td> <td>+0.0</td> <td>+0.0</td> <td>+0.3</td> <td>+0.0</td> <td></td> </tr> </tbody> </table>																	GL	BW	WW	YW	FW	MCW	MILK	SC	DTC	CWT	EMA	RIB	RUMP	RBY	IMF	VB INDEX	EBV	--	--	+8.0	+15.0	+17.0	--	--	+0.8	--	--	--	--	--	--	--		ACC			50%	46%	53%			61%									AVE	-0.4	+1.2	+12	+18	+24	+25	+2	+0.3	-0.8	+14	+0.2	+0.0	+0.0	+0.3	+0.0	
	GL	BW	WW	YW	FW	MCW	MILK	SC	DTC	CWT	EMA	RIB	RUMP	RBY	IMF	VB INDEX																																																																			
EBV	--	--	+8.0	+15.0	+17.0	--	--	+0.8	--	--	--	--	--	--	--																																																																				
ACC			50%	46%	53%			61%																																																																											
AVE	-0.4	+1.2	+12	+18	+24	+25	+2	+0.3	-0.8	+14	+0.2	+0.0	+0.0	+0.3	+0.0																																																																				



The Trusted Home of Agriculture  
 Die Betroubare Tuiste van Landbou

Simulcast Production Auction  
**MACLEAR MULTI BREED SALE**

**Lot 18**



Klik vir video

FAIRBRIDGE FR1727						SP		LOT 18								
<b>ROBERTS DO</b>																
4062535150		FR1727		BULL/ BUL	AGE: 35 Mths		BIRTH DATE: 2017/09/08		RED		Polled					
Dams data				DNA: C18-03924												
AFC:	NO CALVES:	ICP:	DLC:	POMPES		CMS		F94L		NT821						
36	7	388	315													
				39806229 BG9612 OOSTHUYSE 96 12												
4061718565 FR117 FAIRBRIDGE 1107				4061289419 FR084 FAIRBRIDGE 084												
4061991503 FR13192 FAIRBRIDGE 13192																
4061672465 FR08159 FAIRBRIDGE 08 159																
				27719491 NE92121 RHAUDE 92 121												
39806229 BG9612 OOSTHUYSE 96 12				26423095 BG9231 OOSTHUYSE BG 92 31												
4061478269 FR108 FAIRBRIDGE FR 10 8																
4061112819 TX0556 T-X 05 56				46411534 TX0213 T-X 02 13 TANK												
				44397214 TX0068 T-X 00 68												
	GL	BW	WW	YW	FW	MCW	MILK	SC	DTC	CWT	EMA	RIB	RUMP	RBY	IMF	VB INDEX
EBV	--	+1.6	+17.0	+27.0	+30.0	--	+1.0	--	--	--	--	--	--	--	--	
ACC		52%	64%	64%	61%		45%									
AVE	-0.4	+1.2	+12	+18	+24	+25	+2	+0.3	-0.8	+14	+0.2	+0.0	+0.0	+0.3	+0.0	



The Trusted Home of Agriculture  
 Die Betroubare Tuiste van Landbou

Simulcast Production Auction  
**MACLEAR MULTI BREED SALE**

Lot 19



Klik vir video

FAIRBRIDGE FR17100						C		LOT 19								
<b>ROBERTS DO</b>																
4062536349		FR17100		BULL/ BUL	AGE: 34 Mths		BIRTH DATE: 2017/10/11		RED		Polled					
Dams data				DNA: C18-03990												
AFC:	NO CALVES:	ICP:	DLC:	POMPES		CMS		F94L		NT821						
	4	503	199													
39806229 BG9612 OOSTHUYSE 96 12						27719491 NE92121 RHAUDE 92 121										
4061718565 FR117 FAIRBRIDGE 1107						26423095 BG9231 OOSTHUYSE BG 92 31										
4061289419 FR084 FAIRBRIDGE 084						4061102984 TX0527 T-X 05 27										
						4061098398 FR0552 FR0552										
4062063278 FR11217 FAIRBRIDGE 11217																
	GL	BW	WW	YW	FW	MCW	MILK	SC	DTC	CWT	EMA	RIB	RUMP	RBY	IMF	VB INDEX
EBV	--	--	+11.0	+12.0	+15.0	--	-1	+1.0	-6.1	--	--	--	--	--	--	
ACC			61%	60%	56%		45%	67%	30%							
AVE	-0.4	+1.2	+12	+18	+24	+25	+2	+0.3	-0.8	+14	+0.2	+0.0	+0.0	+0.3	+0.0	



The Trusted Home of Agriculture  
 Die Betroubare Tuiste van Landbou

Simulcast Production Auction  
**MACLEAR MULTI BREED SALE**

Lot 20



Klik vir video

FAIRBRIDGE FR17220						COMMERCIAL				LOT 20						
<b>ROBERTS DO</b>																
4062537099		FR17220		BULL/ BUL		AGE: 33 Mths		BIRTH DATE: 2017/11/15		RED		Polled				
Dams data						DNA: C18-04095										
AFC:	NO CALVES:	ICP:	DLC:			POMPES	CMS	F94L	NT821							
FR14MULT4 FR14MULT4																
4062246055 FR15113 FAIRBRIDGE 15113																
4062063229 FR11377 FAIRBRIDGE 11377																
	GL	BW	WW	YW	FW	MCW	MILK	SC	DTC	CWT	EMA	RIB	RUMP	RBY	IMF	VB INDEX
EBV	--	--	+12.0	+16.0	+22.0	--	--	+0.1	--	--	--	--	--	--	--	
ACC			42%	51%	44%			59%								
AVE	-0.4	+1.2	+12	+18	+24	+25	+2	+0.3	-0.8	+14	+0.2	+0.0	+0.0	+0.3	+0.0	



The Trusted Home of Agriculture  
 Die Betroubare Tuiste van Landbou

Simulcast Production Auction  
**MACLEAR MULTI BREED SALE**

Lot 21



Klik vir video

FAIRBRIDGE FR17104						C		LOT 21								
<b>ROBERTS DO</b>																
4062536091		FR17104		BULL/ BUL		AGE: 34 Mths		BIRTH DATE: 2017/10/05		RED		Polled				
Dams data						DNA: C18-03994										
AFC:		NO CALVES:		ICP:		DLC:		POMPES		CMS		F94L		NT821		
38		7		366		305										
M12MULT1 M12MULT1																
4061912392 M12388 MONTANE 12388																
4061130027 WBF0510 WHYTE BANK 05 010						44574515 TX019 T-X 01 9										
46864716 TX0243 T-X 02 43																
4061025136 VL0371 LABOR VL 03 71																
4061209391 D+D0727 DONIAN 0727						4061201968 D+D03126 DONIAN 03126										
4061627105 FR1033 FAIRBRIDGE 10 33																
4061396283 FR06144 FAIRBRIDGE 06 144																
	GL	BW	WW	YW	FW	MCW	MILK	SC	DTC	CWT	EMA	RIB	RUMP	RBY	IMF	VB INDEX
EBV	--	--	+17.0	+24.0	+32.0	--	+3.0	-0.5	--	--	--	--	--	--	--	
ACC			56%	60%	56%		40%	65%								
AVE	-0.4	+1.2	+12	+18	+24	+25	+2	+0.3	-0.8	+14	+0.2	+0.0	+0.0	+0.3	+0.0	



The Trusted Home of Agriculture  
 Die Betroubare Tuiste van Landbou

Simulcast Production Auction  
**MACLEAR MULTI BREED SALE**

Lot 22



Klik vir video

FAIRBRIDGE FR17199								SP				LOT 22				
<b>ROBERTS DO</b>																
4062537016		FR17199		BULL/ BUL		AGE: 33 Mths		BIRTH DATE: 2017/11/11		RED		Polled				
Dams data						DNA: C18-04075										
AFC:		NO CALVES:		ICP:		DLC:		POMPES		CMS		F94L		NT821		
39		5		370		307										
39806229 BG9612 OOSTHUYSE 96 12								27719491 NE92121 RHAUDE 92 121								
4061718565 FR117 FAIRBRIDGE 1107								26423095 BG9231 OOSTHUYSE BG 92 31								
4061289419 FR084 FAIRBRIDGE 084								4061102984 TX0527 T-X 05 27								
								4061098398 FR0552 FR0552								
4061249165 MV07616 MAIZE-VALLEY MV07616								46907671 MV02804 MAIZE VALLEY 804 KLEIN WISKEY								
4061798617 FR1220 FAIRBRIDGE 1220								45233616 MV01519 MAIZE VALLEY MV 519								
4061439261 FR0970 FAIRBRIDGE 09 70								4061102984 TX0527 T-X 05 27								
								4061098570 FR0570 FR0570								
	GL	BW	WW	YW	FW	MCW	MILK	SC	DTC	CWT	EMA	RIB	RUMP	RBY	IMF	VB INDEX
EBV	--	+0.5	+7.0	+8.0	+7.0	--	-2	+0.6	-9.4	--	--	--	--	--	--	
ACC		52%	65%	64%	62%		50%	66%	35%							
AVE	-0.4	+1.2	+12	+18	+24	+25	+2	+0.3	-0.8	+14	+0.2	+0.0	+0.0	+0.3	+0.0	



The Trusted Home of Agriculture  
 Die Betroubare Tuiste van Landbou

Simulcast Production Auction  
**MACLEAR MULTI BREED SALE**

**Lot 23**



Klik vir video

FAIRBRIDGE FR17164						C		LOT 23								
<b>ROBERTS DO</b>																
4062536539		FR17164		BULL/ BUL	AGE: 34 Mths		BIRTH DATE: 2017/10/19		RED		Polled					
Dams data				DNA: C18-04042												
AFC:	NO CALVES:	ICP:	DLC:	POMPES		CMS		F94L		NT821						
34	4	375	293													
4061306098 RCM0865 ROECHAMA 0865 DE WET				4061115952 SB05145 SMITH-BRANG SB05145												
4061933067 BBB1379 TRIOB 1379				4061271888 RCM0533 ROECHAMA 0533												
4061167797 RO06453 NEWACE MISS 06453				46372595 V501130 V5 01 130 DIAMANT												
				46864633 RO0278 NEWACE MISS 78 02												
4061249165 MV07616 MAIZE-VALLEY MV07616				46907671 MV02804 MAIZE VALLEY 804 KLEIN WISKEY												
4062015294 FR13235 FAIRBRIDGE 13235				45233616 MV01519 MAIZE VALLEY MV 519												
	GL	BW	WW	YW	FW	MCW	MILK	SC	DTC	CWT	EMA	RIB	RUMP	RBY	IMF	VB INDEX
EBV	--	+0.3	+7.0	+18.0	+21.0	--	+3.0	-0.2	--	--	--	--	--	--	--	
ACC		52%	63%	62%	58%		37%	67%								
AVE	-0.4	+1.2	+12	+18	+24	+25	+2	+0.3	-0.8	+14	+0.2	+0.0	+0.0	+0.3	+0.0	

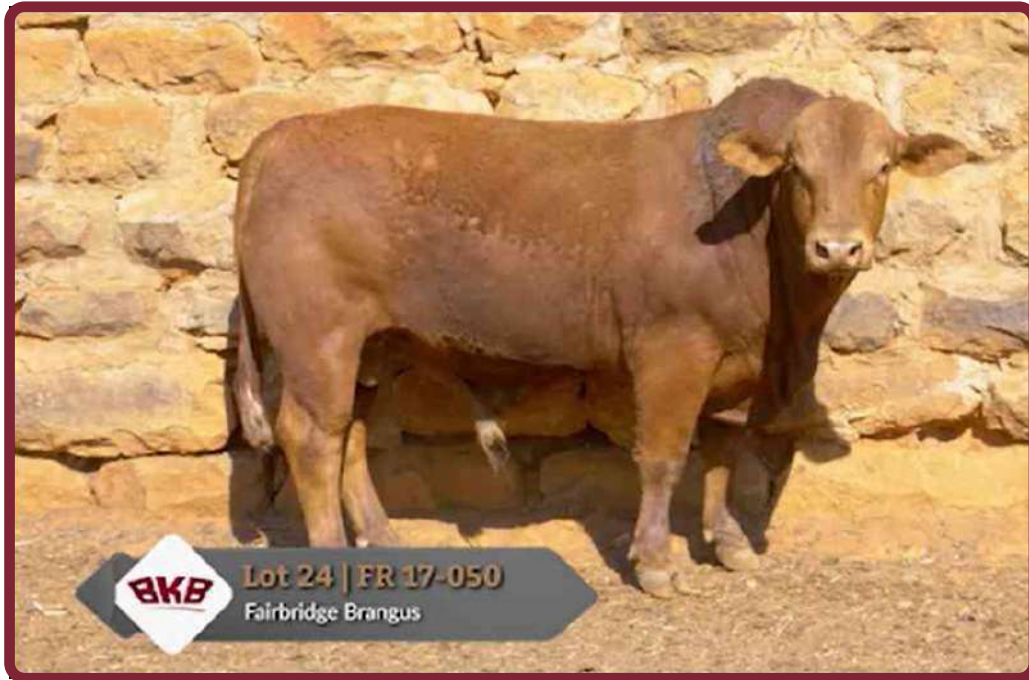


The Trusted Home of Agriculture  
 Die Betroubare Tuiste van Landbou



Simulcast Production Auction  
**MACLEAR MULTI BREED SALE**

**Lot 24**



Klik vir video

FAIRBRIDGE FR1750						C		LOT 24								
<b>ROBERTS DO</b>																
4062535184		FR1750		BULL/ BUL		AGE: 35 Mths		BIRTH DATE: 2017/09/08		RED		Polled				
Dams data						DNA: C18-03944										
AFC:		NO CALVES:		ICP:		DLC:		POMPES		CMS		F94L		NT821		
		8		431		305										
4061127106 BM0614 BAUMEISTER BM0614						45230950 TX0174 T-X 01 74										
4061991529 FR13194 FAIRBRIDGE 13194						38868048 HA97496 HARMONY 97 496										
4061438727 FR094 FAIRBRIDGE 09 4						44574515 TX019 T-X 01 9										
						4061178117 FR0617 FAIRBRIDGE 0617										
4061672275 FR08296 FAIRBRIDGE 08 296																
	GL	BW	WW	YW	FW	MCW	MILK	SC	DTC	CWT	EMA	RIB	RUMP	RBY	IMF	VB INDEX
EBV	--	--	+19.0	+25.0	+37.0	--	+3.0	+1.3	--	--	--	--	--	--	--	
ACC			60%	59%	55%		40%	66%								
AVE	-0.4	+1.2	+12	+18	+24	+25	+2	+0.3	-0.8	+14	+0.2	+0.0	+0.0	+0.3	+0.0	



The Trusted Home of Agriculture  
 Die Betroubare Tuiste van Landbou

Simulcast Production Auction  
**MACLEAR MULTI BREED SALE**

**Lot 25**



Klik vir video

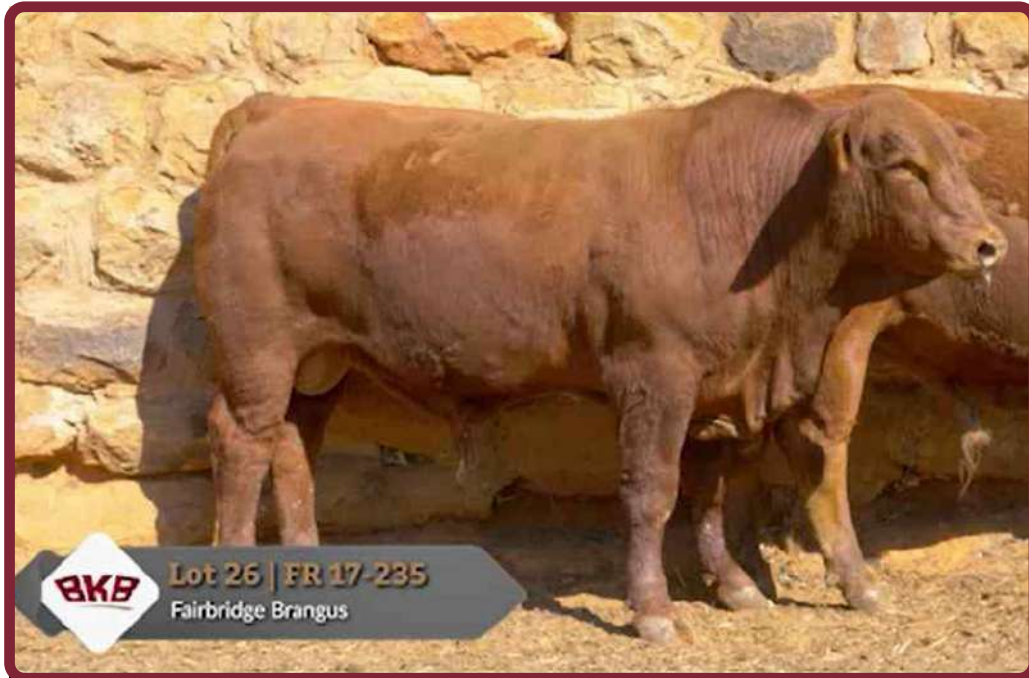
FAIRBRIDGE FR171						C		LOT 25								
<b>ROBERTS DO</b>																
4062534898		FR171		BULL/ BUL		AGE: 37 Mths		BIRTH DATE: 2017/07/01		RED		Polled				
Dams data						DNA: C18-04181										
AFC:		NO CALVES:		ICP:		DLC:		POMPES		CMS		F94L		NT821		
		3		410		307										
						4061400974 LR05117 LE-ROC 05 117										
4061635678 LR10800 LE-ROC 10800 CONDUCTOR						4061065793 LR047 LE ROC 04 07										
4062104577 FR1424 FAIRBRIDGE 1424																
4061718524 FR113 FAIRBRIDGE 1103						39806229 BG9612 OOSTHUYSE 96 12										
						4061289995 FR0873 FAIRBRIDGE 0873										
4062454808 FR14373 FAIRBRIDGE 14373																
	GL	BW	WW	YW	FW	MCW	MILK	SC	DTC	CWT	EMA	RIB	RUMP	RBY	IMF	VB INDEX
EBV	--	--	+20.0	+27.0	+33.0	--	--	--	--	--	--	--	--	--	--	
ACC			50%	46%	52%											
AVE	-0.4	+1.2	+12	+18	+24	+25	+2	+0.3	-0.8	+14	+0.2	+0.0	+0.0	+0.3	+0.0	



The Trusted Home of Agriculture  
 Die Betroubare Tuiste van Landbou

Simulcast Production Auction  
**MACLEAR MULTI BREED SALE**

Lot 26



Klik vir video

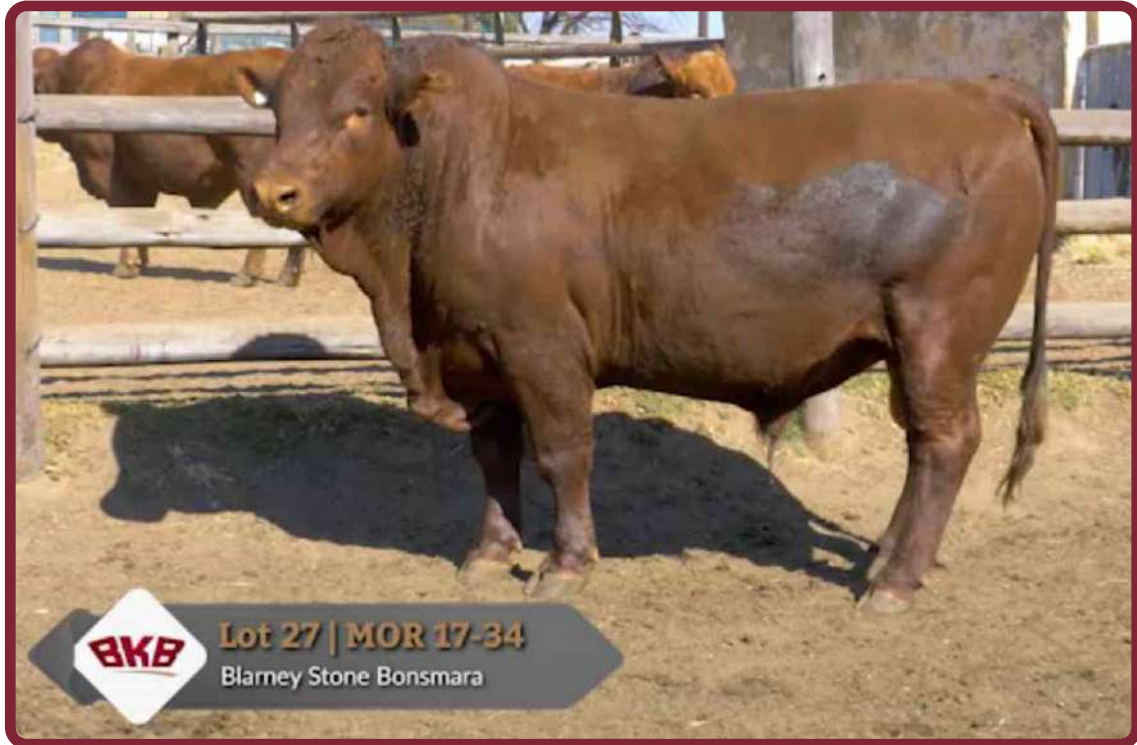
FAIRBRIDGE FR17235								SP				LOT 26				
<b>ROBERTS DO</b>																
4062537263		FR17235		BULL/ BUL		AGE: 32 Mths		BIRTH DATE: 2017/12/02		RED		Polled				
Dams data						DNA: C18-04107										
AFC:		NO CALVES:		ICP:		DLC:		POMPES		CMS		F94L		NT821		
37		3		401		179										
39806229 BG9612 OOSTHUYSE 96 12								27719491 NE92121 RHAUDE 92 121								
4061718565 FR117 FAIRBRIDGE 1107								26423095 BG9231 OOSTHUYSE BG 92 31								
4061289419 FR084 FAIRBRIDGE 084								4061102984 TX0527 T-X 05 27								
								4061098398 FR0552 FR0552								
4061438974 FR0944 FAIRBRIDGE 09 44								4061061461 FR0435 FR0435								
								42822676 FR9916 FAIRBRIDGE 9916								
4061800207 FR1278 FAIRBRIDGE 1278																
4061799417 FR09344 FAIRBRIDGE 09 344																
	GL	BW	WW	YW	FW	MCW	MILK	SC	DTC	CWT	EMA	RIB	RUMP	RBY	IMF	VB INDEX
EBV	--	--	+8.0	+8.0	+9.0	--	-2	+1.3	-5.2	--	--	--	--	--	--	
ACC			58%	61%	59%		44%	64%	31%							
AVE	-0.4	+1.2	+12	+18	+24	+25	+2	+0.3	-0.8	+14	+0.2	+0.0	+0.0	+0.3	+0.0	



The Trusted Home of Agriculture  
 Die Betroubare Tuiste van Landbou

Simulcast Production Auction  
**MACLEAR MULTI BREED SALE**

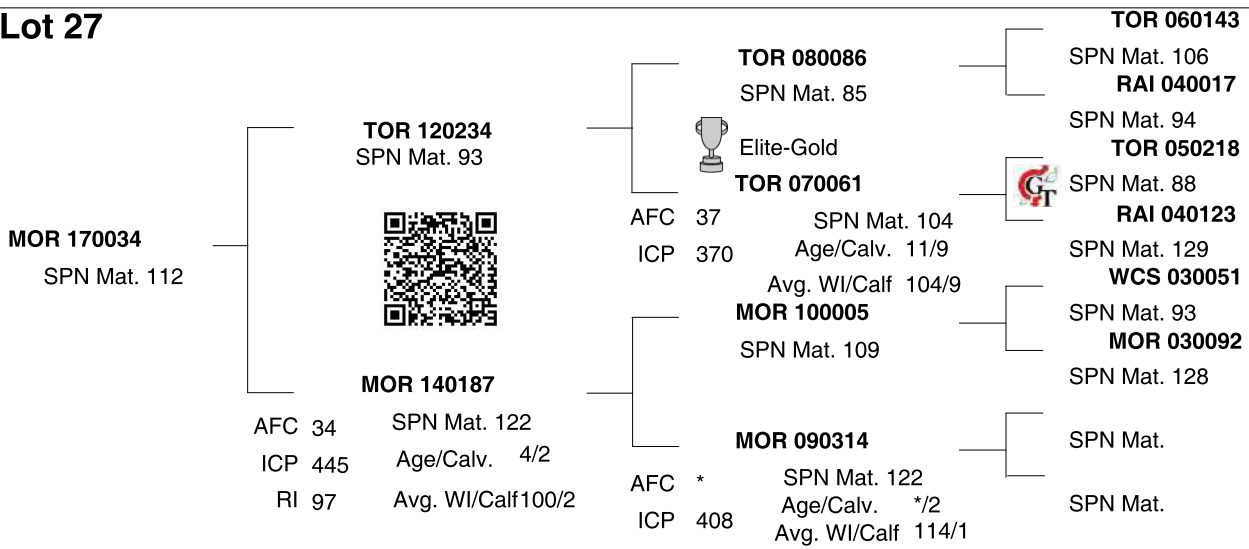
Lot 27



**Lot 27 | MOR 17-34**  
 Blarney Stone Bonsmara

[Klik vir video](#)

**Lot 27**



The Trusted Home of Agriculture  
 Die Betroubare Tuiste van Landbou

Simulcast Production Auction  
**MACLEAR MULTI BREED SALE**

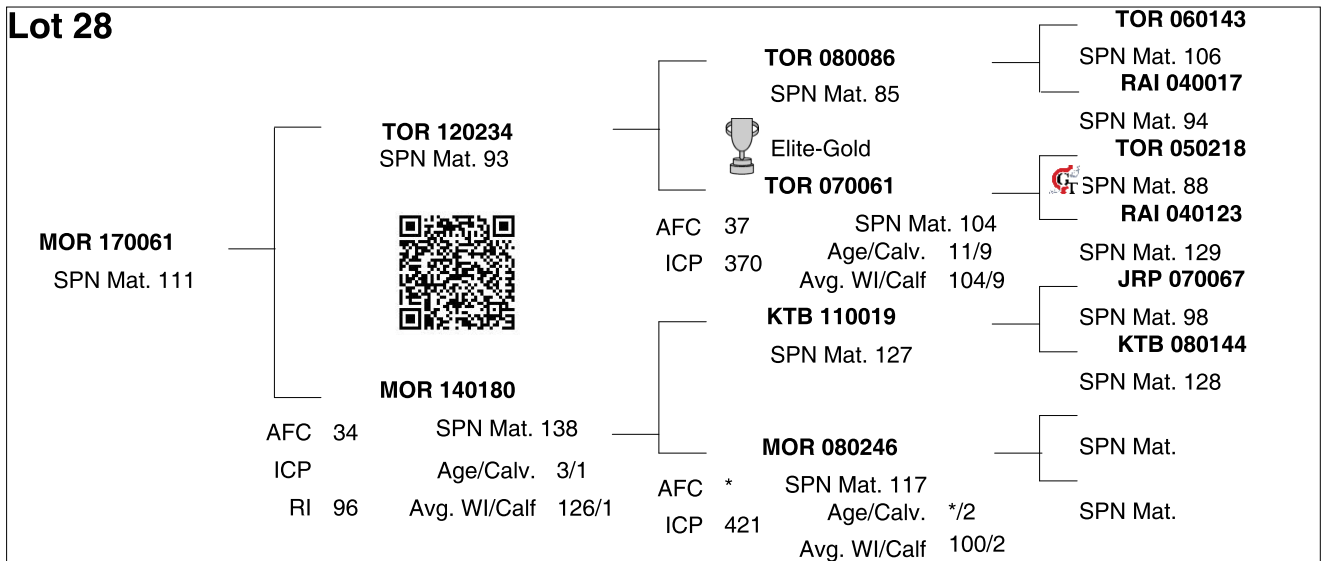
**Lot 28**



**Lot 28 | MOR 17-61**  
 Blarney Stone Bonsmara

[Klik vir video](#)

**Lot 28**



The Trusted Home of Agriculture  
 Die Betroubare Tuiste van Landbou

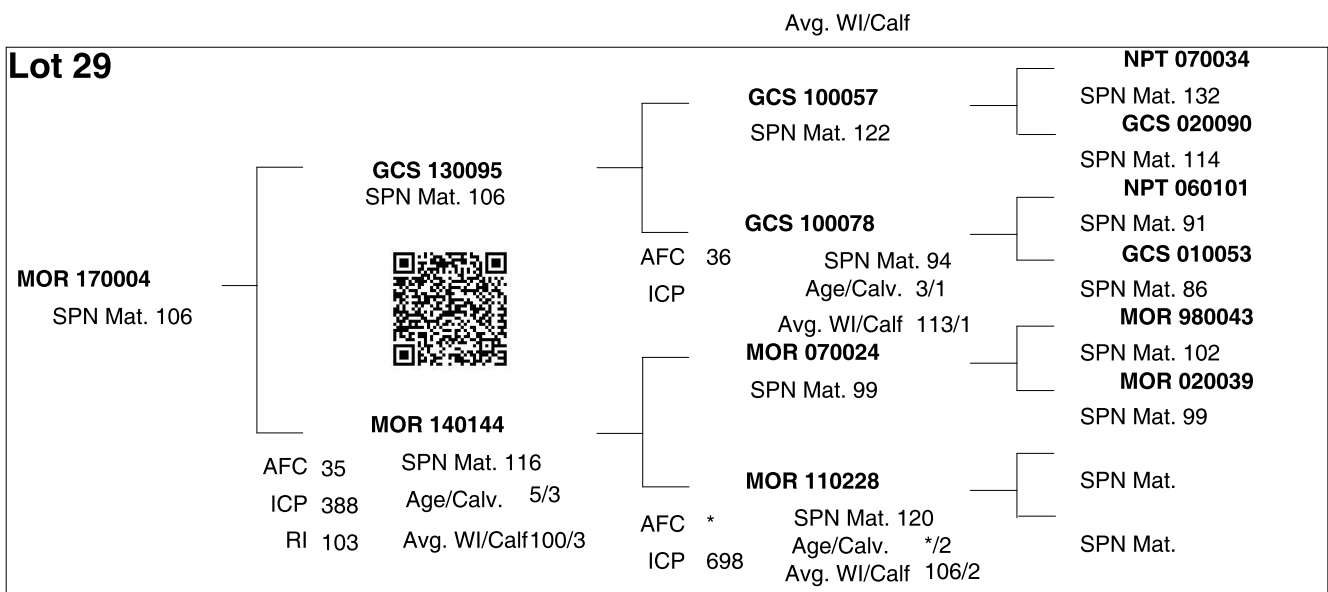
Simulcast Production Auction  
**MACLEAR MULTI BREED SALE**

**Lot 29**



**Lot 29 | MOR 17-04**  
 Blarney Stone Bonsmara

[Klik vir video](#)



The Trusted Home of Agriculture  
 Die Betroubare Tuiste van Landbou

Simulcast Production Auction  
**MACLEAR MULTI BREED SALE**

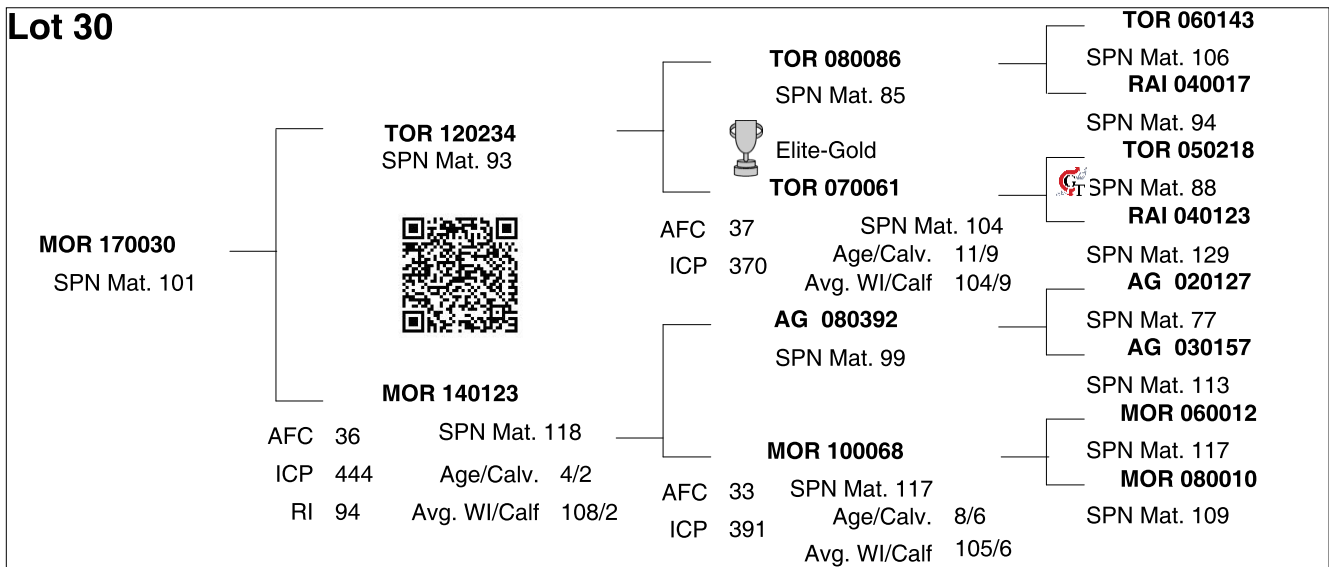
**Lot 30**



**Lot 30 | MOR 17-30**  
 Blarney Stone Bonsmara

[Klik vir video](#)

**Lot 30**



The Trusted Home of Agriculture  
 Die Betroubare Tuiste van Landbou

Simulcast Production Auction  
**MACLEAR MULTI BREED SALE**

**Lot 31**



**Lot 31 | MOR 17-41**

Blarney Stone Bonsmara

Klik vir video

**Lot 31**

Twin with Lot 32 - MOR 170040.

**MOR 170041**  
SPN Mat. 98

**GCS 130095**  
SPN Mat. 106



**MOR 140018**

AFC 37    SPN Mat. 95  
 ICP 416    Age/Calv. 5/3  
 RI 96    Avg. WI/Calf 103/3

**GCS 100057**  
SPN Mat. 122

**GCS 100078**  
AFC 36    SPN Mat. 94  
 ICP    Age/Calv. 3/1  
 Avg. WI/Calf 113/1

**BHE 040085**  
SPN Mat. 89

**MOR 090262**  
AFC \*    SPN Mat. 99  
 ICP    Age/Calv. \*/1  
 Avg. WI/Calf 100/1

**NPT 070034**

SPN Mat. 132  
**GCS 020090**

SPN Mat. 114  
**NPT 060101**

SPN Mat. 91  
**GCS 010053**

SPN Mat. 86  
**BHE 980087**

SPN Mat. 74  
**BHE 010106**

SPN Mat. 100

SPN Mat.

SPN Mat.



The Trusted Home of Agriculture  
 Die Betroubare Tuiste van Landbou

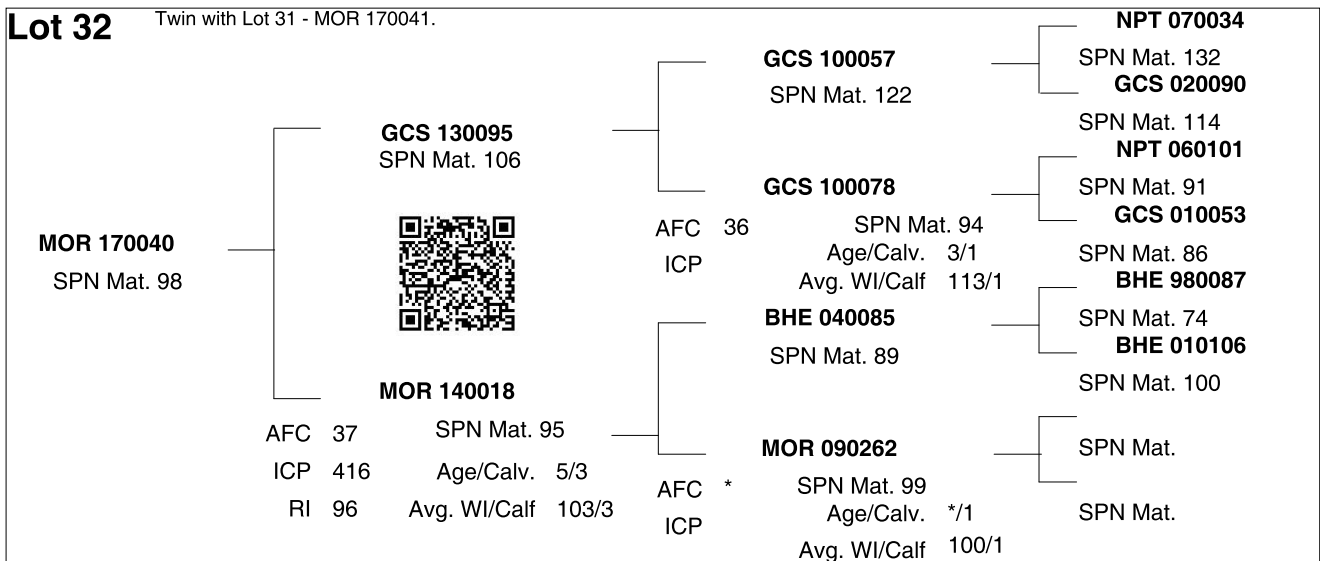


Simulcast Production Auction  
**MACLEAR MULTI BREED SALE**

**Lot 32**



Klik vir video



The Trusted Home of Agriculture  
 Die Betroubare Tuiste van Landbou

Simulcast Production Auction  
**MACLEAR MULTI BREED SALE**

**Lot 33**



Klik vir video

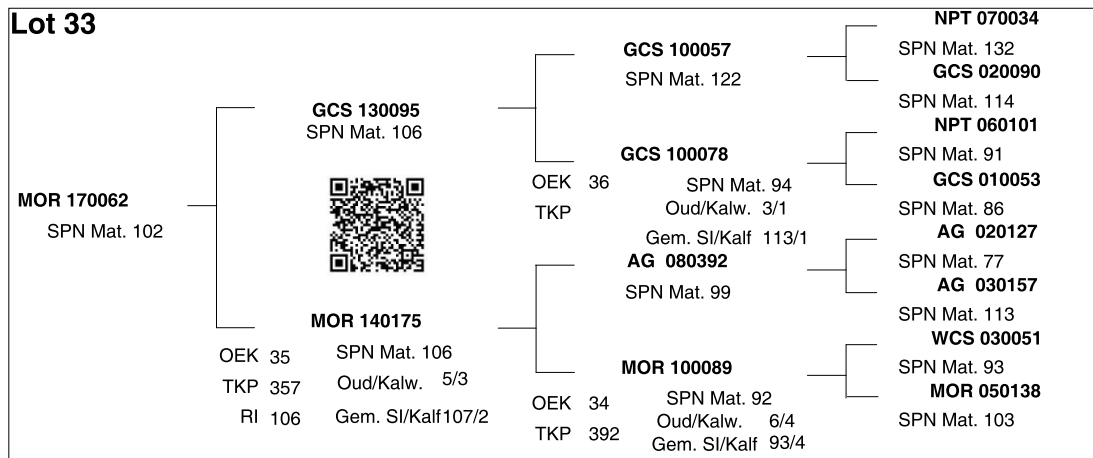


**BONSMARA BEESTELERSGENOOTSKAP VAN SA**  
 Saamgestel deur die Suid-Afrikaanse Stamboek- en Veeverbeteringsvereniging  
 Stamboom- en Prestasiedata korrek gesertifiseer

Lot	Verkoper	ID	OUERS		Toets	Teelwaarde indekse											LHV	GGV	SGV	Semen Gebruikers	Gebruiker Eie Opmerkings	
			VADER	OV		Geb Dir	Speen Dir	Geb Mat	Speen Mat	Volw Gew	Naspeen	GDT	VOV	SO	Hgt	Lgt						
			MOEDER	OV	DNS	Akk	Akk	Akk	Akk	Akk	36sd	540d	Ind	Ind	(mm)	(mm)	(mm)					
			Gen	GV	Geb. dat.	Gew kg	Gew kg	Ind	kg	kg	kg	Ind	Ind	Ind	Ind	(mm)	(mm)	(mm)				

**BULLE**

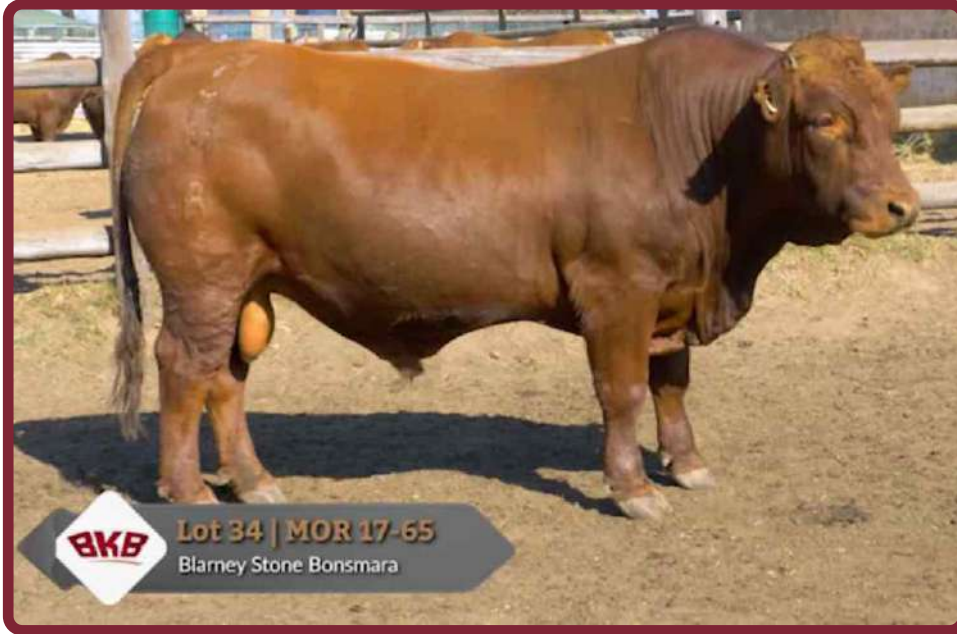
33	MOORE FARMING TRUST	MOR 170062	GCS 130095	NS540	87	106	95	102	94	112	96	97	104	105	104	-					
			DNS		2.34	16.0	0.04	4.5	3.0	30.6	80	-41	12.9	6	21	-					
			MOR 140175		68	62	30	33	22	56	21	10	23	23	23						
			SP		20.08.17	34	245	110		115	112	-	-	-	-	66					



The Trusted Home of Agriculture  
 Die Betroubare Tuiste van Landbou

Simulcast Production Auction  
**MACLEAR MULTI BREED SALE**

Lot 34

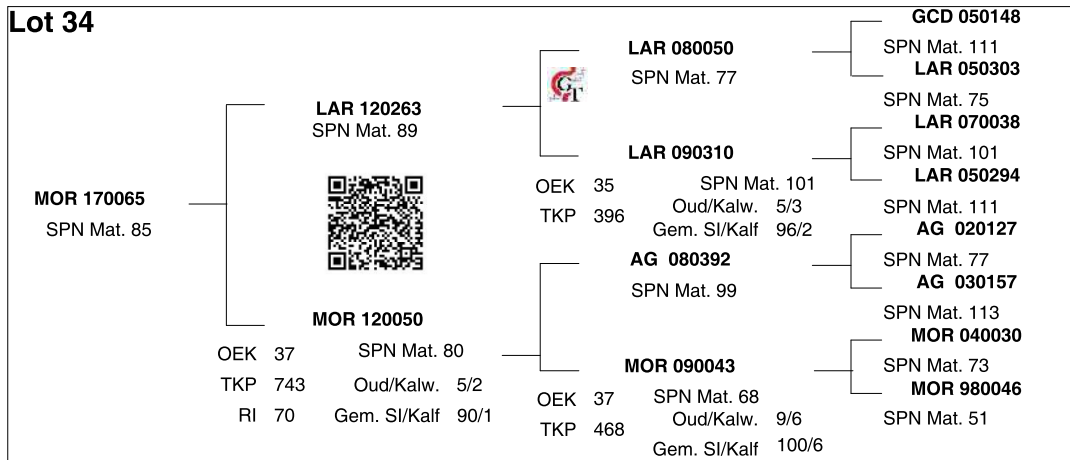


Klik vir video



**BONSMARA BEESTELERSGENOOTSKAP VAN SA**  
 Saamgestel deur die Suid-Afrikaanse Stamboek- en Veeverbeteringsvereniging  
 Stamboom- en Prestasiedata korrek gesertifiseer

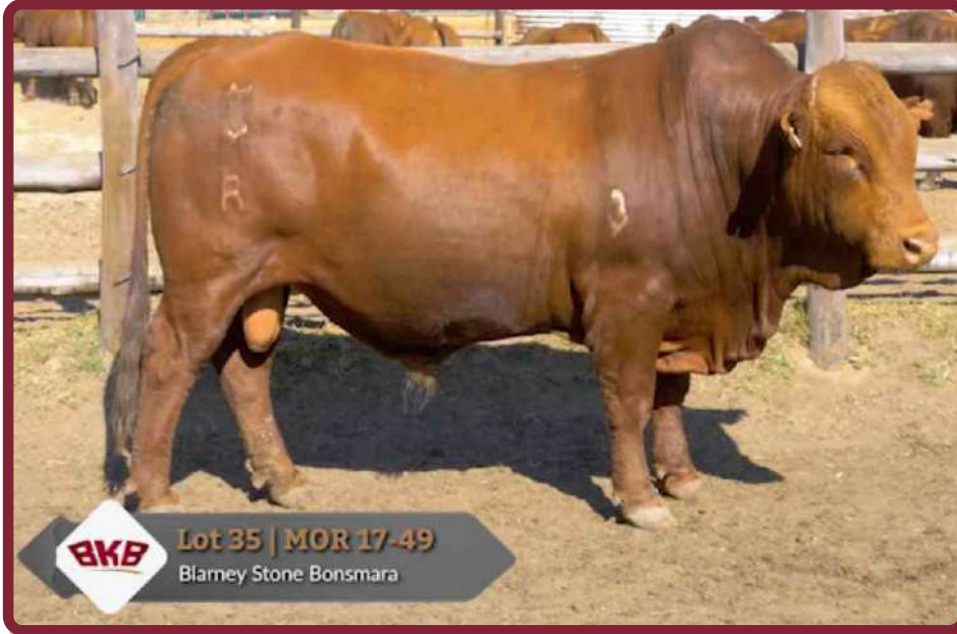
Lot	Verkoper	ID	Ouers		Toets	Teelwaarde indekse										LHV	GGV	SGV	Semen Gebruikers	Gebruiker Eie Opmerkings
			VADER GV OV	MOEDER GV OV		Geb Dir	Speen Dir	Geb Mat	Speen Mat	Volw Gew	Naspeen	GDT	VOV	SO	Hgt					
			Genomies Getoets	DNS	Akk	Akk	Akk	Akk	Akk	Akk	365d Ind	540d Ind	Ind	Ind	(mm)	(mm)	(mm)			
34	MOORE FARMING TRUST	MOR 170065 SP	LAR 120263 MOR 120050	NS540	99	107	89	85	91	112	101	100	108	83	93	-	-	-	-	
			1.11 78	16.7 73	0.32 44	-0.4 46	0.0 28	30.3 65	104 39	-47 15	15.9 43	-12 44	5 42	-	-	-	50.6			



The Trusted Home of Agriculture  
 Die Betroubare Tuiste van Landbou

Simulcast Production Auction  
**MACLEAR MULTI BREED SALE**

Lot 35

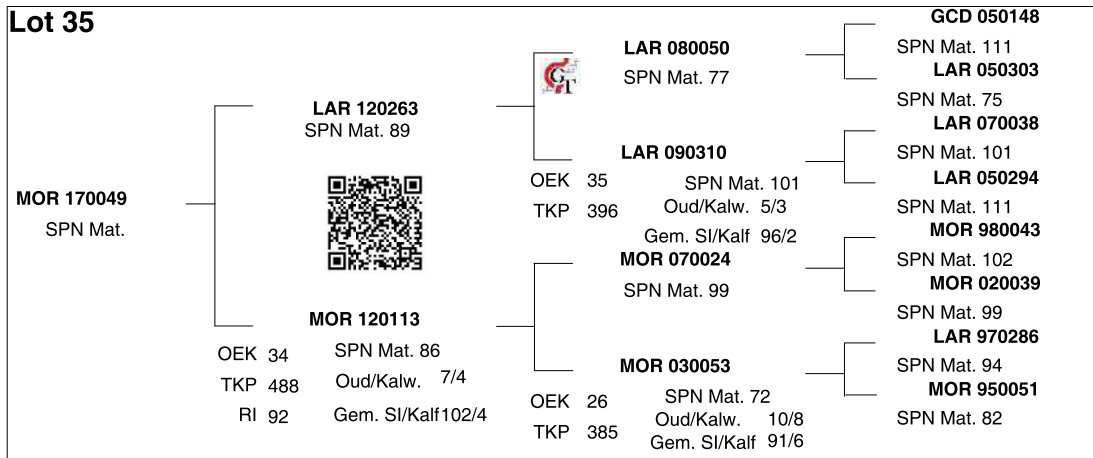


Klik vir video



**BONSMARA BEESTELERSGENOOTSAP VAN SA**  
 Saangestel deur die Suid-Afrikaanse Stamboek- en Veeverbeteringsvereniging  
 Stamboom- en Prestasiedata korrek gesertifiseer

Lot	Verkoper	ID	OUERS		Toets	Teelwaarde indekse											LHV	Semens	Gebruikers	Gebruiker Eie Opmerkings	
			VADER	OV		Geb Dir	Speen Dir	Geb Mat	Speen Mat	Volw Gew	Naspeen	GDT	VOV	SO	Hgt	Lgt					GGV
		POENA	Genomies	Genomies																	
		Gen	GV	OV	DNS	Akk	Akk	Akk	Akk	Akk	Akk	Akk	Akk	Akk	Akk	Akk	Akk	Akk	Akk	Akk	
			MOEDER	OV	Geb. dat.	Gew kg	Gew kg	Ind	kg	kg	kg	385d Ind	540d Ind	Ind	Ind	(mm)	(mm)	(mm)			
35	MOORE FARMING TRUST	MOR 170049	LAR 120263	NSS40																	
		SP	MOR 120113		13.08.17	31	212	93				108	101								



The Trusted Home of Agriculture  
 Die Betroubare Tuiste van Landbou

Simulcast Production Auction  
**MACLEAR MULTI BREED SALE**

Lot 36

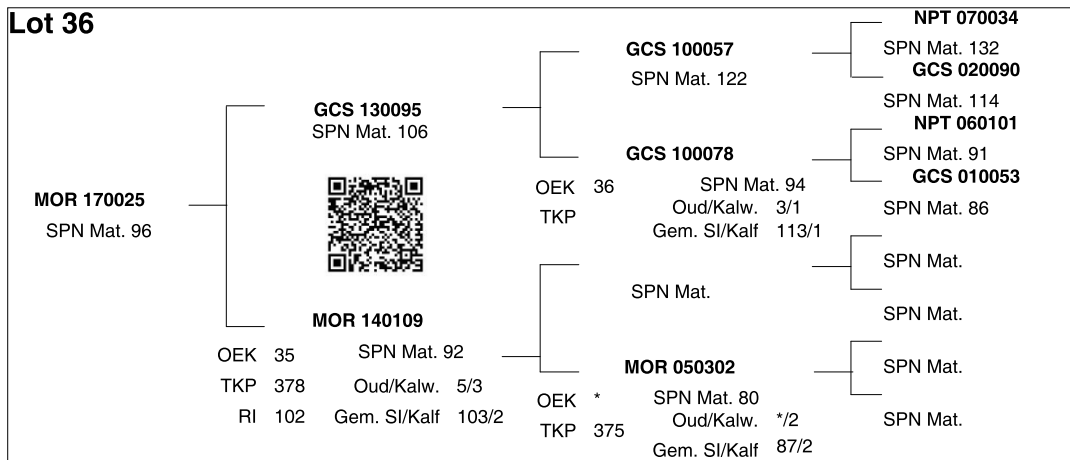


Klik vir video



**BONSMARA BEESTELERSGENOOTSKAP VAN SA**  
 Saamgestel deur die Suid-Afrikaanse Stamboek- en Veeverbeteringsvereniging  
 Stamboom- en Prestasiedata korrek gesertifiseer

Lot	Verkoper	ID	OUERS	Toets	Teelwaarde indekse										LHV	GGV	SGV	Semens Gebruikers	Gebruiker Eie Opmerkings
					VADER GV OV	Genomies Getoets	Geb Dir	Speen Dir	Geb Mat	Speen Mat	Volw Gew	Naspeen	GDT	VOV					
Gen	MOEDER GV OV	Gen	DNS	Akk	Akk	Akk	Akk	Akk	Akk	Akk	Akk	Akk	Akk	Akk	Akk	Akk	Akk	Akk	
			Geb. dat.	Gew kg	Gew kg	Ind	kg	kg	kg	365d Ind	540d Ind	Ind	Ind	(mm)	(mm)	(mm)			
36	MOORE FARMING TRUST	MOR 170025	GCS 130095 MOR 140109	NS540	104	82	95	96	-	82	-	-	-	-	-	-	-	-	
		B			0.60 67	5.2 31	0.04 21	2.9 15	-	8.9 17	-	-	-	-	-	-	-	-	
					32	233	100			100	100	-	-	-	-	-	-	-	



The Trusted Home of Agriculture  
 Die Betroubare Tuiste van Landbou

# Simulcast Production Auction

## MACLEAR MULTI BREED SALE

### Lot 37

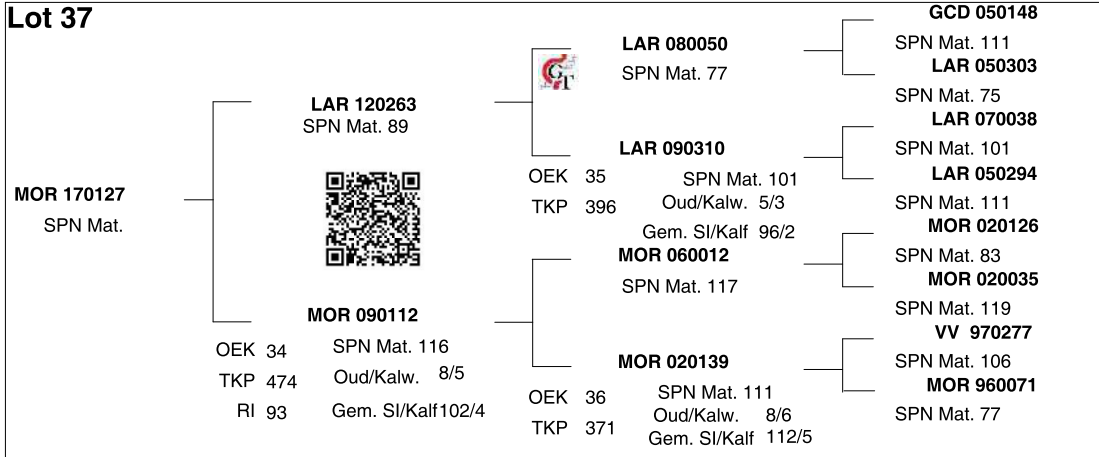


Klik vir video



**BONS MARA BEESTELERSGENOOTSKAP VAN SA**  
 Saamgestel deur die Suid-Afrikaanse Stamboek- en Veeverbeteringsvereniging  
 Stamboom- en Prestasiedata korrek gesertifiseer

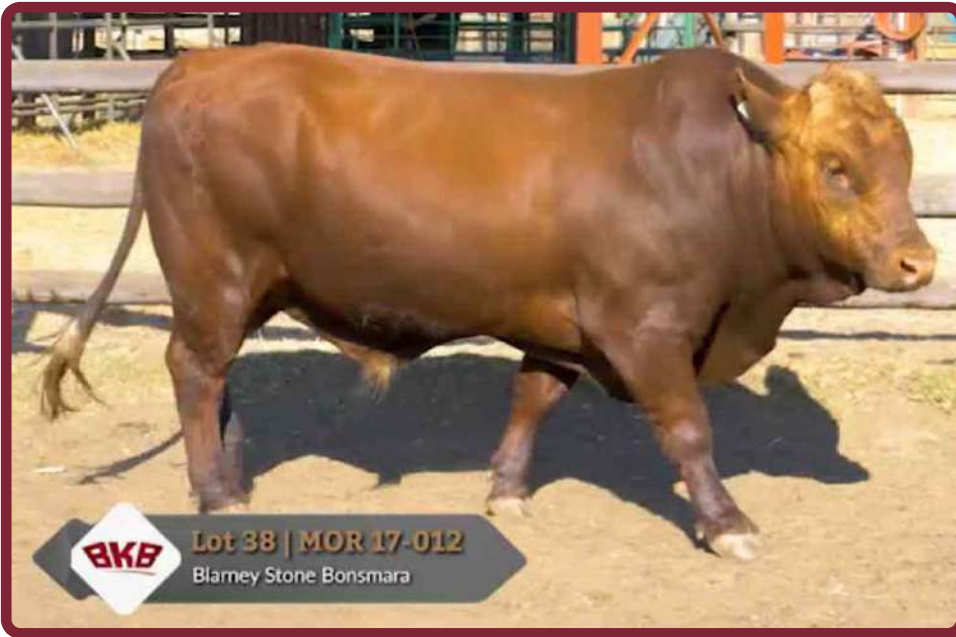
		DIREKTE KALF EIENSKAPPE		DOGTER EIENSKAPPE			GROEI		DOEL	REP	MATES	V:							
		Nageslag Geboortegewig	Nageslag Speengewig	Gemak van Kalwing	Melk prod.	Volwas-se Gewig	Naspeen-gewig	Daaglikse Toename	Voer-omset		Hoogte & Lengte								
Lot	Verkoper	ID	OUERS		Teelwaarde indekse								LHV	Semens Gebruikers	Gebruiker Eie Opmerkings				
			VADER GV	OV	Geb Dir	Speen Dir	Geb Mat	Speen Mat	Volw Gew	Naspeen	GDT	VOV				SO	Hgt	Lgt	GGV
		POENA	Genomies Getoets	DNS	Akk	Akk	Akk	Akk	Akk	Akk	Akk	Akk	Akk	Akk	Akk	Akk			
		Gen	MOEDER GV	OV	Geb. dat.	Gew kg	Gew kg	Ind	kg	kg	kg	365d Ind	540d Ind	Ind	Ind	(mm)	(mm)	(mm)	
37	MOORE FARMING TRUST	MOR 170127	LAR 120263	NSS40															
		SP	MOR 090112		08.11.17	37	206	100				100	100						



The Trusted Home of Agriculture  
 Die Betroubare Tuiste van Landbou

Simulcast Production Auction  
**MACLEAR MULTI BREED SALE**

**Lot 38**

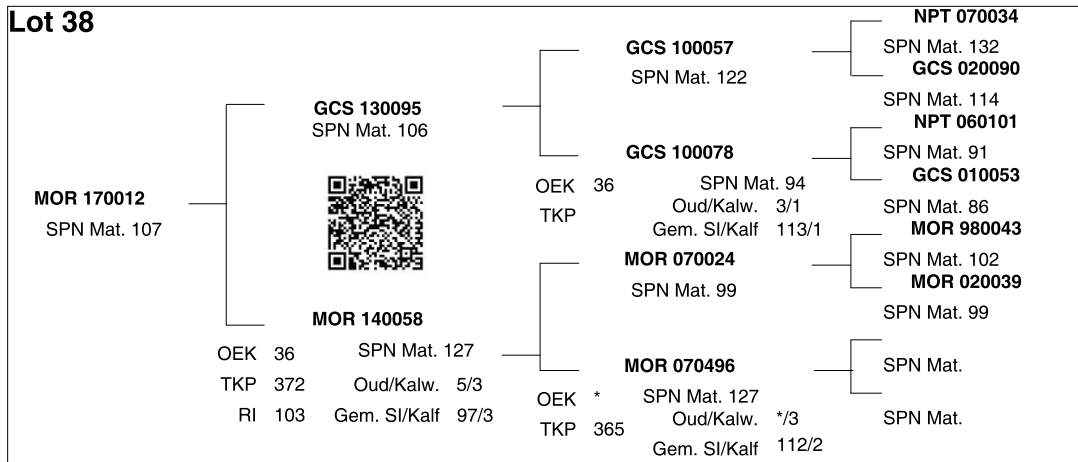


[Klik vir video](#)



**BONSMARA BEESTELERSGENOOTSAP VAN SA**  
 Saamgestel deur die Suid-Afrikaanse Stamboek- en Veeverbeteringsvereniging  
 Stamboom- en Prestasiedata korrek gesertifiseer

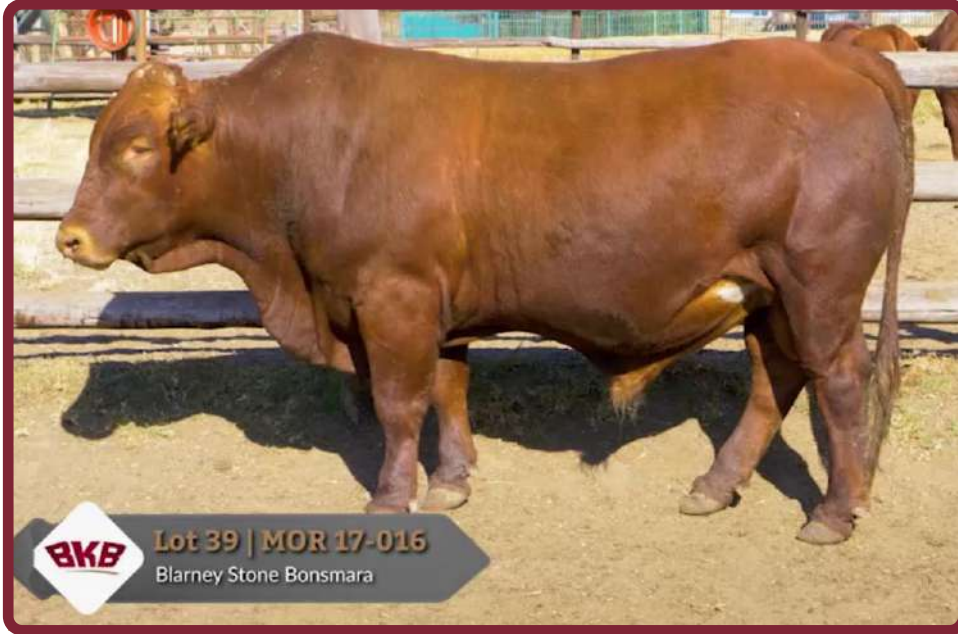
Lot	Verkoper	ID	OUERS		Toets	Teelwaarde indekse											LHV	GGV	SGV	Semen	Gebruikers	Gebruiker Eie Opmerkings								
			VADER GV	OV		Genomies Getoets	Geb Dir	Speen Dir	Geb Mat	Speen Mat	Volw Gew	Naspeen	GDT	VOV	SO	Hgt							Lgt							
		POENA	MOEDER	OV	DNS	Akk	Akk	Akk	Akk	Akk																				
		Gen	GV	OV	Geb. dat.	Gew kg	Gew kg	Ind	kg	kg	kg	385d Ind	540d Ind	Ind	Ind	Ind	(mm)	(mm)	(mm)											
38	MOORE FARMING TRUST	MOR 170012	GCS 130095 or MOR 140058	NSS40	115	93	97	107	100	93	100	98	105	110	110	-														
		SP	DNS		89	10.3	-0.05	5.7	10.0	16.8	99	-43	13.3	10	28	-														
			09.08.17		26	247	111			107	100	-	-	-	-	58.9														



**The Trusted Home of Agriculture  
 Die Betroubare Tuiste van Landbou**

# MACLEAR MULTI BREED SALE

## Lot 39

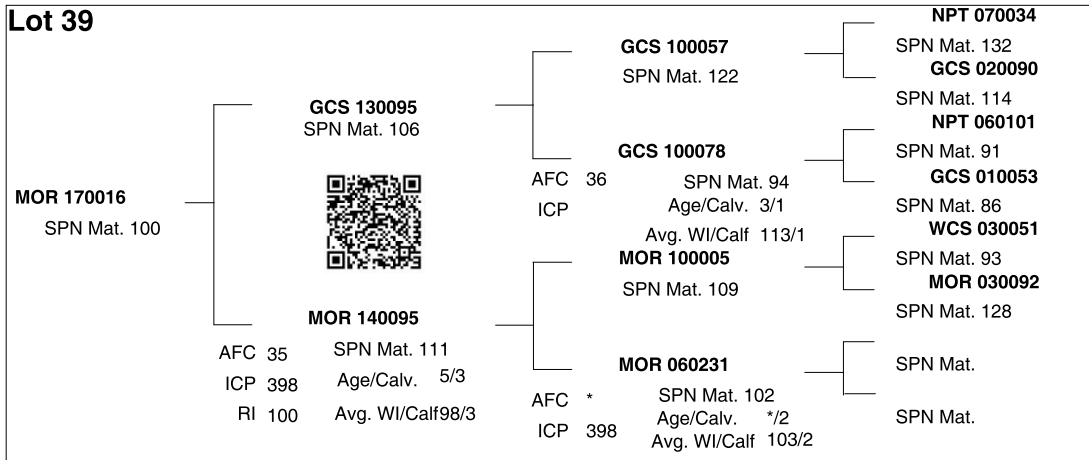


Klik vir video



**BONSMARA BEESTELERSGENOOTSKAP VAN SA**  
 Saamgestel deur die Suid-Afrikaanse Stamboek- en Veeverbeteringsvereniging  
 Stamboom- en Prestasiedata korrek gesertifiseer

Lot	Verkoper	ID	OUERS		Teelwaarde indekse										LHV	GGV	SGV	Saam Gebruikers	Gebruiker Eie Opmerkings					
			VADER GV OV	MOEDER GV OV	Toets	DIREKTE KALF EIENSKAPPE		DOGTER EIENSKAPPE			GROEI		DOEL	REP						MATES		V:		
Gen	Gen	Gen	Genoms Getoets	DNS	Geb Dir	Speen Dir	Geb Mat	Speen Mat	Volw Gew	Naspeen	GDT	VOV	SO	Hgt	Lgt	Ind	Ind	Ind	Ind	(mm)	(mm)	(mm)		
39	MOORE FARMING TRUST	MOR 170016	GCS 130095	PW540	127	86	107	100	97	88	91	94	98	102	102	-								
			DNA	10.08.17	-1.87	7.1	-0.49	3.8	6.0	13.7	56	-33	7.7	3	17									
			MOR 140095		69	61	30	31	18	54	13	5	13	13	13									
					21	229	102			100	100	-	-	-	-	55.4								





Simulcast Production Auction  
**MACLEAR MULTI BREED SALE**

Lot 42



Klik vir video

LOT 42

0085480, VIEDGE R & SONS, HIGHFIELD,P.O. BOX 114,MACLEAR,5480,(T)0737982016



Name Ident. number Sex Section Reg. number Birth Date  
**LEHANA'S PASS LP 170021 MALE SP 0086475589 02-AUG-17**

WINTER 9 TH

DNA: -

LEHANA'S PASS - WINTER 9 TH  
 LP 170021 (SP) - 02-AUG-17 2%

STOTTERHEIM - TL110066  
 TL 110066 (SP) - 30-AUG-11 3%

LEHANA'S PASS - OLLIES 321 WOLF  
 LP 100007 (SP) - 17-AUG-10 2%

AFC 36 ICP 367  
 RI 109 Avg. Wt/Calf: 104 / 6  
 Age / Calves 8j.11m. / 7

MAMPUDI - HARD WINTER 24TH  
 GA 080092 (SP) - 18-AUG-08 3%

STOTTERHEIM - TL 0716  
 TL 070016 (SP) - 14-AUG-07 2%

AFC 36 ICP 392  
 RI 97 Avg. Wt/Calf: / 0  
 Age / Calves 4j.0m. / 2

MAMPUDI - WOLF 26TH  
 GA 060043 (SP) - 05-AUG-06 1%

LEHANA'S PASS - RENNIES OLLIES 321-  
 LP 070039 (SP) - 11-OCT-07 2%

AFC 34 ICP 427  
 RI 100 Avg. Wt/Calf: 113 / 5  
 Age / Calves 9j.10m. / 7

STOTTERHEIM - GANGSTER  
 TL 040078 (SP) - 18-AUG-04 1%

NIETVOORBIJ PKB 000306 - SP  
 PKB 000306 (SP) - 17-JUL-00 1%

ALMAJA - LOUISE JUPITER  
 JA 030016 (SP) - 23-MAR-03 1%

STOTTERHEIM - 20 82  
 TL 000082 (SP) - 20-SEP-00 1%

HUNTERSVELEI - WOLF 4TH  
 JRE 010044 (SP) - 15-JUN-01 1%

MAMPUDI - VIA 11TH  
 GA 020018 (SP) - 11-JUL-02 1%

MAMPUDI - RENNAISSANCE 31ST  
 GA 040019 (SP) - 30-JUN-04 0%

LEHANA'S PASS - ORLANDO 321  
 LP 030021 (SP) - 19-AUG-03 3%

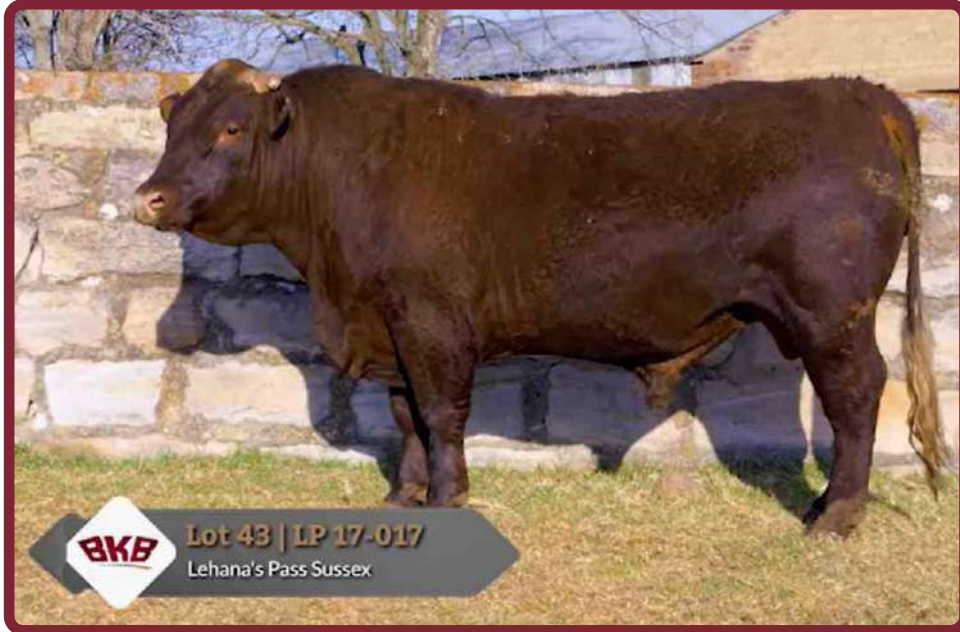
Selection V.	CALVING EASE		MILK		CALF GRWTH.		MAINTENANCE		GROWTH TEST					FERTILITY			COW VALUE	GROWTH VALUE	PRODUCTION VALUE
	★★★	★★★	★★★	★★★	★★★	★★★	★★★	★★★	★★★	★★★	★★★	★★★	★★★	★★★	★★★				
	103 <sub>72</sub>	99 <sub>44</sub>	109 <sub>57</sub>	90 <sub>21</sub>										103 <sub>28</sub>	★★★	107 <sub>37</sub>	-	-	
Birth wght	Birth Mat.	Milk	Wean wght	Post wean	Mature wght	ADG	Kleiber	FCR	Length	Height	SC	AFC	ICP						
BV Ind	104	88	99	109	113	110	110	110	-	110	110	105	91	106					
Estimated BV	.93 <sub>74</sub>	.86 <sub>45</sub>	4.9 <sub>44</sub>	18.7 <sub>57</sub>	39.3 <sub>50</sub>	32 <sub>21</sub>	155 <sub>24</sub>	113 <sub>24</sub>	-	40 <sub>27</sub>	25 <sub>28</sub>	13.6 <sub>28</sub>	5.3 <sub>38</sub>	-5.8 <sub>19</sub>					
Measurements	41			240 (100)	286(115)	404(116)	-	110.	-	-	-	-	-	-					
Remarks:	41.5 SCROTUM SIZE. A GOOD STRONG BULL.															Semen donor: No Tests: FERTILITY CERTIFIED, BM, TRICHOMONAS, VIBRIOSIS Vacc. QUARTER EVIL, LUMPY SKIN, COVEXIN			



The Trusted Home of Agriculture  
 Die Betroubare Tuiste van Landbou

Simulcast Production Auction  
**MACLEAR MULTI BREED SALE**

Lot 43



Klik vir video

LOT 43

0085480, VIEDGE R & SONS, HIGHFIELD,P.O. BOX 114,MACLEAR,5480,(T)0737982016



Naam Ident. nommer Geslag Afdeling Reg. nommer Geboorte Datum  
**LEHANA'S PASS LP 170017 MANLIK SP 0086475563 29-JUL-17**

E 8 TH

DNS: -

LEHANA'S PASS - E 8 TH  
 LP 170017 (SP) - 29-JUL-17 2%

STOTTERHEIM - TL140052  
 TL 140052 (SP) - 07-OCT-14 2%

LEHANA'S PASS - RM JUPITER  
 LP 140008 (SP) - 08-SEP-14 6%  
 OEK 35 TKP 425  
 RI 98 Gem SI/Kalf: 105 / 2  
 Oud. / Kalwers 5j.2m. / 3

STOTTERHEIM - TL0961  
 TL 090061 (SP) - 09-JUL-09 2%

STOTTERHEIM - TL 05 163  
 TL 050163 (SP) - 17-SEP-05 15%  
 OEK 38 TKP 412  
 RI 101 Gem SI/Kalf: 94 / 8  
 Oud. / Kalwers 12j.2m. / 9

STOTTERHEIM - TL 0753  
 TL 070053 (SP) - 22-JUL-07 3%

LEHANA'S PASS - ROBERTS MONSTER-1ST  
 LP 060005 (SP) - 01-AUG-06 3%  
 OEK 37 TKP 368  
 RI 109 Gem SI/Kalf: 107 / 8  
 Oud. / Kalwers 10j.1m. / 8

LEHANA'S PASS - EVERSAR 303  
 LP 030003 (SP) - 11-JUN-03 1%

STOTTERHEIM TL 040042 - SP  
 TL 040042 (SP) - 13-OCT-04 1%

STOTTERHEIM - GOLD 91ST  
 TL 990091 (SP) - 28-AUG-99 4%

STOTTERHEIM - 9939  
 TL 990039 (SP) - 01-AUG-99 1%

ALMAJA - LOUISE JUPITER  
 JA 030016 (SP) - 23-MAR-03 1%

STOTTERHEIM - ANNIE 13TH  
 TL 010011 (SP) - 10-JUL-01 2%

STOTTERHEIM - 0288  
 TL 020088 (SP) - 14-SEP-02 3%

LEHANA'S PASS - ORLANDO 319  
 LP 030019 (SP) - 04-AUG-03 2%

Seleksie W.	KALF GEMAK		MELK	KALFGROEI	ONDERHOUD		GROEI TOETS					VRUGBAARHEID			KOEI WAARDE	GROEI WAARDE	PRODUKSIE WAARDE
	★★★	★★★	★★★	★★★	★★★						★★★						
	108 <sub>71</sub>		95 <sub>43</sub>	101 <sub>70</sub>	105 <sub>16</sub>							120 <sub>28</sub>			★★★	-	-
Geb gew	107	Geb Mat	95	101	101	95	105	104	-	109	105	102	110	120	106 <sub>40</sub>	-	-
TW Ind	.6 <sub>73</sub>	.26 <sub>43</sub>	3.5 <sub>43</sub>	14.3 <sub>70</sub>	27.1 <sub>62</sub>	14 <sub>16</sub>	132 <sub>19</sub>	94 <sub>19</sub>	-	39 <sub>22</sub>	20 <sub>23</sub>	11.7 <sub>22</sub>	-8.8 <sub>37</sub>	-8.7 <sub>19</sub>			
Beraamde TW																	
Metings	36			222 (107)	256(104)	367(106)	-	104.	-	-	-	-	-	-			
Opmerkings:	42.5 SCROTUM SIZE. CARRIES HIMSELF WELL WITH AN EXEPTIONAL HIND QUARTER.														Semen skenker: Nee Toetse: FERTILITY CERTIFIED, BM, TRICHOMONAS, VIBRIOSIS Inent. QUARTER EVIL, LUMPY SKIN, COVEXIN		



The Trusted Home of Agriculture  
 Die Betroubare Tuiste van Landbou

# Simulcast Production Auction

## MACLEAR MULTI BREED SALE

### Lot 44



**BKB** Lot 44 | LP 17-005  
Lehana's Pass Sussex

[Klik vir video](#)

#### LOT 44

0085480, VIEDGE R & SONS, HIGHFIELD,P.O. BOX 114,MACLEAR,5480,(T)0737982016



Name	Ident. number	Sex	Section	Reg. number	Birth Date
LEHANA'S PASS	LP 170005	MALE	SP	0086475514	10-JUL-17

#### E 5 TH

DNA: -

LEHANA'S PASS - E 5 TH	-
LP 170005 (SP) - 10-JUL-17	2%

STOTTERHEIM - TL140052	-
TL 140052 (SP) - 07-OCT-14	2%

STOTTERHEIM - TL0961	-
TL 090061 (SP) - 09-JUL-09	2%

STOTTERHEIM - TL 05 163	-
TL 050163 (SP) - 17-SEP-05	15%
AFC 38	ICP 412
RI 101	Avg. Wt/Calv: 94 / 8
Age / Calves	12j.2m. / 9

LEHANA'S PASS - EXPRESS 618	-
LP 060018 (SP) - 17-AUG-06	1%

LEHANA'S PASS - EXP 2ND ROBERTS JANE	-
LP 100021 (SP) - 23-SEP-10	2%

AFC 34	ICP 542
RI 83	Avg. Wt/Calv: 110 / 4
Age / Calves	8j.9m. / 5

LEHANA'S PASS - ROBERTS JANET 3RB	-
LP 050034 (SP) - 02-SEP-05	3%

AFC 37	ICP 433
RI 97	Avg. Wt/Calv: 97 / 6
Age / Calves	10j.2m. / 7

LEHANA'S PASS - EVERSAR 303	-
LP 030003 (SP) - 11-JUN-03	1%
STOTTERHEIM TL 040042 - SP	-
TL 040042 (SP) - 13-OCT-04	1%

STOTTERHEIM - GOLD 91ST	-
TL 990091 (SP) - 28-AUG-99	4%

STOTTERHEIM - 9939	-
TL 990039 (SP) - 01-AUG-99	1%

STOTTERHEIM - EXPRESS 156TH	-
TL 010156 (SP) - 14-OCT-01	1%

LEHANA'S PASS - PERCYS 130	-
LP 010030 (SP) - 20-AUG-01	0%

STOTTERHEIM - 0288	-
TL 020088 (SP) - 14-SEP-02	3%

LEHANA'S PASS - ORLANDO 05	-
LP 000005 (SP) - 19-JUN-00	2%

Selection V.	CALVING EASE		MILK	CALF GRWTH.	MAINTENANCE	GROWTH TEST						FERTILITY			COW VALUE	GROWTH VALUE	PRODUCTION VALUE
	★★★	★★★	★★★	★★★	★★★	ADG	Kleiber	FCR	Length	Height	SC	AFC	ICP				
	105 <sub>71</sub>	94 <sub>44</sub>	114 <sub>70</sub>	96 <sub>12</sub>										107 <sub>26</sub>	★★★		
Birth wght	103	115	94	114	113	104	116	111	-	121	118	122	104	107			
Birth Mat.	.99 <sub>73</sub>	-.23 <sub>43</sub>	3.1 <sub>44</sub>	21.2 <sub>70</sub>	39.1 <sub>62</sub>	25 <sub>12</sub>	182 <sub>9</sub>	117 <sub>9</sub>	-	55 <sub>13</sub>	31 <sub>14</sub>	22.9 <sub>13</sub>	-3.9 <sub>35</sub>	-6.1 <sub>17</sub>			
Estimated BV																	
Measurements	38			262 (129)	282(115)	397(115)	-	111.	-	-	-	-	-	-			
Remarks:	44 SCROTUM SIZE 3 AND A HALF STAR BULL...DEEP, BROAD AND STRONG. SC GRAND SIRE PATERNAL LP303. GRAND SIRE MATERNAL STOTTERHEIM EXPRESS USED IN HERD.																
	Semen donor: No Tests: FERTILITY CERTIFIED, BM, TRICHOMONAS, VIBRIOSIS Vacc. QUARTER EVIL, LUMPY SKIN, COVEXIN																



The Trusted Home of Agriculture  
Die Betroubare Tuiste van Landbou

# Simulcast Production Auction MACLEAR MULTI BREED SALE

## Lot 45



Klik vir video

### LOT 45

0085480, VIEDGE R & SONS, HIGHFIELD,P.O. BOX 114,MACLEAR,5480,(T)0737982016



Naam Ident. nommer Geslag Afdeling Reg. nommer Geboorte Datum

LEHANA'S PASS LP 170019 MANLIK SP 0086475571 29-JUL-17

### E9 TH

DNS: -

LEHANA'S PASS - E9 TH  
LP 170019 (SP) - 29-JUL-17 2%

STOTTERHEIM - TL140052  
TL 140052 (SP) - 07-OCT-14 2%

STOTTERHEIM - TL0961  
TL 090061 (SP) - 09-JUL-09 2%

STOTTERHEIM - TL 05 163  
TL 050163 (SP) - 17-SEP-05 15%

OEK 38 TKP 412  
RI 101 Gem SI/Kalf: 94 / 8  
Oud. / Kalwers 12j.10m. / 9

STOTTERHEIM - TL 0753  
TL 070053 (SP) - 22-JUL-07 3%

LEHANA'S PASS - NARDA 1ST JUPITER  
LP 140007 (SP) - 08-SEP-14 2%

OEK 35 TKP -  
RI 95 Gem SI/Kalf: 100 / 1  
Oud. / Kalwers 2j.10m. / 1

LEHANA'S PASS - NARDA 1ST  
LP 040021 (SP) - 10-AUG-04 1%

OEK 37 TKP 428  
RI 98 Gem SI/Kalf: 94 / 6  
Oud. / Kalwers 10j.0m. / 7

LEHANA'S PASS - EVERSAR 303  
LP 030003 (SP) - 11-JUN-03 1%

STOTTERHEIM TL 040042 - SP  
TL 040042 (SP) - 13-OCT-04 1%

STOTTERHEIM - GOLD 91ST  
TL 990091 (SP) - 28-AUG-99 4%

STOTTERHEIM - 9939  
TL 990039 (SP) - 01-AUG-99 1%

ALMAJA - LOUISE JUPITER  
JA 030016 (SP) - 23-MAR-03 1%

STOTTERHEIM - ANNIE 13TH  
TL 010011 (SP) - 10-JUL-01 2%

STOTTERHEIM - EXPRESS 156TH  
TL 010156 (SP) - 14-OCT-01 1%

LEHANA'S PASS - JUSTICE NARDA  
LP N 0002 (SP) - 04-JUL-96 1%

Seleksie W.	KALF GEMAK		MELK	KALFGROEI	ONDERHOUD		GROEI TOETS					VRUGBAARHEID			KOEI WAARDE	GROEI WAARDE	PRODUKSIE WAARDE
	★★★☆☆	★★★☆☆	★★★☆☆	★★★☆☆	★★★☆☆						★★★☆☆						
	117 <sub>70</sub>	95 <sub>38</sub>	98 <sub>51</sub>	99 <sub>7</sub>	GDT	Kleiber	VOV	Lengte	Hoogte	SO	OEK	TKP	110 <sub>27</sub>	102 <sub>32</sub>	-	-	
TW Ind	116	100	95	98	101	101	105	104	-	108	104	103	105	109	-	-	
Beraamde TW	-12 <sub>73</sub>	.38 <sub>40</sub>	3.6 <sub>38</sub>	12.8 <sub>51</sub>	27 <sub>44</sub>	21 <sub>7</sub>	131 <sub>19</sub>	94 <sub>19</sub>	-	38 <sub>22</sub>	20 <sub>23</sub>	12.4 <sub>23</sub>	-5.1 <sub>37</sub>	-6.5 <sub>17</sub>			
Metings	32			223 (100)	245 (100)	352 (102)	-	104.	-	-	-	-					
Opmerkings:	43 SCROTUM SIZE. BRED FROM A HEIFER.																
	Semen skenker: Nee Toetse: FERTILITY CERTIFIED, BM, TRICHOMONAS, VIBRIOSIS Inent. QUARTER EVIL, LUMPY SKIN, COVEXIN																



The Trusted Home of Agriculture  
Die Betroubare Tuiste van Landbou

Simulcast Production Auction  
**MACLEAR MULTI BREED SALE**

Lot 46



Klik vir video

**LOT 46**

0085480, VIEDGE R & SONS, HIGHFIELD,P.O. BOX 114,MACLEAR,5480,(T)0737982016



Name Ident. number Sex Section Reg. number Birth Date  
**LEHANA'S PASS LP 170034 MALE SP 0086687407 19-SEP-17**

**WINTER 14 TH**

DNA: -

LEHANA'S PASS - WINTER 14 TH -  
 LP 170034 (SP) - 19-SEP-17 2%

STOTTERHEIM - TL110066 -  
 TL 110066 (SP) - 30-AUG-11 3%

LEHANA'S PASS - RENS EXP -  
 LP 130032 (SP) - 25-SEP-13 3%

AFC 34 ICP 554  
 RI 86 Avg. Wt/Calv: 103 / 2  
 Age / Calves 5j.10m. / 3

MAMPUDI - HARD WINTER 24TH -  
 GA 080092 (SP) - 18-AUG-08 3%

STOTTERHEIM - TL 0716 -  
 TL 070016 (SP) - 14-AUG-07 2%

AFC 36 ICP 392  
 RI 97 Avg. Wt/Calv: / 0  
 Age / Calves 4j.0m. / 2

LEHANA'S PASS - RENS JUSTICE 936 -  
 LP 090024 (SP) - 07-SEP-09 3%

LEHANA'S PASS - EXP2 ORLANDO 233 -  
 LP 100029 (SP) - 27-SEP-10 2%

AFC 36 ICP 463  
 RI 93 Avg. Wt/Calv: 102 / 4  
 Age / Calves 6j.9m. / 4

STOTTERHEIM - GANGSTER -  
 TL 040078 (SP) - 18-AUG-04 1%

NIETVOORBIJ PKB 000306 - SP -  
 PKB 000306 (SP) - 17-JUL-00 1%

ALMAIJA - LOUISE JUPITER -  
 JA 030016 (SP) - 23-MAR-03 1%

STOTTERHEIM - 20 82 -  
 TL 000082 (SP) - 20-SEP-00 1%

MAMPUDI - RENNAISSANCE 31ST -  
 GA 040019 (SP) - 30-JUN-04 0%

LEHANA'S PASS - JUSTICE 936 -  
 LP 990036 (SP) - 10-OCT-99 1%

LEHANA'S PASS - EXPRESS 618 -  
 LP 060018 (SP) - 17-AUG-06 1%

LEHANA'S PASS - ORLANDO 233 -  
 LP 020033 (SP) - 31-JUL-02 3%

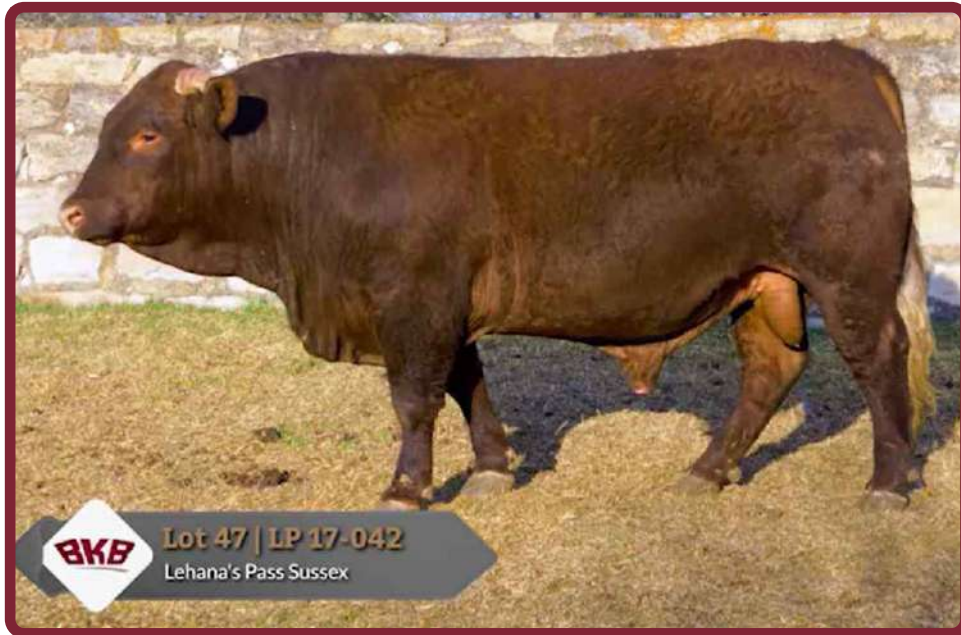
Selection V.	CALVING EASE		MILK		CALF GRWTH.		MAINTENANCE		GROWTH TEST					FERTILITY			COW VALUE	GROWTH VALUE	PRODUCTION VALUE	
	★★★	★★★	★★★	★★★	★★★	★★★						★★								
	102 <sub>70</sub>	92 <sub>36</sub>	104 <sub>69</sub>	97 <sub>15</sub>					ADG	Kleiber	FCR	Length	Height	SC	AFC	ICP	89 <sub>28</sub>	95 <sub>38</sub>	-	-
Birth wght	Birth Mat.	Milk	Wean wght	Post wean	Mature wght															
BV Ind	1.04 <sub>73</sub>	.54 <sub>40</sub>	2.7 <sub>36</sub>	16 <sub>69</sub>	31.3 <sub>60</sub>	24 <sub>15</sub>	120 <sub>18</sub>	89 <sub>18</sub>	-	-	32 <sub>21</sub>	19 <sub>22</sub>	12.8 <sub>21</sub>	9.2 <sub>38</sub>	-2.9 <sub>17</sub>					
Estimated BV																				
Measurements	39			222 (105)	255(102)	361(103)	-	102.												
Remarks:	43 SCROTUM SIZE. DEEP AND BROAD. CARRIES A LOT OF MEAT.																			
	Semen donor: No Tests: FERTILITY CERTIFIED, BM, TRICHOMONAS, VIBRIOSIS Vacc. QUARTER EVIL, LUMPY SKIN, COVEXIN																			



The Trusted Home of Agriculture  
 Die Betroubare Tuiste van Landbou

Simulcast Production Auction  
**MACLEAR MULTI BREED SALE**

Lot 47



Klik vir video

**LOT 47**

0085480, VIEDGE R & SONS, HIGHFIELD,P.O. BOX 114,MACLEAR,5480,(T)0737982016



Naam Ident. nommer Geslag Afdeling Reg. nommer Geboorte Datum  
**LEHANA'S PASS LP 170042 MANLIK SP 0086688900 03-NOV-17**

**410 2 ND**

DNS: -

LEHANA'S PASS - 410 2 ND  
 LP 170042 (SP) - 03-NOV-17 3%

LEHANA'S PASS - SA 2ND  
 LP 140010 (SP) - 23-SEP-14 3%

LEHANA'S PASS - EXP 2ND GILLIAN 8TH  
 LP 100051 (SP) - 14-NOV-10 14%  
 OEK 33 TKP 440  
 RI 99 Gem SI/Kalf: 104 / 3  
 Oud. / Kalwers 8j.9m. / 6

STOTTERHEIM - TL110085 -  
 TL 110085 (SP) - 14-SEP-11 3%

LEHANA'S PASS - SARS OLIES 001 -  
 LP 070010 (SP) - 23-AUG-07 4%  
 OEK 37 TKP 428  
 RI 98 Gem SI/Kalf: 90 / 6  
 Oud. / Kalwers 10j.0m. / 7

LEHANA'S PASS - EXPRESS 618 -  
 LP 060018 (SP) - 17-AUG-06 1%

LEHANA'S PASS - EXPRESS GILLIAN 4TH  
 LP 060010 (SP) - 12-AUG-06 1%  
 OEK 37 TKP 372  
 RI 108 Gem SI/Kalf: 99 / 5  
 Oud. / Kalwers 10j.2m. / 8

STOTTERHEIM - TL 0753 -  
 TL 070053 (SP) - 22-JUL-07 3%  
 STOTTERHEIM TL 060152 - SP -  
 TL 060152 (SP) - 04-NOV-06 4%

LEHANA'S PASS - EVERSAR 303 -  
 LP 030003 (SP) - 11-JUN-03 1%  
 LEHANA'S PASS - ORLANDO 01 -  
 LP 000001 (SP) - 30-MAY-00 2%

STOTTERHEIM - EXPRESS 156TH  
 TL 010156 (SP) - 14-OCT-01 1%

LEHANA'S PASS - PERCYS 130 -  
 LP 010030 (SP) - 20-AUG-01 0%

STOTTERHEIM - EXPRESS 156TH  
 TL 010156 (SP) - 14-OCT-01 1%

LEHANA'S PASS - JUSTICE 931 -  
 LP 990031 (SP) - 15-SEP-99 2%

Seleksie W.	KALF GEMAK ★★★		MELK ★★	KALFGROEI ★★★	ONDERHOUD ★★★★		GROEI TOETS					VRUGBAARHEID ★★★★			KOEI WAARDE ★★★	GROEI WAARDE	PRODUKSIE WAARDE
	103 <sub>72</sub>	87 <sub>41</sub>	97 <sub>71</sub>	113 <sub>11</sub>	GDT	Kleiber	VOV	Lengte	Hoogte	SO	OEK	TKP	111 <sub>22</sub>				
Geb gew	102	87	97	95	87	97	97	-	98	99	108	116	108	94 <sub>36</sub>	-	-	
TW Ind	1.05 <sub>74</sub>	.07 <sub>42</sub>	.8 <sub>41</sub>	12.3 <sub>71</sub>	21.8 <sub>60</sub>	4 <sub>11</sub>	92 <sub>23</sub>	73 <sub>23</sub>	-	26 <sub>27</sub>	15 <sub>29</sub>	15.2 <sub>28</sub>	12.7 <sub>34</sub>	-6.2 <sub>11</sub>	-	-	
Beraamde TW	1.05	.07	.8	12.3	21.8	4	92	73	-	26	15	15.2	12.7	-6.2	-	-	
Metings	40		178 (101)	246(111)	352(102)		97										

Opmerkings:  
 43 SCROTUM SIZE. DEEP AND BROAD WITH GOOD BONE.

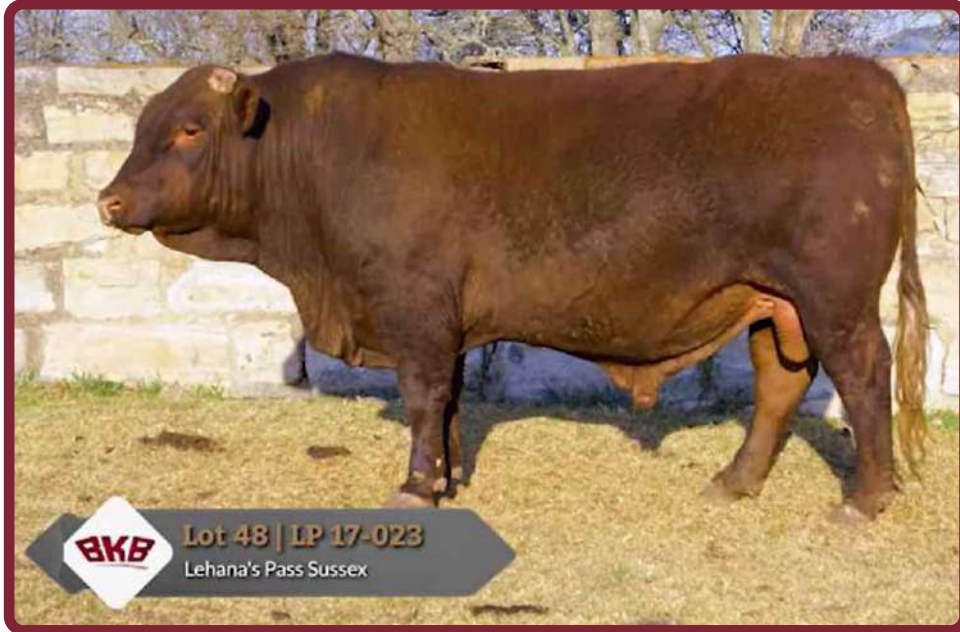
Semen skenker: Nee  
 Toetse: FERTILITY CERTIFIED, BM, TRICHOMONAS, VIBRIOSIS  
 Inent. QUARTER EVIL, LUMPY SKIN, COVEXIN



The Trusted Home of Agriculture  
 Die Betroubare Tuiste van Landbou

Simulcast Production Auction  
**MACLEAR MULTI BREED SALE**

Lot 48



Klik vir video

LOT 48

0085480, VIEDGE R & SONS, HIGHFIELD,P.O. BOX 114,MACLEAR,5480,(T)0737982016



Name	Ident. number	Sex	Section	Reg. number	Birth Date
LEHANA'S PASS	LP 170023	MALE	SP	0086688439	06-AUG-17

WINTER 10 TH

DNA: -

LEHANA'S PASS - WINTER 10 TH	-
LP 170023 (SP) - 06-AUG-17	1%

STOTTERHEIM - TL110066	-
TL 110066 (SP) - 30-AUG-11	3%

MAMPUDI - HARD WINTER 24TH	-
GA 080092 (SP) - 18-AUG-08	3%

STOTTERHEIM - TL 0716	-
TL 070016 (SP) - 14-AUG-07	2%
AFC 36 ICP 392	
RI 97 Avg. Wt/Calv: / 0	
Age / Calves 4j.0m. / 2	

MAMPUDI - RENNAISSANCE 31ST	-
GA 040019 (SP) - 30-JUN-04	0%

LEHANA'S PASS - PERCYS 132	-
LP 010032 (SP) - 01-SEP-01	0%
AFC 34 ICP 393	
RI 106 Avg. Wt/Calv: 106 / 5	
Age / Calves 8j.2m. / 6	

STOTTERHEIM - GANGSTER	-
TL 040078 (SP) - 18-AUG-04	1%
NIETVOORBIJ PKB 000306 - SP	-
PKB 000306 (SP) - 17-JUL-00	1%

ALMAJA - LOUISE JUPITER	-
JA 030016 (SP) - 23-MAR-03	1%

STOTTERHEIM - 20 82	-
TL 000082 (SP) - 20-SEP-00	1%

FAURZYL - BRUTUS JUNIOR	-
TZ 970200 (SP) - 10-NOV-97	0%

MAMPUDI - ELSA 35TH	-
GA 000061 (SP) - 26-AUG-00	1%

FAURZYL - PERCY	-
TZ 980011 (SP) - 08-JUL-98	0%

LEHANA'S PASS - JUSTICE 813	-
LP 980013 (SP) - 17-JUL-98	0%

Selection V.	CALVING EASE		MILK		CALF GRWTH		MAINTENANCE			GROWTH TEST					FERTILITY			COW VALUE	GROWTH VALUE	PRODUCTION VALUE
	113 <sub>72</sub>	101 <sub>43</sub>	97 <sub>70</sub>	101 <sub>16</sub>						86 <sub>30</sub>										
Birth wght	Birth Mat.	Milk	Wean wght	Post wean	Mature wght	ADG	Kleiber	FCR	Length	Height	SC	AFC	ICP	★★★						
113	93	101	97	102	99	103	104	-	101	101	98	83	89	100 <sub>40</sub>	-	-	-			
.15 <sub>74</sub>	.65 <sub>42</sub>	5.8 <sub>43</sub>	12.4 <sub>70</sub>	28.1 <sub>62</sub>	18 <sub>16</sub>	123 <sub>29</sub>	94 <sub>29</sub>	-	30 <sub>32</sub>	16 <sub>33</sub>	9.4 <sub>33</sub>	11.7 <sub>39</sub>	-2.2 <sub>21</sub>	Semen donor: No Tests: FERTILITY CERTIFIED, BM, TRICHOMONAS, VIBRIOSIS Vacc. QUARTER EVIL, LUMPY SKIN, COVEXIN						
40			219 (103)	256(102)	372(106)	-	104.	-	-	-	-	-	-	Remarks: 41.5 SCROTUM SIZE. A MEATY WELL BALANCED BULL.						

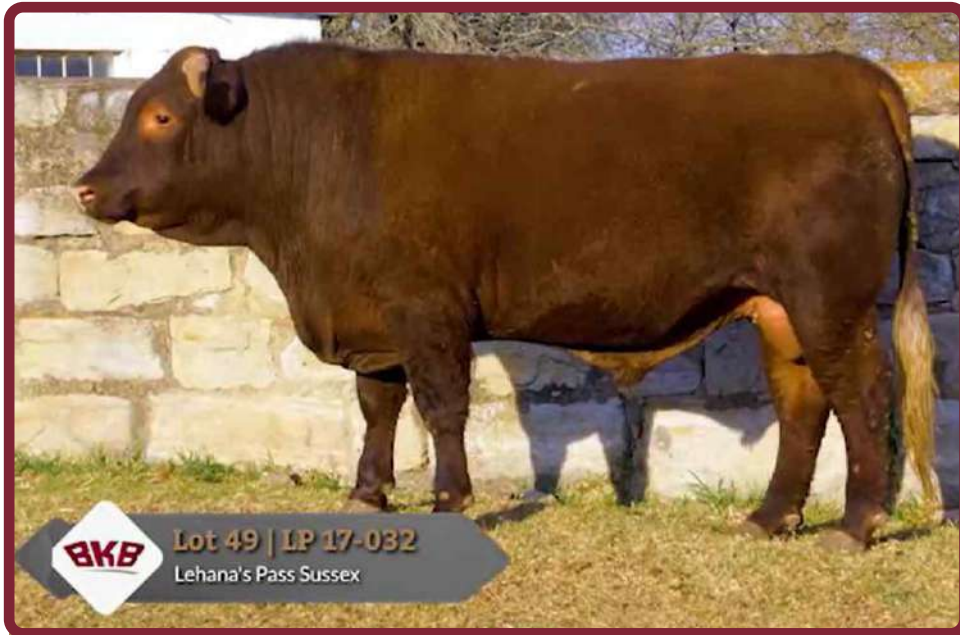


The Trusted Home of Agriculture  
 Die Betroubare Tuiste van Landbou

# Simulcast Production Auction

## MACLEAR MULTI BREED SALE

### Lot 49



Klik vir video

**LOT 49**

0085480, VIEDGE R & SONS, HIGHFIELD,P.O. BOX 114,MACLEAR,5480,(T)0737982016



Naam	Ident. nommer	Geslag	Afdeling	Reg. nommer	Geboorte Datum
<b>LEHANA'S PASS</b>	<b>LP 170032</b>	<b>MANLIK</b>	<b>SP</b>	<b>0086475084</b>	<b>04-SEP-17</b>

**WINTER 14 TH**

DNS: -

LEHANA'S PASS - WINTER 14 TH LP 170032 (SP) - 04-SEP-17	-	2%
--	---	----

STOTTERHEIM - TL110066 TL 110066 (SP) - 30-AUG-11	-	3%
--	---	----

LEHANA'S PASS - RENSMONS NARDA - LP 080014 (SP) - 04-SEP-08	-	2%
OEK 37      TKP 420 Ri 100      Gem Sl/Kalf: 109 / 6 Oud. / Kalwers      9j.11m. / 7		

MAMPUDI - HARD WINTER 24TH GA 080092 (SP) - 18-AUG-08	-	3%
--	---	----

STOTTERHEIM - TL 0716 TL 070016 (SP) - 14-AUG-07	-	2%
OEK 36      TKP 392 Ri 97      Gem Sl/Kalf: / 0 Oud. / Kalwers      4j.0m. / 2		

MAMPUDI - RENNAISSANCE 31ST GA 040019 (SP) - 30-JUN-04	-	0%
---	---	----

LEHANA'S PASS - MONSTER 08 LP 000008 (SP) - 23-JUL-00	-	1%
OEK 40      TKP 440 Ri 92      Gem Sl/Kalf: 101 / 4 Oud. / Kalwers      8j.1m. / 5		

STOTTERHEIM - GANGSTER TL 040078 (SP) - 18-AUG-04	-	1%
NIETVOORBIJ PKB 000306 - SP PKB 000306 (SP) - 17-JUL-00	-	1%

ALMAJA - LOUISE JUPITER JA 030016 (SP) - 23-MAR-03	-	1%
STOTTERHEIM - 20 82 TL 000082 (SP) - 20-SEP-00	-	1%

FAURZYL - BRUTUS JUNIOR TZ 970200 (SP) - 10-NOV-97	-	0%
---	---	----

MAMPUDI - ELSA 35TH GA 000061 (SP) - 26-AUG-00	-	1%
---	---	----

AVOCA - MONSTER GMO 970037 (SP) - 06-OCT-97	-	2%
--	---	----

LEHANA'S PASS - JUSTICE NARDA LP N 0002 (SP) - 04-JUL-96	-	1%
---	---	----

Seleksie W.	KALF GEMAK		MELK	KALFGROEI	ONDERHOUD		GROEI TOETS					VRUGBAARHEID			KOEI WAARDE	GROEI WAARDE	PRODUKSIE WAARDE
	124 <sup>72</sup>	101 <sup>45</sup>	88 <sup>71</sup>	104 <sup>16</sup>	GDT	Kleiber	VOV	Lengte	Hoogte	SO	OEK	TKP	85 <sup>30</sup>				
Geb gew	123	95	101	88	93	96	100	100	-	98	99	94	91	85	95 <sup>41</sup>	-	-
TW Ind	-.7 <sup>74</sup>	.58 <sup>46</sup>	5.6 <sup>45</sup>	7.4 <sup>71</sup>	18.9 <sup>62</sup>	15 <sup>16</sup>	105 <sup>24</sup>	82 <sup>24</sup>	-	27 <sup>27</sup>	15 <sup>28</sup>	7.5 <sup>27</sup>	5.4 <sup>46</sup>	-1.4 <sup>26</sup>			
Beraamde TW				228 (111)	252(103)	341 (98)	-	100.	-	-	-	-	-				
Metings																	
Opmerkings: 39 SCROTUM SIZE. A BULL SUITABLE FOR HEIFERS														Semen skenker: Nee Toetse: FERTILITY CERTIFIED, BM, TRICHOMONAS Inent. QUARTER EVIL, LUMPY SKIN, COVEXIN			



**The Trusted Home of Agriculture**  
**Die Betroubare Tuiste van Landbou**



# Simulcast Production Auction

## MACLEAR MULTI BREED SALE

### Lot 50



Klik vir video

**LOT 50**

0085480, VIEDGE R & SONS, HIGHFIELD,P.O. BOX 114,MACLEAR,5480,(T)0737982016



Name	Ident. number	Sex	Section	Reg. number	Birth Date
<b>LEHANA'S PASS</b>	<b>LP 170007</b>	<b>MALE</b>	<b>SP</b>	<b>0086475530</b>	<b>14-JUL-17</b>

**WINTER 6 TH**

DNA: -

LEHANA'S PASS - WINTER 6 TH LP 170007 (SP) - 14-JUL-17	-	2%
---	---	----

STOTTERHEIM - TL110066 TL 110066 (SP) - 30-AUG-11	-	3%
--	---	----

MAMPUDI - HARD WINTER 24TH GA 080092 (SP) - 18-AUG-08	-	3%
--	---	----

STOTTERHEIM - TL 0716 TL 070016 (SP) - 14-AUG-07	-	2%
AFC 36      ICP 392 RI 97      Avg. Wt/Calv: / 0 Age / Calves 4j.0m. / 2		

LEHANA'S PASS - EXPRESS 618 LP 060018 (SP) - 17-AUG-06	-	1%
---	---	----

LEHANA'S PASS - EXP2 ORLANDO 233 - LP 100029 (SP) - 27-SEP-10	-	2%
AFC 36      ICP 463 RI 93      Avg. Wt/Calv:102 / 4 Age / Calves 6j.9m. / 4		

LEHANA'S PASS - ORLANDO 233 LP 020033 (SP) - 31-JUL-02	-	3%
AFC 36      ICP 377 RI 106      Avg. Wt/Calv: 96 / 6 Age / Calves 8j.1m. / 6		

STOTTERHEIM - GANGSTER TL 040078 (SP) - 18-AUG-04	-	1%
NIETVOORBIJ PKB 000306 - SP PKB 000306 (SP) - 17-JUL-00	-	1%

ALMAJA - LOUISE JUPITER JA 030016 (SP) - 23-MAR-03	-	1%
STOTTERHEIM - 20 82 TL 000082 (SP) - 20-SEP-00	-	1%

STOTTERHEIM - EXPRESS 156TH TL 010156 (SP) - 14-OCT-01	-	1%
---	---	----

LEHANA'S PASS - PERCYS 130 LP 010030 (SP) - 20-AUG-01	-	0%
--	---	----

STOTTERHEIM - ORLANDO 5 TL 970005 (SP) - 02-JUL-97	-	5%
---	---	----

LEHANA'S PASS - JUSTICE 804 LP 980004 (SP) - 26-JUN-98	-	5%
---	---	----

Selection V.	CALVING EASE		MILK		CALF GRWTH.		MAINTENANCE		GROWTH TEST					FERTILITY			COW VALUE	GROWTH VALUE	PRODUCTION VALUE
	★★★	★★★	★★★	★★★	★★★	★★★						★★★							
	<b>102</b> <sub>72</sub>	<b>89</b> <sub>44</sub>	<b>101</b> <sub>70</sub>	<b>92</b> <sub>17</sub>															
Birth wght	Birth Mat.	Milk	Wean wght	Post wean	Mature wght	ADG	Kleiber	FCR	Length	Height	SC	AFC	ICP						
BV Ind	<b>1.09</b> <sub>74</sub>	<b>.42</b> <sub>43</sub>	<b>1.4</b> <sub>44</sub>	<b>14.5</b> <sub>70</sub>	<b>27.7</b> <sub>62</sub>	<b>29.17</b>	<b>102</b> <sub>19</sub>	<b>77</b> <sub>19</sub>	<b>-</b>	<b>30</b> <sub>22</sub>	<b>18</b> <sub>23</sub>	<b>13.4</b> <sub>22</sub>	<b>5.9</b> <sub>41</sub>	<b>-4.3</b> <sub>19</sub>					
Estimated BV																			
Measurements	<b>40</b>		<b>214</b> (100)	<b>250</b> (99)	<b>341</b> (96)														
Remarks:	37.5 SCROTUM SIZE. A WELL BALANCED BULL WITH A GOOD TOPLINE.																		
																Semen donor: No Tests: FERTILITY CERTIFIED, BM, TRICHOMONAS Vacc. QUARTER EVIL, LUMPY SKIN, COVEXIN			



**The Trusted Home of Agriculture**  
**Die Betroubare Tuiste van Landbou**

Simulcast Production Auction  
**MACLEAR MULTI BREED SALE**

Lot 51

# BKKB

The Trusted Home of Agriculture  
 Die Betroubare Tuiste van Landbou

LOT 51

0085480, VIEDGE R & SONS, HIGHFIELD,P.O. BOX 114,MACLEAR,5480,(T)0737982016



Naam Ident. nommer Geslag Afdeling Reg. nommer Geboorte Datum  
**LEHANA'S PASS LP 170047 MANLIK SP 0086687159 17-NOV-17**

WINTER 13 TH

DNS: -

LEHANA'S PASS - WINTER 13 TH  
 LP 170047 (SP) - 17-NOV-17 2%

STOTTERHEIM - TL110066  
 TL 110066 (SP) - 30-AUG-11 3%

LEHANA'S PASS - RENS NAN 6TH  
 LP 090015 (SP) - 30-AUG-09 2%

OEK 35 TKP 485  
 RI 91 Gem SI/Kalf: 103 / 3  
 Oud. / Kalwers 8j.2m. / 5

MAMPUDI - HARD WINTER 24TH  
 GA 080092 (SP) - 18-AUG-08 3%

STOTTERHEIM - TL 0716  
 TL 070016 (SP) - 14-AUG-07 2%

OEK 36 TKP 392  
 RI 97 Gem SI/Kalf: / 0  
 Oud. / Kalwers 4j.0m. / 2

MAMPUDI - RENNAISSANCE 31ST  
 GA 040019 (SP) - 30-JUN-04 0%

LEHANA'S PASS - MONSTER 136  
 LP 010036 (SP) - 27-NOV-01 2%

OEK 33 TKP 427  
 RI 101 Gem SI/Kalf: 103 / 7  
 Oud. / Kalwers 10j.11m. / 8

STOTTERHEIM - GANGSTER -  
 TL 040078 (SP) - 18-AUG-04 1%

NIETVOORBIJ PKB 000306 - SP -  
 PKB 000306 (SP) - 17-JUL-00 1%

ALMAJA - LOUISE JUPITER -  
 JA 030016 (SP) - 23-MAR-03 1%

STOTTERHEIM - 20 82 -  
 TL 000082 (SP) - 20-SEP-00 1%

FAURZYL - BRUTUS JUNIOR -  
 TZ 970200 (SP) - 10-NOV-97 0%

MAMPUDI - ELSA 35TH -  
 GA 000061 (SP) - 26-AUG-00 1%

AVOCA - MONSTER -  
 GMO 970037 (SP) - 06-OCT-97 2%

LEHANA'S PASS - JUSTICE NAN -  
 LP N 0010 (SP) - 10-AUG-96 2%

Seleksie W.	KALF GEMAK		MELK	KALFGROEI	ONDERHOUD		GROEI TOETS					VRUGBAARHEID			KOEI WAARDE	GROEI WAARDE	PRODUKSIE WAARDE
	★★★	★★★	★★★	★★★	★★★						★★★						
	94 <sub>71</sub>	92 <sub>42</sub>	104 <sub>70</sub>	98 <sub>14</sub>						83 <sub>30</sub>			★★★	-	-		
	Geb gew	Geb Mat	Melk	Speen gew	Naspeen	Volw. gewig	GDT	Kleiber	VOV	Lengte	Hoogte	SO	OEK	TKP			
TW Ind	95	91	92	104	104	102	103	103	-	103	103	99	84	85	89 <sub>40</sub>	-	-
Beraamde TW	1.64 <sub>73</sub>	.73 <sub>44</sub>	2.4 <sub>42</sub>	15.7 <sub>70</sub>	30.2 <sub>62</sub>	23 <sub>14</sub>	123 <sub>24</sub>	91 <sub>24</sub>	-	32 <sub>27</sub>	18 <sub>28</sub>	10 <sub>27</sub>	10.6 <sub>40</sub>	-1.4 <sub>20</sub>	Semen skenker: Nee		
Metings	42			208 (122)	239(106)	351(101)	-	103.	-	-	-	-	-	-	Toetse: FERTILITY CERTIFIED, BM, TRICHOMONAS Inent. QUARTER EVIL, LUMPY SKIN, COVEXIN		

Opmerkings:  
 45 SCROTUM SIZE. A WELL BALANCED BULL.

# BKKB

The Trusted Home of Agriculture  
 Die Betroubare Tuiste van Landbou

Simulcast Production Auction

# MACLEAR MULTI BREED SALE

## FEMALE ANIMALS

Lot 53 - 55



[Klik vir video](#)

LOT	SELLER	NUMBER	DESCRIPTION	REMARKS
53	Moore Farming Trust	10	Bonsmara Heifers in calf	

LOT	SELLER	NUMBER	DESCRIPTION	REMARKS
54	Moore Farming Trust	10	Bonsmara Heifers in calf	

LOT	SELLER	NUMBER	DESCRIPTION	REMARKS
55	Moore Farming Trust	10	Bonsmara Heifers in calf	

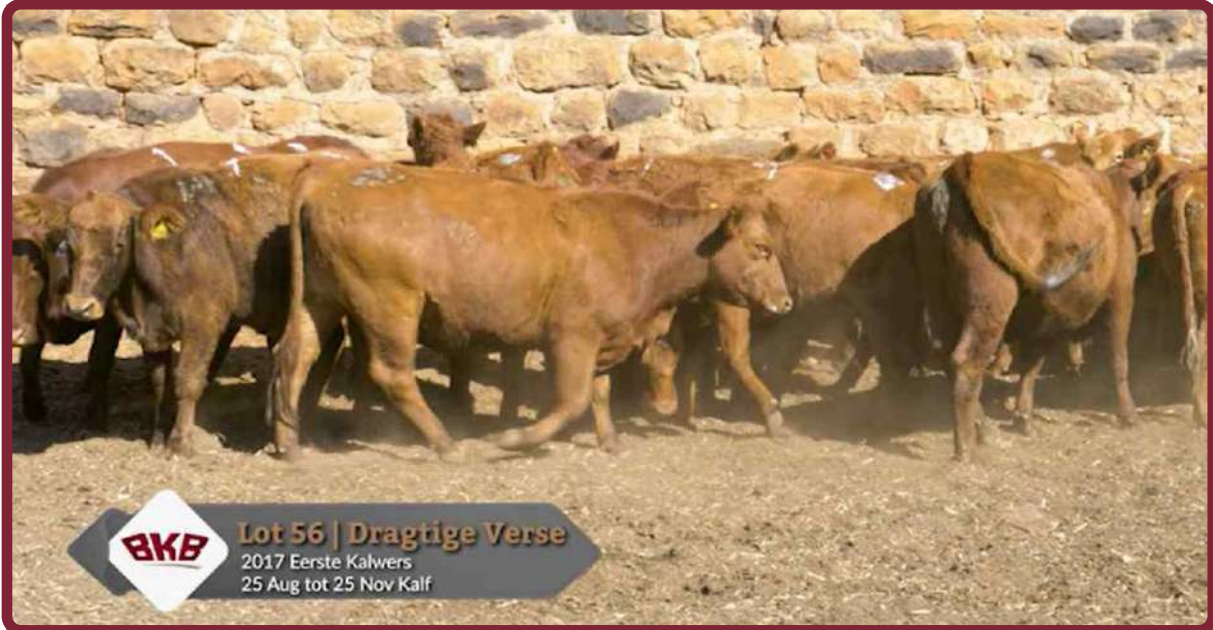


The Trusted Home of Agriculture  
Die Betroubare Tuiste van Landbou

Simulcast Production Auction

# MACLEAR MULTI BREED SALE

Lot 56



[Klik vir video](#)

LOT	SELLER	NUMBER	DESCRIPTION	REMARKS
56	Fairbridge Agri	11	Red Brangus Heifers in calf	



The Trusted Home of Agriculture  
Die Betroubare Tuiste van Landbou

Simulcast Production Auction

# MACLEAR MULTI BREED SALE

Lot 57



[Klik vir video](#)

LOT	SELLER	NUMBER	DESCRIPTION	REMARKS
57	Fairbridge Agri	10	Red Brangus Heifers in calf	



The Trusted Home of Agriculture  
Die Betroubare Tuiste van Landbou

Simulcast Production Auction

# MACLEAR MULTI BREED SALE

Lot 58



[Klik vir video](#)

LOT	SELLER	NUMBER	DESCRIPTION	REMARKS
58	Fairbridge Agri	4	Black Brangus Heifers in calf	



The Trusted Home of Agriculture  
Die Betroubare Tuiste van Landbou

Simulcast Production Auction

# MACLEAR MULTI BREED SALE

Lot 59



[Klik vir video](#)

LOT	SELLER	NUMBER	DESCRIPTION	REMARKS
59	Fairbridge Agri	7	Yellow/ Brindle Brangus Heifers in calf	



The Trusted Home of Agriculture  
Die Betroubare Tuiste van Landbou

Simulcast Production Auction

# MACLEAR MULTI BREED SALE

Lot 60



[Klik vir video](#)

LOT	SELLER	NUMBER	DESCRIPTION	REMARKS
60	Fairbridge Agri	12	Black Brangus Cows in calf	



The Trusted Home of Agriculture  
Die Betroubare Tuiste van Landbou



Simulcast Production Auction

# MACLEAR MULTI BREED SALE

Lot 61



LOT	SELLER	NUMBER	DESCRIPTION	REMARKS
61	Fairbridge Agri	10	Red Brangus Cows in calf	



The Trusted Home of Agriculture  
Die Betroubare Tuiste van Landbou

Simulcast Production Auction

# MACLEAR MULTI BREED SALE

Lot 62



LOT	SELLER	NUMBER	DESCRIPTION	REMARKS
62	Fairbridge Agri	8	Red Brangus Cows in calf	



The Trusted Home of Agriculture  
Die Betroubare Tuiste van Landbou

Simulcast Production Auction

# MACLEAR MULTI BREED SALE

Lot 63



LOT	SELLER	NUMBER	DESCRIPTION	REMARKS
63	Fairbridge Agri	6	Yellow Brangus-Cross Cows in calf	



The Trusted Home of Agriculture  
Die Betroubare Tuiste van Landbou