



Fourie Scheepers

ZINABOS BONSMARA

BULL CATALOGUE



Terms &
Conditions

7 AUG 2020 / 11:00 / VIEW OF BULLS 6 AUG 14:00



CEF - 170442 (LOT 1)



CLICK FOR VIDEO

Lot 1 Geskik vir verse

CE 170442
SPN Mat. 96

CE 100304
SPN Mat. 89

CE 110078
AFC 28 SPN Mat. 105
ICP 383 Age/Calv. 8/6
RI 113 Avg. WI/Calf 102/4

CE 080025
SPN Mat. 120

CE 070151
AFC 31 SPN Mat. 105
ICP 394 Age/Calv. 12/10
Avg. WI/Calf 104/9

AG 070433
SPN Mat. 89

CE 060147
AFC 31 SPN Mat. 110
ICP 387 Age/Calv. 12/10
Avg. WI/Calf 104/9

AG 020251
SPN Mat. 121
CE 020146
SPN Mat. 109
CE 040415
SPN Mat. 92
CE 030096
SPN Mat. 119
VV 040146
SPN Mat. 69
AG 030204
SPN Mat. 101
CE 030447
SPN Mat. 98
CE 030024
SPN Mat. 118

Lot	Seller	ID	PARENTS	Test	DIRECT CALF TRAITS		DAUGHTER TRAITS			GROWTH		EFF.	REP	MEASURE-MENTS			R:	Semen	Users	Breeder Own Remarks		
					Progeny Birth Weight	Progeny Wean Weight	Ease of Calving	Milk prod.	Mature Weight	Post Wean Weight	Daily Gain			Feed Conv	Height & Length							
					Breeding Value Indexes																	
Lot	Seller	ID	SIRE GV PV	DAM GV PV	Genomic Tested DNA	Birth Dir	Wean Dir		Birth Mat	Wean Mat	Mat Wgt	Post Wean	ADG	FCR	SC	Hgt	Lgt	LHR	Semen	Users	Breeder Own Remarks	
						Acc	Acc	Ind	kg	kg	kg	365d Ind	540d Ind	Ind	Ind	(mm)	(mm)	(mm)				BWR
1	P.F. SCHEEPERS	CEF 170442	GT	SP	08.08.17	105	107		113	96	112	104	120	106	99	104	107	1.21			Gesik vir verse	
						0.53	16.7		-0.78	2.6	23.0	24.9	189	-60	9.2	5	24	5.14				
						78	74		81	62	57	65	69	44	76	77	75					
						32	246	101				125		345	1203	1461	39.3					



CEF - 160574 (LOT 2)



CLICK FOR VIDEO

Lot 2 Geskik vir verse, Behou 1 mede eienaarskap

CEF 160574
SPN Mat. 81

CEF 130317
SPN Mat. 64

CEF 130113
AFC 38 ICP 347 RI 105
SPN Mat. 96 Age/Calv. 6/4 Avg. Wt/Calf 100/4

CEF 110301
SPN Mat. 70

CEF 100161
AFC 30 ICP 369
SPN Mat. 100 Age/Calv. 10/8 Avg. Wt/Calf 104/6

BP 090012
SPN Mat. 107

CEF 070142
AFC 32 ICP 417
SPN Mat. 85 Age/Calv. 6/4 Avg. Wt/Calf 95/4

CEF 080338
SPN Mat. 90

CEF 080218
SPN Mat. 92

HOT 060054
SPN Mat. 114

CEF 020218
SPN Mat. 76

BP 060021
SPN Mat. 91

BP 060012
SPN Mat. 129

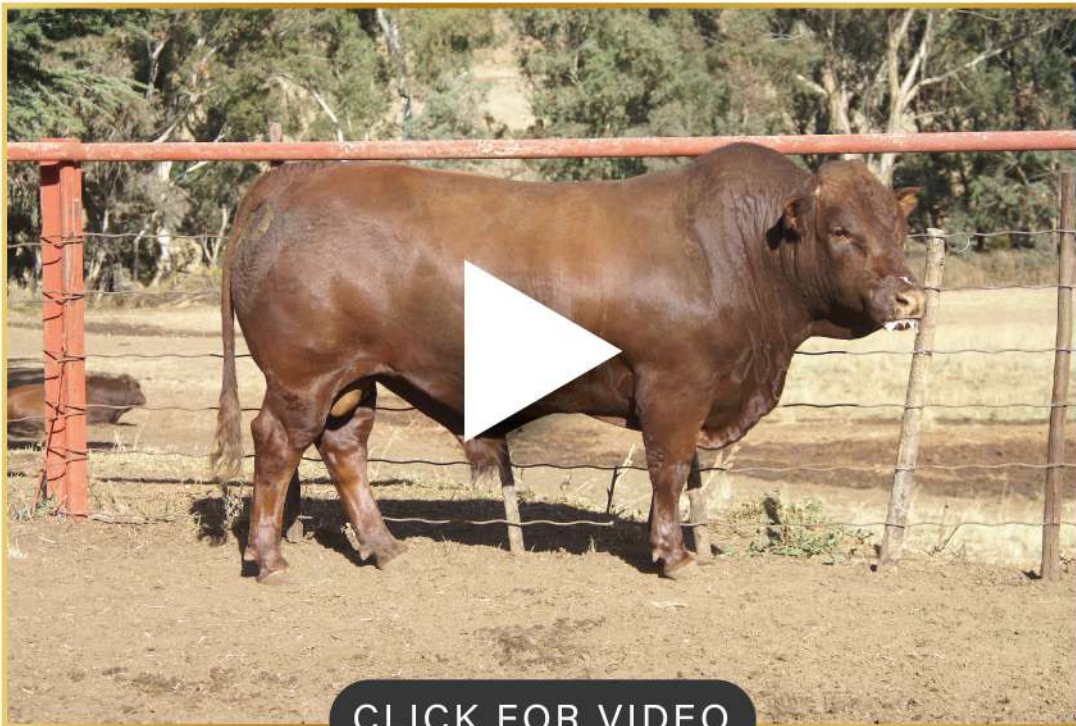
CEF 040415
SPN Mat. 92

CEF 030086
SPN Mat. 94

Lot	Seller	ID POLLED Gen	PARENTS		Test Genomic Tested DNA Birth Date	DIRECT CALF TRAITS		DAUGHTER TRAITS			GROWTH		EFF.	REP	MEASURE-MENTS			R:	Semen Users	Breeder Own Remarks
			SIRE GV PV	DAM GV PV		Progeny Birth Weight	Progeny Wean Weight	Ease of Calving	Milk prod.	Mature Weight	Post Wean Weight	Daily Gain			Feed Conv	Height & Length				
			Breeding Value Indexes					Birth Dir	Wean Dir	Birth Mat	Wean Mat	Mat Wgt	Post Wean	ADG	FCR	SC	Hgt	Lgt		
2	P.F. SCHEEPERS	CEF 160574 SP	CEF 130317 GT	CEF 130113	DNA 14.10.16	114 -0.44 91 42	107 16.6 83 256 100	105 -0.40 54	81 -1.5 61	100 10.0 47	112 30.2 62	113 158 70	95 -36 35	127 31.1 77	102 3 78	116 36 76	1.2 9.74		Geskik vir verse, Behou 1 mede eienaarskap	



CEF - 170550 (LOT 3)



[CLICK FOR VIDEO](#)



Lot	Seller	ID	PARENTS	Test	DIRECT CALF TRAITS		DAUGHTER TRAITS			GROWTH		EFF.	REP	MEASURE-MENTS			R:	Semen Users	Breeder Own Remarks		
					Progeny Birth Weight	Progeny Wean Weight	Ease of Calving	Milk prod.	Mature Weight	Post Wean Weight	Daily Gain			Feed Conv	Height & Length						
					Breeding Value Indexes																
Lot	Seller	ID	SIRE GV PV	DAM GV PV	Genomic Tested DNA	Birth Dir		Wean Dir		Birth Mat	Wean Mat	Mat Wgt	Post Wean	ADG	FCR	SC	Hgt	Lgt	LHR	Semen Users	Breeder Own Remarks
						Acc	Acc	Acc	Acc	Acc	Acc	Acc	Acc	Acc	Acc	Acc	Acc	Acc	Acc		
					Birth Date	Wgt kg	Wgt kg	Ind	kg	kg	kg	365d Ind	540d Ind	Ind	Ind	(mm)	(mm)	(mm)			
3	P.F. SCHEEPERS	CE 170550	CE 150515	GT		93	123	122	84	123	123	117	101	112	117	122	1.24				
					1.78	24.0	-1.18	-0.7	36.0	37.9	174	-49	19.5	16	45	8.35					
		SP	CE 130139	15.09.17	75	71	49	52	45	56	65	26	73	75	72						
						33	253	124				108	-	343	1183	1463	51.5				




CEF - 150486 (LOT 4)



[CLICK FOR VIDEO](#)

Lot 4 Behou 1 mede eienaarskap

CEF 150486
SPN Mat. 98



CEF 100304
SPN Mat. 89

CEF 070046
AFC 29 SPN Mat. 112
ICP 369 Age/Calv. 12/10
RI 114 Avg. Wt/Calf 99/9

CEF 080025
SPN Mat. 120

CEF 070151
AFC 31 SPN Mat. 105
ICP 394 Age/Calv. 12/10
 Avg. Wt/Calf 104/9

CEF 050355
SPN Mat. 79

CEF 020180
AFC 31 SPN Mat. 129
ICP 375 Age/Calv. 8/6
 Avg. Wt/Calf 112/6

AG 020251
SPN Mat. 121
CEF 020146
SPN Mat. 109
CEF 040415
SPN Mat. 92
CEF 030096
SPN Mat. 119
CEF 030309
SPN Mat. 66
CEF 020044
SPN Mat. 71

SPN Mat. **JPL 000105 P**
SPN Mat. 72

Lot	Seller	ID	PARENTS	Test	DIRECT CALF TRAITS		DAUGHTER TRAITS			GROWTH		EFF.	REP	MEASURE-MENTS			R:	Breeder Own Remarks
					Progeny Birth Weight	Progeny Wean Weight	Ease of Calving	Milk prod.	Mature Weight	Post Wean Weight	Daily Gain			Feed Conv	Height & Length			
					Breeding Value Indexes											Semen Users	Breeder Own Remarks	
Lot	Seller	ID	PARENTS	Test	Birth Dir	Wean Dir	Birth Mat	Wean Mat	Mat Wgt	Post Wean	ADG	FCR	SC	Hgt	Lgt			LHR
					Acc	Acc	Acc	Acc	Acc	Acc	Acc	Acc	Acc	Acc	Acc			Acc
		Gen	DAM GV PV	Birth Date	Wgt kg	Wgt kg	Ind	kg	kg	kg	365d Ind	540d Ind	Ind	(mm)	(mm)	(mm)	WWR	
4	P.F. SCHEEPERS	CEF 150486	CEF 100304 <input checked="" type="checkbox"/>	GT	113	92		96	98	101	89	105	104	96	100	103	1.21	Behou 1 mede eienaarskap
			CEF 070046	DNA	-0.35	9.8		-0.02	3.2	11.0	14.1	120	-55	6.2	1	19	5.79	
		SP		29.08.15	94	92		63	68	58	74	78	48	83	83	81	38.9	
					35	266	101				-		-	357	1179	1428		



CEF - 170568 (LOT 7)



CLICK FOR VIDEO

Lot 7 Geskik vir verse

CEF 170568
SPN Mat. 81

CEF 130317
SPN Mat. 64

CEF 110301
SPN Mat. 70

CEF 100161
OEK 30 SPN Mat. 100
TKP 369 Oud/Kalw. 10/8
Gem. SI/Kalf 104/6

AG 070480
SPN Mat. 111

CEF 110090
OEK 28 SPN Mat. 104
TKP 368 Oud/Kalw. 8/7
RI 115 Gem. SI/Kalf 106/7

CEF 040125
OEK 31 SPN Mat. 76
TKP 367 Oud/Kalw. 11/9
Gem. SI/Kalf 93/8

CEF 080338
SPN Mat. 90

CEF 080218
SPN Mat. 92

HOT 060054
SPN Mat. 114

CEF 020218
SPN Mat. 76

AG 020251
SPN Mat. 121

BZ 010192
SPN Mat. 110

CEF 010357
SPN Mat. 42

CEF 930083
SPN Mat. 117

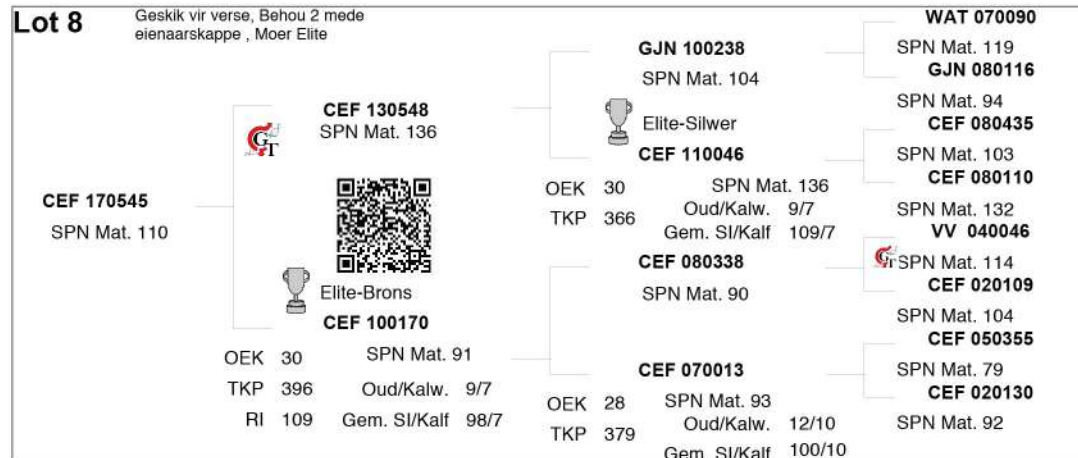
Lot	Seller	ID	PARENTS	Test	DIRECT CALF TRAITS		DAUGHTER TRAITS			GROWTH		EFF.	REP	MEASUREMENTS			R:	Semens	Users	Breeder Own Remarks	
					Progeny Birth Weight	Progeny Wean Weight	Ease of Calving	Milk prod.	Mature Weight	Post Wean Weight	Daily Gain			Feed Conv	Height & Length						
					Breeding Value Indexes																
Lot	Seller	ID	SIRE GV PV	DAM GV PV	Genomic Tested DNA	Birth Dir	Wean Dir		Birth Mat	Wean Mat	Mat Wgt	Post Wean	ADG	FCR	SC	Hgt	Lgt	LHR	Semens	Users	Breeder Own Remarks
						Acc	Acc	Ind	kg	kg	kg	Acc	Acc	Acc	Acc	Acc	Acc	Acc			
					Birth Date	Wgt kg	Wgt kg	Ind	kg	kg	kg	365d Ind	540d Ind	Ind	Ind	(mm)	(mm)	(mm)			
7	P.F. SCHEEPERS	CEF 170568	CEF 130317	GT		109	115	105	81	106	109	109	101	129	93	109	1.22			Gesik vir verse	
					0.07	20.1	-0.42	-1.4	17.0	28.3	140	-48	32.7	-4	27	6.63					
		CEF 110090	26.09.17	78	74	56	61	50	62	68	35	75	77	74							
		SP				38	255	122					98		375	1138	1389	46.5			



CEF - 170545 (LOT 8)



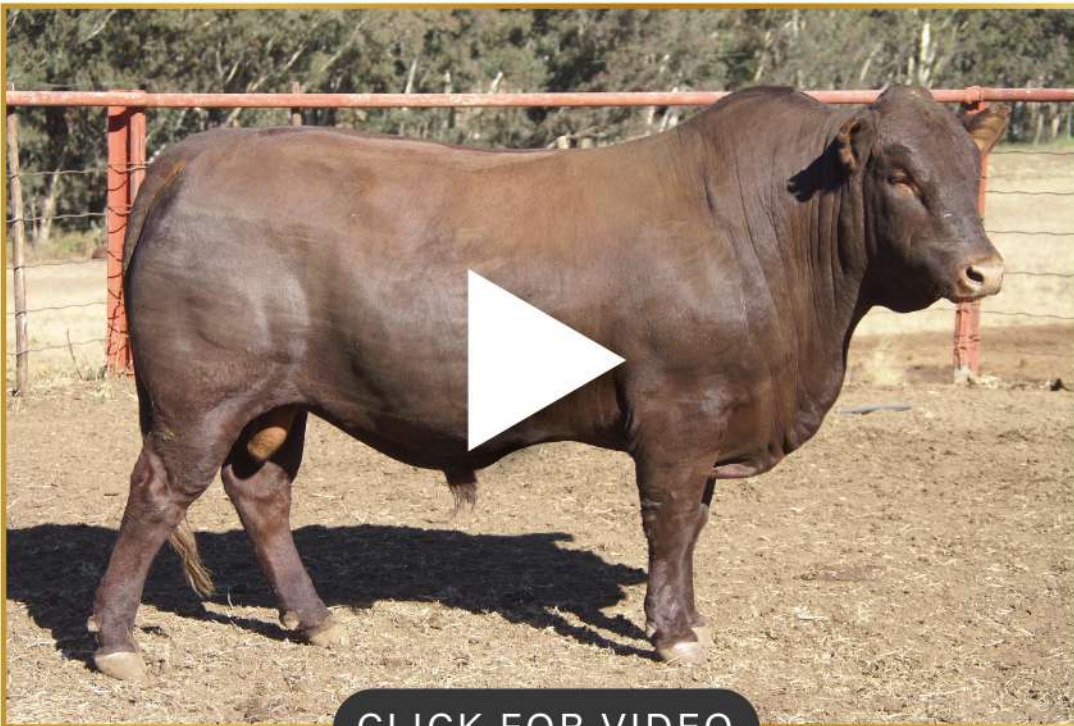
CLICK FOR VIDEO



Lot	Seller	ID	PARENTS	Test	DIRECT CALF TRAITS		DAUGHTER TRAITS			GROWTH		EFF.	REP	MEASURE-MENTS			R:	Semen Users	Breeder Own Remarks	
					Progeny Birth Weight	Progeny Wean Weight	Ease of Calving	Milk prod.	Mature Weight	Post Wean Weight	Daily Gain			Feed Conv	Height & Length					
					Breeding Value Indexes															
Lot	Seller	ID	SIRE GV PV	DAM GV PV	Genomic Tested DNA	Birth Dir	Wean Dir	Birth Mat	Wean Mat	Mat Wgt	Post Wean	ADG	FCR	SC	Hgt	Lgt	LHR	Semen Users	Breeder Own Remarks	
						Acc	Acc	Acc	Acc	Acc	Acc	Acc	Acc	Acc	Acc	Acc	Acc			Acc
					Birth Date	Wgt kg	Wgt kg	Ind	kg	kg	kg	365d Ind	540d Ind	Ind	Ind	(mm)	(mm)	(mm)		
8	P.F. SCHEEPERS	CEF 170545	CEF 130548	GT		118	116	106	110	107	117	115	102	106	96	115	1.25		Geskik vir verse, Behou 2 mede eienaarskappe , Moer Elite	
			CEF 110046	Elite-Silwer		-0.86	20.7	-0.47	6.7	18.0	33.4	169	-51	14.6	-2	35	5.77			
		CEF 100170	DNS		79	74	55	59	47	60	69	24	76	77	74					
		SP			13.09.17	33	273	113					111	-	359	1159	1451	44.8		



CEF - 170569 (LOT 9)



[CLICK FOR VIDEO](#)

Lot 9

CEF 170569
SPN Mat. 88

CEF 150565
SPN Mat. 97

CEF 150092
OEK 30 SPN Mat. 83
TKP 389 Oud/Kalw. 5/3
RI 111 Gem. SI/Kalf 108/3

CEF 120399
SPN Mat. 105

Elite-Brons
CEF 100170
OEK 30 SPN Mat. 91
TKP 396 Oud/Kalw. 9/7
Gem. SI/Kalf 98/7
ADV 100068
SPN Mat. 45

CEF 100171
OEK 30 SPN Mat. 95
TKP 363 Oud/Kalw. 9/8
Gem. SI/Kalf 100/7

WAT 080080
SPN Mat. 67
CEF 040019
SPN Mat. 122
CEF 080338
SPN Mat. 90
CEF 070013
SPN Mat. 93
SYF 070036
SPN Mat. 74
ADV 070142
SPN Mat. 51
CEF 070468
SPN Mat. 93
CEF 050127
SPN Mat. 90

Lot	Seller	ID	PARENTS	Test	DIRECT CALF TRAITS		DAUGHTER TRAITS			GROWTH		EFF.	REP	MEASURE-MENTS			R:	Semen Users	Breeder Own Remarks												
					Progeny Birth Weight	Progeny Wean Weight	Ease of Calving	Milk prod.	Mature Weight	Post Wean Weight	Daily Gain			Feed Conv	Height & Length																
					Breeding Value Indexes																										
Lot	Seller	ID	SIRE GV PV	DAM GV PV	Genomic Tested DNA	Birth Dir Acc	Wean Dir			Birth Mat Acc	Wean Mat Acc	Mat Wgt Acc	Post Wean Acc	ADG Acc	FCR Acc	SC Acc	Hgt Acc	Lgt Acc	LHR	BWR	WWR										
							Wgt kg	Wgt kg	Ind													kg	kg	kg	365d Ind	540d Ind	Ind	Ind	(mm)	(mm)	(mm)
9	P.F. SCHEEPERS	CEF 170569	GT	SP	24.09.17	99	107			113	88	101	111	111	105	97	122	112	1.17												
							1.18	16.5														-0.76	0.6	11.0	29.8	148	-57	7.3	19	31	8.14
							75	69														47	48	41	54	65	24	73	75	72	61.2
					31	248	112					-	95	-	315	1187	1388	61.2													



CEF - 170458 (LOT 10)




[CLICK FOR VIDEO](#)

Lot 10 Geskik vir verse, Behou 1 mede eienaarskap

CEF 170458
SPN Mat. 106

CEF 100304
SPN Mat. 89



CEF 120136
SPN Mat. 121

OEK 31 SPN Mat. 121
TKP 401 Oud/Kalw. 7/5
RI 107 Gem. SI/Kalf 104/4

CEF 080025
SPN Mat. 120

CEF 070151
SPN Mat. 105

OEK 31 SPN Mat. 105
TKP 394 Oud/Kalw. 12/10
 Gem. SI/Kalf 104/9

NPT 070170
SPN Mat. 72

CEF 070141
SPN Mat. 126

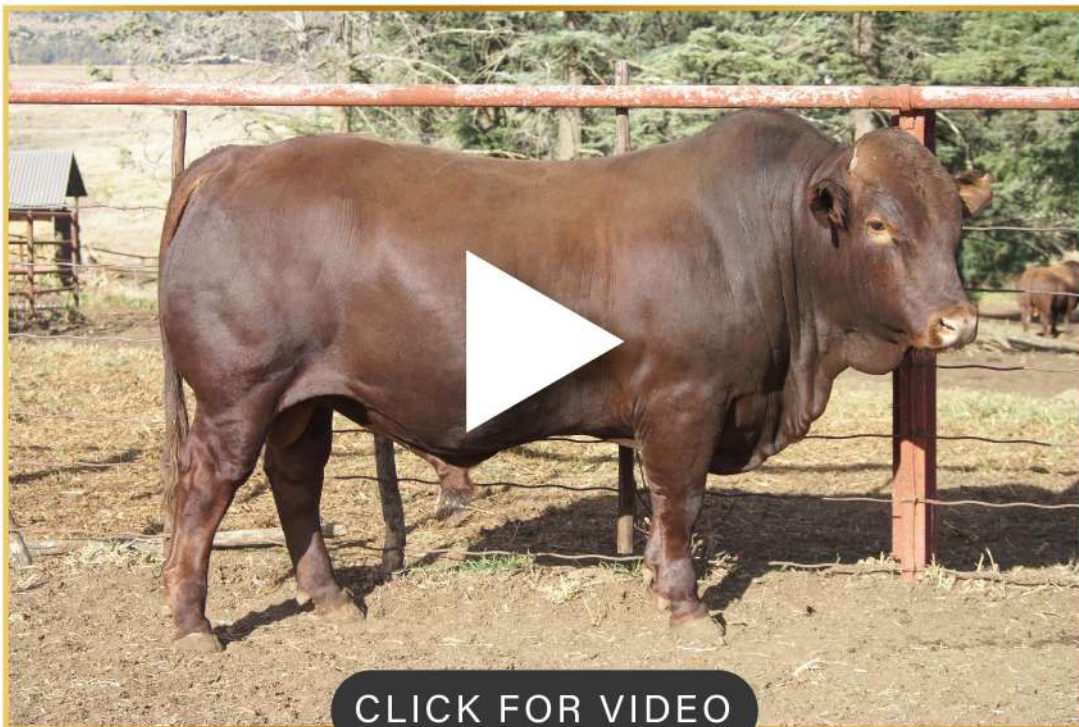
OEK 32 SPN Mat. 126
TKP 390 Oud/Kalw. 9/7
 Gem. SI/Kalf 105/6

AG 020251
SPN Mat. 121
CEF 020146
SPN Mat. 109
CEF 040415
SPN Mat. 92
CEF 030096
SPN Mat. 119
NPT 040187
SPN Mat. 115
NPT 050053
SPN Mat. 99
CEF 030401
SPN Mat. 105
CEF 030100
SPN Mat. 100

Lot	Seller	ID	PARENTS	Test	Breeding Value Indexes										LHR	BWR	WWR	Semen	Users	Breeder Own Remarks		
					DIRECT CALF TRAITS		DAUGHTER TRAITS			GROWTH		EFF.	REP	MEASUREMENTS							R:	
		POLLED	SIRE GV PV	Genomic Tested DNA	Birth Dir Acc	Progeny Birth Weight	Progeny Wean Weight	Wean Dir Acc	Ease of Calving	Milk prod.	Mature Weight	Post Wean Weight Acc	ADG Acc	FCR Acc	SC Acc	Hgt Acc	Lgt Acc					
		Gen	DAM GV PV	Birth Date	Wgt kg	Wgt kg	Ind	kg	kg	kg	365d Ind	540d Ind	Ind	Ind	(mm)	(mm)	(mm)					
10	P.F. SCHEEPERS	CEF 170458	CEF 100304	GT	110	100		94	106	104	98	112	103	91	99	105	1.21					
					-0.03	13.2		0.06	5.5	14.0	20.3	153	-54	2.6	1	21	7.63					
		SP	CEF 120136	17.08.17	77	73		61	62	55	65	70	45	76	77	75						
					38	245	98				-		110	-	317	1207	1456	47.1				
																					Geskik vir verse, Behou 1 mede eienaarskap	

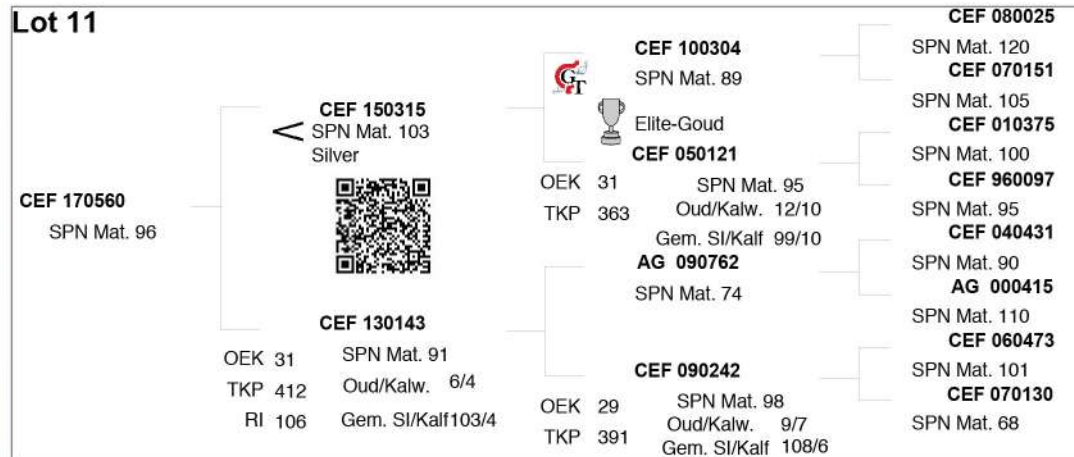


CEF - 170560 (LOT 11)



CLICK FOR VIDEO

Lot 11



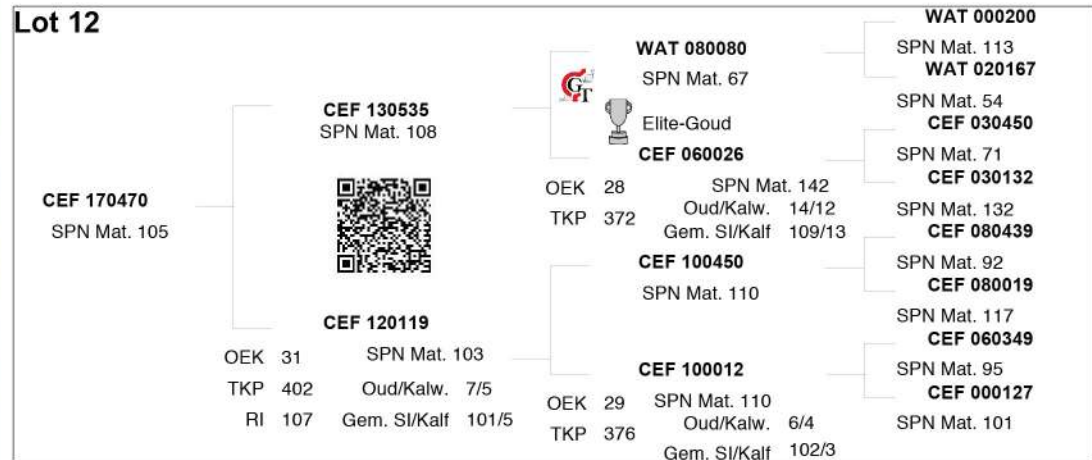
Lot	Seller	ID POLLED Gen	PARENTS		Test	DIRECT CALF TRAITS					DAUGHTER TRAITS			GROWTH		EFF.	REP	MEASURE-MENTS			R:	Semen Users	Breeder Own Remarks				
			SIRE GV PV	DAM GV PV		Progeny Birth Weight	Progeny Wean Weight	Ease of Calving	Milk prod.	Mature Weight	Post Wean Weight	Daily Gain	Feed Conv	Height & Length													
			Genomic Tested DNA	Birth Date	Birth Dir Acc	Wean Dir Acc	Birth Mat Acc	Wean Mat Acc	Mat Wgt Acc	Post Wean Acc	ADG Acc	FCR Acc	SC Acc	Hgt Acc	Lgt Acc	LHR BWR WWR											
11	P.F. SCHEEPERS	CEF 170560 SP	CEF 150315 CEF 130143	GT	Breeding Value Indexes					365d Ind	540d Ind	Ind	Ind	(mm)	(mm)	(mm)	1.21	6.16	44.7								
					89	117	111	96	117													116	118	113	104	99	110
					2.18	21.3	-0.69	2.8	29.0													33.0	179	-74	12.5	1	28
				20.09.17	77	72	50	54	45	58	66	38	74	76	73												
					34	254	104				103	-	353	1145	1386												



CEF - 170470 (LOT 12)



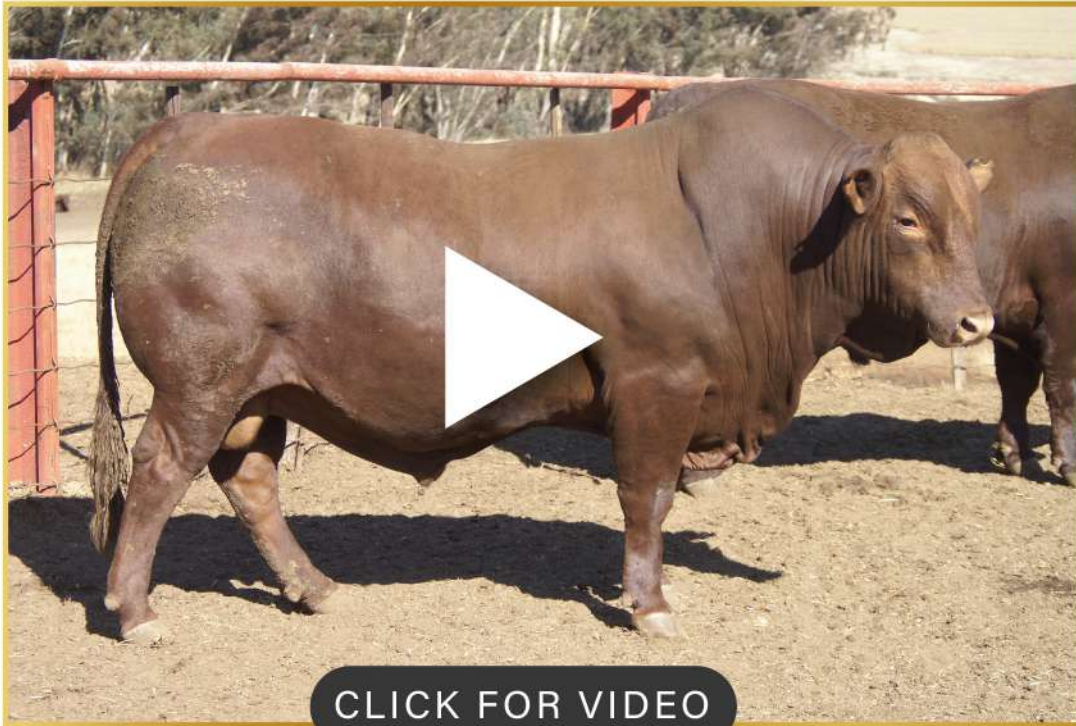
CLICK FOR VIDEO



Lot	Seller	ID POLLED Gen	PARENTS		Test	Breeding Value Indexes										LHR BWR WWR	Semen Users	Breeder Own Remarks	
			SIRE GV PV	DAM GV PV		DIRECT CALF TRAITS		DAUGHTER TRAITS			GROWTH		EFF.	REP	MEASURE- MENTS				R:
				Genomic Tested	Progeny Birth Weight	Progeny Wean Weight	Ease of Calving	Milk prod.	Mature Weight	Post Wean Weight	Daily Gain	Feed Conv		Height & Length					
				DNA	Acc	Acc	Acc	Acc	Acc	Acc	Acc	Acc	Acc	Acc	Acc	Acc			
				Birth Date	Wgt kg	Wgt kg	Ind	kg	kg	kg	365d Ind	540d Ind	Ind	Ind	(mm)	(mm)	(mm)		
12	P.F. SCHEEPERS	CEF 170470	CEF 130535	GT	85	101	82	105	111	101	92	96	91	71	88	1.25			
			<input checked="" type="checkbox"/>		2.60	13.9	0.63	5.3	22.0	22.6	57	-38	2.2	-23	-2	7.31			
		CEF 120119	DNS	76	72	48	52	42	58	65	19	74	75	72					
		SP		20.08.17	38	213	99						98		347	1091	1359	37.9	



CEF - 170475 (LOT 13)



[CLICK FOR VIDEO](#)

Lot 13 Geskik vir verse, Behou 1 mede eienaarskap

CEF 170475 SPN Mat. 102

CEF 150565 SPN Mat. 97

CEF 150073
 AFC 29 SPN Mat. 107
 ICP 469 Age/Calv. 5/3
 RI 104 Avg. WI/Calf 107/2

CEF 120399 SPN Mat. 105
 Elite-Bronze
CEF 100170
 AFC 30 SPN Mat. 91
 ICP 396 Age/Calv. 9/7
 Avg. WI/Calf 98/7

CEF 120399 SPN Mat. 105
CEF 110227
 AFC 28 SPN Mat. 108
 ICP 374 Age/Calv. 4/3
 Avg. WI/Calf 105/2

WAT 080080
 SPN Mat. 67
CEF 040019
 SPN Mat. 122
CEF 080338
 SPN Mat. 90
CEF 070013
 SPN Mat. 93
WAT 080080
 SPN Mat. 67
CEF 040019
 SPN Mat. 122
CEF 090485
 SPN Mat. 104
CEF 080037
 SPN Mat. 103

Lot	Seller	ID	PARENTS	Test	DIRECT CALF TRAITS		DAUGHTER TRAITS			GROWTH		EFF.	REP	MEASURE-MENTS			R:	Semens Users	Breeder Own Remarks		
					Progeny Birth Weight	Progeny Wean Weight	Ease of Calving	Milk prod.	Mature Weight	Post Wean Weight	Daily Gain			Feed Conv	Height & Length						
					Breeding Value Indexes																
Lot	Seller	ID	SIRE GV PV	DAM GV PV	Genomic Tested DNA	Birth Dir	Wean Dir		Birth Mat	Wean Mat	Mat Wgt	Post Wean	ADG	FCR	SC	Hgt	Lgt	LHR	Semens Users	Breeder Own Remarks	
						Acc	Acc	Acc	Acc	Acc	365d Ind	540d Ind	Ind	Ind	(mm)	(mm)	(mm)	BWR			WWR
					Birth Date	Wgt kg	Wgt kg	Ind	kg	kg	kg	365d Ind	540d Ind	Ind	(mm)	(mm)	(mm)				
13	P.F. SCHEEPERS	CEF 170475 SP	CEF 150565 GT	CEF 150073	DNA 20.08.17	110	109	85	102	104	124	125	102	114	125	121	1.23		Geskik vir verse, Behou 1 mede eienaarskap		
						-0.01	17.6	0.51	4.3	14.0	38.2	212	-50	20.6	22	44	6.73				
						74	69	45	47	40	52	63	20	73	74	71					
						30	241	109				-		135	-	343	1151	1419	49.4		



CEF - 170481 (LOT 14)



CLICK FOR VIDEO

Lot 14 Behou 1 mede eienaarskap

CEF 170481
SPN Mat. 100

CEF 150460
SPN Mat. 106

CEF 120367
SPN Mat. 99

CEF 100062
AFC 30 SPN Mat. 103
ICP 355 Age/Calv. 6/5
Avg. Wt/Calv 93/5

AG 100194
SPN Mat. 69

CEF 140051
AFC 29 SPN Mat. 104
ICP 378 Age/Calv. 6/4
RI 112 Avg. Wt/Calv 110/3

AG 070433
SPN Mat. 89
CEF 080218
SPN Mat. 92
VV 040323
SPN Mat. 134
CEF 030186
SPN Mat. 82
WBB 070012
SPN Mat. 93
AG 070326
SPN Mat. 91

Elite-Gold
CEF 090225
AFC 30 SPN Mat. 110
ICP 364 Age/Calv. 10/9
Avg. Wt/Calv 102/9

AG 060089
SPN Mat. 119

Lot	Seller	ID	PARENTS	Test	DIRECT CALF TRAITS		DAUGHTER TRAITS			GROWTH		EFF.	REP	MEASURE-MENTS			R:	Semen	Users	Breeder Own Remarks		
					Progeny Birth Weight	Progeny Wean Weight	Ease of Calving	Milk prod.	Mature Weight	Post Wean Weight	Daily Gain			Feed Conv	Height & Length							
					Breeding Value Indexes																	
Lot	Seller	ID	SIRE GV PV	DAM GV PV	Genomic Tested DNA	Birth Dir	Wean Dir	Birth Mat	Wean Mat	Mat Wgt	Post Wean	ADG	FCR	SC	Hgt	Lgt	LHR	Semen	Users	Breeder Own Remarks		
						Acc	Acc	Acc	Acc	Acc	Acc	Acc	Acc	Acc	Acc	Acc	Acc				Acc	Acc
					Birth Date	Wgt kg	Wgt kg	Ind	kg	kg	kg	365d Ind	540d Ind	Ind	Ind	(mm)	(mm)	(mm)				
14	P.F. SCHEEPERS	CEF 170481	CEF 150460	GT		88	130	111	100	127	127	127	114	120	106	117	1.23			Behou 1 mede eienaarskap		
						2.28	27.0	-0.71	3.8	40.0	40.5	220	-76	25.6	7	38	6.97					
		75	69	48	50	44	52	64	20	73	75	71										
		SP	CEF 140051			22.08.17	35	295	116			101		345	1169	1439	60.7					



CEF - 170563 (LOT 15)



CLICK FOR VIDEO

Lot 15 Geskik vir verse

CEF 170563
SPN Mat. 93

CEF 130317
SPN Mat. 64

CEF 120076
AFC 28 SPN Mat. 121
ICP 379 Age/Calv. 6/5
RI 114 Avg. WI/Calf 107/5

CEF 110301
SPN Mat. 70

CEF 100161
AFC 30 SPN Mat. 100
ICP 369 Age/Calv. 10/8
Avg. WI/Calf 104/6

CEF 090457
SPN Mat. 107

CEF 050109
AFC 30 SPN Mat. 112
ICP 505 Age/Calv. 7/4
Avg. WI/Calf 101/3

CEF 080338
SPN Mat. 90

CEF 080218
SPN Mat. 92

HOT 060054
SPN Mat. 114

CEF 020218
SPN Mat. 76

CEF 070382
SPN Mat. 76

CEF 030177
SPN Mat. 123

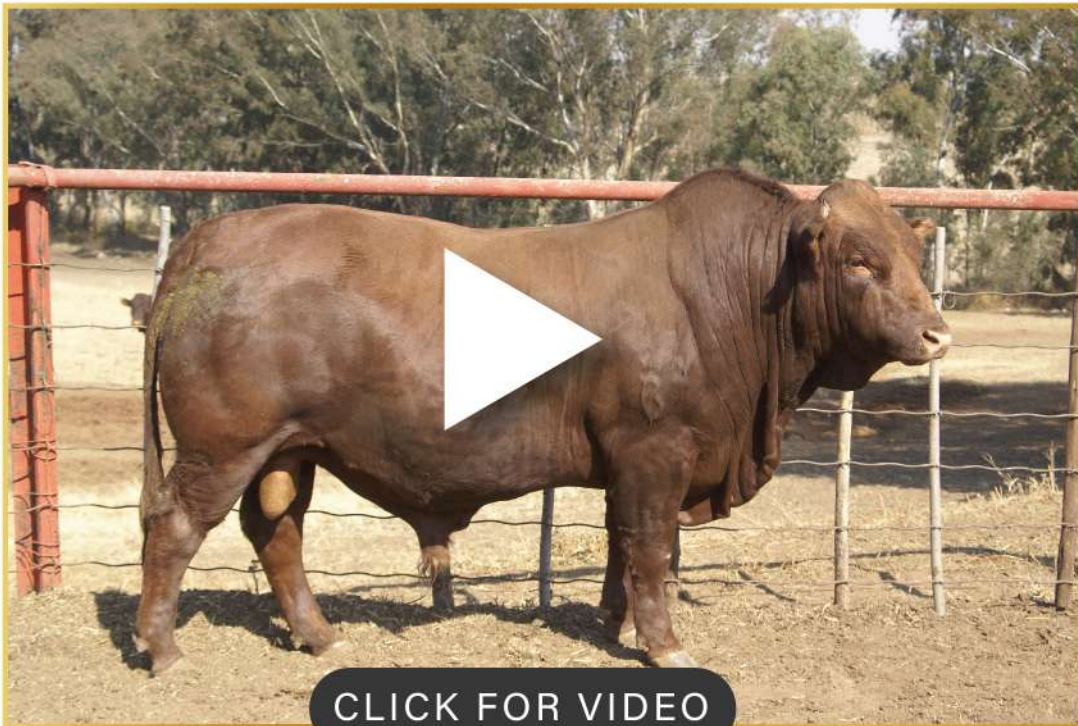
CEF 030387
SPN Mat. 106

CEF 030041
SPN Mat. 96

Lot	Seller	ID POLLED Gen	PARENTS		Test	Breeding Value Indexes										LHR BWR WWR	Semen Users	Breeder Own Remarks		
			SIRE GV PV	DAM GV PV		DIRECT CALF TRAITS		DAUGHTER TRAITS			GROWTH		EFF.	REP	MEASURE- MENTS				R:	
			Genomic Tested DNA	Birth Date	Progeny Birth Weight	Progeny Wean Weight	Ease of Calving	Milk prod.	Mature Weight	Post Wean Weight	Daily Gain	Feed Conv		Height & Length						
15	P.F. SCHEEPERS	CEF 170563	CEF 130317	GT	102	121	115	93	110	127	131	109	131	121	131	1.24	Geskik vir verse			
					0.77	22.9	-0.86	2.0	21.0	40.4	242	-65	34.3	19	57	7.06				
		CEF 120076	22.09.17	77	73	53	59	47	58	68	34	75	77	74						
		SP			36	260	100						103		348	1206	1497	49.2		



CEF - 180354 (LOT 16)



CLICK FOR VIDEO

Lot 16 Geskik vir verse

CEF 180354
SPN Mat. 109

CEF 160326
SPN Mat. 122

CEF 150144
AFC 32 ICP 409 RI 105
SPN Mat. 106
Age/Calv. 4/2
Avg. Wt/Calf 114/2

CEF 130548
SPN Mat. 136

CEF 130065
AFC 35 ICP
SPN Mat. 117
Age/Calv. 3/1
Avg. Wt/Calf 113/1

CEF 130560
SPN Mat. 109

CEF 130054
AFC 28 ICP 366
SPN Mat. 73
Age/Calv. 6/5
Avg. Wt/Calf 96/5

GJN 100238
SPN Mat. 104
CEF 110046
SPN Mat. 136
AG 070480
SPN Mat. 111
CEF 050009
SPN Mat. 93
CEF 110301
SPN Mat. 70
CEF 100012
SPN Mat. 110
WAT 080080
SPN Mat. 67
CEF 090222
SPN Mat. 81

Lot	Seller	ID	PARENTS	Test	DIRECT CALF TRAITS		DAUGHTER TRAITS			GROWTH		EFF.	REP	MEASURE-MENTS			R:	Semen Users	Breeder Own Remarks		
					Progeny Birth Weight	Progeny Wean Weight	Ease of Calving	Milk prod.	Mature Weight	Post Wean Weight	Daily Gain			Feed Conv	Height & Length						
					Breeding Value Indexes																
Lot	Seller	ID	SIRE GV PV	DAM GV PV	Genomic Tested DNA	Birth Dir	Wean Dir		Birth Mat	Wean Mat	Mat Wgt	Post Wean	ADG	FCR	SC	Hgt	Lgt	LHR	BWR	WWR	Breeder Own Remarks
						Acc	Acc	Acc	Acc	Acc	365d Ind	540d Ind	Ind	Ind	(mm)	(mm)	(mm)				
16	P.F. SCHEEPERS	CEF 180354	CEF 160326	GT		112	117		93	109	118	120	119	110	110	117	113	1.16			Gesik vir verse
		SP	CEF 150144	DNA	02.04.18	-0.24 75	20.9 70	0.13 40	6.4 46	30.0 38	35.8 50	186 64	-67 16	17.5 73	16 75	33 71	5.83				
						30	276	120				-	110	-	358	1219	1419	52.9			

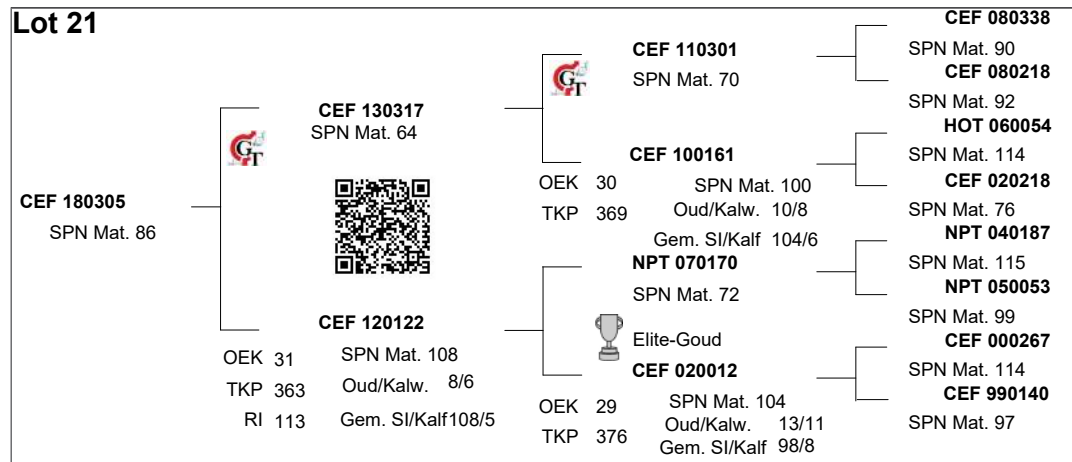


CEF - 180305 (LOT 21)



KLIK VIR VIDEO

Lot 21



Lot	Seller	ID	PARENTS	Test	DIRECT CALF TRAITS					DAUGHTER TRAITS			GROWTH		EFF.	REP	MEASURE-MENTS			R:	Semen Users	Breeder Own Remarks
					SIRE GV PV	DAM GV PV	Genomic Tested DNA	Birth Dir Acc	Progeny Wean Weight		Ease of Calving	Milk prod.	Mature Weight	Post Wean Weight			Daily Gain	Feed Conv	Height & Length			
									Wgt kg	Wgt kg												
21	P.F. SCHEEPERS	CEF 180305	CEF 130317	GT	101	126	95	86	118	133	130	102	144	122	130	1.22						
					0.89	25.2	0.04	-0.2	30.0	45.1	237	-51	44.7	20	57	7.12						
		SP	CEF 120122	06.03.18	78	74	56	60	50	62	69	36	76	77	74							
					39	245	110			-	119	-	394	1217	1484	45.7						

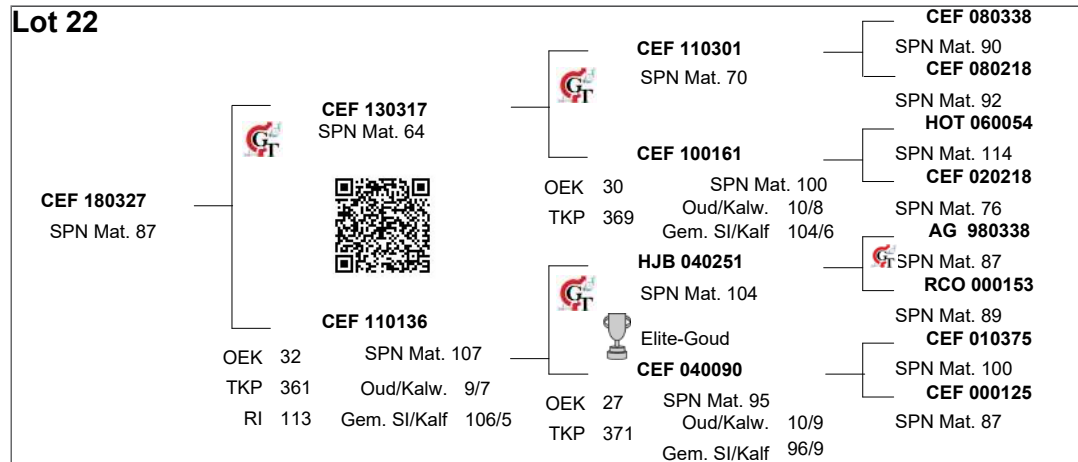


CEF - 180327 (LOT 22)



KLIK VIR VIDEO

Lot 22



Lot	Seller	ID	PARENTS	Test	DIRECT CALF TRAITS					DAUGHTER TRAITS			GROWTH		EFF.	REP	MEASURE-MENTS			R:	Semen	Users	Breeder Own Remarks
					SIRE GV PV	DAM GV PV	Genomic Tested DNA	Birth Dir Acc	Progeny Wean Weight		Ease of Calving	Milk prod.	Mature Weight	Post Wean Weight			Daily Gain	Feed Conv	Height & Length				
									Birth Date	Wgt kg													
22	P.F. SCHEEPERS	CEF 180327	GT	SP	23.03.18	83	131	108	87	121	134	126	111	134	103	116	1.22						
						2.87	27.6	-0.55	0.2	33.0	45.9	218	-69	36.6	4	36	7.37						
						78	74	56	60	48	62	69	39	76	77	74							
					44	253	111				-		109	-	382	1195	1453	44.7					



CEF - 180390 (LOT 23)



KLIK VIR VIDEO



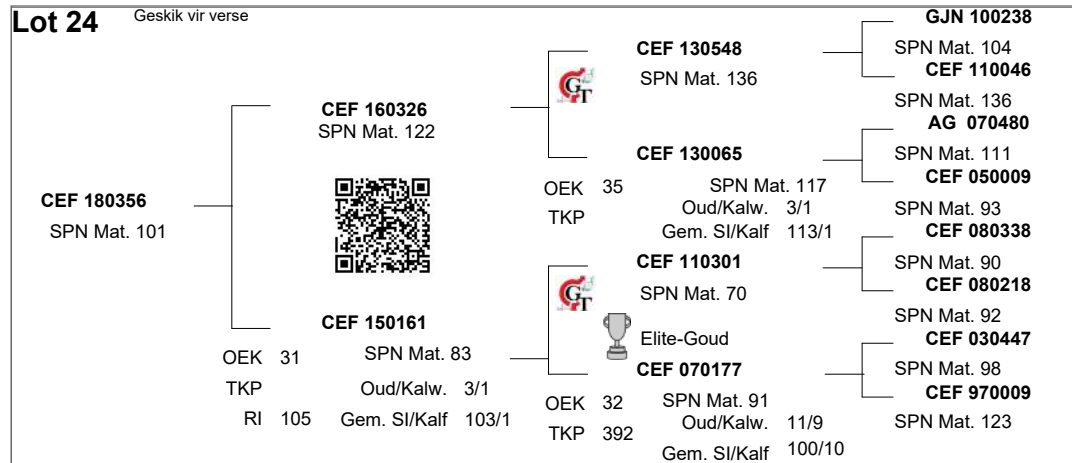
Lot	Seller	ID	PARENTS	Test	DIRECT CALF TRAITS					DAUGHTER TRAITS			GROWTH		EFF.	REP	MEASURE-MENTS			R:	Semen Users	Breeder Own Remarks			
					Progeny Birth Weight	Progeny Wean Weight	Ease of Calving	Milk prod.	Mature Weight	Post Wean Weight	Daily Gain	Feed Conv	Height & Length												
23	P.F. SCHEEPERS	CEf 180390	VV 150014 ☑	GT	Breeding Value Indexes					119	121	103	118	97	120	1.28									
					Birth Dir	Wean Dir	Birth Mat	Wean Mat	Mat Wgt										Post Wean	ADG	FCR	SC	Hgt	Lgt	LHR
					Acc	Acc	Acc	Acc	Acc										Acc	Acc	Acc	Acc	Acc	Acc	BWR
SP	CEf 150248 ☑	DNS	01.05.18	Birth Date	Wgt kg	Wgt kg	Ind	kg	kg	kg	365d Ind	540d Ind	Ind	Ind	(mm)	(mm)	(mm)	WWR							
				29	248	106																			
					116	112	94	97	104	119	121	103	118	97	120	1.28									
					-0.69	18.8	0.08	3.1	15.0	34.8	194	-53	23.9	-1	42	6.58									
					75	70	45	48	42	58	66	40	74	75	72										
					29	248	106			-	108	-	357	1152	1475	50.9									
																		Geskik vir verse							



CEF - 180356 (LOT 24)



KLIK VIR VIDEO



Lot	Seller	ID	PARENTS	Test	DIRECT CALF TRAITS					DAUGHTER TRAITS			GROWTH		EFF.	REP	MEASUREMENTS			R:	Breeder Own Remarks											
					Progeny Birth Weight	Progeny Wean Weight	Ease of Calving	Milk prod.	Mature Weight	Post Wean Weight	Daily Gain	Feed Conv	Height & Length	Birth Dir			Wean Dir	Birth Mat	Wean Mat			Mat Wgt	Post Wean	ADG	FCR	SC	Hgt	Lgt				
24	P.F. SCHEEPERS	CEF 180356	GT	Genomic Tested	104	117	104	101	116	113	109	102	97	106	112	1.2	Semen Users	Breeder Own Remarks														
																			DNA	Acc	Acc	Acc	Acc	Acc	Acc	Acc	Acc	Acc	Acc	Acc	Acc	LHR
SP	CEF 160326	CEF 150161	DNS	0.55	21.0	-0.35	4.1	27.0	30.8	140	-50	7.1	7	31	6.12	Gesik vir verse																
			03.04.18	75	70	42	47	37	53	66	27	74	75	72	41.2																	



CEF - 170580 (LOT 25)



KLIK VIR VIDEO

Lot 25 Geskik vir verse, Behou 1 mede eienaarskap, Moer Elite

CEF 170580
SPN Mat. 90

CEF 130317
SPN Mat. 64

CEF 110081
Elite-Silver
AFC 28 SPN Mat. 119
ICP 368 Age/Calv. 8/7
RI 115 Avg. WI/Calf101/7

CEF 110301
SPN Mat. 70

CEF 100161
AFC 30 SPN Mat. 100
ICP 369 Age/Calv. 10/8
Avg. WI/Calf 104/6

CEF 070487
SPN Mat. 96

CEF 060200
Elite-Silver
AFC 30 SPN Mat. 133
ICP 408 Age/Calv. 10/8
Avg. WI/Calf 110/8

CEF 080338
SPN Mat. 90

CEF 080218
SPN Mat. 92
HOT 060054
SPN Mat. 114

CEF 020218
SPN Mat. 76

CEF 030447
SPN Mat. 98

CEF 000103
SPN Mat. 105

CEF 010375
SPN Mat. 100

CEF 970076
SPN Mat. 100

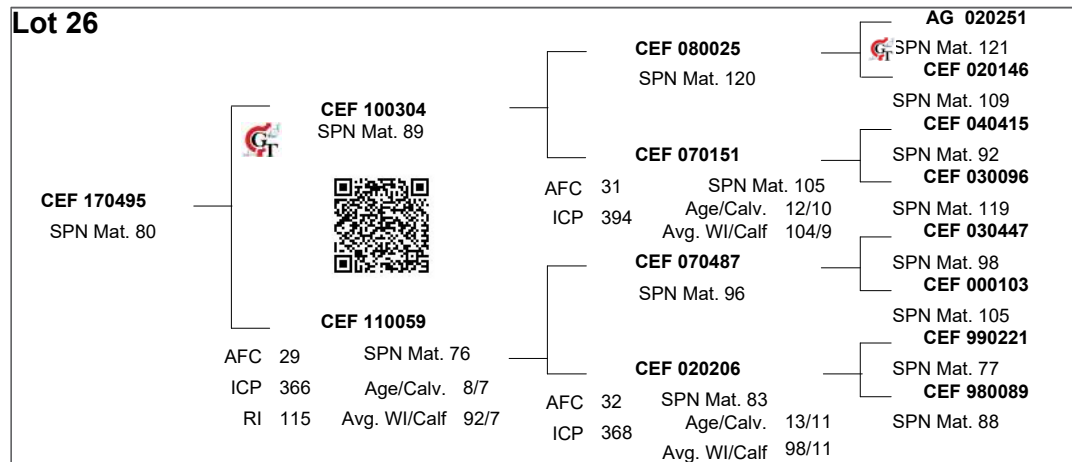
Lot	Seller	ID	PARENTS	Test	DIRECT CALF TRAITS					DAUGHTER TRAITS			GROWTH		EFF.	REP	MEASURE-MENTS			R:	Semen Users	Breeder Own Remarks
					Progeny Birth Weight		Progeny Wean Weight		Ease of Calving	Milk prod.	Mature Weight	Post Wean Weight	Daily Gain	Feed Conv			Height & Length					
					Birth Dir	Wean Dir	Birth Mat	Wean Mat	Mat Wgt	Post Wean	ADG	FCR	SC	Hgt			Lgt	LHR				
25	P.F. SCHEEPERS	CEF 170580	GT	DNA	113		114		97	90	116	118	124	109	107	108	120	1.22	Gesik vir verse, Behou 1 mede eienaarskap, Moer Elite			
					87	75	-0.06	1.1	28.0	34.4	208	-66	15.2	8	42	6.11						
					37	262	105			-		110	-	318	1161	1418	42.5					



CEF - 170495 (LOT 26)



KLIK VIR VIDEO



Lot	Seller	ID	PARENTS	Test	DIRECT CALF TRAITS					DAUGHTER TRAITS			GROWTH		EFF.	REP	MEASURE-MENTS			R:	Semen Users	Breeder Own Remarks
					Progeny Birth Weight	Progeny Wean Weight	Ease of Calving	Milk prod.	Mature Weight	Post Wean Weight	Daily Gain	Feed Conv	Height & Length									
					Breeding Value Indexes																	
Lot	Seller	ID	SIRE GV PV	DAM GV PV	Genomic Tested DNA	Birth Dir	Wean Dir		Birth Mat	Wean Mat	Mat Wgt	Post Wean	ADG	FCR	SC	Hgt	Lgt	LHR	Semen Users	Breeder Own Remarks		
						Acc	Acc		Acc	Acc	Acc	Acc	Acc	Acc	Acc	Acc	Acc	Acc			BWR	
						Wgt kg	Wgt kg	Ind	kg	kg	kg	365d Ind	540d Ind	Ind	Ind	(mm)	(mm)	(mm)			WWR	
26	P.F. SCHEEPERS	CEF 170495	CEF 100304	GT		110	92		113	80	93	86	99	103	86	72	83	1.2				
			<input checked="" type="checkbox"/>		-0.02	9.6		-0.77	-1.7	2.0	11.9	93	-53	-1.7	-22	-10	5.56					
		SP	CEF 110059	DNA		78	74		62	64	58	66	70	44	76	78	75					
				25.08.17		30	234		96			-		107	-	356	1150	1381	42.4			

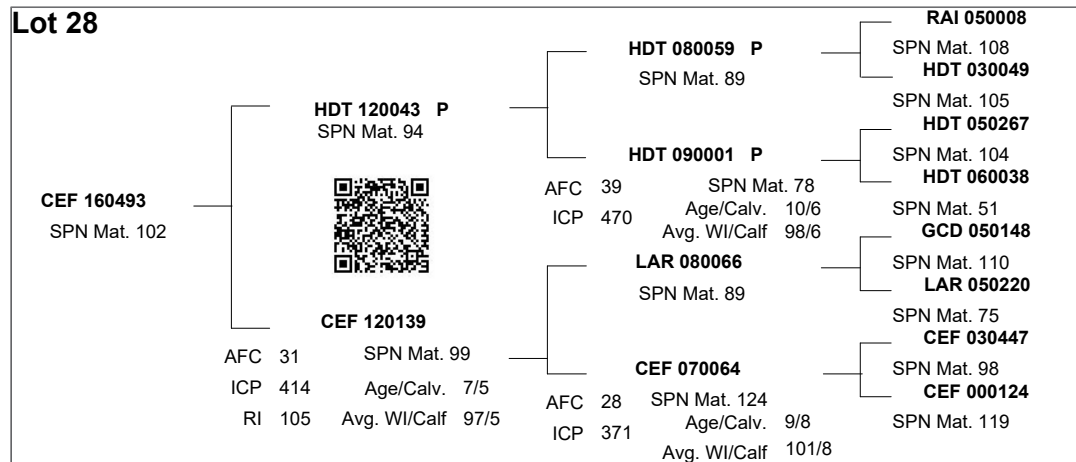


CEF - 160493 (LOT 28)



KLIK VIR VIDEO

Lot 28



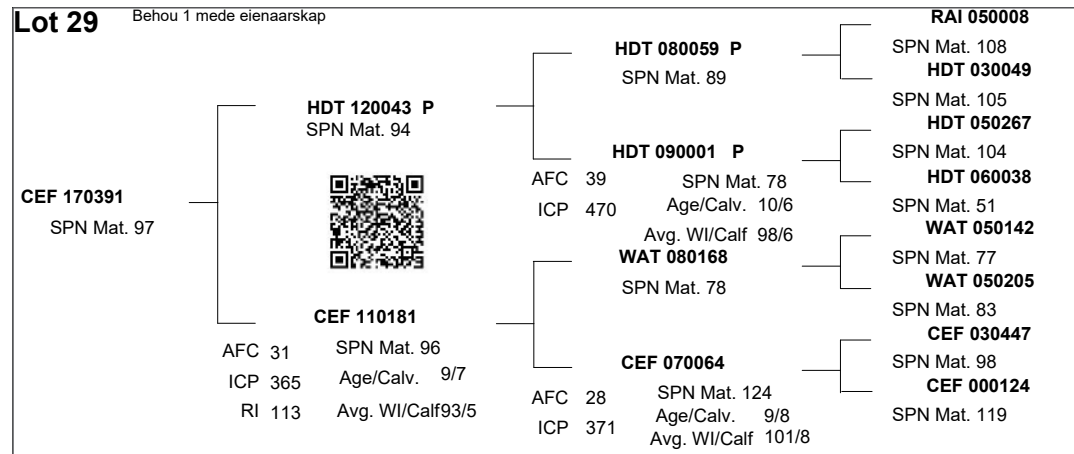
Lot	Seller	ID	PARENTS	Test	DIRECT CALF TRAITS					DAUGHTER TRAITS			GROWTH		EFF.	REP	MEASURE-MENTS			R:	Breeder Own Remarks
					Progeny Birth Weight	Progeny Wean Weight	Ease of Calving	Milk prod.	Mature Weight	Post Wean Weight	Daily Gain	Feed Conv	Height & Length								
					Breeding Value Indexes															Semen Users	Breeder Own Remarks
Lot	Seller	ID	PARENTS	Test	Birth Dir	Wean Dir	Birth Mat	Wean Mat	Mat Wgt	Post Wean	ADG	FCR	SC	Hgt	Lgt	LHR					
					Acc	Acc	Acc	Acc	Acc	Acc	Acc	Acc	Acc	Acc	Acc	Acc	Acc	Acc	BWR		
					Birth Date	Wgt kg	Wgt kg	Ind	kg	kg	kg	365d Ind	540d Ind	Ind	Ind	(mm)	(mm)	(mm)	WWR		
28	P.F. SCHEEPERS	CEF 160493	HDT 120043 P	GT	85	108	104	102	92	115	114	96	123	77	103	1.22					
				DNA	2.65	17.0	-0.37	4.3	1.0	32.0	163	-38	28.2	-17	19	8.59					
				29.08.16	44	252	93	-	126	-	379	1121	1371	42.9							



CEF - 170391 (LOT 29)



KLIK VIR VIDEO



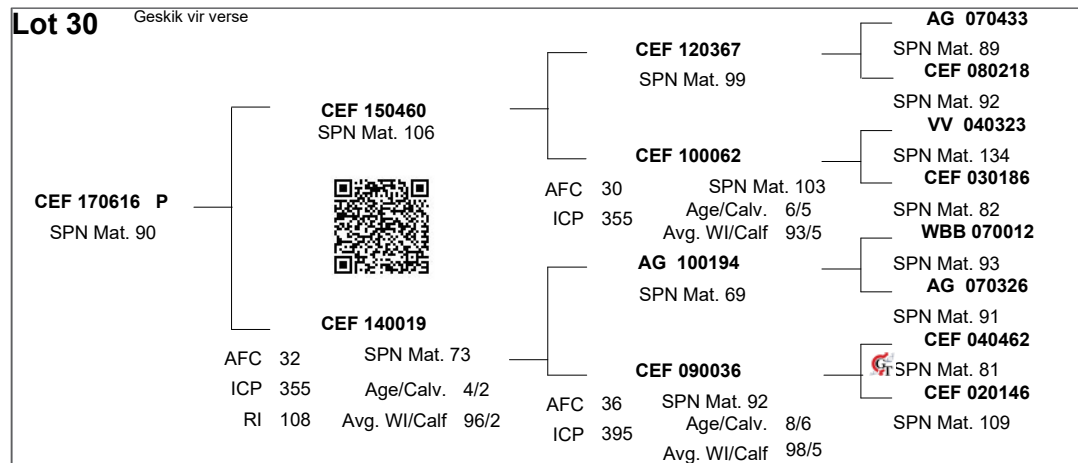
Lot	Seller	ID	PARENTS	Test	DIRECT CALF TRAITS		DAUGHTER TRAITS			GROWTH		EFF.	REP	MEASURE-MENTS			R:	Semen Users	Breeder Own Remarks															
					Progeny Birth Weight	Progeny Wean Weight	Ease of Calving	Milk prod.	Mature Weight	Post Wean Weight	Daily Gain			Feed Conv	Height & Length																			
					Breeding Value Indexes																													
Lot	Seller	ID	SIRE GV PV	DAM GV PV	Genomic Tested DNA	Birth Dir Acc	Wean Dir		Birth Mat Acc	Wean Mat Acc	Mat Wgt Acc	Post Wean Acc	ADG Acc	FCR Acc	SC Acc	Hgt Acc	Lgt Acc	LHR	BWR	WWR	Breeder Own Remarks													
							Wgt kg	Wgt kg														Ind	kg	kg	kg	365d Ind	540d Ind	Ind	Ind	(mm)	(mm)	(mm)		
29	P.F. SCHEEPERS	CEf 170391	HDT 120043 P	GT	DNA	85	108		112	97	84	110	113	101	117	89	107	1.23			Behou 1 mede eienaarskap													
							SP	CEf 110181														31.03.17	2.66	16.9	-0.75	3.1	-8.0	29.0	158	-48	23.2	-7	24	6.1
																							35	197	96			116		362	1142	1402	46	



CEF - 170616 (LOT 30)



KLIK VIR VIDEO



Lot	Seller	ID POLLED Gen	PARENTS		Test	DIRECT CALF TRAITS					DAUGHTER TRAITS			GROWTH		EFF.	REP	MEASURE-MENTS			R:	Semen Users	Breeder Own Remarks
			SIRE GV PV	DAM GV PV		Progeny Birth Weight	Progeny Wean Weight	Ease of Calving	Milk prod.	Mature Weight	Post Wean Weight	Daily Gain	Feed Conv	Height & Length									
			Breeding Value Indexes					Birth Dir	Wean Dir	Birth Mat	Wean Mat	Mat Wgt	Post Wean	ADG	FCR	SC	Hgt	Lgt	LHR				
30	P.F. SCHEEPERS	CEF 170616 P SP	CEF 150460	GT	DNA	103	97	115	90	100	102	110	97	116	86	103	1.23						
				0.67		12.2	-0.87	1.2	9.0	22.9	142	-40	22.4	-10	18	7.28							
			CEF 140019	04.11.17	74	69	46	48	40	52	64	22	73	75	71	-							
						31	227	91			-		101	-	352	1115	1376	-		Geskik vir verse			

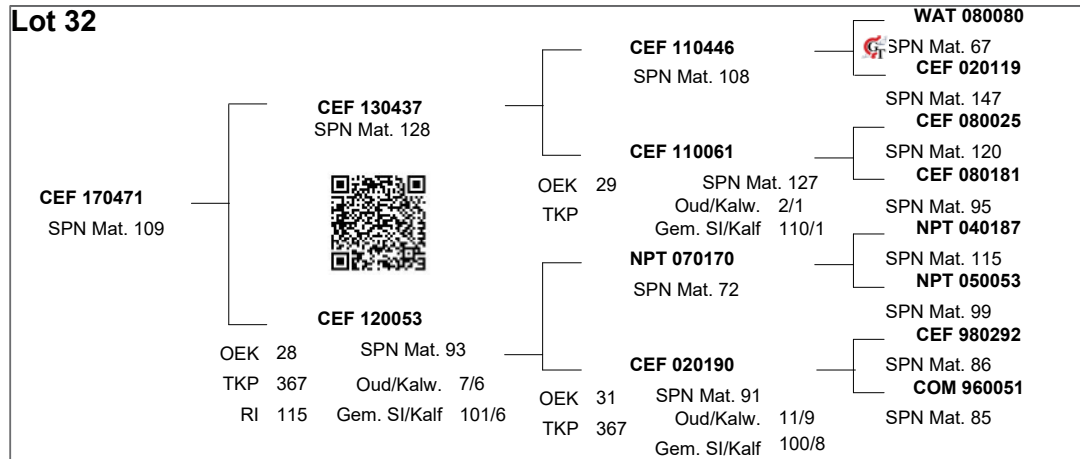


CEF - 170471 (LOT 32)



KLIK VIR VIDEO

Lot 32



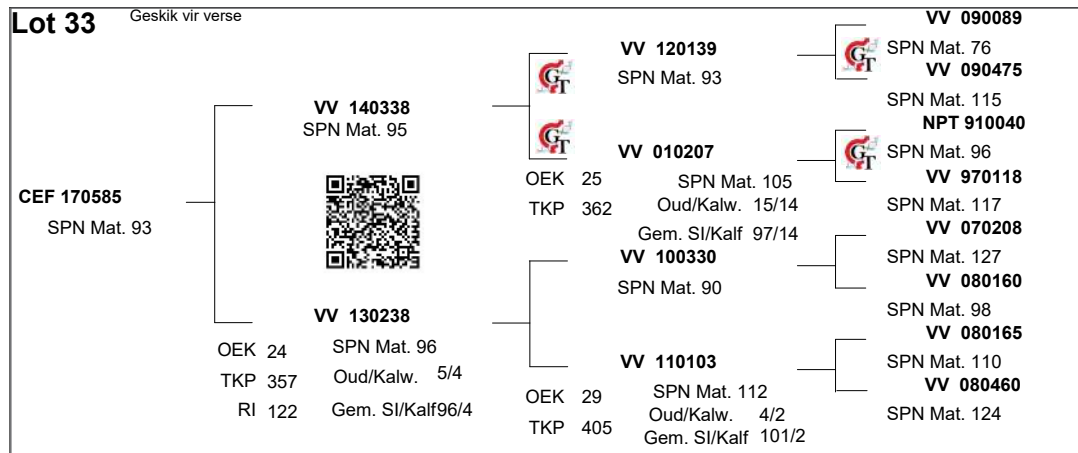
Lot	Seller	ID POLLED Gen	PARENTS		Test	DIRECT CALF TRAITS					DAUGHTER TRAITS			GROWTH		EFF.	REP	MEASURE-MENTS			R:	Semen Users	Breeder Own Remarks
			SIRE GV PV	DAM GV PV		Progeny Birth Weight	Progeny Wean Weight	Ease of Calving	Milk prod.	Mature Weight	Post Wean Weight	Daily Gain	Feed Conv	Height & Length									
			Genomic Tested DNA	Birth Dir Acc	Wean Dir Acc	Birth Mat Acc	Wean Mat Acc	Mat Wgt Acc	Post Wean Acc	ADG Acc	FCR Acc	SC Acc	Hgt Acc	Lgt Acc	LHR	BWR	WWR						
32	P.F. SCHEEPERS	CEF 170471 SP	CEF 130437	GT	20.08.17	107	112	97	109	101	119	127	106	117	110	118	1.22						
						0.30	18.6	-0.07	6.5	11.0	34.9	223	-58	23.4	10	40	6.73						
						77	74	56	58	49	62	68	30	76	77	74							
						34	240	97					353	1198	1458	45.1							



CEF - 170585 (LOT 33)



KLIK VIR VIDEO



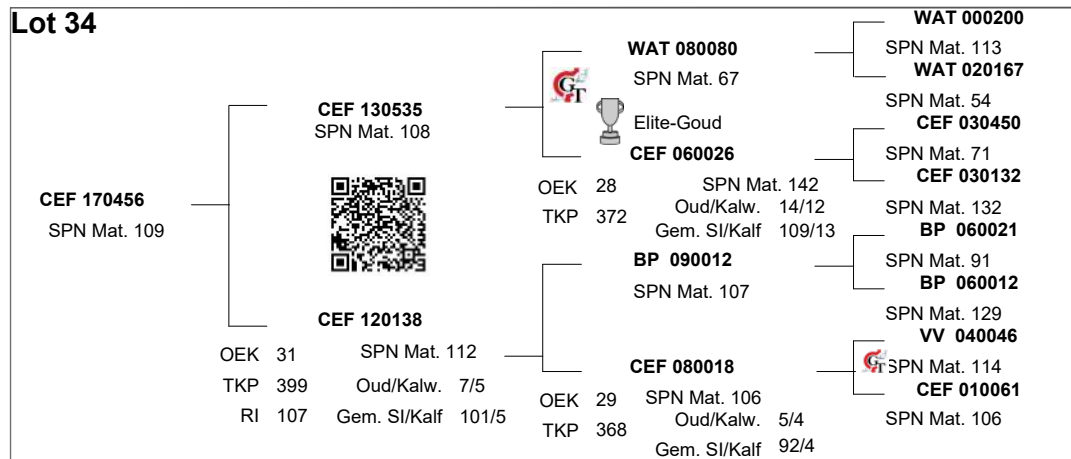
Lot	Seller	ID	PARENTS	Test	DIRECT CALF TRAITS					DAUGHTER TRAITS			GROWTH		EFF.	REP	MEASURE-MENTS			R:	Semen Users	Breeder Own Remarks
					Progeny Birth Weight	Progeny Wean Weight	Ease of Calving	Milk prod.	Mature Weight	Post Wean Weight	Daily Gain	Feed Conv	Height & Length									
33	P.F. SCHEEPERS	CEf 170585	VV 140338 ☑	Genomic Tested DNA	Birth Dir		Wean Dir		Birth Mat	Wean Mat	Mat Wgt	Post Wean	ADG	FCR	SC	Hgt	Lgt	LHR				
					Acc	Acc	Acc	Acc	Acc	Acc	Acc	Acc	Acc	Acc	Acc	Acc	Acc	Acc	BWR			
					Wgt kg	Wgt kg	Ind	kg	kg	kg	365d Ind	540d Ind	Ind	Ind	(mm)	(mm)	(mm)	WWR				
			GT		125	96	118	93	79	93	98	106	118	92	99	1.19						
			☑		-1.60	11.6	-1.00	2.0	-14.0	16.9	88	-58	23.7	-5	13	9.04						
			VV 130238 ☑	07.10.17	83	79	49	53	45	60	66	32	74	76	73							
		SP			31	246	100			-	90	-	370	1152	1371	55.9						
																	Geskik vir verse					



CEF - 170456 (LOT 34)



KLIK VIR VIDEO



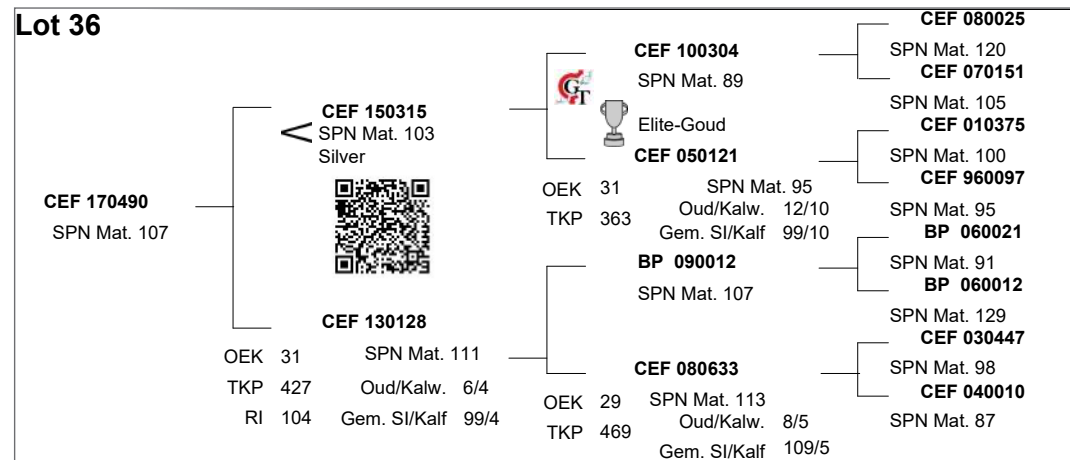
Lot	Seller	ID	PARENTS	Test	DIRECT CALF TRAITS					DAUGHTER TRAITS			GROWTH		EFF.	REP	MEASURE-MENTS			R:	Semen Users	Breeder Own Remarks
					Progeny Birth Weight		Progeny Wean Weight		Ease of Calving	Milk prod.	Mature Weight	Post Wean Weight	Daily Gain	Feed Conv			Height & Length					
					Birth Dir	Wean Dir	Birth Mat	Wean Mat	Mat Wgt	Post Wean	ADG	FCR	SC	Hgt			Lgt	LHR				
34	P.F. SCHEEPERS	CE 170456	CE 130535	GT	107		96		87	109	106	100		110	112	105	99	102	1.16			
					0.28		11.3		0.40	6.2	17.0	21.4	142	-71	13.6	1	17	6.08				
					76		72		50	52	44	58	67	28	75	76	73					
		SP	CE 120138	16.08.17	34	243	99				-		94	-	339	1196	1386	44.8				



CEF - 170490 (LOT 36)



KLIK VIR VIDEO



Lot	Seller	ID POLLED Gen	PARENTS		Test	Breeding Value Indexes										LHR	BWR	WWR	Semen Users	Breeder Own Remarks		
			SIRE GV PV	DAM GV PV		DIRECT CALF TRAITS		DAUGHTER TRAITS			GROWTH		EFF.	REP	MEASURE-MENTS						R:	
			Genomic Tested DNA	Birth Date	Progeny Birth Weight	Progeny Wean Weight	Ease of Calving	Milk prod.	Mature Weight	Post Wean Weight	Daily Gain	Feed Conv	Height & Length								Height	Lgt
36	P.F. SCHEEPERS	CEF 170490	CEF 150315	GT	68	120	112	107	126	119	118	110	107	122	121	1.19						
					4.42	22.7	-0.72	5.8	39.0	35.0	179	-67	15.4	19	43	7.48						
		SP	CEF 130128	24.08.17	76	72	49	53	45	58	67	40	75	76	73	45.1						
					44	264	104			95		361	1230	1460								

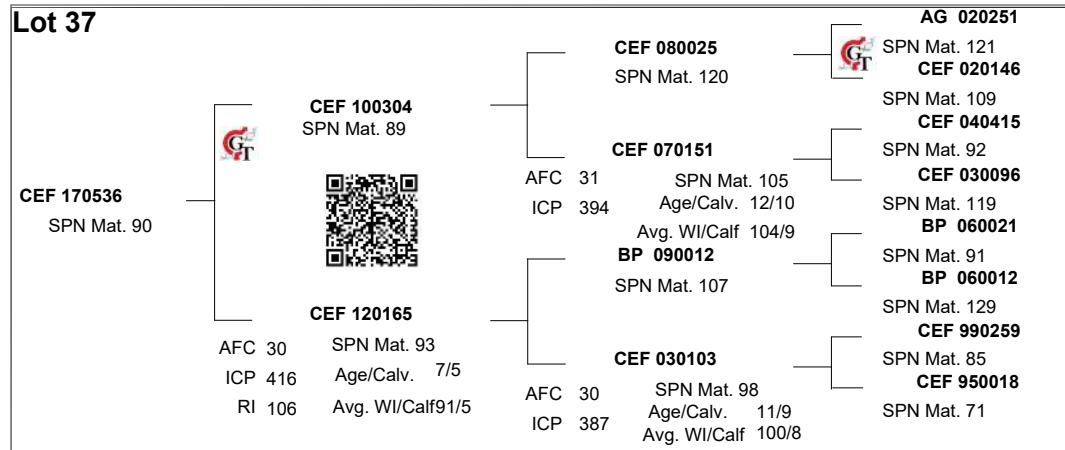


CEF - 170536 (LOT 37)



KLIK VIR VIDEO

Lot 37



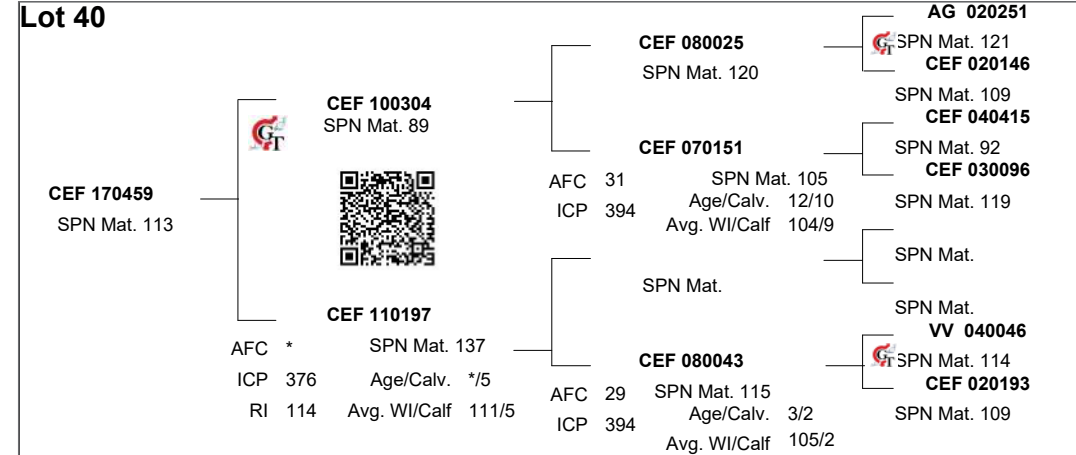
Lot	Seller	ID POLLED Gen	PARENTS		Test	Breeding Value Indexes										Semen Users	Breeder Own Remarks	
			SIRE GV PV	DAM GV PV		DIRECT CALF TRAITS		DAUGHTER TRAITS		GROWTH		EFF.	REP	MEASURE- MENTS				R:
			Genomic Tested DNA	Birth Date	Progeny Birth Weight	Progeny Wean Weight	Ease of Calving	Milk prod.	Mature Weight	Post Wean Weight	Daily Gain	Feed Conv		Height & Length				LHR
37	P.F. SCHEEPERS	CEF 170536 SP	CEF 100304	GT		117	84	94	90	88	87	106	107	81	82	91	1.21	
			CEF 120165			-0.74	6.2	0.06	1.0	-4.0	12.4	123	-61	-5.6	-13	2	6.68	
				10.09.17		77	73	61	62	56	65	70	47	76	77	75		
						30	198	95				96	-	314	1160	1401	44	



CEF - 170459 (LOT 40)



KLIK VIR VIDEO



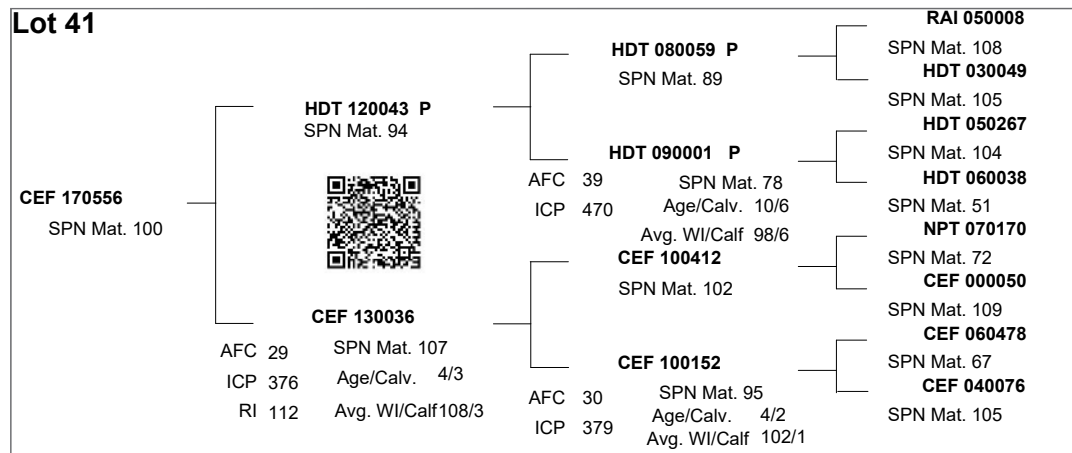
Lot	Seller	ID	PARENTS	Test	DIRECT CALF TRAITS		DAUGHTER TRAITS			GROWTH		EFF.	REP	MEASURE-MENTS			R:	Semens	Users	Breeder Own Remarks		
					Progeny Birth Weight	Progeny Wean Weight	Ease of Calving	Milk prod.	Mature Weight	Post Wean Weight	Daily Gain			Feed Conv	Height & Length							
					Breeding Value Indexes																	
Lot	Seller	ID	SIRE GV PV	DAM GV PV	Genomic Tested DNA	Birth Dir	Wean Dir		Birth Mat	Wean Mat	Mat Wgt	Post Wean		ADG	FCR	SC	Hgt	Lgt	LHR	Semens	Users	Breeder Own Remarks
						Acc	Acc	Acc	Acc	Acc	Acc	Acc	Acc	Acc	Acc	Acc	Acc	Acc	Acc			
					Birth Date	Wgt kg	Wgt kg	Ind	kg	kg	kg	365d Ind	540d Ind	Ind	Ind	(mm)	(mm)	(mm)	WWR			
40	P.F. SCHEEPERS	CEF 170459	GT	B	17.08.17	94	107	72	113	108	106	116	111	90	100	108	1.21					
						1.70	16.5	1.06	7.6	18.0	25.7	173	-70	1.6	2	25	6.16					
						77	73	61	62	54	64	67	43	74	75	73						
						39	229	107				-		112	-	319	1197	1446	38			



CEF - 170556 (LOT 41)



KLIK VIR VIDEO



Lot	Seller	ID	PARENTS	Test	DIRECT CALF TRAITS		DAUGHTER TRAITS			GROWTH		EFF.	REP	MEASURE-MENTS			R:	Semen	Users	Breeder Own Remarks		
					Progeny Birth Weight	Progeny Wean Weight	Ease of Calving	Milk prod.	Mature Weight	Post Wean Weight	Daily Gain			Feed Conv	Height & Length							
					Breeding Value Indexes																	
Lot	Seller	ID	SIRE GV PV	DAM GV PV	Genomic Tested DNA	Birth Dir	Wean Dir		Birth Mat	Wean Mat	Mat Wgt	Post Wean		ADG	FCR	SC	Hgt	Lgt	LHR	Semen	Users	Breeder Own Remarks
						Acc	Acc		Acc	Acc	Acc	365d Ind	540d Ind	Ind	Ind	Ind	(mm)	(mm)	(mm)			
					Birth Date	Wgt kg	Wgt kg	Ind	kg	kg	kg			Ind	Ind	(mm)	(mm)	(mm)	WWR			
41	P.F. SCHEEPERS	CEf 170556	HDT 120043	P	GT	93	106		127	100	89	105		107	96	117	99	110	1.22			
			CEf 130036	DNA	1.73	16.0		-1.43	3.8	-2.0	25.4	131	-38	23.7	0	28	6.31					
		SP	18.09.17	34	262	108	80	74	55	57	50	62	68	18	75	77	74	49.6				



CEF - 180386 (LOT 42)



KLIK VIR VIDEO

Lot 42 Geskik vir verse

CEF 180386
SPN Mat. 120

CEF 130548
SPN Mat. 136

CEF 090107
AFC 39 SPN Mat. 101
ICP 415 Age/Calv. 10/7
RI 99 Avg. Wt/Calv 98/6

CEF 110046
Elite-Silver
AFC 30 SPN Mat. 136
ICP 366 Age/Calv. 9/7
Avg. Wt/Calv 109/7

CEF 070417
SPN Mat. 97

CEF 070004
AFC 29 SPN Mat. 104
ICP 369 Age/Calv. 10/9
Avg. Wt/Calv 99/9

WAT 070090
SPN Mat. 119
GJN 080116
SPN Mat. 94
CEF 080435
SPN Mat. 103
CEF 080110
SPN Mat. 132
CEF 040458
SPN Mat. 93
CEF 040208
SPN Mat. 102
CEF 040426
SPN Mat. 107
CEF 040139
SPN Mat. 113

Lot	Seller	ID	PARENTS	Test	DIRECT CALF TRAITS		DAUGHTER TRAITS			GROWTH		EFF.	REP	MEASURE-MENTS			R:	Semen Users	Breeder Own Remarks
					Progeny Birth Weight	Progeny Wean Weight	Ease of Calving	Milk prod.	Mature Weight	Post Wean Weight	Daily Gain			Feed Conv	Height & Length				
					SIRE GV PV	DAM GV PV	Genomic Tested DNA	Birth Dir Acc	Wean Dir Acc	Birth Mat Acc	Wean Mat Acc	Mat Wgt Acc	Post Wean Acc	ADG Acc	FCR Acc	SC Acc	Hgt Acc		
42	P.F. SCHEEPERS	CEF 180386	CEF 130548	GT	119	100	97	120	87	103	108	104	100	86	100	1.21	Gesik vir verse		
			CEF 090107		-1.02	13.4	-0.06	9.4	-5.0	23.7	133	-56	9.9	-10	15	5.83			
		SP		29.04.18	34	209	94			-	102	-	347	1151	1394	41.6			

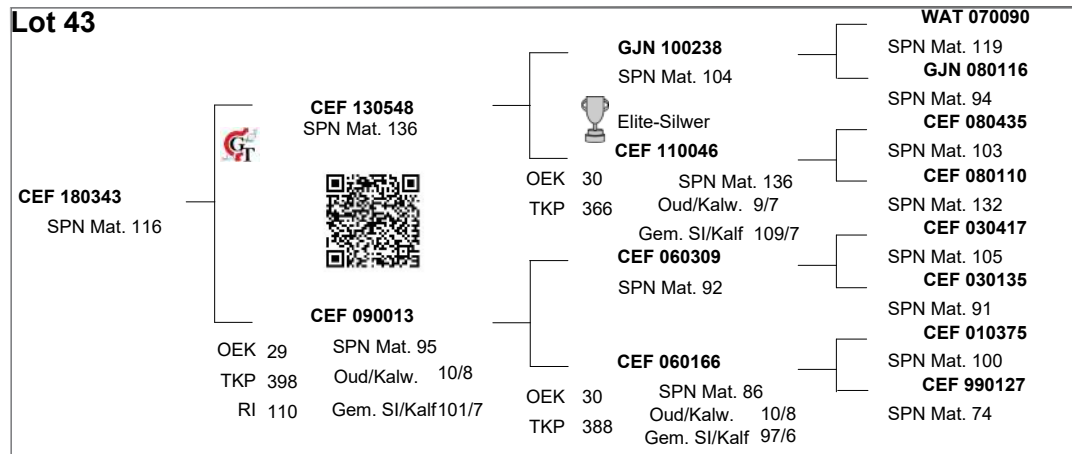


CEF - 180343 (LOT 43)



KLIK VIR VIDEO

Lot 43



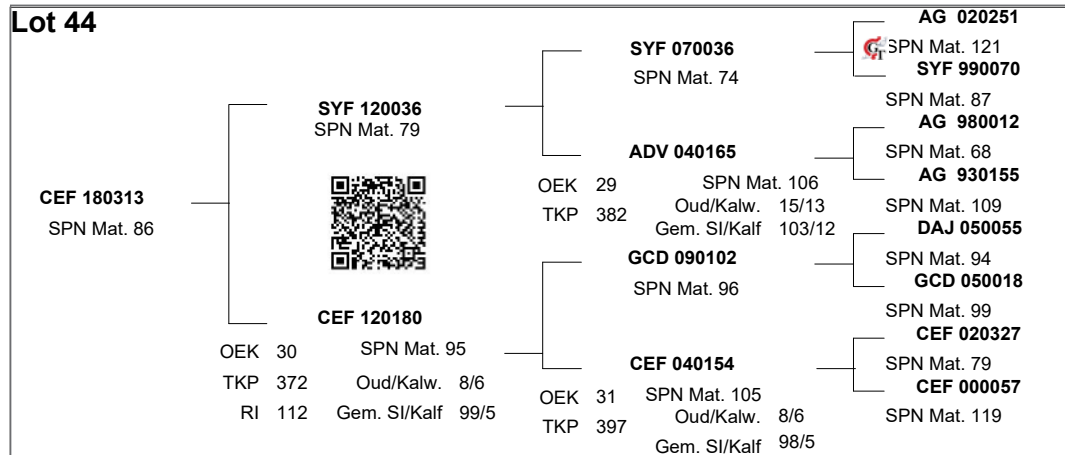
Lot	Seller	ID	PARENTS	Test	DIRECT CALF TRAITS					DAUGHTER TRAITS			GROWTH		EFF.	REP	MEASUREMENTS			R:	Breeder Own Remarks
					Progeny Birth Weight	Progeny Wean Weight	Ease of Calving	Milk prod.	Mature Weight	Post Wean Weight	Daily Gain	Feed Conv	Height & Length								
					Birth Dir	Wean Dir	Birth Mat	Wean Mat	Mat Wgt	Post Wean	ADG	FCR	SC	Hgt			Lgt	LHR			
43	P.F. SCHEEPERS	CEF 180343	CEF 130548 GT	Genomic Tested	94	125	102	116	107	118	102	97	98	102	114	1.23					
			CEF 090013	DNA	1.63	24.7	-0.29	8.3	18.0	34.7	108	-40	7.7	3	34	7.83					
			30.03.18	Birth Date	78	74	56	59	47	62	70	30	77	78	75						
					44	249	109			-	93	-	339	1188	1467	47.9					



CEF - 180313 (LOT 44)



KLIK VIR VIDEO



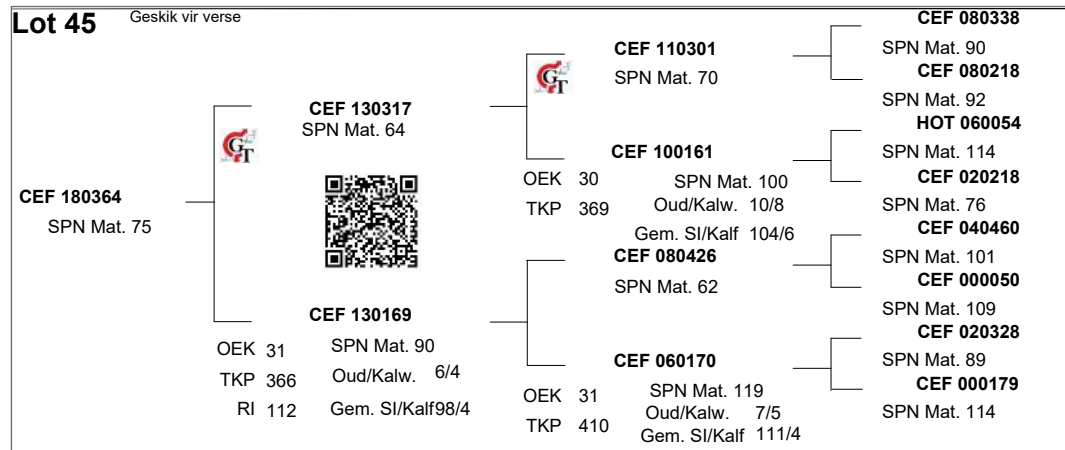
Lot	Seller	ID POLLED Gen	PARENTS		Test	DIRECT CALF TRAITS					DAUGHTER TRAITS			GROWTH		EFF.	REP	MEASURE-MENTS			R:	Semen Users	Breeder Own Remarks			
			SIRE GV PV	DAM GV PV		Progeny Birth Weight	Progeny Wean Weight	Ease of Calving	Milk prod.	Mature Weight	Post Wean Weight	Daily Gain	Feed Conv	Height & Length												
			Breeding Value Indexes					Birth Dir	Wean Dir	Birth Mat	Wean Mat	Mat Wgt	Post Wean Acc	ADG	FCR	SC	Hgt	Lgt	LHR							
44	P.F. SCHEEPERS	CEF 180313 SP	SYF 120036	GT	Genomic Tested DNA	99	93	112	86	112	90	93	95	107	81	98	1.24									
						1.08	10.3	-0.74	0.1	23.0	15.0	63	-37	15.4	-14	11	5.79									
						77	73	57	58	50	62	68	32	76	77	74										
				17.03.18		33	202	90			-		93	-	371	1152	1430	35.7								



CEF - 180364 (LOT 45)



KLIK VIR VIDEO



Lot	Seller	ID	PARENTS	Test	Breeding Value Indexes										LHR	BWR	WWR	Semen Users	Breeder Own Remarks			
					DIRECT CALF TRAITS		DAUGHTER TRAITS			GROWTH		EFF.	REP	MEASURE-MENTS						R:		
					Progeny Birth Weight	Progeny Wean Weight	Ease of Calving	Milk prod.	Mature Weight	Post Wean Weight	Daily Gain	Feed Conv		Height & Length								
Birth Dir	Wean Dir	Birth Mat	Wean Mat	Mat Wgt	Post Wean	ADG	FCR	SC	Hgt	Lgt												
Gen	DAM	GV	PV	DNA	Acc	Acc	Acc	Acc	Acc	Acc	Acc	Acc	Acc	Acc	Acc							
				Birth Date	Wgt kg	Wgt kg	Ind	kg	kg	kg	365d Ind	540d Ind	Ind	Ind	(mm)	(mm)	(mm)					
45	P.F. SCHEEPERS	CEF 180364	SP	CEF 130317	GT	122	111	107	75	114	116	118	102	120	101	114	1.22					
						-1.30	18.3	-0.49	-3.2	25.0	32.7	182	-51	25.7	2	34	5.25					
				CEF 130169	07.04.18	77	73	54	59	48	62	68	37	75	77	74						
					29	230	107				-		101	-	362	1181	1442	47.3		Geskik vir verse		



CEF - 180389 (LOT 46)



KLIK VIR VIDEO

Lot 46 Geskik vir verse

CEf 180389
SPN Mat. 94

VV 160038
SPN Mat. 94

CEf 150242
OEK 30 TKP 456 RI 104
SPN Mat. 97
Oud/Kalw. 4/2
Gem. Sl/Kalf 113/1

VV 130147
SPN Mat. 78
Elite-Goud

VV 070239
OEK 27 TKP 383
SPN Mat. 106
Oud/Kalw. 12/10
Gem. Sl/Kalf 106/10

CEf 120367
SPN Mat. 99

CEf 100034
OEK 29 TKP 378
SPN Mat. 96
Oud/Kalw. 6/4
Gem. Sl/Kalf 105/4

AG 090226
SPN Mat. 74
VV 050452
SPN Mat. 109
VV 040322
SPN Mat. 104
VV 010386
SPN Mat. 112
AG 070433
SPN Mat. 89
CEf 080218
SPN Mat. 92
CEf 060349
SPN Mat. 95
CEf 020187
SPN Mat. 95

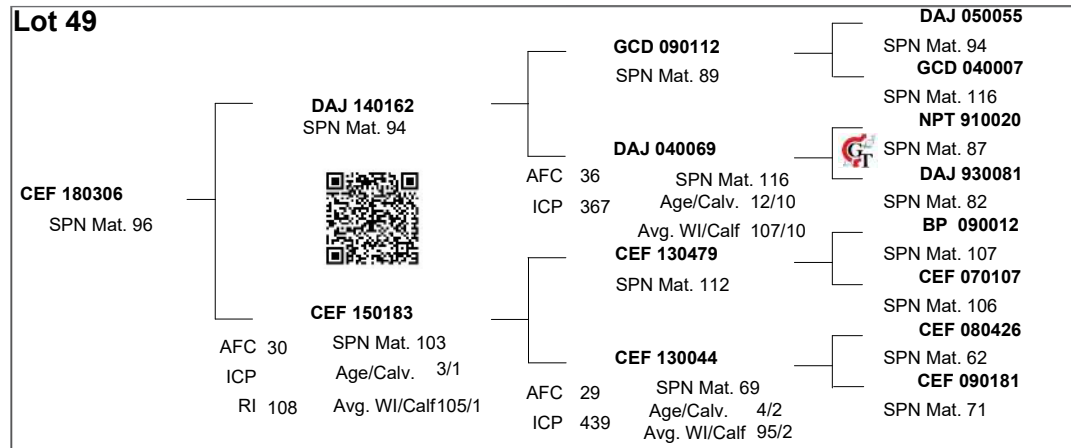
Lot	Seller	ID POLLED Gen	PARENTS		Test	DIRECT CALF TRAITS					DAUGHTER TRAITS			GROWTH		EFF.	REP	MEASURE-MENTS			R:	Semen Users	Breeder Own Remarks
			SIRE GV PV	DAM GV PV		Progeny Birth Weight	Progeny Wean Weight	Ease of Calving	Milk prod.	Mature Weight	Post Wean Weight	Daily Gain	Feed Conv	Height & Length									
			Breeding Value Indexes					Birth Dir	Wean Dir	Birth Mat	Wean Mat	Mat Wgt	Post Wean	ADG	FCR	SC	Hgt	Lgt	LHR				
46	P.F. SCHEEPERS	CEf 180389 SP	VV 160038	GT	Genomic Tested DNA Birth Date	110	111	132	94	113	115	120	105	126	96	107	1.22						
			<input checked="" type="checkbox"/>	DNS		0.01	18.2	-1.64	2.3	24.0	32.4	189	-58	30.2	-2	24	6.82						
			CEf 150242	30.04.18		75	69	42	45	37	51	64	19	73	74	71							
			<input checked="" type="checkbox"/>			30	262	113			-		115	-	371	1142	1394	61.5			Geskik vir verse		



CEF - 180306 (LOT 49)



KLIK VIR VIDEO



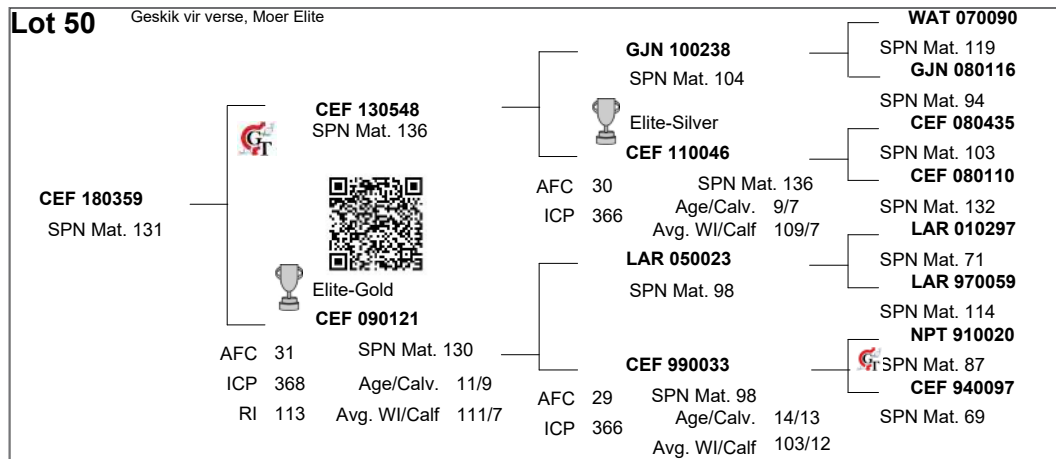
Lot	Seller	ID	PARENTS	Test	DIRECT CALF TRAITS					DAUGHTER TRAITS			GROWTH		EFF.	REP	MEASURE-MENTS			R:	Semen	Users	Breeder Own Remarks	
					Progeny Birth Weight	Progeny Wean Weight	Ease of Calving	Milk prod.	Mature Weight	Post Wean Weight	Daily Gain	Feed Conv	Height & Length	Birth Dir			Wean Dir	Mat Wgt	Post Wean					ADG
					Breeding Value Indexes																			
					Genomic Tested	Birth Dir	Wean Dir	Birth Mat	Wean Mat	Mat Wgt	Post Wean	ADG	FCR	SC	Hgt	Lgt	LHR							
					DNA	Acc	Acc	Acc	Acc	Acc	Acc	Acc	Acc	Acc	Acc	Acc	Acc	BWR						
					Birth Date	Wgt kg	Wgt kg	Ind	kg	kg	kg	365d Ind	540d Ind	Ind	Ind	(mm)	(mm)	(mm)	WWR					
49	P.F. SCHEEPERS	CEF 180306	DAJ 140162	GT		94	111	94	96	98	117	114	98	94	101	110	1.26							
				<input checked="" type="checkbox"/>		1.63	18.4	0.09	2.7	7.0	33.4	163	-43	5.1	3	28	9.07							
		SP	CEF 150183	DNA		75	71	44	51	40	54	66	22	74	75	72								
				12.03.18		36	253	105			-		110	-	318	1180	1487	59						



CEF - 180359 (LOT 50)



KLIK VIR VIDEO



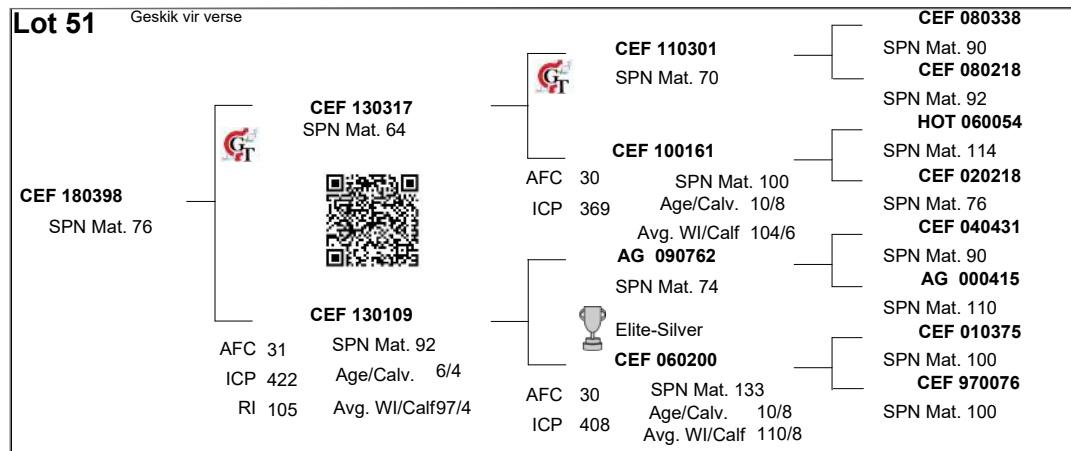
Lot	Seller	ID	PARENTS	Test	DIRECT CALF TRAITS					DAUGHTER TRAITS			GROWTH		EFF.	REP	MEASURE-MENTS			R:	Semen	Users	Breeder Own Remarks		
					Progeny Birth Weight		Progeny Wean Weight		Ease of Calving	Milk prod.	Mature Weight	Post Wean Weight	Daily Gain	Feed Conv			Height & Length								
					Birth Dir	Wean Dir	Birth Mat	Wean Mat	Mat Wgt	Post Wean	ADG	FCR	SC	Hgt			Lgt	LHR							
50	P.F. SCHEEPERS	CEF 180359	CEFC 130548	GT	109	125	109	131	111	127	126	113	119	117	121	1.17									
					0.11	24.9	-0.61	12.6	22.0	40.5	217	-74	24.8	16	44	5.21									
			CEFC 090121		78	74	57	60	50	62	69	18	76	77	74										
		SP		05.04.18	33	250	116			-		-	358	1220	1431	43									Geskik vir verse, Moer Elite



CEF - 180398 (LOT 51)



KLIK VIR VIDEO



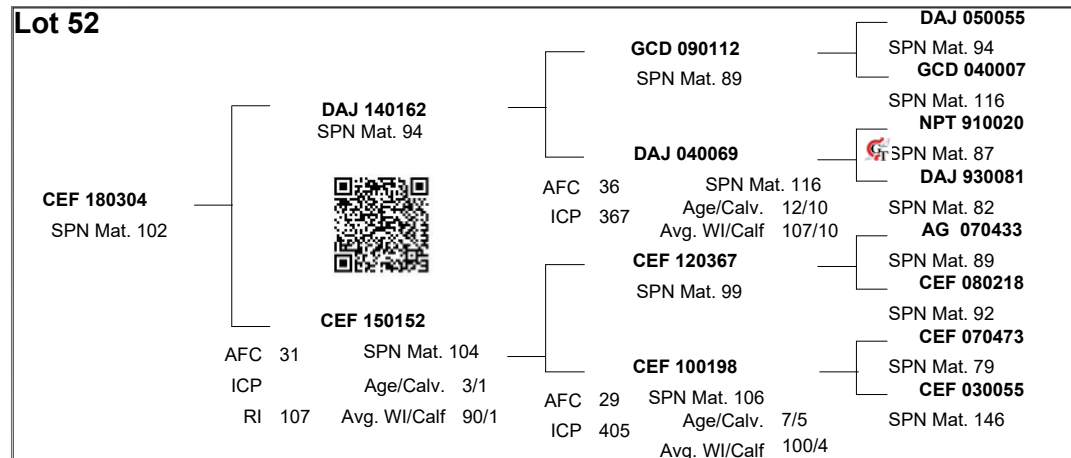
Lot	Seller	ID	PARENTS	Test	DIRECT CALF TRAITS					DAUGHTER TRAITS			GROWTH		EFF.	REP	MEASURE-MENTS			R:	Semen	Users	Breeder Own Remarks		
					Progeny Birth Weight		Progeny Wean Weight		Ease of Calving	Milk prod.	Mature Weight	Post Wean Weight	Daily Gain	Feed Conv			Height & Length								
					Birth Dir	Wean Dir	Birth Mat	Wean Mat	Mat Wgt	Post Wean	ADG	FCR	SC	Hgt			Lgt	LHR							
51	P.F. SCHEEPERS	CEF 180398	CE 130317	GT	109	119	107	76	121	124	123	104	116	112	127	1.24									
					0.03	22.1	-0.53	-2.8	33.0	38.5	205	-56	22.2	12	51	5.5									
		SP	CE 130109	10.05.18	77	73	54	60	47	62	69	35	76	77	74										
					33	251	117			-		-	332	1206	1490	49.4									Geskik vir verse



CEF - 180304 (LOT 52)



KLIK VIR VIDEO



Lot	Seller	ID	PARENTS	Test	DIRECT CALF TRAITS		DAUGHTER TRAITS			GROWTH		EFF.	REP	MEASURE-MENTS			R:	Semeh	Users	Breeder Own Remarks		
					Progeny Birth Weight	Progeny Wean Weight	Ease of Calving	Milk prod.	Mature Weight	Post Wean Weight	Daily Gain			Feed Conv	Height & Length							
Lot	Seller	ID	SIRE GV PV	DAM GV PV	Genomic Tested DNA	Breeding Value Indexes													LHR	BWR	WWR	
						Birth Dir	Wean Dir	Birth Mat	Wean Mat	Mat Wgt	Post Wean	ADG	FCR	SC	Hgt	Lgt						
						Acc	Acc	Acc	Acc	Acc	Acc	Acc	Acc	Acc	Acc	Acc	Acc	Acc				
					Birth Date	Wgt kg	Wgt kg	Ind	kg	kg	kg	365d Ind	540d Ind	Ind	Ind	(mm)	(mm)	(mm)				
52	P.F. SCHEEPERS	CEF 180304	DAJ 140162 <input checked="" type="checkbox"/>	GT	DNA	77	106	104	102	113	113	116	108	108	87	93	1.17					
						3.50	16.0	-0.38	4.4	24.0	30.8	170	-63	16.0	-9	4	9.24					
						75	71	45	51	40	54	66	21	74	76	73						
		SP		05.03.18	40	225	90				-		104	-	370	1137	1334	44.1				



CEF - 170474 (LOT 55)



KLIK VIR VIDEO

Lot 55 Geskik vir verse

CEF 170474 SPN Mat. 107

CEF 150479 SPN Mat. 111

CEF 150005 SPN Mat. 107
 OEK 30 TKP 460 RI 105 Oud/Kalw. 4/2 Gem. SI/Kalf 106/2

CEF 100304 SPN Mat. 89
 Elite-Silwer
CEF 060200 SPN Mat. 133
 OEK 30 TKP 408 Oud/Kalw. 10/8 Gem. SI/Kalf 110/8

CEF 120401 SPN Mat. 95

CEF 120222 SPN Mat. 111
 OEK 29 TKP 418 Oud/Kalw. 7/5 Gem. SI/Kalf 99/5

CEF 080025 SPN Mat. 120
CEF 070151 SPN Mat. 105
CEF 010375 SPN Mat. 100
CEF 970076 SPN Mat. 100
CEF 080426 SPN Mat. 62
CEF 080145 SPN Mat. 131
CEF 100450 SPN Mat. 110
CEF 100062 SPN Mat. 103

Lot	Seller	ID	PARENTS	Test	DIRECT CALF TRAITS		DAUGHTER TRAITS			GROWTH		EFF.	REP	MEASUREMENTS			R:	Semen Users	Breeder Own Remarks	
					Progeny Birth Weight	Progeny Wean Weight	Ease of Calving	Milk prod.	Mature Weight	Post Wean Weight	Daily Gain			Feed Conv	Height & Length					
					Birth Dir	Wean Dir	Birth Mat	Wean Mat	Mat Wgt	Post Wean	ADG			FCR	SC	Hgt				Lgt
55	P.F. SCHEEPERS	CEF 170474	CEF 150479 CEF 150005	GT DNS 19.08.17	117	96	106	107	101	99	110	105	89	98	101	1.19	Gesik vir verse			
					-0.77	11.7	-0.46	5.8	11.0	21.3	142	-58	0.7	0	16	6.74				
					76	71	46	50	43	55	64	31	73	75	72	55.5				
		SP			25	227	104				117	-	324	1141	1358					

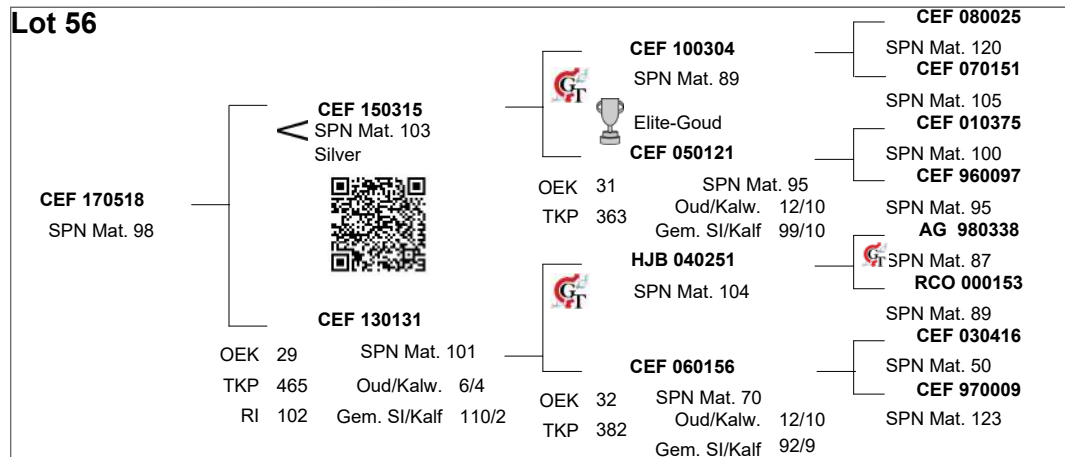


CEF - 170518 (LOT 56)



KLIK VIR VIDEO

Lot 56



Lot	Seller	ID POLLED Gen	PARENTS		Test	Breeding Value Indexes					Post Wean	ADG	FCR	SC	Hgt	Lgt	LHR	BWR	WWR	Semen	Users	Breeder Own Remarks
			SIRE GV PV	DAM GV PV		Genomic Tested DNA	Birth Dir	Wean Dir	Birth Mat	Wean Mat												
			Birth Date	Wgt kg	Wgt kg	Ind	kg	kg	kg	365d Ind	540d Ind	Ind	Ind	(mm)	(mm)	(mm)						
56	P.F. SCHEEPERS	CEF 170518	CEF 150315	GT		69	129	119	98	120	121	115	111	102	105	114	1.24					
						4.35	26.7	-1.04	3.2	32.0	36.3	168	-70	11.4	6	33	7.04					
		SP	CEF 130131	29.08.17	38	278	113	77	71	50	52	43	58	67	43	75	76	73	48.6			

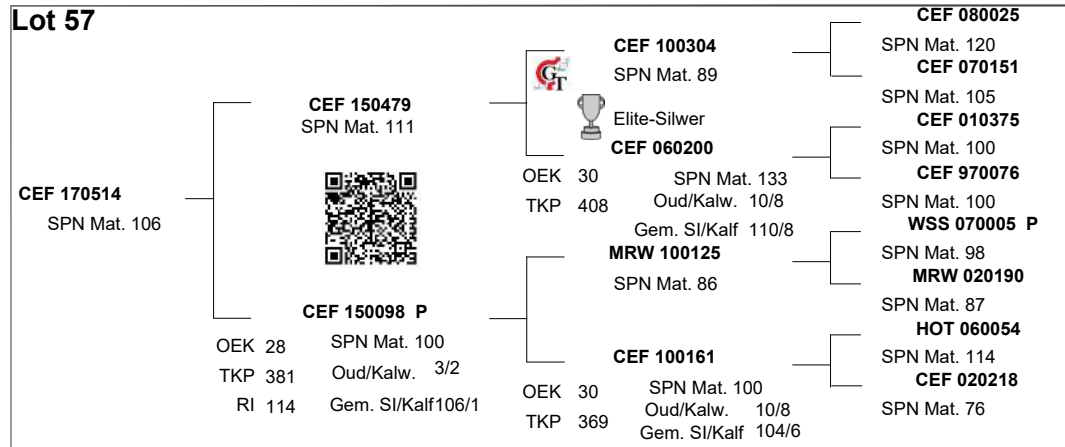


CEF - 170514 (LOT 57)



KLIK VIR VIDEO

Lot 57



Lot	Seller	ID	PARENTS	Test	DIRECT CALF TRAITS					DAUGHTER TRAITS			GROWTH		EFF.	REP	MEASURE-MENTS			R:	Semen Users	Breeder Own Remarks
					Progeny Birth Weight		Progeny Wean Weight		Ease of Calving	Milk prod.	Mature Weight	Post Wean Weight	Daily Gain	Feed Conv			Height & Length					
					Birth Dir	Wean Dir	Birth Mat	Wean Mat	Mat Wgt	Post Wean	ADG	FCR	SC	Hgt			Lgt	LHR				
57	P.F. SCHEEPERS	CEF 170514	CEF 150479 GT	Genomic Tested	76	117	94	106	116	114	115	110	92	118	112	1.17						
			CEF 150098 DNS	DNA	3.56	21.1	0.06	5.4	28.0	31.7	168	-68	3.0	17	30	9.13						
		SP	P	Birth Date	76	71	47	49	41	55	64	28	73	75	71							
					29.08.17	39	244	106		-	106	-	319	1195	1404	49.7						

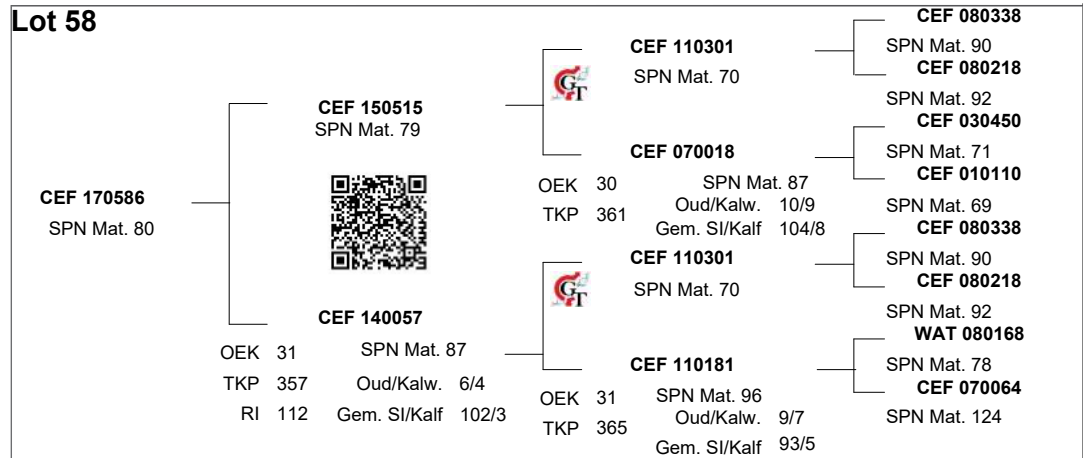


CEF - 170586 (LOT 58)



KLIK VIR VIDEO

Lot 58



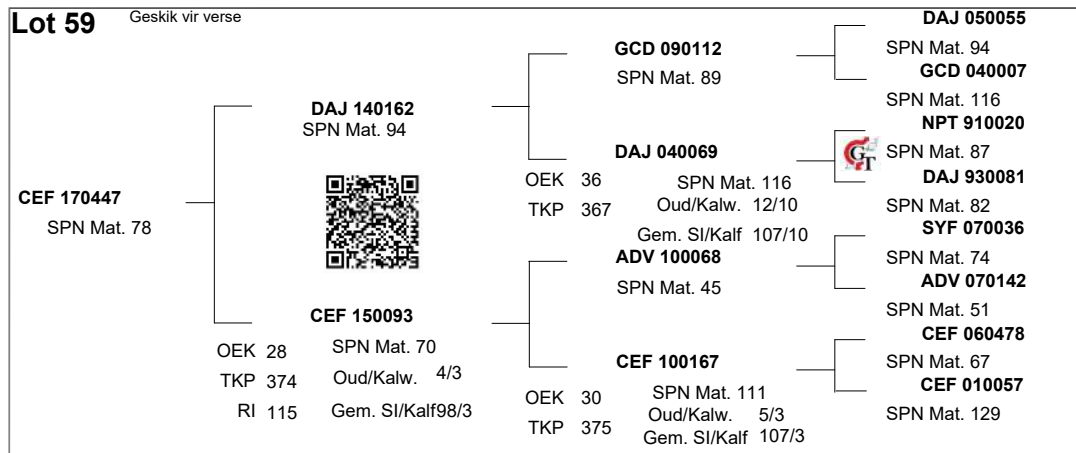
Lot	Seller	ID	PARENTS	Test	DIRECT CALF TRAITS					DAUGHTER TRAITS			GROWTH		EFF.	REP	MEASURE-MENTS			R:	Breeder Own Remarks
					Progeny Birth Weight	Progeny Wean Weight	Ease of Calving	Milk prod.	Mature Weight	Post Wean Weight	Daily Gain	Feed Conv	Height & Length								
					Birth Dir	Wean Dir	Birth Mat	Wean Mat	Mat Wgt	Post Wean	ADG	FCR	SC	Hgt			Lgt				
58	P.F. SCHEEPERS	CEF 170586	CEF 150515 GT	Genomic Tested DNA	100	133	111	80	125	137	132	108	112	117	129	1.24					
			CEF 140057	Birth Date	1.06	28.3	-0.71	-1.6	37.0	47.5	247	-62	19.0	16	55	7.24					
		SP		07.10.17	75	69	48	49	44	54	65	32	73	75	72						
					33	267	109			-	114	-	330	1162	1441	52.6					



CEF - 170447 (LOT 59)



KLIK VIR VIDEO



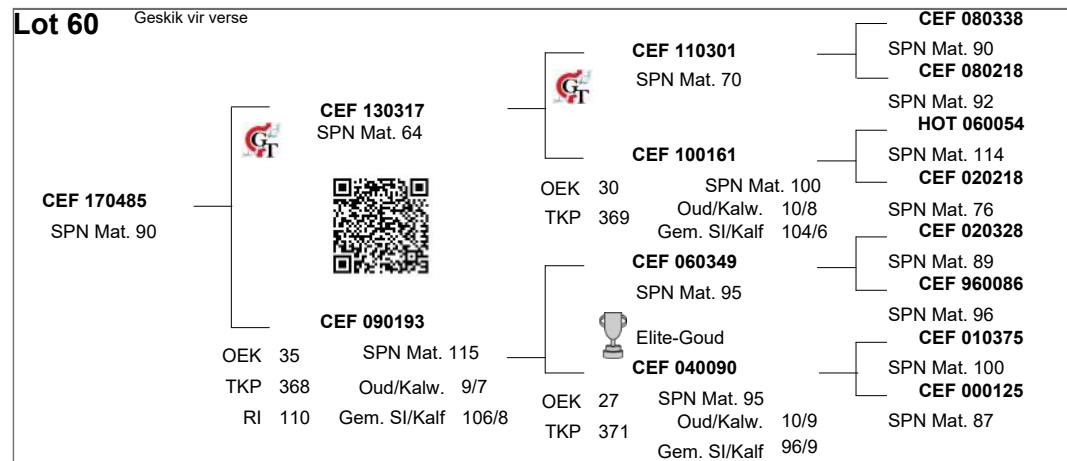
Lot	Seller	ID POLLED Gen	PARENTS		Test	DIRECT CALF TRAITS					DAUGHTER TRAITS			GROWTH		EFF.	REP	MEASURE-MENTS			R:	Semen Users	Breeder Own Remarks	
			SIRE GV PV	DAM GV PV		Progeny Birth Weight	Progeny Wean Weight	Ease of Calving	Milk prod.	Mature Weight	Post Wean Weight	Daily Gain	Feed Conv	Height & Length										
			Breeding Value Indexes					Birth Dir	Wean Dir	Birth Mat	Wean Mat	Mat Wgt	Post Wean	ADG	FCR	SC	Hgt	Lgt	LHR					
59	P.F. SCHEEPERS	CEf 170447 SP	DAJ 140162	CEf 150093	GT	112	102	118	78	100	99	93	94	98	72	86	1.23							
						-0.26	14.1	-0.99	-2.2	9.0	20.8	65	-33	8.4	-22	-6	7.04							
					03.08.17	76	72	49	55	46	58	67	26	75	76	73								
						28	235	107			-		95	-	351	1091	1338	54.8						Geskik vir verse



CEF - 170485 (LOT 60)



KLIK VIR VIDEO



Lot	Seller	ID POLLED Gen	PARENTS		Test	Breeding Value Indexes										Semen Users	Breeder Own Remarks	
			SIRE GV PV	DAM GV PV		DIRECT CALF TRAITS		DAUGHTER TRAITS		GROWTH		EFF.	REP	MEASURE- MENTS				R:
			Genomic Tested DNA	Birth Date	Progeny Birth Weight	Progeny Wean Weight	Ease of Calving	Milk prod.	Mature Weight	Post Wean Weight	Daily Gain	Feed Conv	Height & Length		LHR			BWR
60	P.F. SCHEEPERS	CEF 170485	CEF 130317	GT	104	114	112	90	136	120	106	92	116	93	111	1.23	Gesik vir verse	
					0.64	19.9	-0.75	1.1	50.0	36.1	126	-30	22.5	-4	30	4.5		
		CEF 090193	22.08.17	78	74	57	62	49	64	69	36	76	77	75				
		SP			29	202	104			-		108	-	365	1142	1410	30.3	

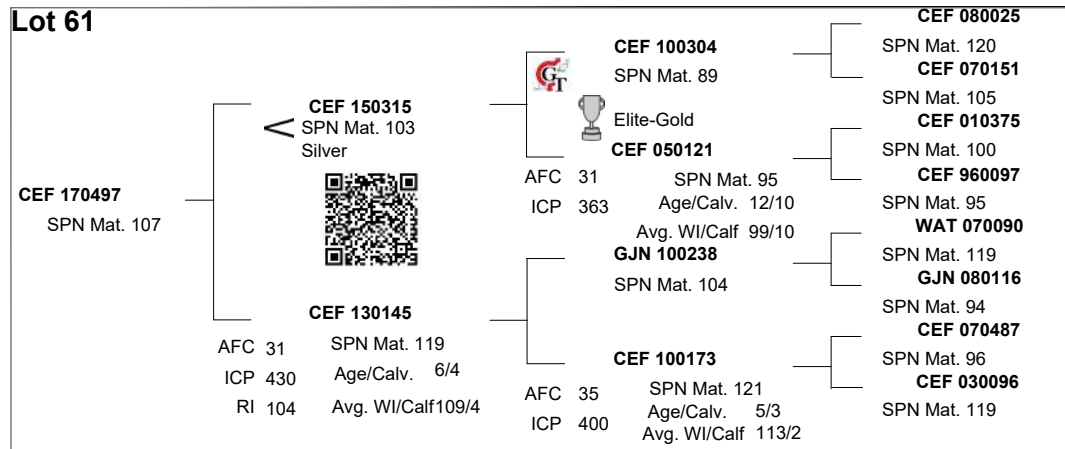


CEF - 170497 (LOT 61)



KLIK VIR VIDEO

Lot 61



Lot	Seller	ID	PARENTS	Test	DIRECT CALF TRAITS					DAUGHTER TRAITS			GROWTH		EFF.	REP	MEASUREMENTS			R:	Semen	Users	Breeder Own Remarks	
					SIRE	GV	PV	Genomic Tested	Birth Dir	Progeny Wean Weight		Ease of Calving	Milk prod.	Mature Weight			Post Wean Weight	Daily Gain	Feed Conv					Height & Length
										Acc	Acc													
61	P.F. SCHEEPERS	CE 170497	CE 150315	GT	76	123		111	107	111	109	112	107	95	114	117	1.21							
					3.55	23.7		-0.68	5.8	22.0	27.9	155	-60	5.7	13	38	6.86							
			CE 130145		76	72		48	53	43	56	66	38	74	75	72								
		SP		25.08.17	37	255	123				-		111	-	339	1200	1451	50						



CEF - 170607 (LOT 63)



KLIK VIR VIDEO

Lot 63 Geskik vir verse, Moer Elite

CEP 170607 P
SPN Mat. 93

VV 130248
SPN Mat. 79

VV 080264
Elite-Silver
AFC 30 SPN Mat. 107
ICP 398 Age/Calv. 9/7
RI 108 Avg. WI/Calf 102/7

AG 090226
SPN Mat. 74

VV 020323
AFC 30 SPN Mat. 97
ICP 385 Age/Calv. 11/9
Avg. WI/Calf 99/9

VV 030423
SPN Mat. 72

VV 020214
Elite-Gold
AFC 36 SPN Mat. 109
ICP 366 Age/Calv. 14/12
Avg. WI/Calf 103/12

AG 030026
SPN Mat. 69

AG 990119
SPN Mat. 85

VV 000233
SPN Mat. 86

VV 000141
SPN Mat. 101

VV 000318
SPN Mat. 87

VV 980155
SPN Mat. 97

VV 990318
SPN Mat. 106

VV 990397
SPN Mat. 129

Lot	Seller	ID	PARENTS	Test	DIRECT CALF TRAITS					DAUGHTER TRAITS			GROWTH		EFF.	REP	MEASURE-MENTS			R:	Semen	Users	Breeder Own Remarks
					Progeny Birth Weight	Progeny Wean Weight	Ease of Calving	Milk prod.	Mature Weight	Post Wean Weight	Daily Gain	Feed Conv	Height & Length	Birth Dir			Wean Dir	Birth Mat	Wean Mat				
					Breeding Value Indexes																		
Lot	Seller	ID	SIRE GV PV	DAM GV PV	Genomic Tested DNA	Birth Dir Acc	Wean Dir			Birth Mat Acc	Wean Mat Acc	Mat Wgt Acc	Post Wean		ADG Acc	FCR Acc	SC Acc	Hgt Acc	Lgt Acc	LHR	BWR	WWR	Breeder Own Remarks
							Wgt kg	Wgt kg	Ind				kg	kg									
63	P.F. SCHEEPERS	CEP 170607	VV 130248	GT		113	116			108	93	107	116		118	106	135	105	112	1.17			Gesik vir verse, Moer Elite
		P	<input checked="" type="checkbox"/>		DNA	-0.34	20.8			-0.56	1.9	18.0	33.1		179	-60	38.0	5	30	6.45			
		SP	<input checked="" type="checkbox"/>	VV 080264	22.10.17	33	256	99						-		118	-	396	1169	1369	47.4		

