



Fourie Scheepers

ZINABOS BONSMARA

COW CATALOGUE



Terms &
Conditions

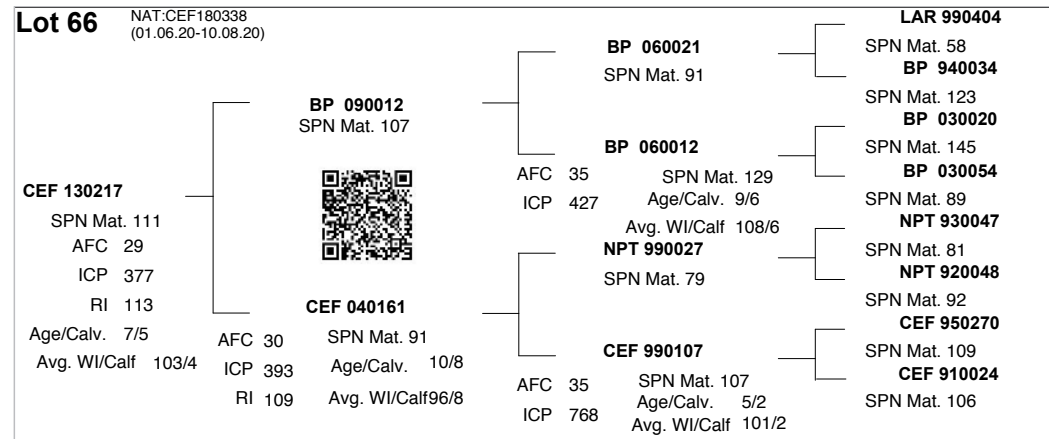
ANDRÉ PRETORIUS
FOTOGRAFIE ©

7 AUG 2020 / 11:00 / VIEW OF COWS 6 AUG 14:00



CEF - 130217 (LOT 66)

COWS WITH CALVES



Lot	Seller	ID POLLED Gen	PARENTS		Test	Breeding Value Indexes										Calf ID	Breeder Own Remarks	
			SIRE GV PV	DAM GV PV		DIRECT CALF TRAITS		DAUGHTER TRAITS		GROWTH		EFF.	REP	MEASURE- MENTS				R:
			Genomic Tested	DNA	Birth Dir	Wean Dir	Birth Mat	Wean Mat	Mat Wgt	Post Wean	ADG	FCR	SC	Hgt	Lgt	LHR	Birth Date (Weight)	
			Birth Date	Wgt kg	Wgt kg	Ind	kg	kg	kg	365dM Ind	540d Ind	Ind	Ind	(mm)	(mm)	(mm)	GT / POLLED	
66	P.F. SCHEEPERS	CEP 130217	BP 090012	PW540	105	91	89	111	97	99	98	97	114	98	98	-	BONMCEF 200386	NAT:CEF180338 ;(01.06.20-10.08.20)
		SP	CEP 040161		0.52	9.1	0.29	7.0	7.0	21.1	87	-41	21.3	0	11	4.36	23.04.20 (39)	
				20.10.13	83	79	76	79	72	72	64	29	70	67	66	BONMLAR 140064		
					25										34.1			



CEF - 150269 (LOT 67)



Lot 67 NAT:CEF180338 (01.06.20-10.08.20)

CEF 150269
SPN Mat. 112
AFC 29
ICP 379
RI 113
Age/Calv. 4/3
Avg. Wl/Calv 113/2

CEF 120367
SPN Mat. 99

CEF 100054
AFC 38
ICP 385
RI 104
Age/Calv. 10/7
Avg. Wl/Calv 100/6

AG 070433
SPN Mat. 89

CEF 080218
AFC 29
ICP 370

VV 040323
SPN Mat. 134
Silver

CEF 040194
AFC 35
ICP 433

VV 040146
SPN Mat. 69
AG 030204
SPN Mat. 101
CEF 060473
SPN Mat. 101
CEF 030199
SPN Mat. 70
VV 010112
SPN Mat. 126
VV 000188
SPN Mat. 110
CEF 010375
SPN Mat. 100
CEF 000156
SPN Mat. 89

SPN Mat. 92
Age/Calv. 7/6
Avg. Wl/Calv 103/6

SPN Mat. 111
Age/Calv. 10/7
Avg. Wl/Calv 100/6

SPN Mat. 93
Age/Calv. 10/7
Avg. Wl/Calv 105/7

Lot	Seller	ID	POLLED	Gen	PARENTS		Test	Breeding Value Indexes										Calf ID	Breeder Own Remarks			
					SIRE	DAM		DIRECT CALF TRAITS		DAUGHTER TRAITS		GROWTH		EFF.	REP	MEASURE-MENTS				R:	CALF AT FOOT	
					GV	PV	Genomic Tested	Birth Dir	Wean Dir	Birth Mat	Wean Mat	Mat Wgt	Post Wean	ADG	FCR	SC	Hgt	Lgt	LHR	Birth Date (Weight)		
					GV	PV	DNA	Acc	Acc	Acc	Acc	Acc	Acc	Acc	Acc	Acc	Acc	Acc	Acc	BWR	Sire	
							Birth Date	Wgt kg	Wgt kg	Ind	kg	kg	kg	365dM	540d Ind	Ind	Ind	(mm)	(mm)	(mm)	WWR	GT / POLLED
67	P.F. SCHEEPERS	CEF 150269			CEF 120367		PW365	85	121	120	112	131	125	125	109	110	107	117	-	23.04.20 (43)	NAT:CEF180338 ;(01.06.20-10.08.20)	
								2.60	23.1	-1.09	7.2	45.0	39.0	212	-65	18.0	7	38	5.03			
		SP			CEF 100054		03.11.15	80	75	69	69	52	59	51	32	54	54	53	42.3	BONMCEF 170391		



CEF - 130100 (LOT 68)



Lot 68 NAT:CEF170445 (01.06.20-10.08.20)

AG 090762
SPN Mat. 74

CEF 130100
SPN Mat. 89
AFC 31
ICP 373
RI 112
Age/Calv. 7/5
Avg. WI/Calf 106/4

AG 000415
AFC 33
ICP 444
SPN Mat. 110
Age/Calv. 17/13
Avg. WI/Calf 104/13

CEF 010357
SPN Mat. 42

CEF 050052
AFC 28
ICP 416
RI 107
SPN Mat. 66
Age/Calv. 11/9
Avg. WI/Calf 89/9

CEF 040431
SPN Mat. 90

CEF 020328
SPN Mat. 89
CEF 950055
SPN Mat. 85
AG 950023
SPN Mat. 96
AG 980005
SPN Mat. 100
CEF 990221
SPN Mat. 77
CEF 980117
SPN Mat. 107
TBB 980102
SPN Mat. 137
CEF 930106
SPN Mat. 95

Lot	Seller	ID POLLED Gen	PARENTS		Test	Breeding Value Indexes										R:	MEASUREMENTS	Calf ID	Breeder Own Remarks
			SIRE GV PV	DAM GV PV		DIRECT CALF TRAITS		DAUGHTER TRAITS		GROWTH		EFF.	REP	MEASUREMENTS					
			Genomic Tested	DNA	Birth Dir	Wean Dir	Birth Mat	Wean Mat	Mat Wgt	Post Wean	ADG	FCR	SC	Hgt	Lgt	LHR	Birth Date (Weight)		
			Birth Date	Birth Date	Wgt kg	Wgt kg	Ind	kg	kg	kg	365dM	540d Ind	Ind	Ind	(mm)	(mm)	(mm)	Sire	
68	P.F. SCHEEPERS	CEF 130100	AG 090762	PW540	89	100	104	89	114	96	82	82	97	92	100	-	BONFCEF 200062	NAT:CEF170445 ;(01.06.20-10.08.20)	
		SP			2.24	13.3	-0.38	0.7	25.0	19.3	14	-9	7.3	-5	14	4.88	06.04.20 (35)		
			CEF 050052		18.08.13	83	79	77	80	67	72	58	24	61	61	60	31.8		BONMCEF 170391



CEF - 100150 (LOT 70)



Lot 70 NAT:CEF180307 (24.04.20-14.05.20)
NAT:VV160038 (14.05.20-04.05.20)

CEF 100150
SPN Mat. 86
AFC 28
ICP 376
RI 114
Age/Calv. 10/8
Avg. WI/Calv 98/6

CEF 070468
SPN Mat. 93

Elite-Gold
CEF 030068
AFC 28
ICP 366
RI 116
SPN Mat. 83
Age/Calv. 11/10
Avg. WI/Calv100/9

CEF 030447
SPN Mat. 98

CEF 000042
AFC 29
ICP 371
SPN Mat. 108
Age/Calv. 12/10
Avg. WI/Calv 107/9

Elite-Gold
CEF 990287
SPN Mat. 98

CEF 990157
AFC 27
ICP 393
SPN Mat. 91
Age/Calv. 15/13
Avg. WI/Calv 99/13

CEF 990287
SPN Mat. 98

CEF 940048
SPN Mat. 109
CEF 980244
SPN Mat. 86
CEF 970137
SPN Mat. 90
CEF 950270
SPN Mat. 109
CEF 930129
SPN Mat. 110
PHR 940237
SPN Mat. 98
CTZ 910031
SPN Mat. 78

Lot	Seller	ID	POLLED	Gen	PARENTS		Test	Breeding Value Indexes										Calf ID	Breeder Own Remarks			
					SIRE	DAM		DIRECT CALF TRAITS		DAUGHTER TRAITS		GROWTH		EFF.	REP	MEASURE-MENTS				R:	CALF AT FOOT	
					GV	PV	Genomic Tested	Birth Dir	Wean Dir	Birth Mat	Wean Mat	Mat Wgt	Post Wean	ADG	FCR	SC	Hgt	Lgt	LHR	Birth Date (Weight)		
					GV	PV	DNA	Acc	Acc	Acc	Acc	Acc	Acc	Acc	Acc	Acc	Acc	Acc	BWR	Sire		
							Birth Date	Wgt kg	Wgt kg	Ind	kg	kg	kg	365dM Ind	540d Ind	Ind	Ind	(mm)	(mm)	(mm)		WT
70	P.F. SCHEEPERS	CEF 100150		SP	CEF 070468		PW365	110	104	105	86	84	99	89	94	91	89	93	-	23.03.20 (36)	NAT:CEF180307 ;(24.04.20-14.05.20) ;NAT:VV160038 ;(14.05.20-04.05.20)	
								0.01	15.2	-0.42	0.0	-8.0	21.4	46	-34	2.3	-8	5	6.68			
					CEF 030068		08.09.10	86	81	82	84	70	68	60	29	64	65	63	48.3			



CEF - 100143 (LOT 71)



Lot 71 NAT:CEF180307 (24.04.20-14.05.20)
NAT:VV160038 (14.05.20-04.08.20)

CE 100143
SPN Mat. 85
AFC 31
ICP 366
RI 114
Age/Calv. 10/8
Avg. Wl/Calv 98/7

CE 070473
SPN Mat. 79

CE 040431
SPN Mat. 90

CE 000179
AFC 30
ICP 442
SPN Mat. 114
Age/Calv. 12/9
Avg. Wl/Calv 103/8

CE 010375
SPN Mat. 100

CE 040090
Elite-Gold
AFC 27
ICP 371
RI 116
SPN Mat. 95
Age/Calv. 10/9
Avg. Wl/Calv 96/9

CE 020328
SPN Mat. 89
CE 950055
SPN Mat. 85
SAS 960037
SPN Mat. 123
AG 920059
SPN Mat. 95
CE 950270
SPN Mat. 109
CE 960086
SPN Mat. 96
LAR 970024
SPN Mat. 77
CE 970013
SPN Mat. 89

CE 000125
AFC 32
ICP 386
SPN Mat. 87
Age/Calv. 12/10
Avg. Wl/Calv 100/9

Lot	Seller	ID	POLLED	Gen	PARENTS		Test	Breeding Value Indexes										Calf ID	Breeder Own Remarks		
					SIRE	DAM		DIRECT CALF TRAITS		DAUGHTER TRAITS		GROWTH		EFF.	REP	MEASURE-MENTS				R:	CALF AT FOOT
					GV	PV	Genomic Tested	Birth Dir	Wean Dir	Birth Mat	Wean Mat	Mat Wgt	Post Wean	ADG	FCR	SC	Hgt	Lgt	LHR	Birth Date (Weight)	
					GV	PV	DNA	Acc	Acc	Acc	Acc	Acc	Acc	Acc	Acc	Acc	Acc	Acc	BWR	Sire	
							Birth Date	Wgt kg	Wgt kg	Ind	kg	kg	kg	365dM	540d Ind	Ind	Ind	(mm)	(mm)	(mm)	GT / POLLED
71	P.F. SCHEEPERS	CEF 100143		SP	CEF 070473	PW365		78	104	99	85	87	105	88	91	90	81	89	-	BONMCEF 200364	NAT:CEF180307 ;(24.04.20-14.05.20) ;NAT:VV160038 ;(14.05.20-04.08.20)
								3.37	14.9	-0.15	-0.2	-5.0	25.3	42	-28	1.5	-14	-1	7.31	31.03.20 (46)	
					CEF 040090	09.09.10		85	81	81	84	72	65	63	26	69	67	65		BONMLAR 160004	
								38											42.7		



CEF - 100112 (LOT 72)



Lot 72 NAT:CEF180307 (24.04.20-14.05.20)
NAT:VV160038 (14.05.20-04.08.20)

CE 100112
SPN Mat. 93
OEK 31
TKP 364
RI 114
Oud/Kalw. 10/8
Gem. SI/Kalf 96/7

CE 070468
SPN Mat. 93

CE 030165
OEK 30
TKP 382
RI 112
SPN Mat. 100
Oud/Kalw. 11/9
Gem. SI/Kalf99/8

CE 030447
SPN Mat. 98

CE 000042
OEK 29
TKP 371
SPN Mat. 108
Oud/Kalw. 12/10
Gem. SI/Kalf 107/9
V 970132
SPN Mat. 110

CE 990287
SPN Mat. 98
CE 940048
SPN Mat. 109
CE 980244
SPN Mat. 86
CE 970137
SPN Mat. 90
V 940256
SPN Mat. 91
V 920129
SPN Mat. 131
HJL 940147
SPN Mat. 105
COM 950071
SPN Mat. 73

CE 990058
OEK 36
TKP 377
SPN Mat. 99
Oud/Kalw. 7/5
Gem. SI/Kalf 106/5

Lot	Seller	ID	POLLED	Gen	PARENTS		Test	Breeding Value Indexes										Calf ID	Breeder Own Remarks		
					SIRE	DAM		DIRECT CALF TRAITS		DAUGHTER TRAITS		GROWTH		EFF.	REP	MEASURE-MENTS				R:	CALF AT FOOT
					GV	PV	Genomic Tested	Birth Dir	Wean Dir	Birth Mat	Wean Mat	Mat Wgt	Post Wean	ADG	FCR	SC	Hgt	Lgt	LHR	Birth Date (Weight)	
					GV	PV	DNA	Acc	Acc	Acc	Acc	Acc	Acc	Acc	Acc	Acc	Acc	Acc	BWR	Sire	
							Birth Date	Wgt kg	Wgt kg	Ind	kg	kg	kg	365dM Ind	540d Ind	Ind	Ind	(mm)	(mm)	(mm)	
72	P.F. SCHEEPERS	CEF 100112			CEF 070468		NS365	112	86	85	93	105	91	93	96	91	102	96	-	18.03.20 (39)	NAT:CEF180307 ;(24.04.20-14.05.20) ;NAT:VV160038 ;(14.05.20-04.08.20)
							DNS	-0.27	7.1	0.47	1.9	15.0	15.1	63	-37	2.5	3	8	-		
		SP			CEF 030165		21.08.10	30					66	67	42	72	72	71	33.8	BONFCEF 200040 BONMLAR 160004	



CEF - 100166 (LOT 74)



Lot 74 NAT:CEF180307 (24.04.20-14.05.20)
NAT:VV160038 (14.05.20-04.08.20)

CEf 100166
SPN Mat. 98
OEK 31
TKP 364
RI 114
Oud/Kalw. 10/8
Gem. SI/Kalf 101/6

HOT 060054
SPN Mat. 114
Brons

CEf 050167
OEK 30
TKP 388
RI 110
SPN Mat. 75
Oud/Kalw. 10/8
Gem. SI/Kalf92/7

DB 000045
SPN Mat. 127

SAS 000143
OEK 31
TKP 449
SPN Mat. 85
Oud/Kalw. 10/7
Gem. SI/Kalf 99/7

CEf 030419
SPN Mat. 72

CEf 030028
OEK 30
TKP
SPN Mat. 83
Oud/Kalw. 3/1
Gem. SI/Kalf 100/1

AG 960059
SPN Mat. 110
HOT 920186
SPN Mat. 112
V 940377
SPN Mat. 95
ASE 950148
SPN Mat. 89
CEf 990259
SPN Mat. 85
CEf 920097
SPN Mat. 97
HJL 950166
SPN Mat. 62
CEf 000131
SPN Mat. 101

Lot	Seller	ID POLLED Gen	PARENTS		Test	Breeding Value Indexes										R:	MEASUREMENTS	EFF.	REP	Calf ID	Breeder Own Remarks
			SIRE GV PV	DAM GV PV		Progeny Birth Weight	Progeny Wean Weight	Ease of Calving	Milk prod.	Mature Weight	Post Wean Weight	Daily Gain	Feed Conv	Height & Length	CALF AT FOOT						
					Genomic Tested DNA	Birth Dir	Wean Dir	Birth Mat	Wean Mat	Mat Wgt	Post Wean	ADG	FCR	SC	Hgt	Lgt	LHR	Birth Date (Weight) Sire			
						Birth Date	Wgt kg	Wgt kg	Ind	kg	kg	kg	365dM Ind	540d Ind	Ind	Ind	(mm)			(mm)	(mm)
74	P.F. SCHEEPERS	CEF 100166	HOT 060054	NS365	92	109	98	98	103	116	102	93	117	111	106	-	7.43	08.04.20 (39)	NAT:CEF180307 ;(24.04.20-14.05.20) ;NAT:VV160038 ;(14.05.20-04.08.20)		
		SP	CEf 050167	26.09.10	37														45.4		



CEF - 100111 (LOT 75)



Lot 75 NAT:CEF180307 (24.04.20-14.05.20)
NAT:VV160038 (14.05.20-04.08.20)

CEF 100111
SPN Mat. 90
OEK 31
TKP 363
RI 114
Oud/Kalw. 10/8
Gem. SI/Kalf 99/7

CEF 060478
SPN Mat. 67

CEF 030416
SPN Mat. 50

CEF 010150
OEK 30
TKP 434
SPN Mat. 93
Oud/Kalw. 6/4
Gem. SI/Kalf 103/4

NPT 930047
SPN Mat. 81

CEF 930142
OEK 35
TKP 366
SPN Mat. 126
Oud/Kalw. 11/9
Gem. SI/Kalf 106/9

CEF 010375
SPN Mat. 100
CEF 000022

CEF 990287
SPN Mat. 93

CEF 980039
SPN Mat. 98
CEF 980039

BP 900057
SPN Mat. 64

NPT L 0087
SPN Mat. 94

PCG H 0018
SPN Mat. 100

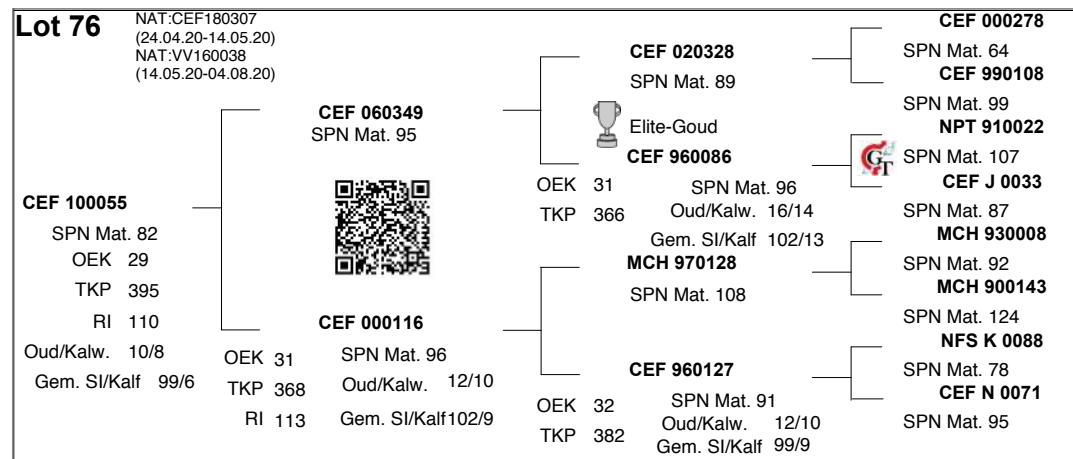
CEF L 0006
SPN Mat. 113
SPN Mat. 94

CEF 020213
OEK 30
TKP 409
RI 107
SPN Mat. 97
Oud/Kalw. 14/11
Gem. SI/Kalf 98/8

Lot	Seller	ID POLLED Gen	PARENTS		Test	Breeding Value Indexes										R:	MEASUREMENTS	Calf ID	Breeder Own Remarks			
			SIRE GV PV	DAM GV PV		Birth Dir	Wean Dir	Birth Mat	Wean Mat	Mat Wgt	Post Wean	ADG	FCR	SC	Hgt					Lgt	LHR	Birth Date (Weight)
					DNA	Acc	Acc	Acc	Acc	Acc	Acc	Acc	Acc	Acc	Acc	Acc	Acc	WWR	Sire			
					Birth Date	Wgt kg	Wgt kg	Ind	kg	kg	kg	365dM Ind	540d Ind	Ind	Ind	(mm)	(mm)	(mm)		GT / POLLED		
75	P.F. SCHEEPERS	CEF 100111	CEF 060478	NS365		103	101	100	90	87	103	98	98	97	100	99	-	BONFCEF 200007	NAT:CEF180307 ;(24.04.20-14.05.20) ;NAT:VV160038 ;(14.05.20-04.08.20)			
					0.71	13.6	-0.20	0.9	-4.0	24.1	86	-41	7.4	2	13	5.7	02.03.20 (37)					
		CEF 020213	23.08.10	34													39.4	BONMCEF 150315				



CEF - 100055 (LOT 76)



Lot	Seller	ID POLLED Gen	PARENTS		Test	Breeding Value Indexes											R:	Calf ID	Breeder Own Remarks
			SIRE GV PV	DAM GV PV		DIRECT CALF TRAITS		DAUGHTER TRAITS		GROWTH		EFF.	REP	MEASUREMENTS					
			Genomic Tested	DNA	Birth Dir	Wean Dir	Ease of Calving	Milk prod.	Mature Weight	Post Wean Weight	Daily Gain	Feed Conv	Height & Length	CALF AT FOOT		Birth Date (Weight)			
			Birth Date	Wgt kg	Wgt kg	Ind	kg	kg	kg	365dM Ind	540d Ind	Ind	Ind	(mm)	(mm)	(mm)	GT / POLLED		
76	P.F. SCHEEPERS	CEF 100055 SP	CEF 060349 NS540	CEF 000116 06.04.10	69	140	112	82	151	136	103	105	85	100	108	-	BONMCEF 200350	NAT:CEF180307 ;(24.04.20-14.05.20) ;NAT:VV160038 ;(14.05.20-04.08.20)	
					4.36	31.4	-0.73	-1.3	67.0	47.0	110	-56	-2.2	2	25	6.45	19.03.20 (40)		
					86	82	82	83	74	74	62	30	67	67	66				
					40											35			



CEF - 100171 (LOT 77)



Lot 77 NAT:CEF180307 (24.04.20-14.05.20)
NAT:VV160038 (14.05.20-04.08.20)

CE 070468
SPN Mat. 93

CE 050127
SPN Mat. 90

CE 030447
SPN Mat. 98

CE 000042
SPN Mat. 108

CE 010375
SPN Mat. 100

CE 960127
SPN Mat. 91

CE 990287
SPN Mat. 98

CE 940048
SPN Mat. 109

CE 980244
SPN Mat. 86

CE 970137
SPN Mat. 90

CE 950270
SPN Mat. 109

CE 960086
SPN Mat. 96

NFS K 0088
SPN Mat. 78

CE N 0071
SPN Mat. 95

CE 100171
SPN Mat. 95
OEK 30
TKP 363
RI 114
Oud/Kalw. 9/8
Gem. SI/Kalf 100/7

CE 050127
OEK 31
TKP 387
RI 110
Oud/Kalw. 14/12
Gem. SI/Kalf 94/11

CE 030447
OEK 29
TKP 371

CE 000042
Oud/Kalw. 12/10
Gem. SI/Kalf 107/9

CE 010375
Oud/Kalw. 12/10
Gem. SI/Kalf 99/9

CE 960127
Oud/Kalw. 12/10
Gem. SI/Kalf 99/9

FEMALE ANIMALS

Lot	Seller	ID	PARENTS	Test	DIRECT CALF TRAITS					DAUGHTER TRAITS			GROWTH		EFF.	REP	MEASUREMENTS			R:	Calf ID	Breeder Own Remarks									
					Progeny Birth Weight	Progeny Wean Weight	Ease of Calving	Milk prod.	Mature Weight	Post Wean Weight	Daily Gain	Feed Conv	Height & Length	Birth Dir			Wean Dir	Birth Mat	Wean Mat				Mat Wgt	Post Wean	ADG	FCR	SC	Hgt	Lgt	LHR	Birth Date (Weight)
				Breeding Value Indexes																	Calf ID	Breeder Own Remarks									
		POLLED		SIRE		Genomic Tested	Birth Dir		Wean Dir		Mat Wgt	Post Wean	ADG	FCR	SC	Hgt	Lgt	BWR	WWR	Birth Date (Weight)											
		DAM		GV PV			Acc		Acc												Acc		Acc		Acc		Acc		Sire		
				GV PV		Birth Date		Wgt kg		Ind		kg		kg		kg		365dM Ind		540d Ind		Ind		(mm)		(mm)		(mm)		GT / POLLED	
77	P.F. SCHEEPERS	CEF 100171	CEF 070468	NS365	92	92	103	95	85	96	73	84	73	81	86	-	BONMCEF 200337	NAT:CEF180307 ;(24.04.20-14.05.20) ;NAT:VV160038 ;(14.05.20-04.08.20)													
			CEF 050127		1.89	9.8	-0.33	2.4	-7.0	18.6	-28	-13	-12.3	-14	-6	7.77	14.03.20 (37)														
		SP	15.09.10	38												37.9	BONMLAR 160004														



VV - 100006 (LOT 79)



Lot 79 NAT:CEF180307 (24.04.20-14.05.20)
NAT:VV160038 (14.05.20-04.08.20)

VV 100006 Elite-Silver
SPN Mat. 119
AFC 30
ICP 386
RI 111
Age/Calv. 10/8
Avg. Wt/Calv 102/7

VV 070012 SPN Mat. 111 Gold
AFC 31
ICP 420

VV 040046 SPN Mat. 114
AFC 31
ICP 420

VV 040214 SPN Mat. 113
Age/Calv. 7/5
Avg. Wt/Calv 102/5

VV 960318 SPN Mat. 77
AFC 25
ICP 419

VV 920119 SPN Mat. 104
Age/Calv. 14/11
Avg. Wt/Calv 101/11

VV 010292 SPN Mat. 129
VV 000092 SPN Mat. 100
VV 020021 SPN Mat. 95
VV 020053 SPN Mat. 113
VV 930016 SPN Mat. 106
V E 0174 SPN Mat. 100
AG H 0116 SPN Mat. 85
JVD J 0021 SPN Mat. 111

Lot	Seller	ID	POLLED	Gen	PARENTS		Test	Breeding Value Indexes										R:	Calf ID	Breeder Own Remarks	
					SIRE	DAM		DIRECT CALF TRAITS		DAUGHTER TRAITS		GROWTH		EFF.	REP	MEASUREMENTS					Birth Date (Weight)
					GV	PV	Genomic Tested	Birth Dir	Wean Dir	Birth Mat	Wean Mat	Mat Wgt	Post Wean	ADG	FCR	SC	Hgt	Lgt	LHR	Birth Date (Weight)	
					GV	PV	DNA	Acc	Acc	Acc	Acc	Acc	Acc	Acc	Acc	Acc	Acc	Acc	BWR	Sire	
					GV	PV	Birth Date	Wgt kg	Wgt kg	Ind	kg	kg	kg	365dM Ind	540d Ind	Ind	Ind	(mm)	(mm)	(mm)	WT
79	P.F. SCHEEPERS	VV 100006		SP	VV 070012		PW540	87	116	118	119	100	114	115	110	122	115	116	-	03.03.20 (47)	NAT:CEF180307 ;(24.04.20-14.05.20) ;NAT:VV160038 ;(14.05.20-04.08.20)
					VV 990217		DNA	2.36	20.7	-1.02	9.3	9.0	31.7	167	-68	27.2	14	36	5.01		
							21.04.10	86	83	82	85	74	74	65	48	68	69	68	33		



CEF - 150037 (LOT 80)

PREGNANT COWS



Lot 80 NAT:CEF150315 (08.11.19-10.02.20)

CEF 120367
SPN Mat. 99

CEF 150037
SPN Mat. 102
AFC 31
ICP 359
RI 112
Age/Calv. 5/3
Avg. Wt/Calf 106/3

CEF 110143
SPN Mat. 95
AFC 30
ICP 374
RI 112
Age/Calv. 9/7
Avg. Wt/Calf 103/6

AG 070433
SPN Mat. 89

CEF 080218
AFC 29
ICP 370
SPN Mat. 92
Age/Calv. 7/6
Avg. Wt/Calf 103/6

HOT 060054
SPN Mat. 114
Bronze

CEF 070196
AFC 33
ICP 413
SPN Mat. 78
Age/Calv. 5/3
Avg. Wt/Calf 106/3

VV 040146
SPN Mat. 69
AG 030204
SPN Mat. 101
CEF 060473
SPN Mat. 101
CEF 030199
SPN Mat. 70
DB 000045
SPN Mat. 127
SAS 000143
SPN Mat. 85
CEF 050317
SPN Mat. 56
CEF 000155
SPN Mat. 87

Lot	Seller	ID	PARENTS	Test	Breeding Value Indexes										R:	Calf ID	Breeder Own Remarks		
					DIRECT CALF TRAITS		DAUGHTER TRAITS		GROWTH		EFF.	REP	MEASURE-MENTS					R:	Calf AT FOOT
					Progeny Birth Weight	Progeny Wean Weight	Ease of Calving	Milk prod.	Mature Weight	Post Wean Weight			Daily Gain	Feed Conv					
Gen	SIRE GV PV	DAM GV PV	Genomic Tested	DNA	Birth Dir	Wean Dir	Birth Mat	Wean Mat	Mat Wgt	Post Wean	ADG	FCR	SC	Hgt	Lgt	LHR	Birth Date (Weight)		
				Birth Date	Acc	Acc	Acc	Acc	Acc	Acc	Acc	Acc	Acc	Acc	Acc	Acc	BWR	Sire	
					Wgt kg	Wgt kg	kg	kg	kg	365dM	540d Ind	Ind	Ind	(mm)	(mm)	(mm)	WWR	GT / POLLED	
80	P.F. SCHEEPERS	CEF 150037	CEF 120367	PW540	88	121	122	102	137	126	120	102	116	119	119	-	276	NAT:CEF150315 ;(08.11.19-10.02.20)	
					2.32	23.1	-1.20	4.4	51.0	40.1	189	-51	22.7	17	41	7.71	5.3		
		SP	CEF 110143	22.03.15	80	76	69	74	70	68	50	26	54	55	53		3		



CEF - 120032 (LOT 81)



Lot 81 NAT: LAR140064 (07.11.19-10.02.20)

CEP 120032
 SPN Mat. 91
 AFC 29
 ICP 366
 RI 115
 Age/Calv. 7/6
 Avg. WI/Calf 99/6

LAR 050159
 SPN Mat. 97

CEP 040030
 AFC 29
 ICP 414
 RI 106
 Age/Calv. 10/8
 Avg. WI/Calf 94/8

LAR 000084
 SPN Mat. 103
 Elite-Gold
LAR 000227
 SPN Mat. 131
 Age/Calv. 13/11
 Avg. WI/Calf 105/10

RCO 970028
 SPN Mat. 104

CEP 960072
 AFC 31
 ICP 382
 SPN Mat. 58
 Age/Calv. 16/14
 Avg. WI/Calf 95/14

AG 960059
 SPN Mat. 110
LAR 970205
 SPN Mat. 83
VV 960318
 SPN Mat. 77
LAR 920121
 SPN Mat. 154
JRB H 0157
 SPN Mat. 99
RCO 940154
 SPN Mat. 93
NFS 910339
 SPN Mat. 43
CEP 930035
 SPN Mat. 102

Lot	Seller	ID POLLED Gen	PARENTS		Test Genomic Tested DNA Birth Date	DIRECT CALF TRAITS					DAUGHTER TRAITS			GROWTH		EFF.	REP	MEASURE-MENTS			R:	Calf ID	Breeder Own Remarks	
			SIRE GV PV	DAM GV PV		Progeny Birth Weight	Progeny Wean Weight	Ease of Calving	Milk prod.	Mature Weight	Post Wean Weight	Daily Gain	Feed Conv	Height & Length				LHR	BWR	WWR				Birth Date (Weight) Sire
			Acc	Acc		kg	kg	kg	kg	kg	365dM Ind	540d Ind	Ind	Ind	(mm)									
81	P.F. SCHEEPERS	CEF 120032 SP	LAR 050159	CEP 040030	PW365	92	108	138	91	99	105	102	102	96	95	94	-	317	8.3	6.08	35.8	6	NAT: LAR140064 ; (07.11.19-10.02.20)	
						1.92	17.0	-1.90	1.3	9.0	25.2	108	-50	6.1	-3	6								
					24.03.12	84	81	78	83	72	70	63	36	68	68	67								



CEF - 140088 (LOT 82)



Lot 82 NAT:DAJ150086 (30.10.19-10.02.20)

CEF 140088
 SPN Mat. 110
 AFC 25
 ICP 376
 RI 119
 Age/Calv. 5/4
 Avg. WI/Calf 103/4

CEF 120459
 SPN Mat. 128

CEF 120089
 AFC 27
 ICP 117
 SPN Mat. 73
 Age/Calv. 2/1
 Avg. WI/Calf 98/1

CEF 100481
 SPN Mat. 121

CEF 100071
 AFC 28
 ICP
 SPN Mat. 119
 Age/Calv. 2/1
 Avg. WI/Calf 105/1

CEF 080426
 SPN Mat. 62

CEF 080052
 AFC 35
 ICP 368
 SPN Mat. 79
 Age/Calv. 10/8
 Avg. WI/Calf 92/7

CEF 080451
 SPN Mat. 88
CEF 070064
 SPN Mat. 124
CEF 070386
 SPN Mat. 84
CEF 070174
 SPN Mat. 132
CEF 040460
 SPN Mat. 101
CEF 000050
 SPN Mat. 109
VV 040046
 SPN Mat. 114
CEF 020073
 SPN Mat. 76

Lot	Seller	ID	POLLED	Gen	PARENTS		Test	Breeding Value Indexes										Calf ID	Breeder Own Remarks		
					SIRE	DAM		DIRECT CALF TRAITS		DAUGHTER TRAITS		GROWTH		EFF.	REP	MEASURE-MENTS				R:	CALF AT FOOT
					GV	PV	Genomic Tested	Birth Dir	Wean Dir	Birth Mat	Wean Mat	Mat Wgt	Post Wean	ADG	FCR	SC	Hgt	Lgt	LHR	Birth Date (Weight)	
					DAM	PV	DNA	Acc	Acc	Acc	Acc	Acc	Acc	Acc	Acc	Acc	Acc	Acc	BWR	Sire	
					GV	PV	Birth Date	Wgt kg	Wgt kg	Ind	kg	kg	kg	365dM	540d Ind	Ind	Ind	(mm)	(mm)	(mm)	
82	P.F. SCHEEPERS	CEF 140088		SP	CEF 120459		PW365	119	94	81	110	103	102	94	90	83	81	91	-	277	NAT:DAJ150086 (30.10.19-10.02.20)
							DNA	-1.03	10.4	0.68	6.7	14.0	23.4	66	-26	-4.0	-14	2	7.14	5.9	
					CEF 120089		05.08.14	27					62	53	49	54	55	55	42.9	4	



CEF - 130197 (LOT 83)



Lot 83 NAT: LAR140064 (07.11.19-10.02.20)

CE 130197
 SPN Mat. 112
 AFC 35
 ICP 364
 RI 107
 Age/Calv. 6/4
 Avg. WI/Calv 107/3

HWB 080171
 SPN Mat. 101

CE 100036
 AFC 30
 ICP 362
 RI 115
 Age/Calv. 9/8
 Avg. WI/Calv 101/8

WAT 040348
 SPN Mat. 68

HWB 060023
 AFC 30
 ICP 365
 SPN Mat. 107
 Age/Calv. 6/5
 Avg. WI/Calv 102/5

GCD 030148
 SPN Mat. 115

CE 020206
 AFC 32
 ICP 368
 SPN Mat. 83
 Age/Calv. 13/11
 Avg. WI/Calv 98/11

WAT 000200
 SPN Mat. 113
WAT 980245
 SPN Mat. 71
WAT 000226
 SPN Mat. 82
HWB 980155
 SPN Mat. 99
EI 940339
 SPN Mat. 117
GCD 940031
 SPN Mat. 115
CE 990221
 SPN Mat. 77
CE 980089
 SPN Mat. 88

Lot	Seller	ID	POLLED	Gen	PARENTS		Test	Breeding Value Indexes										R:	Calf ID	Breeder Own Remarks				
					SIRE	PV		Birth Dir	Wean Dir	Birth Mat	Wean Mat	Mat Wgt	Post Wean	ADG	FCR	SC	Hgt				Lgt	LHR	Birth Date (Weight)	
					DAM		DNA	Acc	Acc	Acc	Acc	Acc	Acc	Acc	Acc	Acc	WWR	Sire						
					GV	PV	Birth Date	Wgt kg	Wgt kg	Ind	kg	kg	kg	365dM	540d Ind	Ind	Ind	(mm)	(mm)	(mm)		GT / POLLED		
83	P.F. SCHEEPERS	CEF 130197			HWB 080171		PW540	86	113	99	112	109	113	107	105	112	105	104	-	310	NAT: LAR140064 (07.11.19-10.02.20)			
							DNA	2.52	19.5	-0.15	7.1	20.0	31.1	130	-56	19.2	6	20	5.77	6.7				
		SP	CEF 100036		01.10.13	30														51.4		4		



CEF - 150145 (LOT 86)



Lot 86 NAT: LAR140064 (07.11.19-10.02.20)

CE 150145
 SPN Mat. 131
 OEK 31
 TKP 483
 RI 100
 Oud/Kalw. 4/2
 Gem. SI/Kalf 112/2

CE 130548
 SPN Mat. 136

CE 130082
 SPN Mat. 94
 Oud/Kalw. 6/5
 Gem. SI/Kalf 98/4

GJN 100238
 SPN Mat. 104
 Elite-Silwer

CE 110046
 OEK 30
 TKP 366
 SPN Mat. 136
 Oud/Kalw. 9/7
 Gem. SI/Kalf 109/7

WAT 080080
 SPN Mat. 67
 Elite-Goud

CE 090121
 OEK 31
 TKP 368
 SPN Mat. 130
 Oud/Kalw. 11/9
 Gem. SI/Kalf 111/7

WAT 070090
 SPN Mat. 119
GJN 080116
 SPN Mat. 94
CE 080435
 SPN Mat. 103
CE 080110
 SPN Mat. 132
WAT 000200
 SPN Mat. 113
WAT 020167
 SPN Mat. 54
LAR 050023
 SPN Mat. 98
CE 990033
 SPN Mat. 98

Lot	Seller	ID	PARENTS	Test	Breeding Value Indexes										R:	MEASUREMENTS	Calf ID	Breeder Own Remarks
					DIRECT CALF TRAITS		DAUGHTER TRAITS		GROWTH		EFF.	REP	R:					
			SIRE GV PV	Genomic Tested	Progeny Birth Weight	Progeny Wean Weight	Ease of Calving	Milk prod.	Mature Weight	Post Wean Weight	Daily Gain	Feed Conv		Height & Length				
		POLLED	DAM GV PV	DNA	Birth Dir	Wean Dir	Birth Mat	Wean Mat	Mat Wgt	Post Wean	ADG	FCR	SC	Hgt	Lgt	LHR	Birth Date (Weight)	
		Gen		Birth Date	Acc	Acc	Acc	Acc	Acc	Acc	Acc	Acc	Acc	Acc	Acc	BWR	Sire	
					Wgt kg	Wgt kg	Ind	kg	kg	kg	Ind	Ind	(mm)	(mm)	(mm)	WWR	GT / POLLED	
86	P.F. SCHEEPERS	CEF 150145	CEF 130548	NS365	109	111	94	131	78	114	105	99	100	94	107	-	343	
					0.07	18.3	0.10	12.4	-15.0	31.3	121	-45	9.5	-4	24	7.79	4.9	
		SP	CEF 130082	15.08.15	30	80	76	65	70	59	62	57	18	59	59	58		2
NAT: LAR140064 ;(07.11.19-10.02.20)																		



CEF - 150210 (LOT 87)



Lot 87 NAT:CEF150315 (08.11.19-10.02.20)

CE 150210
SPN Mat. 98
OEK 31
TKP 472
RI 103
Oud/Kalw. 4/2
Gem. SI/Kalf 98/2

CE 120367
SPN Mat. 99

CE 100083
Elite-Silwer

AG 070433
SPN Mat. 89

CE 080218
SPN Mat. 92
Oud/Kalw. 7/6
Gem. SI/Kalf 103/6

CE 060222
SPN Mat. 100
Oud/Kalw. 8/7
Gem. SI/Kalf 107/7

VV 040146
SPN Mat. 69
AG 030204
SPN Mat. 101
CE 060473
SPN Mat. 101
CE 030199
SPN Mat. 70
SPN Mat.
SPN Mat.
CE 030447
SPN Mat. 98
CE 030020
SPN Mat. 77

OEK 29
TKP 370

OEK 28
TKP 367
RI 116

SPN Mat. 108
Oud/Kalw. 9/8
Gem. SI/Kalf 104/8

OEK 30
TKP 362

CE 150210 pedigree diagram showing relationships between various CEF and AG numbers.

Lot	Seller	ID POLLED Gen	PARENTS		Test	Breeding Value Indexes										R:	MEASUREMENTS	EFF.	REP	Calf ID	Breeder Own Remarks
			SIRE GV PV	DAM GV PV		Progeny Birth Weight	Progeny Wean Weight	Ease of Calving	Milk prod.	Mature Weight	Post Wean Weight	Daily Gain	Feed Conv	Height & Length	CALF AT FOOT						
					Genomic Tested	Birth Dir	Wean Dir	Birth Mat	Wean Mat	Mat Wgt	Post Wean	ADG	FCR	SC	Hgt	Lgt	LHR	Birth Date (Weight)			
					DNA	Acc	Acc	Acc	Acc	Acc	Acc	Acc	Acc	Acc	Acc	Acc	BWR	Sire			
					Birth Date	Wgt kg	Wgt kg	Ind	kg	kg	kg	365dM	540d Ind	Ind	Ind	(mm)	(mm)	WWR	GT / POLLED		
87	P.F. SCHEEPERS	CEF 150210 B	CEF 120367	NS365		105	113	125	98	144	113	112	99	114	106	113	-	343			
			CEF 100083	DNS		0.53	19.5	-1.33	3.2	59.0	30.9	151	-44	21.1	6	32	6.8	4.8			
				20.09.15		34													40.2	2	
																				NAT:CEF150315 ;(08.11.19-10.02.20)	



CEF - 100133 (LOT 91)



Lot 91 NAT:DAJ150086 (30.10.19-10.02.20)

Elite-Silver
CEF 100133
 SPN Mat. 103
 AFC 31
 ICP 393
 RI 109
 Age/Calv. 9/7
 Avg. WI/Calv 104/7

CEF 070473
 SPN Mat. 79

CEF 040431
 SPN Mat. 90

CEF 000179
 AFC 30
 ICP 442
 SPN Mat. 114
 Age/Calv. 12/9
 Avg. WI/Calv 103/8

SAS 960037
 SPN Mat. 123

CEF 010098
 AFC 30
 ICP 387
 RI 110
 SPN Mat. 114
 Age/Calv. 10/8
 Avg. WI/Calv 101/8

CEF 900104
 AFC 31
 ICP 378
 SPN Mat. 94
 Age/Calv. 13/11
 Avg. WI/Calv 95/11

CEF 020328
 SPN Mat. 89
CEF 950055
 SPN Mat. 85
SAS 960037
 SPN Mat. 123
AG 920059
 SPN Mat. 95
NPT 910040
 SPN Mat. 96
SAS L 0033
 SPN Mat. 120
HOT C 0074
 SPN Mat. 97
CEF H 0214
 SPN Mat. 83

Lot	Seller	ID	POLLED	Gen	PARENTS		Test	Breeding Value Indexes										Calf ID	Breeder Own Remarks					
					SIRE	PV		Birth Dir	Wean Dir	Birth Mat	Wean Mat	Mat Wgt	Post Wean	ADG	FCR	SC	Hgt			Lgt	LHR	Birth Date (Weight)		
					DAM		DNA	Acc	Acc	Acc	Acc	Acc	Acc	Acc	Acc	Acc	Acc	WWR	Sire					
					GV	PV	Birth Date	Wgt kg	Wgt kg	Ind	kg	kg	kg	365dM	540d Ind	Ind	Ind	(mm)	(mm)	(mm)		GT / POLLED		
91	P.F. SCHEEPERS	CEF 100133		SP	CEF 070473		PW365	81	104		120	103	97	99	90	88	85	112	112	-	292	NAT:DAJ150086 ;(30.10.19-10.02.20)		
								3.08	15.0	-1.11	4.6	7.0	21.2	50	-21	-2.3	11	30	8.2	9.8				
					CEF 010098		05.09.10	45		79	83	63	62	59	22	65	66	64	43.5	7				



CEF - 100203 (LOT 93)



Lot 93 NAT:VV160038 (30.10.19-10.02.20)

CEF 100203
 SPN Mat. 101
 AFC 30
 ICP 388
 RI 110
 Age/Calv. 9/7
 Avg. WI/Calf 102/7

CEF 070487
 SPN Mat. 96

CEF 030447
 SPN Mat. 98

CEF 000103
 AFC 26
 ICP 445
 SPN Mat. 105
 Age/Calv. 13/10
 Avg. WI/Calf 104/8

CEF 990259
 SPN Mat. 85

CEF 040077
 AFC 28
 ICP 368
 RI 116
 SPN Mat. 102
 Age/Calv. 10/9
 Avg. WI/Calf 101/9

CEF 990287
 SPN Mat. 98
CEF 940048
 SPN Mat. 109
LAR 970024
 SPN Mat. 77
CEF N 0102
 SPN Mat. 95
NPT 910020
 SPN Mat. 87
CEF 930130
 SPN Mat. 87
NFS K 0088
 SPN Mat. 78
CEF N 0090
 SPN Mat. 90

Lot	Seller	ID	POLLED	Gen	PARENTS		Test	Breeding Value Indexes										R:	Calf ID	Breeder Own Remarks			
					SIRE	DAM		DIRECT CALF TRAITS		DAUGHTER TRAITS		GROWTH		EFF.	REP	MEASUREMENTS					Birth Date	Birth Date (Weight)	
					GV	PV	Genomic Tested	Progeny Birth Weight	Progeny Wean Weight	Ease of Calving	Milk prod.	Mature Weight	Post Wean Weight	Daily Gain	Feed Conv	SC	Hgt	Lgt	LHR	Birth Date	Birth Date (Weight)		
					GV	PV	DNA	Acc	Acc	Acc	Acc	Acc	Acc	Acc	Acc	Acc	Acc	Acc	BWR	Sire			
							Birth Date	Wgt kg	Wgt kg	Ind	kg	kg	kg	365dM	540d Ind	Ind	Ind	(mm)	(mm)	(mm)	WT	WT	
93	P.F. SCHEEPERS	CEF 100203		SP	CEF 070487		PW365	112	97	104	101	113	92	109	101	89	112	107	-	310		NAT:VV160038 ;(30.10.19-10.02.20)	
								-0.28	12.1	-0.39	4.2	24.0	16.3	137	-49	0.5	11	23	5.47	9.7			
					CEF 040077		16.10.10	85	82	79	84	67	71	62	30	66	66	65	36.8	7			



CEF - 100087 (LOT 94)



Lot 94 NAT:VV160038 (30.10.19-10.02.20)

CEF 100087
 SPN Mat. 106
 AFC 27
 ICP 362
 RI 117
 Age/Calv. 9/8
 Avg. Wl/Calv 102/7

CEF 070139
 AFC 35
 ICP
 RI 95

SPN Mat.
 AFC
 ICP

SPN Mat.
 SPN Mat. 78
 Age/Calv. 3/1
 Avg. Wl/Calv 94/1

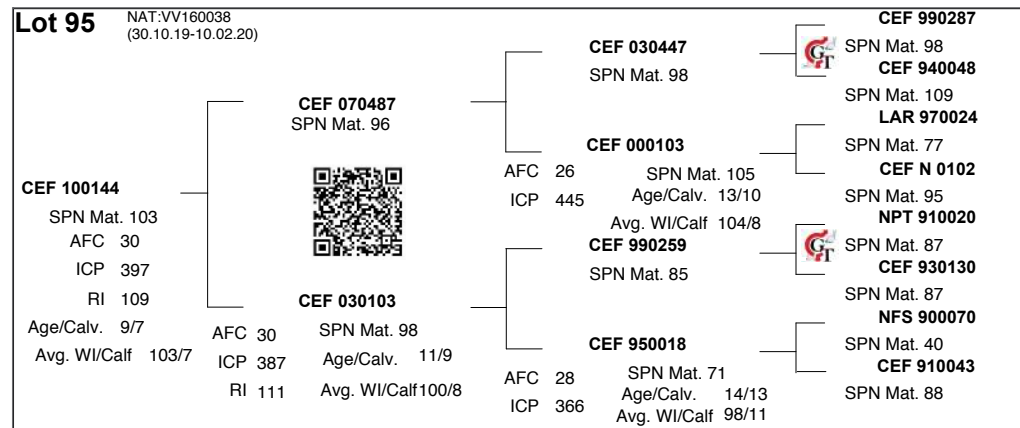
SPN Mat.
 SPN Mat. 85
 Age/Calv. 5/3
 Avg. Wl/Calv 98/2

SPN Mat.
 SPN Mat. 89
CEF 020328
CEF 000177
 SPN Mat. 87
CEF 020351
 SPN Mat. 108
CEF 020172
 SPN Mat. 85

Lot	Seller	ID	POLLED	Gen	PARENTS		Test	Breeding Value Indexes										Calf ID	Breeder Own Remarks		
					SIRE	DAM		DIRECT CALF TRAITS		DAUGHTER TRAITS		GROWTH		EFF.	REP	MEASURE-MENTS				R:	CALF AT FOOT
					GV	PV	Genomic Tested	Birth Dir	Wean Dir	Birth Mat	Wean Mat	Mat Wgt	Post Wean	ADG	FCR	SC	Hgt	Lgt	LHR	Birth Date (Weight)	
					GV	PV	DNA	Acc	Acc	Acc	Acc	Acc	Acc	Acc	Acc	Acc	Acc	Acc	BWR	Sire	
					GV	PV	Birth Date	Wgt kg	Wgt kg	Ind	kg	kg	kg	365dM	540d Ind	Ind	Ind	(mm)	(mm)	(mm)	
94	P.F. SCHEEPERS	CEF 100087					PW540	115	83	96	106	88	91	106	105	97	103	98	-	308	NAT:VV160038 ;(30.10.19-10.02.20)
								-0.55	5.3	-0.02	5.6	-4.0	15.5	124	-57	7.4	4	12	4.91	10.1	
		A				CEF 070139	11.06.10	82	75	78	82	59	50	51	18	58	60	57	46.8	8	



CEF - 100144 (LOT 95)



Lot	Seller	ID POLLED Gen	PARENTS		Test	Breeding Value Indexes										R:	MEASUREMENTS	Calf ID	Breeder Own Remarks
			SIRE GV PV	DAM GV PV		DIRECT CALF TRAITS		DAUGHTER TRAITS			GROWTH		EFF.	REP	MEASUREMENTS				
			Genomic Tested DNA	Birth Date	Progeny Birth Weight Acc	Progeny Wean Weight Acc	Ease of Calving Acc	Milk prod. Acc	Mature Weight Acc	Post Wean Weight Acc	Daily Gain Acc	Feed Conv Acc	SC Acc	Hgt Acc	Lgt Acc	LHR BWR WWR	Birth Date (Weight) Sire		
95	P.F. SCHEEPERS	CEF 100144 SP	CEF 070487	CEF 030103	PW365	80	105	92	103	113	98	87	93	82	88	91	-	276	NAT:VV160038 ;(30.10.19-10.02.20)
						3.15	15.6	0.16	4.6	25.0	20.1	36	-32	-5.2	-8	2	8.79	9.8	
				10.09.10		85	82	80	84	73	68	68	31	73	74	72	45.7	7	



CEF - 100036 (LOT 96)



Lot 96 NAT:VV160038 (30.10.19-10.02.20)

CE 100036
SPN Mat. 110
AFC 30
ICP 362
RI 115
Age/Calv. 9/8
Avg. WI/Calv 101/8

GCD 030148
SPN Mat. 115

CE 020206
AFC 32
ICP 368
RI 113
Age/Calv. 13/11
Avg. WI/Calv 98/11

EI 940339
SPN Mat. 117

GCD 940031
AFC 27
ICP 401
SPN Mat. 115
Age/Calv. 14/12
Avg. WI/Calv 103/12

CE 990221
SPN Mat. 77

CE 980089
AFC 33
ICP 445
SPN Mat. 88
Age/Calv. 5/3
Avg. WI/Calv 102/3

EI 920079
SPN Mat. 128
EI 920048
SPN Mat. 105
ESB N 0154
SPN Mat. 99
GCD C 0010
SPN Mat. 100
NFS 910339
SPN Mat. 43
CE J 0078
SPN Mat. 95
LES 920058
SPN Mat. 106
CE 950023
SPN Mat. 68

Lot	Seller	ID	PARENTS	Test	DIRECT CALF TRAITS					DAUGHTER TRAITS			GROWTH		EFF.	REP	MEASUREMENTS			R:	Calf ID	Breeder Own Remarks			
					Progeny Birth Weight	Progeny Wean Weight	Ease of Calving	Milk prod.	Mature Weight	Post Wean Weight	Daily Gain	Feed Conv	Height & Length	Birth Dir			Wean Dir	Birth Mat	Wean Mat				Mat Wgt	Post Wean	ADG
					Breeding Value Indexes																				
		POLLED		DAM		Genomic Tested		Acc		Acc		Acc		Acc		Acc		Acc		Acc		Acc		Sire	
		Gen		GV PV		DNA		Wgt kg		Wgt kg		kg		kg		kg		865dM Ind		540d Ind		Ind		GT / POLLED	
96	P.F. SCHEEPERS	CEF 100036	GCD 030148	PW540	88	95	105	110	90	97	88	97	92	84	86	-	315	NAT:VV160038 ;(30.10.19-10.02.20)							
					2.29	10.8	-0.44	6.7	-2.0	19.5	39	-40	2.9	-11	-5	5.74	10.3								
			CE 020206	25.03.10	86	83	82	86	74	76	69	29	74	74	72	29	8								




CEF - 100175 (LOT 98)



Lot 98 NAT:VV160038 (30.10.19-10.02.20)

CEF 100175
SPN Mat. 93
OEK 31
TKP 391
RI 109
Oud/Kalw. 9/7
Gem. SI/Kalf 103/7

CEF 080505
SPN Mat. 84



CEF 060204
SPN Mat. 96
OEK 34
TKP 416
RI 99
Oud/Kalw. 4/2
Gem. SI/Kalf 96/2

CEF 060473
SPN Mat. 101

CEF 030027
OEK 30
TKP 363
SPN Mat. 76
Oud/Kalw. 7/6
Gem. SI/Kalf 101/4

WAT 030060
SPN Mat. 105

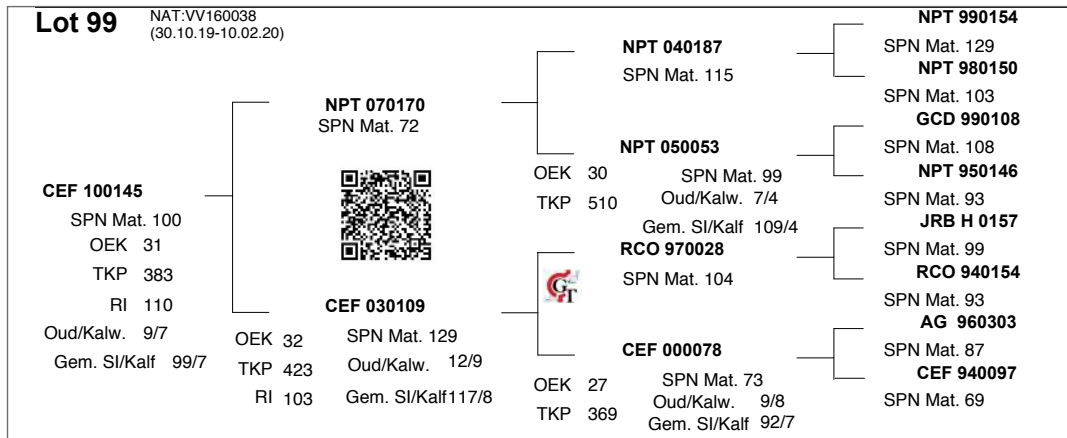
CEF 980112
OEK 32
TKP 381
SPN Mat. 105
Oud/Kalw. 13/11
Gem. SI/Kalf 101/10

WAT 030060
SPN Mat. 105
CEF 970051
SPN Mat. 71
AG 950284
SPN Mat. 58
CEF 000167
SPN Mat. 103
WAT 970101
SPN Mat. 107
WAT 970192
SPN Mat. 99
NPT 910020
SPN Mat. 87
NFS 940081
SPN Mat. 120

Lot	Seller	ID POLLED Gen	PARENTS		Test	Breeding Value Indexes										R:	MEASUREMENTS	Calf ID	Breeder Own Remarks
			SIRE GV PV	DAM GV PV		Progeny Birth Weight	Progeny Wean Weight	Ease of Calving	Milk prod.	Mature Weight	Post Wean Weight	Daily Gain	Feed Conv	EFF.	REP				
			Genomic Tested	DNA	Birth Date	Birth Dir Acc	Wean Dir Acc	Birth Mat Acc	Wean Mat Acc	Mat Wgt Acc	Post Wean Acc	ADG Acc	FCR Acc	SC Acc	Hgt Acc	Lgt Acc	LHR BWR WWR	Birth Date (Weight) Sire	
			Birth Date	Birth Date	Wgt kg	Wgt kg	Ind	kg	kg	kg	365dM	540d Ind	Ind	Ind	(mm)	(mm)	(mm)	GT / POLLED	
98	P.F. SCHEEPERS	CEF 100175	CEF 080505	NS365	24.09.10	80	110	115	93	92	110	106	99	95	99	103	-	290	NAT:VV160038 ;(30.10.19-10.02.20)
			CEF 060204	DNS	24.09.10	3.11 83	17.9 79	-0.87 77	2.0 82	1.0 62	28.5 63	124 55	-44 20	5.6 62	0 63	18 61	6.67	9.8	
		SP			39												36.1	7	



CEF - 100145 (LOT 99)



Lot	Seller	ID POLLED Gen	PARENTS		Test	Breeding Value Indexes										R:	MEASUREMENTS	EFF.	REP	Calf ID	Breeder Own Remarks
			SIRE GV PV	DAM GV PV		DIRECT CALF TRAITS		DAUGHTER TRAITS		GROWTH		Post Wean Weight	ADG	FCR	SC						
			Genomic Tested	DNA	Birth Dir	Wean Dir	Birth Mat	Wean Mat	Mat Wgt	Acc	Acc					Acc	Acc	Acc	Acc	Acc	
99	P.F. SCHEEPERS	CEF 100145 SP	NPT 070170	CEF 030109	NS365	115	99	103	100	122	106	103	92	95	103	107	-	326	NAT:VV160038 ;(30.10.19-10.02.20)		
						-0.52	12.7	-0.34	3.9	34.0	26.1	109	-29	5.3	4	24	4.66	9.8			
					11.09.10	85	82	80	84	69	68	66	37	71	72	70		7			
						30											44.4				



CEF - 100158 (LOT 100)



Lot 100 NAT:DAJ150086 (30.10.19-10.02.20)

CEP 100158
 SPN Mat. 100
 OEK 30
 TKP 388
 RI 110
 Oud/Kalw. 9/7
 Gem. Sl/Kalf 100/7

NPT 070170
 SPN Mat. 72

CEP 040124
 OEK 31
 TKP 397
 RI 108
 Oud/Kalw. 12/10
 Gem. Sl/Kalf 94/10

NPT 040187
 SPN Mat. 115

NPT 050053
 OEK 30
 TKP 510
 SPN Mat. 99
 Oud/Kalw. 7/4
 Gem. Sl/Kalf 109/4

CEP 020328
 SPN Mat. 89

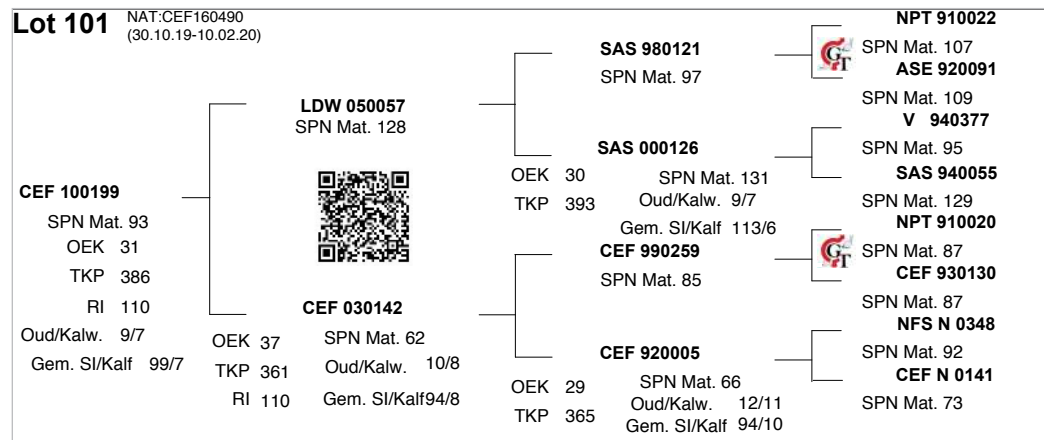
CEP 990130
 OEK 29
 TKP 400
 SPN Mat. 94
 Oud/Kalw. 10/8
 Gem. Sl/Kalf 103/8

NPT 990154
 SPN Mat. 129
NPT 980150
 SPN Mat. 103
GCD 990108
 SPN Mat. 108
NPT 950146
 SPN Mat. 93
CEP 000278
 SPN Mat. 64
CEP 990108
 SPN Mat. 99
NPT 910020
 SPN Mat. 87
CEP 930066
 SPN Mat. 90

Lot	Seller	ID	POLLED	Gen	PARENTS		Test	Breeding Value Indexes										Calf ID	Breeder Own Remarks			
					SIRE	DAM		DIRECT CALF TRAITS		DAUGHTER TRAITS		GROWTH		EFF.	REP	MEASURE-MENTS				R:	CALF AT FOOT	
					GV	PV	Genomic Tested	Birth Dir	Wean Dir	Birth Mat	Wean Mat	Mat Wgt	Post Wean	ADG	FCR	SC	Hgt	Lgt	LHR	Birth Date (Weight)		
					GV	PV	DNA	Acc	Acc	Acc	Acc	Acc	Acc	Acc	Acc	Acc	Acc	Acc	BWR	Sire		
					GV	PV	Birth Date	Wgt kg	Wgt kg	Ind	kg	kg	kg	365dM	540d Ind	Ind	Ind	(mm)	(mm)	(mm)	WWR	GT / POLLED
100	P.F. SCHEEPERS	CEF 100158			NPT 070170		NS365	91	108	62	100	126	122	112	95	111	99	105	-	320	NAT:DAJ150086 ;(30.10.19-10.02.20)	
							DNS	2.01	17.2	1.53	3.7	39.0	37.4	151	-37	18.1	1	22	5.85	9.8		
		SP			CEF 040124		20.09.10	85	83	81	85	66	72	67	37	72	73	71		37.5		7



CEF - 100199 (LOT 101)



Lot	Seller	ID POLLED Gen	PARENTS		Test Genomic Tested DNA Birth Date	DIRECT CALF TRAITS					DAUGHTER TRAITS			GROWTH		EFF.	REP	MEASURE-MENTS			R:	Calf ID	Breeder Own Remarks
			SIRE GV PV	DAM GV PV		Progeny Birth Weight	Progeny Wean Weight	Ease of Calving	Milk prod.	Mature Weight	Post Wean Weight	Daily Gain	Feed Conv	Height & Length				Calf AT FOOT					
			Birth Dir	Wean Dir		Birth Mat	Wean Mat	Mat Wgt	Post Wean	ADG	FCR	SC	Hgt	Lgt	LHR				Birth Date (Weight)				
101	P.F. SCHEEPERS	CEF 100199 SP	LDW 050057	CEP 030142	NS365	100	80	115	93	74	72	68	78	98	85	81	-	302	NAT:CEF160490 ;(30.10.19-10.02.20)				
						1.00	4.0	-0.85	2.0	-19.0	2.2	-54	0	8.4	-11	-13	6.68	9.7					
					08.10.10	37		80	84	68	68	63	30	67	67	66	40.1	7					



CEF - 100195 (LOT 102)



Lot 102 NAT:VV160038 (30.10.19-10.02.20)

CE 070468
SPN Mat. 93

CE 100195
SPN Mat. 92
OEK 28
TKP 410
RI 109
Oud/Kalw. 9/7
Gem. SI/Kalf 103/6

CE 040199
SPN Mat. 82
Oud/Kalw. 6/4
Gem. SI/Kalf 83/4
OEK 32
TKP 394
RI 107

CE 030447
SPN Mat. 98

CE 000042
SPN Mat. 108
Oud/Kalw. 12/10
Gem. SI/Kalf 107/9
OEK 29
TKP 371

CE 020321
SPN Mat. 118

CE 920114
SPN Mat. 97
Oud/Kalw. 12/10
Gem. SI/Kalf 101/10
OEK 32
TKP 386

CE 990287
SPN Mat. 98
CE 940048
SPN Mat. 109
CE 980244
SPN Mat. 86
CE 970137
SPN Mat. 90
TBB 980102
SPN Mat. 137
CE 950095
SPN Mat. 108
HOT H 0108
SPN Mat. 97
CE L 0127
SPN Mat. 88

Lot	Seller	ID POLLED Gen	PARENTS		Test	Breeding Value Indexes										R:	Calf ID	Breeder Own Remarks
			SIRE GV PV	DAM GV PV		DIRECT CALF TRAITS		DAUGHTER TRAITS			GROWTH		EFF.	REP	MEASUREMENTS			
Genomic Tested		Birth Dir	Wean Dir	Birth Mat	Wean Mat	Mat Wgt	Post Wean	ADG	FCR	SC	Hgt	Lgt	LHR	Birth Date (Weight)				
DNA		Acc	Acc	Acc	Acc	Acc	Acc	Acc	Acc	Acc	Acc	Acc	BWR		Sire			
Birth Date		Wgt kg	Wgt kg	Ind	kg	kg	kg	865dM	540d Ind	Ind	Ind	(mm)	(mm)	(mm)	WWR	GT / POLLED		
102	P.F. SCHEEPERS	CEF 100195	CEF 070468	NS365	105	90	103	92	86	93	83	88	86	95	90	-	279	
					0.45	8.9	-0.33	1.6	-6.0	16.7	19	-21	-1.5	-3	0	7.84	NAT:VV160038 ;(30.10.19-10.02.20)	
		CEF 040199	11.09.10	40												41.4		7



VV - 100117 (LOT 103)



Lot 103 NAT:VV160038 (30.10.19-10.02.20)

VV 100117 Elite-Gold
 SPN Mat. 102
 AFC 29
 ICP 362
 RI 115
 Age/Calv. 9/8
 Avg. WI/Calf 102/8

VV 070122 Gold
 SPN Mat. 126

VV 050455
 AFC 30
 ICP 365
 RI 115
 SPN Mat. 86
 Age/Calv. 11/10
 Avg. WI/Calf 95/9

VV 040323 Silver Elite-Gold
 SPN Mat. 134
 AFC 25
 ICP 438
 SPN Mat. 126
 Age/Calv. 18/14
 Avg. WI/Calf 106/12

VV 010182
 SPN Mat. 106
 Gold

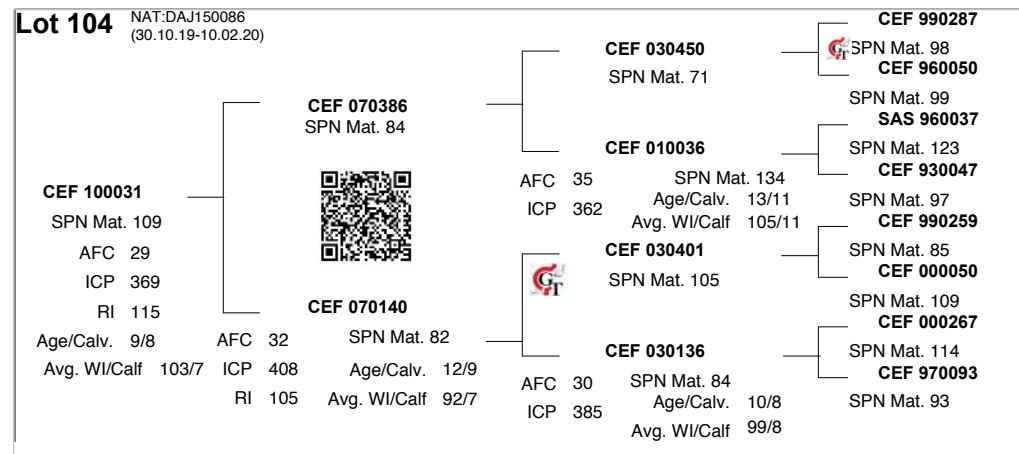
VV 010233
 SPN Mat. 87
 Age/Calv. 10/9
 Avg. WI/Calf 98/8

VV 010112 SPN Mat. 126
VV 000188 SPN Mat. 110
NPT 910040 SPN Mat. 96
VV 970023 SPN Mat. 133
VV 960318 SPN Mat. 77
VV 910177 SPN Mat. 133
VV 960318 SPN Mat. 77
VV K 0126 SPN Mat. 103

Lot	Seller	ID	PARENTS	Test	Breeding Value Indexes										R:	Calf ID	Breeder Own Remarks	
					DIRECT CALF TRAITS		DAUGHTER TRAITS			GROWTH		EFF.	REP	MEASUREMENTS				CALF AT FOOT
			SIRE GV PV	Genomic Tested	Progeny Birth Weight	Progeny Wean Weight	Ease of Calving	Milk prod.	Mature Weight	Post Wean Weight	Daily Gain	Feed Conv		Height & Length				
		POLLED	DAM GV PV	DNA	Birth Dir	Wean Dir	Birth Mat	Wean Mat	Mat Wgt	Post Wean	ADG	FCR	SC	Hgt	Lgt	LHR	Birth Date (Weight)	
		Gen		Birth Date	Acc	Acc	Acc	Acc	Acc	Acc	Acc	Acc	Acc	Acc	Acc	BWR	Sire	
					Wgt kg	Wgt kg	Ind	kg	kg	kg	365dM	540d Ind	Ind	Ind	(mm)	(mm)	(mm)	GT / POLLED
103	P.F. SCHEEPERS	VV 100117	VV 070122	PW540	100	99	116	102	84	97	100	98	93	99	102	-	275	
				DNA	1.03	12.9	-0.93	4.3	-8.0	19.7	95	-42	4.3	0	17	6.9	10.1	
		SP	VV 050455	17.05.10	86	82	81	84	73	74	56	45	58	58	58		8	
					32											45.1		
																		NAT:VV160038 ;(30.10.19-10.02.20)



CEF - 100031 (LOT 104)



Lot	Seller	ID POLLED Gen	PARENTS		Test	Breeding Value Indexes										Calf ID	Breeder Own Remarks		
			SIRE GV PV	DAM GV PV		DIRECT CALF TRAITS		DAUGHTER TRAITS		GROWTH		EFF.	REP	MEASURE- MENTS				R:	CALF AT FOOT
			Genomic Tested	DNA		Birth Dir	Wean Dir	Birth Mat	Wean Mat	Mat Wgt	Post Wean	ADG	FCR	SC	Hgt			Lgt	LHR
		Birth Date	Wgt kg	Wgt kg	Ind	kg	kg	kg	865dM	540d Ind	Ind	Ind	(mm)	(mm)	(mm)		GT / POLLED		
104	P.F. SCHEEPERS	CEF 100031	CEF 070386	PW540	112	98	47	109	92	99	95	90	116	107	107	-	289	NAT:DAJ150086 ;(30.10.19-10.02.20)	
				DNA	-0.28	12.5	2.24	6.5	1.0	21.0	74	-26	22.6	7	24	6.72	10.3		
		SP	CEF 070140	26.03.10	27												51.1		8



VV - 100096 (LOT 106)



Lot 106 NAT:DAJ150086 (30.10.19-10.02.20)

VV 100096
 SPN Mat. 108
 AFC 30
 ICP 362
 RI 115
 Age/Calv. 9/8
 Avg. WI/Calv 96/8

VV 070351
 SPN Mat. 112

VV 070347
 Elite-Bronze
 AFC 30
 ICP 412
 RI 107
 Age/Calv. 7/5
 Avg. WI/Calv 103/5

VV 040251
 SPN Mat. 111
 Elite-Gold
VV 010296
 AFC 30
 ICP 379
 SPN Mat. 110
 Age/Calv. 14/12
 Avg. WI/Calv 100/12

VV 040046
 SPN Mat. 114

VV 020237
 AFC 32
 ICP 398
 SPN Mat. 126
 Age/Calv. 9/7
 Avg. WI/Calv 109/7

VV 020021
 SPN Mat. 95
VV 020068
 SPN Mat. 84
VV 990318
 SPN Mat. 106
VV 980250
 SPN Mat. 110
VV 010292
 SPN Mat. 129
VV 00092
 SPN Mat. 100
VV 000303
 SPN Mat. 115
VV 000409
 SPN Mat. 109

Lot	Seller	ID POLLED Gen	PARENTS		Test	Breeding Value Indexes															Calf ID	Breeder Own Remarks
			SIRE GV PV	DAM GV PV		DIRECT CALF TRAITS		DAUGHTER TRAITS			GROWTH		EFF.	REP	MEASURE-MENTS		R:	CALF AT FOOT				
						Progeny Birth Weight	Progeny Wean Weight	Ease of Calving	Milk prod.	Mature Weight	Post Wean Weight	Daily Gain			Feed Conv	Height & Length						
106	P.F. SCHEEPERS	VV 100096 SP	VV 070351	VV 070347	PW540 DNA 11.05.10	107 0.26 85 32	99 12.9 81	106 -0.46 79	108 6.0 83	74 -20.0 70	99 21.3 70	95 75 57	97 -40 34	96 6.3 62	87 -9 64	100 14 61	- 8 49.7	272 10.1 8	NAT:DAJ150086 ;(30.10.19-10.02.20)			



CEF - 100083 (LOT 107)



Lot 107 NAT:VV160038 (30.10.19-10.02.20)
NAT:CEF170523 (20.05.20-10.08.20)

Elite-Silver
CEF 100083

SPN Mat. 108
AFC 28
ICP 367
RI 116
Age/Calv. 9/8
Avg. WI/Calf 104/8

SPN Mat.
AFC 30
ICP 362
RI 115

CEF 060222

SPN Mat. 100
Age/Calv. 8/7
Avg. WI/Calf 107/7

SPN Mat.
AFC 28
ICP 390

SPN Mat.
Age/Calv. /
Avg. WI/Calf /
CEF 030447
SPN Mat. 98

CEF 030020

SPN Mat. 77
Age/Calv. 7/5
Avg. WI/Calf 93/5

SPN Mat.
SPN Mat.
SPN Mat.
SPN Mat.
SPN Mat. 109
RCO 980037
SPN Mat. 69
CEF 000687
SPN Mat. 100

Lot	Seller	ID POLLED Gen	PARENTS		Test	Breeding Value Indexes										R:	MEASUREMENTS	Calf ID	Breeder Own Remarks
			SIRE GV PV	DAM GV PV		DIRECT CALF TRAITS		DAUGHTER TRAITS			GROWTH		EFF.	REP	MEASUREMENTS				
				Genomic Tested	Progeny Birth Weight	Progeny Wean Weight	Ease of Calving	Milk prod.	Mature Weight	Post Wean Weight	Daily Gain	Feed Conv	Height & Length				Calf ID		
				DNA	Acc	Acc	Acc	Acc	Acc	Acc	Acc	Acc	Acc	Acc	Acc	Acc	Acc	Birth Date (Weight)	
				Birth Date	Wgt kg	Wgt kg	Ind	kg	kg	kg	865dM Ind	540d Ind	Ind	Ind	(mm)	(mm)	(mm)	GT / POLLED	
107	P.F. SCHEEPERS	CEF 100083		PW540	101	110	104	108	127	109	105	99	118	108	111	-	274	NAT:VV160038 ;(30.10.19-10.02.20) ;NAT:CEF170523 ;(20.05.20-10.08.20)	
			CEF 060222	DNA	0.87	17.7	-0.38	6.1	40.0	28.0	120	-45	24.3	8	29	5.14	10.1		
		A		29.05.10	83	79	78	84	68	66	57	23	65	66	63	54.9	8		



CEF - 100170 (LOT 108)



Lot 108 NAT:VV160038 (30.10.19-10.02.20)

Elite-Bronze
CEF 100170
 SPN Mat. 91
 AFC 30
 ICP 396
 RI 109
 Age/Calv. 9/7
 Avg. WI/Calf 98/7

CEF 080338
 SPN Mat. 90

Elite-Gold
CEF 020109
 SPN Mat. 114
 AFC 31
 ICP 373

CEF 070013
 SPN Mat. 93
 AFC 28
 ICP 379
 RI 113
 Age/Calv. 12/10
 Avg. WI/Calf 100/10

VV 040046
 SPN Mat. 114
 Elite-Gold
CEF 020109
 SPN Mat. 104
 Age/Calv. 16/14
 Avg. WI/Calf 103/15

CEF 050355
 SPN Mat. 79

CEF 020130
 SPN Mat. 92
 AFC 31
 ICP 367
 Age/Calv. 6/4
 Avg. WI/Calf 93/2

VV 010292
 SPN Mat. 129
VV 000092
 SPN Mat. 100
V 970132
 SPN Mat. 110
CEF 000024
 SPN Mat. 101
CEF 030309
 SPN Mat. 66
CEF 020044
 SPN Mat. 71
RCO 930139
 SPN Mat. 129
CEF 950018
 SPN Mat. 71

Lot	Seller	ID	POLLED	Gen	PARENTS		Test	Breeding Value Indexes										Calf ID	Breeder Own Remarks			
					SIRE	DAM		DIRECT CALF TRAITS		DAUGHTER TRAITS			GROWTH		EFF.	REP	MEASUREMENTS			R:		
					GV	PV	Genomic Tested	Progeny Birth Weight	Progeny Wean Weight	Ease of Calving	Milk prod.	Mature Weight	Post Wean Weight	Daily Gain	Feed Conv		Height & Length		CALF AT FOOT			
					GV	PV	DNA	Acc	Acc	Acc	Acc	Acc	Acc	Acc	Acc	Acc	Acc	Acc	Acc	Birth Date (Weight)		
					GV	PV	Birth Date	Wgt kg	Wgt kg	Ind	kg	kg	kg	865dM	540d Ind	Ind	Ind	(mm)	(mm)	(mm)	LHR	Sire
																					BWR	
																					WWR	
																						GT / POLLED
108	P.F. SCHEEPERS	CEF 100170			CEF 080338		PW365	114	98	103	91	103	105	118	107	98	103	109	-	283		NAT:VV160038 (30.10.19-10.02.20)
							DNA	-0.44	12.2	-0.33	1.5	13.0	25.3	183	-60	8.2	4	27	7.46	9.8		
		SP			CEF 070013		25.09.10	86	83	80	84	65	70	66	43	71	72	70	40.3	7		



VV - 100043 (LOT 109)



Lot 109 NAT: LAR160004 (30.10.19-10.02.20)

VV 100043
 SPN Mat. 77
 OEK 32
 TKP 357
 RI 115
 Oud/Kalw. 9/8
 Gem. SI/Kalf 95/7

VV 060294
 SPN Mat. 81
 Goud

VV 060484
 SPN Mat. 78
 Oud/Kalw. 10/9
 Gem. SI/Kalf 88/8

VV 040014
 SPN Mat. 101

VV 990390
 OEK 24 SPN Mat. 109
 TKP 384 Oud/Kalw. 12/11
 Gem. SI/Kalf 106/11

VV 030370
 SPN Mat. 83

VV 990067
 OEK 29 SPN Mat. 98
 TKP 367 Oud/Kalw. 12/11
 Gem. SI/Kalf 101/11

VV 010112
 SPN Mat. 126

VV 990026
 SPN Mat. 80

VV 970068
 SPN Mat. 93

VV 910324
 SPN Mat. 114

VV 000318
 SPN Mat. 87

VV 980147
 SPN Mat. 82

VV 960318
 SPN Mat. 77

VV 930146
 SPN Mat. 98

Lot	Seller	ID POLLED Gen	PARENTS		Test	Breeding Value Indexes										R:	MEASUREMENTS	Calf ID	Breeder Own Remarks
			SIRE GV PV	DAM GV PV		DIRECT CALF TRAITS		DAUGHTER TRAITS		GROWTH		EFF.	REP	MEASUREMENTS					
				Genomic Tested	Birth Dir	Wean Dir		Birth Mat	Wean Mat	Mat Wgt	Post Wean	ADG	FCR	SC	Hgt	Lgt	LHR	Birth Date (Weight)	
				DNA	Acc	Acc		Acc	Acc	Acc	Acc	Acc	Acc	Acc	Acc	Acc	BWR	Sire	
				Birth Date	Wgt kg	Wgt kg	Ind	kg	kg	kg	365dM	540d Ind	Ind	Ind	(mm)	(mm)	(mm)	WWR	GT / POLLED
109	P.F. SCHEEPERS	VV 100043 SP	VV 060294	NS540	87	111		106	77	112	115	108	106	106	108	106	-	255	NAT: LAR160004 ;(30.10.19-10.02.20)
				DNS	2.39	18.2	-0.44	-2.5	24.0	32.4	133	-59	14.4	8	23	8.81	10.2		
			VV 060484	01.05.10	40													51.7	



CEF - 140042 (LOT 110)



Lot 110 NAT:CEF160490 (30.10.19-10.02.20)

AG 100194
SPN Mat. 69

AG 090041
Oud/Kalw. 5/4 OEK 29 SPN Mat. 62
Gem. SI/Kalf 93/4 TKP 422 Oud/Kalw. 10/8
RI 105 Gem. SI/Kalf 92/8

AG 070326
Oud/Kalw. 11/9
Gem. SI/Kalf 98/9

AG 970223
SPN Mat. 93

AG 020076
SPN Mat. 117

AG 020251
SPN Mat. 121

AG 980015
SPN Mat. 84

AG 030447
SPN Mat. 98

AG 020049
Oud/Kalw. 8/6
Gem. SI/Kalf 89/6

WBB 070012
SPN Mat. 93

CE 140042
SPN Mat. 55
OEK 29
TKP 377
RI 113

CE 990287
SPN Mat. 98

CE 940048
SPN Mat. 109

CE 980127
SPN Mat. 81

CE 970083
SPN Mat. 75

OEK 23 SPN Mat. 91
TKP 417 Oud/Kalw. 11/9
Gem. SI/Kalf 98/9

OEK 36 SPN Mat. 54
TKP 365 Oud/Kalw. 8/6
Gem. SI/Kalf 89/6

Lorem ipsum

Lot	Seller	ID POLLED Gen	PARENTS		Test	Breeding Value Indexes										R:	Calf ID	Breeder Own Remarks	
			SIRE GV PV	DAM GV PV		DIRECT CALF TRAITS		DAUGHTER TRAITS		GROWTH		EFF.	REP	MEASURE-MENTS					Calf AT FOOT
				Genomic Tested	Birth Dir	Wean Dir	Birth Mat	Wean Mat	Mat Wgt	Post Wean	ADG	FCR	SC	Hgt	Lgt	LHR	Birth Date (Weight)		
				DNA	Acc	Acc	Acc	Acc	Acc	Acc	Acc	Acc	Acc	Acc	Acc	BWR		Sire	
				Birth Date	Wgt kg	Wgt kg	Ind	kg	kg	kg	365dM Ind	540d Ind	Ind	Ind	(mm)	(mm)	(mm)	WWR	GT / POLLED
110	P.F. SCHEEPERS	CEF 140042	AG 100194	NS365	111	101	100	55	78	100	96	103	105	81	82	-	277	NAT:CEF160490 ;(30.10.19-10.02.20)	
			CEF 090041		-0.16	13.7	-0.17	-8.8	-15.0	21.5	79	-52	13.8	-14	-11	6.93	6.2		
		SP	03.04.14	35													42.1		4



CEF - 120165 (LOT 111)



Lot 111 NAT: LAR160004 (30.10.19-10.02.20)

CEP 120165
 SPN Mat. 93
 OEK 30
 TKP 416
 RI 106
 Oud/Kalw. 7/5
 Gem. SI/Kalf 91/5

BP 090012
 SPN Mat. 107

CEP 030103
 OEK 30
 TKP 387
 RI 111
 SPN Mat. 98
 Oud/Kalw. 11/9
 Gem. SI/Kalf 100/8

BP 060021
 SPN Mat. 91

BP 060012
 OEK 35
 TKP 427
 SPN Mat. 129
 Oud/Kalw. 9/6
 Gem. SI/Kalf 108/6

CEP 990259
 SPN Mat. 85

CEP 950018
 OEK 28
 TKP 366
 SPN Mat. 71
 Oud/Kalw. 14/13
 Gem. SI/Kalf 98/11

LAR 990404
 SPN Mat. 58
BP 940034
 SPN Mat. 123
BP 030020
 SPN Mat. 145
BP 030054
 SPN Mat. 89
NPT 910020
 SPN Mat. 87
CEP 930130
 SPN Mat. 87
NFS 900070
 SPN Mat. 40
CEP 910043
 SPN Mat. 88

Lot	Seller	ID POLLED Gen	PARENTS		Test	Breeding Value Indexes										R:	MEASUREMENTS	EFF.	REP	Calf ID	Breeder Own Remarks
			SIRE GV PV	DAM GV PV		DIRECT CALF TRAITS		DAUGHTER TRAITS		GROWTH		Post Wean Weight	ADG	FCR	SC						
Genomic Tested	DNA	Birth Dir	Wean Dir	Birth Mat	Wean Mat	Mat Wgt	Post Wean	ADG	FCR	SC	Hgt					Lgt	LHR	BWR	WWR	Birth Date (Weight)	
				Birth Date	Wgt kg	Wgt kg	Ind	kg	kg	kg	365dM Ind	540d Ind	Ind	Ind	(mm)	(mm)	(mm)			GT / POLLED	
111	P.F. SCHEEPERS	CEF 120165	BP 090012	NS540	104	85	94	93	87	92	95	94	91	87	93	-	270	NAT: LAR160004 ;(30.10.19-10.02.20)			
			CEP 030103	DNS	0.58	6.6	0.09	1.8	-5.0	16.2	71	-34	2.8	-9	4	7.17	7.8				
		SP	02.09.12	38													40.6		5		



CEF - 130082 (LOT 112)



Lot 112 NAT:DAJ150086 (30.10.19-10.02.20)

WAT 080080 SPN Mat. 67

WAT 020167 SPN Mat. 54

WAT 000200 SPN Mat. 113

WAT 960277 SPN Mat. 101

LEL 960073 SPN Mat. 106

WAT 960321 SPN Mat. 96

LAR 010297 SPN Mat. 79

LAR 970059 SPN Mat. 71

NPT 910020 SPN Mat. 114

CEF 940097 SPN Mat. 87

CEF 990033 SPN Mat. 98

CEF 090121 Elite-Goud

CEF 130082 SPN Mat. 94

OEK 27 TKP 366 RI 116

Oud/Kalw. 6/5 Gem. SI/Kalf 98/4

OEK 31 TKP 368 RI 113

SPN Mat. 130 Oud/Kalw. 11/9 Gem. SI/Kalf 111/7

OEK 35 TKP 408

SPN Mat. 113 Oud/Kalw. 14/11 Gem. SI/Kalf 93/9

SPN Mat. 106 Oud/Kalw. 14/11 Gem. SI/Kalf 93/9

SPN Mat. 96 Oud/Kalw. 14/11 Gem. SI/Kalf 93/9

SPN Mat. 79 Oud/Kalw. 14/11 Gem. SI/Kalf 93/9

SPN Mat. 71 Oud/Kalw. 14/11 Gem. SI/Kalf 93/9

SPN Mat. 114 Oud/Kalw. 14/11 Gem. SI/Kalf 93/9

SPN Mat. 87 Oud/Kalw. 14/11 Gem. SI/Kalf 93/9

SPN Mat. 98 Oud/Kalw. 14/13 Gem. SI/Kalf 103/12

Lot	Seller	ID	PARENTS	Test	Breeding Value Indexes										R:	MEASURE-MENTS	Calf ID	Breeder Own Remarks
					DIRECT CALF TRAITS		DAUGHTER TRAITS		GROWTH		EFF.	REP	R:					
			SIRE	Genomic	Progeny Birth	Progeny Wean	Ease of	Milk prod.	Mature	Post Wean	Daily	Feed		Height & Length				
			GV	Tested	Weight	Weight	Calving		Weight	Weight	Gain	Conv						
			PV	DNA	Weight	Weight												
			DAM	Birth Date	Acc	Acc	Acc	Acc	Acc	Acc	Acc	Acc	Acc	Acc	Acc	Acc		
			GV		Wgt kg	Wgt kg	kg	kg	kg	365dM	540d	Ind	Ind	(mm)	(mm)	(mm)		
			PV		Ind	Ind	Ind	Ind	Ind	Ind	Ind	Ind	Ind	Ind	Ind	Ind		
112	P.F. SCHEEPERS	CEF 130082	WAT 080080	NS540	98	108	86	94	106	111	116	106	107	106	110	-	316	
					1.25	16.9	0.45	2.1	17.0	29.4	169	-58	15.2	7	28	5.6	7.1	
					83	79	77	80	67	72	65	30	70	71	69			
		SP	CEF 090121	10.05.13	32											46.9	5	



CEF - 130023 (LOT 113)



Lot 113 NAT:CEF160490 (30.10.19-10.02.20)

CE 130023
 SPN Mat. 101
 OEK 30
 TKP 364
 RI 114
 Oud/Kalw. 6/5
 Gem. SI/Kalf 104/5

CE 080426
 SPN Mat. 62

CE 040460
 SPN Mat. 101

CE 000050
 OEK 27
 TKP 371
 SPN Mat. 109
 Oud/Kalw. 13/12
 Gem. SI/Kalf 102/12

LDW 050057
 SPN Mat. 128

CE 090147
 OEK 31
 TKP 357
 RI 111
 SPN Mat. 126
 Oud/Kalw. 5/3
 Gem. SI/Kalf 103/2

CE 020328
 SPN Mat. 89
CE 930057
 SPN Mat. 121
CE 960290
 SPN Mat. 115
CE 960003
 SPN Mat. 99
SAS 980121
 SPN Mat. 97
SAS 000126
 SPN Mat. 131
CE 000267
 SPN Mat. 114
CE 000087
 SPN Mat. 101

CE 020089
 Elite-Goud
 SPN Mat. 115
 Oud/Kalw. 10/9
 Gem. SI/Kalf 102/8

OEK 23
 TKP 373

Lot	Seller	ID	POLLED	Gen	PARENTS		Test	Breeding Value Indexes										Calf ID	Breeder Own Remarks
					SIRE	DAM		DIRECT CALF TRAITS		DAUGHTER TRAITS			GROWTH		EFF.	REP	MEASUREMENTS		
GV	PV	Genomic Tested	Birth Dir	Wean Dir	Birth Mat	Wean Mat	Mat Wgt	Post Wean	ADG	FCR	SC	Hgt	Lgt	LHR	Birth Date (Weight)				
DNA	DNA	Acc	Acc	Acc	Acc	Acc	Acc	Acc	Acc	Acc	Acc	Acc	Acc	Acc		WWR	Sire		
GV	PV	Birth Date	Wgt kg	Wgt kg	Ind	kg	kg	kg	865dM	540d Ind	Ind	Ind	(mm)	(mm)	(mm)	GT / POLLED			
113	P.F. SCHEEPERS	CEF 130023	SP	NS540	112	90	98	101	103	91	85	82	99	94	94	-	294		
					-0.30	8.8	-0.11	4.1	13.0	15.4	24	-8	9.0	-4	6	6.11	7.3		
					82	78	75	80	72	70	62	36	66	67	65				
				18.03.13	33											41.1	5		
NAT:CEF160490 (30.10.19-10.02.20)																			




CEF - 160086 (LOT 114)



Lot 114 NAT:VV160038 (30.10.19-10.02.20)
NAT:CEF170523 (20.05.20-10.08.20)

CEF 160086
SPN Mat. 96
OEK 27
TKP 415
RI 115
Oud/Kalw. 3/2
Gem. SI/Kalf 92/1

CEF 130437
SPN Mat. 128



CEF 120185
OEK 30
TKP 361
RI 114
Oud/Kalw. 7/6
Gem. SI/Kalf 98/5

CEF 110446
SPN Mat. 108

CEF 110061
OEK 29
TKP
SPN Mat. 127
Oud/Kalw. 2/1
Gem. SI/Kalf 110/1

LAR 080066
SPN Mat. 89

CEF 070027
OEK 30
TKP 386
SPN Mat. 92
Oud/Kalw. 13/11
Gem. SI/Kalf 96/9

WAT 080080
SPN Mat. 67
CEF 020119
SPN Mat. 147
CEF 080025
SPN Mat. 120
CEF 080181
SPN Mat. 95
GCD 050148
SPN Mat. 110
LAR 050220
SPN Mat. 75
CEF 040458
SPN Mat. 93
CEF 040157
SPN Mat. 113

Lot	Seller	ID	POLLED	Gen	PARENTS		Test	Breeding Value Indexes										Calf ID	Breeder Own Remarks			
					SIRE	DAM		DIRECT CALF TRAITS		DAUGHTER TRAITS			GROWTH		EFF.	REP	MEASUREMENTS			R:	CALF AT FOOT	
					GV	PV	Genomic Tested	Birth Dir	Wean Dir	Birth Mat	Wean Mat	Mat Wgt	Post Wean	ADG	FCR	SC	Hgt	Lgt	LHR	Birth Date (Weight)		
					GV	PV	DNA	Acc	Acc	Acc	Acc	Acc	Acc	Acc	Acc	Acc	Acc	Acc	BWR	Sire		
					GV	PV	Birth Date	Wgt kg	Wgt kg	Ind	kg	kg	kg	365dM	540d Ind	Ind	Ind	(mm)	(mm)	(mm)		WWR
114	P.F. SCHEEPERS	CEF 160086		SP	CEF 130437		NS365	105	109	92	96	104	112	116	107	101	88	102	-	303	NAT:VV160038 ;(30.10.19-10.02.20) ;NAT:CEF170523 ;(20.05.20-10.08.20)	
								0.53	17.4	0.18	2.7	15.0	30.4	172	-61	10.4	-8	16	6.79	4.2		
					CEF 120185		23.04.16	80	75	65	65	55	63	53	28	55	55	54	42.1	2		




CEF - 120045 (LOT 115)

Lot 115 NAT:DAJ150086 (30.10.19-10.02.20)

Elite-Bronze
CEF 120045
 SPN Mat. 97
 AFC 28
 ICP 367
 RI 115
 Age/Calv. 7/6
 Avg. WI/Calf 101/6

CEF 080391
 SPN Mat. 102



CEF 060123
 AFC 31 SPN Mat. 86
 ICP 406 Age/Calv. 8/6
 RI 106 Avg. WI/Calf 100/5

VV 040046
 SPN Mat. 114

CEF 020183
 AFC 31 SPN Mat. 78
 ICP 380 Age/Calv. 6/4
 Avg. WI/Calf 93/4

CEF 030450
 SPN Mat. 71

CEF 960129
 AFC 31 SPN Mat. 97
 ICP 384 Age/Calv. 13/11
 Avg. WI/Calf 104/11

VV 010292
 SPN Mat. 129
VV 000092
 SPN Mat. 100
CEF 990221
 SPN Mat. 77
CEF 980119
 SPN Mat. 98
CEF 990287
 SPN Mat. 98
CEF 960050
 SPN Mat. 99
NFS K 0088
 SPN Mat. 78
CEF N 0090
 SPN Mat. 90

Lot	Seller	ID POLLED Gen	PARENTS		Test	Breeding Value Indexes											R:	Calf ID	Breeder Own Remarks
			SIRE GV PV	DAM GV PV		DIRECT CALF TRAITS		DAUGHTER TRAITS			GROWTH		EFF.	REP	MEASURE- MENTS				
						Birth Dir	Wean Dir	Birth Mat	Wean Mat	Mat Wgt	Post Wean	ADG	FCR	SC	Hgt	Lgt	LHR	Birth Date (Weight) Sire	
						Acc	Acc	Acc	Acc	Acc	Acc	Acc	Acc	Acc	Acc	Acc	Acc	Acc	
					Birth Date	Wgt kg	Wgt kg Ind	kg	kg	kg	365dM Ind	540d Ind	Ind	Ind	(mm)	(mm)	(mm)	GT / POLLED	
115	P.F. SCHEEPERS	CEF 120045 SP	CEF 080391	PW365	28.03.12	90	106	122	97	106	114	97	90	84	104	105	-	326	
						2.06	16.1	-1.21	2.9	17.0	31.4	83	-26	-2.9	5	21	6.02	8.3	
			CEF 060123			84	80	78	82	72	66	62	31	67	67	65			
						35											33.6	6	

NAT:DAJ150086 ;(30.10.19-10.02.20)



VV - 140437 (LOT 116)



Lot 116 NAT:CEF150315 (08.11.19-10.02.20)
NAT:CEF170523 (20.05.20-10.08.20)

VV 140437 P
SPN Mat. 108
AFC 23
ICP 387
RI 120
Age/Calv. 5/4
Avg. Wl/Calv 94/4

VV 110401
SPN Mat. 112

VV 090427
AFC 32
ICP 426
RI 103
Age/Calv. 5/3
Avg. Wl/Calv 102/3

AG 080204
SPN Mat. 124

VV 040047
AFC 29
ICP 389
SPN Mat. 130
Age/Calv. 13/11
Avg. Wl/Calv 102/10

VV 060403 P
SPN Mat. 120
Gold

VV 050324
AFC 24
ICP 364
SPN Mat. 100
Age/Calv. 11/10
Avg. Wl/Calv 100/10

AG 020251
SPN Mat. 121
AG 010239
SPN Mat. 91
VV 010292
SPN Mat. 129
VV 960367
SPN Mat. 122
VV 030346
SPN Mat. 115
VV 010326 P
SPN Mat. 114
VV 030012
SPN Mat. 93
VV 970206
SPN Mat. 89

Lot	Seller	ID POLLED Gen	PARENTS		Test Genomic Tested DNA Birth Date	DIRECT CALF TRAITS					DAUGHTER TRAITS			GROWTH		EFF.	REP	MEASUREMENTS			R:	Calf ID	Breeder Own Remarks
			SIRE GV PV	DAM GV PV		Progeny Birth Weight	Progeny Wean Weight	Ease of Calving	Milk prod.	Mature Weight	Post Wean Weight	Daily Gain	Feed Conv	Height & Length				Calf AT FOOT					
			Birth Dir	Wean Dir		Birth Mat	Wean Mat	Mat Wgt	Post Wean	ADG	FCR	SC	Hgt	Lgt	LHR				Birth Date (Weight)				
116	P.F. SCHEEPERS	VV 140437 P SP	VV 110401	VV 090427	PW540 DNA 31.10.14	108 0.14 81 32	93 10.3 77	112 -0.75 71	108 6.1 74	81 -12.0 70	95 18.4 68	98 86 51	110 -66 31	101 10.3 54	93 -4 55	100 14 54	- 6.72 52.1	220 5.7 4	NAT:CEF150315 ;(08.11.19-10.02.20) ;NAT:CEF170523 ;(20.05.20-10.08.20)				




CEF - 150064 (LOT 118)



Lot 118 NAT:DAJ150086 (30.10.19-10.02.20)

CEF 150064
 SPN Mat. 82
 AFC 29
 ICP 391
 RI 111
 Age/Calv. 5/3
 Avg. WI/Calv 92/3

ADV 100068
 SPN Mat. 45



CE 060009
 AFC 28
 ICP 408
 RI 109
 SPN Mat. 116
 Age/Calv. 9/7
 Avg. WI/Calv105/7

SYF 070036
 SPN Mat. 74

ADV 070142
 AFC 30
 ICP 387
 SPN Mat. 51
 Age/Calv. 5/3
 Avg. WI/Calv 98/3

CE 030401
 SPN Mat. 105

CE 030121
 AFC 30
 ICP 378
 SPN Mat. 127
 Age/Calv. 5/3
 Avg. WI/Calv 111/2

AG 020251
 SPN Mat. 121
SYF 990070
 SPN Mat. 87
LAR 030398
 SPN Mat. 71
ADV 040060
 SPN Mat. 88
CE 990259
 SPN Mat. 85
CE 000050
 SPN Mat. 109
RCO 970028
 SPN Mat. 104
CE 980108
 SPN Mat. 126

Lot	Seller	ID	PARENTS	Test	Breeding Value Indexes										R:	Calf ID	Breeder Own Remarks		
					DIRECT CALF TRAITS		DAUGHTER TRAITS		GROWTH		EFF.	REP	MEASURE-MENTS					R:	Calf AT FOOT
					Progeny Birth Weight	Progeny Wean Weight	Ease of Calving	Milk prod.	Mature Weight	Post Wean Weight			Daily Gain	Feed Conv					
Gen	SIRE GV PV	DAM GV PV	Genomic Tested	DNA	Birth Dir	Wean Dir	Birth Mat	Wean Mat	Mat Wgt	Post Wean	ADG	FCR	SC	Hgt	Lgt	LHR	Birth Date (Weight)		
				Birth Date	Acc	Acc	Acc	Acc	Acc	Acc	Acc	Acc	Acc	Acc	Acc	Acc	BWR	Sire	
					Wgt kg	Wgt kg	Ind	kg	kg	kg	365dM	540d Ind	Ind	Ind	(mm)	(mm)	(mm)	GT / POLLED	
118	P.F. SCHEEPERS	CEF 150064	ADV 100068	PW540	107	121	122	82	111	123	116	108	106	111	112	-	261	NAT:DAJ150086 (30.10.19-10.02.20)	
					0.31	22.9	-1.20	-1.1	22.0	38.2	173	-64	14.8	10	30	6.67	5.3		
		SP	CE 060009	29.03.15	81	76	72	73	66	70	57	37	59	60	59	33.2	3		