



# HAYFIELD BONSMARA GROEP

21 Augustus 2020 | 11:00 | Hayfield, Ventersburg

OP AANBOD

**35 STOETBULLE & 200 KOMMERSIËLE KOEIE**

[Klik hier om te registreer](#)

[Klik hier om in te teken](#)

[Klik hier vir die Termes en Voorwaardes](#)



The Trusted Home of Agriculture  
Die Betroubare Tuiste van Landbou

# BULLE

LOT 1 - 37



[Klik hier om te registreer](#)

[Klik hier om in te teken](#)



The Trusted Home of Agriculture  
Die Betroubare Tuiste van Landbou

Bulle

# HAYFIELD BONSMARAS

LOT 1



**FUZ 170125 | SP**

**Verkoper:** Fuz Bonsmaras

**Geboortedatum:** 2017-10-15

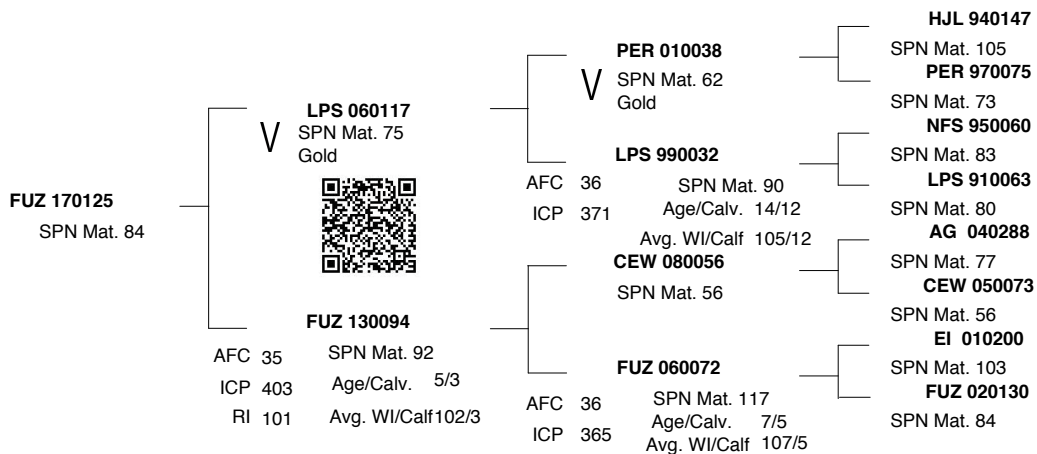
**Ouers:** Vader - LPS 060117

Moeder - FUZ 130094

**Skrotum:** 40cm

NOTAS:

DIRECT CALF TRAITS		DAUGHTER TRAITS			GROWTH		EFF.	REP	MEASUREMENTS			R:
Progeny Birth Weight	Progeny Wean Weight	Ease of Calving	Milk prod.	Mature Weight	Post Wean Weight	Daily Gain	Feed Conv		Height & Length			
Breeding Value Indexes												
Birth Dir	Wean Dir	Birth Mat	Wean Mat	Mat Wgt	Post Wean	ADG	FCR	SC	Hgt	Lgt	LHR	
Acc	Acc	Acc	Acc	Acc	Acc	Acc	Acc	Acc	Acc	Acc	BWR	
Wgt kg	Wgt kg	Ind	kg	kg	kg	365d Ind	540d Ind	Ind	Ind	(mm)	(mm)	(mm)
<b>70</b>	<b>123</b>	<b>97</b>	<b>84</b>	<b>124</b>	<b>125</b>	<b>126</b>	<b>114</b>	<b>109</b>	<b>113</b>	<b>117</b>	1.23	
4.18	24.0	-0.04	-0.7	37.0	39.2	218	-75	16.8	12	39	-	
76	73	58	60	51	64	68	39	75	76	73		
44	308	<b>113</b>			-	<b>105</b>	-	340	1197	1469	58	



The Trusted Home of Agriculture  
Die Betroubare Tuiste van Landbou

# Bulle

# HAYFIELD BONSMARAS

## LOT 2



**ABM 170074 | B**

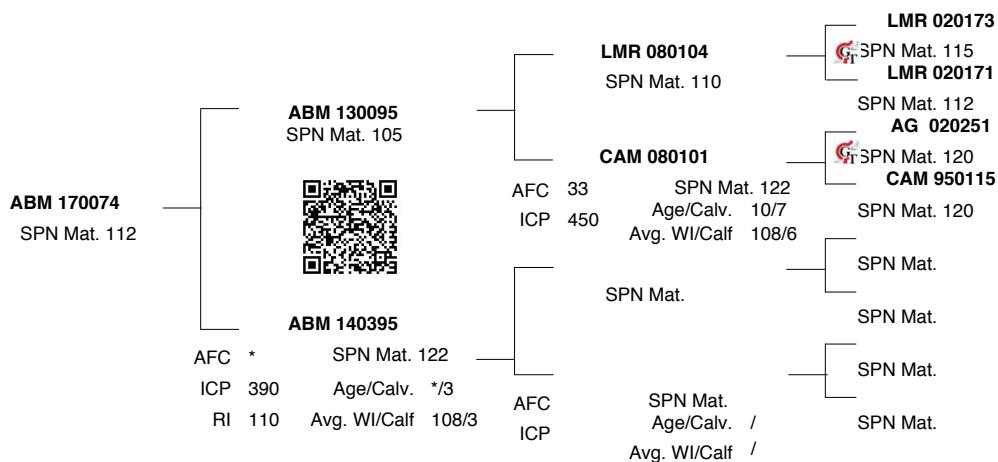
**Verkoper:** Mpola Trust

**Geboortedatum:** 2017-09-21

**Ouers:** Vader - ABM 130095  
Moeder - ABM 140395

**NOTAS:**

DIRECT CALF TRAITS			DAUGHTER TRAITS			GROWTH		EFF.	REP	MEASURE-MENTS			R:
Progeny Birth Weight	Progeny Wean Weight		Ease of Calving	Milk prod.	Mature Weight	Post Wean Weight	Daily Gain	Feed Conv		Height & Length			
Breeding Value Indexes													
Birth Dir	Wean Dir		Birth Mat	Wean Mat	Mat Wgt	Post Wean	ADG	FCR	SC	Hgt	Lgt	LHR	
Acc	Acc		Acc	Acc	Acc	Acc	Acc	Acc	Acc	Acc	Acc	BWR	
Wgt kg	Wgt kg	Ind	kg	kg	kg	365d Ind	540d Ind	Ind	Ind	(mm)	(mm)	(mm)	WWR
<b>101</b>	<b>113</b>		<b>87</b>	<b>112</b>	<b>110</b>	<b>116</b>	<b>125</b>	<b>117</b>	<b>112</b>	<b>119</b>	<b>120</b>	1.17	
0.94	19.5		0.40	7.3	21.0	33.4	212	-82	19.5	17	42	-	
72	66		43	45	27	48	63	17	72	73	70		
36	275	<b>109</b>				-	<b>91</b>	-	341	1204	1413	57.9	



# Bulle

# HAYFIELD BONSMARAS

## LOT 3



**FUZ 170109 | SP**

**Verkoper:** Fuz Bonsmaras

**Geboortedatum:** 2017-10-11

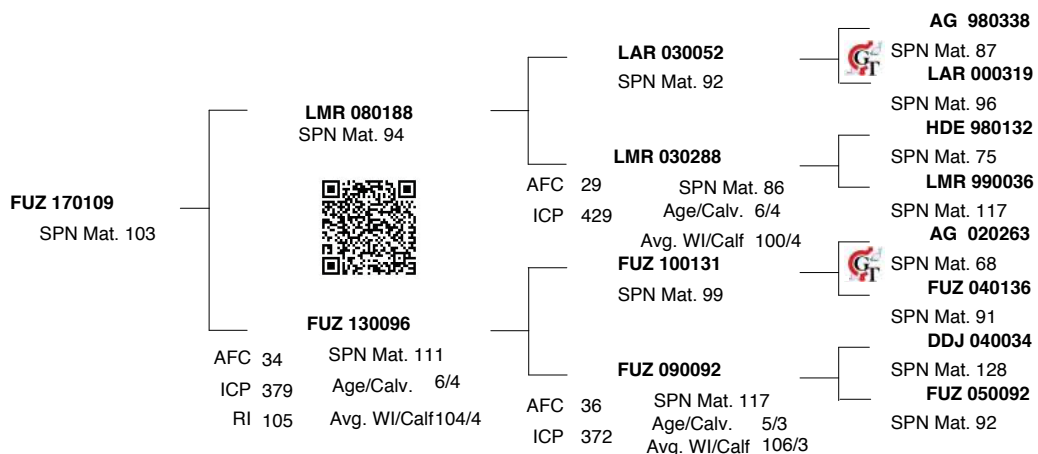
**Ouers:** Vader - LMR 080188

Moeder - FUZ 130096

**Skrotum:** 41cm

**NOTAS:**

DIRECT CALF TRAITS		DAUGHTER TRAITS			GROWTH		EFF.	REP	MEASURE-MENTS			R:
Progeny Birth Weight	Progeny Wean Weight	Ease of Calving	Milk prod.	Mature Weight	Post Wean Weight	Daily Gain	Feed Conv		Height & Length			
Breeding Value Indexes												
Birth Dir	Wean Dir	Birth Mat	Wean Mat	Mat Wgt	Post Wean	ADG	FCR	SC	Hgt	Lgt	LHR	
Acc	Acc	Acc	Acc	Acc	Acc	Acc	Acc	Acc	Acc	Acc	BWR	
Wgt kg	Wgt kg	Ind	kg	kg	kg	365d Ind	540d Ind	Ind	Ind	(mm)	(mm)	(mm)
<b>77</b>	<b>102</b>	<b>98</b>	<b>103</b>	<b>109</b>	<b>103</b>	<b>103</b>	<b>95</b>	<b>107</b>	<b>91</b>	<b>108</b>	1.24	
3.50	14.4	-0.10	4.7	20.0	23.8	109	-36	15.1	-6	25	-	
76	72	55	57	42	62	67	26	75	76	73	-	
40	274	<b>100</b>			-	<b>93</b>	-	365	1155	1427	54.7	



Bulle

# HAYFIELD BONSMARAS

LOT 4



**FUZ 170171 | SP**

**Verkoper:** Fuz Bonsmaras

**Geboortedatum:** 2017-11-06

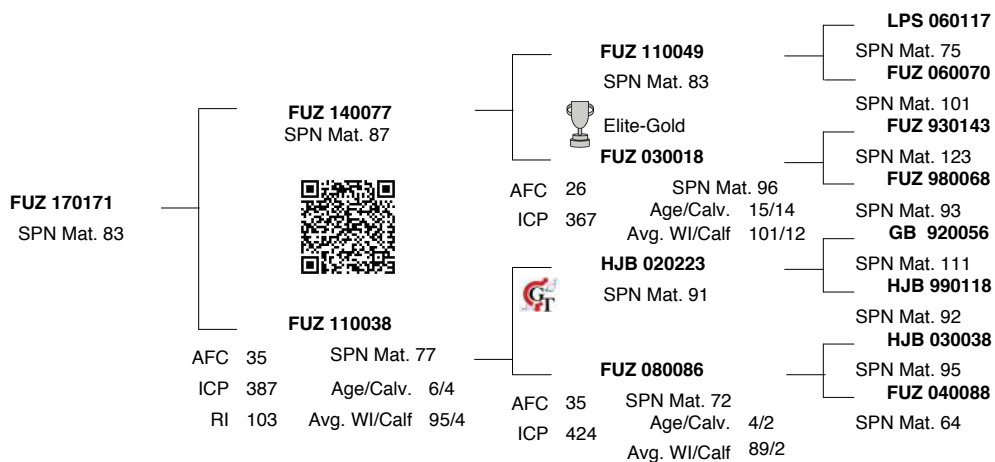
**Ouers:** Vader - FUZ 140077

Moeder - FUZ 110038

**Skrotum:** 42cm

NOTAS:

DIRECT CALF TRAITS		DAUGHTER TRAITS			GROWTH		EFF.	REP	MEASUREMENTS			R:	
Progeny Birth Weight	Progeny Wean Weight	Ease of Calving	Milk prod.	Mature Weight	Post Wean Weight	Daily Gain	Feed Conv		Height & Length				
<b>Breeding Value Indexes</b>													
Birth Dir	Wean Dir	Birth Mat	Wean Mat	Mat Wgt	Post Wean	ADG	FCR	SC	Hgt	Lgt	LHR		
Acc	Acc	Acc	Acc	Acc	Acc	Acc	Acc	Acc	Acc	Acc	BWR		
Wgt kg	Wgt kg	Ind	kg	kg	kg	365d Ind	540d Ind	Ind	Ind	(mm)	(mm)	(mm)	WWR
<b>89</b>	<b>120</b>	<b>84</b>	<b>83</b>	<b>119</b>	<b>123</b>	<b>115</b>	<b>111</b>	<b>105</b>	<b>113</b>	<b>106</b>	1.14		
2.17	22.7	0.55	-0.9	31.0	38.1	168	-69	14.1	12	23	-		
75	71	47	50	38	55	64	19	73	75	71			
45	268	<b>99</b>			-	<b>102</b>	-	346	1184	1354	45.4		



The Trusted Home of Agriculture  
Die Betroubare Tuiste van Landbou

# Bulle

# HAYFIELD BONSMARAS

## LOT 5



**ABM 170034 | SP**

**Verkoper:** Mpola Trust

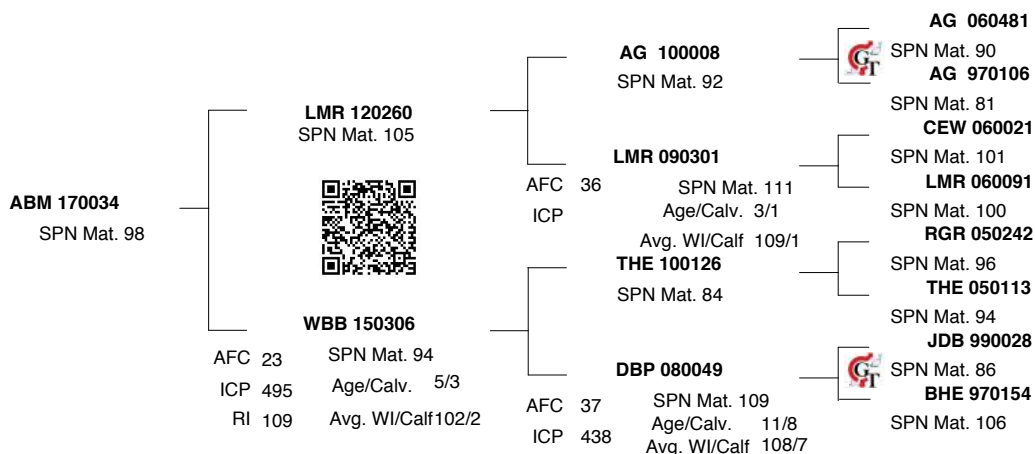
**Geboortedatum:** 2017-09-08

**Ouers:** Vader - LMR 120260

Moeder - WBB 150306

**NOTAS:**

DIRECT CALF TRAITS			DAUGHTER TRAITS			GROWTH		EFF.	REP	MEASURE- MENTS	R:		
Progeny Birth Weight	Progeny Wean Weight		Ease of Calving	Milk prod.	Mature Weight	Post Wean Weight	Daily Gain	Feed Conv		Height & Length			
Breeding Value Indexes													
Birth Dir	Wean Dir		Birth Mat	Wean Mat	Mat Wgt	Post Wean	ADG	FCR	SC	Hgt	Lgt	LHR	
Acc	Acc		Acc	Acc	Acc	Acc	Acc	Acc	Acc	Acc	Acc	BWR	
Wgt kg	Wgt kg	Ind	kg	kg	kg	365d Ind	540d Ind	Ind	Ind	(mm)	(mm)	(mm)	WWR
<b>110</b>	<b>99</b>		<b>112</b>	<b>98</b>	<b>94</b>	<b>102</b>	<b>99</b>	<b>95</b>	<b>105</b>	<b>97</b>	<b>108</b>	1.22	
0.01	13.1		-0.73	3.2	3.0	23.3	93	-35	13.6	-1	25	-	
78	74		48	50	38	63	67	23	75	76	73		
28	245	<b>99</b>				-	<b>90</b>	-	363	1171	1433	59.8	



# Bulle

# HAYFIELD BONSMARAS

## LOT 6



**ABM 170004 | SP**

**Verkoper:** Mpola Trust

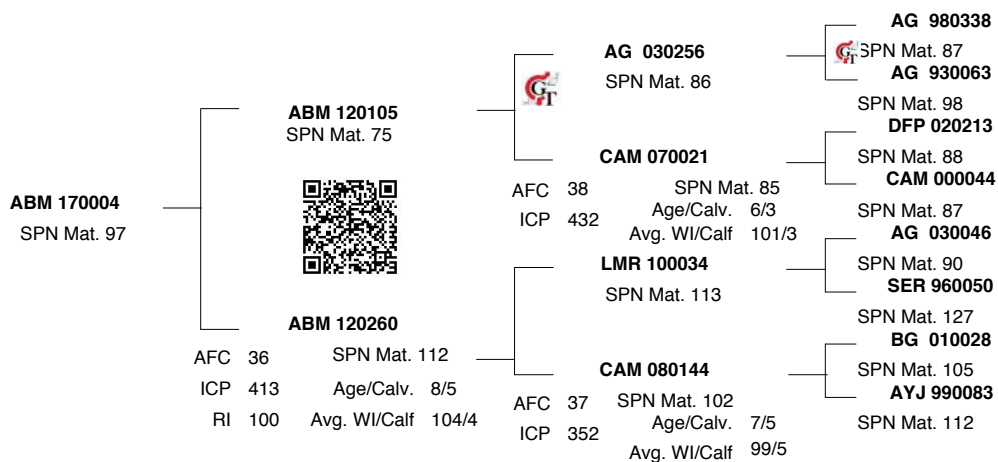
**Geboortedatum:** 2017-03-15

**Ouers:** Vader - ABM 120105

Moeder - ABM 120260

**NOTAS:**

DIRECT CALF TRAITS			DAUGHTER TRAITS			GROWTH		EFF.	REP	MEASUREMENTS			R:
Progeny Birth Weight	Progeny Wean Weight		Ease of Calving	Milk prod.	Mature Weight	Post Wean Weight	Daily Gain	Feed Conv		Height & Length			
<b>Breeding Value Indexes</b>													
Birth Dir	Wean Dir		Birth Mat	Wean Mat	Mat Wgt	Post Wean	ADG	FCR	SC	Hgt	Lgt	LHR	
Acc	Acc		Acc	Acc	Acc	Acc	Acc	Acc	Acc	Acc	Acc	BWR	
Wgt kg	Wgt kg	Ind	kg	kg	kg	365d Ind	540d Ind	Ind	Ind	(mm)	(mm)	(mm)	WWR
<b>93</b>	<b>111</b>		<b>84</b>	<b>97</b>	<b>104</b>	<b>113</b>	<b>111</b>	<b>101</b>	<b>104</b>	<b>93</b>	<b>106</b>	1.23	
1.79	18.6		0.55	3.1	14.0	31.1	151	-49	12.9	-4	22	-	
76	71		52	53	43	56	65	23	74	75	72		
36	182	<b>93</b>				-	<b>118</b>	-	354	1184	1457	38.7	





# Bulle

# HAYFIELD BONSMARAS

## LOT 7



**FUZ 170051 | SP**

**Verkoper:** Fuz Bonsmaras

**Geboortedatum:** 2017-09-13

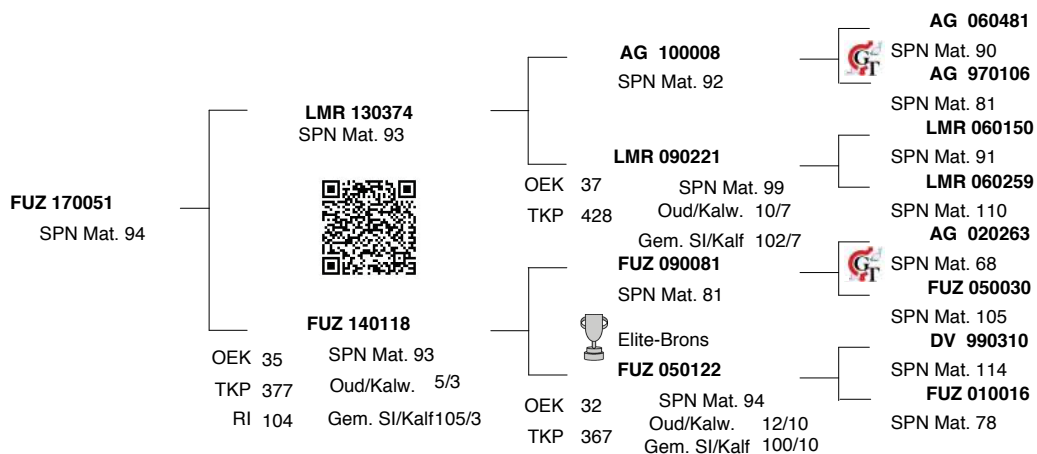
**Ouers:** Vader - LMR 130374

Moeder - FUZ 140118

**Skrotum:** 42cm

**NOTAS:**

DIRECT CALF TRAITS			DAUGHTER TRAITS			GROWTH		EFF.	REP	MEASURE-MENTS			R:
Progeny Birth Weight	Progeny Wean Weight		Ease of Calving	Milk prod.	Mature Weight	Post Wean Weight	Daily Gain	Feed Conv		Height & Length			
Breeding Value Indexes													
Birth Dir	Wean Dir		Birth Mat	Wean Mat	Mat Wgt	Post Wean	ADG	FCR	SC	Hgt	Lgt	LHR	
Acc	Acc		Acc	Acc	Acc	Acc	Acc	Acc	Acc	Acc	Acc	BWR	
Wgt kg	Wgt kg	Ind	kg	kg	kg	365d Ind	540d Ind	Ind	Ind	(mm)	(mm)	(mm)	WWR
<b>99</b>	<b>106</b>		<b>111</b>	<b>94</b>	<b>91</b>	<b>111</b>	<b>107</b>	<b>107</b>	<b>98</b>	<b>95</b>	<b>103</b>	1.23	
1.14	16.3		-0.68	2.1	0.0	29.3	129	-61	8.1	-3	18	-	
76	71		48	50	38	57	65	24	73	75	72		
35	263	<b>98</b>				-	<b>108</b>	-	329	1139	1405	55.4	



Bulle

# HAYFIELD BONSMARAS

LOT 8



**FUZ 170049 | SP**

**Verkoper:** Fuz Bonsmaras

**Geboortedatum:** 2017-09-18

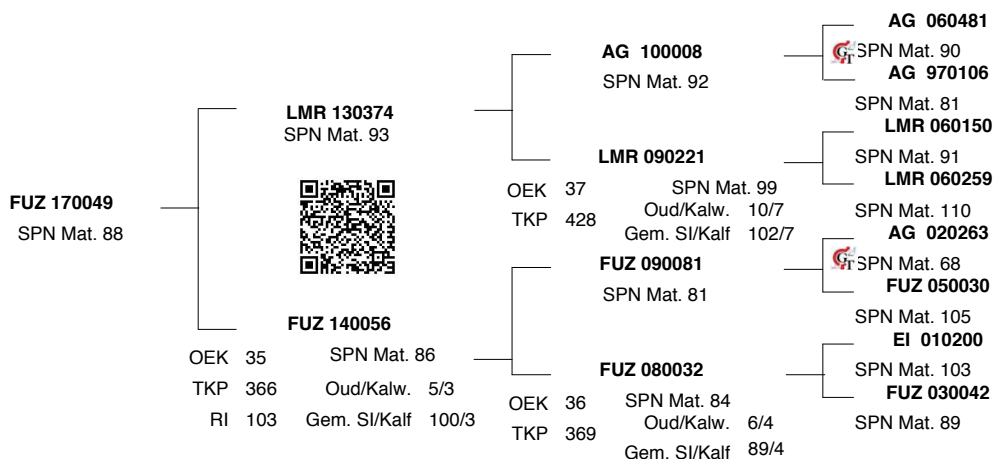
**Ouers:** Vader - LMR 130374

Moeder - FUZ 140056

**Skrotum:** 39cm

NOTAS:

DIRECT CALF TRAITS			DAUGHTER TRAITS			GROWTH		EFF.	REP	MEASURE-MENTS			R:
Progeny Birth Weight	Progeny Wean Weight		Ease of Calving	Milk prod.	Mature Weight	Post Wean Weight	Daily Gain	Feed Conv		Height & Length			
Breeding Value Indexes													
Birth Dir	Wean Dir		Birth Mat	Wean Mat	Mat Wgt	Post Wean		ADG	FCR	SC	Hgt	Lgt	LHR
Acc	Acc		Acc	Acc	Acc	Acc		Acc	Acc	Acc	Acc	Acc	BWR
Wgt kg	Wgt kg	Ind	kg	kg	kg	365d Ind	540d Ind	Ind	Ind	(mm)	(mm)	(mm)	WWR
<b>97</b>	<b>103</b>		<b>108</b>	<b>88</b>	<b>107</b>	<b>102</b>	<b>95</b>	<b>98</b>	<b>116</b>	<b>81</b>	<b>91</b>		1.2
1.37	14.6		-0.57	0.5	18.0	23.0	74	-43	22.8	-14	2		-
76	71		48	49	38	57	65	24	74	75	72		
35	267	<b>99</b>				-	<b>106</b>	-	392	1102	1327		47



The Trusted Home of Agriculture  
Die Betroubare Tuiste van Landbou

# Bulle

# HAYFIELD BONSMARAS

## LOT 9



KLIK VIR VIDEO

**ABM 170161 | SP**

**Verkoper:** Mpola Trust

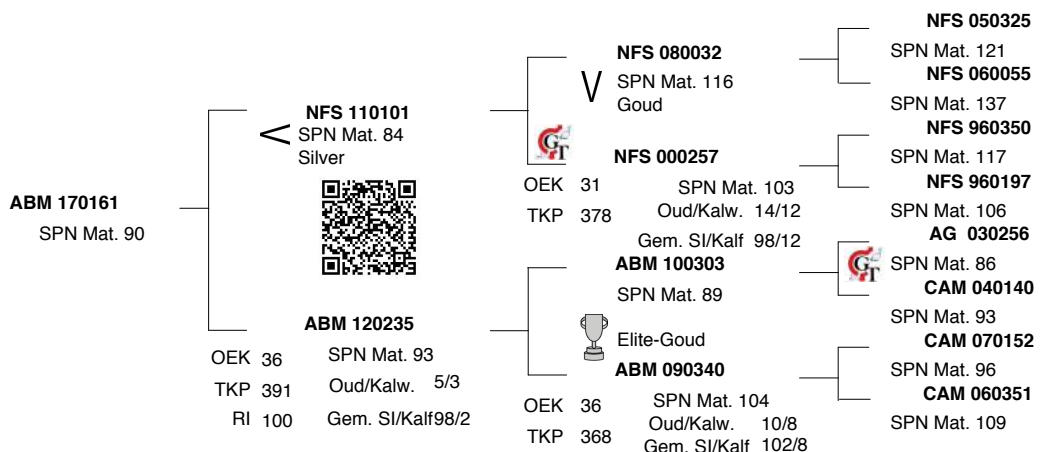
**Geboortedatum:** 2017-11-06

**Ouers:** Vader - NFS 110101

Moeder - ABM 120235

NOTAS:

DIRECT CALF TRAITS		DAUGHTER TRAITS			GROWTH		EFF.	REP	MEASURE-MENTS			R:
Progeny Birth Weight	Progeny Wean Weight	Ease of Calving	Milk prod.	Mature Weight	Post Wean Weight	Daily Gain	Feed Conv		Height & Length			
Breeding Value Indexes												
Birth Dir	Wean Dir	Birth Mat	Wean Mat	Mat Wgt	Post Wean	ADG	FCR	SC	Hgt	Lgt	LHR	
Acc	Acc	Acc	Acc	Acc	Acc	Acc	Acc	Acc	Acc	Acc	BWR	
Wgt kg	Wgt kg	Ind	kg	kg	kg	365d Ind	540d Ind	Ind	Ind	(mm)	(mm)	WWR
<b>97</b>	<b>100</b>	<b>99</b>	<b>90</b>	<b>111</b>	<b>99</b>	<b>107</b>	<b>116</b>	<b>102</b>	<b>102</b>	<b>98</b>	1.16	
1.31	13.4	-0.14	1.0	22.0	21.2	129	-80	11.6	3	12	-	
76	72	56	58	50	60	68	49	75	76	73		
36	221	<b>90</b>			-	<b>103</b>	-	334	1156	1345	38.8	



Bulle

# HAYFIELD BONSMARAS

LOT 10



**ABM 170110 | SP**

**Verkoper:** Mpola Trust

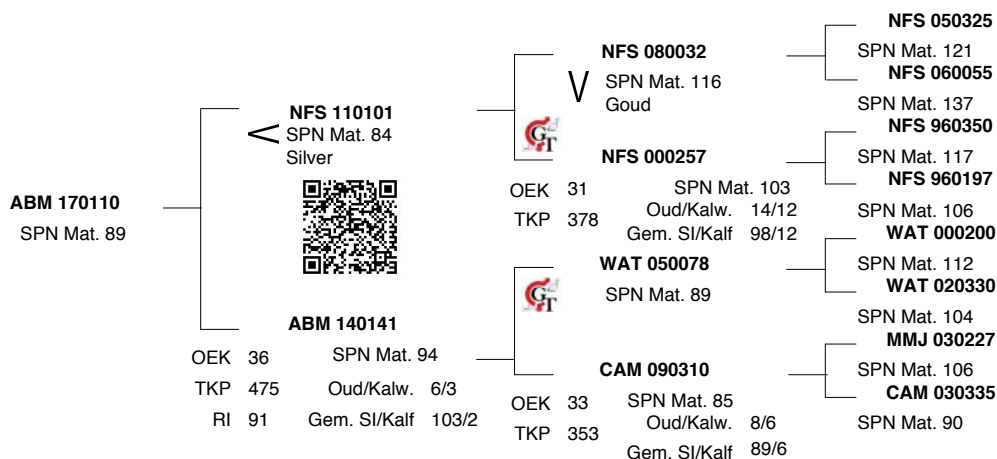
**Geboortedatum:** 2017-10-06

**Ouers:** Vader - NFS 110101

Moeder - ABM 140141

NOTAS:

DIRECT CALF TRAITS		DAUGHTER TRAITS			GROWTH		EFF.	REP	MEASUREMENTS			R:
Progeny Birth Weight	Progeny Wean Weight	Ease of Calving	Milk prod.	Mature Weight	Post Wean Weight	Daily Gain	Feed Conv		Height & Length			
Breeding Value Indexes												
Birth Dir	Wean Dir	Birth Mat	Wean Mat	Mat Wgt	Post Wean	ADG	FCR	SC	Hgt	Lgt	LHR	
Acc	Acc	Acc	Acc	Acc	Acc	Acc	Acc	Acc	Acc	Acc	BWR	
Wgt kg	Wgt kg	Ind	kg	kg	kg	365d Ind	540d Ind	Ind	Ind	(mm)	(mm)	(mm)
<b>96</b>	<b>107</b>	<b>104</b>	<b>89</b>	<b>103</b>	<b>105</b>	<b>101</b>	<b>105</b>	<b>109</b>	<b>98</b>	<b>103</b>	1.2	
1.48	16.5	-0.38	0.7	13.0	25.0	103	-57	16.9	0	18	-	
77	73	58	59	55	62	68	53	75	77	74		
38	265	<b>103</b>			-	<b>98</b>	-	343	1161	1391	66.3	



Bulle

# HAYFIELD BONSMARAS

LOT 11



**FUZ 170093 | SP**

**Verkoper:** Fuz Bonsmaras

**Geboortedatum:** 2017-10-06

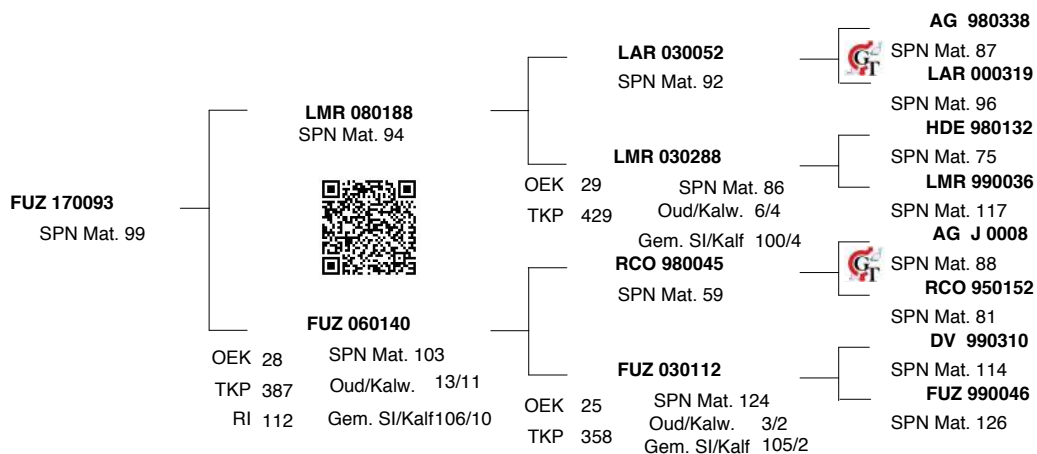
**Ouers:** Vader - LMR 080188

Moeder - FUZ 060140

**Skrotum:** 42cm

NOTAS:

DIRECT CALF TRAITS		DAUGHTER TRAITS			GROWTH		EFF.	REP	MEASURE-MENTS			R:
Progeny Birth Weight	Progeny Wean Weight	Ease of Calving	Milk prod.	Mature Weight	Post Wean Weight	Daily Gain	Feed Conv		Height & Length			
Breeding Value Indexes												
Birth Dir	Wean Dir	Birth Mat	Wean Mat	Mat Wgt	Post Wean	ADG	FCR	SC	Hgt	Lgt	LHR	
Acc	Acc	Acc	Acc	Acc	Acc	Acc	Acc	Acc	Acc	Acc	BWR	
Wgt kg	Wgt kg	Ind	kg	kg	kg	365d Ind	540d Ind	Ind	Ind	(mm)	(mm)	WWR
<b>86</b>	<b>107</b>	<b>104</b>	<b>99</b>	<b>107</b>	<b>106</b>	<b>99</b>	<b>97</b>	<b>101</b>	<b>101</b>	<b>106</b>	1.19	
2.51	16.5	-0.35	3.5	18.0	26.3	93	-41	10.5	2	23	-	
78	75	59	62	46	64	69	29	76	77	75		
40	286	<b>105</b>			-	<b>93</b>	-	354	1193	1424	54.7	



The Trusted Home of Agriculture  
Die Betroubare Tuiste van Landbou

Bulle

# HAYFIELD BONSMARAS

LOT 12



**FUZ 170019 | SP**

**Verkoper:** Fuz Bonsmaras

**Geboortedatum:** 2017-08-27

**Ouers:** Vader - VV 080374

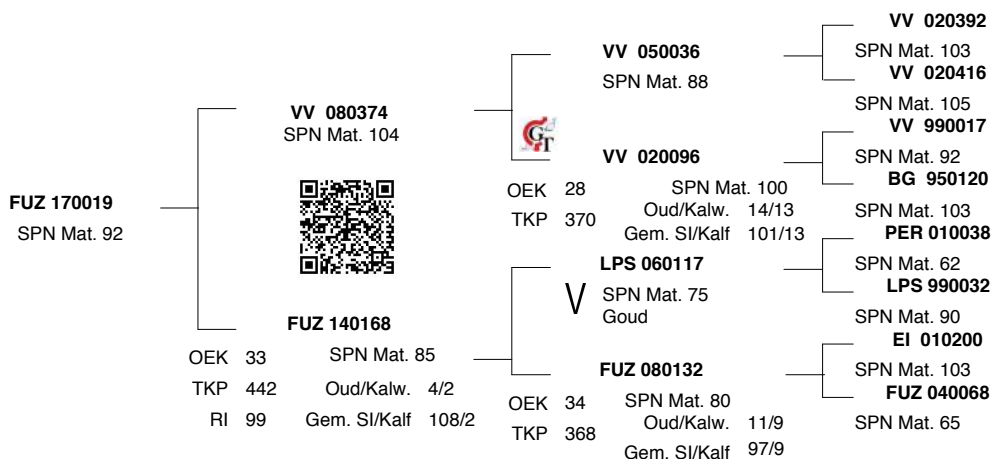
Moeder - FUZ 140168

**Skrotum:** 42cm

**NOTAS:**

Kurweknakker

DIRECT CALF TRAITS			DAUGHTER TRAITS			GROWTH		EFF.	REP	MEASURE-MENTS	R:		
Progeny Birth Weight	Progeny Wean Weight		Ease of Calving	Milk prod.	Mature Weight	Post Wean Weight	Daily Gain	Feed Conv		Height & Length			
Breeding Value Indexes													
Birth Dir	Wean Dir		Birth Mat	Wean Mat	Mat Wgt	Post Wean	ADG	FCR	SC	Hgt	Lgt	LHR	
Acc	Acc		Acc	Acc	Acc	Acc	Acc	Acc	Acc	Acc	Acc	BWR	
Wgt kg	Wgt kg	Ind	kg	kg	kg	365d Ind	540d Ind	Ind	Ind	(mm)	(mm)	(mm)	WWR
<b>105</b>	<b>124</b>		<b>119</b>	<b>92</b>	<b>106</b>	<b>115</b>	<b>105</b>	<b>103</b>	<b>119</b>	<b>120</b>	<b>114</b>	1.18	
0.50	24.5		-1.03	1.6	17.0	32.6	120	-53	25.3	18	34	-	
63	72		56	59	51	63	68	27	75	76	74		
-	283	<b>106</b>				-	<b>96</b>	-	396	1215	1432	61.3	



The Trusted Home of Agriculture  
Die Betroubare Tuiste van Landbou

Bulle

# HAYFIELD BONSMARAS

## LOT 13



**ABM 170029 | SP**

**Verkoper:** Mpola Trust

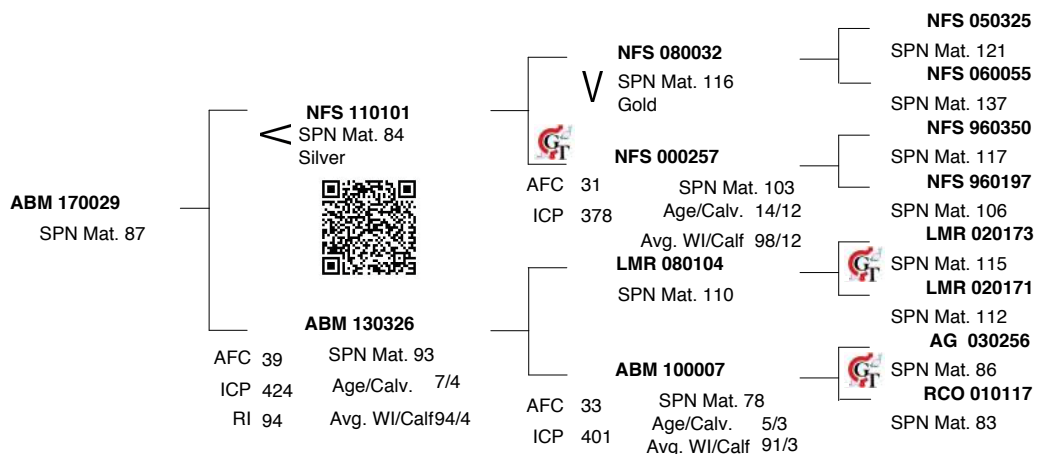
**Geboortedatum:** 2017-09-04

**Ouers:** Vader - NFS 110101

Moeder - ABM 130326

**NOTAS:**

DIRECT CALF TRAITS			DAUGHTER TRAITS			GROWTH		EFF.	REP	MEASUREMENTS			R:
Progeny Birth Weight	Progeny Wean Weight		Ease of Calving	Milk prod.	Mature Weight	Post Wean Weight	Daily Gain	Feed Conv		Height & Length			
Breeding Value Indexes													
Birth Dir	Wean Dir		Birth Mat	Wean Mat	Mat Wgt	Post Wean	ADG	FCR	SC	Hgt	Lgt	LHR	
Acc	Acc		Acc	Acc	Acc	Acc	Acc	Acc	Acc	Acc	Acc	BWR	
Wgt kg	Wgt kg	Ind	kg	kg	kg	365d Ind	540d Ind	Ind	Ind	(mm)	(mm)	(mm)	WWR
<b>108</b>	<b>95</b>		<b>109</b>	<b>87</b>	<b>106</b>	<b>93</b>	<b>97</b>	<b>109</b>	<b>104</b>	<b>90</b>	<b>91</b>	1.16	
0.20	11.0		-0.60	0.3	17.0	16.8	83	-66	12.5	-7	1	-	
77	73		58	61	53	61	69	50	76	76	74	-	
32	236	<b>92</b>				-	<b>90</b>	-	362	1189	1381	45.4	



The Trusted Home of Agriculture  
Die Betroubare Tuiste van Landbou

# Bulle

# HAYFIELD BONSMARAS

## LOT 14



**ABM 170050 | SP**

**Verkoper:** Mpola Trust

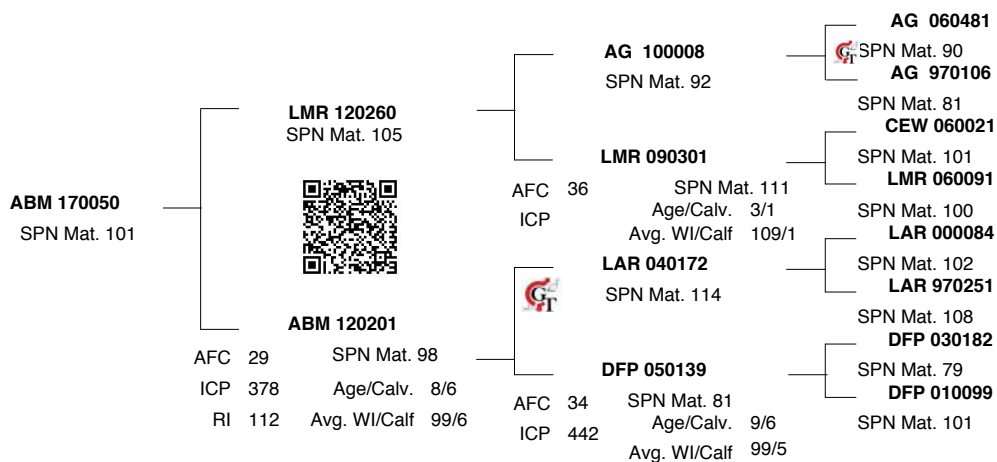
**Geboortedatum:** 2017-09-14

**Ouers:** Vader - LMR 120260

Moeder - ABM 120201

**NOTAS:**

DIRECT CALF TRAITS			DAUGHTER TRAITS			GROWTH		EFF.	REP	MEASURE- MENTS	R:		
Progeny Birth Weight	Progeny Wean Weight		Ease of Calving	Milk prod.	Mature Weight	Post Wean Weight	Daily Gain	Feed Conv		Height & Length			
<b>Breeding Value Indexes</b>													
<b>Birth Dir</b>	<b>Wean Dir</b>		<b>Birth Mat</b>	<b>Wean Mat</b>	<b>Mat Wgt</b>	<b>Post Wean</b>	<b>ADG</b>	<b>FCR</b>	<b>SC</b>	<b>Hgt</b>	<b>Lgt</b>	<b>LHR</b>	
Acc	Acc		Acc	Acc	Acc	Acc	Acc	Acc	Acc	Acc	Acc	BWR	
Wgt kg	Wgt kg	Ind	kg	kg	kg	365d Ind	540d Ind	Ind	Ind	(mm)	(mm)	(mm)	WWR
<b>99</b>	<b>108</b>		<b>97</b>	<b>101</b>	<b>113</b>	<b>119</b>	<b>124</b>	<b>113</b>	<b>111</b>	<b>117</b>	<b>116</b>	1.18	
1.13	17.0		-0.04	4.1	24.0	35.5	211	-73	18.8	16	36	-	
77	74		51	56	44	61	68	28	76	77	74		
34	246	<b>96</b>				-	<b>109</b>	-	350	1254	1477	46.9	





# Bulle

# HAYFIELD BONSMARAS

## LOT 15



**FUZ 170199 | SP**

**Verkoper:** Fuz Bonsmaras

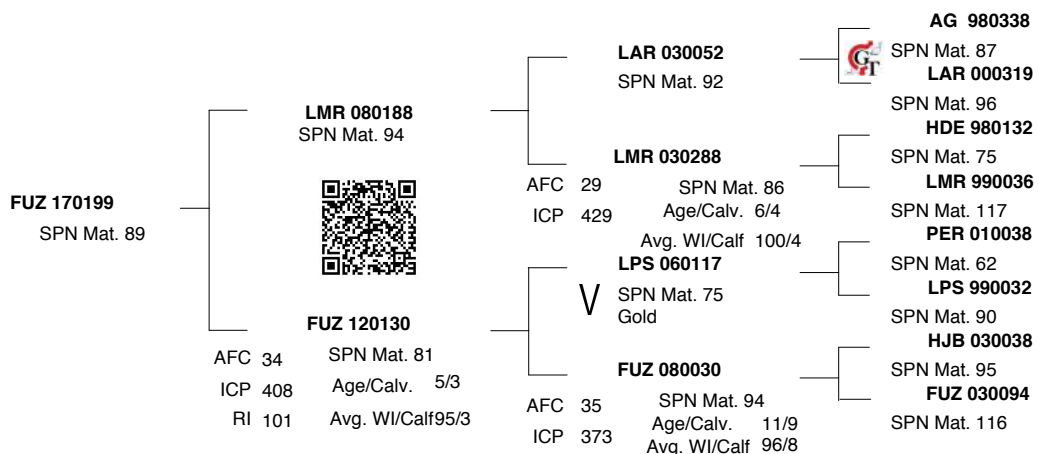
**Geboortedatum:** 2017-11-28

**Ouers:** Vader - LMR 080188  
Moeder - FUZ 120130

**Skrotum:** 42cm

**NOTAS:**

DIRECT CALF TRAITS		DAUGHTER TRAITS			GROWTH		EFF.	REP	MEASURE-MENTS			R:
Progeny Birth Weight	Progeny Wean Weight	Ease of Calving	Milk prod.	Mature Weight	Post Wean Weight	Daily Gain	Feed Conv		Height & Length			
Breeding Value Indexes												
Birth Dir	Wean Dir	Birth Mat	Wean Mat	Mat Wgt	Post Wean	ADG	FCR	SC	Hgt	Lgt	LHR	
Acc	Acc	Acc	Acc	Acc	Acc	Acc	Acc	Acc	Acc	Acc	BWR	
Wgt kg	Wgt kg	Ind	kg	kg	kg	365d Ind	540d Ind	Ind	Ind	(mm)	(mm)	WWR
<b>91</b>	<b>102</b>	<b>91</b>	<b>89</b>	<b>118</b>	<b>109</b>	<b>112</b>	<b>98</b>	<b>117</b>	<b>106</b>	<b>112</b>	1.19	
2.02	14.2	0.24	0.7	30.0	27.9	153	-42	23.7	7	32	-	
76	72	55	58	44	62	68	31	75	76	74		
39	251	<b>94</b>			-	<b>111</b>	-	362	1174	1397	42.9	



Bulle

# HAYFIELD BONSMARAS

LOT 16



**FUZ 170073 | SP**

**Verkoper:** Fuz Bonsmaras

**Geboortedatum:** 2017-09-29

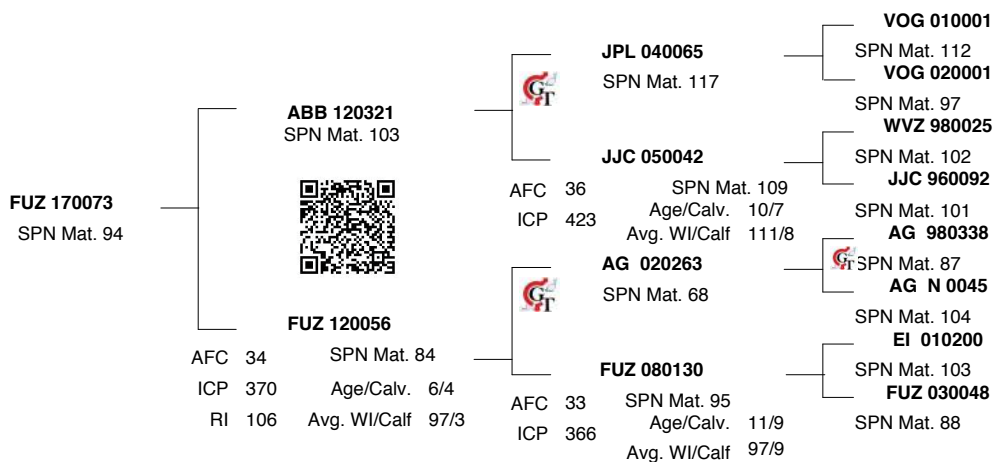
**Ouers:** Vader - ABB 120321

Moeder - FUZ 120056

**Skrotum:** 43cm

NOTAS:

DIRECT CALF TRAITS			DAUGHTER TRAITS			GROWTH		EFF.	REP	MEASUREMENTS			R:
Progeny Birth Weight	Progeny Wean Weight		Ease of Calving	Milk prod.	Mature Weight	Post Wean Weight	Daily Gain	Feed Conv		Height & Length			
Breeding Value Indexes													
Birth Dir	Wean Dir		Birth Mat	Wean Mat	Mat Wgt	Post Wean	ADG	FCR	SC	Hgt	Lgt	LHR	
Acc	Acc		Acc	Acc	Acc	Acc	Acc	Acc	Acc	Acc	Acc	BWR	
Wgt kg	Wgt kg	Ind	kg	kg	kg	365d Ind	540d Ind	Ind	Ind	(mm)	(mm)	(mm)	WWR
<b>99</b>	<b>101</b>		<b>93</b>	<b>94</b>	<b>96</b>	<b>101</b>	<b>110</b>	<b>108</b>	<b>98</b>	<b>118</b>	<b>108</b>	1.17	
1.13	13.7		0.13	2.3	5.0	22.6	143	-63	8.0	17	26	-	
76	72		52	53	44	58	66	30	74	76	73		
37	254	<b>93</b>				-	<b>108</b>	-	353	1220	1430	46.7	



The Trusted Home of Agriculture  
Die Betroubare Tuiste van Landbou

# Bulle

# HAYFIELD BONSMARAS

## LOT 17



**ABM 170023 | SP**

**Verkoper:** Mpola Trust

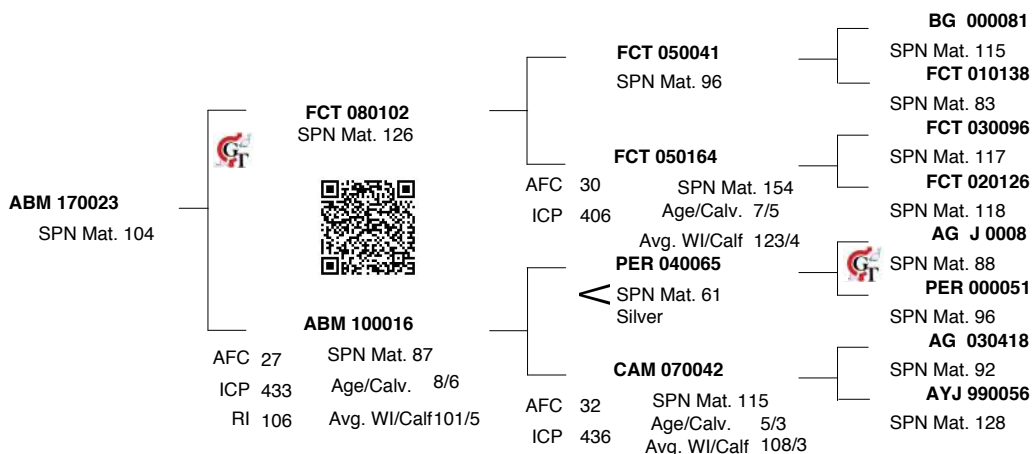
**Geboortedatum:** 2017-06-23

**Ouers:** Vader - FCT 080102

Moeder - ABM 100016

**NOTAS:**

DIRECT CALF TRAITS		DAUGHTER TRAITS			GROWTH		EFF.	REP	MEASUREMENTS			R:
Progeny Birth Weight	Progeny Wean Weight	Ease of Calving	Milk prod.	Mature Weight	Post Wean Weight	Daily Gain	Feed Conv		Height & Length			
Breeding Value Indexes												
Birth Dir	Wean Dir	Birth Mat	Wean Mat	Mat Wgt	Post Wean	ADG	FCR	SC	Hgt	Lgt	LHR	
Acc	Acc	Acc	Acc	Acc	Acc	Acc	Acc	Acc	Acc	Acc	BWR	
Wgt kg	Wgt kg	Ind	kg	kg	kg	365d Ind	540d Ind	Ind	Ind	(mm)	(mm)	WWR
<b>91</b>	<b>119</b>	<b>87</b>	<b>104</b>	<b>95</b>	<b>113</b>	<b>106</b>	<b>106</b>	<b>100</b>	<b>115</b>	<b>118</b>	1.23	
2.01	21.9	0.42	5.1	4.0	30.8	123	-60	9.4	14	40	-	
77	72	58	60	50	63	68	34	75	77	74		
39	249	<b>106</b>			-	<b>94</b>	-	333	1226	1511	42.9	



Bulle

# HAYFIELD BONSMARAS

LOT 18



**ABM 170042 | B**

**Verkoper:** Mpola Trust

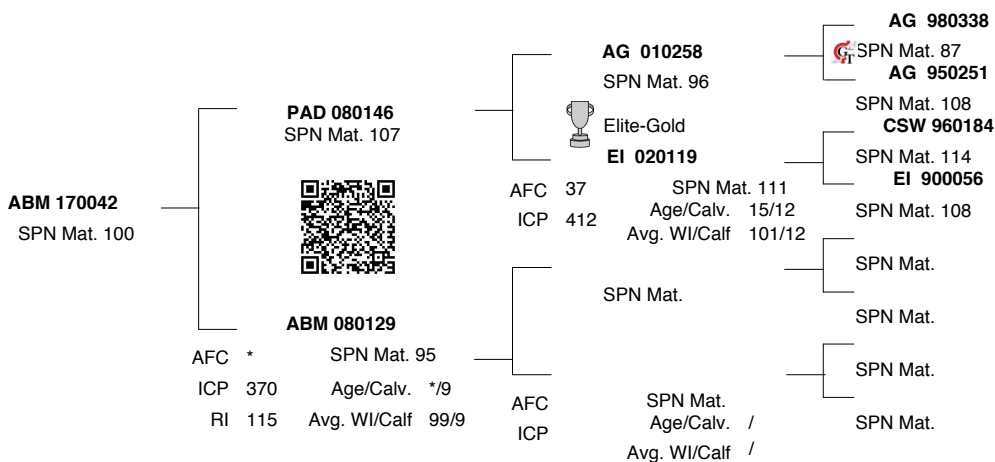
**Geboortedatum:** 2017-09-12

**Ouers:** Vader - PAD 080146

Moeder - ABM 080129

NOTAS:

DIRECT CALF TRAITS			DAUGHTER TRAITS			GROWTH		EFF.	REP	MEASURE-MENTS	R:		
Progeny Birth Weight	Progeny Wean Weight		Ease of Calving	Milk prod.	Mature Weight	Post Wean Weight	Daily Gain	Feed Conv		Height & Length			
Breeding Value Indexes													
Birth Dir	Wean Dir		Birth Mat	Wean Mat	Mat Wgt	Post Wean	ADG	FCR	SC	Hgt	Lgt	LHR	
Acc	Acc		Acc	Acc	Acc	Acc	Acc	Acc	Acc	Acc	Acc	BWR	
Wgt kg	Wgt kg	Ind	kg	kg	kg	365d Ind	540d Ind	Ind	Ind	(mm)	(mm)	(mm)	WWR
<b>95</b>	<b>100</b>		<b>92</b>	<b>100</b>	<b>99</b>	<b>98</b>	<b>92</b>	<b>91</b>	<b>93</b>	<b>107</b>	<b>101</b>	1.16	
1.52	13.4		0.17	3.8	9.0	20.3	59	-28	3.9	8	15	-	
76	72		53	57	34	58	64	22	73	75	71		
39	254	<b>97</b>				-	<b>97</b>	-	353	1233	1435	49.8	



The Trusted Home of Agriculture  
Die Betroubare Tuiste van Landbou

Bulle

# HAYFIELD BONSMARAS

LOT 19



**FUZ 170155 | SP**

**Verkoper:** Fuz Bonsmaras

**Geboortedatum:** 2017-10-25

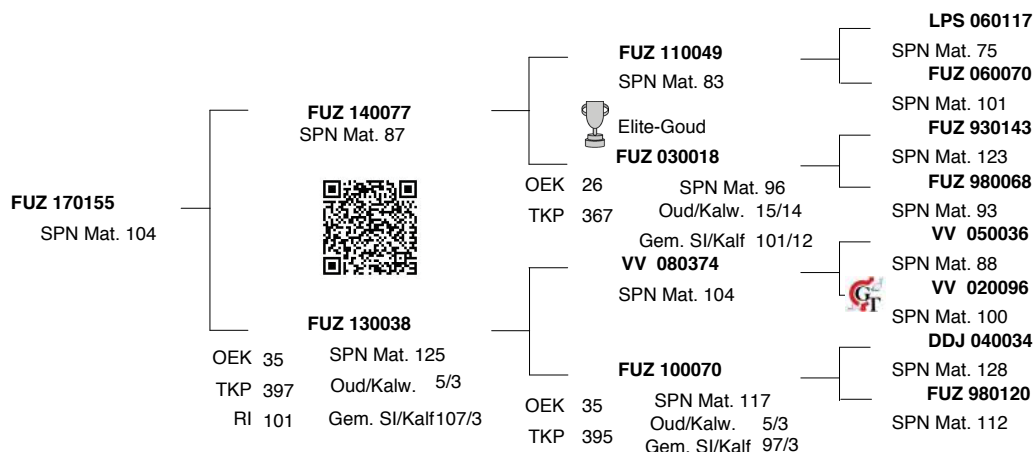
**Ouers:** Vader - FUZ 140077

Moeder - FUZ 130038

**Skrotum:** 41cm

NOTAS:

DIRECT CALF TRAITS			DAUGHTER TRAITS			GROWTH		EFF.	REP	MEASUREMENTS			R:
Progeny Birth Weight	Progeny Wean Weight		Ease of Calving	Milk prod.	Mature Weight	Post Wean Weight	Daily Gain	Feed Conv		Height & Length			
Breeding Value Indexes													
Birth Dir	Wean Dir		Birth Mat	Wean Mat	Mat Wgt	Post Wean	ADG	FCR	SC	Hgt	Lgt	LHR	
Acc	Acc		Acc	Acc	Acc	Acc	Acc	Acc	Acc	Acc	Acc	BWR	
Wgt kg	Wgt kg	Ind	kg	kg	kg	365d Ind	540d Ind	Ind	Ind	(mm)	(mm)	(mm)	WWR
<b>85</b>	<b>132</b>		<b>95</b>	<b>104</b>	<b>126</b>	<b>134</b>	<b>127</b>	<b>119</b>	<b>101</b>	<b>120</b>	<b>117</b>	1.17	
2.65	28.0		0.02	5.1	39.0	45.7	223	-86	10.3	18	38	-	
75	70		46	49	37	56	65	16	74	75	72		
38	314	118				-	119	-	319	1178	1378	56.6	



The Trusted Home of Agriculture  
Die Betroubare Tuiste van Landbou

Bulle

# HAYFIELD BONSMARAS

LOT 20



**FUZ 170029 | SP**

**Verkoper:** Fuz Bonsmaras

**Geboortedatum:** 2017-09-05

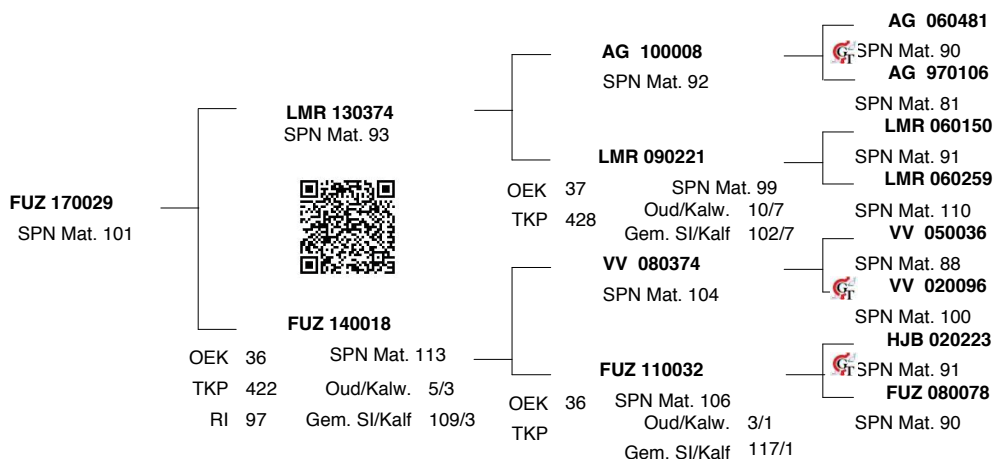
**Ouers:** Vader - LMR 130374

Moeder - FUZ 140018

**Skrotum:** 38cm

NOTAS:

DIRECT CALF TRAITS			DAUGHTER TRAITS			GROWTH		EFF.	REP	MEASURE-MENTS			R:
Progeny Birth Weight	Progeny Wean Weight		Ease of Calving	Milk prod.	Mature Weight	Post Wean Weight	Daily Gain	Feed Conv		Height & Length			
<b>Breeding Value Indexes</b>													
Birth Dir	Wean Dir		Birth Mat	Wean Mat	Mat Wgt	Post Wean	ADG	FCR	SC	Hgt	Lgt	LHR	
Acc	Acc		Acc	Acc	Acc	Acc	Acc	Acc	Acc	Acc	Acc	BWR	
Wgt kg	Wgt kg	Ind	kg	kg	kg	365d Ind	540d Ind	Ind	Ind	(mm)	(mm)	(mm)	WWR
<b>82</b>	<b>143</b>		<b>111</b>	<b>101</b>	<b>108</b>	<b>131</b>	<b>114</b>	<b>116</b>	<b>102</b>	<b>104</b>	<b>114</b>	1.2	
2.89	33.2		-0.70	4.1	19.0	43.3	163	-81	11.6	5	34	-	
76	70		48	49	39	57	65	23	73	75	72		
42	318	<b>118</b>				-	<b>91</b>	-	333	1189	1427	65	



The Trusted Home of Agriculture  
Die Betroubare Tuiste van Landbou

Bulle

# HAYFIELD BONSMARAS

LOT 21



**ABM 170169 | SP**

**Verkoper:** Mpola Trust

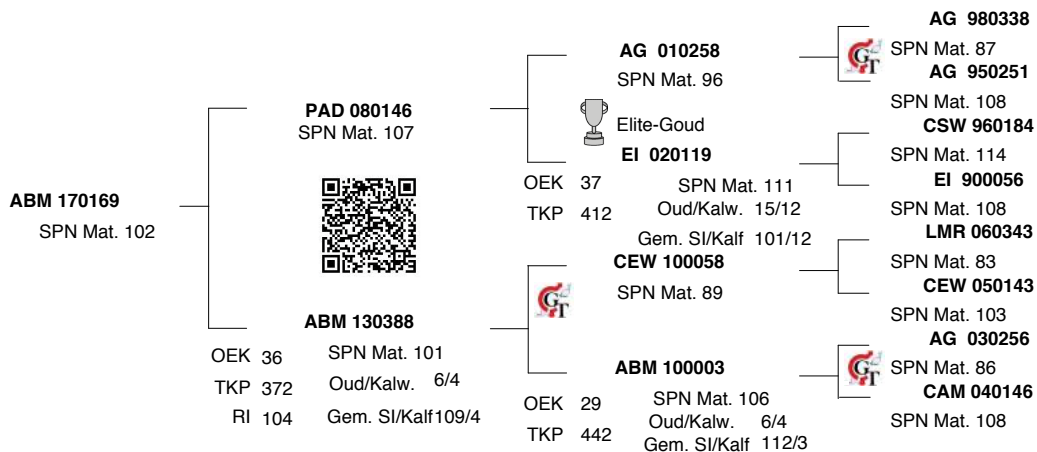
**Geboortedatum:** 2017-11-13

**Ouers:** Vader - PAD 080146

Moeder - ABM 130388

NOTAS:

DIRECT CALF TRAITS		DAUGHTER TRAITS			GROWTH		EFF.	REP	MEASUREMENTS			R:
Progeny Birth Weight	Progeny Wean Weight	Ease of Calving	Milk prod.	Mature Weight	Post Wean Weight	Daily Gain	Feed Conv		Height & Length			
Breeding Value Indexes												
Birth Dir	Wean Dir	Birth Mat	Wean Mat	Mat Wgt	Post Wean	ADG	FCR	SC	Hgt	Lgt	LHR	
Acc	Acc	Acc	Acc	Acc	Acc	Acc	Acc	Acc	Acc	Acc	BWR	
Wgt kg	Wgt kg	Ind	kg	kg	kg	365d Ind	540d Ind	Ind	Ind	(mm)	(mm)	WWR
<b>94</b>	<b>117</b>	<b>103</b>	<b>102</b>	<b>119</b>	<b>110</b>	<b>105</b>	<b>106</b>	<b>104</b>	<b>106</b>	<b>106</b>	1.17	
1.67	21.2	-0.33	4.4	31.0	28.8	121	-60	12.7	7	23	-	
76	72	49	53	42	59	65	26	74	75	72		
36	268	<b>112</b>			-	<b>94</b>	-	358	1139	1329	48.7	



The Trusted Home of Agriculture  
Die Betroubare Tuiste van Landbou

Bulle

# HAYFIELD BONSMARAS

LOT 22



**ABM 170075 | B**

**Verkoper:** Mpola Trust

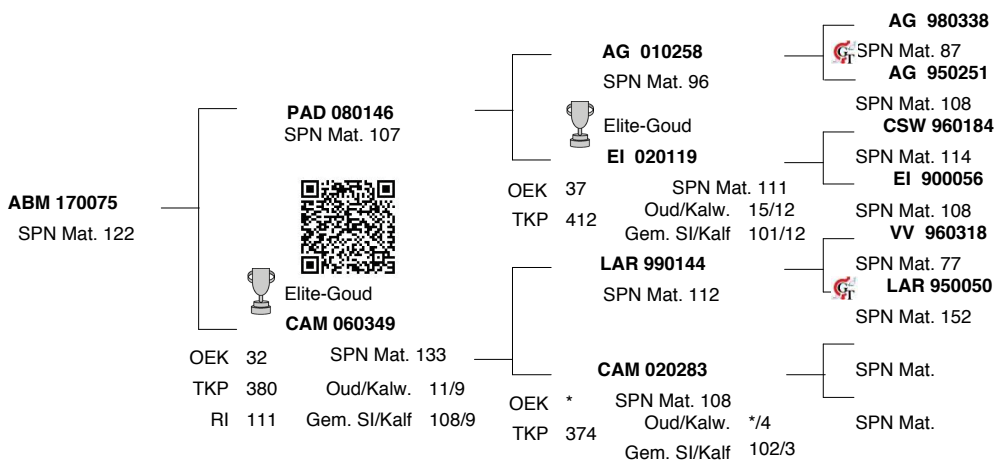
**Geboortedatum:** 2017-09-21

**Ouers:** Vader - PAD 080146

Moeder - CAM 060349

NOTAS:

DIRECT CALF TRAITS		DAUGHTER TRAITS			GROWTH		EFF.	REP	MEASURE-MENTS			R:
Progeny Birth Weight	Progeny Wean Weight	Ease of Calving	Milk prod.	Mature Weight	Post Wean Weight	Daily Gain	Feed Conv		Height & Length			
Breeding Value Indexes												
Birth Dir	Wean Dir	Birth Mat	Wean Mat	Mat Wgt	Post Wean	ADG	FCR	SC	Hgt	Lgt	LHR	
Acc	Acc	Acc	Acc	Acc	Acc	Acc	Acc	Acc	Acc	Acc	BWR	
Wgt kg	Wgt kg	Ind	kg	kg	kg	365d Ind	540d Ind	Ind	Ind	(mm)	(mm)	(mm)
<b>98</b>	<b>99</b>	<b>99</b>	<b>122</b>	<b>113</b>	<b>102</b>	<b>107</b>	<b>108</b>	<b>91</b>	<b>105</b>	<b>105</b>	1.19	
1.23	12.9	-0.12	10.2	24.0	23.0	128	-62	2.4	6	22	-	
78	74	53	56	42	59	67	27	75	76	73	-	
35	245	<b>95</b>			-	<b>99</b>	-	329	1174	1393	-	





Bulle

# HAYFIELD BONSMARAS

LOT 23



**FUZ 170061 | SP**

**Verkoper:** Fuz Bonsmaras

**Geboortedatum:** 2017-09-17

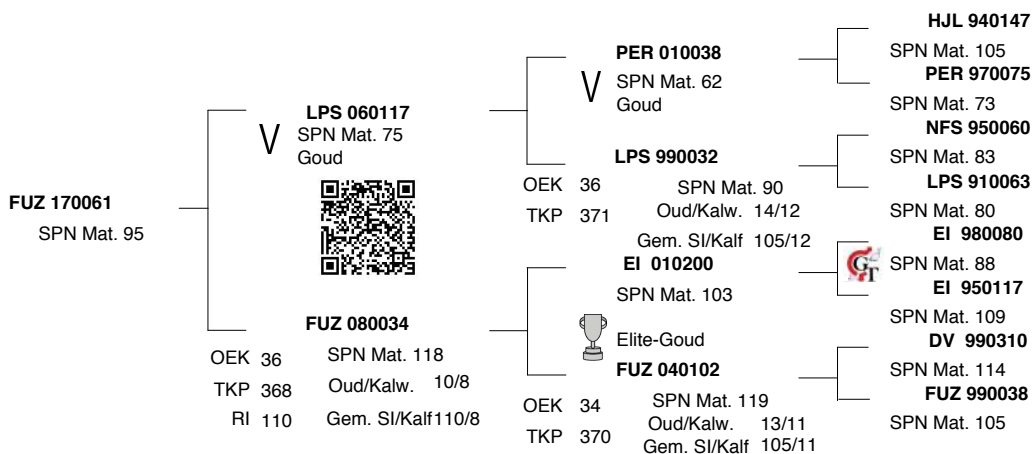
**Ouers:** Vader - LPS 060117

Moeder - FUZ 080034

**Skrotum:** 42cm

NOTAS:

DIRECT CALF TRAITS		DAUGHTER TRAITS			GROWTH		EFF.	REP	MEASUREMENTS			R:	
Progeny Birth Weight	Progeny Wean Weight	Ease of Calving	Milk prod.	Mature Weight	Post Wean Weight	Daily Gain	Feed Conv		Height & Length				
<b>Breeding Value Indexes</b>													
<b>Birth Dir</b>	<b>Wean Dir</b>	<b>Birth Mat</b>	<b>Wean Mat</b>	<b>Mat Wgt</b>	<b>Post Wean</b>	<b>ADG</b>	<b>FCR</b>	<b>SC</b>	<b>Hgt</b>	<b>Lgt</b>		<b>LHR</b>	
Acc	Acc	Acc	Acc	Acc	Acc	Acc	Acc	Acc	Acc	Acc		<b>BWR</b>	
												<b>WWR</b>	
Wgt kg	Wgt kg	Ind	kg	kg	kg	365d Ind	540d Ind	Ind	Ind	(mm)	(mm)	(mm)	
<b>78</b>	<b>123</b>	<b>104</b>	<b>95</b>	<b>132</b>	<b>126</b>	<b>127</b>	<b>116</b>	<b>118</b>	<b>115</b>	<b>117</b>		1.21	
3.37	23.8	-0.38	2.6	45.0	39.9	225	-81	24.1	14	38		-	
78	74	61	64	53	65	68	41	75	77	74			
37	297	<b>111</b>			-	<b>105</b>	-	375	1199	1449		51.1	



The Trusted Home of Agriculture  
Die Betroubare Tuiste van Landbou

Bulle

# HAYFIELD BONSMARAS

LOT 24



**FUZ 170115 | SP**

**Verkoper:** Fuz Bonsmaras

**Geboortedatum:** 2017-10-13

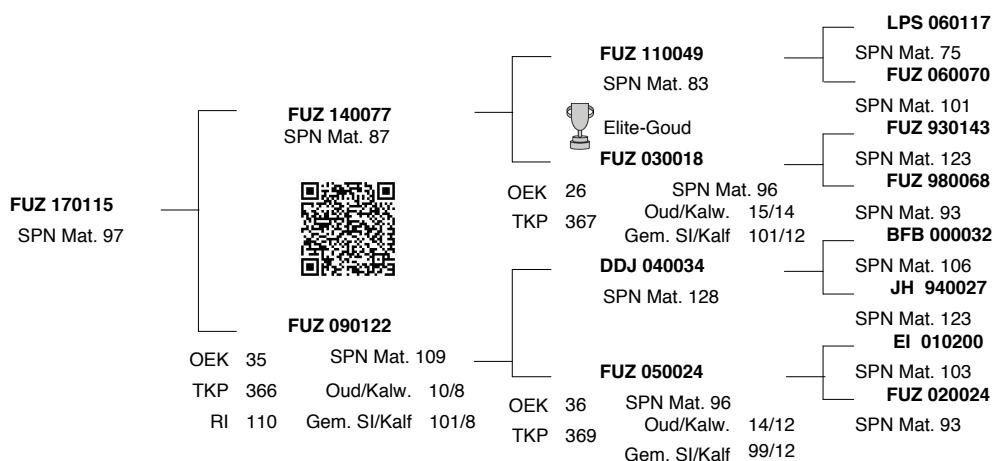
**Ouers:** Vader - FUZ 140077

Moeder - FUZ 090122

**Skrotum:** 38cm

NOTAS:

DIRECT CALF TRAITS			DAUGHTER TRAITS			GROWTH		EFF.	REP	MEASURE-MENTS			R:
Progeny Birth Weight	Progeny Wean Weight		Ease of Calving	Milk prod.	Mature Weight	Post Wean Weight	Daily Gain	Feed Conv		Height & Length			
Breeding Value Indexes													
Birth Dir	Wean Dir		Birth Mat	Wean Mat	Mat Wgt	Post Wean		ADG	FCR	SC	Hgt	Lgt	LHR
Acc	Acc		Acc	Acc	Acc	Acc		Acc	Acc	Acc	Acc	Acc	BWR
Wgt kg	Wgt kg	Ind	kg	kg	kg	365d Ind	540d Ind	Ind	Ind	(mm)	(mm)	(mm)	WWR
<b>98</b>	<b>109</b>		<b>101</b>	<b>97</b>	<b>116</b>	<b>115</b>		<b>114</b>	<b>110</b>	<b>91</b>	<b>107</b>	<b>110</b>	1.21
1.25	17.4		-0.25	3.1	28.0	32.2		163	-67	2.5	7	28	-
77	72		50	53	37	56		65	17	74	76	72	
32	269	<b>101</b>				-		<b>98</b>	-	317	1153	1391	46.1



The Trusted Home of Agriculture  
Die Betroubare Tuiste van Landbou

Bulle

# HAYFIELD BONSMARAS

LOT 25



**ABM 170006 | SP**

**Verkoper:** Mpola Trust

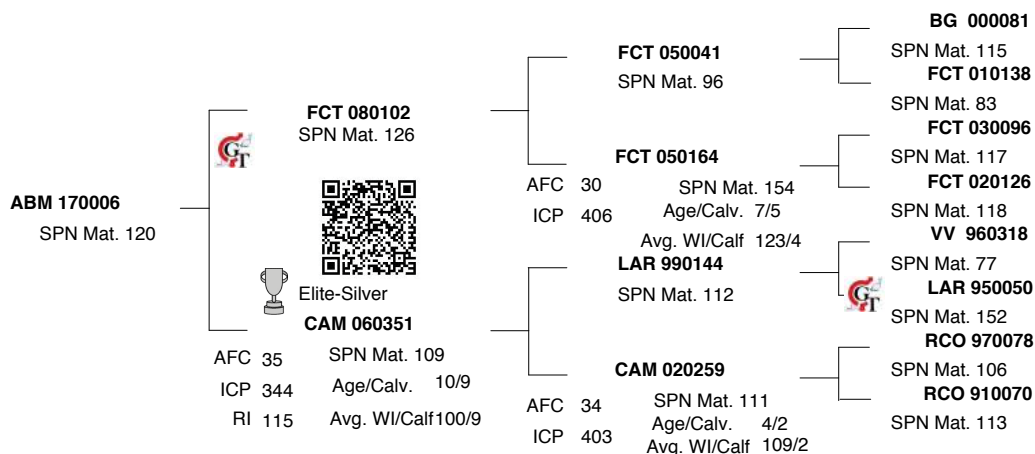
**Geboortedatum:** 2017-03-23

**Ouers:** Vader - FCT 0801

Moeder - CAM 060351

NOTAS:

DIRECT CALF TRAITS		DAUGHTER TRAITS			GROWTH		EFF.	REP	MEASURE-MENTS			R:
Progeny Birth Weight	Progeny Wean Weight	Ease of Calving	Milk prod.	Mature Weight	Post Wean Weight	Daily Gain	Feed Conv		Height & Length			
Breeding Value Indexes												
Birth Dir	Wean Dir	Birth Mat	Wean Mat	Mat Wgt	Post Wean	ADG	FCR	SC	Hgt	Lgt	LHR	
Acc	Acc	Acc	Acc	Acc	Acc	Acc	Acc	Acc	Acc	Acc	BWR	
Wgt kg	Wgt kg	Ind	kg	kg	kg	365d Ind	540d Ind	Ind	Ind	(mm)	(mm)	(mm)
<b>95</b>	<b>107</b>	<b>92</b>	<b>120</b>	<b>108</b>	<b>107</b>	<b>105</b>	<b>99</b>	<b>113</b>	<b>110</b>	<b>106</b>	1.18	
1.54	16.8	0.18	9.5	19.0	26.6	121	-44	19.9	10	23	-	
78	75	60	62	51	63	70	33	77	78	75	-	
38	197	<b>101</b>			-	<b>119</b>	-	373	1186	1402	38.6	



Bulle

# HAYFIELD BONSMARAS

## LOT 26



KLIK VIR VIDEO

**ABM 170037 | B**

**Verkoper:** Mpola Trust

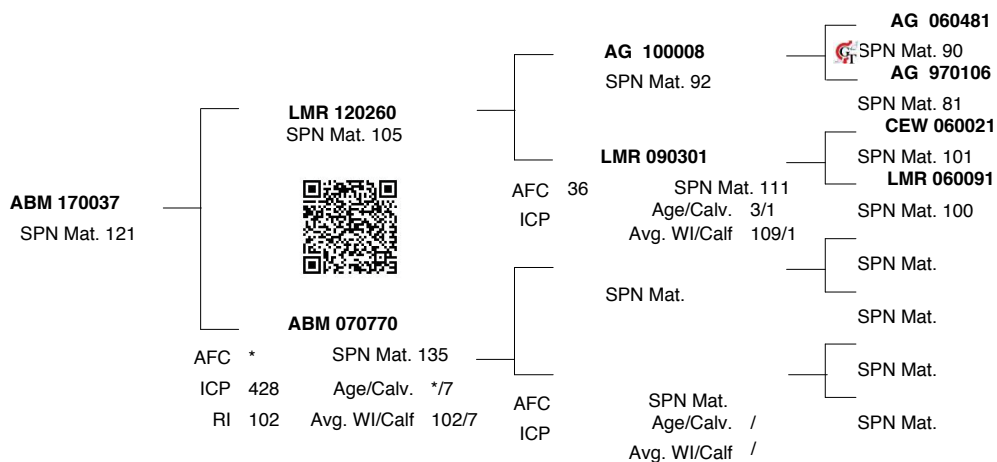
**Geboortedatum:** 2017-09-08

**Ouers:** Vader - LMR 120260

Moeder - ABM 070770

NOTAS:

DIRECT CALF TRAITS		DAUGHTER TRAITS			GROWTH		EFF.	REP	MEASURE- MENTS	R:	
Progeny Birth Weight	Progeny Wean Weight	Ease of Calving	Milk prod.	Mature Weight	Post Wean Weight	Daily Gain	Feed Conv	Height & Length			
Breeding Value Indexes											
Birth Dir	Wean Dir	Birth Mat	Wean Mat	Mat Wgt	Post Wean	ADG	FCR	SC	Hgt	Lgt	LHR
Acc	Acc	Acc	Acc	Acc	Acc	Acc	Acc	Acc	Acc	Acc	BWR
Wgt kg	Wgt kg	Ind	kg	kg	kg	Ind	Ind	(mm)	(mm)	(mm)	WWR
<b>73</b>	<b>126</b>	<b>80</b>	<b>121</b>	<b>116</b>	<b>137</b>	<b>136</b>	<b>114</b>	<b>112</b>	<b>131</b>	<b>135</b>	1.22
3.90	25.6	0.71	9.7	28.0	48.0	268	-76	19.4	28	63	-
75	71	49	54	27	54	64	18	73	74	71	-
46	295	<b>113</b>			-	<b>116</b>	-	340	1271	1553	41



The Trusted Home of Agriculture  
Die Betroubare Tuiste van Landbou

Bulle

# HAYFIELD BONSMARAS

LOT 27



**FUZ 170193 | SP**

**Verkoper:** Fuz Bonsmaras

**Geboortedatum:** 2017-11-21

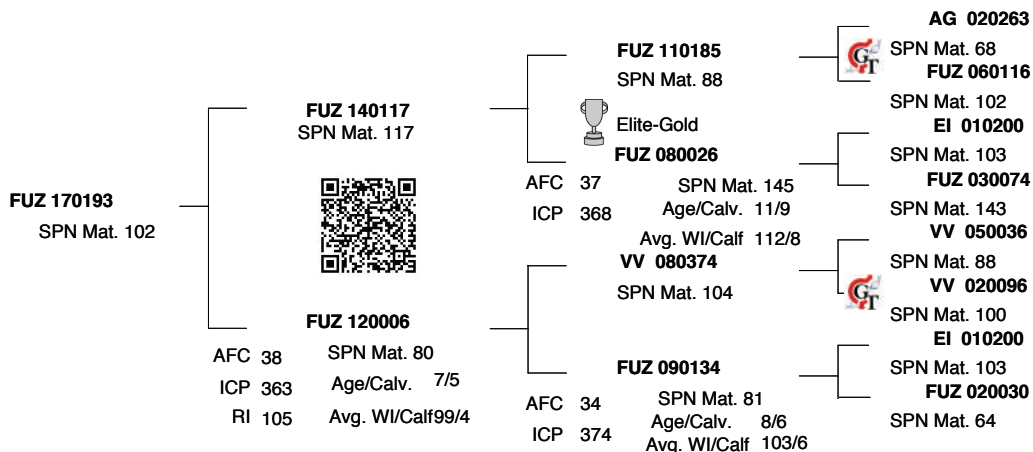
**Ouers:** Vader - FUZ 140117

Moeder - FUZ 120006

**Skrotum:** 44cm

NOTAS:

DIRECT CALF TRAITS			DAUGHTER TRAITS			GROWTH		EFF.	REP	MEASUREMENTS			R:
Progeny Birth Weight	Progeny Wean Weight		Ease of Calving	Milk prod.	Mature Weight	Post Wean Weight	Daily Gain	Feed Conv		Height & Length			
<b>Breeding Value Indexes</b>													
Birth Dir	Wean Dir		Birth Mat	Wean Mat	Mat Wgt	Post Wean	ADG	FCR	SC	Hgt	Lgt	LHR	
Acc	Acc		Acc	Acc	Acc	Acc	Acc	Acc	Acc	Acc	Acc	BWR	
Wgt kg	Wgt kg	Ind	kg	kg	kg	365d Ind	540d Ind	Ind	Ind	(mm)	(mm)	(mm)	WWR
<b>97</b>	<b>95</b>		<b>116</b>	<b>102</b>	<b>102</b>	<b>89</b>	<b>87</b>	<b>91</b>	<b>107</b>	<b>96</b>	<b>100</b>	1.19	
1.38	11.1		-0.93	4.5	12.0	14.3	35	-26	15.1	-2	14	-	
76	71		48	49	39	55	65	17	74	75	72		
41	247	<b>91</b>				-	<b>97</b>	-	355	1150	1373	41.5	



The Trusted Home of Agriculture  
Die Betroubare Tuiste van Landbou

Bulle

# HAYFIELD BONSMARAS

LOT 28



**FUZ 170057 | SP**

**Verkoper:** Fuz Bonsmaras

**Geboortedatum:** 2017-11-21

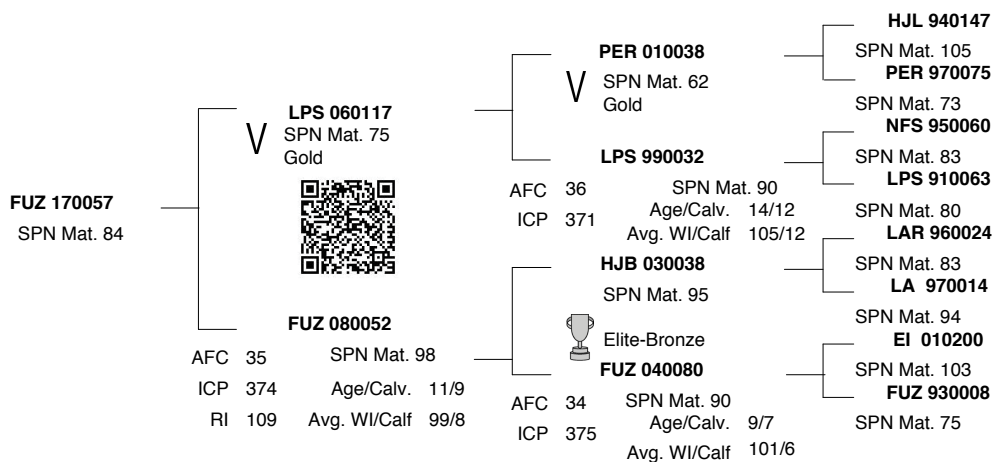
**Ouers:** Vader - LPS 060117

Moeder - FUZ 080052

**Skrotum:** 43cm

**NOTAS:** Kurweknakker

DIRECT CALF TRAITS		DAUGHTER TRAITS			GROWTH		EFF.	REP	MEASURE-MENTS			R:	
Progeny Birth Weight	Progeny Wean Weight	Ease of Calving	Milk prod.	Mature Weight	Post Wean Weight	Daily Gain	Feed Conv		Height & Length				
<b>Breeding Value Indexes</b>													
Birth Dir	Wean Dir	Birth Mat	Wean Mat	Mat Wgt	Post Wean	ADG	FCR	SC	Hgt	Lgt	LHR		
Acc	Acc	Acc	Acc	Acc	Acc	Acc	Acc	Acc	Acc	Acc	BWR		
Wgt kg	Wgt kg	Ind	kg	kg	kg	365d Ind	540d Ind	Ind	Ind	(mm)	(mm)	(mm)	
<b>110</b>	<b>106</b>	<b>94</b>	<b>84</b>	<b>116</b>	<b>114</b>	<b>130</b>	<b>118</b>	<b>109</b>	<b>109</b>	<b>109</b>	<b>1.2</b>		
-0.06	16.2	0.09	-0.7	28.0	31.5	237	-84	17.0	9	27	-		
78	74	61	63	51	64	69	40	76	77	75			
27	272	<b>105</b>			-	<b>116</b>	-	354	1208	1447	49.2		



Bulle

# HAYFIELD BONSMARAS

LOT 29



**ABM 170122 | SP**

**Verkoper:** Mpola Trust

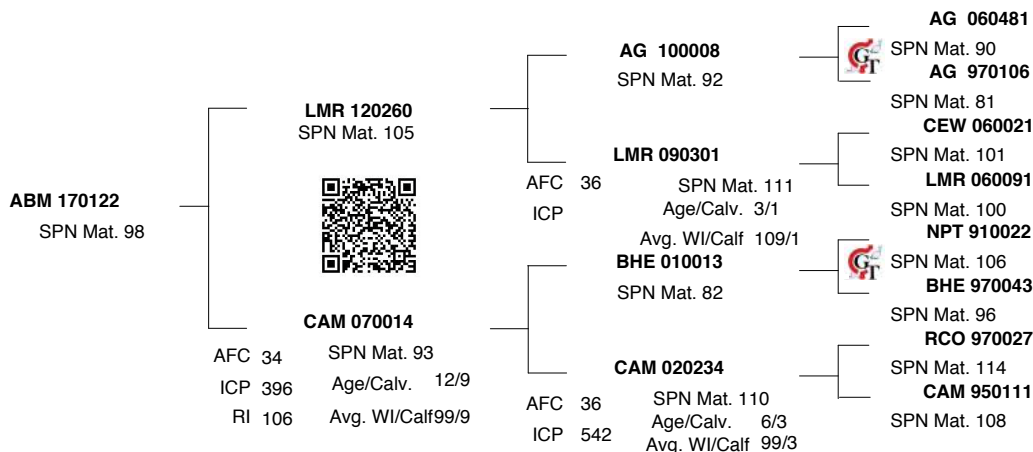
**Geboortedatum:** 2017-10-13

**Ouers:** Vader - LMR 120260

Moeder - CAM 070014

NOTAS:

DIRECT CALF TRAITS		DAUGHTER TRAITS			GROWTH		EFF.	REP	MEASUREMENTS			R:
Progeny Birth Weight	Progeny Wean Weight	Ease of Calving	Milk prod.	Mature Weight	Post Wean Weight	Daily Gain	Feed Conv		Height & Length			
Breeding Value Indexes												
Birth Dir	Wean Dir	Birth Mat	Wean Mat	Mat Wgt	Post Wean	ADG	FCR	SC	Hgt	Lgt	LHR	
Acc	Acc	Acc	Acc	Acc	Acc	Acc	Acc	Acc	Acc	Acc	BWR	
Wgt kg	Wgt kg	Ind	kg	kg	kg	365d Ind	540d Ind	Ind	Ind	(mm)	(mm)	WWR
<b>96</b>	<b>104</b>	<b>94</b>	<b>98</b>	<b>99</b>	<b>107</b>	<b>105</b>	<b>98</b>	<b>97</b>	<b>110</b>	<b>108</b>	1.17	
1.40	15.2	0.06	3.3	9.0	26.5	121	-42	7.6	10	25	-	
79	75		57	41	61	68	24	76	77	74		
39	264	<b>102</b>			-	<b>102</b>	-	322	1204	1405	55	



Bulle

# HAYFIELD BONSMARAS

## LOT 30



**ABM 170082 | SP**

**Verkoper:** Mpola Trust

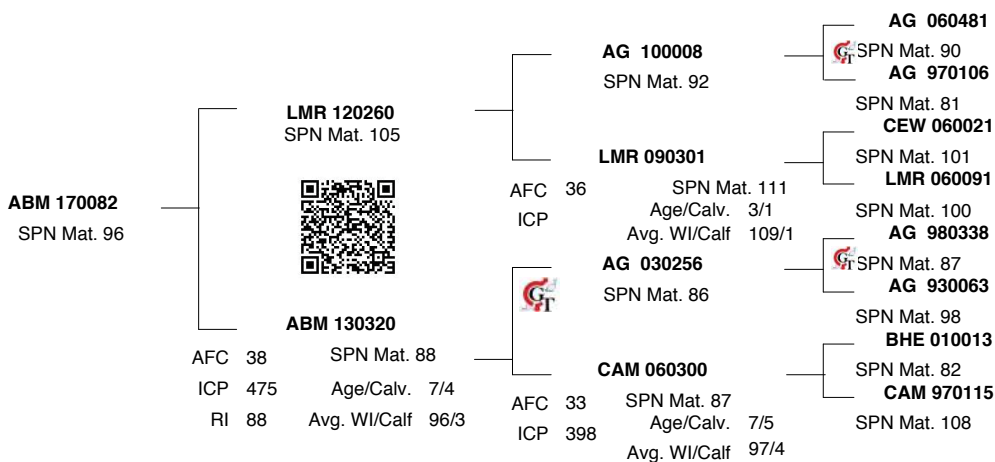
**Geboortedatum:** 2017-09-25

**Ouers:** Vader - LMR 120260

Moeder - ABM 130320

NOTAS:

DIRECT CALF TRAITS			DAUGHTER TRAITS			GROWTH		EFF.	REP	MEASUREMENTS	R:		
Progeny Birth Weight	Progeny Wean Weight		Ease of Calving	Milk prod.	Mature Weight	Post Wean Weight	Daily Gain	Feed Conv		Height & Length			
<b>Breeding Value Indexes</b>													
Birth Dir	Wean Dir		Birth Mat	Wean Mat	Mat Wgt	Post Wean	ADG	FCR	SC	Hgt	Lgt	LHR	
Acc	Acc		Acc	Acc	Acc	Acc	Acc	Acc	Acc	Acc	Acc	BWR	
Wgt kg	Wgt kg	Ind	kg	kg	kg	365d Ind	540d Ind	Ind	Ind	(mm)	(mm)	(mm)	WWR
<b>100</b>	<b>101</b>		<b>94</b>	<b>96</b>	<b>100</b>	<b>106</b>	<b>112</b>	<b>104</b>	<b>111</b>	<b>102</b>	<b>108</b>	1.21	
0.99	14.1		0.07	2.8	10.0	26.3	152	-54	18.7	3	26	-	
77	73		50	54	43	61	67	26	75	76	73		
36	251	<b>97</b>				-	<b>102</b>	-	365	1176	1425	52.3	



The Trusted Home of Agriculture  
Die Betroubare Tuiste van Landbou



Bulle

# HAYFIELD BONSMARAS

LOT 31



**FUZ 170027 | SP**

**Verkoper:** Fuz Bonsmaras

**Geboortedatum:** 2017-09-04

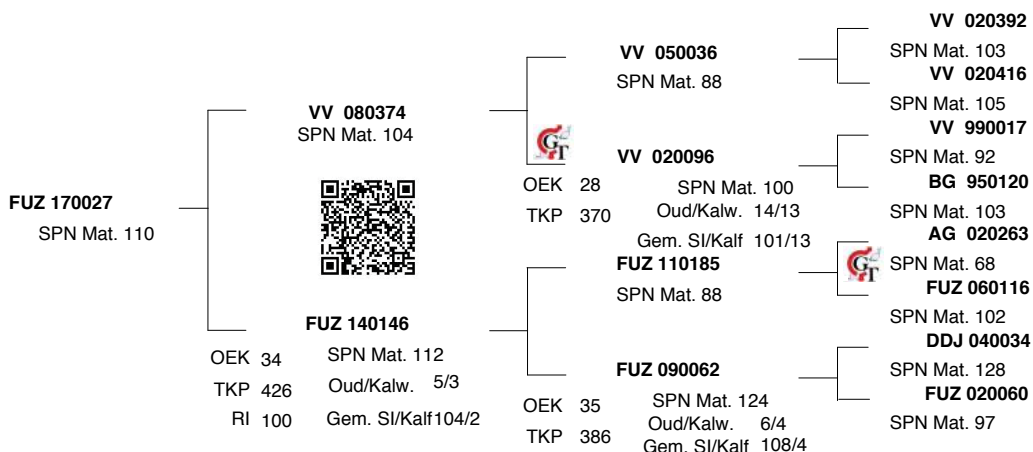
**Ouers:** Vader - VV 080374

Moeder - FUZ 140146

**Skrotum:** 39cm

NOTAS:

DIRECT CALF TRAITS		DAUGHTER TRAITS			GROWTH		EFF.	REP	MEASUREMENTS			R:
Progeny Birth Weight	Progeny Wean Weight	Ease of Calving	Milk prod.	Mature Weight	Post Wean Weight	Daily Gain	Feed Conv		Height & Length			
Breeding Value Indexes												
Birth Dir	Wean Dir	Birth Mat	Wean Mat	Mat Wgt	Post Wean	ADG	FCR	SC	Hgt	Lgt	LHR	
Acc	Acc	Acc	Acc	Acc	Acc	Acc	Acc	Acc	Acc	Acc	BWR	
Wgt kg	Wgt kg	Ind	kg	kg	kg	365d Ind	540d Ind	Ind	Ind	(mm)	(mm)	(mm)
<b>91</b>	<b>120</b>	<b>105</b>	<b>110</b>	<b>105</b>	<b>114</b>	<b>107</b>	<b>110</b>	<b>93</b>	<b>95</b>	<b>104</b>	1.22	
2.01	22.8	-0.43	6.6	16.0	31.4	130	-66	4.3	-3	20	-	
76	72	56	57	51	62	67	20	74	76	73		
42	283	<b>103</b>			-	<b>106</b>	-	323	1159	1416	54.4	



The Trusted Home of Agriculture  
Die Betroubare Tuiste van Landbou

Bulle

# HAYFIELD BONSMARAS

LOT 32



**FUZ 170147 | SP**

**Verkoper:** Fuz Bonsmaras

**Geboortedatum:** 2017-10-25

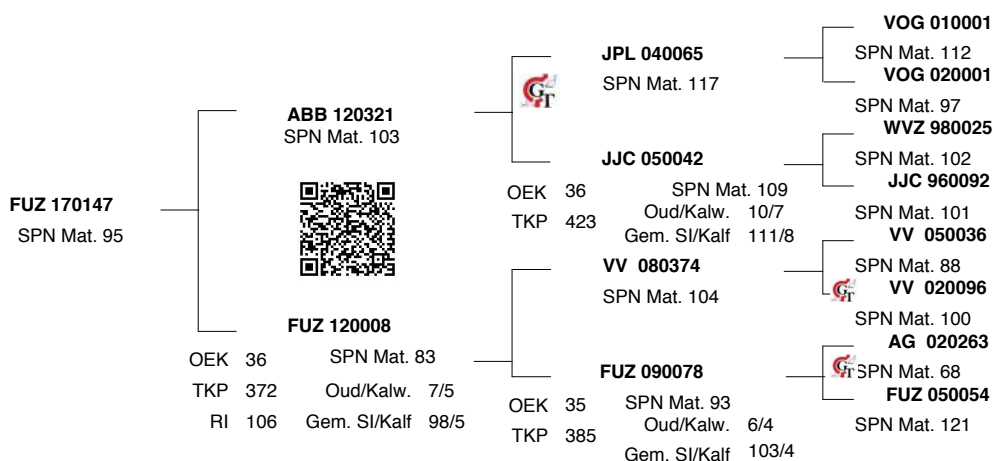
**Ouers:** Vader - ABB 120321

Moeder - FUZ 120008

**Skrotum:** 41cm

**NOTAS:** Kurweknakker

DIRECT CALF TRAITS			DAUGHTER TRAITS			GROWTH		EFF.	REP	MEASURE-MENTS	R:		
Progeny Birth Weight	Progeny Wean Weight		Ease of Calving	Milk prod.	Mature Weight	Post Wean Weight	Daily Gain	Feed Conv		Height & Length			
<b>Breeding Value Indexes</b>													
Birth Dir	Wean Dir		Birth Mat	Wean Mat	Mat Wgt	Post Wean	ADG	FCR	SC	Hgt	Lgt	LHR	
Acc	Acc		Acc	Acc	Acc	Acc	Acc	Acc	Acc	Acc	Acc	BWR	
Wgt kg	Wgt kg	Ind	kg	kg	kg	365d Ind	540d Ind	Ind	Ind	(mm)	(mm)	(mm)	WWR
<b>112</b>	<b>103</b>		<b>109</b>	<b>95</b>	<b>98</b>	<b>103</b>	<b>107</b>	<b>107</b>	<b>104</b>	<b>118</b>	<b>108</b>	1.17	
-0.29	15.0		-0.58	2.6	8.0	23.9	132	-61	13.0	16	25	-	
77	72		52	54	43	58	66	28	74	76	73		
35	253	<b>93</b>				-	<b>110</b>	-	346	1178	1378	43	



The Trusted Home of Agriculture  
Die Betroubare Tuiste van Landbou

Bulle

# HAYFIELD BONSMARAS

## LOT 33

**PER 150047 | SP**

**Verkoper:** Weiveld Bonsmara

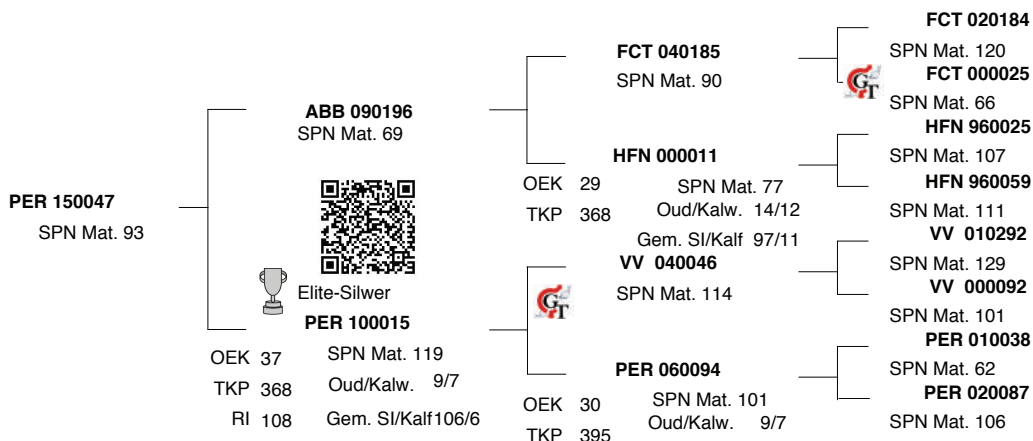
**Geboortedatum:** 2015-03-31

**Ouers:** Vader - ABB 090196

Moeder - PER 100015

**NOTAS:**

DIRECT CALF TRAITS			DAUGHTER TRAITS			GROWTH		EFF.	REP	MEASUREMENTS			R:
Progeny Birth Weight	Progeny Wean Weight		Ease of Calving	Milk prod.	Mature Weight	Post Wean Weight	Daily Gain	Feed Conv		Height & Length			
Breeding Value Indexes													
Birth Dir	Wean Dir		Birth Mat	Wean Mat	Mat Wgt	Post Wean	ADG	FCR	SC	Hgt	Lgt	LHR	
Acc	Acc		Acc	Acc	Acc	Acc	Acc	Acc	Acc	Acc	Acc	BWR	
Wgt kg	Wgt kg	Ind	kg	kg	kg	365d Ind	540d Ind	Ind	Ind	(mm)	(mm)	(mm)	WWR
<b>88</b>	<b>118</b>		<b>102</b>	<b>93</b>	<b>122</b>	<b>120</b>	<b>120</b>	<b>120</b>	<b>109</b>	<b>120</b>	<b>123</b>	1.19	
2.32	21.8		-0.29	2.0	35.0	35.6	190	-89	16.9	18	46	6.55	
87	81		61	64	57	66	69	74	76	77	74		
38	265	<b>106</b>				-	<b>96</b>	99	330	1215	1442	47.3	



Bulle

# HAYFIELD BONSMARAS

## LOT 34

**NFS 160263 | SP**

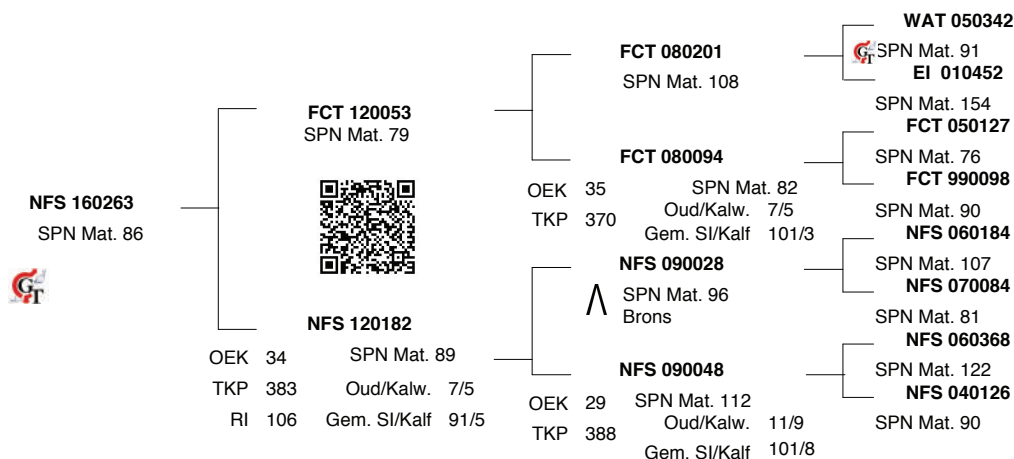
**Verkoper:** Weiveld Bonsmara

**Geboortedatum:** 2016-10-09

**Ouers:** Vader - FCT 120053  
Moeder - NFS 120182

**NOTAS:**

DIRECT CALF TRAITS			DAUGHTER TRAITS			GROWTH		EFF.	REP	MEASUREMENTS	R:		
Progeny Birth Weight	Progeny Wean Weight		Ease of Calving	Milk prod.	Mature Weight	Post Wean Weight	Daily Gain	Feed Conv		Height & Length			
Breeding Value Indexes													
Birth Dir	Wean Dir		Birth Mat	Wean Mat	Mat Wgt	Post Wean	ADG	FCR	SC	Hgt	Lgt	LHR	
Acc	Acc		Acc	Acc	Acc	Acc	Acc	Acc	Acc	Acc	Acc	BWR	
Wgt kg	Wgt kg	Ind	kg	kg	kg	365d Ind	540d Ind	Ind	Ind	(mm)	(mm)	(mm)	WWR
<b>92</b>	<b>109</b>		<b>84</b>	<b>86</b>	<b>117</b>	<b>113</b>	<b>99</b>	<b>89</b>	<b>130</b>	<b>119</b>	<b>115</b>	1.22	
1.87	17.4		0.56	-0.1	29.0	31.2	92	-23	34.2	17	36	5.45	
87	83		67	69	63	69	73	78	78	79	77		
36	241	<b>92</b>				-	<b>96</b>	93	384	1197	1459	31.6	



The Trusted Home of Agriculture  
Die Betroubare Tuiste van Landbou

Bulle

# HAYFIELD BONSMARAS

LOT 35



**FUZ 170163 | SP**

**Verkoper:** Fuz Bonsmaras

**Geboortedatum:** 2017-11-01

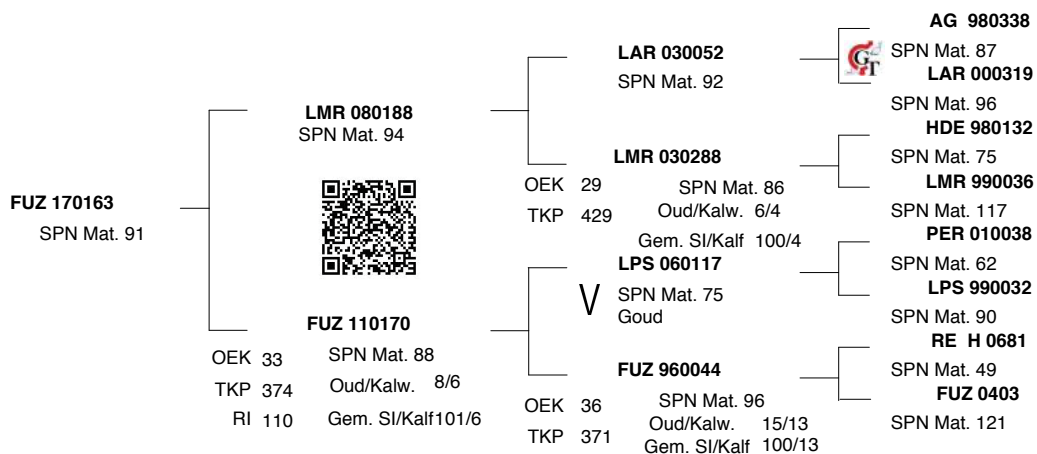
**Ouers:** Vader - LMR 080188

Moeder - FUZ 110170

**Skrotum:** 43cm

NOTAS:

DIRECT CALF TRAITS		DAUGHTER TRAITS			GROWTH		EFF.	REP	MEASUREMENTS			R:
Progeny Birth Weight	Progeny Wean Weight	Ease of Calving	Milk prod.	Mature Weight	Post Wean Weight	Daily Gain	Feed Conv		Height & Length			
Breeding Value Indexes												
Birth Dir	Wean Dir	Birth Mat	Wean Mat	Mat Wgt	Post Wean	ADG	FCR	SC	Hgt	Lgt	LHR	
Acc	Acc	Acc	Acc	Acc	Acc	Acc	Acc	Acc	Acc	Acc	BWR	
Wgt kg	Wgt kg	Ind	kg	kg	kg	365d Ind	540d Ind	Ind	Ind	(mm)	(mm)	(mm)
<b>86</b>	<b>107</b>	<b>87</b>	<b>91</b>	<b>114</b>	<b>109</b>	<b>104</b>	<b>94</b>	<b>111</b>	<b>107</b>	<b>113</b>	1.18	
2.47	16.5	0.39	1.2	26.0	28.3	117	-33	18.5	7	32	-	
77	73	58	60	45	64	68	30	75	77	74		
39	256	<b>96</b>			-	<b>98</b>	-	338	1191	1402	40.3	



The Trusted Home of Agriculture  
Die Betroubare Tuiste van Landbou

Bulle

# HAYFIELD BONSMARAS

LOT 36



**FUZ 170107 | SP**

**Verkoper:** Fuz Bonsmaras

**Geboortedatum:** 2017-10-10

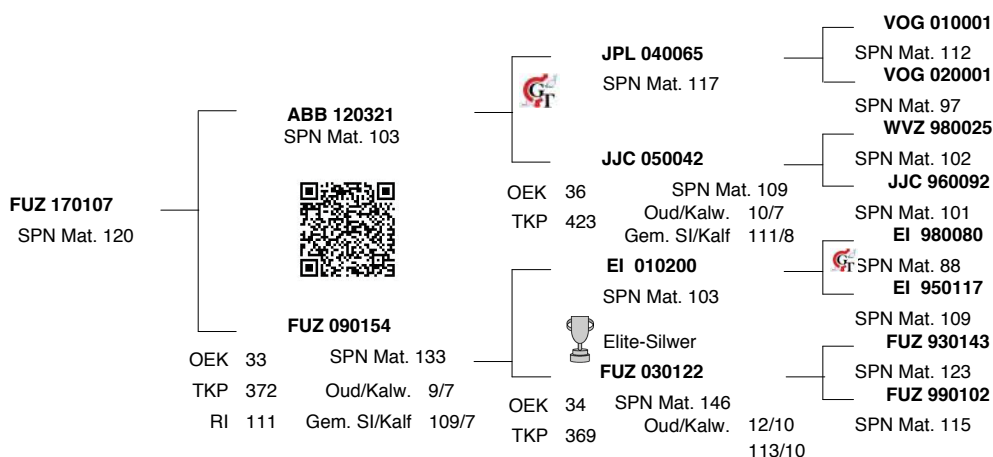
**Ouers:** Vader - ABB 120321

Moeder - FUZ 090154

**Skrotum:** 40cm

NOTAS:

DIRECT CALF TRAITS		DAUGHTER TRAITS			GROWTH		EFF.	REP	MEASURE-MENTS			R:
Progeny Birth Weight	Progeny Wean Weight	Ease of Calving	Milk prod.	Mature Weight	Post Wean Weight	Daily Gain	Feed Conv		Height & Length			
Breeding Value Indexes												
Birth Dir	Wean Dir	Birth Mat	Wean Mat	Mat Wgt	Post Wean	ADG	FCR	SC	Hgt	Lgt	LHR	
Acc	Acc	Acc	Acc	Acc	Acc	Acc	Acc	Acc	Acc	Acc	BWR	
Wgt kg	Wgt kg	Ind	kg	kg	kg	365d Ind	540d Ind	Ind	Ind	(mm)	(mm)	(mm)
<b>101</b>	<b>100</b>	<b>96</b>	<b>120</b>	<b>114</b>	<b>101</b>	<b>108</b>	<b>101</b>	<b>100</b>	<b>130</b>	<b>121</b>	1.2	
0.94	13.4	-0.02	9.5	26.0	22.8	135	-49	9.4	27	44	-	
77	73		56	43	60	67	30	75	76	73		
38	275	<b>101</b>			-	<b>106</b>	-	343	1235	1476	47.8	



Bulle

# HAYFIELD BONSMARAS

LOT 37



**FUZ 170195 | SP**

**Verkoper:** Fuz Bonsmaras

**Geboortedatum:** 2017-11-24

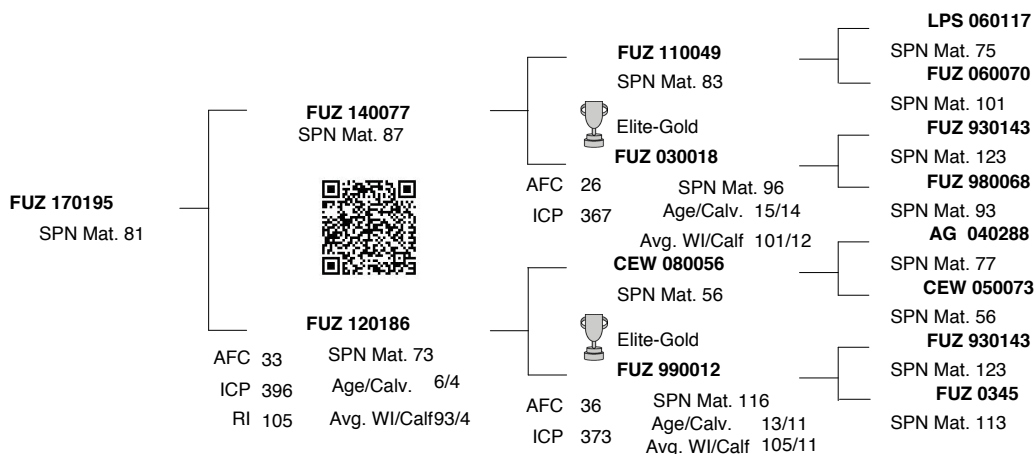
**Ouers:** Vader - FUZ 140077

Moeder - FUZ 120186

**Skrotum:** 40cm

NOTAS:

DIRECT CALF TRAITS		DAUGHTER TRAITS			GROWTH		EFF.	REP	MEASURE-MENTS			R:
Progeny Birth Weight	Progeny Wean Weight	Ease of Calving	Milk prod.	Mature Weight	Post Wean Weight	Daily Gain	Feed Conv		Height & Length			
Breeding Value Indexes												
Birth Dir	Wean Dir	Birth Mat	Wean Mat	Mat Wgt	Post Wean	ADG	FCR	SC	Hgt	Lgt	LHR	
Acc	Acc	Acc	Acc	Acc	Acc	Acc	Acc	Acc	Acc	Acc	BWR	
Wgt kg	Wgt kg	Ind	kg	kg	kg	365d Ind	540d Ind	Ind	Ind	(mm)	(mm)	(mm)
<b>83</b>	<b>117</b>	<b>93</b>	<b>81</b>	<b>117</b>	<b>118</b>	<b>115</b>	<b>106</b>	<b>95</b>	<b>123</b>	<b>118</b>	1.18	
2.85	21.3	0.14	-1.5	28.0	34.3	167	-59	5.4	21	39	-	
76	71	48	50	37	56	65	16	74	75	72		
39	245	<b>91</b>			-	<b>98</b>	-	319	1182	1394	43.8	



The Trusted Home of Agriculture  
Die Betroubare Tuiste van Landbou