

GLEN GLYDE BONSMARA

33rd Annual Production Sale at Glen Roy (Komga)

Route: From Komga- travel on the R63 - Turn left on the N2 towards Kei Bridge - Farm is on the right (GPS: 32°33'23.1"S, 27°58'22.2"E)

Thursday | 16 September 2021 | 12h00

On offer by live & Simulcast auction 29 Bulls & 60 Females

18 Heifers in calf (Calving Autumn), 6 Young Cows in calf (Calving Summer) 6 Young Cows in calf (Calving Autumn), 30 Open Heifers (Mateable in Autumn)



BONSMARA
SA

Free transport to central points

BKB
RIVERVIEW

ENQUIRIES: Tony Burger (BKB): 082 456 9143 | Norton Thompson 082 781 2473

Patrick Renton 083 235 4059 | AUCTIONEER: Brandon Leer: 082 570 5863

AUCTIONEERS: PO Box 333, Alexandria, 6185 | Tel: 082 743 8342 | Email: ilze.fouche@bkb.co.za | Reg. No 1998/012435/06

For more details, catalogue and conditions of sale please visit our website www.bkb.co.za



BKB

RIVERVIEW

**AND THOMPSON FARMING
WELCOME YOU TO OUR
33rd ANNUAL GLEN GLYDE BONSMARA
PRODUCTION SALE**

16 SEPTEMBER 2021

We would like to thank our sponsors for their continued support

McCORMICK Agri cc

A & J TYRES

EPOL / MOLATEK

EAST CAPE MOTORS - FORD (E.L)

CHARTERIS & BARNES

INTEGRITY INSURANCE BROKERS

VIRBAC ANIMAL HEALTH

DUMISK CROP CARE

BKB- CO OP KOMGA

PROVIDENT ANIMAL HEALTH

RAYNER AGENCIES

EXPRESS FUEL

KOMGA PACKAGING

KARAN BEEF

SALES UNDER AUSPICES OF BONSMARA SA

Bonsmara stud breeding is subject to the stipulations of the Livestock Improvement Act and conforms to the standards of Bonsmara SA. The Society therefore has the right to implement certain controls to ensure the accuracy of information regarding Parentage, Performance and Estimated Breeding Values.

Information regarding Parentage, Performance and Estimated Breeding Values of animals, as supplied by the breeder, have been verified and compared to the official database of LOGIX BEEF. Bonsmara SA therefore, confirms the accuracy of such information.

To the knowledge of the Society these controls have been carried out accurately. However, the Society does not take any responsibility for incorrect information through printing errors or incorrect information provided by the breeder.

Animals on such sales have been visually screened by Inspectors of Bonsmara SA and comply with the Bonsmara Minimum Breed Standards as stipulated by the Society.

The Society DOES NOT have any control over:

- Immunization and health status of animals
- Pregnancy status of cows and heifers
- Suitability of a bull for breeding
- Fertility status as well as venereal diseases and
- Commercial animals

Since the above is not classified as information regarding Parentage, Performance and Estimated Breeding Values, it DOES NOT fall within the jurisdiction of the meaning "Under the Auspices of Bonsmara SA".



VEILINGS ONDER BESKERMING VAN BONSMARA SA

Bonsmara stoetteling wat onderhewig is aan die bepalings van die Veeverbeteringswet, vind plaas onder die vaandel van Bonsmara SA. Daarom behou die Genootskap hom die reg voor om kontroles volgens bepaalde prosedures uit te oefen ten opsigte van Ouerskap inligting, Prestasiedata en Beraamde Teelwaardes.

Ouerskap inligting, Prestasiedata en Beraamde Teelwaardes soos deur die teler voorsien vir die doel van hierdie katalogus, is gekontroleer en vergelyk met die amptelike databasis soos gehou deur LOGIX BEEF. Bonsmara SA bevestig dus die korrektheid van sodanige inligting.

Alhoewel die kontroles na die beste wete van die Genootskap gedoen is, kan die Genootskap egter nie verantwoordelik gehou word vir foutiewe inligting as gevolg van drukkersfoute of verkeerde inligting deur die telers verskaf nie.

Diere wat op hierdie veilings aangebied word, is onderwerp aan 'n proses van visuele inspeksie deur Keurders van Bonsmara SA en voldoen aan die Bonsmara Minimum Rasstandaarde soos bepaal deur die Genootskap.

Die Genootskap het egter GEEN beheer oor:

- Immunisering en gezondheidstatus van diere
- Dragtigheidsstatus van koeie en verse
- Teelgeskiktheid van bulle
- Vrugbaarheidstatus, asook geslagsiektes en
- Kommersiële diere nie.

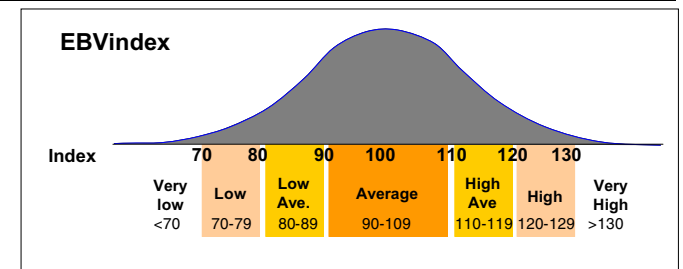
Aangesien bogenoemde nie val onder die bedoeling met Ouerskap inligting, Prestasiedata en Beraamde Teelwaardes nie, sorteer dit NIE onder die jurisdiksie van die bedoeling "Onder beskerming van Bonsmara SA" nie.



Trait	EBV Index	Description/measurement	Objective	General guidelines for Breeding Value Indices						
				80	90	100	110	120		
Calf growth (Direct)	Birth weight	Birth weight (Birth direct)	Easy calving	Heavy						Light
	Weaning weight	Weaning weight (Weaning)weight direc	Heavy weaner calves	Light						Heavy
Mothering ability (Maternal)	Birth mat.	Birth weight of cow's/daughters (Birth maternal)	Easy calving	Heavy						Light
	Milk	Milk production of cow/daughters (Weaning weight maternal)	Heavy weaner calves	Low						High
Growth & efficiency	Post-wean weight	Combination of 12- and 18 month weights	Above average post-wean growth	Light						Heavy
	Mature weight	Combination of mature weights between 2 and 5 years old of cows at the weaning of their calves	Mature animals of average size	Light						Heavy
	ADG	Average daily gain as measured in growth tests	Good growth and adaptability	Low						High
	FCR	g feed consumed per 100g weight gain in growth tests	Good conversion of feed to meat	High (Poor)						Low (good)
Fertility	Scrotal circumference	Scrotal circumference of bulls in growth tests (bull fertility)	Fertile bulls	Small						Big
	AFC	Age at first calving, as well as how early in the breeding season the heifer calves (heifer fertility)	Fertile heifers	Late calving						Early calving
	ICP	Combination of the first 3 intercalving periods of cows (cow fertility)	Fertile cows	Long						Short
Frame	Height	Shoulder height of bulls in post-wean growth tests	Mature animals of average size	Low						High
	Length	Length between shoulder and hip of bulls in growth tests	Slightly longer for more meat	Short						Long
Carcass	Dressing %	Estimated from final weight and ultrasonic measurements of eye muscle area and skin thickness	Better meat to bone ratio	Low						High
	Meat yield	Estimated from final weight and ultrasonic measurements of eye muscle area and skin thickness	More meat on carcass	Low						High
	Marbling	Ultrasonic measurement of intermuscular fat at the end of post-wean growth tests	Juicy meat	Low						High
Selection values (Rand)	Growth value	Combination of intake, growth and weight traits	Profitable meat production	Loss						Profit
	Cow value	Combination of fertility, calving ease, growth, milk and cow weight	Profitable cows	Loss						Profit
	Production value	Combination of cow value (80%) and growth value (20%).	Profitable production	Loss						Profit

Notes:

- In general dark is desirable, medium is less desirable and white is undesirable.
- The ideal animal does not exist. Even if an animal has undesirable breeding values for certain traits, it might still have desirable breeding values for other traits. Each herd's circumstances are also unique. It is mainly determined by the environment and production system as well as the genetic level of the herd (especially the females).
- Although the general desirability of breeding values are indicated in the table, each breeder should consider his unique situation and decide which animals will be most suitable. Sometimes animals in the undesirable range should be considered, especially for corrective mating.
- The lowest breeding values are most desirable for the traits Birth Weights, Feed Conversion Ratio (FCR), Age at 1st calving and InterCalvingPeriod (ICP) when selecting on BREEDING VALUES (EBVs), but if selecting on EBV Indices, the highest values are most desirable.



EXPLANATION OF ABBREVIATIONS IN CATALOGUE

VERDUIDELIKING VAN AFKORTINGS IN KATALOGUS

Calf traits	DIRECT CALF TRAITS	DIREKTE KALF EIENSKAPPE	Kalf eienskappe
Daughter traits	DAUGHTER TRAITS	DOGTER EIENSKAPPE	Dogter eienskappe
Growth traits	GROWTH	GROEI	Groei eienskappe
Efficiency traits	EFF	DOEL	Doeltreffendheids eienskappe
Reproduction traits	REPRODUCTION	REPRODUKSIE	Reproduksie eienskappe
Body measurements	MEASURE	MATES	Liggaamsmates
Lot number	Lot	Lot	Lotnommer
Ratio	R:	V:	Verhouding
Identification number	ID	ID	Identifikasienommer
Generation/Section of Herdbook	Gen	Gen	Generasie/Afdeling van kuddeboek
Weight in kilogram	Wgt kg	Gew kg	Gewig in kilogram
Index	Ind	Ind	Indeks
Accuracy of breeding value	Acc	Akk	Akkuraatheid van teelwaarde
Birth direct (kg)	Birth Dir	Geb Dir	Geboorte direk (kg)
Birth maternal (kg)	Birth Mat	Geb Mat	Geboorte maternaal (kg)
Wean direct (kg)	Wean Dir	Speen Dir	Speen direk (kg)
Wean maternal (kg)	Wean Mat	Speen Mat	Speen maternaal (kg)
Mature weight (kg)	Mature Wgt	Volw Gew	Volwasse gewig (kg)
365 Days (kg)	365d	365d	365 Dae (kg)
540 Days (kg)	540d	540d	540 Dae (kg)
Average daily gain (g/day)	ADG	GDT	Gemiddelde daaglikse toename (g/dag)
Feed conversion ratio	FCR	VOV	Voeromsetverhouding
Scrotal circumference (mm)	SC	SO	Skrotum omvang (mm)
Age First Calving	AFC	OEK	Ouderdom Eerste Kalwing
Inter Calving Period	ICP	TKP	Tussen Kalf Periode
Height (mm)	Hgt	Hgt	Hoogte (mm)
Length (mm)	Lgt	Lgt	Lengte (mm)
Length : Height ratio	LHR	HLV	Lengte : Hoogte verhouding
Birth weight : Cow weight ratio	BWR	GGV	Geboortegewig : Koeigewig verhouding
Wean weight : Cow weight ratio	WWR	SGV	Speengewig : Koeigewig verhouding
Age in years and months / Number of calvings	Age / Calv	Oud / Kalw	Ouderdom in jare en maande / Aantal kalwings
Average Wean index / Number of calves	Ave WI / Calf	Gem SI / Kalf	Gemiddelde Speenindeks / Aantal kalwers
Reproduction index	R.I.	R.I.	Reproduksie Indeks
Polled	Polled	Poena	Poena
Post Wean 365 days & Post Wean 540 days	PW365 & PW540	NS365 & NS540	Naspeen 365 dae & Naspeen 540 dae
Growth test & Growth test group	GT & GTg	GT & GTg	Groei Toets & Groeitoets groep
Central test	CT	ST	Sentrale toets
Parentage Verification	PV	OV	Ouerskap Verifikasie
Sire Verification	SV	VV	Vaderskap Verifikasie
Dam Verification	DV	MV	Moederskap Verifikasie
Genomically Tested	GT	GT	Genomies Getoets
Homozygous Polled (Celtic Test)	PP(c)	PP(c)	Homosigoties Poena (Celtic Toets)
Heterozygous Polled (Celtic Test)	Pp(c)	Pp(c)	Heterosigoties Poena (Celtic Toets)



SA STAMBOEK
STUD BOOK

Teelwaardes

saamgestel deur S.A. Stamboek en Diereverbeteringsvereniging



BONSMARA
SA

NP Thompson - GLENGLYDE

VEILING DATUM: 16/09/2021

DATA SOOS OP: 09/09/2021

LOT.	NR./GESLAG	VAAR	VAN DIER	GEN	GEBORTE		GROEITEMPO				DOELT	REPRODUKSIE	LIGGAAMSMATES		Verhoudings		WERKLIKE SYFERS					MOER			
					DIREK	MAT.	DIREK	MAT.	NASPEEN GEWIG	VOLW. GEWIG	GDT	VOER OMSET	SKR	HGTE	LENGTE	SGV	GGV	L/H	G.M.	S.I.	GDT.I	SC	G.S.	Kalw	R.I.
1	NPT 19 21/M	JOY 12 20	SP	1.70	0.63	22	8.9	41.3	22	301	-102	28.1	28	45	39.4	5.76	1.14	38	105	103	354	109	5	95	
2	NPT 19 32/M	NPT 16 50	SP	2.38	0.24	18	5.5	31.1	6	185	-64	15.4	7	25	48.3	7.99	1.19	43	96	108	337	96	7	115	
3	NPT 19 47/M	JOY 12 20	SP	0.40	0.27	15	6.3	22.0	7	142	-58	6	0	14	46.8	6.01	1.17	36	108	91	334	109	9	106	
4	NPT 19 34/M	NPT 16 50	SP	3.58	0.71	26	6.1	40.9	15	264	-89	26	20	37	42.7	7.51	1.15	48	99	117	356	106	7	104	
5	NPT 19 40/M	NPT 16 99	SP	1.98	0.07	22	4.2	35.4	17	204	-75	28.6	14	23	47.1	7.22	1.14	40	99	109	392	101	5	101	
6	NPT 19 35/M	JOY 12 20	SP	0.44	0.87	19	6.2	35.8	12	257	-78	21.7	11	39	43.5	5.79	1.21	37	105	106	346	102	7	103	
7	NPT 19 41/M	NPT 16 50	SP	1.19	0.89	18	4.1	28.8	6	191	-71	13.3	6	24	46.2	7.43	1.18	40	96	92	337	99	8	109	
8	NPT 19 86/M	NPT 16 50	SP	2.94	-0.18	26	4.1	42.1	3	287	-99	19.9	17	42	65.5	9.21	1.2	42	105	109	338	99	3	100	
9	NPT 19 66/M	CEF 16 380	SP	3.26	-0.24	29	6.7	49.1	44	287	-95	29.3	13	46	53.2	7.78	1.2	42	106	116	346	108	2	96	
10	NPT 19 132/M	NPT 16 50	SP	0.72	0.54	18	4.2	31.7	17	232	-81	24.5	8	27	42.9	6.86	1.18	35	97	121	360	91	3	102	
11	NPT 19 68/M	CEF 16 380	SP	1.04	-0.74	18	1.5	31.2	9	165	-56	32.9	8	33	55.4	7.37	1.19	35	94	105	375	94	2	87	
12	NPT 19 163/M	CEF 16 380	SP	0.37	-0.83	15	8.6	25.9	24	105	-26	32.9	-2	37	46.7	6.83	1.25	36	102	90	368	111	6	107	
13	NPT 19 33/M	JOY 12 20	SP	3.51	1.12	22	4.8	37.4	32	175	-57	20.7	13	36	42	7.34	1.21	48	104	92	360	101	4	101	
14	NPT 19 20/M	JOY 12 20	SP	1.66	0.58	17	8.7	33.2	7	233	-87	24.6	13	30	49.1	6.78	1.21	41	113	111	370	103	8	106	
15	NPT 19 100/M	CEF 16 380	SP	0.08	-0.70	17	1.7	34.0	21	183	-62	21.7	4	29	66.1	-	1.19	36	102	121	354	99	5	107	
16	NPT 19 74/M	JOY 16 103	SP	1.53	0.06	19	8.1	29.6	23	167	-67	21.5	8	31	59.4	7.24	1.18	38	105	90	354	105	2	88	
17	NPT 19 96/M	CEF 16 380	SP	0.91	-0.70	19	-0.4	29.2	30	130	-43	13.9	10	37	49.8	6.42	1.19	37	102	95	325	90	3	102	
18	NPT 19 92/M	NPT 16 50	SP	2.81	0.61	27	6.9	47.0	19	334	-96	33.4	23	58	59.2	7.77	1.23	40	110	125	362	101	3	98	
19	NPT 19 117/M	NPT 15 112	SP	1.62	0.06	20	2.7	31.6	12	164	-61	18.6	13	36	53.3	9.41	1.19	40	106	97	346	94	3	101	
20	NPT 19 118/M	NPT 16 50	SP	0.41	-0.16	19	2.5	31.4	13	240	-81	24.2	12	29	49.4	7.49	1.17	34	101	110	354	94	3	101	
21	NPT 19 69/M	CEF 16 380	SP	1.67	-0.39	17	4.0	29.9	6	170	-53	25.3	9	39	65.9	9.38	1.21	38	93	97	352	93	2	88	
22	NPT 19 147/M	CEF 16 380	SP	-0.67	-0.61	18	3.2	36.3	16	242	-81	28.5	13	42	50.9	6.88	1.16	32	101	112	355	101	5	104	
23	NPT 19 138/M	AJF 15 507	SP	1.18	-0.44	24	5.2	33.3	16	165	-64	26.8	13	41	48.4	7.44	-	38	111	-	-	106	8	113	
23	NPT 19 125/M	AJF 15 507	SP	1.54	-0.08	17	2.4	25.1	6	98	-54	10.4	1	19	45.6	8.17	1.18	42	96	90	325	94	6	107	
24	NPT 19 94/M	CEF 16 380	SP	-0.71	-0.54	14	4.6	27.6	25	183	-52	23.3	9	43	48.8	5.85	1.24	33	101	114	344	100	6	108	
25	NPT 19 144/M	AJF 15 507	SP	1.04	-0.67	17	1.0	22.9	5	54	-36	16.5	-2	20	56.1	9.42	1.2	39	99	90	362	96	5	104	
26	NPT 19 158/M	AJF 15 507	SP	-0.31	-1.11	14	4.6	20.8	9	96	-63	5.1	-4	10	46.9	6.6	1.14	33	101	97	332	102	5	105	



SA STAMBOEK
STUD BOOK

Teelwaardes

saamgestel deur S.A. Stamboek en Diereverbeteringsvereniging



BONSMARA
SA

NP Thompson - GLENGLYDE

VEILING DATUM: 16/09/2021
DATA SOOS OP: 09/09/2021

LOT.	NR./GESLAG	VAN DIER	GEN	GEBORTE		GROEITEMPO					DOELT	REPRODUKSIE	LIGGAAMSMATES		Verhoudings		WERKLIKE SYFERS					MOER		
				DIREK	MAT.	SPEEN GEWIG KG	NASPEEN GEWIG	VOLW. GEWIG	GDT	VOER OMSET	SKR	HGTE	LENGTE	SGV	GGV	L/H	G.M.	S.I.	GDT.I	SC	G.S.	Kalw	R.I.	
				(KG)	(KG)	(KG)	(KG)	(G/DAG)	(G/KG)	(MM)	(MM)	(MM)	(MM)	(MM)	(MM)	(MM)	(MM)	(MM)	(MM)	(MM)	(MM)	(MM)	(MM)	
27	NPT 19 137/M	AJF 15 507	SP	0.82	-0.45	19	4.7	28.1	10	143	-68	25.6	13	30	48	7.58	1.16	38	99	97	368	104	6	107
28	NPT 19 105/M	JOY 16 103	SP	1.38	-0.20	17	10.9	31.0	15	209	-75	21.4	0	23	67.8	7.14	1.18	35	117	114	349	117	2	89

AANBOD GEMIDDELD:	1.33	-0.05	19	4.90	32.5	15.41	193	-69	22.07	10	33	51.19	7.38	1.19	38	103	104	352	101	5	102
--------------------------	------	-------	----	------	------	-------	-----	-----	-------	----	----	-------	------	------	----	-----	-----	-----	-----	---	-----

RAS GEMIDDELD:	1.04	-0.20	14	3.90	22.3	10.00	97	-47	9.90	1	14	08/2021: SA Stamboek										
-----------------------	------	-------	----	------	------	-------	----	-----	------	---	----	-----------------------------	--	--	--	--	--	--	--	--	--	--

Lot	Seller	ID POLLED Gen	PARENTS		Test Genomic Tested DNA Birth Date	DIRECT CALF TRAITS		DAUGHTER TRAITS			GROWTH		EFF. Feed Conv	REP	MEASURE-MENTS			R:	Breeder Own Remarks
			SIRE GV PV	DAM GV PV		Progeny Birth Weight	Progeny Wean Weight	Ease of Calving	Milk prod.	Mature Weight	Post Wean Weight	Daily Gain			Height & Length				
Breeding Value Indexes																			
						Birth Dir	Wean Dir	Birth Mat	Wean Mat	Mat Wgt	Post Wean	ADG	FCR	SC	Hgt	Lgt	LHR	Semen Users	
					Acc	Acc	Acc	Acc	Acc	Acc	Acc	Acc	Acc	Acc	Acc	Acc	BWR		
					Wgt kg	Wgt kg	Ind	kg	kg	kg	365d Ind	540d Ind	Ind	Ind	(mm)	(mm)	(mm)		WWW

BULLS

1	N.P. THOMPSON	NPT 190021 SP	JOY 120020	GT	94	118	82	118	111	127	143	126	122	132	121	1.14	
					1.70	21.8	0.63	8.9	22.0	41.3	301	-102	28.1	28	45	5.76	
			NPT 120215		77	73	56	59	49	64	67	12	75	76	73		
				18.03.19	38	228	105			-	103	-	354	1246	1415	39.4	
2	N.P. THOMPSON	NPT 190032 SP	NPT 160050	GT	87	111	90	106	96	113	119	108	107	107	107	1.19	
					2.38	18.4	0.24	5.5	6.0	31.1	185	-64	15.4	7	25	7.99	
			NPT 110165		76	72	49	53	40	60	66	11	74	76	73		
				23.03.19	43	216	96			-	108	-	337	1168	1387	48.3	
3	N.P. THOMPSON	NPT 190047 SP	JOY 120020	GT	106	102	90	108	97	100	110	105	95	99	100	1.17	
					0.40	14.8	0.27	6.3	7.0	22.0	142	-58	6.0	0	14	6.01	
			NPT 070141		78	74	58	61	49	65	68	11	75	77	74		
				06.04.19	36	231	108			-	91	-	334	1184	1385	46.8	
4	N.P. THOMPSON	NPT 190034 SP	NPT 160050	GT	76	126	80	108	105	126	136	120	120	122	116	1.15	
					3.58	25.5	0.71	6.1	15.0	40.9	264	-89	26.0	20	37	7.51	
			NPT 090143		76	72	50	54	42	58	66	15	75	76	73		
				26.03.19	48	227	99			-	117	-	356	1219	1399	42.7	
5	N.P. THOMPSON	NPT 190040 SP	NPT 160099	GT	91	118	94	101	107	119	123	113	123	115	106	1.14	
					1.98	21.7	0.07	4.2	17.0	35.4	204	-75	28.6	14	23	7.22	
			NPT 130214		75	70	47	50	39	58	63	9	72	74	71		
				29.03.19	40	219	99			-	109	-	392	1200	1371	47.1	
6	N.P. THOMPSON	NPT 190035 SP	JOY 120020	GT	106	112	77	108	102	119	134	115	115	112	118	1.21	
					0.44	19.2	0.87	6.2	12.0	35.8	257	-78	21.7	11	39	5.79	
			NPT 110204		77	74	57	60	49	64	68	10	75	76	74		
				26.03.19	37	227	105			-	106	-	346	1189	1439	43.5	

BONSMARA CATTLE BREEDERS' SOCIETY OF SA


Compiled by the South African Stud Book and Livestock Improvement Association

Auction Date: 16/09/2021
Data as on 09/09/2021 08:16:04

Lot 1

NPT 190021
SPN Mat. 118

JOY 120020
SPN Mat. 101



NPT 120215
AFC 34 SPN Mat. 134
ICP 465 Age/Calv. 8/5
RI 95 Avg. WI/Calf 109/5

LAR 040377
SPN Mat. 114

JOY 050126
AFC 30 SPN Mat. 89
ICP 364 Age/Calv. 11/10
Avg. WI/Calf 98/10

NPT 060118
SPN Mat. 135


NPT 070255
AFC 35 SPN Mat. 96
ICP 367 Age/Calv. 9/7
Avg. WI/Calf 99/7

LAR 020101
SPN Mat. 89
LAR 000167
SPN Mat. 118
GCD 020102
SPN Mat. 63
JOY 990062
SPN Mat. 87
RAI 020060
SPN Mat. 132
NPT 980150
SPN Mat. 102
CEF 010375
SPN Mat. 101
NPT 020234
SPN Mat. 94

Lot 2

NPT 190032
SPN Mat. 106

NPT 160050
SPN Mat. 103



NPT 110165
AFC 29 SPN Mat. 106
ICP 366 Age/Calv. 8/7
RI 115 Avg. WI/Calf 96/6

JOY 120020
SPN Mat. 101

NPT 070295
AFC 35 SPN Mat. 105
ICP 453 Age/Calv. 10/7
Avg. WI/Calf 102/7

JRP 070067
SPN Mat. 100


NPT 040225
AFC 34 SPN Mat. 105
ICP 438 Age/Calv. 9/6
Avg. WI/Calf 96/4

LAR 040377
SPN Mat. 114
JOY 050126
SPN Mat. 89
NPT 010066
SPN Mat. 102
NPT 030134
SPN Mat. 106
LAR 050008
SPN Mat. 93
JRP 030043
SPN Mat. 102
NPT 990154
SPN Mat. 130
NPT 950245
SPN Mat. 82

Lot 3

NPT 190047
SPN Mat. 108

JOY 120020
SPN Mat. 101



Elite-Gold

NPT 070141
AFC 36 SPN Mat. 120
ICP 389 Age/Calv. 12/9
RI 106 Avg. WI/Calf 109/9

LAR 040377
SPN Mat. 114

JOY 050126
AFC 30 SPN Mat. 89
ICP 364 Age/Calv. 11/10
Avg. WI/Calf 98/10

STI 010084
SPN Mat. 81


NPT 970043
AFC 31 SPN Mat. 120
ICP 472 Age/Calv. 12/8
Avg. WI/Calf 109/8

LAR 020101
SPN Mat. 89
LAR 000167
SPN Mat. 118
GCD 020102
SPN Mat. 63
JOY 990062
SPN Mat. 87
STI 980115
SPN Mat. 104
STI 980059
SPN Mat. 90
TOR 910103
SPN Mat. 99
NPT L 0165
SPN Mat. 94

Lot 4

NPT 190034
SPN Mat. 108

NPT 160050
SPN Mat. 103



Elite-Silver

NPT 090143
AFC 30 SPN Mat. 106
ICP 426 Age/Calv. 9/7
RI 104 Avg. WI/Calf 106/7

JOY 120020
SPN Mat. 101

NPT 070295
AFC 35 SPN Mat. 105
ICP 453 Age/Calv. 10/7
Avg. WI/Calf 102/7

JRP 050020
SPN Mat. 115


NPT 000046
AFC 30 SPN Mat. 97
ICP 427 Age/Calv. 10/7
Avg. WI/Calf 108/7

LAR 040377
SPN Mat. 114
JOY 050126
SPN Mat. 89
NPT 010066
SPN Mat. 102
NPT 030134
SPN Mat. 106
AG 980338
SPN Mat. 87
JRP 970046
SPN Mat. 97
LAR 960018
SPN Mat. 112
NPT 910184
SPN Mat. 69

Lot 5

NPT 190040
SPN Mat. 101

NPT 160099
SPN Mat. 114



NPT 130214
AFC 35 SPN Mat. 88
ICP 408 Age/Calv. 7/5
RI 101 Avg. WI/Calf 101/4

JOY 120020
SPN Mat. 101

NPT 110116
AFC 30 SPN Mat. 128
ICP 432 Age/Calv. 8/6
Avg. WI/Calf 111/5

NPT 100045
SPN Mat. 88


NPT 090037
AFC 31 SPN Mat. 78
ICP 366 Age/Calv. 6/4
Avg. WI/Calf 94/3

LAR 040377
SPN Mat. 114
JOY 050126
SPN Mat. 89
JRP 070067
SPN Mat. 100
NPT 030134
SPN Mat. 106
NPT 060011
SPN Mat. 95
NPT 070138
SPN Mat. 105
KVB 040101
SPN Mat. 69
NPT 040027
SPN Mat. 97

Lot 6

NPT 190035
SPN Mat. 108

JOY 120020
SPN Mat. 101



Elite-Silver

NPT 110204
AFC 34 SPN Mat. 116
ICP 412 Age/Calv. 10/7
RI 103 Avg. WI/Calf 102/6

LAR 040377
SPN Mat. 114

JOY 050126
AFC 30 SPN Mat. 89
ICP 364 Age/Calv. 11/10
Avg. WI/Calf 98/10

NPT 060118
SPN Mat. 135

NPT 050112
AFC 30 SPN Mat. 69
ICP 417 Age/Calv. 7/5
Avg. WI/Calf 91/4

LAR 020101
SPN Mat. 89
LAR 000167
SPN Mat. 118
GCD 020102
SPN Mat. 63
JOY 990062
SPN Mat. 87
RAI 020060
SPN Mat. 132
NPT 980150
SPN Mat. 102
NPT 020017
SPN Mat. 88
NPT 950084
SPN Mat. 74

Lot	Verkoper	ID POENA Gen	OUERS VADER GV OV MOEDER GV OV	Toets Genomies Getoets DNS Geb. dat.	Teelwaarde indekse											LHV GGV SGV	Semen Gebruikers	Gebruiker Eie Opmerkings		
					DIREKTE KALF EIENSKAPPE		DOGTER EIENSKAPPE			GROEI		DOEL	REP	MATES					V:	
						Nageslag Geboorte- gewig	Nageslag Speengewig	Gemak van Kalwing	Melk prod.	Volwas- se Gewig	Naspeen- gewig	Daaglikse Toename	Voer- omset	Hoogte & Lengte						
						Geb Dir	Speen Dir	Geb Mat	Speen Mat	Volw Gew	Naspeen	GDT	VOV	SO	Hgt	Lgt				
						Gew kg	Gew kg	Ind	kg	kg	kg	365d Ind	540d Ind	Ind	Ind	(mm)	(mm)	(mm)		

BULLE

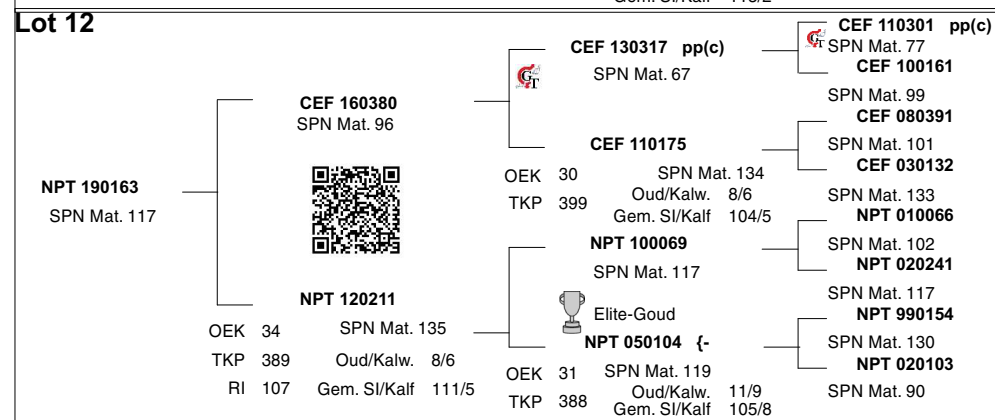
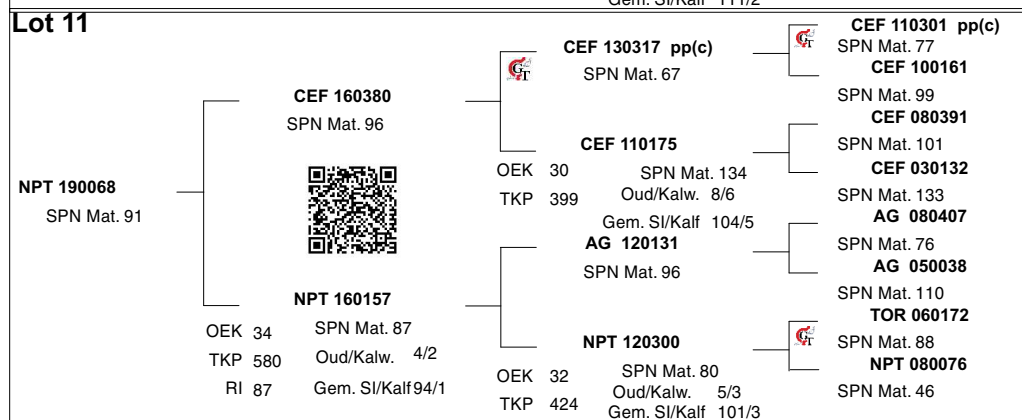
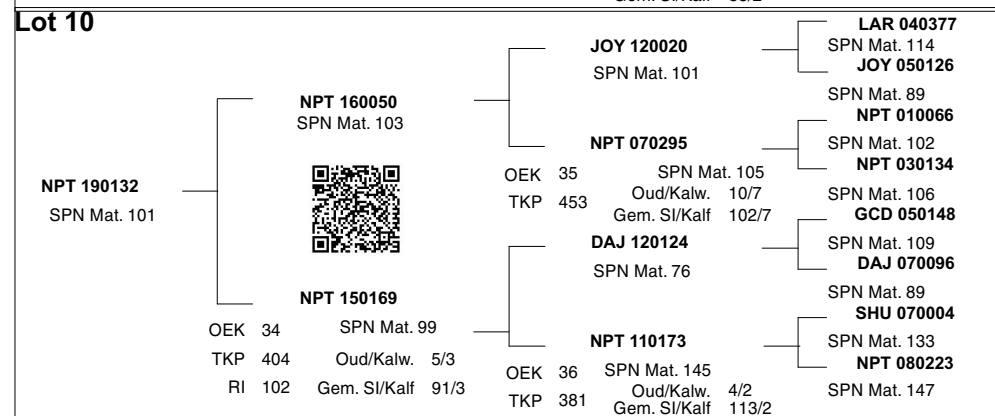
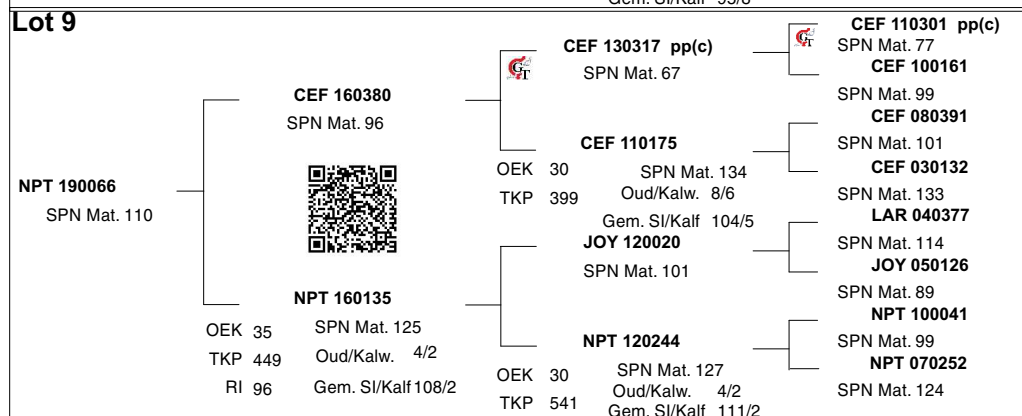
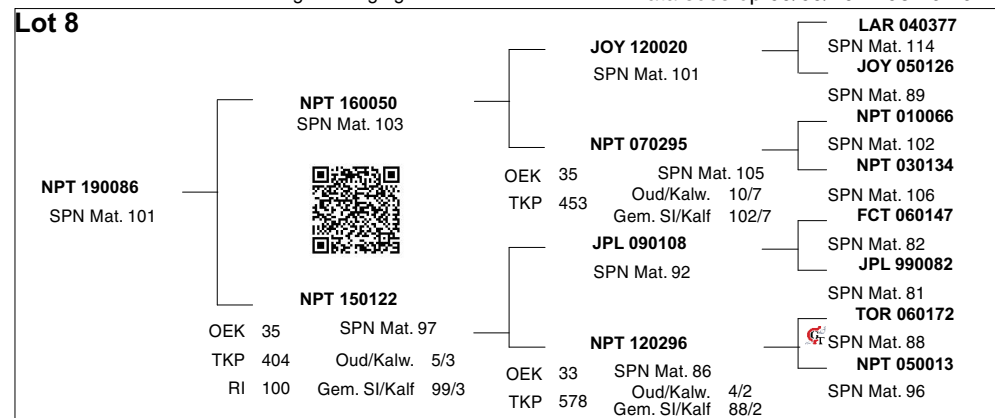
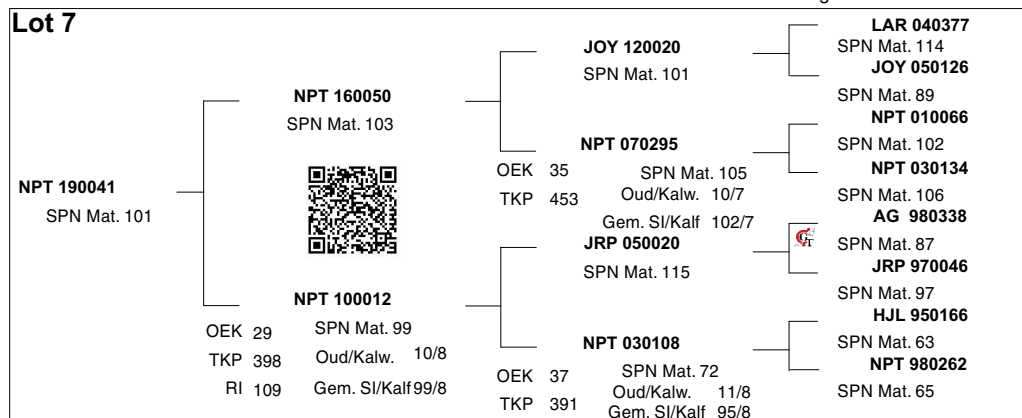
7	N.P. THOMPSON	NPT 190041 SP	NPT 160050	GT	99	109	76	101	96	109	120	111	104	106	107	1.18		
			NPT 100012		1.19 77	17.7 73	0.89 50	4.1 54	6.0 40	28.8 60	191 65	-71 17	13.3 74	6 75	24 72	7.43		
				29.03.19	40	214	96						92		337	1190	1401	46.2
8	N.P. THOMPSON	NPT 190086 SP	NPT 160050	GT	82	127	100	101	94	128	140	124	112	119	120	1.2		
			NPT 150122		2.94 75	25.9 71	-0.18 45	4.1 50	3.0 39	42.1 58	287 66	-99 12	19.9 74	17 76	42 73	9.21		
				18.09.19	42	312	105						109		338	1167	1396	65.5
9	N.P. THOMPSON	NPT 190066 SP	CEF 160380	GT	79	133	101	110	130	138	141	122	124	113	122	1.2		
			NPT 160135		3.26 76	28.6 71	-0.24 44	6.7 50	44.0 41	49.1 60	287 66	-95 19	29.3 74	13 76	46 73	7.78		
				18.08.19	42	314	106						116		346	1153	1379	53.2
10	N.P. THOMPSON	NPT 190132 SP	NPT 160050	GT	103	110	84	101	106	113	129	116	118	108	109	1.18		
			NPT 150169		0.72 75	18.1 71	0.54 45	4.2 49	17.0 39	31.7 56	232 65	-81 10	24.5 73	8 75	27 72	6.86		
				03.11.19	35	257	97						121		360	1123	1321	42.9
11	N.P. THOMPSON	NPT 190068 SP	CEF 160380	GT	100	110	112	91	100	113	115	104	128	108	113	1.19		
			NPT 160157		1.04 76	18.3 71	-0.74 43	1.5 47	9.0 38	31.2 60	165 66	-56 20	32.9 74	8 75	33 72	7.37		
				20.08.19	35	277	94						105		375	1144	1360	55.4
12	N.P. THOMPSON	NPT 190163 SP	CEF 160380	GT	106	104	114	117	112	105	102	90	128	96	116	1.25		
			NPT 120211		0.37 77	15.3 73	-0.83 48	8.6 53	24.0 38	25.9 60	105 67	-26 20	32.9 75	-2 76	37 73	6.83		
				27.11.19	36	269	102						90		368	1084	1354	46.7

BONSMARA BEESTELERSGENOOTSAP VAN SA

Saamgestel deur die Suid-Afrikaanse Stamboek- en Veeverbeteringsvereniging

Veilingsdatum: 16/09/2021

Data soos op 09/09/2021 08:16:26



Lot	Seller	ID POLLED Gen	PARENTS		Test Genomic Tested DNA Birth Date	DIRECT CALF TRAITS		DAUGHTER TRAITS			GROWTH		EFF. Feed Conv	REP	MEASURE-MENTS			R:	Breeder Own Remarks	
			SIRE GV PV	DAM GV PV		Progeny Birth Weight	Progeny Wean Weight	Ease of Calving	Milk prod.	Mature Weight	Post Wean Weight	Daily Gain			Post Wean	ADG	FCR			SC
						Birth Dir	Wean Dir	Birth Mat	Wean Mat	Mat Wgt	365d Ind	540d Ind	Ind	Ind	(mm)	(mm)	(mm)			
						Wgt kg	Wgt kg Ind	kg	kg	kg										

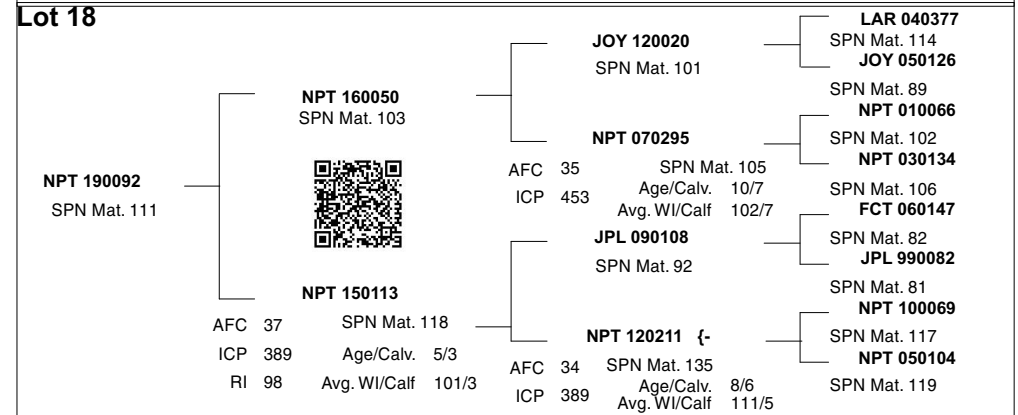
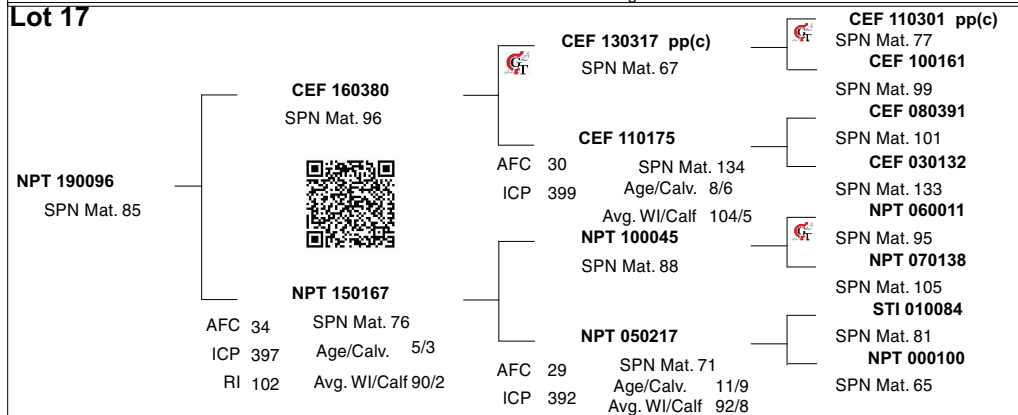
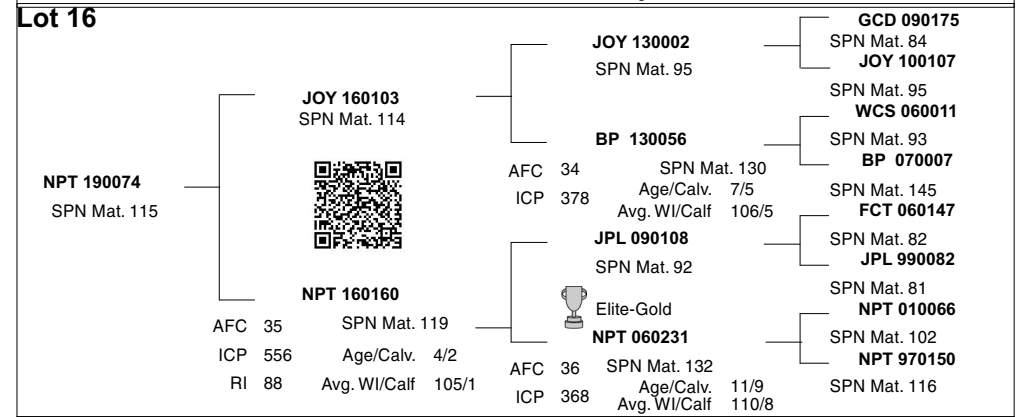
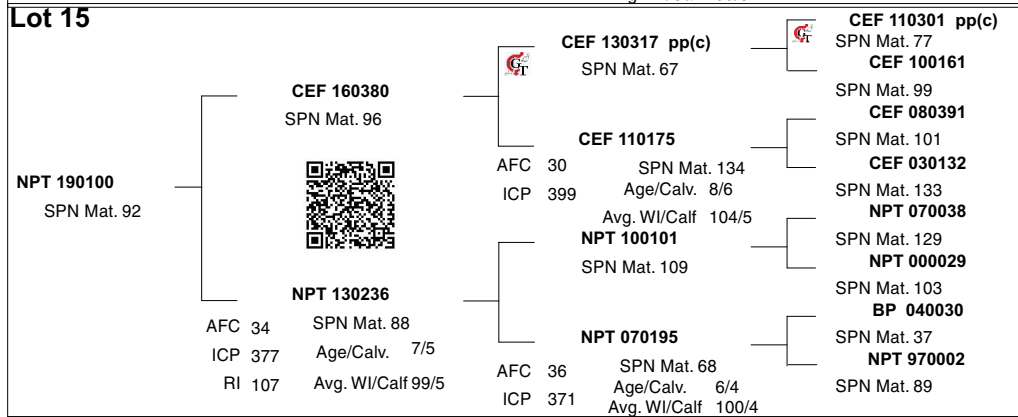
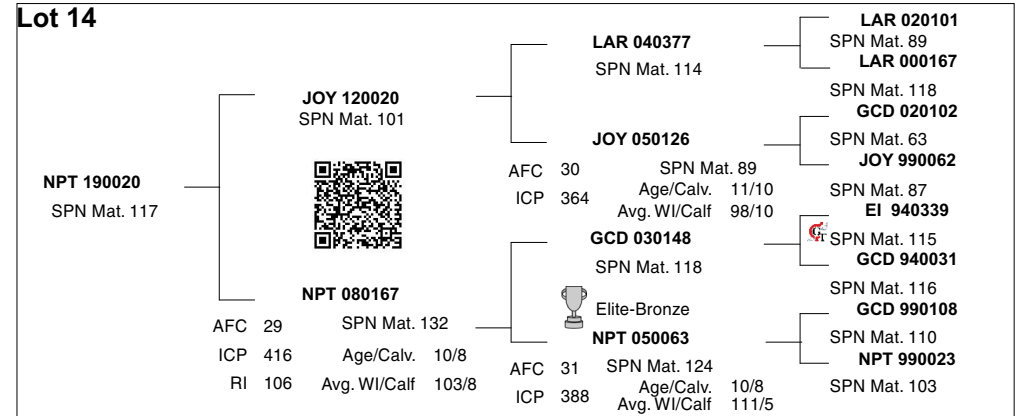
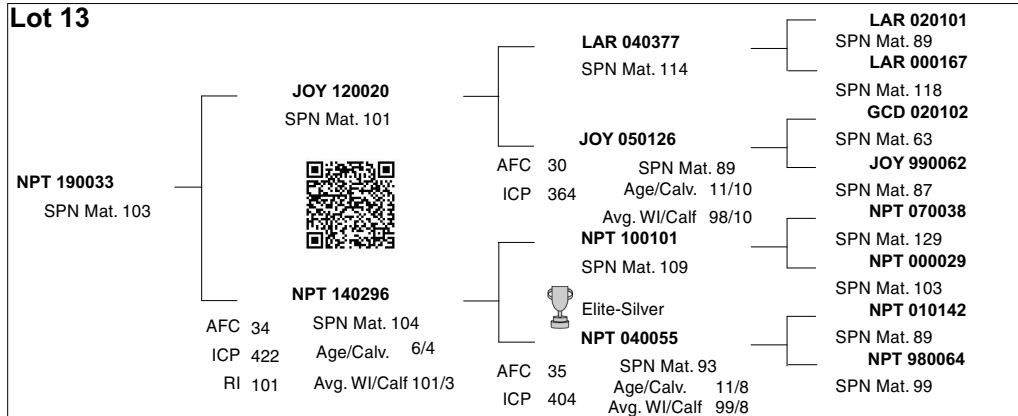
BULLS

13	N.P. THOMPSON	NPT 190033 SP	JOY 120020	GT	76	118	71	103	119	121	117	105	113	114	116	1.21		
					3.51	21.9	1.12	4.8	32.0	37.4	175	-57	20.7	13	36	7.34		
			NPT 140296		77	72	54	57	47	63	67	11	75	76	73			
				24.03.19	48	235	104				92	-	360	1178	1428	42		
14	N.P. THOMPSON	NPT 190020 SP	JOY 120020	GT	94	108	83	117	98	115	129	118	118	114	111	1.21		
					1.66	17.4	0.58	8.7	7.0	33.2	233	-87	24.6	13	30	6.78		
			NPT 080167		78	74	58	61	50	64	69	14	76	77	75			
				18.03.19	41	244	113				111	-	370	1186	1435	49.1		
15	N.P. THOMPSON	NPT 190100 SP	CEF 160380	GT	109	106	111	92	110	117	118	107	115	103	110	1.19		
					0.08	16.6	-0.70	1.7	21.0	34.0	183	-62	21.7	4	29	-		
			NPT 130236		77	73	47	53	41	60	66	20	74	75	72			
				11.10.19	36	298	102				121	-	354	1147	1369	66.1		
16	N.P. THOMPSON	NPT 190074 SP	JOY 160103	GT	95	112	94	115	111	110	115	110	114	108	112	1.18		
					1.53	18.9	0.06	8.1	23.0	29.6	167	-67	21.5	8	31	7.24		
			NPT 160160		75	69	43	46	36	59	62	14	72	74	70			
				06.09.19	38	307	105				90	-	354	1161	1370	59.4		
17	N.P. THOMPSON	NPT 190096 SP	CEF 160380	GT	101	111	111	85	117	110	107	98	105	111	116	1.19		
					0.91	18.8	-0.70	-0.4	30.0	29.2	130	-43	13.9	10	37	6.42		
			NPT 150167		76	72	46	50	39	58	66	20	74	76	73			
				29.09.19	37	300	102				95	-	325	1182	1412	49.8		
18	N.P. THOMPSON	NPT 190092 SP	NPT 160050	GT	83	128	82	111	108	135	150	123	129	127	131	1.23		
					2.81	26.5	0.61	6.9	19.0	47.0	334	-96	33.4	23	58	7.77		
			NPT 150113		75	70	46	49	39	58	65	12	74	75	72			
				24.09.19	40	323	110				125	-	362	1190	1459	59.2		

BONSMARA CATTLE BREEDERS' SOCIETY OF SA

Compiled by the South African Stud Book and Livestock Improvement Association

Auction Date: 16/09/2021
Data as on 09/09/2021 08:16:39



Lot	Verkoper	ID POENA Gen	OUERS VADER GV OV MOEDER GV OV	Toets Genomies Getoets DNS Geb. dat.	Teelwaarde indekse												LHV GGV SGV	Semen Gebruikers	Gebruiker Eie Opmerkings
					DIREKTE KALF EIENSKAPPE			DOGTER EIENSKAPPE			GROEI		DOEL	REP	MATES				
						Nageslag Geboortegewig	Nageslag Speengewig	Gemak van Kalwing	Melk prod.	Volwas-se Gewig	Naspeen-gewig	Daaglikse Toename	Voer-omset		Hoogte & Lengte				
						Geb Dir	Speen Dir	Geb Mat	Speen Mat	Volw Gew	Naspeen	GDT	VOV	SO	Hgt	Lgt			
						Gew kg	Gew kg	kg	kg	kg	365d Ind	540d Ind	Ind	Ind	(mm)	(mm)	(mm)		

BULLE

19	N.P. THOMPSON	NPT 190117 SP	NPT 150112	GT	94	115	94	96	102	113	114	107	111	114	115	1.19		
			NPT 150154		1.62 76	20.4 71	0.06 47	2.7 50	12.0 40	31.6 60	164 66	-61 13	18.6 74	13 75	36 72	9.41		
				24.10.19	40	281	106				-	97	-	346	1173	1396	53.3	
20	N.P. THOMPSON	NPT 190118 SP	NPT 160050	GT	106	112	99	95	102	113	131	116	118	112	111	1.17		
			NPT 150159		0.41 75	19.3 71	-0.16 45	2.5 49	13.0 40	31.4 56	240 65	-81 10	24.2 74	12 75	29 72	7.49		
				24.10.19	34	264	101				-	110	-	354	1183	1386	49.4	
21	N.P. THOMPSON	NPT 190069 SP	CEF 160380	GT	94	107	104	100	96	111	116	103	119	109	117	1.21		
			NPT 160190		1.67 76	16.9 71	-0.39 43	4.0 47	6.0 38	29.9 60	170 66	-53 20	25.3 74	9 76	39 73	9.38		
				21.08.19	38	276	93				-	97	-	352	1154	1391	65.9	
22	N.P. THOMPSON	NPT 190147 SP	CEF 160380	GT	116	108	109	97	105	120	131	116	123	115	120	1.16		
			NPT 130122		-0.67 77	17.5 73	-0.61 48	3.2 53	16.0 42	36.3 61	242 67	-81 22	28.5 75	13 76	42 73	6.88		
				16.11.19	32	262	101				-	112	-	355	1149	1338	50.9	
23	N.P. THOMPSON	NPT 190138 SP	AJF 150507	NS540	99	122	105	105	105	116	114	108	121	114	119	-		
			NPT 110010		1.18 77	23.7 73	-0.44 49	5.2 53	16.0 43	33.3 52	165 52	-64 16	26.8 56	13 56	41 55	7.44		
				09.11.19	38	292	111				100	100	-	-	-	-	48.4	
23 A	N.P. THOMPSON	NPT 190125 SP	AJF 150507	GT	95	108	97	95	97	104	100	103	101	99	104	1.18		
			NPT 110145		1.54 76	17.3 73	-0.08 46	2.4 52	6.0 39	25.1 58	98 66	-54 18	10.4 75	1 76	19 73	8.17		
				26.10.19	42	262	96				-	90	-	325	1174	1387	45.6	

BONSMARA BEESTELERSGENOOTSAP VAN SA


Saamgestel deur die Suid-Afrikaanse Stamboek- en Veeverbeteringsvereniging

Veilingsdatum: 16/09/2021
Data soos op 09/09/2021 08:16:49

Lot 19

NPT 190117
SPN Mat. 96

NPT 150112
SPN Mat. 95



NPT 150154
SPN Mat. 100

OEK 34 SPN Mat. 100
TKP 409 Oud/Kalw. 5/3
RI 101 Gem. SI/Kalf 94/3

JPL 090108
SPN Mat. 92

NPT 120294
SPN Mat. 103

OEK 33 SPN Mat. 103
TKP 425 Oud/Kalw. 7/5
Gem. SI/Kalf 99/5

JOY 120020
SPN Mat. 101

NPT 110164
SPN Mat. 107

OEK 29 SPN Mat. 107
TKP 399 Oud/Kalw. 9/7
Gem. SI/Kalf 101/7

FCT 060147
SPN Mat. 82

JPL 990082
SPN Mat. 81

NPT 060011
SPN Mat. 95

NPT 980183
SPN Mat. 98

LAR 040377
SPN Mat. 114

JOY 050126
SPN Mat. 89


JRP 070067
SPN Mat. 100

NPT 000151
SPN Mat. 127

Lot 20

NPT 190118
SPN Mat. 95

NPT 160050
SPN Mat. 103



NPT 150159
SPN Mat. 90

OEK 34 SPN Mat. 90
TKP 410 Oud/Kalw. 5/3
RI 101 Gem. SI/Kalf 94/3

JOY 120020
SPN Mat. 101

NPT 070295
SPN Mat. 105

OEK 35 SPN Mat. 105
TKP 453 Oud/Kalw. 10/7
Gem. SI/Kalf 102/7

DAJ 120124
SPN Mat. 76

NPT 110200
SPN Mat. 114

OEK 34 SPN Mat. 114
TKP 419 Oud/Kalw. 4/2
Gem. SI/Kalf 110/2

LAR 040377
SPN Mat. 114

JOY 050126
SPN Mat. 89

NPT 010066
SPN Mat. 102

NPT 030134
SPN Mat. 106

GCD 050148
SPN Mat. 109

DAJ 070096
SPN Mat. 89


NPT 070038
SPN Mat. 129

NPT 050217
SPN Mat. 71

Lot 21

NPT 190069
SPN Mat. 100

CEF 160380
SPN Mat. 96



NPT 160190
SPN Mat. 102

OEK 34 SPN Mat. 102
TKP 583 Oud/Kalw. 4/2
RI 88 Gem. SI/Kalf 93/1

CEF 130317 pp(c)
SPN Mat. 67

CEF 110175
SPN Mat. 134

OEK 30 SPN Mat. 134
TKP 399 Oud/Kalw. 8/6
Gem. SI/Kalf 104/5

NPT 120177
SPN Mat. 104

NPT 110251
SPN Mat. 97

OEK 28 SPN Mat. 97
TKP 478 Oud/Kalw. 5/3
Gem. SI/Kalf 92/3

CEF 110301 pp(c)
SPN Mat. 77

CEF 100161
SPN Mat. 99

CEF 080391
SPN Mat. 101

CEF 030132
SPN Mat. 133

NPT 060011
SPN Mat. 95

NPT 020339
SPN Mat. 105


NPT 070116
SPN Mat. 102

NPT 080013
SPN Mat. 110

Lot 22

NPT 190147
SPN Mat. 97

CEF 160380
SPN Mat. 96



NPT 130122
SPN Mat. 99

OEK 35 SPN Mat. 99
TKP 390 Oud/Kalw. 7/5
RI 104 Gem. SI/Kalf 101/5

CEF 130317 pp(c)
SPN Mat. 67

CEF 110175
SPN Mat. 134

OEK 30 SPN Mat. 134
TKP 399 Oud/Kalw. 8/6
Gem. SI/Kalf 104/5

JPL 090108
SPN Mat. 92

NPT 110009
SPN Mat. 87

OEK 30 SPN Mat. 87
TKP 423 Oud/Kalw. 4/2
Gem. SI/Kalf 94/2

CEF 110301 pp(c)
SPN Mat. 77

CEF 100161
SPN Mat. 99

CEF 080391
SPN Mat. 101

CEF 030132
SPN Mat. 133

FCT 060147
SPN Mat. 82

JPL 990082
SPN Mat. 81


NPT 070204
SPN Mat. 80

NPT 030059
SPN Mat. 101

Lot 23

NPT 190138
SPN Mat. 105

AJF 150507
SPN Mat. 101



NPT 110010
SPN Mat. 114

OEK 29 SPN Mat. 114
TKP 376 Oud/Kalw. 10/8
RI 113 Gem. SI/Kalf 106/7

GJN 120213
SPN Mat. 96

AJF 110004
SPN Mat. 107

OEK 32 SPN Mat. 107
TKP 432 Oud/Kalw. 6/4
Gem. SI/Kalf 104/4

NPT 060118
SPN Mat. 135

NPT 040218
SPN Mat. 85

OEK 35 SPN Mat. 85
TKP 389 Oud/Kalw. 11/9
Gem. SI/Kalf 97/8

GJN 080021
SPN Mat. 106

GJN 100034
SPN Mat. 102

BHE 040058
SPN Mat. 89

AJF 070103
SPN Mat. 96

RAI 020060
SPN Mat. 132

NPT 980150
SPN Mat. 102


NPT 000105
SPN Mat. 100

NPT 000175
SPN Mat. 70

Lot 23A

NPT 190125
SPN Mat. 95

AJF 150507
SPN Mat. 101



NPT 110145
SPN Mat. 89

OEK 30 SPN Mat. 89
TKP 405 Oud/Kalw. 8/6
RI 107 Gem. SI/Kalf 94/6

GJN 120213
SPN Mat. 96

AJF 110004
SPN Mat. 107

OEK 32 SPN Mat. 107
TKP 432 Oud/Kalw. 6/4
Gem. SI/Kalf 104/4

LDW 060033
SPN Mat. 84

NPT 090013
SPN Mat. 91

OEK 31 SPN Mat. 91
TKP 403 Oud/Kalw. 4/2
Gem. SI/Kalf 90/2

GJN 080021
SPN Mat. 106

GJN 100034
SPN Mat. 102

BHE 040058
SPN Mat. 89

AJF 070103
SPN Mat. 96

CEF 990287
SPN Mat. 98

GCD 020024
SPN Mat. 81

NPT 060011
SPN Mat. 95

NPT 030268
SPN Mat. 97



BONSMARA CATTLE BREEDERS' SOCIETY OF SA
 Compiled by the South African Stud Book and Livestock Improvement Association
 Pedigree- and Performance data certified correct

Auction Date: 16/09/2021
 Data as on 09/09/2021 08:16:58

Lot	Seller	ID POLLED Gen	PARENTS		Test Genomic Tested DNA Birth Date	DIRECT CALF TRAITS		DAUGHTER TRAITS			GROWTH		EFF. Feed Conv	REP	MEASURE-MENTS			R:	Semen Users	Breeder Own Remarks
			SIRE GV PV	DAM GV PV		Progeny Birth Weight	Progeny Wean Weight	Ease of Calving	Milk prod.	Mature Weight	Post Wean Weight	Daily Gain			Post Wean	ADG	FCR			
						Birth Dir	Wean Dir	Birth Mat	Wean Mat	Mat Wgt	365d Ind	540d Ind	Ind	Ind	(mm)	(mm)	(mm)			

BULLS

24	N.P. THOMPSON	NPT 190094 SP	CEF 160380	GT	117	101	107	102	113	108	118	102	116	110	121	1.24		
			NPT 120206		-0.71 77	13.9 73	-0.54 49	4.6 54	25.0 42	27.6 61	183 68	-52 20	23.3 75	9 77	43 74	5.85		
				27.09.19	33	293	101				-	114	-	344	1161	1441	48.8	
25	N.P. THOMPSON	NPT 190144 SP	AJF 150507	GT	100	107	110	90	95	101	91	95	108	95	104	1.2		
			NPT 130124		1.04 76	16.6 72	-0.67 46	1.0 52	5.0 39	22.9 57	54 66	-36 15	16.5 74	-2 76	20 73	9.42		
				15.11.19	39	264	99				-	90	-	362	1128	1348	56.1	
26	N.P. THOMPSON	NPT 190158 SP	AJF 150507	GT	113	100	120	102	99	98	100	108	94	94	97	1.14		
			NPT 130150		-0.31 77	13.8 72	-1.11 46	4.6 52	9.0 39	20.8 57	96 66	-63 17	5.1 74	-4 76	10 73	6.6		
				26.11.19	33	263	101				-	97	-	332	1113	1274	46.9	
27	N.P. THOMPSON	NPT 190137 SP	AJF 150507	GT	102	112	105	103	100	108	110	110	119	114	111	1.16		
			NPT 120210		0.82 76	19.0 72	-0.45 47	4.7 52	10.0 35	28.1 58	143 65	-68 17	25.6 74	13 75	30 72	7.58		
				05.11.19	38	263	99				-	97	-	368	1154	1342	48	
28	N.P. THOMPSON	NPT 190105 SP	JOY 160103	GT	97	108	100	125	105	112	124	113	114	98	106	1.18		
			NPT 160181		1.38 75	17.2 69	-0.20 43	10.9 46	15.0 37	31.0 59	209 62	-75 13	21.4 72	0 74	23 70	7.14		
				15.10.19	35	335	117				-	114	-	349	1149	1361	67.8	

1.04	13.7	-0.20	3.9	10	22.3	97	-47	9.9	1	14
------	------	-------	-----	----	------	----	-----	-----	---	----

BONSMARA CATTLE BREEDERS' SOCIETY OF SA


Compiled by the South African Stud Book and Livestock Improvement Association

Auction Date: 16/09/2021
Data as on 09/09/2021 08:16:58

Lot 24

NPT 190094
SPN Mat. 102

CEF 160380
SPN Mat. 96



CEF 130317 pp(c)
SPN Mat. 67

CEF 110175
AFC 30 SPN Mat. 134
ICP 399 Age/Calv. 8/6
Avg. WI/Calf 104/5

NPT 100041
SPN Mat. 99


NPT 070102
AFC 32 SPN Mat. 127
ICP 406 Age/Calv. 12/9
Avg. WI/Calf 106/9

CEF 110301 pp(c)
SPN Mat. 77
CEF 100161
SPN Mat. 99
CEF 080391
SPN Mat. 101
CEF 030132
SPN Mat. 133
KVB 040101
SPN Mat. 69
NPT 000113
SPN Mat. 108
RAI 020060
SPN Mat. 132
NPT 040273
SPN Mat. 95

Lot 25

NPT 190144
SPN Mat. 90

AJF 150507
SPN Mat. 101



NPT 130124
AFC 35 SPN Mat. 80
ICP 390 Age/Calv. 7/5
RI 104 Avg. WI/Calf 96/5

GJN 120213
SPN Mat. 96

AJF 110004
AFC 32 SPN Mat. 107
ICP 432 Age/Calv. 6/4
Avg. WI/Calf 104/4

NPT 090101
SPN Mat. 74


NPT 110038
AFC 30 SPN Mat. 82
ICP 451 Age/Calv. 9/6
Avg. WI/Calf 94/5

GJN 080021
SPN Mat. 106
GJN 100034
SPN Mat. 102
BHE 040058
SPN Mat. 89
AJF 070103
SPN Mat. 96
NPT 060011
SPN Mat. 95
NPT 050182
SPN Mat. 81
NPT 070204
SPN Mat. 80
NPT 010185
SPN Mat. 104

Lot 26

NPT 190158
SPN Mat. 102

AJF 150507
SPN Mat. 101



NPT 130150
AFC 36 SPN Mat. 106
ICP 375 Age/Calv. 7/5
RI 105 Avg. WI/Calf 102/5

GJN 120213
SPN Mat. 96

AJF 110004
AFC 32 SPN Mat. 107
ICP 432 Age/Calv. 6/4
Avg. WI/Calf 104/4

BP 070018
SPN Mat. 102


NPT 090238
AFC 28 SPN Mat. 103
ICP 404 Age/Calv. 9/7
Avg. WI/Calf 98/7

GJN 080021
SPN Mat. 106
GJN 100034
SPN Mat. 102
BHE 040058
SPN Mat. 89
AJF 070103
SPN Mat. 96
LAR 030308
SPN Mat. 92
BP 940034
SPN Mat. 122
JRP 050020
SPN Mat. 115
NPT 030109
SPN Mat. 86

Lot 27

NPT 190137
SPN Mat. 103

AJF 150507
SPN Mat. 101



NPT 120210
AFC 29 SPN Mat. 104
ICP 414 Age/Calv. 8/6
RI 107 Avg. WI/Calf 104/5

GJN 120213
SPN Mat. 96

AJF 110004
AFC 32 SPN Mat. 107
ICP 432 Age/Calv. 6/4
Avg. WI/Calf 104/4

LDW 060033
SPN Mat. 84


NPT 090200
AFC 35 SPN Mat. 100
ICP 515 Age/Calv. 4/2
Avg. WI/Calf 106/1

GJN 080021
SPN Mat. 106
GJN 100034
SPN Mat. 102
BHE 040058
SPN Mat. 89
AJF 070103
SPN Mat. 96
CEF 990287
SPN Mat. 98
GCD 020024
SPN Mat. 81
GCS 040049
SPN Mat. 100
NPT 030181
SPN Mat. 95

Lot 28

NPT 190105
SPN Mat. 125

JOY 160103
SPN Mat. 114



NPT 160181
AFC 36 SPN Mat. 140
ICP 517 Age/Calv. 4/2
RI 89 Avg. WI/Calf 117/1

JOY 130002
SPN Mat. 95

BP 130056
AFC 34 SPN Mat. 130
ICP 378 Age/Calv. 7/5
Avg. WI/Calf 106/5

GCD 090111
SPN Mat. 143

NPT 070252
AFC 37 SPN Mat. 124
ICP 362 Age/Calv. 10/8
Avg. WI/Calf 103/8

GCD 090175
SPN Mat. 84
JOY 100107
SPN Mat. 95
WCS 060011
SPN Mat. 93
BP 070007
SPN Mat. 145
DAJ 050055
SPN Mat. 94
GCD 050053
SPN Mat. 112
NPT 020216
SPN Mat. 126
NPT 020339
SPN Mat. 105

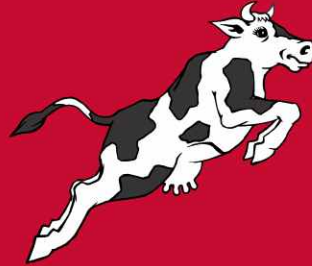
FEMALES

LOT	QTY	DESCRIPTION	REMARKS	BUYER	PRICE
LOT 29	6	Pregnant cows	CALVING SUMMER (4 x 2016, 1 x 2015)		
LOT 30	5	Pregnant cows	CALVING AUTUMN (2 x 2016, 3 x 2017)		
LOT 31	5	Pregnant cows	CALVING AUTUMN (3 x 2016, 1 x 2017, 1 x 2015)		
LOT 32	3	Pregnant cows	CALVING AUTUMN (2 x 2017, 1 x 2016)		
LOT 33	5	Pregnant Heifers	CALVING AUTUMN		
LOT 34	4	Pregnant Heifers	CALVING AUTUMN		
LOT 35	2	Pregnant Heifers	CALVING AUTUMN		
LOT 36	6	Mateable Heifers			
LOT 37	6	Mateable Heifers			
LOT 38	6	Mistley Reds	10 months old		
LOT 39	6	Mistley Reds	10 months old		
LOT 40	6	Mistley Reds	10 months old		
LOT 41	6	Mistley Reds	10 months old		
LOT 42	5	Mistley Reds	10 months old		
LOT 43	5	Mistley Reds	10 months old		

Thank you to our sponsors for their continued support.



**Your partner in
Animal Health**
Contact: Donald Knott
082 321 0673



Provident
ANIMAL HEALTH

3 Bowls Road, Arcadia | Tel: 043 743 6866
Oliver Fowles: 082 589 1616



NOW QUALITY HAS A NAME!

Tel: 011 995-5000
E-mail: sales@karanbeef.com

Jamie Renton

PO Box 190
Grahamstown, 6140
rayga@albanynet.co.za

Tel: 046 622 7323



Rayner
General Agencies

Reg.No: 1993/20619/23

PETER WEBSTER AGENCIES

OPTIMIZOR

Elanco

SWACOVET
(EDMS) BPK. (PTY) LTD.

EPOL & MOLATEK

CONTACT:
PETER WEBSTER 083 232 1249

express
PETROLEUM
better faster fuel

E-C-M
EASTERN CAPE MOTORS



Go Further

Edward Thompson (Sales Executive)

Phone: 043 704 4000 | Cell: 072 267 4398 | Fax: 043 722 2504

Email: edward.thompson@ecmel.co.za

www.easterncapemotors.co.za

Eastern Cape Motors 93 Fitzpatrick Road - Arcadia - East London - 5201

A&J TYRE CENTRE
A M A T H A Y A R I A M A H L E



Branches in Butterworth & Dutywa
Contact Brad Malherbe 073 755 3012
Tel: 047 491 3265 | ajtyrecentre@gmail.com



CHARTERIS
& BARNES

CLOSE CORPORATION

CHARTERED ACCOUNTANTS (SA)

Chartered Accountants & Business Consultants
The Hub, Bonza Bay Rd, Beacon bay Tel: 043-704 2200 Fax: 043-721 1583

We offer the following services:

Accountancy
Income Tax Planning and Consulting
Management and Business Advice
Administration of Deceased and Insolvent Estates
Estate Planning and Trusts
Computerised Accounting Systems
Information Technology Consultancy



The Trusted Home of Agriculture
Die Betroubare Tuiste van Landbou

For all your farming requirements:
Dips & Medicine, Stock Feed
Fertilizer, Tools, Fencing

"If we have not got it, we'll do our best to get it"
KOMGA BRANCH Tel: 043 831 1011



You've tried the rest..... now try the best!

**WE SPECIALISE IN ALL SHORT TERM
INSURANCE REQUIREMENTS:
COMPRISING: Buildings, Liabilities, Contents
Motor, Livestock etc.**

CONTACT: Marc Bradley: 083 389 7827

42 Prince Alfred St | Queenstown, 5319 | Phone: 045 838 2914

Komga Packaging Pty Ltd

2021/706523/07



Pre-packers of Top Quality
Rice | Sugar beans | Yellow Maize | Samp and Beans
Products of Top Quality Maize Malt, Sorghum Malt, Vita start,
and Plaza Instant Porridges

19 Hardwick street, PO Box 195, Komga 4950
Telephone 046 831 1066 | Facsimile: 043 831 1390 | Email neil@plazaproducts.co.za



MCCORMICK
Agri cc

“World Class Products”

N2 Highway, Brakfontein Offramp, East London

Tel: 043 737 4122 or 043 737 4136 | www.mccormickagri.co.za



SUPPLIERS OF:



KALVIN: 083 500 5557 | OFFICE: 043 737 4122

DUMISK CROP CARE

For all your soluble pesticides,
Water soluble fertiliser,
Knap Sacks etc.

A wide range of seeds available,
Agent of U.A.P
Prosert & K2 Agri

Duwal Edwards

Tel: 043 732 1919 | Cell: 083 228 5951

BKB
RIVERVIEW

**RULES OF AUCTION,
TERMS AND CONDITIONS**

1. This auction will be held under the control of BKB Limited/ BKB Riverview (Pty) Limited (hereinafter referred to as "the Auctioneer") with business premises situated at: Ouplaas farm, R72, Alexandria. The Auctioneer is hereby appointed by the Purchaser and Seller to act for and on behalf of the Purchaser and Seller as agent in accordance with Section 54 of the Value-Added Tax Act, 1991, in respect of all tax invoices, credit and/or debit notes in respect of all livestock, game and/or goods offered at the auction or any costs of transport and insurances premiums paid for on behalf of the Purchaser and Seller.
2. The rules of this auction shall comply with the provisions of Section 45 and all relevant regulations to the Consumer Protection Act 68 of 2008.
3. For greater clarity Section 45(1-4) states as follows:
- 3.1 In this section, "auction" includes a sale in execution of or pursuant to a court order, to the extent that the order contemplates that the sale is to be conducted by an auction.
- 3.2 When goods are put up for sale by auction, each lot is, unless there is evidence to the contrary, regarded to be the subject of a separate transaction.
- 3.3 A sale by auction is complete when the auctioneer announces its completion by the fall of the hammer, or in any other customary manner, and until that announcement is made, a bid may be retracted.
- 3.4 Notice must be given in advance that a lot or sale by auction is subject to:
 - 3.4.1 A reserved or upset price; or
 - 3.4.2 A right to bid by or on behalf of the owner or auctioneer, in which case the owner or auctioneer, or any one person on behalf of the owner or auctioneer, as the case may be, may bid at the auction.
4. Until the fall of the hammer as contemplated in Section 45(3) of the Act, any bid may be retracted or declined by the Auctioneer if not compliant with the regulations of the Consumer Protection Act.
5. The auction is not an absolute auction but subject to reserved prices settled by the sellers and as pointed out by the Auctioneer prior to the sale of the set asset or lot.
6. The auction shall take place at the date and time as advertised or publicised and will not be postponed or delayed to enable any member or group of the public to partake in the auction.
7. Should the Auctioneer become aware of any fault on advertising material or any other publication or amendment to these Rules of Auction, the Auctioneer will prior to the auction point out and when necessary amend such mistakes in the advertisement or publication.
8. Any person attending the auction to enter a bid, must prior to the auction register as a buyer on the bidders' roll and comply with the conditions as set out in Chapter 1 of FICA 2001. The purchaser shall sign the bidders' roll/card.
9. Any person who attends the auction to enter a bid on behalf of another person must be duly authorised thereto by means of a written letter of authority from its principal and such a person together with his principal must both register prior to the auction on the bidders' roll and provide all necessary information as required in Chapter 1 of the regulations issued in terms of FICA 2001 with regard to proof of its identity. The bidders' roll/card must be signed by such a person and on behalf of its principal.
10. Where the principal is a company the letters of authority shall appear on the letterhead of the company together with a certified copy of a resolution authorizing the person to bid on behalf of the company. (For purposes of this rule any reference to a company will include any reference to juristic person including partnerships, trusts or incorporated entities).
11. All purchasers have a right of inspection of all goods put up for sale and the auctioneer shall provide reasonable time and access prior to the start of the auction for such an inspection.
12. All livestock, game and goods are sold "voetstoots" and the purchasers do not enjoy the protection of Section 55 and 56 of the Consumer Protection Act. Any information provided regarding the quality, breeding, age, date of insemination, condition, reproductive status or any information regarding health, production or mass or any other aspect of the livestock and/or game, is provided by the seller and any misrepresentation by the seller is without the cooperation or knowledge of the Auctioneer. Any right of recourse as a result of such misrepresentation shall be against the seller.
13. Any bid made does not include VAT which, where applicable, will be added to the bidding price for which a VAT invoice will be issued.
14. All sales are for cash and purchase price is payable immediately to the Auctioneer on acceptance of the bid unless otherwise arranged prior to the auction with the Auctioneer. Any payment made in cash is further subject to cash or any other handling fees. Should the Purchaser however fail to make payment within 7 days from date of delivery, BKB will be entitled to add interest calculated at the current bank prime rate plus 5% to the capital amount outstanding. The interest will be calculated monthly and capitalised.
15. Should the purchaser not pay the purchase price immediately and has failed to make arrangements for payment with the Auctioneer, then the Auctioneer can/will cancel the sale and treat the assets or lots as unsold lots which may again be presented on the auction for sale or be sold out of hand by means of liaison services, depending on the seller's mandate to the auctioneer.
16. Ownership in the lot or assets will remain that of the seller until the purchase price has been paid in full to the seller with the provision that the risk in the assets or lot passes to the purchaser at the fall of the hammer as set out in clause 23.
17. In the event that Purchaser has made necessary finance arrangements with BKB, the Purchaser hereby authorises BKB to pay the purchase price or costs of transport, insurance and any other agreed cost, minus BKB's commissions, on behalf of the Purchaser to the Seller and other service providers, in which event the said payment by BKB on behalf of the Purchaser will be deemed to be monies lent and advanced, the terms and conditions thereof being agreed with the Purchaser in a separate credit agreement or sale agreement. All payments made by BKB to the Seller on behalf of the Purchaser in terms of this clause will be made after the lapse of 5 (Five) working days from date of delivery of the asset to the Purchaser. Any payment made by BKB to the Seller prior to the lapse of the 5 (Five) working day period is made at the sole discretion of BKB and not an enforceable indulgence.
18. For as long as any amount is owing to BKB by the Purchaser, the Purchaser may not, where the assets are the subject of security of the Purchaser's credit facility with BKB, relinquish possession of the said asset, nor may he cede the asset or any of its rights and obligations in terms of this agreement to a third party or otherwise encumber, sell or dispossess the said asset or allow it to become the subject of any right of retention, hypothec, pledge or any encumbrance, whatever the cause thereof may be. BKB may be entitled to cede its rights and obligations without affecting its rights of recourse for any monies still due to it.
19. In the event of the Seller already being indebted to BKB or any of its affiliates at the time of this auction, the Seller hereby irrevocably authorises BKB to set off the purchase price due to the Seller by BKB (minus BKB's commission) against the amounts due by the Seller to BKB.
20. Where BKB, in terms of a credit agreement, lent and advanced monies to the Purchaser for payment of the purchase price of any asset or payment of any transport costs or insurance premiums, no defence of whatsoever nature which the Purchaser may raise against the Seller or the transport contractor or the insurance company may be raised against BKB and the Purchaser shall still be obligated to pay all amounts owing, together with further interest and costs thereon raised in terms of the credit agreement or sale agreement, to be BKB. The conditions of this clause do not interfere with the rights, entitlements or remedies the Purchaser may have against the Seller, transport contractor or insurance company.
21. Neither the Purchaser, nor the Seller, shall be entitled to apply set-off or to retain any monies owing arising from any claim they may have against each other or BKB with regards to any amount owing in terms hereof.
22. Each lot shall immediately after the fall of the hammer deemed to be delivered to the purchaser at which time the risk will pass to the purchaser who will at his own risk and cost remove the lots or assets from the auction terrain. Removal of any assets or lots however will not be allowed by the Auctioneer until payment of the purchase price by the purchaser or acceptable arrangements for payment thereof have been made by the purchaser with the Auctioneer.
23. The Auctioneer will only be obliged to give reasons of the auction if such reasons are other than the voluntary sale of goods by its owners.
24. The bidders' roll and vendor roll will be available for registered buyers for inspection with written notice and good reason during the normal office hours at the business premises of the Auctioneer.
25. The rules of auction will only be read out at the auction if they were not available to the public at the place of business of the Auctioneer. In the event of livestock and game auctions, the rules of auction remain unchanged and are in general available at the business premises of the Auctioneer or on the website of the Auctioneer.
26. Under no circumstances will BKB be held liable for any loss or damage of any cause whatsoever albeit direct or indirect damages suffered by anyone if the livestock and/or game at the auction premises have to be placed under quarantine as a result of the presence of a livestock and/or game disease present. In such event BKB will have the right to cancel the auction as well as any already complete sales and no party will be entitled or have a right of recourse against BKB.
27. Any party requiring permits, removal certificate, documentation of identification or any other statutory prescribed document will solely be responsible for obtaining same. Any instructions to an auctioneer with regards to the loading, transporting, choice of transport contractors, insurance or choice of insurers will be executed at the sole risk of the person acquiring such services and the Auctioneer will not be held responsible for any losses whether direct or indirect which may be suffered as a result of giving effect to the instructions by the Auctioneer. The Auctioneer however does accept responsibility as contemplated in Section 35(2) of the Consumer Protection Act whilst the goods or lots are under control of the auctioneer. Any agreement entered into by the Auctioneer with a transport company or insurer is done so in its representative capacity of the seller or buyer. All transport costs or insurance premiums are therefore payable to the Auctioneer in cash except if acceptable alternative arrangements were made with the Auctioneer.
28. Both the seller and the buyer consent to the jurisdiction of the Magistrate's Court as contemplated in Section 45 of Act 32 of 1944 having regard to any action which the Auctioneer may institute against the buyer or seller irrespective of the cause of action. Notwithstanding the aforesaid the Auctioneer will have the sole and absolute discretion to institute action in any High Court with appropriate jurisdiction.
29. Any legal costs that BKB may have or will incur as a result of the non-compliance of the Purchaser and/or Seller in terms of its or their obligations herein, shall be recoverable by BKB, together with collection commissions from the Purchaser and/or Seller on a scale as between attorney and own client.
30. No variation, amendment, novation or addition to these terms and conditions will have the effect of BKB renouncing any of its rights in terms hereof, unless it is reduced to writing and signed by BKB.
31. No relaxation or indulgence by the Auctioneer must be interpreted as a waiver of any of the Auctioneer's rights in terms hereof. Such relaxation or indulgence must also not be interpreted as a novation hereof.

32. Should any condition be unlawful or become retrospectively unlawful, that unlawful condition shall be deemed to be amended to the extent and in the manner as is necessary to make it lawful or should such amendment be impossible, the unlawful conditions shall be deemed devisable from the remainder of the conditions and *pro non scripto*.

LIAISON AGREEMENT: TERMS AND CONDITIONS

1. For purposes of these terms and conditions, reference to BKB will be reference to BKB Limited and/or any of its affiliate companies, including but not limited to BKB Riverview (Pty) Ltd. All goods and/or livestock (hereinafter referred to as "asset") are sold by BKB on behalf of the Seller.
2. BKB is hereby appointed by the Purchaser and Seller to act for and on behalf of the Purchaser and Seller as agent in accordance with Section 54 of the Value-Added Tax Act, 1991, in respect of all tax invoices, credit and/or debit notes in respect of all livestock, game and/or goods supplied as part of the liaison agreement or any costs of transport and insurances premiums paid for on behalf of the Purchaser and Seller.
3. The Seller confirms that he is the sole owner of the asset and that there are no encumbrances over the asset and the asset has not been ceded as security to a third party.
4. A Seller who offers any asset for sale remains solely responsible for all representations, including misrepresentation, regarding *inter alia* the ages, sex and health status or any other specific aspect of the asset(s) and the Purchaser's only right of recourse, should a dispute arise surrounding the representations made by the Seller, will be against the Seller.
5. In all transactions, the Purchaser is entitled to inspect the asset. The purpose of the inspection is to enable the Purchaser to establish whether the asset is of the type and quality which may be reasonably expected and whether the requirements of the asset are met.
6. The Purchaser must do everything in its power to attend to inspection of the asset after, either in person or by means of an agent other than an official of BKB. Should the Purchaser fail to make use of the opportunity to inspect the asset prior to delivery, the Purchaser acknowledges that he will have no right to refuse delivery of the said asset, nor have the right to return the said asset to the Seller on the grounds that the asset is not of the expected type or quality or does not meet specific requirements.
7. Unless otherwise specifically agreed between the Seller and the Purchaser, the Purchaser will be entitled to delivery of the asset within a reasonable time period after entering into the transaction.
8. For purposes hereof, hereof and unless specifically otherwise agreed between the Seller and Purchaser, it is deemed that the delivery takes place at the principle place of business of the Seller, at which time all the risk in the asset transfers from the Seller to the Purchaser.
9. Where the asset is removed at the specific instance and request of the Purchaser by transport operators from the premises of the Seller, delivery to the Purchaser is deemed to take place at the time the asset is collected by the transport operators.
10. Any transport arrangements made by an official of BKB is done so at the instance and request of the Purchaser.
11. BKB is entitled to recover commissions and/or costs as specified on the counterfoil from the Purchaser and/or Seller.
12. The purchase price, BKB's commissions, all statutory levies, the transport costs (if any) and the insurance costs (if any) is immediately payable in cash by the Purchaser to BKB upon entering into the transaction, unless otherwise agreed to in writing between BKB and the Purchaser. Any payment made in cash is further subject to cash or any other handling fees. Should the Purchaser however fail to make payment within 7 days from entering into the transaction, BKB will be entitled to add interest calculated at the current bank prime rate plus 5% to the capital amount outstanding. The interest will be calculated monthly and capitalised.
13. Should the Purchaser fail to pay the purchase price within the 7 (Seven) day period and furthermore fail to make alternate finance arrangements in writing with BKB, BKB will be entitled to cancel the said sale.
14. In the event that Purchaser has made necessary finance arrangements with BKB, the Purchaser hereby authorises BKB to pay the purchase price or costs of transport, insurance and any other agreed cost, minus BKB's commissions, on behalf of the Purchaser to the Seller and other service providers, in which event the said payment by BKB on behalf of the Purchaser will be deemed to be monies lent and advanced, the terms and conditions thereof being agreed with the Purchaser in a separate credit agreement or sale agreement. All payments made by BKB to the Seller on behalf of the Purchaser in terms of this clause will be made after the lapse of 5 (Five) working days from entering into the transaction. Any payment made by BKB to the Seller prior to the lapse of the 5 (Five) working day period is made at the sole discretion of BKB and not an enforceable indulgence.
15. For as long as any amount is owing to BKB by the Purchaser, the Purchaser may not, where the assets are the subject of security of the Purchaser's credit facility with BKB, relinquish possession of the said asset, nor may he cede the asset or any of its rights and obligations in terms of this agreement to a third party or otherwise encumber, sell or dispossess the said asset or allow it to become the subject of any right of retention, hypothec, pledge or any encumbrance, whatever the cause thereof may be. BKB may be entitled to cede its rights and obligations without affecting its rights of recourse for any monies still due to it.
16. In the event of the Seller already being indebted to BKB or any of its affiliates at the time of this agreement, the Seller hereby irrevocably authorises BKB to set off the purchase price due to the Seller by BKB in terms of this agreement (minus BKB's commission) against the amounts due by the Seller to BKB.
17. Where BKB, in terms of a credit agreement, lent and advanced monies to the Purchaser for payment of the purchase price of any asset or payment of any transport costs or insurance premiums, no defence of whatsoever nature which the Purchaser may raise against the Seller or the transport contractor or the insurance company may be raised against BKB and the Purchaser shall still be obligated to pay all amounts owing, together with further interest and costs thereon raised in terms of the credit agreement or sale agreement, to be BKB. The conditions of this clause do not interfere with the rights, entitlements or remedies the Purchaser may have against the Seller, transport contractor or insurance company.
18. Neither the Purchaser, nor the Seller, shall be entitled to apply set-off or to retain any monies owing arising from any claim they may have against each other or BKB with regards to any amount owing in terms hereof.
19. The Purchaser and Seller consent to the jurisdiction of the Magistrates Court as contemplated in terms of Section 45 of Act No 32 of 1944 in respect of any claim or action BKB may wish to institute against either the Seller or Purchaser, irrespective of the fact that the cause of action or amount of claim may exceed the jurisdiction the Court may have in terms of Section 28 of the said legislation. Notwithstanding the above, BKB in its sole and absolute discretion, has the right to institute action against the Seller and/or Purchaser in any High Court with competent jurisdiction.
20. A certificate signed by any manager, secretary or accountant for the time being of BKB and whose appointment does not have to be proven by BKB, shall be considered *prima facie* proof of any amount owing or payable by the Purchaser or Seller to BKB in terms of this agreement.
21. Any legal costs that BKB may have or will incur as a result of the non-compliance of the Purchaser and/or Seller in terms of its or their obligations herein, shall be recoverable by BKB, together with collection commissions from the Purchaser and/or Seller on a scale as between attorney and own client.
22. This agreement constitutes the entire agreement between the parties with regards to the contents thereof and the Purchaser and Seller hereby agrees that no verbal representation or agreement varies, changes or suspends any of the terms and conditions as set out herein.
23. No variation, amendment, novation or addition to this agreement will have the effect of BKB renouncing any of its rights in terms hereof, unless it is reduced to writing and signed by BKB.
24. No concession or indulgence by BKB made to the Purchaser or Seller shall be seen as a renunciation of any of BKB's rights in terms of this agreement and the concession or indulgence shall not be interpreted as a novation of this agreement in any way.
25. In the event that any of the terms and conditions of this agreement is found to be unlawful or is made unlawful retrospectively, then such unlawful term will be deemed to have been amended to such an extent necessary to make it legitimate and if such amendment is not possible, the said terms would be deemed divorced from the remainder of the terms of this agreement and *pro non scripto*.
26. The Purchaser and Seller hereby respectively chooses their *domicilia citandi et executandi* for purposes of all notices to be the addresses as set out on the reverse side hereof.
27. This agreement in its entirety is interpreted in terms of the laws of the Republic of South Africa and all disputes, actions and other matters arising here from shall be settled in terms of such legislation.
28. When BKB issues a computer generated invoice or statement of account to the Purchaser or Seller, the terms and conditions as set out herein remain unchanged and unaffected by the issuing of such statement of account or invoice.
29. Where the Purchaser enters into a transaction as a result of direct marketing methods employed by the Seller or the Seller's agent, the Purchaser may, without penalty or reason, cancel the said transaction within 5 (Five) working days from entering into the transaction, with the understanding that all risk in the asset remains with the Purchaser until its return to the Seller.
30. It is specifically pointed out to the Purchaser that, in the event of cancellation as set out in clause 29, he remains responsible for all transport costs, any loss or change in quality of the said asset as well as a cancellation fee equal to 10% of the purchase price, which cancellation fee the parties agree is reasonable.

In the event that the purchase price having already been paid to the Seller before cancellation as set out in clause 29, the Seller will be obliged to repay the purchase price to BKB, within the 15(Fifteen) working days from the date the asset has been returned to the Seller. The Seller shall be entitled to apply set-off by deducting any damages arising from losses or changes in quality. BKB shall account to the Purchaser after deduction of the cancellation fee as agreed.



Thank you for your support!

