

BOSHOFF BONSMARAS & BLOEMENDAL BONSMARAS

PRODUKSIEVEILING



**KLIEK HIER VIR
KOPERNOMMER REGISTRASIE**

**KLIEK HIER OM DEEL TE
NEEM AAN DIE VEILING**

41 BULLE

Termes en Voorwaardes



The Trusted Home of Agriculture
Die Betroubare Tuiste van Landbou

Produksieveiling

BOSHOFF- & BLOEMENDAL BONSMARAS

LOT 1 - 41 / Bulle



[KLIK HIER VIR
KOPERNOMMER REGISTRASIE](#)

[KLIK HIER OM DEEL TE
NEEM AAN DIE VEILING](#)



The Trusted Home of Agriculture
Die Betroubare Tuiste van Landbou

Bulle

BOSHOFF- & BLOEMENDAL BONSMARAS

LOT 1 CHC 17 069



CHC 170069 / B

Boshoff Bonsmaras

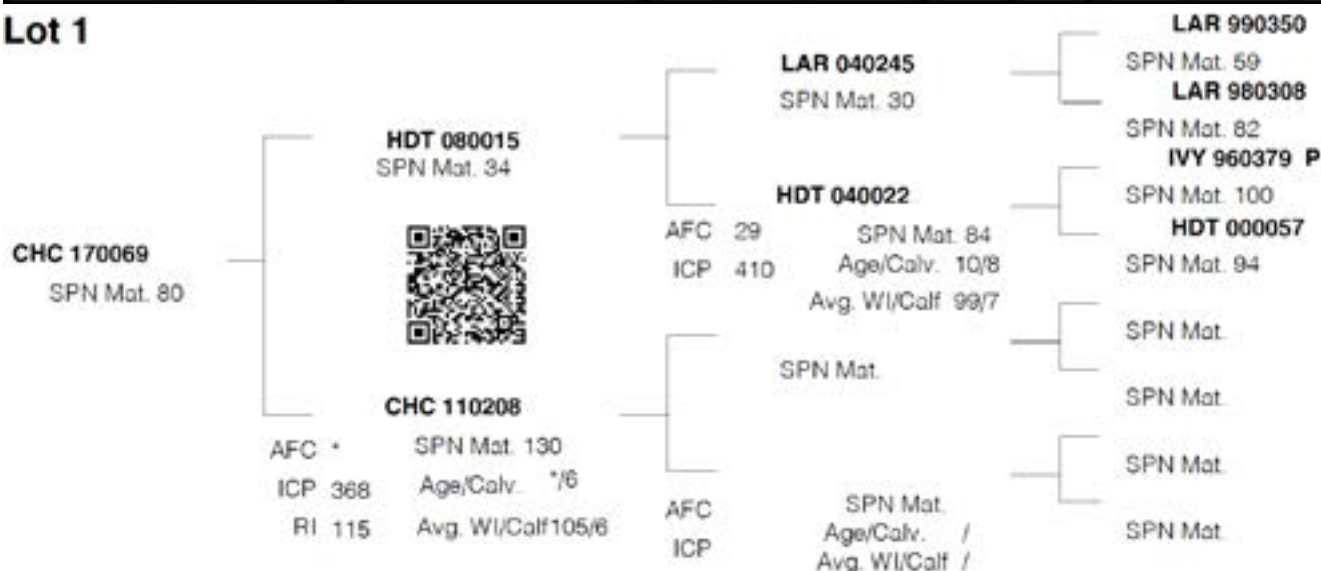
Geboorte 2017-10-03
datum:

Vader HDT 080015

Moeder CHC 110208

DIRECT CALF TRAITS			DAUGHTER TRAITS			GROWTH		EFF.	REP	MEASURE-MENTS	R:		
Progeny Birth Weight	Progeny Wean Weight		Ease of Calving	Milk prod.	Mature Weight	Post Wean Weight	Daily Gain	Feed Conv		Height & Length			
Breeding Value Indexes													
Birth Dir	Wean Dir		Birth Mat	Wean Mat	Mat Wgt	Post Wean	ADG	FCR	SC	Hgt	Lgt	LHR	
Acc	Acc		Acc	Acc	Acc	Acc	Acc	Acc	Acc	Acc	Acc	BWR	
												WWR	
Wgt kg	Wgt kg	Ind	kg	kg	kg	365d Ind	540d Ind	Ind	Ind	(mm)	(mm)	(mm)	
96	118		102	80	106	114	110	108	113	112	115	1.22	
1.48	21.5		-0.28	-1.8	17.0	31.5	143	-63	19.7	11	35	-	
75	70		53	57	35	58	66	14	74	76	73		
37	234	103				-		98	-	354	1139	1387	44.3

Lot 1



The Trusted Home of Agriculture
Die Betroubare Tuiste van Landbou

Bulle

BOSHOFF- & BLOEMENDAL BONSMARAS

LOT 2 CKB 17 050



CKB 170050 / SP

Bloemendal Bk

Geboorte 2017-10-04
datum:

Vader ADV 100082

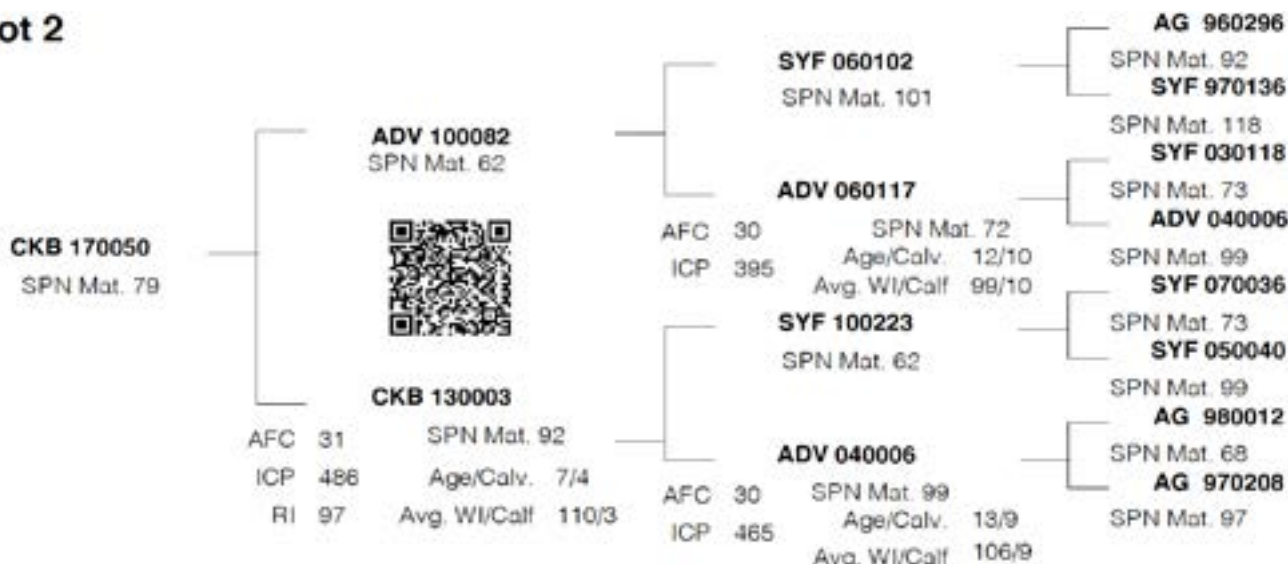
Moeder CKB 130003

DIRECT CALF TRAITS			DAUGHTER TRAITS			GROWTH		EFF.	REP	MEASURE-MENTS	R:
Progeny Birth Weight	Progeny Wean Weight		Ease of Calving	Milk prod.	Mature Weight	Post Wean Weight	Daily Gain	Feed Conv		Height & Length	

Breeding Value Indexes												
Birth Dir	Wean Dir		Birth Mat	Wean Mat	Mat Wgt	Post Wean	ADG	FCR	SC	Hgt	Lgt	LHR
Acc	Acc		Acc	Acc	Acc	Acc	Acc	Acc	Acc	Acc	Acc	BWR
Wgt kg	Wgt kg	Ind	kg	kg	kg	365d Ind	540d Ind	Ind	Ind	(mm)	(mm)	(mm)

86	120	105	79	104	122	113	107	94	100	106	1.2
2.53	22.8	-0.41	-2.1	14.0	37.4	157	-60	5.1	1	23	8.09
76	71	56	58	51	60	68	16	75	76	73	
41	233	105			-	110	-	331	1202	1441	53.4

Lot 2



The Trusted Home of Agriculture
Die Betroubare Tuiste van Landbou

Bulle

BOSHOFF- & BLOEMENDAL BONSMARAS

LOT 3 CHC 17 034



CHC 170034 / B

Boshoff Bonsmaras

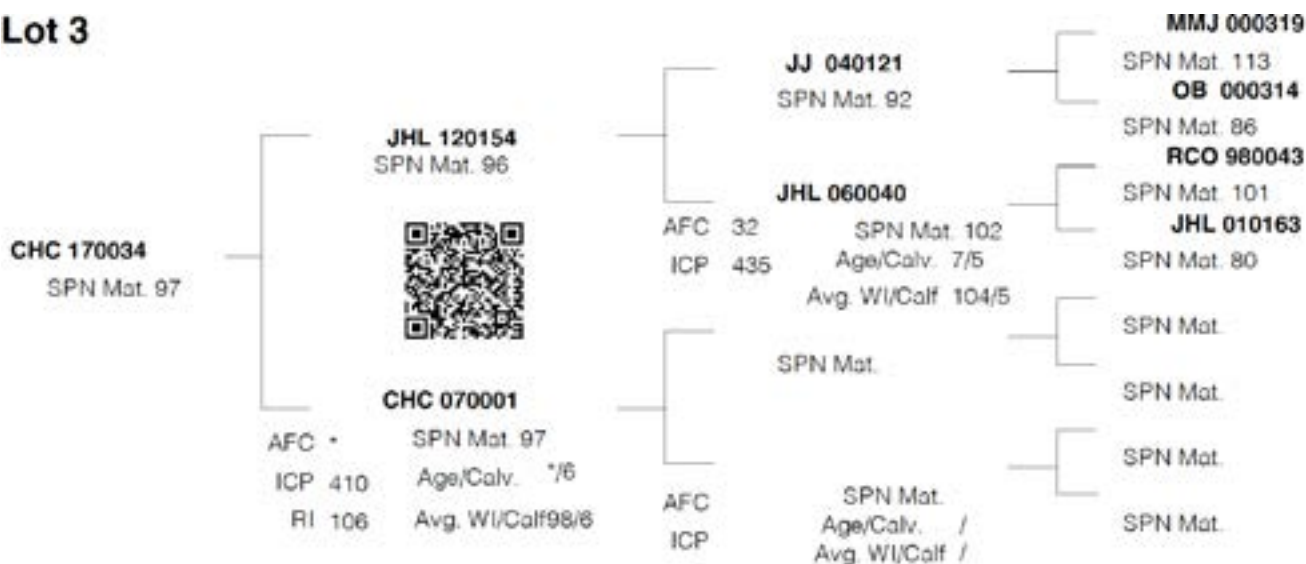
Geboorte 2017-05-21
datum:

Vader JHL 120154

Moeder CHC 070001

DIRECT CALF TRAITS			DAUGHTER TRAITS			GROWTH		EFF.	REP	MEASURE-MENTS	R:		
Progeny Birth Weight	Progeny Wean Weight		Ease of Calving	Milk prod.	Mature Weight	Post Wean Weight	Daily Gain	Feed Conv		Height & Length			
Breeding Value Indexes													
Birth Dir	Wean Dir		Birth Mat	Wean Mat	Mat Wgt	Post Wean	ADG	FCR	SC	Hgt	Lgt	LHR	
Acc	Acc		Acc	Acc	Acc	Acc	Acc	Acc	Acc	Acc	Acc	BWR	
												WWR	
Wgt kg	Wgt kg	Ind	kg	kg	kg	365d Ind	540d Ind	Ind	Ind	(mm)	(mm)	(mm)	
109	88		88	97	94	93	104	91	102	97	98	1.18	
0.07	8.0		0.36	3.0	3.0	17.0	115	-27	11.1	-1	11		
74	67		46	49	24	50	65	18	74	76	72		
37	200	94				-		101	-	354	1137	1337	36.8

Lot 3



The Trusted Home of Agriculture
Die Betroubare Tuiste van Landbou

Bulle

BOSHOFF- & BLOEMENDAL BONSMARAS

LOT 5 CKB 17 057



CKB 170057 / SP

Bloemendal Bk

Geboorte 2017-10-08
datum:

Vader SYF 120090

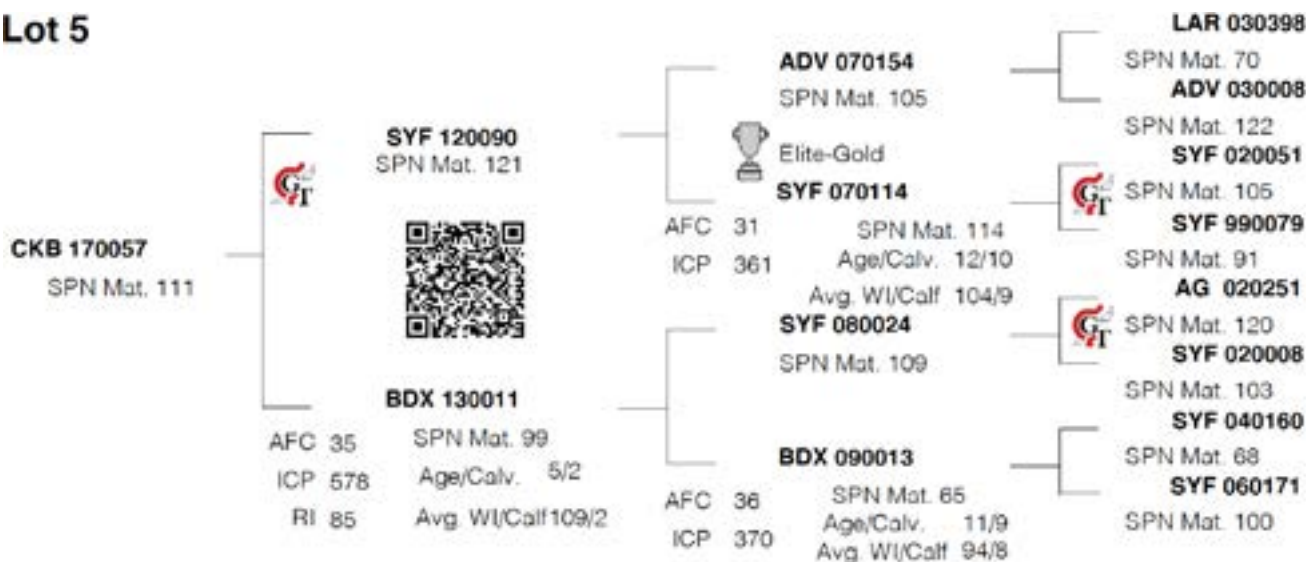
Moeder BDX 130011

Kliek vir video

DIRECT CALF TRAITS			DAUGHTER TRAITS			GROWTH		EFF.	REP	MEASURE-MENTS	R:	
Progeny Birth Weight	Progeny Wean Weight		Ease of Calving	Milk prod.	Mature Weight	Post Wean Weight	Daily Gain	Feed Conv		Height & Length		
Breeding Value Indexes												
Birth Dir	Wean Dir		Birth Mat	Wean Mat	Mat Wgt	Post Wean	ADG	FCR	SC	Hgt	Lgt	LHR
Acc	Acc		Acc	Acc	Acc	Acc	Acc	Acc	Acc	Acc	Acc	BWR
												WWR
Wgt kg	Wgt kg	Ind	kg	kg	kg	365d Ind	540d Ind	Ind	Ind	(mm)	(mm)	(mm)

94	110		90	111	94	113	108	95	103	103	108	1.22	
1.60	17.8		0.26	6.9	3.0	31.1	133	-35	12.2	4	25	8.03	
78	74		55	57	47	64	67	42	75	76	73		
38	226	102				-		113	-	347	1204	1463	48.5

Lot 5



The Trusted Home of Agriculture
Die Betroubare Tuiste van Landbou

Bulle

BOSHOFF- & BLOEMENDAL BONSMARAS

LOT 6 BDX 16 058



BDX 16 058 / SP

Bloemendal Bk

Geboorte 2016-10-04
datum:

Vader BDX 110029

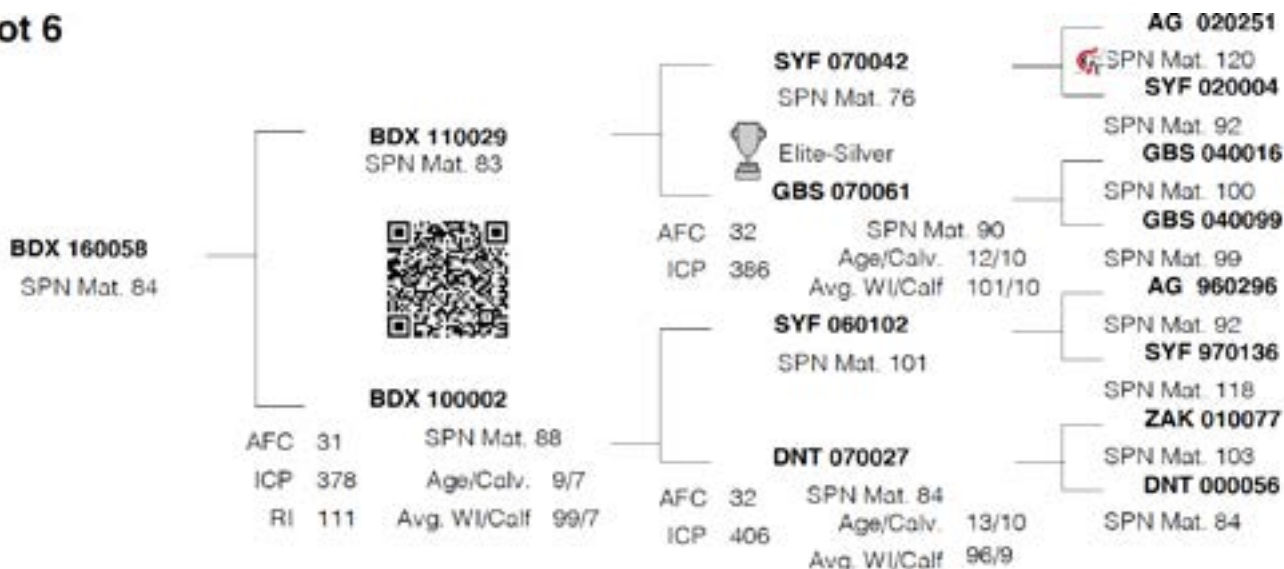
Moeder BDX 100002

DIRECT CALF TRAITS			DAUGHTER TRAITS			GROWTH		EFF.	REP	MEASURE-MENTS	R:
Progeny Birth Weight	Progeny Wean Weight		Ease of Calving	Milk prod.	Mature Weight	Post Wean Weight	Daily Gain	Feed Conv		Height & Length	

Breeding Value Indexes												
Birth Dir	Wean Dir		Birth Mat	Wean Mat	Mat Wgt	Post Wean	ADG	FCR	SC	Hgt	Lgt	LHR
Acc	Acc		Acc	Acc	Acc	Acc	Acc	Acc	Acc	Acc	Acc	BWR
Wgt kg	Wgt kg	Ind	kg	kg	kg	365d Ind	540d Ind	Ind	Ind	(mm)	(mm)	(mm)

104	97		104	84	83	96	92	95	89	78	88	1.21
0.63	11.8		-0.36	-0.5	-10.0	19.1	58	-35	0.5	-17	-3	7.83
77	59		51	53	45	58	66	18	74	76	73	
36	230	100				-		106	-	345	1147	1387

Lot 6



The Trusted Home of Agriculture
Die Betroubare Tuiste van Landbou

Bulle

BOSHOFF- & BLOEMENDAL BONSMARAS

LOT 7 JHL 17 031



JHL 170031 / SP

Jan Boshoff Bdy

Opmerking: Poena (P)

Geboorte 2017-04-25
datum:

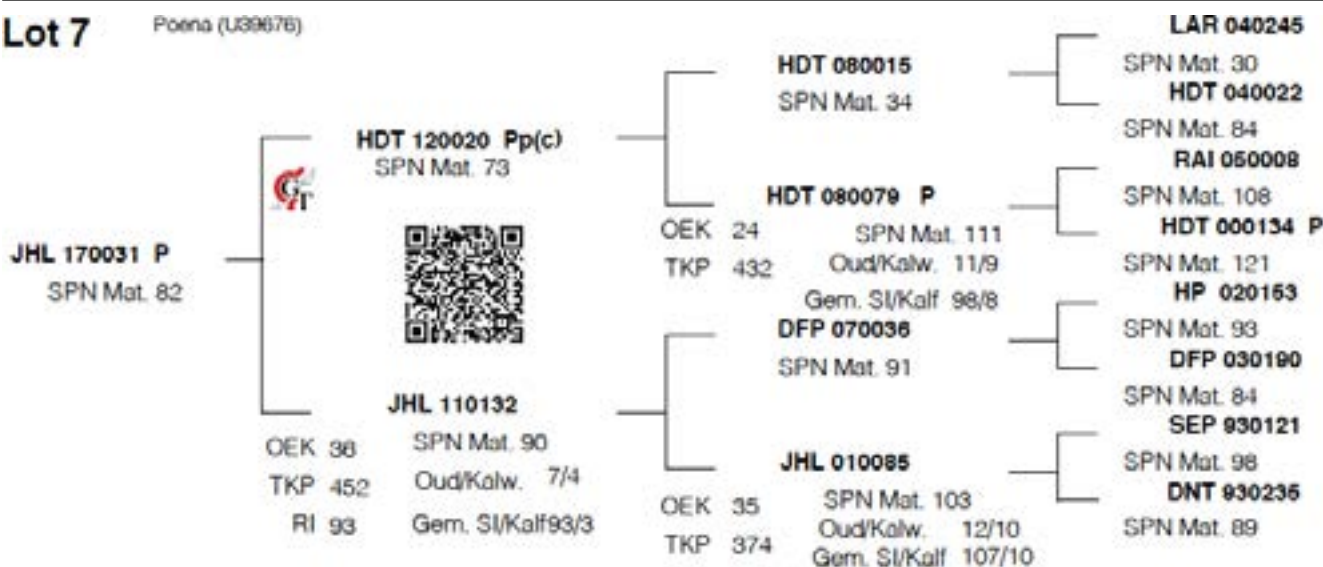
Vader HDT 120020

Moeder JHL 110132

DIRECT CALF TRAITS			DAUGHTER TRAITS			GROWTH		EFF.	REP	MEASUREMENTS			R:
Progeny Birth Weight	Progeny Wean Weight		Ease of Calving	Milk prod.	Mature Weight	Post Wean Weight	Daily Gain	Feed Conv		Height & Length			
Breeding Value Indexes													
Birth Dir	Wean Dir		Birth Mat	Wean Mat	Mat Wgt	Post Wean	ADG	FCR	SC	Hgt	Lgt	LHR	
Acc	Acc		Acc	Acc	Acc	Acc	Acc	Acc	Acc	Acc	Acc	BWR	
Wgt kg	Wgt kg	Ind	kg	kg	kg	365d Ind	540d Ind	Ind	Ind	(mm)	(mm)	(mm)	WWR
94	99		98	82	103	97	98	94	89	111	104	1.17	
1.65	13.1		-0.12	-1.1	13.0	19.7	86	-33	1.1	11	20	-	
77	72		52	54	38	82	68	17	76	77	74		
38	190	95				-		113	-	325	1185	1386	36.2

Lot 7

Poena (U39676)



BKB

The Trusted Home of Agriculture
Die Betroubare Tuiste van Landbou

Bulle

BOSHOFF- & BLOEMENDAL BONSMARAS

LOT 8 JHL 17 075



JHL 170075 / SP

Jan Boshoff Bdy

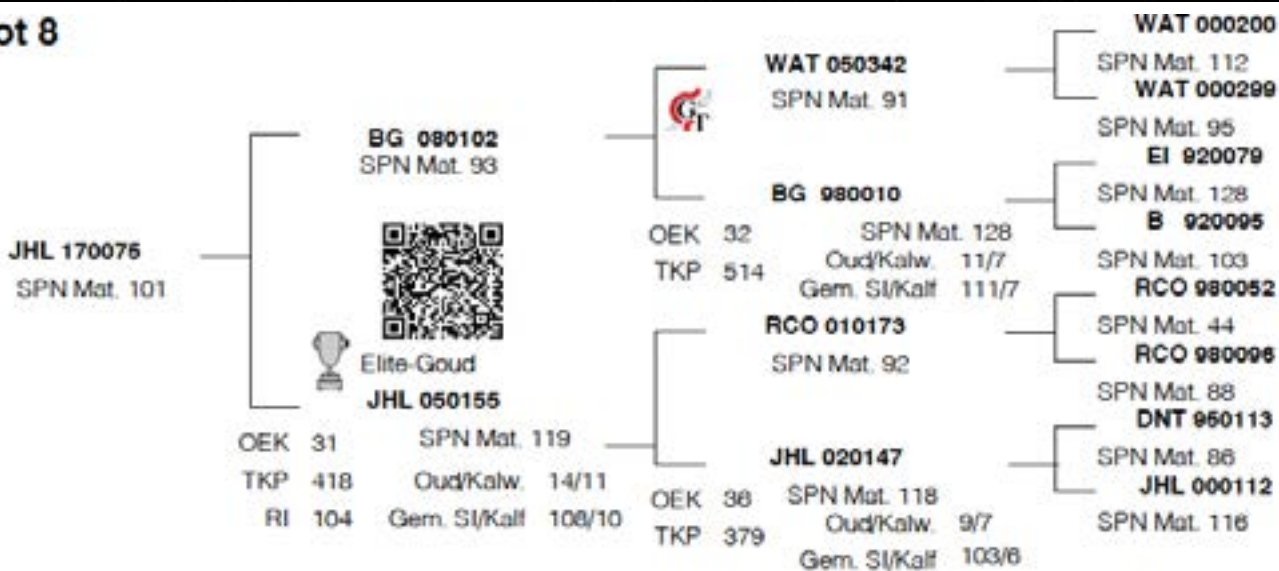
Geboorte 2017-06-27
datum:

Vader BG 080102

Moeder JHL 050155

DIRECT CALF TRAITS			DAUGHTER TRAITS			GROWTH		EFF.	REP	MEASURE-MENTS	R:		
Progeny Birth Weight	Progeny Wean Weight		Ease of Calving	Milk prod.	Mature Weight	Post Wean Weight	Daily Gain	Feed Conv		Height & Length			
Breeding Value Indexes													
Birth Dir	Wean Dir		Birth Mat	Wean Mat	Mat Wgt	Post Wean	ADG	FCR	SC	Hgt	Lgt	LHR	
Acc	Acc		Acc	Acc	Acc	Acc	Acc	Acc	Acc	Acc	Acc	BWR	
Wgt kg	Wgt kg	Ind	kg	kg	kg	365d Ind	540d Ind	Ind	Ind	(mm)	(mm)	(mm)	
89	138		103	101	136	142	145	127	113	136	136	1.2	
2.21	30.8		-0.34	4.1	50.0	51.4	308	-104	19.8	32	65	-	
78	74		61	63	46	65	69	30	76	78	76		
37	311	132				-		104	-	327	1214	1457	57.1

Lot 8



Bulle

BOSHOFF- & BLOEMENDAL BONSMARAS

LOT 9 CHC 17 082



CHC 170082 / B

Boshoff Bonsmaras

Opmerking: Poena (Pp(c))

Geboorte 2017-10-30
datum:

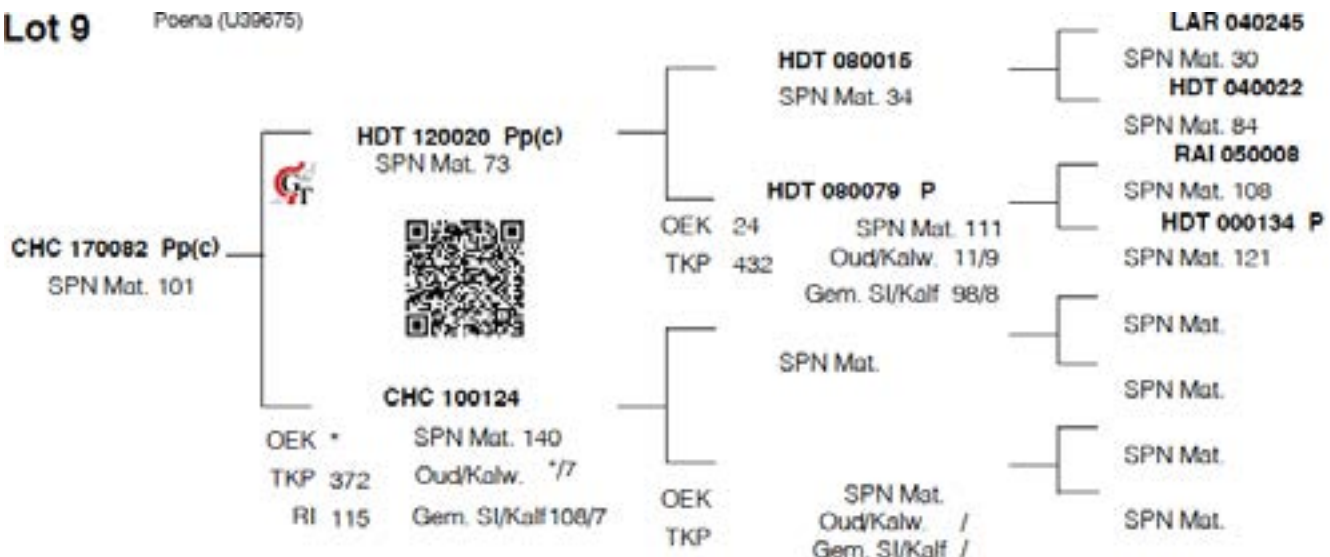
Vader HDT 120020

Moeder CHC 100124

DIRECT CALF TRAITS			DAUGHTER TRAITS			GROWTH		EFF.	REP	MEASURE-MENTS			R:
Progeny Birth Weight	Progeny Wean Weight		Ease of Calving	Milk prod.	Mature Weight	Post Wean Weight	Daily Gain	Feed Conv		Height & Length			
Breeding Value Indexes													
Birth Dir	Wean Dir		Birth Mat	Wean Mat	Mat Wgt	Post Wean	ADG	FCR	SC	Hgt	Lgt	LHR	
Acc	Acc		Acc	Acc	Acc	Acc	Acc	Acc	Acc	Acc	Acc	BWR	
Wgt kg	Wgt kg	Ind	kg	kg	kg	365d Ind	540d Ind	Ind	Ind	(mm)	(mm)	(mm)	WWR
96	120		102	101	100	117	113	102	114	120	124	1.22	
1.49	22.7		-0.30	4.3	10.0	33.5	158	-51	20.8	18	48	-	
75	71		52	58	30	58	66	11	74	76	73		
37	274	124				-		109	-	366	1181	1442	48.1

Lot 9

Poena (U39675)



The Trusted Home of Agriculture
Die Betroubare Tuiste van Landbou

Bulle

BOSHOFF- & BLOEMENDAL BONSMARAS

LOT 10 CHC 17 002



CHC 170002 / B

Boshoff Bonsmaras

Opmerking: Poena (P)

Geboorte 2017-04-07
datum:

Vader HDT 080015

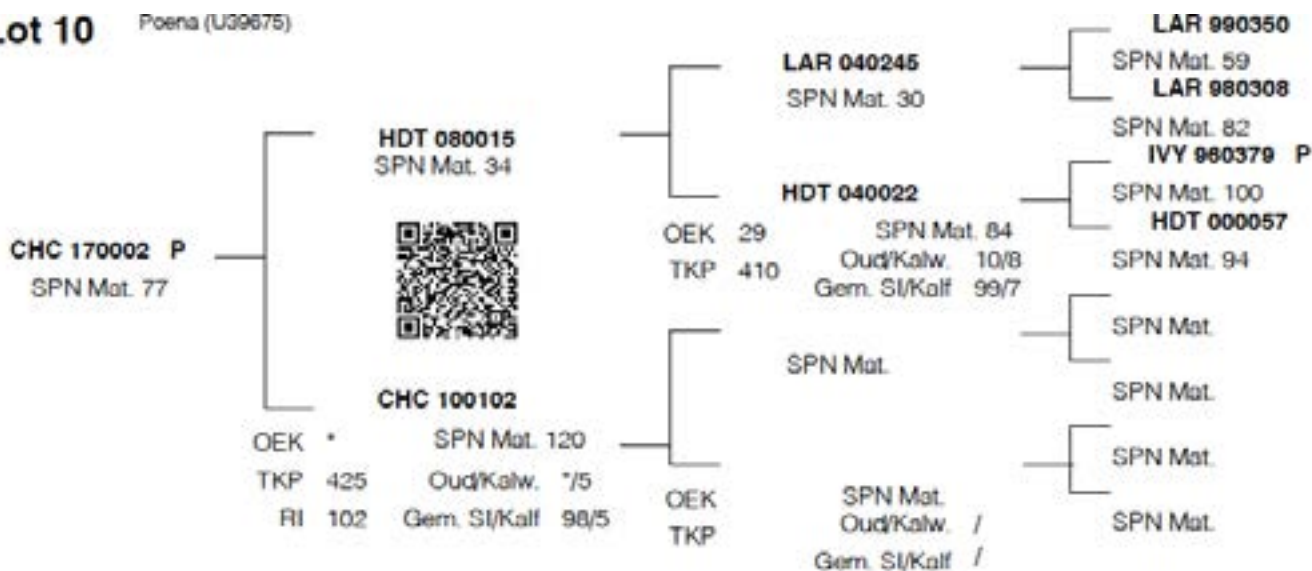
Moeder CHC 100102

DIRECT CALF TRAITS			DAUGHTER TRAITS			GROWTH		EFF.	REP	MEASURE-MENTS	R:	
Progeny Birth Weight	Progeny Wean Weight		Ease of Calving	Milk prod.	Mature Weight	Post Wean Weight	Daily Gain	Feed Conv		Height & Length		
Breeding Value Indexes												
Birth Dir	Wean Dir		Birth Mat	Wean Mat	Mat Wgt	Post Wean	ADG	FCR	SC	Hgt	Lgt	LHR
Acc	Acc		Acc	Acc	Acc	Acc	Acc	Acc	Acc	Acc	Acc	BWR
												WWR
Wgt kg	Wgt kg	Ind	kg	kg	kg	365d Ind	540d Ind	Ind	Ind	(mm)	(mm)	(mm)

96	117	97	77	100	121	125	114	130	130	123	1.16
1.47	21.3	-0.07	-2.7	10.0	36.5	213	-76	34.0	26	47	-
74	70	52	56	35	56	66	14	74	76	73	
37	238	96			-	109	-	393	1227	1426	40.9

Lot 10

Poena (U39675)



Bulle

BOSHOFF- & BLOEMENDAL BONSMARAS

LOT 11 JHL 17 016



JHL 170016 / SP

Jan Boshoff Bdy

Geboorte 2017-04-12
datum:

Vader BG 080102

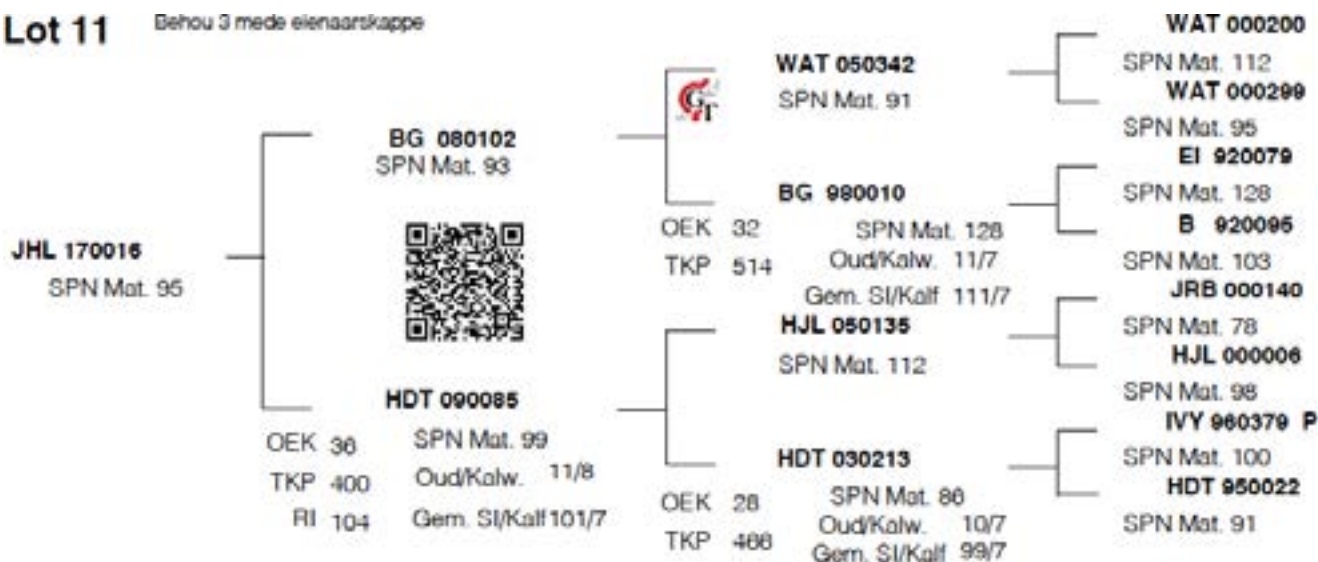
Moeder HDT 090085

DIRECT CALF TRAITS			DAUGHTER TRAITS			GROWTH		EFF.	REP	MEASURE-MENTS	R:	
Progeny Birth Weight	Progeny Wean Weight		Ease of Calving	Milk prod.	Mature Weight	Post Wean Weight	Daily Gain	Feed Conv		Height & Length		
Breeding Value Indexes												
Birth Dir	Wean Dir		Birth Mat	Wean Mat	Mat Wgt	Post Wean	ADG	FCR	SC	Hgt	Lgt	LHR
Acc	Acc		Acc	Acc	Acc	Acc	Acc	Acc	Acc	Acc	Acc	BWR
												WWR
Wgt kg	Wgt kg	Ind	kg	kg	kg	365d Ind	540d Ind	Ind	Ind	(mm)	(mm)	(mm)

98	122	103	95	124	123	119	114	112	91	101	1.18	
1.26	23.5	-0.32	2.5	36.0	37.7	187	-75	19.5	-6	16	-	
79	75	60	62	51	66	69	30	78	77	75		
38	201	102			-		94	-	357	1139	1339	44.9

Lot 11

Behou 3 mede eienaarskappe



BKB

The Trusted Home of Agriculture
Die Betroubare Tuiste van Landbou

Bulle

BOSHOFF- & BLOEMENDAL BONSMARAS

LOT 12 CKB 17 053



CKB 170053 / SP

Bloemendal Bk

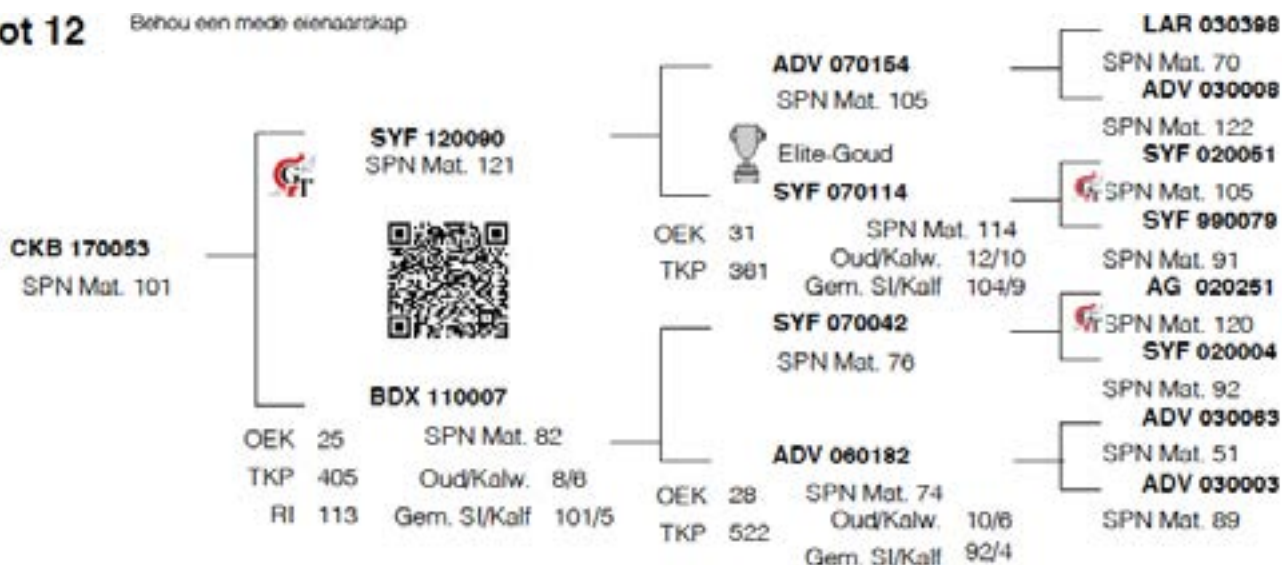
Geboorte 2017-10-05
datum:

Vader SYF 120090

Moeder BDX 110007

DIRECT CALF TRAITS			DAUGHTER TRAITS			GROWTH		EFF.	REP	MEASURE-MENTS	R:		
Progeny Birth Weight	Progeny Wean Weight		Ease of Calving	Milk prod.	Mature Weight	Post Wean Weight	Daily Gain	Feed Conv		Height & Length			
Breeding Value Indexes													
Birth Dir	Wean Dir		Birth Mat	Wean Mat	Mat Wgt	Post Wean	ADG	FCR	SC	Hgt	Lgt	LHR	
Acc	Acc		Acc	Acc	Acc	Acc	Acc	Acc	Acc	Acc	Acc	BWR	
												WWR	
Wgt kg	Wgt kg	Ind	kg	kg	kg	365d Ind	540d Ind	Ind	Ind	(mm)	(mm)	(mm)	
104	104		93	101	100	109	105	98	86	93	98	1.18	
0.60	15.1		0.15	4.2	10.0	28.1	119	-42	-1.5	-4	12	6.63	
78	75		58	60	50	64	69	42	76	77	74		
33	213	98				-		114	-	327	1203	1421	41.3

Lot 12 Behou een mede-eienaarskap



BKB

The Trusted Home of Agriculture
Die Betroubare Tuiste van Landbou

Bulle

BOSHOFF- & BLOEMENDAL BONSMARAS

LOT 13 CKB 17 056



[Kliek vir video](#)

CKB 170056 / SP

Bloemendal Bk

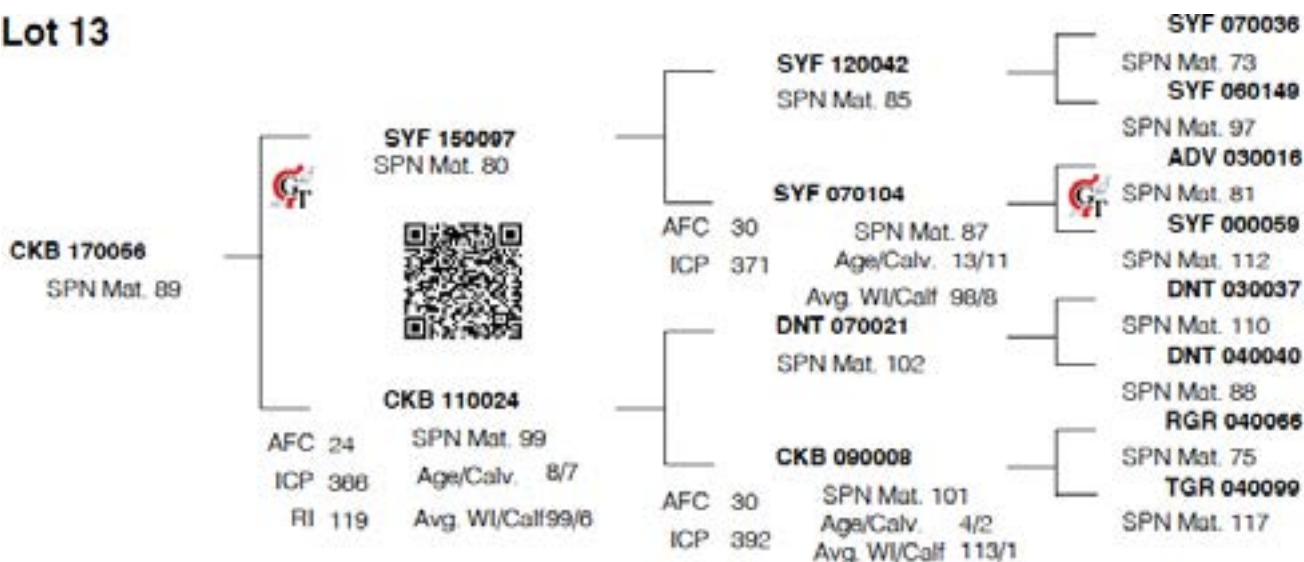
Geboorte 2017-10-07
datum:

Vader SYF 150097

Moeder CKB 110024

DIRECT CALF TRAITS			DAUGHTER TRAITS			GROWTH		EFF.	REP	MEASURE-MENTS			R:
Progeny Birth Weight	Progeny Wean Weight		Ease of Calving	Milk prod.	Mature Weight	Post Wean Weight	Daily Gain	Feed Conv		Height & Length			
Breeding Value Indexes													
Birth Dir	Wean Dir		Birth Mat	Wean Mat	Mat Wgt	Post Wean	ADG	FCR	SC	Hgt	Lgt	LHR	
Acc	Acc		Acc	Acc	Acc	Acc	Acc	Acc	Acc	Acc	Acc	BWR	
Wgt kg	Wgt kg	Ind	kg	kg	kg	365d Ind	540d Ind	Ind	Ind	(mm)	(mm)	(mm)	WWR
94	120		76	89	110	128	120	99	102	121	127	1.23	
1.62	22.8		0.93	0.8	21.0	41.8	190	-45	11.2	19	52	8.75	
77	73		50	58	41	58	68	17	75	77	74		
42	238	107				-		113	-	337	1234	1522	46.9

Lot 13



Bulle

BOSHOFF- & BLOEMENDAL BONSMARAS

LOT 15 CKB 17 059



Kliek vir video

CKB 170059 / SP

Bloemendal Bk

Geboorte 2017-10-09
datum:

Vader AG 130024

Moeder CKB 140015

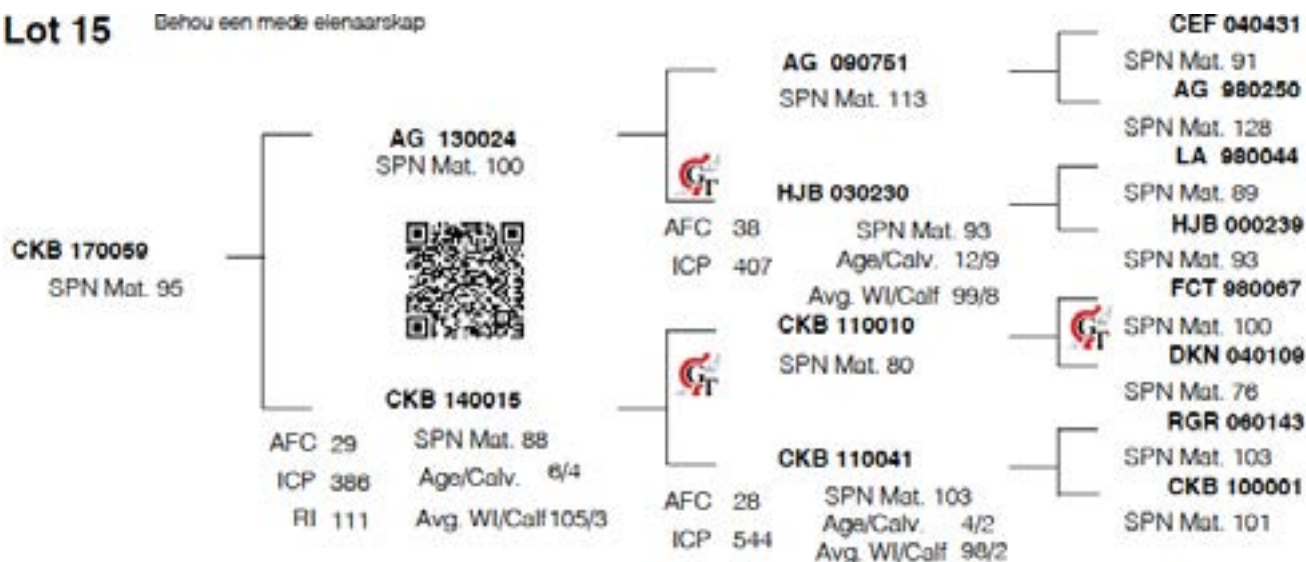
DIRECT CALF TRAITS			DAUGHTER TRAITS			GROWTH		EFF.	REP	MEASURE-MENTS	R:
Progeny Birth Weight	Progeny Wean Weight		Ease of Calving	Milk prod.	Mature Weight	Post Wean Weight	Daily Gain	Feed Conv		Height & Length	

Breeding Value Indexes

Birth Dir	Wean Dir	Birth Mat	Wean Mat	Mat Wgt	Post Wean	ADG	FCR	SC	Hgt	Lgt	LHR	
Acc	Acc	Acc	Acc	Acc	Acc	Acc	Acc	Acc	Acc	Acc	BWR	
Wgt kg	Wgt kg	Ind	kg	kg	kg	365d Ind	540d Ind	Ind	Ind	(mm)	(mm)	WWR

122	82	103	95	66	87	101	106	109	69	81	1.19
-1.35	5.0	-0.31	2.6	-28.0	12.4	100	-60	16.8	-24	-13	7.62
78	71	56	57	43	82	68	25	75	76	74	
32	202	103			-	101	-	375	1125	1343	51.8

Lot 15 Behou een mede eiensarskap



The Trusted Home of Agriculture
Die Betroubare Tuiste van Landbou

Bulle

BOSHOFF- & BLOEMENDAL BONSMARAS

LOT 16 JHL 17 055



JHL 17 055 / SP

Jan Boshoff Bdy

Geboorte 2017-05-18
datum:

Vader HDT 080015

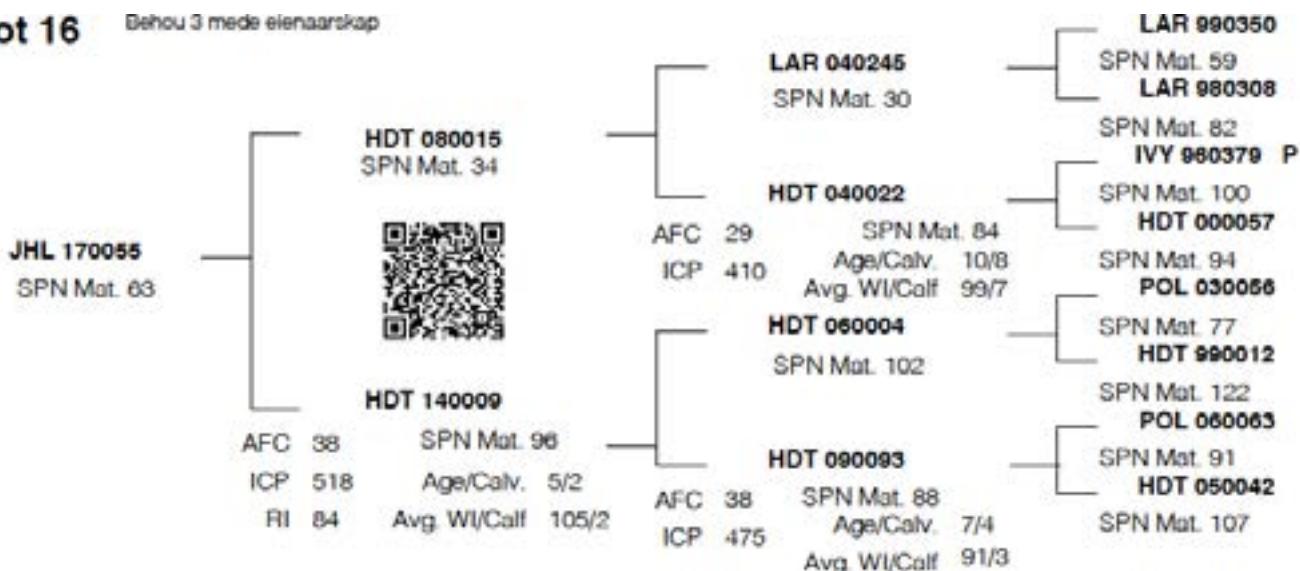
Moeder HDT 140009

DIRECT CALF TRAITS			DAUGHTER TRAITS			GROWTH		EFF.	REP	MEASURE-MENTS	R:	
Progeny Birth Weight	Progeny Wean Weight		Ease of Calving	Milk prod.	Mature Weight	Post Wean Weight	Daily Gain	Feed Conv		Height & Length		
Breeding Value Indexes												
Birth Dir	Wean Dir		Birth Mat	Wean Mat	Mat Wgt	Post Wean	ADG	FCR	SC	Hgt	Lgt	LHR
Acc	Acc		Acc	Acc	Acc	Acc	Acc	Acc	Acc	Acc	Acc	BWR
												WWR
Wgt kg	Wgt kg	Ind	kg	kg	kg	365d Ind	540d Ind	Ind	Ind	(mm)	(mm)	(mm)

100	108	102	63	97	100	90	93	96	105	103	1.19
1.07	17.2	-0.30	-6.5	6.0	21.6	52	-32	6.1	6	19	-
78	73	51	54	45	62	67	16	75	76	73	
37	195	106			-	99	-	321	1126	1335	54.9

Lot 16

Behou 3 mede eiensarskap



BKB

The Trusted Home of Agriculture
Die Betroubare Tuiste van Landbou

Bulle

BOSHOFF- & BLOEMENDAL BONSMARAS

LOT 17 CHC 17 052



CHC 170052 / B

Boshoff Bonsmaras

Geboorte 2017-06-05
datum:

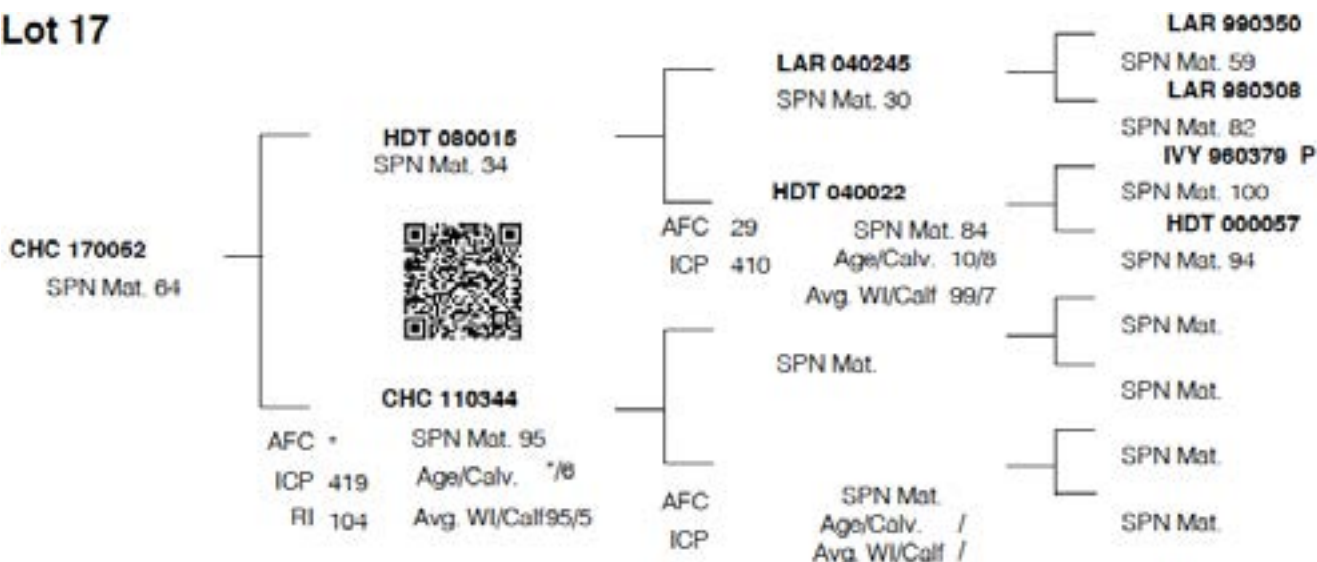
Vader HDT 080015

Moeder CHC 110344

DIRECT CALF TRAITS			DAUGHTER TRAITS			GROWTH		EFF.	REP	MEASURE-MENTS	R:	
Progeny Birth Weight	Progeny Wean Weight		Ease of Calving	Milk prod.	Mature Weight	Post Wean Weight	Daily Gain	Feed Conv		Height & Length		
Breeding Value Indexes												
Birth Dir	Wean Dir		Birth Mat	Wean Mat	Mat Wgt	Post Wean	ADG	FCR	SC	Hgt	Lgt	LHR
Acc	Acc		Acc	Acc	Acc	Acc	Acc	Acc	Acc	Acc	Acc	BWR
												WWR
Wgt kg	Wgt kg	Ind	kg	kg	kg	365d Ind	540d Ind	Ind	Ind	(mm)	(mm)	(mm)

97	109	95	64	95	109	105	99	98	108	112	1.22
1.35	17.6	0.03	-6.2	5.0	27.8	121	-44	8.1	8	31	-
75	70	53	56	35	56	66	14	74	75	72	
38	239	96			-	108	-	336	1154	1405	43.5

Lot 17



BKB

The Trusted Home of Agriculture
Die Betroubare Tuiste van Landbou

Bulle

BOSHOFF- & BLOEMENDAL BONSMARAS

LOT 18 JHL 17 036



JHL 17 036 / SP

Jan Boshoff Bdy

Opmerking: Poena (P)

Geboorte 2017-04-25
datum:

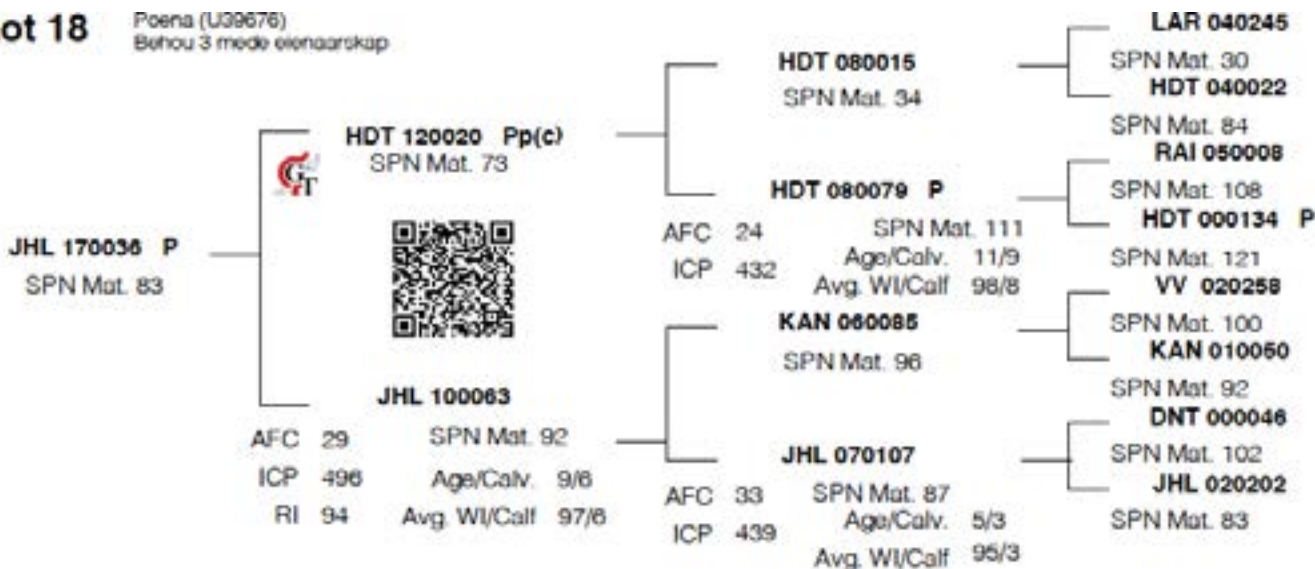
Vader HDT 120020

Moeder JHL 100063

DIRECT CALF TRAITS			DAUGHTER TRAITS			GROWTH		EFF.	REP	MEASUREMENTS			R:
Progeny Birth Weight	Progeny Wean Weight		Ease of Calving	Milk prod.	Mature Weight	Post Wean Weight	Daily Gain	Feed Conv		Height & Length			
Breeding Value Indexes													
Birth Dir	Wean Dir		Birth Mat	Wean Mat	Mat Wgt	Post Wean	ADG	FCR	SC	Hgt	Lgt	LHR	
Acc	Acc		Acc	Acc	Acc	Acc	Acc	Acc	Acc	Acc	Acc	BWR	
Wgt kg	Wgt kg	Ind	kg	kg	kg	365d Ind	540d Ind	Ind	Ind	(mm)	(mm)	(mm)	WWR
100	97		100	83	91	97	92	92	97	111	107	1.18	
0.97	11.8		-0.21	-1.0	-1.0	20.0	59	-29	7.2	11	24	-	
77	73		54	56	41	83	68	16	75	77	74		
37	186	94				-		94	-	352	1175	1386	45.7

Lot 18

Poena (U09676)
Behou 3 mede eienarskap



Bulle

BOSHOFF- & BLOEMENDAL BONSMARAS

LOT 20 FTB 17 021



FTB 17 021 / SP

Frantasha Bonsmaras

Geboorte 2017-09-25
datum:

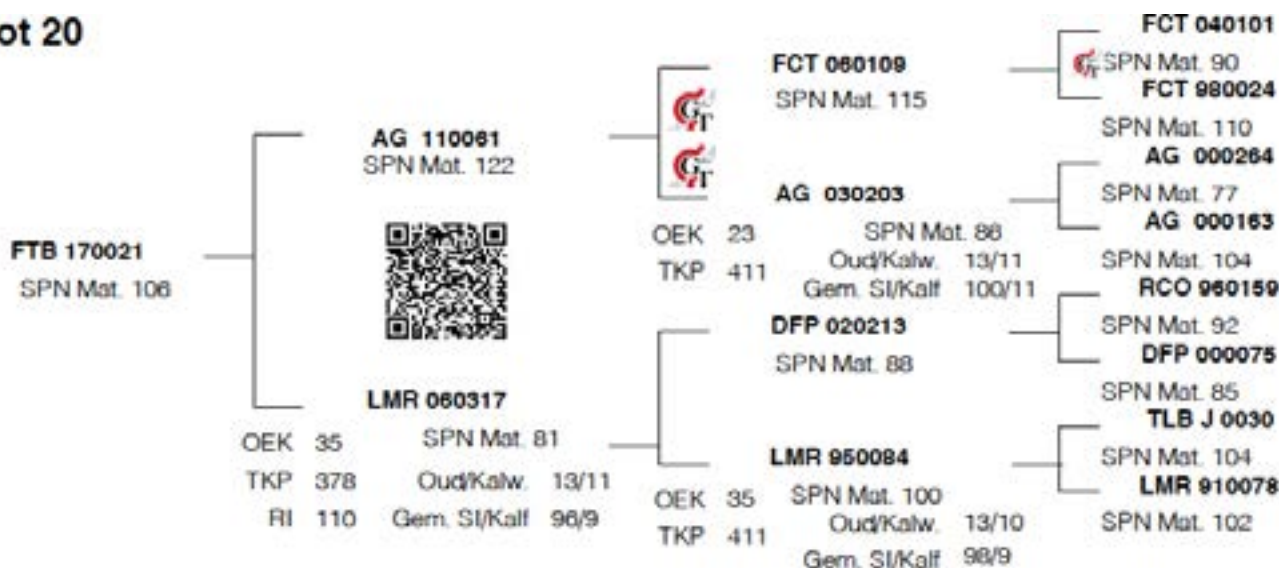
Vader AG 110061

Moeder LMR 060317

DIRECT CALF TRAITS			DAUGHTER TRAITS			GROWTH		EFF.	REP	MEASURE-MENTS	R:	
Progeny Birth Weight	Progeny Wean Weight		Ease of Calving	Milk prod.	Mature Weight	Post Wean Weight	Daily Gain	Feed Conv		Height & Length		
Breeding Value Indexes												
Birth Dir	Wean Dir		Birth Mat	Wean Mat	Mat Wgt	Post Wean	ADG	FCR	SC	Hgt	Lgt	LHR
Acc	Acc		Acc	Acc	Acc	Acc	Acc	Acc	Acc	Acc	Acc	BWR
												WWR
Wgt kg	Wgt kg	Ind	kg	kg	kg	365d Ind	540d Ind	Ind	Ind	(mm)	(mm)	(mm)

98	99	103	106	95	107	100	91	105	88	104	-
1.19	12.9	-0.34	5.5	5.0	27.0	98	-28	13.6	-8	20	8.87
78	73	59	61	43	68	55	27	58	59	58	
44	198	95			100	105	-	-	-	-	37.6

Lot 20



BKB

The Trusted Home of Agriculture
Die Betroubare Tuiste van Landbou

Bulle

BOSHOFF- & BLOEMENDAL BONSMARAS

LOT 22 CKB 17 028



CKB 170028 / SP

Bloemendal Bk

Geboorte 2017-09-26
datum:

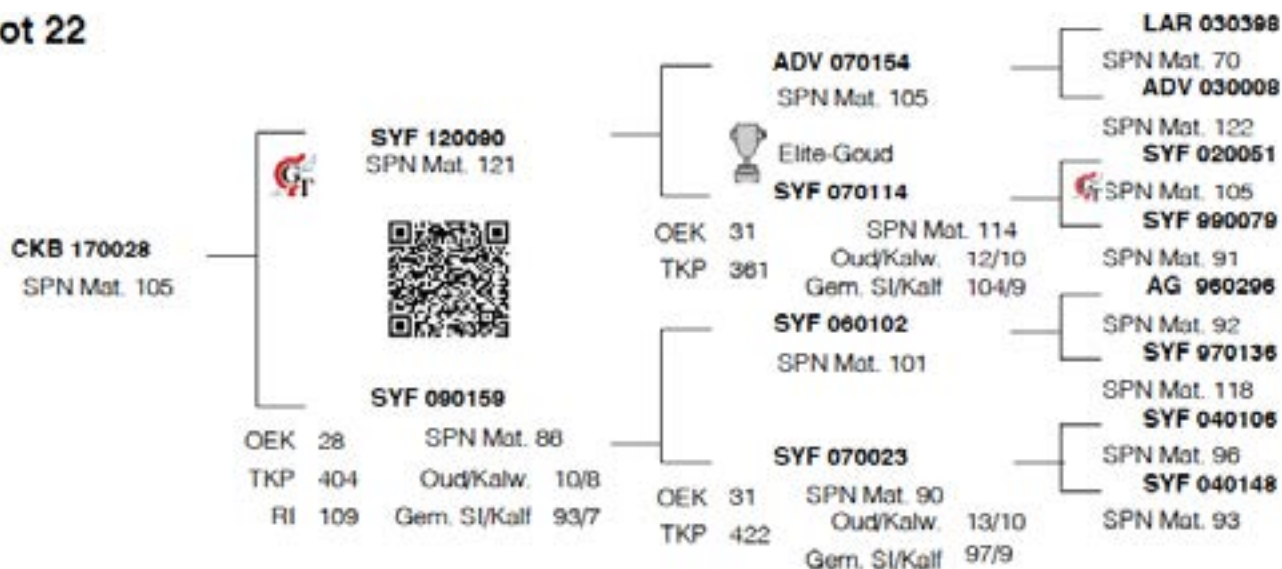
Vader SYF 120090

Moeder SYF 090159

DIRECT CALF TRAITS			DAUGHTER TRAITS			GROWTH		EFF.	REP	MEASURE-MENTS	R:	
Progeny Birth Weight	Progeny Wean Weight		Ease of Calving	Milk prod.	Mature Weight	Post Wean Weight	Daily Gain	Feed Conv		Height & Length		
Breeding Value Indexes												
Birth Dir	Wean Dir		Birth Mat	Wean Mat	Mat Wgt	Post Wean	ADG	FCR	SC	Hgt	Lgt	LHR
Acc	Acc		Acc	Acc	Acc	Acc	Acc	Acc	Acc	Acc	Acc	BWR
												WWR
Wgt kg	Wgt kg	Ind	kg	kg	kg	365d Ind	540d Ind	Ind	Ind	(mm)	(mm)	(mm)

93	103	82	105	80	109	113	100	101	93	100	1.22
1.80	14.7	0.65	5.2	-13.0	28.0	160	-47	10.2	-4	14	-
79	75	60	61	49	66	66	41	75	77	74	
41	213	94			-	107	-	363	1169	1426	42.1

Lot 22



Bulle

BOSHOFF- & BLOEMENDAL BONSMARAS

LOT 23 CHC 17 006



CHC 170006 / B

Boshoff Bonsmaras

Geboorte 2017-04-04
datum:

Vader JHL 120154

Moeder CHC 110063

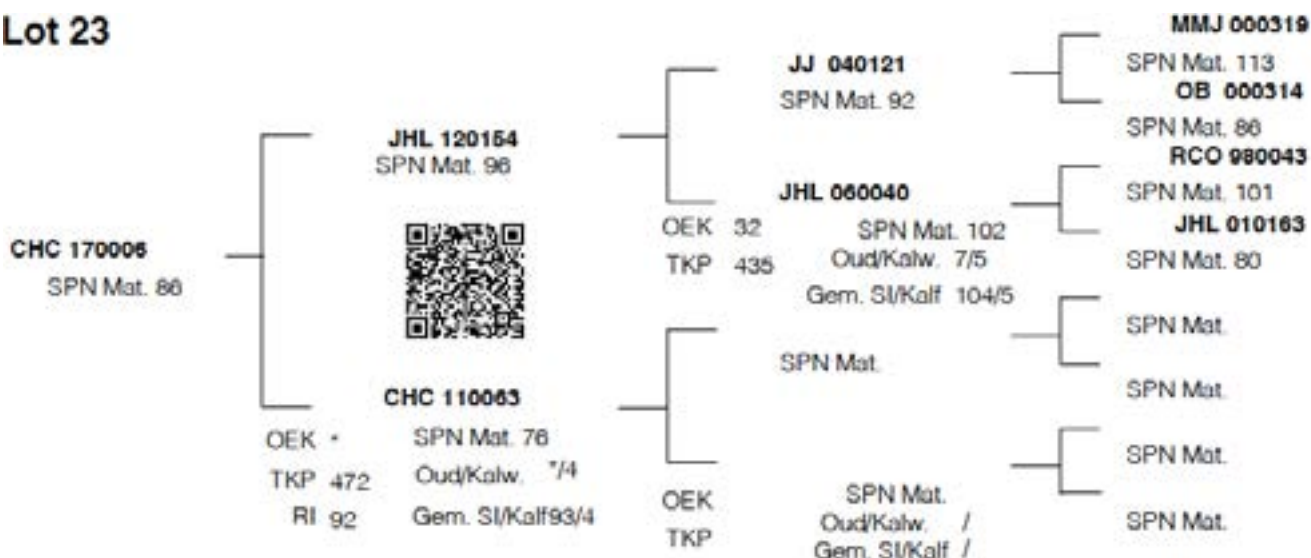
DIRECT CALF TRAITS			DAUGHTER TRAITS			GROWTH		EFF.	REP	MEASUREMENTS	R:
Progeny Birth Weight	Progeny Wean Weight		Ease of Calving	Milk prod.	Mature Weight	Post Wean Weight	Daily Gain	Feed Conv		Height & Length	

Breeding Value Indexes

Birth Dir	Wean Dir	Birth Mat	Wean Mat	Mat Wgt	Post Wean	ADG	FCR	SC	Hgt	Lgt	LHR	
Acc	Acc	Acc	Acc	Acc	Acc	Acc	Acc	Acc	Acc	Acc	BWR	
											WWR	
Wgt kg	Wgt kg	Ind	kg	kg	kg	365d Ind	540d Ind	Ind	Ind	(mm)	(mm)	(mm)

103	94	82	86	96	99	99	91	96	86	92	1.17
0.70	10.8	0.65	-0.2	6.0	20.9	94	-28	6.8	-10	3	-
72	86	43	48	24	50	63	18	72	74	71	
38	209	99			-	114	-	333	1166	1365	40.1

Lot 23



Bulle

BOSHOFF- & BLOEMENDAL BONSMARAS

LOT 24 CHC 17 166



CHC 170166 / B

Boshoff Bonsmaras

Geboorte 2017-09-29
datum:

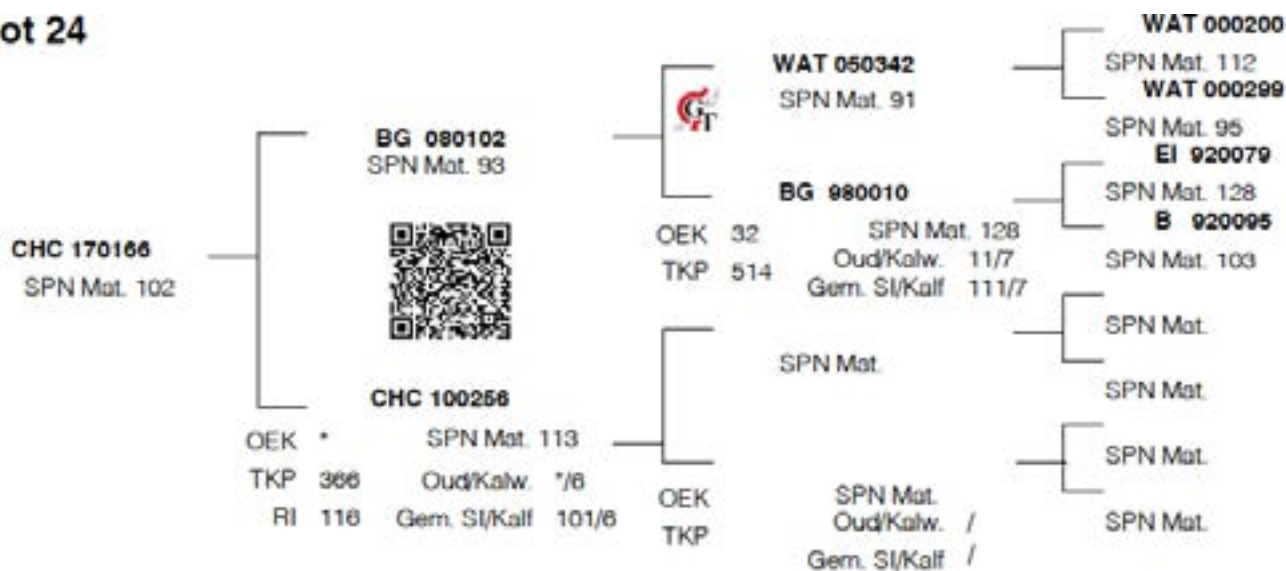
Vader BG 080102

Moeder CHC 100256

DIRECT CALF TRAITS			DAUGHTER TRAITS			GROWTH		EFF.	REP	MEASURE-MENTS	R:	
Progeny Birth Weight	Progeny Wean Weight		Ease of Calving	Milk prod.	Mature Weight	Post Wean Weight	Daily Gain	Feed Conv		Height & Length		
Breeding Value Indexes												
Birth Dir	Wean Dir		Birth Mat	Wean Mat	Mat Wgt	Post Wean	ADG	FCR	SC	Hgt	Lgt	LHR
Acc	Acc		Acc	Acc	Acc	Acc	Acc	Acc	Acc	Acc	Acc	BWR
												WWR
Wgt kg	Wgt kg	Ind	kg	kg	kg	365d Ind	540d Ind	Ind	Ind	(mm)	(mm)	(mm)

101	118	104	102	119	121	126	112	106	129	123	1.17
0.89	21.8	-0.37	4.6	31.0	36.5	221	-71	14.2	26	47	-
75	68	56	59	41	58	67	28	75	77	74	
37	243	104			-	109	-	327	1197	1405	47.9

Lot 24



BKB

The Trusted Home of Agriculture
Die Betroubare Tuiste van Landbou

Bulle

BOSHOFF- & BLOEMENDAL BONSMARAS

LOT 25 CKB 17 084



CKB 170084 / SP

Bloemendal Bk

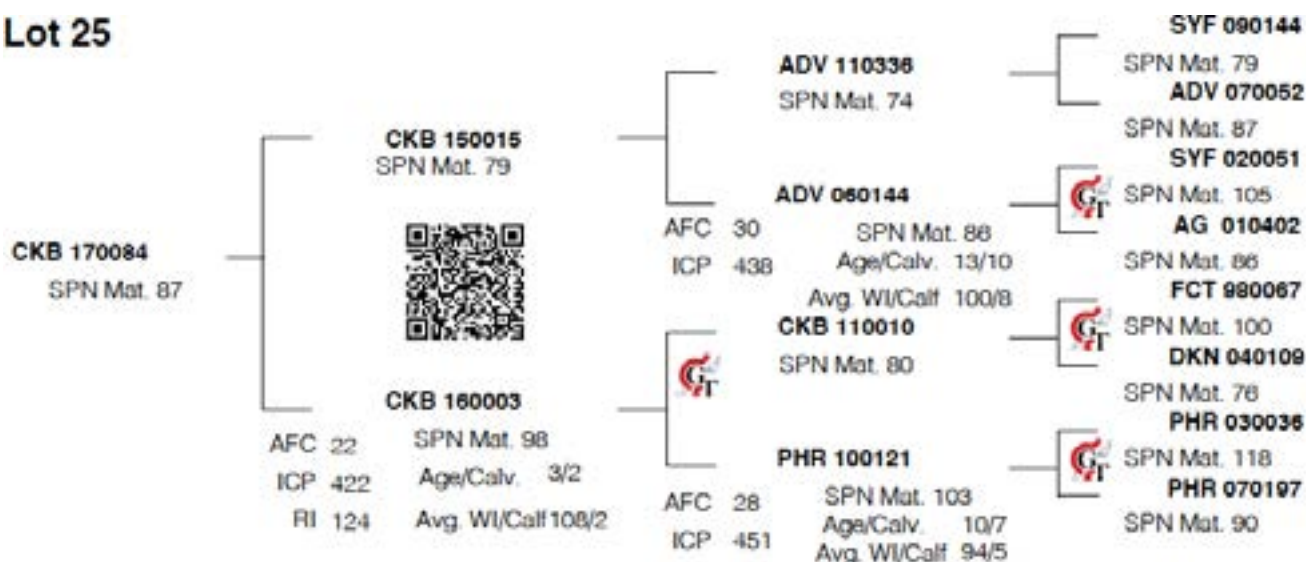
Geboorte 2017-11-05
datum:

Vader CKB 150015

Moeder CKB 160003

DIRECT CALF TRAITS			DAUGHTER TRAITS			GROWTH		EFF.	REP	MEASUREMENTS	R:		
Progeny Birth Weight	Progeny Wean Weight		Ease of Calving	Milk prod.	Mature Weight	Post Wean Weight	Daily Gain	Feed Conv		Height & Length			
Breeding Value Indexes													
Birth Dir	Wean Dir		Birth Mat	Wean Mat	Mat Wgt	Post Wean	ADG	FCR	SC	Hgt	Lgt	LHR	
Acc	Acc		Acc	Acc	Acc	Acc	Acc	Acc	Acc	Acc	Acc	BWR	
												WWR	
Wgt kg	Wgt kg	Ind	kg	kg	kg	365d Ind	540d Ind	Ind	Ind	(mm)	(mm)	(mm)	
127	94		110	87	106	99	106	93	119	99	106	1.21	
-1.80	10.7		-0.64	0.1	17.0	21.4	127	-31	24.9	1	23	9.52	
75	60		45	48	40	56	64	20	73	74	71		
28	242	105				-		111	-	367	1197	1448	64.9

Lot 25



BKB

The Trusted Home of Agriculture
Die Betroubare Tuiste van Landbou

Bulle

BOSHOFF- & BLOEMENDAL BONSMARAS

LOT 27 CHC 17 054



CHC 170054 / B

Boshoff Bonsmaras

Geboorte 2017-06-13
datum:

Vader HDT 080015

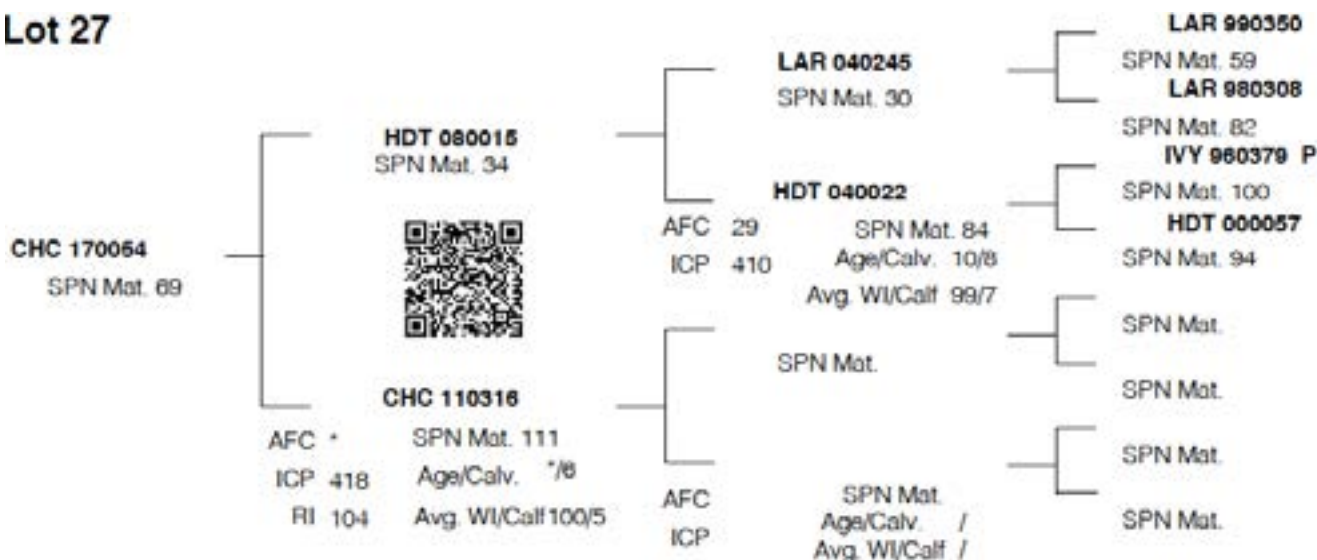
Moeder CHC 110316

DIRECT CALF TRAITS			DAUGHTER TRAITS			GROWTH		EFF.	REP	MEASURE-MENTS	R:
Progeny Birth Weight	Progeny Wean Weight		Ease of Calving	Milk prod.	Mature Weight	Post Wean Weight	Daily Gain	Feed Conv		Height & Length	

Breeding Value Indexes													
Birth Dir	Wean Dir		Birth Mat	Wean Mat	Mat Wgt	Post Wean		ADG	FCR	SC	Hgt	Lgt	LHR
Acc	Acc		Acc	Acc	Acc	Acc		Acc	Acc	Acc	Acc	Acc	BWR
Wgt kg	Wgt kg	Ind	kg	kg	kg	365d Ind	540d Ind	Ind	Ind	(mm)	(mm)	(mm)	WWR

97	120	106	69	104	113	113	105	118	136	127	1.17
1.33	22.5	-0.46	-4.9	14.0	31.0	158	-58	24.0	31	52	-
75	70	53	58	35	58	66	14	74	76	73	
37	273	113			-	97	-	360	1208	1409	46.7

Lot 27



Bulle

BOSHOFF- & BLOEMENDAL BONSMARAS

LOT 28 CHC 17 042



CHC 170042 / B

Boshoff Bonsmaras

Geboorte 2017-05-21
datum:

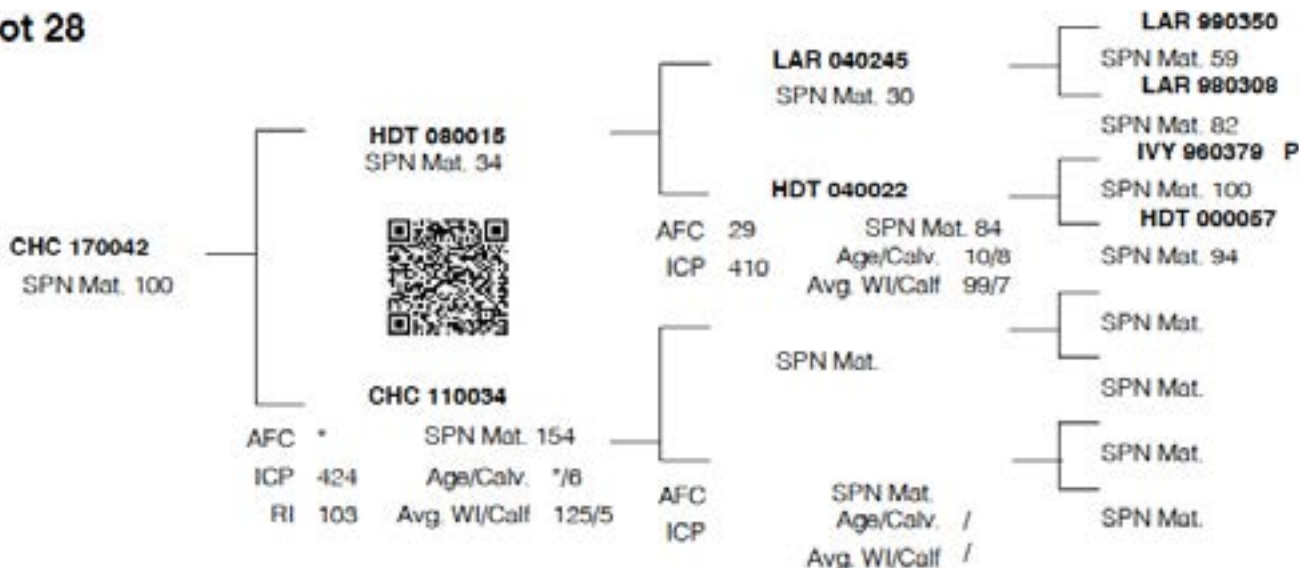
Vader HDT 080015

Moeder CHC 110034

DIRECT CALF TRAITS			DAUGHTER TRAITS			GROWTH		EFF.	REP	MEASUREMENTS	R:	
Progeny Birth Weight	Progeny Wean Weight		Ease of Calving	Milk prod.	Mature Weight	Post Wean Weight	Daily Gain	Feed Conv		Height & Length		
Breeding Value Indexes												
Birth Dir	Wean Dir		Birth Mat	Wean Mat	Mat Wgt	Post Wean	ADG	FCR	SC	Hgt	Lgt	LHR
Acc	Acc		Acc	Acc	Acc	Acc	Acc	Acc	Acc	Acc	Acc	BWR
												WWR
Wgt kg	Wgt kg	Ind	kg	kg	kg	365d Ind	540d Ind	Ind	Ind	(mm)	(mm)	(mm)

89	130	107	100	114	124	121	113	122	132	134	1.21
2.15	27.1	-0.51	4.0	26.0	38.9	198	-74	27.1	28	61	-
75	70	53	58	35	57	67	14	75	76	73	
37	284	118			-	99	-	358	1197	1447	57.8

Lot 28



The Trusted Home of Agriculture
Die Betroubare Tuiste van Landbou

Bulle

BOSHOFF- & BLOEMENDAL BONSMARAS

LOT 29 CHC 17 076



CHC 170076 / B

Boshoff Bonsmaras

Geboorte 2017-10-21
datum:

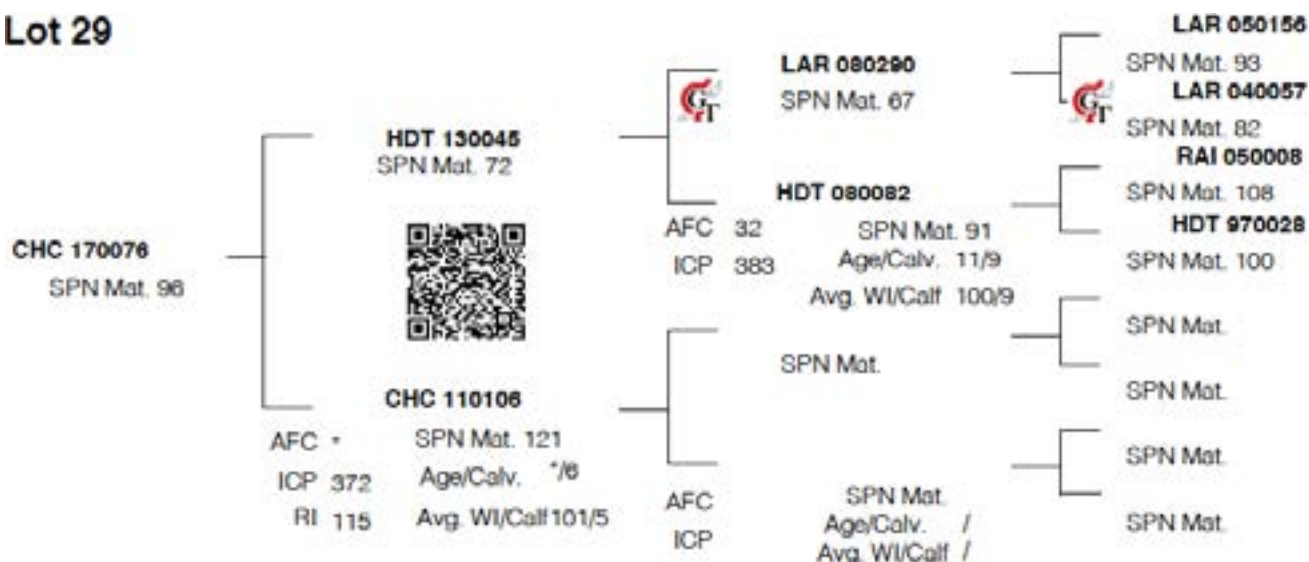
Vader HDT 130045

Moeder CHC 110106

DIRECT CALF TRAITS			DAUGHTER TRAITS			GROWTH		EFF.	REP	MEASUREMENTS	R:	
Progeny Birth Weight	Progeny Wean Weight		Ease of Calving	Milk prod.	Mature Weight	Post Wean Weight	Daily Gain	Feed Conv		Height & Length		
Breeding Value Indexes												
Birth Dir	Wean Dir		Birth Mat	Wean Mat	Mat Wgt	Post Wean	ADG	FCR	SC	Hgt	Lgt	LHR
Acc	Acc		Acc	Acc	Acc	Acc	Acc	Acc	Acc	Acc	Acc	BWR
												WWR
Wgt kg	Wgt kg	Ind	kg	kg	kg	365d Ind	540d Ind	Ind	Ind	(mm)	(mm)	(mm)

101	114	91	96	115	108	104	104	105	100	109	1.18
0.89	19.6	0.23	2.8	26.0	27.8	114	-56	14.0	2	27	-
74	69	48	51	24	54	65	25	73	75	72	
37	227	100			-	96	-	333	1147	1357	45.8

Lot 29



BKB

The Trusted Home of Agriculture
Die Betroubare Tuiste van Landbou

Bulle

BOSHOFF- & BLOEMENDAL BONSMARAS

LOT 30 CKB 17 122



CKB 17 122 / SP

Bloemendal Bk

Geboorte 2017-12-31
datum:

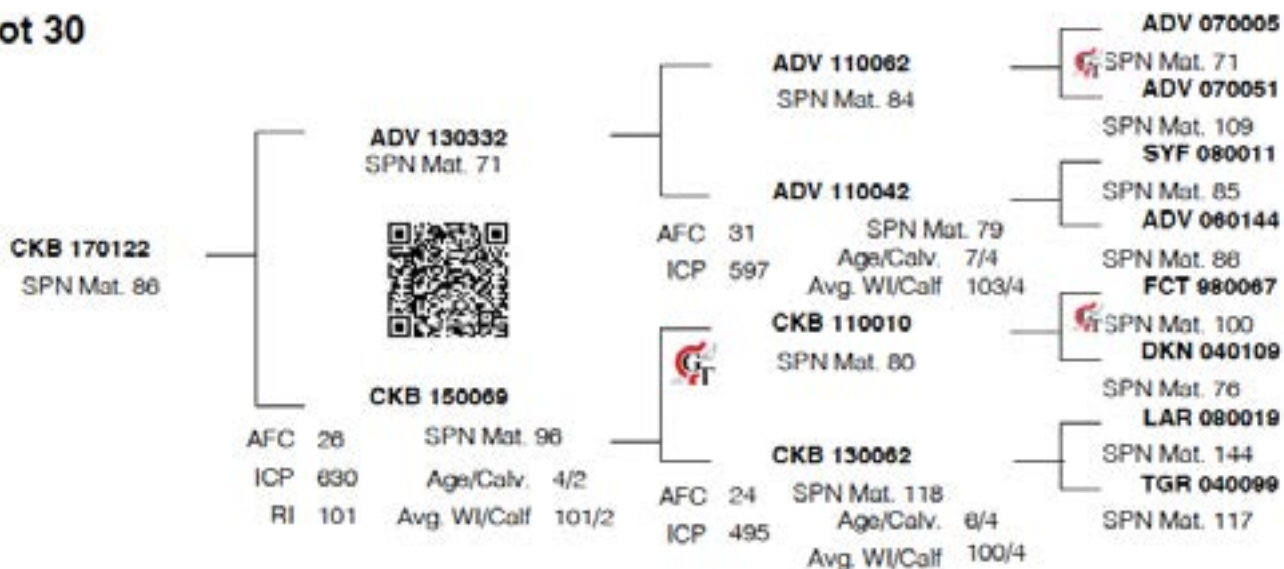
Vader ADV 130332

Moeder CKB 150069

DIRECT CALF TRAITS			DAUGHTER TRAITS			GROWTH		EFF.	REP	MEASURE-MENTS	R:	
Progeny Birth Weight	Progeny Wean Weight		Ease of Calving	Milk prod.	Mature Weight	Post Wean Weight	Daily Gain	Feed Conv		Height & Length		
Breeding Value Indexes												
Birth Dir	Wean Dir		Birth Mat	Wean Mat	Mat Wgt	Post Wean	ADG	FCR	SC	Hgt	Lgt	LHR
Acc	Acc		Acc	Acc	Acc	Acc	Acc	Acc	Acc	Acc	Acc	BWR
												WWR
Wgt kg	Wgt kg	Ind	kg	kg	kg	365d Ind	540d Ind	Ind	Ind	(mm)	(mm)	(mm)

106	93	98	86	85	91	86	94	82	76	88	1.2
0.43	10.1	-0.11	0.0	-7.0	15.3	33	-34	-4.7	-18	-2	12.46
75	56	47	48	39	58	64	18	73	74	71	
44	187	100			-	98	-	317	1116	1335	-

Lot 30



Bulle

BOSHOFF- & BLOEMENDAL BONSMARAS

LOT 31 CKB 17 097



CKB 170097 / SP

Bloemendal Bk

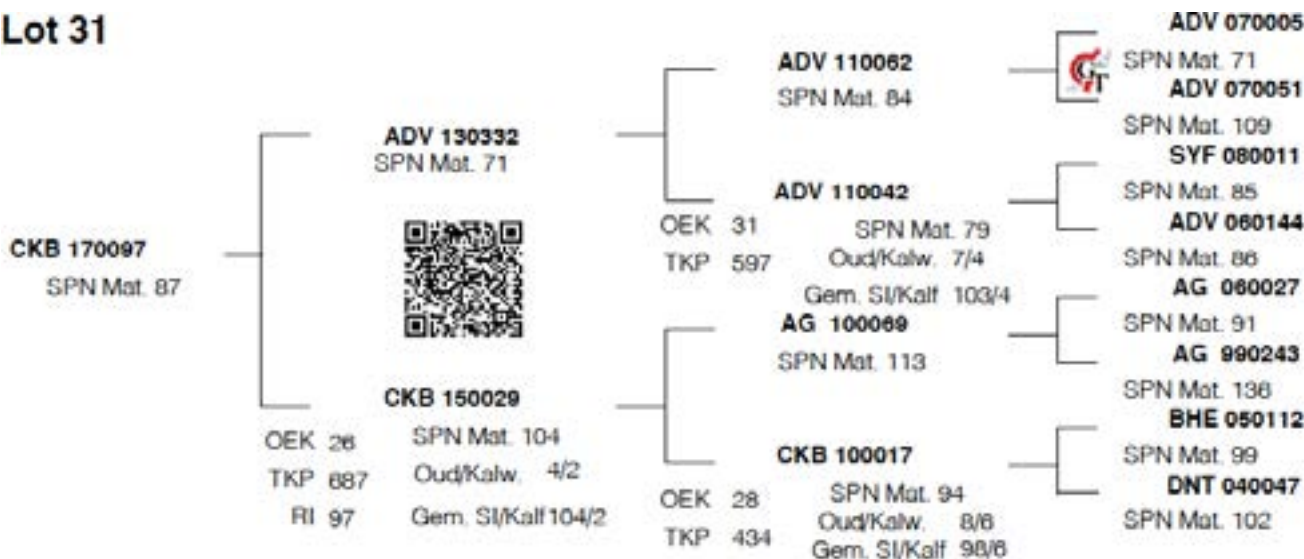
Geboorte 2017-11-21
datum:

Vader ADV 130332

Moeder CKB 150029

DIRECT CALF TRAITS			DAUGHTER TRAITS			GROWTH		EFF.	REP	MEASUREMENTS	R:		
Progeny Birth Weight	Progeny Wean Weight		Ease of Calving	Milk prod.	Mature Weight	Post Wean Weight	Daily Gain	Feed Conv		Height & Length			
Breeding Value Indexes													
Birth Dir	Wean Dir		Birth Mat	Wean Mat	Mat Wgt	Post Wean	ADG	FCR	SC	Hgt	Lgt	LHR	
Acc	Acc		Acc	Acc	Acc	Acc	Acc	Acc	Acc	Acc	Acc	BWR	
Wgt kg	Wgt kg	Ind	kg	kg	kg	365d Ind	540d Ind	Ind	Ind	(mm)	(mm)	(mm)	
117	91		112	87	81	85	95	99	104	89	95	1.19	
-0.80	9.1		-0.76	0.3	-11.0	11.1	74	-45	13.0	-8	7	11.18	
75	69		47	50	41	58	66	17	73	75	72		
34	240	102				-		97	-	370	1174	1397	71.4

Lot 31



The Trusted Home of Agriculture
Die Betroubare Tuiste van Landbou

Bulle

BOSHOFF- & BLOEMENDAL BONSMARAS

LOT 32 JHL 17 124



JHL 170124 / SP

Jan Boshoff Bdy

Geboorte 2017-10-19
datum:

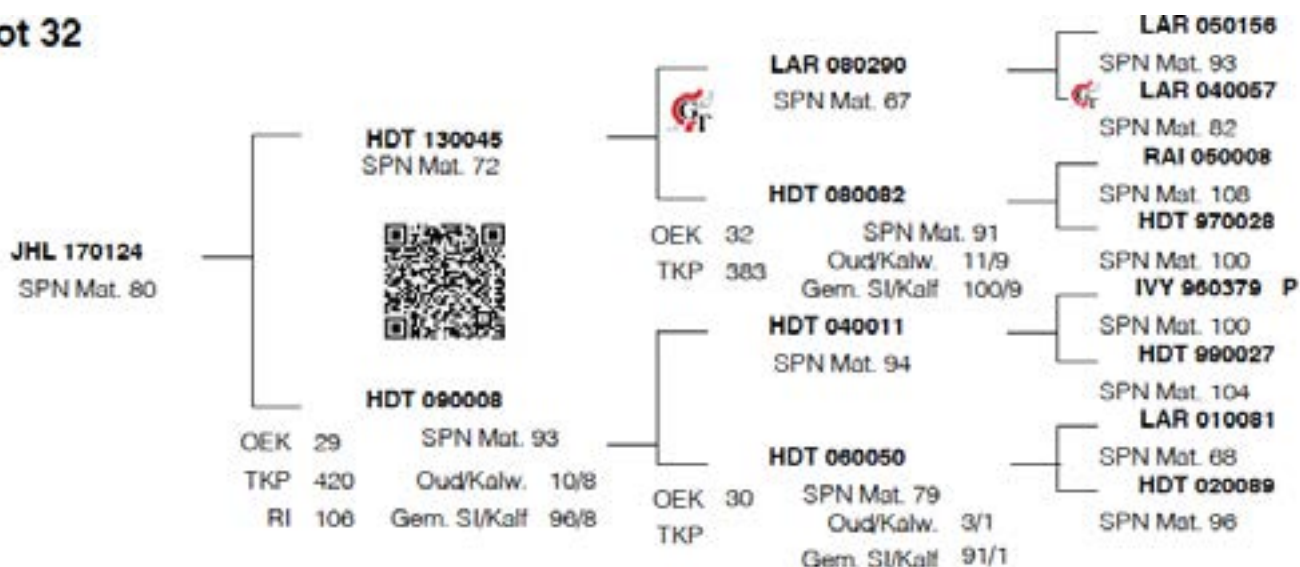
Vader HDT 130045

Moeder HDT 090008

DIRECT CALF TRAITS			DAUGHTER TRAITS			GROWTH		EFF.	REP	MEASURE-MENTS	R:	
Progeny Birth Weight	Progeny Wean Weight	Ease of Calving	Milk prod.	Mature Weight	Post Wean Weight	Daily Gain	Feed Conv			Height & Length		
Breeding Value Indexes												
Birth Dir	Wean Dir	Birth Mat	Wean Mat	Mat Wgt	Post Wean	ADG	FCR	SC	Hgt	Lgt	LHR	
Acc	Acc	Acc	Acc	Acc	Acc	Acc	Acc	Acc	Acc	Acc	BWR	
											WWR	
Wgt kg	Wgt kg	Ind	kg	kg	kg	365d Ind	540d Ind	Ind	Ind	(mm)	(mm)	(mm)

104	119	96	80	118	119	109	100	131	110	119	1.23
0.60	22.3	-0.02	-1.7	30.0	35.5	140	-46	34.3	10	40	-
78	74	51	54	37	82	67	27	75	78	73	
37	242	108			-	105	-	364	1156	1426	52.2

Lot 32



BKB

The Trusted Home of Agriculture
Die Betroubare Tuiste van Landbou

Bulle

BOSHOFF- & BLOEMENDAL BONSMARAS

LOT 34 JHL 17 050



JHL 170050 / SP

Jan Boshoff Bdy

Geboorte 2017-05-09
datum:

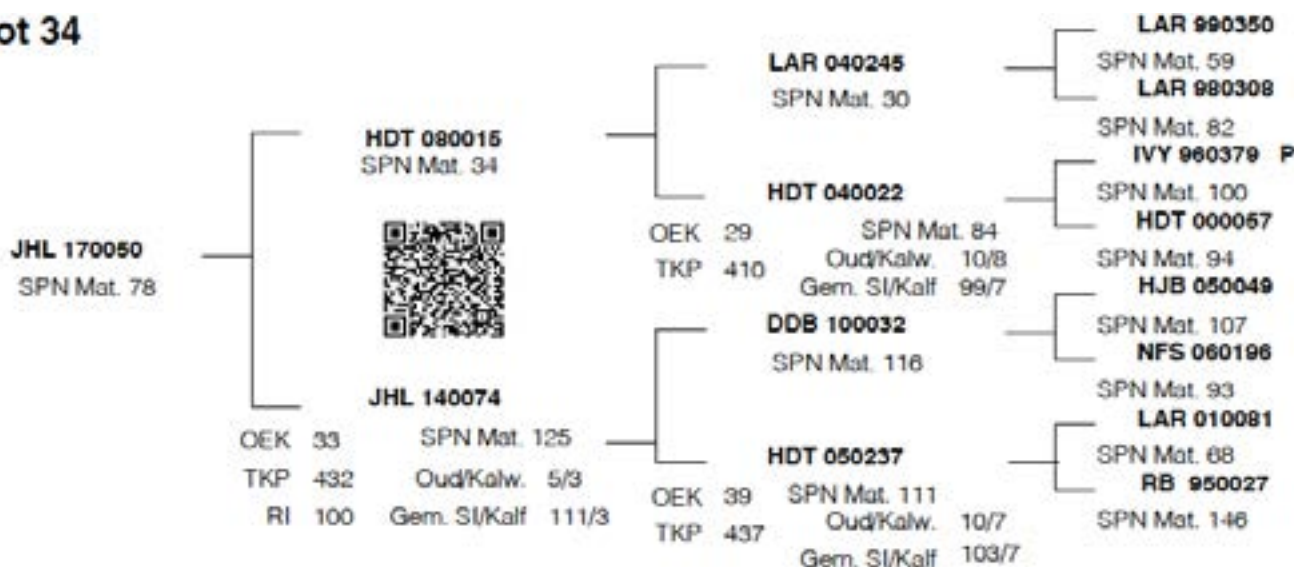
Vader HDT 080015

Moeder JHL 140074

DIRECT CALF TRAITS			DAUGHTER TRAITS			GROWTH		EFF.	REP	MEASURE-MENTS	R:		
Progeny Birth Weight	Progeny Wean Weight		Ease of Calving	Milk prod.	Mature Weight	Post Wean Weight	Daily Gain	Feed Conv		Height & Length			
Breeding Value Indexes													
Birth Dir	Wean Dir		Birth Mat	Wean Mat	Mat Wgt	Post Wean	ADG	FCR	SC	Hgt	Lgt	LHR	
Acc	Acc		Acc	Acc	Acc	Acc	Acc	Acc	Acc	Acc	Acc	BWR	
Wgt kg	Wgt kg	Ind	kg	kg	kg	365d Ind	540d Ind	Ind	Ind	(mm)	(mm)	(mm)	WWR

87	126	110	78	107	119	108	105	114	124	119	1.17
2.35	25.6	-0.67	-2.4	18.0	35.1	135	-56	21.2	22	41	-
76	72	53	56	46	62	66	19	75	77	74	
38	222	124			-	113	-	352	1162	1360	59.4

Lot 34



BKB

The Trusted Home of Agriculture
Die Betroubare Tuiste van Landbou

Bulle

BOSHOFF- & BLOEMENDAL BONSMARAS

LOT 35 CKB 16 127



CKB 160127 / SP

Bloemendal Bk

Geboorte 2016-12-19
datum:

Vader SYF 130082

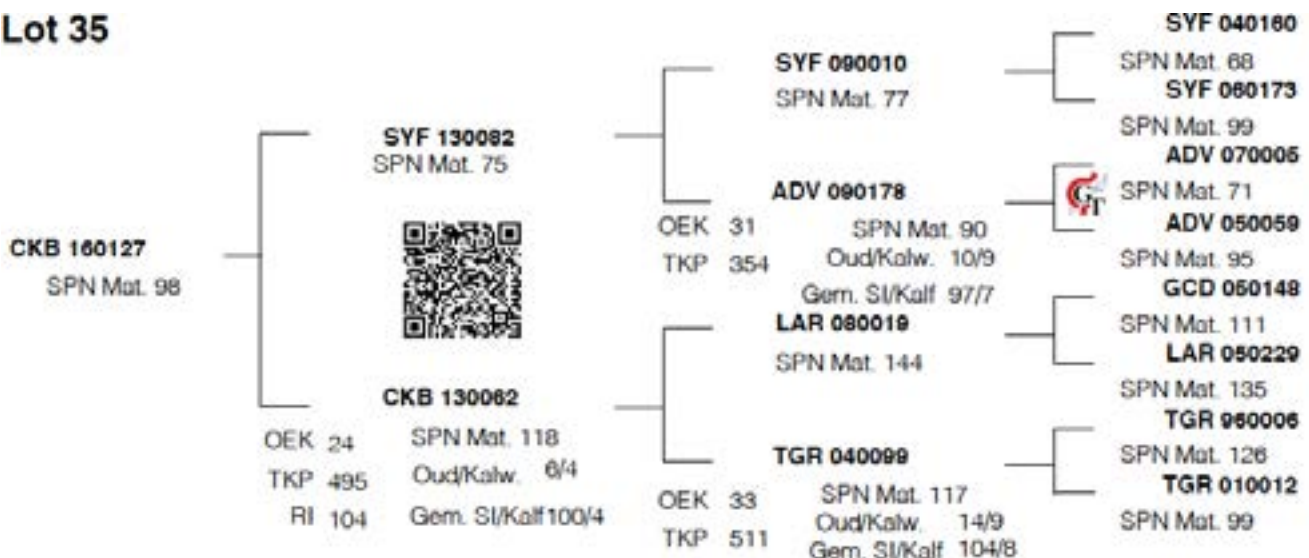
Moeder CKB 130062

DIRECT CALF TRAITS			DAUGHTER TRAITS			GROWTH		EFF.	REP	MEASURE-MENTS	R:
Progeny Birth Weight	Progeny Wean Weight		Ease of Calving	Milk prod.	Mature Weight	Post Wean Weight	Daily Gain	Feed Conv		Height & Length	

Breeding Value Indexes												
Birth Dir	Wean Dir		Birth Mat	Wean Mat	Mat Wgt	Post Wean	ADG	FCR	SC	Hgt	Lgt	LHR
Acc	Acc		Acc	Acc	Acc	Acc	Acc	Acc	Acc	Acc	Acc	BWR
Wgt kg	Wgt kg	Ind	kg	kg	kg	365d Ind	540d Ind	Ind	Ind	(mm)	(mm)	(mm)

119	76		86	98	76	78		86	100	105	69	82	1.19
-1.02	2.3		0.43	3.2	-17.0	6.5		33	-46	13.9	-24	-10	9.27
76	71		51	54	43	58		68	17	74	75	72	
38	212	103				-		96	-	340	1102	1314	53.5

Lot 35



BKB

The Trusted Home of Agriculture
Die Betroubare Tuiste van Landbou

Bulle

BOSHOFF- & BLOEMENDAL BONSMARAS

LOT 36 CKB 18 021



CKB 180021 / SP

Bloemendal Bk

Geboorte 2018-01-28
datum:

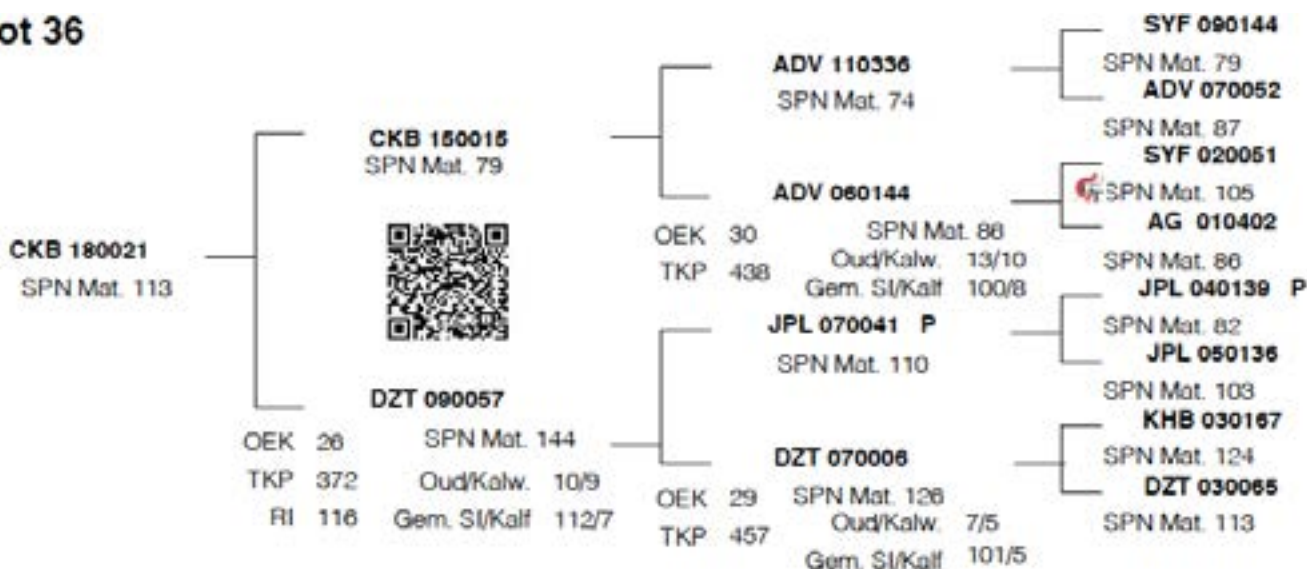
Vader CKB 150015

Moeder DZT 090057

DIRECT CALF TRAITS			DAUGHTER TRAITS			GROWTH		EFF.	REP	MEASUREMENTS	R:	
Progeny Birth Weight	Progeny Wean Weight		Ease of Calving	Milk prod.	Mature Weight	Post Wean Weight	Daily Gain	Feed Conv		Height & Length		
Breeding Value Indexes												
Birth Dir	Wean Dir		Birth Mat	Wean Mat	Mat Wgt	Post Wean	ADG	FCR	SC	Hgt	Lgt	LHR
Acc	Acc		Acc	Acc	Acc	Acc	Acc	Acc	Acc	Acc	Acc	BWR
												WWR
Wgt kg	Wgt kg	Ind	kg	kg	kg	365d Ind	540d Ind	Ind	Ind	(mm)	(mm)	(mm)

103	105	96	113	103	108	104	92	114	114	112	-
0.75	15.5	-0.02	7.4	13.0	27.6	118	-30	21.2	13	31	8.81
77	71	50	52	42	63	46	17	50	51	50	
43	200	110			121	115	-	-	-	-	-

Lot 36



BKB

The Trusted Home of Agriculture
Die Betroubare Tuiste van Landbou

Bulle

BOSHOFF- & BLOEMENDAL BONSMARAS

LOT 37 CKB 18 012



CKB 180012 / SP

Bloemendal Bk

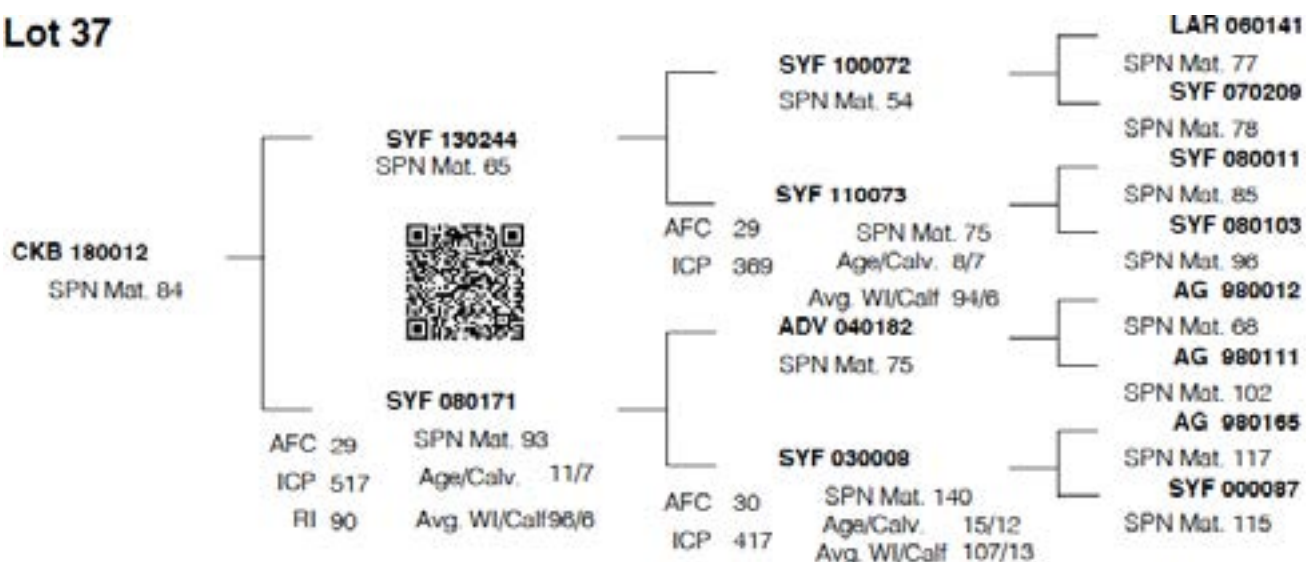
Geboorte 2018-01-15
datum:

Vader SYF 130244

Moeder SYF 080171

DIRECT CALF TRAITS			DAUGHTER TRAITS			GROWTH		EFF.	REP	MEASUREMENTS	R:		
Progeny Birth Weight	Progeny Wean Weight		Ease of Calving	Milk prod.	Mature Weight	Post Wean Weight	Daily Gain	Feed Conv		Height & Length			
Breeding Value Indexes													
Birth Dir	Wean Dir		Birth Mat	Wean Mat	Mat Wgt	Post Wean	ADG	FCR	SC	Hgt	Lgt	LHR	
Acc	Acc		Acc	Acc	Acc	Acc	Acc	Acc	Acc	Acc	Acc	BWR	
												WWR	
Wgt kg	Wgt kg	Ind	kg	kg	kg	365d Ind	540d Ind	Ind	Ind	(mm)	(mm)	(mm)	
59	110		90	84	96	99	91	92	76	90	96	1.19	
5.35	17.9		0.25	-0.7	5.0	21.4	57	-29	-9.8	-6	9	9.9	
78	73		51	53	44	58	66	16	74	75	72		
58	190	93				-		102	-	317	1162	1383	-

Lot 37



BKB

The Trusted Home of Agriculture
Die Betroubare Tuiste van Landbou

Bulle

BOSHOFF- & BLOEMENDAL BONSMARAS

LOT 38 CHC 17 045



CHC 170045 / B

Boshoff Bonsmaras

Geboorte 2017-05-20
datum:

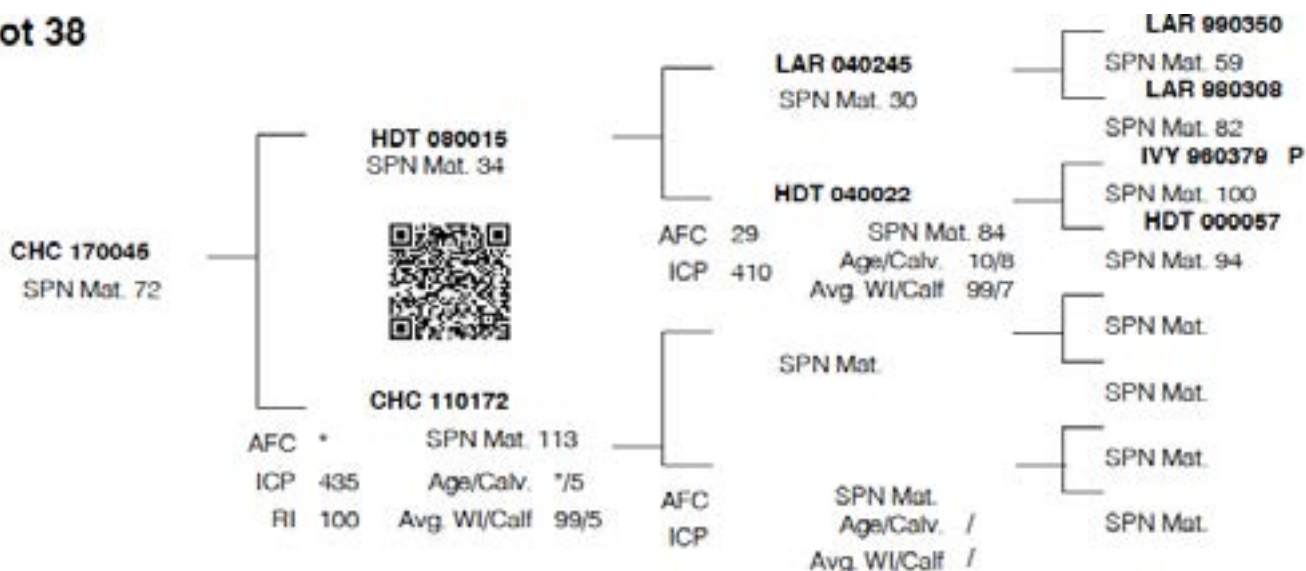
Vader HDT 080015

Moeder CHC 110172

DIRECT CALF TRAITS			DAUGHTER TRAITS			GROWTH		EFF.	REP	MEASURE-MENTS	R:	
Progeny Birth Weight	Progeny Wean Weight		Ease of Calving	Milk prod.	Mature Weight	Post Wean Weight	Daily Gain	Feed Conv		Height & Length		
Breeding Value Indexes												
Birth Dir	Wean Dir		Birth Mat	Wean Mat	Mat Wgt	Post Wean	ADG	FCR	SC	Hgt	Lgt	LHR
Acc	Acc		Acc	Acc	Acc	Acc	Acc	Acc	Acc	Acc	Acc	BWR
												WWR
Wgt kg	Wgt kg	Ind	kg	kg	kg	365d Ind	540d Ind	Ind	Ind	(mm)	(mm)	(mm)

98	115	104	72	101	111	110	106	108	118	118	1.19
1.27	20.1	-0.37	-4.0	11.0	29.5	144	-58	15.9	17	40	-
74	70	52	58	35	58	66	14	74	76	73	
37	250	102			-	98	-	337	1177	1396	47.3

Lot 38



BKB

The Trusted Home of Agriculture
Die Betroubare Tuiste van Landbou

Bulle

BOSHOFF- & BLOEMENDAL BONSMARAS

LOT 39 CHC 17 019



CHC 170019 / B

Boshoff Bonsmaras

Geboorte 2017-04-15
datum:

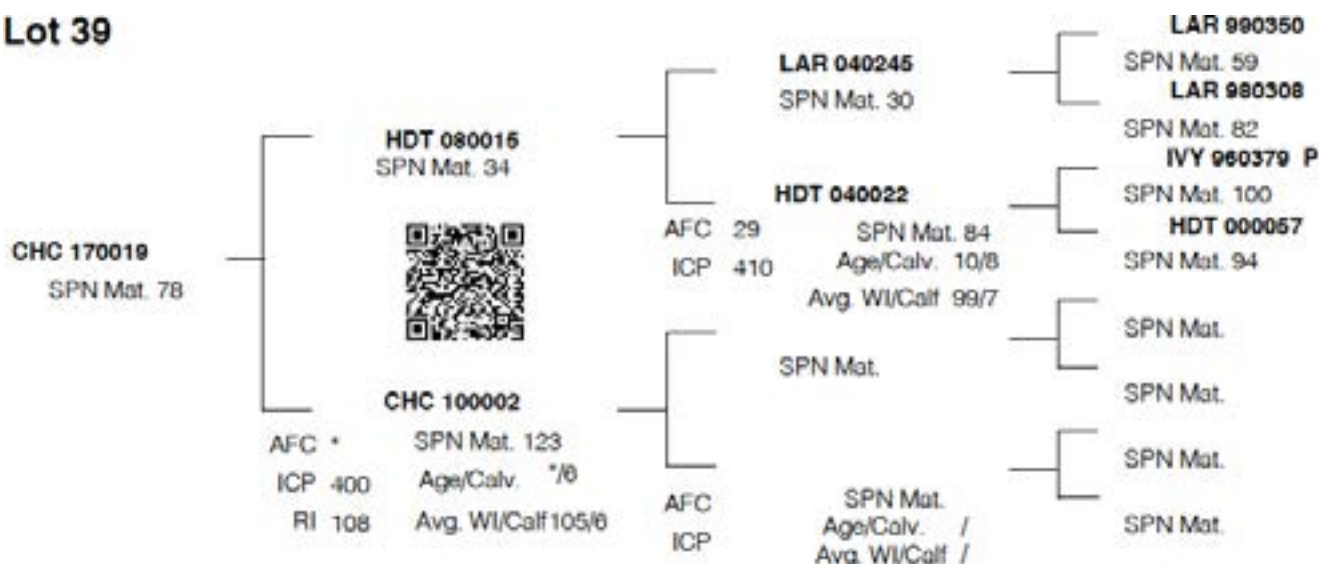
Vader HDT 080015

Moeder CHC 100002

DIRECT CALF TRAITS			DAUGHTER TRAITS			GROWTH		EFF.	REP	MEASURE-MENTS	R:	
Progeny Birth Weight	Progeny Wean Weight		Ease of Calving	Milk prod.	Mature Weight	Post Wean Weight	Daily Gain	Feed Conv		Height & Length		
Breeding Value Indexes												
Birth Dir	Wean Dir		Birth Mat	Wean Mat	Mat Wgt	Post Wean	ADG	FCR	SC	Hgt	Lgt	LHR
Acc	Acc		Acc	Acc	Acc	Acc	Acc	Acc	Acc	Acc	Acc	BWR
												WWR
Wgt kg	Wgt kg	Ind	kg	kg	kg	365d Ind	540d Ind	Ind	Ind	(mm)	(mm)	(mm)

98	115	98	78	101	118	122	112	110	132	128	1.18
1.20	20.3	-0.10	-2.3	11.0	34.5	201	-71	18.0	28	54	-
75	70	53	57	35	56	66	14	74	76	73	
38	241	98			-	104	-	334	1240	1461	45.2

Lot 39



BKB

The Trusted Home of Agriculture
Die Betroubare Tuiste van Landbou

Bulle

BOSHOFF- & BLOEMENDAL BONSMARAS

LOT 40 JHL 17 146



JHL 170146 / SP

Jan Boshoff Bdy

Geboorte 2017-11-02
datum:

Vader HDT 120020

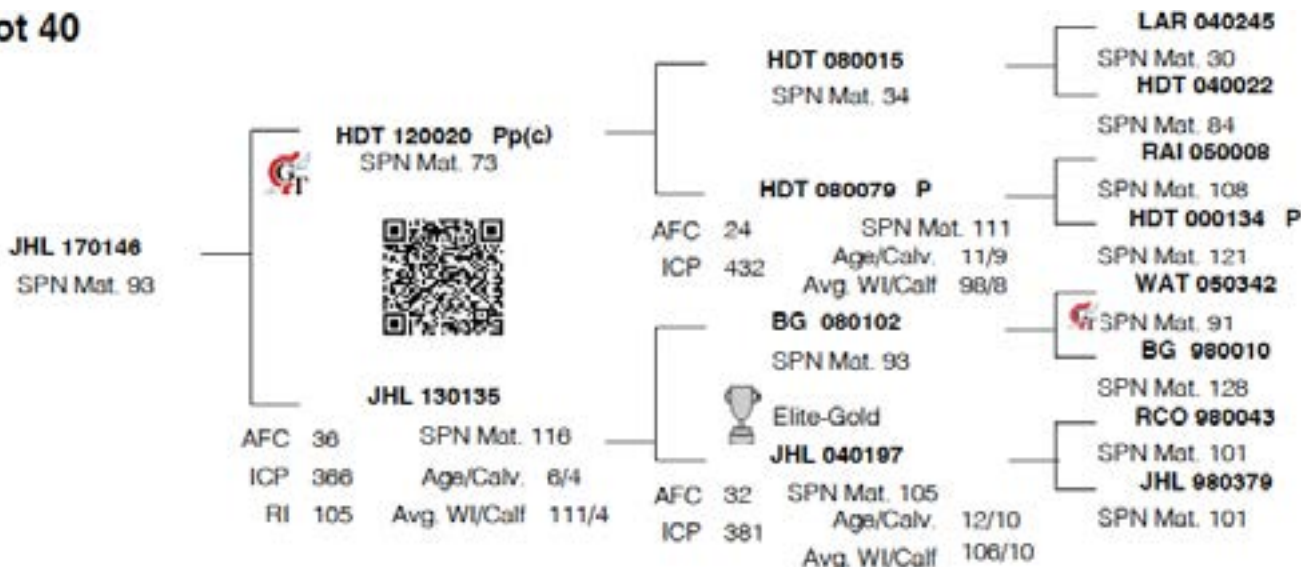
Moeder JHL 130135

DIRECT CALF TRAITS		DAUGHTER TRAITS			GROWTH		EFF.	REP	MEASUREMENTS	R:
Progeny Birth Weight	Progeny Wean Weight	Ease of Calving	Milk prod.	Mature Weight	Post Wean Weight	Daily Gain	Feed Conv		Height & Length	

Breeding Value Indexes												
Birth Dir	Wean Dir		Birth Mat	Wean Mat	Mat Wgt	Post Wean	ADG	FCR	SC	Hgt	Lgt	LHR
Acc	Acc		Acc	Acc	Acc	Acc	Acc	Acc	Acc	Acc	Acc	BWR
Wgt kg	Wgt kg	Ind	kg	kg	kg	365d Ind	540d Ind	Ind	Ind	(mm)	(mm)	(mm)

93	123	106	93	116	121	115	111	110	121	120	1.2	
1.73	24.2	-0.48	2.0	27.0	36.4	167	-70	17.5	19	43	-	
76	73	53	55	42	63	68	19	75	76	74		
37	252	113			-		97	-	350	1153	1383	46.7

Lot 40



BKB

The Trusted Home of Agriculture
Die Betroubare Tuiste van Landbou

Bulle

BOSHOFF- & BLOEMENDAL BONSMARAS

LOT 41 CHC 17 081



CHC 170081 / SP

Boshoff Bonsmaras

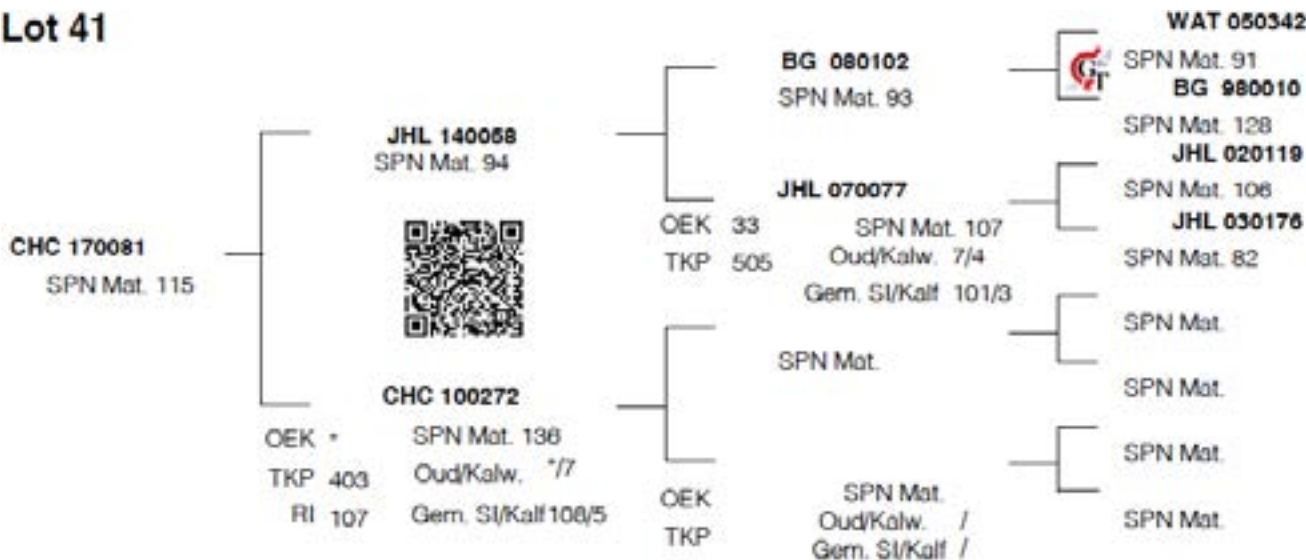
Geboorte 2017-10-02
datum:

Vader JHL 140058

Moeder CHC 100272

DIRECT CALF TRAITS			DAUGHTER TRAITS			GROWTH		EFF.	REP	MEASUREMENTS	R:		
Progeny Birth Weight	Progeny Wean Weight		Ease of Calving	Milk prod.	Mature Weight	Post Wean Weight	Daily Gain	Feed Conv		Height & Length			
Breeding Value Indexes													
Birth Dir	Wean Dir		Birth Mat	Wean Mat	Mat Wgt	Post Wean	ADG	FCR	SC	Hgt	Lgt	LHR	
Acc	Acc		Acc	Acc	Acc	Acc	Acc	Acc	Acc	Acc	Acc	BWR	
Wgt kg	Wgt kg	Ind	kg	kg	kg	365d Ind	540d Ind	Ind	Ind	(mm)	(mm)	(mm)	
92	127		88	115	114	136	137	111	133	134	135	1.21	
1.81	25.8		0.34	8.0	26.0	47.4	270	-70	35.9	30	63	-	
73	66		47	49	27	50	61	15	71	73	70		
37	233	103				-		127	-	385	1189	1436	42.4

Lot 41



BKB

The Trusted Home of Agriculture
Die Betroubare Tuiste van Landbou