

JOUBA BONSMARAS

In oorsteming met Covid-19 regulasies word slegs kopers toegelaat dag veiling.

PRODUKSIEVEILING

Onder beskerming van die Bonsmara Beestelers Genootskap



FRITS JOUBERT & GASVERSKOPERS

11:00 | WOENSDAG | SATERDAG | 16 SEPTEMBER 2020

SOMERSET-OOS | STEYNSRUS | GPS: S28 01'14.12" E27 38'34,86"

VEILING OP TERREIN & DIGITAAL!

FUNKSIONEEL DOELTREFFENDE | MEDIUM RAAM DIERE

A - 18 Bulle | A - 20 Koeie met 20 kalwers. | N - 40 Koeie (dragtig). | B - 150 Verse (dragtig).
| O - 50 Verse (gereed vir bul). | D - 20 Speenverse

Roete: Vanaf Steynsrus: Ry op dei Arlington pad vir 10km . Draai regs by die plaas in.

Vanaf Arlington: Ry op dei Steynsrus pad vir 21km. Draai links by die plaas in.



BONSMARA
SA

The breed for ALL reasons
Die ras vir ALLE redes

Tracey Strydom Reception & Inspections

tracey@bonsmara.co.za



118 Henrystreet | Westdene | Bloemfontein
PO BOX 12051 | Brandhof 9324



Tel: 051 448 6084 / 051 448 6085



Fax: 051 448 6327



www.bonsmara.co.za

KLIK HIER OM
TE REGISTREER

TERMES EN
VOORWAARDES

KLIK HIER OM IN
TE TEKEN



The Trusted Home of Agriculture
Die Betroubare Tuiste van Landbou

SALES UNDER AUSPICES OF BONSMARA SA

Bonsmara stud breeding is subject to the stipulations of the Livestock Improvement Act and conforms to the standards of Bonsmara SA. The Society therefore has the right to implement certain controls to ensure the accuracy of information regarding Parentage, Performance and Estimated Breeding Values.

Information regarding Parentage, Performance and Estimated Breeding Values of animals, as supplied by the breeder, have been verified and compared to the official database of LOGIX BEEF. Bonsmara SA therefore, confirms the accuracy of such information.

To the knowledge of the Society these controls have been carried out accurately. However, the Society does not take any responsibility for incorrect information through printing errors or incorrect information provided by the breeder.

Animals on such sales have been visually screened by Inspectors of Bonsmara SA and comply with the Bonsmara Minimum Breed Standards as stipulated by the Society.

The Society DOES NOT have any control over:

- Immunization and health status of animals
- Pregnancy status of cows and heifers
- Suitability of a bull for breeding
- Fertility status as well as venereal diseases and
- Commercial animals

Since the above is not classified as information regarding Parentage, Performance and Estimated Breeding Values, it DOES NOT fall within the jurisdiction of the meaning "Under the Auspices of Bonsmara SA".



The Trusted Home of Agriculture
Die Betroubare Tuiste van Landbou

VEILINGS ONDER BESKERMING VAN BONSMARA SA

Bonsmara stoetteling wat onderhewig is aan die bepalinge van die Veeverbeteringswet, vind plaas onder die vaandel van Bonsmara SA. Daarom behou die Genootskap hom die reg voor om kontroles volgens bepaalde prosedures uit te oefen ten opsigte van Ouerskap inligting, Prestasiedata en Beraamde Teelwaardes.

Ouerskap inligting, Prestasiedata en Beraamde Teelwaardes soos deur die teler voorsien vir die doel van hierdie katalogus, is gekontroleer en vergelyk met die amptelike databasis soos gehou deur LOGIX BEEF. Bonsmara SA bevestig dus die korrektheid van sodanige inligting.

Alhoewel die kontroles na die beste wete van die Genootskap gedoen is, kan die Genootskap egter nie verantwoordelik gehou word vir foutiewe inligting as gevolg van drukkersfoute of verkeerde inligting deur die telers verskaf nie.

Diere wat op hierdie veilinge aangebied word, is onderwerp aan 'n proses van visuele inspeksie deur Keurders van Bonsmara SA en voldoen aan die Bonsmara Minimum Rasstandaarde soos bepaal deur die Genootskap.

Die Genootskap het egter GEEN beheer oor:

- Immunisering en gesondheidstatus van diere
- Dragtigheidsstatus van koeie en verse
- Teelgeskiktheid van bulle
- Vrugbaarheidstatus, asook geslagsiektes en
- Kommersiële diere nie.

Aangesien bogenoemde nie val onder die bedoeling met Ouerskap inligting, Prestasiedata en Beraamde Teelwaardes nie, sorteer dit NIE onder die jurisdiksie van die bedoeling "Onder beskerming van Bonsmara SA" nie.



The Trusted Home of Agriculture
Die Betroubare Tuiste van Landbou



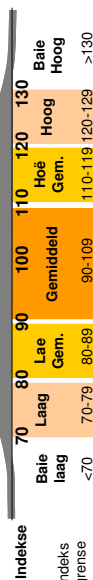
Beskrywing van eienskappe

Eienskap	EBV Indeks	Beskrywing / Meting	Doelwit	Algemene riglyne vir Teelwaarde Indekse					
				80	90	100	110	120	
Kalfgroei (Direk)	Geboorte gewig	Geboorte gewig (Geboorte direk)	Maklike kalwing	Swaar					Lig
	Speen gewig	Speengewig (Speen direk)	Swaar speenkalf	Lig					Swaar
Moeder eienskappe (Maternaal)	Geboorte mat.	Geboorte gewig van koei/dogters se kalwers	Maklike kalwing	Swaar					Lig
	Melk	Melkproduksie van koei/dogters (Speen maternaal)	Swaar speenkalf	Min					Baie
Groei en Doeltreffendheid	Na-speengewig	Kombinasie van 12- en 18mnde gewigte van bulle en verse	Bogemiddelde nasp. groei	Lig					Swaar
	Volwasse gewig	Kombinasie van volwasse gewigte tussen 2 en 5jr oud van koeie by speen van hulle kalwers	Gemiddelde grootte diere	Lig					Swaar
	GDT	Gemiddelde daaglikse toename soos gemeet in groeitoets.	Goeie groei en aanpassing	Min					Baie
	Voeromset	100g Voer gevreet per g gewig toegeneem in groeitoets	Goeie omskakeling van voer na vleis	Swak					Goed
Reproduksie	Skrotumomtrek	Skrotumomtrek van bulle in naspeense groeitoets (Bul vrugbaarheid)	Vrugbare bulle	Klein					Groot
	Ouderdom met eerste kalf	Ouderdom met eerste kalwing, asook hoe gou 'n vers binne kalfseisoen kalf (Versvrugbaarheid)	Vrugbare verse	Kalf laat					Kalf vroeg
	TKP	Kombinasie van eerste 3 Tussen Kalf Periodes van koeie (Koei vrugbaarheid)	Vrugbare koeie	Lang TKP					Kort TKP
Raam	Hoogte	Skouerhoogte van bulle in naspeense groeitoets	Gemiddelde grootte diere	Laag					Hoog
	Lengte	Lengte tussen skouerknop en sibene van bulle in groeitoets	Effens langer vir meer vleis	Kort					Lank
Karkas	Uitslag%	Beraam vanaf eindgewig en ultrasoniese metings vir oogspier oppervlakte en vetdikte	Beter vleis tot been verhouding	Laag					Hoog
	Vleis	Beraam vanaf eindgewig en ultrasoniese metings vir oogspier oppervlakte en vetdikte	Meer vleis aan karkas	Min					Baie
	Marrowing	Ultrasoniese meting van binnespiers vet	Sappige vleis	Min					Baie
Seleksie Waardes (Rand)	Groei waarde	Kombinasie van inname, groei en gewigs-eienskappe	Wingsgewende vleisproduksie	Verlies					Wins
	Koei waarde	Kombinasie van vrugbaarheid, kalfgemak, groei, melk en koeigrootte	Wingsgewende koeie	Verlies					Wins
	Produksie waarde	Kombinasie van Koeiwaarde (80%) en Groeiwaarde (20%)	Wingsgewende produksie	Verlies					Wins

Let wel:

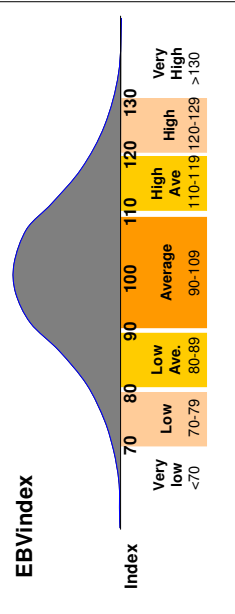
- Oor die algemeen is donker mees gewens, medium gewens en wit ongewens.
- Daar bestaan nie so iets soos 'n ideale dier vir alle omstandighede nie. Selfs al het 'n dier teelwaardes vir sekere eienskappe wat buite die spektrum van gewensdheid lê, mag hy/sy oor teelwaardes vir ander eienskappe besit wat gewens is. Elke kudde se omstandighede is ook uniek. Dit word hoofsaaklik bepaal deur die fisiese omgewing en produksie-stelsel vereistes sowel as die huidige genetiese samestelling van die kudde (veral vroulike diere). Alhoewel die gewensde spektrum van teelwaardes dus in die tabel aangedui word, moet elke teler sy eie unieke situasie onder die loep neem en besluit watter dier meer geskik sal wees. In sekere gevalle kan diere buite die aangeduide spektrum ook oorweeg word, veral om moontlike tekorte reg te stel.
- Vir die eienskappe Geboorte gewig, Voeromset, Ouderdom 1^o kalwing en Tussenkalfperiode, die kleinste EBVs die gewenste by seleksie op TEELWAARDES (EBVs), maar as die EBVindekse gebruik word, is die hoogste waardes meer gewens.

EBVindeks



Description of traits

Trait	EBV Index	Description/measurement	Objective	General guidelines for Breeding Value Indices				
				80	90	100	110	120
Calif growth (Direct)	Birth weight	Birth weight (Birth direct)	Easy calving	Heavy				Light
	Weaning weight	Weaning weight (Weaning weight direct)	Heavy weaner calves	Light				Heavy
Mothering ability (Maternal)	Birth mat.	Birth weight of cow's/daughters' calves (Birth maternal)	Easy calving	Heavy				Light
	Milk	Milk production of cow/daughters (Weaning weight maternal)	Heavy weaner calves	Low				High
Growth & efficiency	Post-wean weight	Combination of 12- and 18 month weights	Above average post-wean growth	Light				Heavy
	Mature weight	Combination of mature weights between 2 and 5 years old of cows at the weaning of their calves	Mature animals of average size	Light				Heavy
	ADG	Average daily gain as measured in growth tests	Good growth and adaptability	Low				High
	FCR	g feed consumed per 100g weight gain in growth tests	Good conversion of feed to meat	High (Poor)				Low (good)
Fertility	Scrotal circumference	Scrotal circumference of bulls in growth tests (bull fertility)	Fertile bulls	Small				Big
	AFC	Age at first calving, as well as how early in the breeding season the heifer calves (heifer fertility)	Fertile heifers	Late calving				Early calving
	ICP	Combination of the first 3 intercalving periods of cows (cow fertility)	Fertile cows	Long				Short
Frame	Height	Shoulder height of bulls in post-wean growth tests	Mature animals of average size	Low				High
	Length	Length between shoulder and hip of bulls in growth tests	Slightly longer for more meat	Short				Long
Carcass	Dressing %	Estimated from final weight and ultrasonic measurements of eye muscle area and skin thickness	Better meat to bone ratio	Low				High
	Meat yield	Estimated from final weight and ultrasonic measurements of eye muscle area and skin thickness	More meat on carcass	Low				High
	Marbling	Ultrasonic measurement of intermuscular fat at the end of post-wean growth tests	Juicy meat	Low				High
Selection values (Rand)	Growth value	Combination of intake, growth and weight traits	Profitable meat production	Loss				Profit
	Cow value	Combination of fertility, calving ease, growth, milk and cow weight	Profitable cows	Loss				Profit
	Production value	Combination of cow value (80%) and growth value (20%).	Profitable production	Loss				Profit



Notes:

1. In general dark is desirable, medium is less desirable and white is undesirable.
2. The ideal animal does not exist. Even if an animal has undesirable breeding values for certain traits, it might still have desirable breeding values for other traits. Each herd's circumstances are also unique. It is mainly determined by the environment and production system as well as the genetic level of the herd (especially the females).
3. Although the general desirability of breeding values are indicated in the table, each breeder should consider his unique situation and decide which animals will be most suitable. Sometimes animals in the undesirable range should be considered, especially for corrective mating.
4. The lowest breeding values are most desirable for the traits Birth Weights, Feed Conversion Ratio (FCR), Age at 1st calving and InterCalvingPeriod (ICP) when selecting on BREEDING VALUES (EBVs), but if selecting on EBV Indices, the highest values are most desirable.



BONSMARA BEESTELERSGENOOTSAP VAN SA

Saamgestel deur die Suid-Afrikaanse Stamboek- en Veeverbeteringsvereniging
Stamboom- en Prestasiedata korrek gesertifiseer

Veilingsdatum: 16/09/2020
Data soos op 10/09/2020 11:26:38

EXPLANATION OF ABBREVIATIONS IN CATALOGUE VERDUIDELIKING VAN AFKORTINGS IN KATALOGUS

Calving traits	DIRECT CALF TRAITS	DIREKTE KALF EIENSKAPPE	Kalf eienskappe
Daughter traits	DAUGHTER TRAITS	DOGTER EIENSKAPPE	Dogter eienskappe
Growth traits	GROWTH	GROEI	Groei eienskappe
Efficiency traits	EFF	DOEL	Doeltreffendheids eienskappe
Reproduction traits	REPRODUCTION	REPRODUKSIE	Reproduksie eienskappe
Body measurements	MEASURE	MATES	Liggaamsmates
Lot number	Lot	Lot	Lotnommer
Ratio	R:	V:	Verhouding
Identification number	ID	ID	Identifikasienommer
Generation/Section of Herdbook	Gen	Gen	Generasie/Afdeling van kuddeboek
Weight in kilogram	Wgt kg	Gew kg	Gewig in kilogram
Index	Ind	Ind	Indeks
Accuracy of breeding value	Acc	Akk	Akkuraatheid van teelwaarde
Birth direct (kg)	Birth Dir	Geb Dir	Geboorte direk (kg)
Birth maternal (kg)	Birth Mat	Geb Mat	Geboorte matersnaal (kg)
Wean direct (kg)	Wean Dir	Speen Dir	Speen direk (kg)
Wean maternal (kg)	Wean Mat	Speen Mat	Speen matersnaal (kg)
Mature weight (kg)	Mature Wgt	Volw Gew	Volwasse gewig (kg)
365 Days (kg)	365d	365d	365 Dae (kg)
540 Days (kg)	540d	540d	540 Dae (kg)
Average daily gain (g/day)	ADG	GDT	Gemiddelde daaglikse toename (g/dag)
Feed conversion ratio	FCR	VOV	Voeromsetverhouding
Scrotal circumference (mm)	SC	SO	Skrotum omvang (mm)
Age First Calving	AFC	OEK	Ouderdom Eerste Kalwing
Inter Calving Period	ICP	TKP	Tussen Kalf Periode
Height (mm)	Hgt	Hgt	Hoogte (mm)
Length (mm)	Lgt	Lgt	Lengte (mm)
Length : Height ratio	LHR	HLV	Lengte : Hoogte verhouding
Birth weight : Cow weight ratio	BWR	GGV	Geboortegewig : Koeigewig verhouding
Wean weight : Cow weight ratio	WWR	SGV	Speengewig : Koeigewig verhouding
Age in years and months / Number of calvings	Age / Calv	Oud / Kalw	Ouderdom in jare en maande / Aantal kalwings
Average Wean index / Number of calves	Ave WI / Calf	Gem SI / Kalf	Gemiddelde Speenindeks / Aantal kalwers
Reproduction index	R.I.	R.I.	Reproduksie Indeks
Polled	Polled	Poena	Poena
Post Wean 365 days & Post Wean 540 days	PW365 & PW540	NS365 & NS540	Naspeen 365 dae & Naspeen 540 dae
Growth test & Growth test group	GT & GTg	GT & GTg	Groei Toets & Groeitoets groep
Central test	CT	ST	Sentrale toets
Ouerskap Verifikasie	OV	PV	Parentage Verification
Genomics Getoets	GT	GT	Genomically Tested
Homosigoties Poena (Celtic Toets)	PP(c)	PP(c)	Homozygous Polled (Celtic Test)
Heterosigoties Poena (Celtic Toets)	Pp(c)	Pp(c)	Heterozygous Polled (Celtic Test)
Beide Ouers Geverifieer	PV	PV	Both Parents Verified
Sire Geverifieer	SV	SV	Sire Verified
Dam Geverifieer	DV	DV	Dam Verified



The Trusted Home of Agriculture
Die Betroubare Tuiste van Landbou

JOUBA BONSMARAS

BULLS | BULLE

LOT: 1 FCJ 180207



FCL 180207

JOUBA BONSMARAS

Geboorte Datum:
07.10.18


KLIK HIER VIR VIDEO
CLICK HERE FOR VIDEO

Lot	Seller	ID	POLLED	Gen	PARENTS		Test	Breeding Value Indexes										LHR	BWR	WWR	Semens	Users	Breeder Own Remarks
					SIRE	PV		DAM	PV	Birth Dir	Wean Dir	Birth Mat	Wean Mat	Mat Wgt	Post Wean	ADG	FCR						
1	F.C. JOUBERT	FCJ 180207		B	ABM 130108		GTg	94	108	67	115	93	119	129	106	112	121	125	1.23				
					FCJ 110011		DNA	1.69	16.9	1.31	8.1	2.0	35.2	233	-59	19.7	19	49					
							07.10.18	-	270	101				-	115	-	342	1229	1510	52.2			

Lot 1

FCJ 180207
SPN Mat. 115

ABM 130108
SPN Mat. 106



FCJ 110011
SPN Mat. 122
Age/Calv. *3
Avg. WI/Calf 106/3

CEW 100058
SPN Mat. 89

CAM 070039
SPN Mat. 127
Age/Calv. 10/8
Avg. WI/Calf 105/8

AFC 34
ICP 371

SPN Mat.

AFC ICP
SPN Mat.
Age/Calv. /
Avg. WI/Calf /

LMR 060343
SPN Mat. 83
CEW 050143
SPN Mat. 102
DFP 030186
SPN Mat. 122
CAM 040135
SPN Mat. 101

SPN Mat.

SPN Mat.

SPN Mat.

SPN Mat.



The Trusted Home of Agriculture
Die Betroubare Tuiste van Landbou

JOUBA BONSMARAS

BULLS | BULLE

LOT: 2 FCJ 180223



FCL 180223

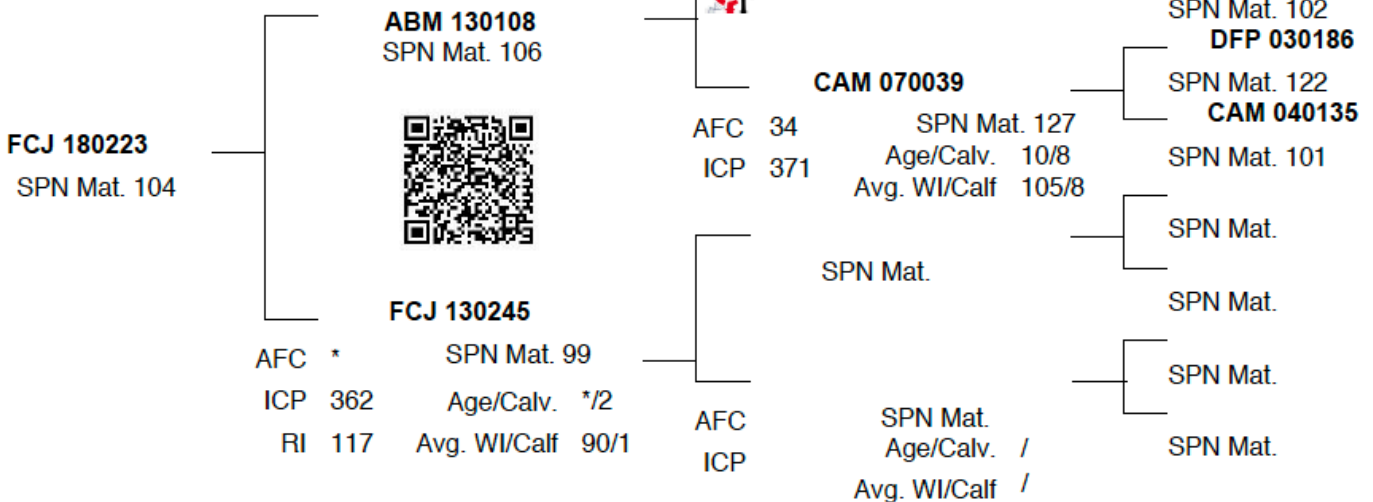
JOUBA BONSMARAS

Geboorte Datum:
17.10.18

KLIK HIER VIR VIDEO
CLICK HERE FOR VIDEO

Lot	Seller	ID	PARENTS		Test	DIRECT CALF TRAITS					DAUGHTER TRAITS			GROWTH		EFF.	REP	MEASURE-MENTS	R:
			SIRE	PV		Progeny Birth Weight	Progeny Wean Weight	Ease of Calving	Milk prod.	Mature Weight	Post Wean Weight	Daily Gain	Feed Conv	Height & Length					
2	F.C. JOUBERT	FCJ 180223	ABM 130108	FCJ 130245	Genomic Tested DNA Birth Date	Birth Dir	Wean Dir	Birth Mat	Wean Mat	Mat Wgt	Post Wean	ADG	FCR	SC	Hgt	Lgt	LHR	Breeder Own Remarks	
			GV	PV		Acc	Acc	Acc	Acc	Acc	Acc	Acc	Acc	Acc	Acc	Acc	Acc		BWR
			DAM	PV		Wgt kg	Wgt kg	kg	kg	kg	Ind	Ind	Ind	Ind	(mm)	(mm)	(mm)		WWR
			FCJ 130245		17.10.18	106	98	79	104	86	110	121	99	122	112	120	1.24		
						0.43	12.6	0.76	5.2	-5.0	29.1	193	-44	27.1	12	42	-		
						39	62	26	37	21	42	13	72	73	70				
						-	245	90			-	114	-	379	1181	1468	43.3		

Lot 2



The Trusted Home of Agriculture
Die Betroubare Tuiste van Landbou

JOUBA BONSMARAS

BULLS | BULLE

LOT: 3 FCJ 180047



FCL 180047

JOUBA BONSMARAS

Geboorte Datum:
04.05.18

KLIK HIER VIR VIDEO
CLICK HERE FOR VIDEO

Lot	Seller	ID	PARENTS		Test	Breeding Value Indexes						MEASUREMENTS				R:	Semens Users	Breeder Own Remarks
			SIRE	PV		Progeny Birth Weight	Progeny Wean Weight	Ease of Calving	Milk prod.	Mature Weight	Post Wean Weight	Daily Gain	Feed Conv.	Height & Length				
3	SPRINGBOKSPRUIT BONSMARAS	JH 180047	THE 130012	PW540	Genomic Tested DNA	Birth Dir	Wean Dir	Birth Mat	Wean Mat	Mat Wgt	Post Wean	ADG	FCR	SC	Hgt	Lgt	LHR	
			JH 140057			Acc	Acc	Acc	Acc	Acc	Acc	Acc	Acc	Acc	Acc	Acc	BWR	
			Gen	DAM		GV	PV	Birth Date	Wgt kg	Wgt kg	Ind	kg	kg	kg	Ind	Ind	(mm)	
					04.05.18	91	123	95	80	98	117	109	103	109	104	108	-	
						1.97	24.0	0.04	-1.6	7.0	33.8	139	-53	17.2	5	25	-	
						63	72	47	55	41	64	42	27	45	46	45	-	
						40	266	111			110	104	-	-	-	-	53.8	

Lot 3

JH 180047
SPN Mat. 80



THE 130012
SPN Mat. 82



JH 140057

AFC * SPN Mat. 80
ICP 467 Age/Calv. *3
RI 93 Avg. Wt/Calf 94/3



THE 100023
SPN Mat. 96

THE 090086

AFC 28 SPN Mat. 83
ICP 537 Age/Calv. 4/2
Avg. Wt/Calf 101/2

THE 100079
SPN Mat. 80

AFC * SPN Mat. 99
ICP 414 Age/Calv. *6
Avg. Wt/Calf 100/4



THE 060100

SPN Mat. 109
THE 060042

SPN Mat. 95
AG 040303

SPN Mat. 87
THE 010036

SPN Mat. 97
THE 060036



SPN Mat. 69
THE 060076

SPN Mat. 110
JH 050001*

SPN Mat. 86
JH 080002*

SPN Mat. 95



The Trusted Home of Agriculture
Die Betroubare Tuiste van Landbou

JOUBA BONSMARAS

BULLS | BULLE

LOT: 4 FCJ 180061



FCL 180061

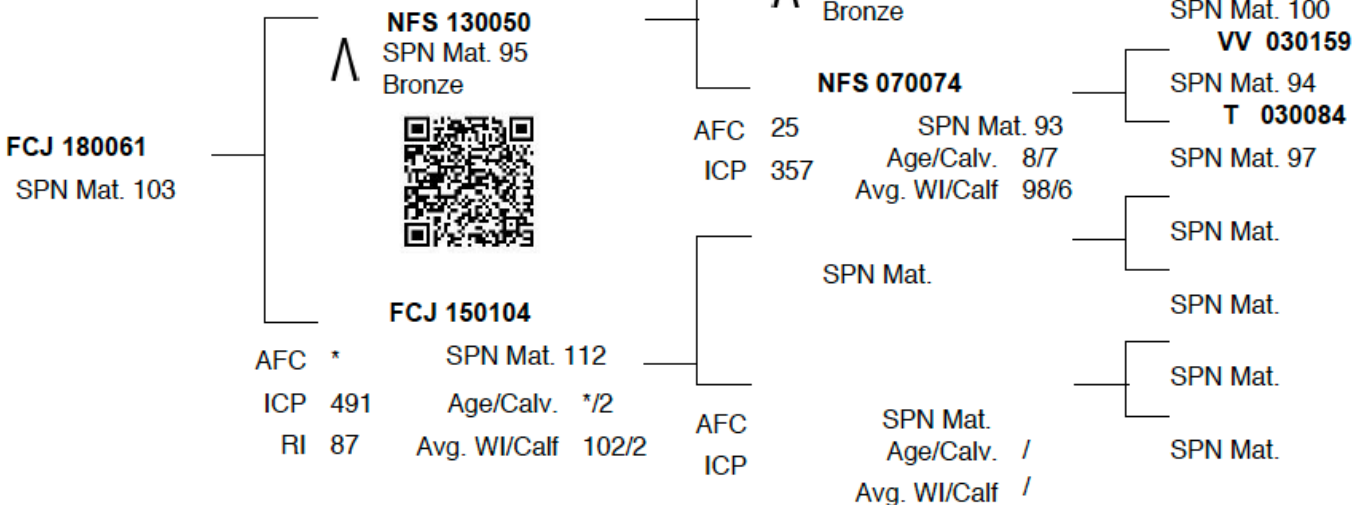
JOUBA BONSMARAS

Geboorte Datum:
16.05.18

KLIK HIER VIR VIDEO
CLICK HERE FOR VIDEO

Lot	Seller	ID	POLLED	Gen	PARENTS		Test	Breeding Value Indexes											LHR	BWR	WWR	Semens	Users	Breeder Own Remarks
					SIRE	PV		Genomic Tested	Birth Dir	Wean Dir	Birth Mat	Wean Mat	Mat Wgt	Post Wean	ADG	FCR	SC	Hgt						
					DAM	PV	DNA	Birth Date	Wgt kg	Wgt kg	Ind	kg	kg	kg	365d Ind	540d Ind	Ind	Ind	(mm)	(mm)	(mm)			
4	F.C. JOUBERT	FCJ 180061		B	NFS 130050		GT	16.05.18	89	108	91	103	97	111	101	90	102	91	107	1.27				
					FCJ 150104		DNA		2.20	17.1	0.23	4.9	6.0	29.8	102	-25	11.0	-6	25					
									41	43	32	35	22	46	37	69	71	67						
									-	226	100			-		-	341	1140	1443	53.7				

Lot 4



The Trusted Home of Agriculture
Die Betroubare Tuiste van Landbou

JOUBA BONSMARAS

BULLS | BULLE

LOT: 5 FCJ 180100



FCJ 18-100

FCL 180100

JOUBA BONSMARAS

Geboorte Datum:

16.04.18

KLIK HIER VIR VIDEO
CLICK HERE FOR VIDEO

Lot	Seller	ID	PARENTS	Test	DIRECT CALF TRAITS					DAUGHTER TRAITS			GROWTH		EFF.	REP	MEASUREMENTS			R:	Breeder Own Remarks
					Progeny Birth Weight	Progeny Wean Weight	Ease of Calving	Milk prod.	Mature Weight	Post Wean Weight	Daily Gain	Feed Conv.	Height & Length								
					Birth Dir	Wean Dir	Birth Mat	Wean Mat	Mat Wgt	Post Wean	ADG	FCR	SC	Hgt			Lgt				
5	F.C. JOUBERT	FCJ 180100	FUZ 110067 FCJ 090013	Genomic Tested DNA	80	107	87	96	107	102	106	107	97	94	102	1.22					
		B		16.04.18	3.14 42	16.6 64	0.41 36	2.8 44	18.0 28	23.4 46	127 60	-61 18	7.3 70	-3 72	17 68	-					
					-	226	106			-	94	-	342	1167	1426	40.6					

Lot 5

FCJ 180100
SPN Mat. 96

FUZ 110067
SPN Mat. 77



FCJ 090013

AFC * SPN Mat. 117
ICP 368 Age/Calv. *3
RI 115 Avg. WI/Calf 103/2

AG 020263
SPN Mat. 71
Elite-Bronze
FUZ 040080
AFC 34 SPN Mat. 91
ICP 375 Age/Calv. 9/7
Avg. WI/Calf 101/6
SPN Mat.
SPN Mat.
SPN Mat.
SPN Mat.
SPN Mat.
SPN Mat.

AG 980338
SPN Mat. 87
AG N 0045
SPN Mat. 105
EI 010200
SPN Mat. 105
FUZ 930008
SPN Mat. 76
SPN Mat.
SPN Mat.
SPN Mat.
SPN Mat.



The Trusted Home of Agriculture
Die Betroubare Tuiste van Landbou

JOUBA BONSMARAS

BULLS | BULLE

LOT: 6 FCJ 180113



FCL 180113

JOUBA BONSMARAS

Geboorte Datum:
26.09.18

KLIK HIER VIR VIDEO
CLICK HERE FOR VIDEO

Lot	Seller	ID	PARENTS	Test	DIRECT CALF TRAITS			DAUGHTER TRAITS			GROWTH		EFF.	REP	MEASUREMENTS		R:	Breeder Own Remarks	
					Progeny Birth Weight	Progeny Wean Weight	Ease of Calving	Milk prod.	Mature Weight	Post Wean Weight	Daily Gain	Feed Conv			Height & Length				
				Breeding Value Indexes															Semens Users
Gen	SIRE	GV	PV	Genomic Tested	Birth Dir	Wean Dir			Birth Mat	Wean Mat	Mat Wgt	Post Wean	ADG	FCR	SC	Hgt	Lgt	LHR	
						Acc	Acc	Acc											
DAM	GV	PV	Birth Date	Wgt kg	Wgt kg	Ind	kg	kg	kg	365d Ind	540d Ind	Ind	Ind	(mm)	(mm)	(mm)	WWR		
6	F.C. JOUBERT	FCJ 180113	FUZ 140051	GTg	94	115	88	105	113	126	133	117	109	122	119	1.21			
			DFJ 140029	DNA	1.68	20.3	0.34	5.5	24.0	40.4	251	-83	16.9	20	41	-			
		SP		26.09.18	57	70	42	47	33	54	64	23	75	71	71	-			
					-	301	106			-		-	348	1214	1474	55			

Lot 6

FCJ 180113
SPN Mat. 105

FUZ 140051
SPN Mat. 94



DFJ 140029

AFC 36 SPN Mat. 117
ICP 421 Age/Calv. 5/3
RI 97 Avg. Wl/Calf 111/2

FUZ 090081
SPN Mat. 88

FUZ 100050
AFC 34 SPN Mat. 106
ICP 397 Age/Calv. 5/3
Avg. Wl/Calf 105/3

MMJ 100198
SPN Mat. 106

DFJ 110074
AFC 34 SPN Mat. 105
ICP 368 Age/Calv. 7/5
Avg. Wl/Calf 103/5

AG 020263
SPN Mat. 71
FUZ 050030
SPN Mat. 107
EI 010200
SPN Mat. 105
FUZ 050122
SPN Mat. 96
MMJ 070195
SPN Mat. 141
MMJ 080077
SPN Mat. 55
DV 040038
SPN Mat. 96
DFJ 060049
SPN Mat. 91



The Trusted Home of Agriculture
Die Betroubare Tuiste van Landbou

JOUBA BONSMARAS

BULLS | BULLE

LOT: 8 FCJ 180243



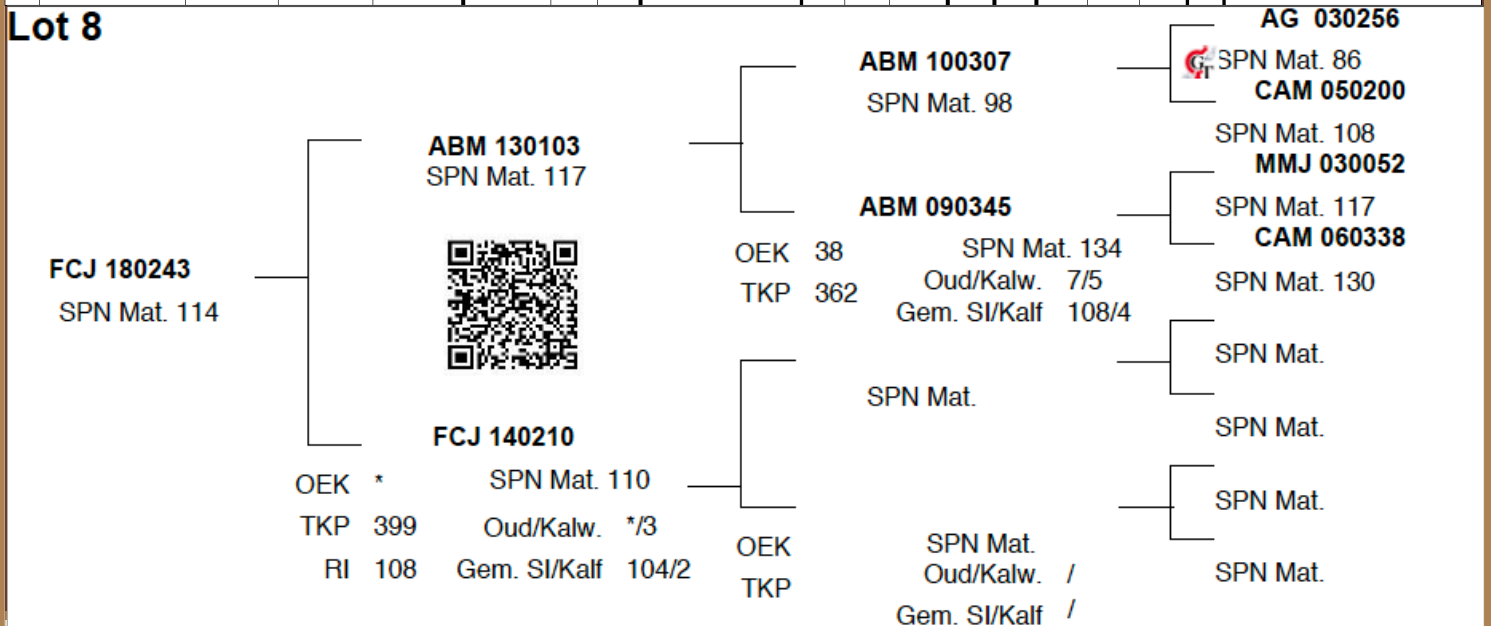
FCL 180243

JOUBA BONSMARAS

Geboorte Datum:
23.10.18

KLIK HIER VIR VIDEO
CLICK HERE FOR VIDEO

Lot	Seller	ID	PARENTS	Test	DIRECT CALF TRAITS					DAUGHTER TRAITS			GROWTH		EFF.	REP	MEASURE-MENTS			R:	Breeder Own Remarks
					Progeny Birth Weight	Progeny Wean Weight	Ease of Calving	Milk prod.	Mature Weight	Post Wean Weight	Daily Gain	Feed Conv	Height & Length								
					Genomic Tested	Birth Dir	Wean Dir	Birth Mat	Wean Mat	Mat Wgt	Post Wean	ADG	FCR	SC			Hgt	Lgt	LHR		
8	F.C. JOUBERT	FCJ 180243	ABM 130103 FCJ 140210	DNA GTg DNS	93	107	83	114	103	111	125	118	94	126	111	1.14					
					1.80	16.4	0.60	7.8	13.0	29.2	215	-84	4.5	23	30	-					
					41	63	31	40	21	43	61	12	71	73	69						
					23.10.18	-	280	105		-		110	-	323	1213	1382	56.7				



The Trusted Home of Agriculture
Die Betroubare Tuiste van Landbou

JOUBA BONSMARAS

BULLS | BULLE

LOT: 10 FCJ 180307



FCL 180307

JOUBA BONSMARAS

Geboorte Datum:
20.10.18

KLIK HIER VIR VIDEO
CLICK HERE FOR VIDEO

Lot	Seller	ID	PARENTS	Test	Breeding Value Indexes										LHR	BWR	WWR	Semens	Users	Breeder Own Remarks		
					DIRECT CALF TRAITS		DAUGHTER TRAITS			GROWTH		EFF.	REP	MEASURE-MENTS							R:	
					Progeny Birth Weight	Progeny Wean Weight	Ease of Calving	Milk prod.	Mature Weight	Post Wean Weight	Daily Gain			Feed Conv								Height & Length
10	F.C. JOUBERT	FCJ 180307	FUZ 140127 DFJ 130047	Genomic Tested DNA	Birth Dir Acc	Wean Dir Acc	Birth Mat Acc	Wean Mat Acc	Mat Wgt Acc	Post Wean Acc	ADG Acc	FCR Acc	SC Acc	Hgt Acc	Lgt Acc	1.19						
			DAM GV PV	Birth Date	Wgt kg	Wgt kg	Ind	kg	kg	kg	365d Ind	540d Ind	Ind	Ind	(mm)	(mm)	(mm)					
			SP	20.10.18	78	121	92	99	113	128	119	119	116	111	111							
				GTg	3.38	22.9	0.17	3.7	24.0	41.5	185	-86	22.4	11	30							
				DNS	57	72	42	48	31	54	64	23	73	75	71							
					-	254	98			-	94	-	367	1172	1390	45.3						

Lot 10

FCJ 180307
SPN Mat. 99

FUZ 140127
SPN Mat. 102



DFJ 130047

OEK 35 SPN Mat. 97
TKP 382 Oud/Kalw. 5/3
RI 103 Gem. SI/Kalf 106/3

FUZ 110049
SPN Mat. 87

FUZ 070086

OEK 34 SPN Mat. 111
TKP 381 Oud/Kalw. 8/6
Gem. SI/Kalf 104/5

LAR 080285

SPN Mat. 114

DFJ 050062

OEK 31 SPN Mat. 76
TKP 461 Oud/Kalw. 11/8
Gem. SI/Kalf 99/6

LPS 060117

SPN Mat. 77
FUZ 060070

SPN Mat. 102
HJB 020223

SPN Mat. 92
FUZ 020070

SPN Mat. 105
LAR 040287

SPN Mat. 129
LAR 970251

SPN Mat. 109
RCO 000262

SPN Mat. 83
KDJ 950006

SPN Mat. 71



The Trusted Home of Agriculture
Die Betroubare Tuiste van Landbou

JOUBA BONSMARAS

BULLS | BULLE

LOT: 11 FCJ 180010



FCL 180010

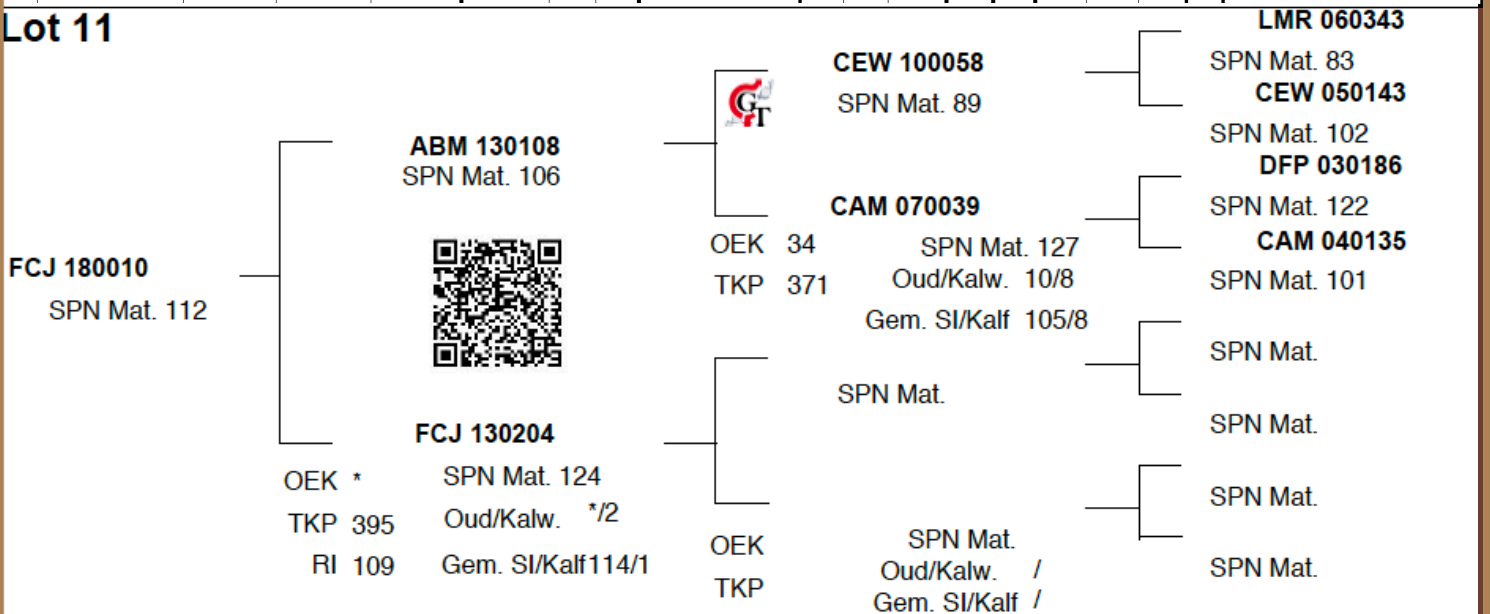
JOUBA BONSMARAS

Geboorte Datum:
06.04.18

KLIK HIER VIR VIDEO
CLICK HERE FOR VIDEO

Lot	Seller	ID	PARENTS	Test	DIRECT CALF TRAITS					DAUGHTER TRAITS			GROWTH		EFF.	REP	MEASUREMENTS			R:	Breeder Own Remarks
					Progeny Birth Weight	Progeny Wean Weight	Ease of Calving	Milk prod.	Mature Weight	Post Wean Weight	Daily Gain	Feed Conv	Height & Length								
					Genomic Tested	Birth Dir	Wean Dir	Birth Mat	Wean Mat	Mat Wgt	Post Wean	ADG	FCR	SC			Hgt	Lgt	LHR		
11	F.C. JOUBERT	FCJ 180010	ABM 130108 FCJ 130204	GT DNS	95	116	83	112	100	121	122	100	125	119	126	1.24					
				06.04.18	1.52	20.9	0.58	7.5	10.0	36.6	202	-46	29.8	18	51	-					
					-	239	114														

Lot 11



The Trusted Home of Agriculture
Die Betroubare Tuiste van Landbou

JOUBA BONSMARAS

BULLS | BULLE

LOT: 12 FCJ 180084



FCL 180084

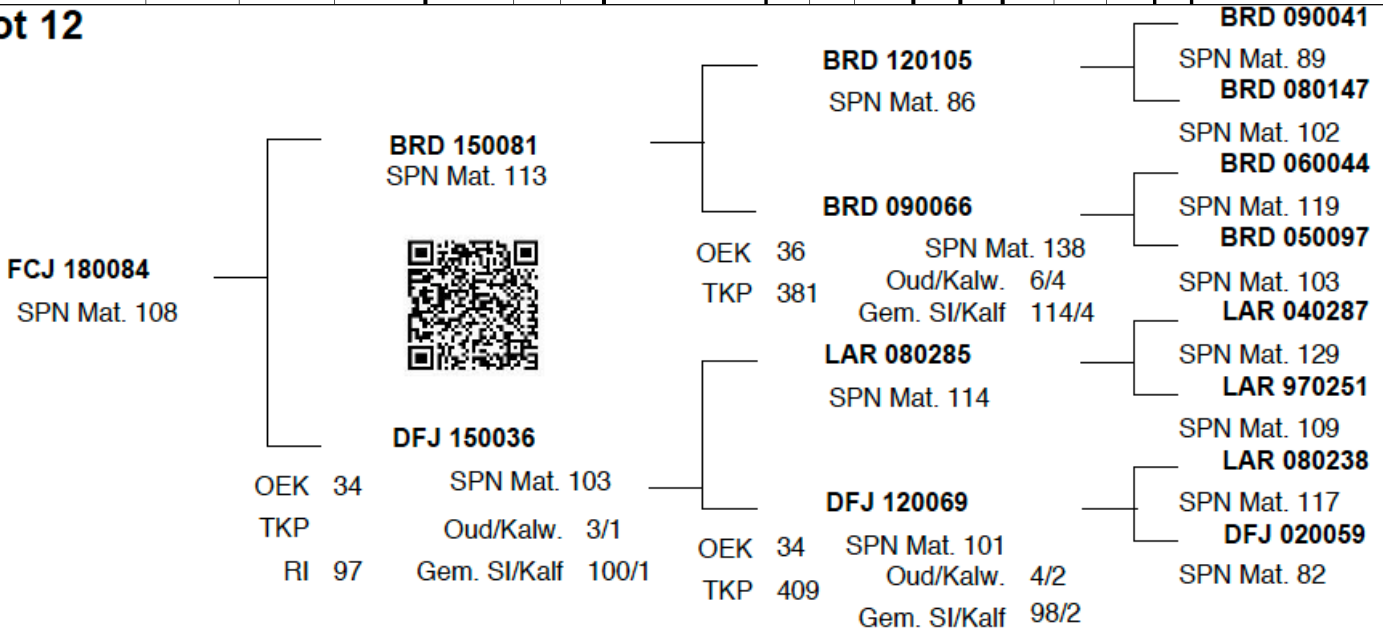
JOUBA BONSMARAS

Geboorte Datum:
11.08.18

KLIK HIER VIR VIDEO
CLICK HERE FOR VIDEO

Lot	Seller	ID	PARENTS	Test	DIRECT CALF TRAITS		DAUGHTER TRAITS			GROWTH		EFF.	REP	MEASURE-MENTS			R:			
					Progeny Birth Weight	Progeny Wean Weight	Ease of Calving	Milk prod.	Mature Weight	Post Wean Weight	Daily Gain			Feed Conv	Height & Length					
12	F.C. JOUBERT	FCJ 180084	BRD 150081 DFJ 150036	SP	Genomic Tested DNA	Birth Dir Acc	Wean Dir Acc	Birth Mat Acc	Wean Mat Acc	Mat Wgt Acc	Post Wean Acc	ADG Acc	FCR Acc	SC Acc	Hgt Acc	Lgt Acc	LHR BWR WWR	Breeder Own Remarks		
					Breeding Value Indexes															
					Birth Date	Wgt kg	Wgt kg	Ind	kg	kg	kg	365d Ind	540d Ind	Ind	Ind	(mm)	(mm)	(mm)	1.26	
					11.08.18	-	246	100	96	110	92	108	113	119	108	99	116	99	111	48.4
						1.47	18.0	0.18	6.3	24.0	35.1	135	-45	22.4	1	30	-			
						54	70	35	43	30	52	62	13	72	74	71				

Lot 12



The Trusted Home of Agriculture
Die Betroubare Tuiste van Landbou

JOUBA BONSMARAS

BULLS | BULLE

LOT: 13 FCJ 180267



FCL 180267

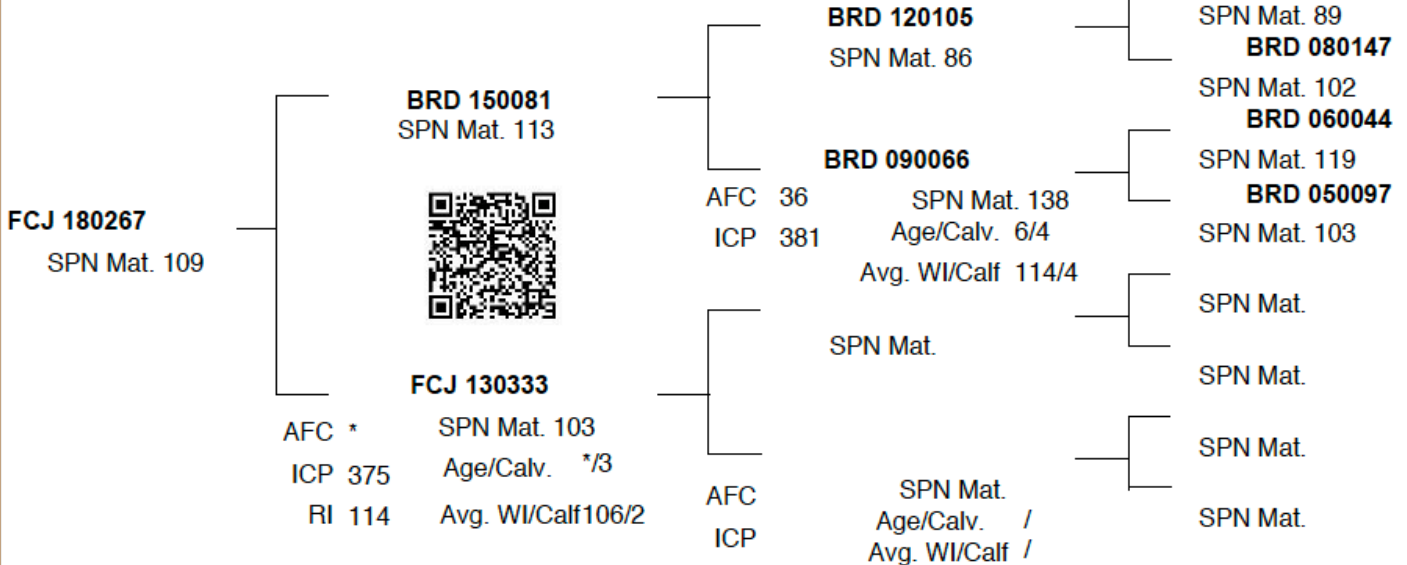
JOUBA BONSMARAS

Geboorte Datum:
08.11.18

KLIK HIER VIR VIDEO
CLICK HERE FOR VIDEO

Lot	Seller	ID	POLLED	Gen	PARENTS		Test	Breeding Value Indexes										LHR	BWR	WWR	Semens	Users	Breeder Own Remarks					
					SIRE	PV		DAM	PV	Birth Dir	Wean Dir	Birth Mat	Wean Mat	Mat Wgt	Post Wean	ADG	FCR							SC	Hgt	Lgt		
13	F.C. JOUBERT	FCJ 180267	B	B	BRD 150081	FCJ 130333	Genomic Tested	Birth Date	Wgt kg	Wgt kg	Ind	kg	kg	kg	365d	540d	Ind	Ind	(mm)	(mm)	(mm)	1.2						
							GIg	100	100		82	109	108	107	104	91	115	109	113									
							DNA	1.03	13.5		0.64	6.4	19.0	26.7	118	-27	21.8	9	32									
							08.11.18	42	63		30	40	20	44	60	8	71	73	69									
								-	235	99					-		110	-	363	1180	1421	45.1						

Lot 13



The Trusted Home of Agriculture
Die Betroubare Tuiste van Landbou

JOUBA BONSMARAS

BULLS | BULLE

LOT: 14 FCJ 180035



FCL 180035

JOUBA BONSMARAS

Geboorte Datum:
26.03.18

KLIK HIER VIR VIDEO
CLICK HERE FOR VIDEO

Lot	Seller	ID	PARENTS	Test	DIRECT CALF TRAITS					DAUGHTER TRAITS			GROWTH		EFF.	REP	MEASUREMENTS		R:	Breeder Own Remarks
					Progeny Birth Weight	Progeny Wean Weight	Ease of Calving	Milk prod.	Mature Weight	Post Wean Weight	Daily Gain	Feed Conv.	Height & Length							
					Genomic Tested	Birth Dir	Wean Dir	Birth Mat	Wean Mat	Mat Wgt	Post Wean	ADG	FCR	SC	Hgt	Lgt	LHR	BWR	WWR	
14	SPRINGBOKSPRUIT BONSMARAS	JH 180035	THE 130012 SIRE GV PV DAM GV PV	PW540	92	118	112	89	108	106	111	108	109	101	108	-	-	-	-	-
			JH 130086	26.03.18	1.82	21.6	-0.76	0.9	18.0	26.4	147	-64	16.6	3	25	-	-	-	-	-
					42	245	100			92	97	-	-	-	-	40.6				

Lot 14

JH 180035
SPN Mat. 89

THE 130012
SPN Mat. 82



JH 130086

AFC * SPN Mat. 94
ICP 372 Age/Calv. *1/5
RI 114 Avg. WI/Calf 96/3

THE 100023
SPN Mat. 96

AFC 28 SPN Mat. 83
ICP 537 Age/Calv. 4/2
Avg. WI/Calf 101/2

NFS 060408

SPN Mat. 101
Silver

JH 990103*

AFC * SPN Mat. 117
ICP 355 Age/Calv. *1/4
Avg. WI/Calf 107/4

THE 060100
SPN Mat. 109
THE 060042

SPN Mat. 95
AG 040303

SPN Mat. 87
THE 010036

SPN Mat. 97
FCT 990022

SPN Mat. 121
NFS 980244

SPN Mat. 106
AG 910241

SPN Mat. 66

SPN Mat.



The Trusted Home of Agriculture
Die Betroubare Tuiste van Landbou

JOUBA BONSMARAS

BULLS | BULLE

LOT: 15 FCJ 180221



FCL 180221

JOUBA BONSMARAS

Geboorte Datum:
06.10.18

KLIK HIER VIR VIDEO
CLICK HERE FOR VIDEO

Lot	Seller	ID	PARENTS	Test	DIRECT CALF TRAITS			DAUGHTER TRAITS			GROWTH		EFF.	REP	MEASUREMENTS			R:	Breeder Own Remarks
					Progeny Birth Weight	Progeny Wean Weight	Ease of Calving	Milk prod.	Mature Weight	Post Wean Weight	Daily Gain	Feed Conv.			Height & Length				
15	F.C. JOUBERT	FCJ 180221	ABM 130103 FCJ 140110	Genomic Tested DNA	Birth Dir	Wean Dir	Birth Mat	Wean Mat	Mat Wgt	Post Wean	ADG	FCR	SC	Hgt	Lgt	LHR	Semens	Users	
					Acc	Acc	Acc	Acc	Acc	Acc	Acc	Acc	Acc	Acc	Acc	Acc			Acc
				Breeding Value Indexes															
				Birth Date	Wgt kg	Wgt kg	Ind	kg	kg	kg	365d Ind	540d Ind	Ind	Ind	(mm)	(mm)	(mm)		
				06.10.18	100	99	90	110	100	101	114	104	88	120	114	1.22			
				DNA	1.00	12.7	0.28	6.9	10.0	22.3	164	-54	0.1	18	34	-			
					41	63	31	40	21	43	61	12	73	69					
					-	260	97			-		106	-	318	1208	1470	51.6		

Lot 15

FCJ 180221
SPN Mat. 110

ABM 130103
SPN Mat. 117



FCJ 140110

AFC * SPN Mat. 103
ICP 430 Age/Calv. */3
RI 101 Avg. Wt/Calf 98/2

ABM 100307
SPN Mat. 98

ABM 090345
AFC 38 SPN Mat. 134
ICP 362 Age/Calv. 7/5
Avg. Wt/Calf 108/4

SPN Mat.

AFC SPN Mat.
ICP Age/Calv. /
Avg. Wt/Calf /

AG 030256



SPN Mat. 86
CAM 050200
SPN Mat. 108
MMJ 030052
SPN Mat. 117
CAM 060338
SPN Mat. 130
SPN Mat.
SPN Mat.
SPN Mat.
SPN Mat.



The Trusted Home of Agriculture
Die Betroubare Tuiste van Landbou

JOUBA BONSMARAS

BULLS | BULLE

LOT: 16 FCJ 180337



FCJ 18-337

FCL 180337

JOUBA BONSMARAS

Geboorte Datum:
03.11.18

KLIK HIER VIR VIDEO
CLICK HERE FOR VIDEO

Lot	Seller	ID	PARENTS	Test	DIRECT CALF TRAITS			DAUGHTER TRAITS			GROWTH		EFF.	REP	MEASUREMENTS			R:	Breeder Own Remarks			
					Progeny Birth Weight	Progeny Wean Weight	Ease of Calving	Milk prod.	Mature Weight	Post Wean Weight	Daily Gain	Feed Conv.			Height & Length							
Lot	Seller	ID	SIRE		Genomic Tested	Breeding Value Indexes											LHR	BWR	WWR	Semens	Users	
			GV	PV		Birth Dir	Wean Dir	Birth Mat	Wean Mat	Mat Wgt	Post Wean	ADG	FCR	SC	Hgt	Lgt						
			DAM	PV		Acc	Acc	Acc	Acc	Acc	Acc	Acc	Acc	Acc	Acc	Acc						
16	F.C. JOUBERT	FCJ 180337	FUZ 140051	DFJ 110034	GTg	99	96	86	113	97	110	117	113	100	115	110	1.19					
				DNA	1.15	11.4	0.45	7.6	6.0	28.7	176	-75	9.7	14	28	-						
				DNA	58	71	44	49	29	54	64	25	73	75	72	-						
				03.11.18	-	309	109						93	-	345	1198	1428	55.7				

Lot 16

AG 020263

FCJ 180337
SPN Mat. 113

FUZ 140051
SPN Mat. 94



DFJ 110034

AFC 36 SPN Mat. 134
ICP 505 Age/Calv. 7/4
RI 87 Avg. WI/Calf 112/4

FUZ 090081
SPN Mat. 88

FUZ 100050
AFC 34 SPN Mat. 106
ICP 397 Age/Calv. 5/3
Avg. WI/Calf 105/3

RGR 040143
SPN Mat. 133

DFJ 050096
AFC 29 SPN Mat. 79
ICP 502 Age/Calv. 8/5
Avg. WI/Calf 89/4

SPN Mat. 71
FUZ 050030

SPN Mat. 107
EI 010200

SPN Mat. 105
FUZ 050122

SPN Mat. 96
FCT 980067

SPN Mat. 99
RGR 010052

SPN Mat. 118
RCO 010033

SPN Mat. 71
DFJ 020059

SPN Mat. 82



The Trusted Home of Agriculture
Die Betroubare Tuiste van Landbou

JOUBA BONSMARAS

BULLS | BULLE

LOT: 17 FCJ 180338



© AffiePlaas Fotografie

FCL 180338

JOUBA BONSMARAS

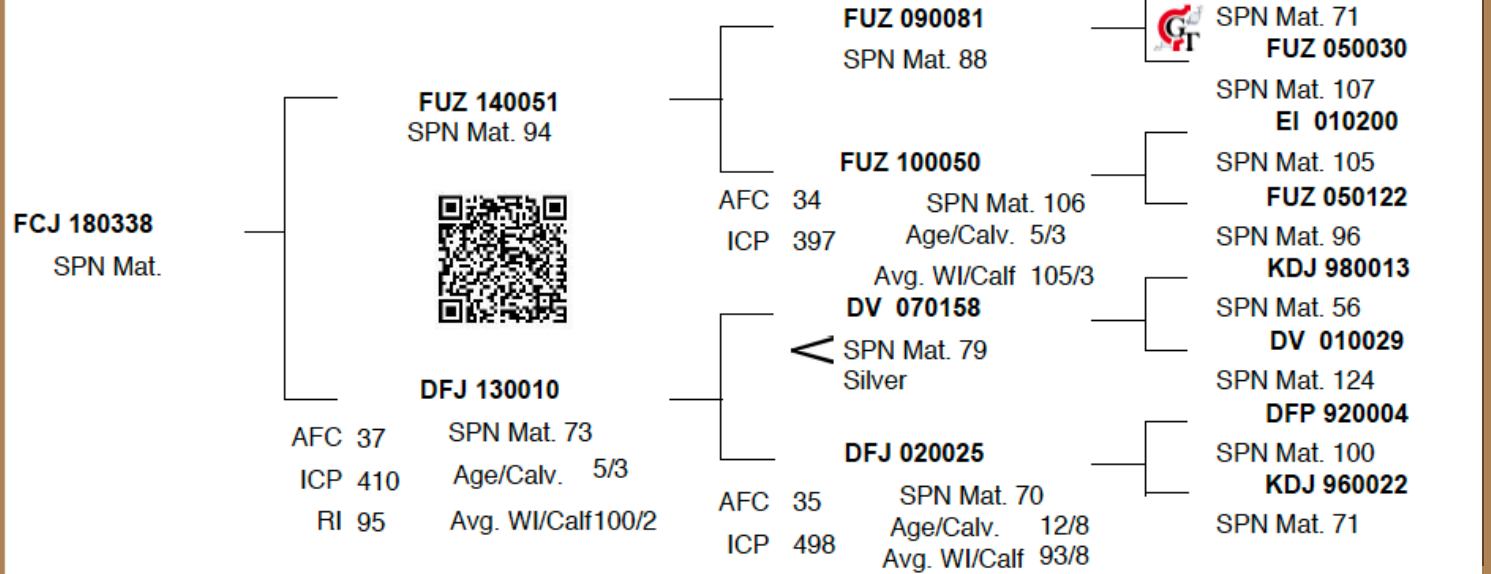
Geboorte Datum:

25.10.18

KLIK HIER VIR VIDEO
CLICK HERE FOR VIDEO

Lot	Seller	ID	POLLED	Gen	PARENTS	Test	DIRECT CALF TRAITS			DAUGHTER TRAITS			GROWTH		EFF.	REP	MEASUREMENTS	R:	Breeder Own Remarks
							Progeny Birth Weight	Progeny Wean Weight	Ease of Calving	Milk prod.	Mature Weight	Post Wean Weight	Daily Gain	Feed Conv					
17	F.C. JOUBERT	FCJ 180338	SP	SP	FUZ 140051	PW540	Birth Dir	Wean Dir	Birth Mat	Wean Mat	Mat Wgt	Post Wean	ADG	FCR	SC	Hgt	Lgt	LHR	
					DFJ 130010	DNA	Acc	Acc	Acc	Acc	Acc	Acc	Acc	Acc	Acc	Acc	Acc	Acc	
						25.10.18	Wgt kg	Wgt kg	kg	kg	kg	365d Ind	540d Ind	Ind	Ind	(mm)	(mm)	(mm)	WWR
							-	289	100	-	-	100	100	-	-	-	-	-	53.5

Lot 17



The Trusted Home of Agriculture
Die Betroubare Tuiste van Landbou



VROULIKE DIERE | SPEENKALWERS

BESKRYWING DESCRIPTION	VID
KOEIE MET KALWERS LOT 18 - 23 TOTAAL 30 + 30	VIDEO
DRAGTIGE KOEIE LOT 24 - 34 TOTAAL 44	VIDEO
DRAGTIGE VERSE LOT 35 - 64 TOTAAL 171	VIDEO
OOP VERSE LOT 65 - 72 TOTAAL 60	VIDEO
SPEENVERSE LOT 73	VIDEO



The Trusted Home of Agriculture
Die Betroubare Tuiste van Landbou