

EXPLANATION OF ABBREVIATIONS IN CATALOGUE

VERDUIDELIKING VAN AFKORTINGS IN KATALOGUS






| | DIRECT CALF TRAITS | DIREKTE KALF EIENSKAPPE | Kalf eienskappe |
|--|--------------------|-------------------------|--|
| Calf traits | DIRECT CALF TRAITS | DIREKTE KALF EIENSKAPPE | Kalf eienskappe |
| Daughter traits | DAUGHTER TRAITS | DOGTER EIENSKAPPE | Dogter eienskappe |
| Growth traits | GROWTH | GROEI | Groei eienskappe |
| Efficiency traits | EFF | DOEL | Doeltreffendheids eienskappe |
| Reproduction traits | REPRODUCTION | REPRODUKSIE | Reproduksie eienskappe |
| Body measurements | MEASURE | MATES | Liggaamsmates |
| Lot number | Lot | Lot | Lotnommer |
| Ratio | R: | V: | Verhouding |
| Identification number | ID | ID | Identifikasienommer |
| Generation/Section of Herdbook | Gen | Gen | Generasie/Afdeling van kuddeboek |
| Weight in kilogram | Wgt kg | Gew kg | Gewig in kilogram |
| Index | Ind | Ind | Indeks |
| Accuracy of breeding value | Acc | Akk | Akkuraatheid van teelwaarde |
| Birth direct (kg) | Birth Dir | Geb Dir | Geboorte direk (kg) |
| Birth maternal (kg) | Birth Mat | Geb Mat | Geboorte maternaal (kg) |
| Wean direct (kg) | Wean Dir | Speen Dir | Speen direk (kg) |
| Wean maternal (kg) | Wean Mat | Speen Mat | Speen maternaal (kg) |
| Mature weight (kg) | Mature Wgt | Volw Gew | Volwasse gewig (kg) |
| 365 Days (kg) | 365d | 365d | 365 Dae (kg) |
| 540 Days (kg) | 540d | 540d | 540 Dae (kg) |
| Average daily gain (g/day) | ADG | GDT | Gemiddelde daaglikse toename (g/dag) |
| Feed conversion ratio | FCR | VOV | Voeromsetverhouding |
| Scrotal circumference (mm) | SC | SO | Skrotum omvang (mm) |
| Age First Calving | AFC | OEK | Ouderdom Eerste Kalwing |
| Inter Calving Period | ICP | TKP | Tussen Kalf Periode |
| Height (mm) | Hgt | Hgt | Hoogte (mm) |
| Length (mm) | Lgt | Lgt | Lengte (mm) |
| Length : Height ratio | LHR | HLV | Lengte : Hoogte verhouding |
| Birth weight : Cow weight ratio | BWR | GGV | Geboortegewig : Koeigewig verhouding |
| Wean weight : Cow weight ratio | WWR | SGV | Speengewig : Koeigewig verhouding |
| Age in years and months / Number of calvings | Age / Calv | Oud / Kalw | Ouderdom in jare en maande / Aantal kalwings |
| Average Wean index / Number of calves | Ave WI / Calf | Gem SI / Kalf | Gemiddelde Speenindeks / Aantal kalwers |
| Reproduction index | R.I. | R.I. | Reproduksie Indeks |
| Polled | Polled | Poena | Poena |
| Post Wean 365 days & Post Wean 540 days | PW365 & PW540 | NS365 & NS540 | Naspeen 365 dae & Naspeen 540 dae |
| Growth test & Growth test group | GT & GTg | GT & GTg | Groei Toets & Groeitoets groep |
| Central test | CT | ST | Sentrale toets |
| Parentage Verification | PV | OV | Ouerskap Verifikasie |
| Sire Verification | SV | VV | Vaderskap Verifikasie |
| Dam Verification | DV | MV | Moederskap Verifikasie |
| Genomically Tested | GT | GT | Genomies Getoets |
| Homozygous Polled (Celtic Test) | PP(c) | PP(c) | Homosigoties Poena (Celtic Toets) |
| Heterozygous Polled (Celtic Test) | Pp(c) | Pp(c) | Heterosigoties Poena (Celtic Toets) |

| Lot | Seller | ID POLLED Gen | PARENTS | | Test | Breeding Value Indexes | | | | | | | | | | | Semen Users | Breeder Own Remarks | | | |
|-----|--------|---------------------|---------------|--------------|------------|--------------------------|------------------|-----------------|------------------|-----------------|----------------|------------------|-------------|------------|-----------|------------|----------------|---------------------|------------|-----|-----|
| | | | SIRE GV PV | DAM GV PV | | Genomic Tested DNA | Birth Dir Acc | Wean Dir Acc | Birth Mat Acc | Wean Mat Acc | Mat Wgt Acc | Post Wean Acc | ADG Acc | FCR Acc | SC Acc | Hgt Acc | | | Lgt Acc | LHR | BWR |
| | | | | | Birth Date | Wgt kg | Wgt kg | Ind | kg | kg | kg | 365d Ind | 540d Ind | Ind | Ind | (mm) | (mm) | (mm) | | | |


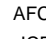
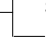


BULLS

| | | | | | | | | | | | | | | | | | | |
|---|-------------------|------------------|------------|----------|------------|------------|------------|------------|------------|------------|------------|------------|------------|------------|------------|------|--|--|
| 1 | EVENWYD BONSMARAS | PAD 180113 SP | CSW 130253 | PW540 | 101 | 110 | 130 | 86 | 112 | 102 | 111 | 112 | 103 | 108 | 109 | - | | |
| | | | CSW 120248 | | 0.94 | 18.3 | -1.59 | -0.1 | 23.0 | 23.4 | 149 | -73 | 12.5 | 8 | 28 | - | | |
| | | | P | 14.11.18 | 34 | 254 | 99 | | 97 | 99 | - | - | - | - | - | - | | |
| 2 | EVENWYD BONSMARAS | PAD 180115 SP | PAD 140098 | PW540 | 98 | 103 | 114 | 104 | 96 | 106 | 98 | 101 | 97 | 96 | 100 | - | | |
| | | | PAD 140402 | DNA | 1.29 | 15.1 | -0.84 | 5.0 | 5.0 | 26.5 | 87 | -50 | 7.9 | -2 | 15 | - | | |
| | | | | 14.11.18 | 34 | 267 | 105 | | 105 | 105 | - | - | - | - | - | - | | |
| 3 | EVENWYD BONSMARAS | PAD 180095 SP | PAD 150459 | PW540 | 94 | 106 | 110 | 104 | 107 | 105 | 107 | 104 | 99 | 108 | 111 | - | | |
| | | | PAD 080032 | DNA | 1.63 | 16.1 | -0.64 | 5.1 | 17.0 | 25.4 | 133 | -55 | 9.5 | 8 | 30 | - | | |
| | | | | 23.10.18 | 34 | 316 | 113 | | 105 | 103 | - | - | - | - | - | - | | |
| 4 | EVENWYD BONSMARAS | PAD 180064 SP | PAD 150095 | PW540 | 112 | 102 | 112 | 95 | 94 | 101 | 99 | 98 | 103 | 94 | 101 | - | | |
| | | | PAD 140077 | DNA | -0.20 | 14.4 | -0.72 | 2.6 | 3.0 | 22.8 | 93 | -44 | 12.2 | -4 | 16 | - | | |
| | | | | 05.09.18 | 32 | 271 | 95 | | 102 | 98 | - | - | - | - | - | - | | |
| 5 | EVENWYD BONSMARAS | AG 180895 SP | AG 140090 | PW540 | 100 | 107 | 105 | 119 | 98 | 108 | 104 | 103 | 97 | 96 | 104 | - | | |
| | | | AG 080166 | DNA | 1.05 | 16.7 | -0.40 | 9.2 | 7.0 | 27.6 | 116 | -53 | 7.5 | -2 | 20 | 7.12 | | |
| | | | | 07.11.18 | 37 | 251 | 100 | | 102 | 101 | - | - | - | - | - | - | | |
| 6 | EVENWYD BONSMARAS | PAD 180087 SP | PAD 160035 | PW540 | 90 | 103 | 113 | 103 | 109 | 102 | 108 | 99 | 109 | 87 | 104 | - | | |
| | | | PAD 150156 | DNA | 2.06 | 15.2 | -0.76 | 4.7 | 20.0 | 23.9 | 136 | -46 | 17.6 | -10 | 21 | - | | |
| | | | | 14.10.18 | 36 | 260 | 100 | | 100 | 100 | - | - | - | - | - | - | | |





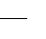
Lot 1

| | | | | | |
|--|---|---|--|--|---|
| <p>PAD 180113 SPN Mat. 86</p>  | <p>CSW 130253 SPN Mat. 82</p> |  | <p>CSW 090137 SPN Mat. 77</p> |  | <p>CSW 050024 SPN Mat. 113</p> |
| | | | <p>CSW 100007 AFC 33 SPN Mat. 106 ICP 425 Age/Calv. 11/8 Avg. Wl/Calf 105/7</p> | | <p>CSW 040029 SPN Mat. 85 LAR 000084 SPN Mat. 101 CSW 060164 SPN Mat. 108 CSW 050024 SPN Mat. 113 CSW 040029 SPN Mat. 85 BG 060072 SPN Mat. 67 CSW 000096 SPN Mat. 110</p> |
| <p>CSW 120248 P AFC 34 SPN Mat. 91 ICP 370 Age/Calv. 8/6 RI 109 Avg. Wl/Calf 103/6</p> |  | <p>CSW 090137 SPN Mat. 77</p> |  | <p>CSW 090049 AFC 30 SPN Mat. 93 ICP 377 Age/Calv. 4/2 Avg. Wl/Calf 108/2</p> | |
| | | | | | |


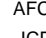



Lot 2

| | | | | | |
|---|---|---|---|---|---|
| <p>PAD 180115 SPN Mat. 104</p>  | <p>PAD 140098 SPN Mat. 101</p> |  | <p>PAD 100227 SPN Mat. 98</p> |  | <p>AG 010258 SPN Mat. 97 EI 050136 SPN Mat. 110 CSW 010014 SPN Mat. 91 SLH 950078 SPN Mat. 120 AG 030119 SPN Mat. 106 PAD 050041 SPN Mat. 95 EI 980080 SPN Mat. 88 AG 920179 SPN Mat. 105</p> |
| | | | <p>PAD 100078 AFC 27 SPN Mat. 108 ICP 384 Age/Calv. 5/4 Avg. Wl/Calf 107/4</p> | | <p>PAD 100048 SPN Mat. 102</p> |
| <p>PAD 140402 AFC 34 SPN Mat. 109 ICP 376 Age/Calv. 6/4 RI 106 Avg. Wl/Calf 102/3</p> |  | |  | | |
| | | | | | |






Lot 3

| | | | | | |
|---|---|---|--|---|--|
| <p>PAD 180095 SPN Mat. 104</p>  | <p>PAD 150459 SPN Mat. 102</p> |  | <p>PAD 130201 SPN Mat. 108</p> |  | <p>FCT 110285 SPN Mat. 112 PAD 060079 SPN Mat. 102 CSW 010014 SPN Mat. 91 AG 000131 SPN Mat. 93 CSW 990060 SPN Mat. 96 CSW 960084 SPN Mat. 118 EI 960151 SPN Mat. 111 EI 940254 SPN Mat. 144</p> |
| | | | <p>PAD 100113 AFC 28 SPN Mat. 93 ICP 614 Age/Calv. 9/5 Avg. Wl/Calf 100/5</p> | | <p>CSW 020243 SPN Mat. 101</p> |
| <p>PAD 080032 AFC 34 SPN Mat. 114 ICP 362 Age/Calv. 13/11 RI 113 Avg. Wl/Calf 105/9</p> |  | |  | | |
| | | | | | |






Lot 4

| | | | | | |
|--|---|---|---|---|---|
| <p>PAD 180064 SPN Mat. 95</p>  | <p>PAD 150095 SPN Mat. 93</p> |  | <p>JRP 120013 SPN Mat. 88</p> |  | <p>LAR 060039 SPN Mat. 56 JRP 090024 SPN Mat. 99 CSW 010014 SPN Mat. 91 AG 040335 SPN Mat. 98 LAR 060224 SPN Mat. 122 LAR 040223 SPN Mat. 95 BHE 010025 SPN Mat. 83 BHE 990103 SPN Mat. 103</p> |
| | | | <p>PAD 090155 AFC 37 SPN Mat. 111 ICP 493 Age/Calv. 7/4 Avg. Wl/Calf 108/3</p> | | <p>LAR 090365 SPN Mat. 113</p> |
| <p>PAD 140077 AFC 28 SPN Mat. 97 ICP 379 Age/Calv. 6/5 RI 114 Avg. Wl/Calf 100/4</p> |  | |  | | |
| | | | | | |

Lot 5

| | | | | | |
|--|---|---|---|---|---|
| <p>AG 180895 SPN Mat. 119</p>  | <p>AG 140090 SPN Mat. 109</p> |  | <p>AG 090751 SPN Mat. 112</p> |  | <p>CEF 040431 SPN Mat. 85 AG 980250 SPN Mat. 126 AG 070176 SPN Mat. 93 AG 980309 SPN Mat. 81 AG 980338 SPN Mat. 87 AG 950206 SPN Mat. 126 AG 980200 SPN Mat. 102 AG 990256 SPN Mat. 136</p> |
| | | | <p>AG 100055 AFC 32 SPN Mat. 101 ICP 430 Age/Calv. 10/7 Avg. Wl/Calf 105/6</p> | | <p>AG 020251 SPN Mat. 121 Gold</p> |
| <p>AG 080166 AFC 25 SPN Mat. 128 ICP 483 Age/Calv. 11/8 RI 98 Avg. Wl/Calf 106/8</p> |  | |  | | |
| | | | | | |

Lot 6


| | | | | | |
|---|---|---|--|--|---|
| <p>PAD 180087 SPN Mat. 103</p>  | <p>PAD 160035 SPN Mat. 106</p> |  | <p>LAR 120455 SPN Mat. 83</p> |  | <p>LAR 090349 SPN Mat. 75 LAR 050015 SPN Mat. 107 LAR 080054 SPN Mat. 115 LAR 050151 SPN Mat. 105 KVB 080103 SPN Mat. 84 KVB 030142 SPN Mat. 102 EI 040038 SPN Mat. 91 JFF 950056 SPN Mat. 97</p> |
| | | | <p>LAR 100316 AFC 33 SPN Mat. 123 ICP 411 Age/Calv. 10/7 Avg. Wl/Calf 105/7</p> | | <p>KVB 110101 SPN Mat. 89</p> |
| <p>PAD 150156 AFC 38 SPN Mat. 101 ICP 412 Age/Calv. 4/2 RI 90 Avg. Wl/Calf 104/2</p> |  | |  | | |
| | | | | | |

| Lot | Verkoper | ID POENA Gen | OUERS VADER GV OV MOEDER GV OV | Toets Genomies Getoets DNS Geb. dat. | DIREKTE KALF EIENSKAPPE | | | | | DOGTER EIENSKAPPE | | | GROEI | | DOEL | REP | MATES | V: | Semen Gebruikers | Gebruiker Eie Opmerkings |
|--------------------|----------|--------------------|--|--|--------------------------------|------------------------|-------------------------|---------------|------------------------|-------------------|----------------------|----------------|-----------------|-----|------|------|-------|-----|---------------------|--------------------------|
| | | | | | Nageslag Geboorte- gewig | Nageslag Speengewig | Gemak van Kalwing | Melk prod. | Volwas- se Gewig | Naspeen- gewig | Daaglikse Toename | Voer- omset | Hoogte & Lengte | | | | | | | |
| Teelwaarde indekse | | | | | | | | | | | | | | | | | | | | |
| | | | | | Geb Dir | Speen Dir | | Geb Mat | Speen Mat | Volw Gew | Naspeen | GDT | VOV | SO | Hgt | Lgt | LHV | GGV | SGV | |
| | | | | | Akk | Akk | | Akk | Akk | Akk | Akk | Akk | Akk | Akk | Akk | Akk | | | | |
| | | | | | Gew kg | Gew kg | Ind | kg | kg | kg | 365d Ind | 540d Ind | Ind | Ind | (mm) | (mm) | (mm) | | | |



BULLE

| | | | | | | | | | | | | | | | | | | | |
|----|-------------------|------------------|--|----------|-------------|------------|-------------|------------|------------|------------|------------|------------|------------|-----------|-----------|------|---|---|--|
| 7 | EVENWYD BONSMARAS | PAD 180101 SP | PAD 140366 <input checked="" type="checkbox"/> | NS540 | 114 | 96 | 119 | 94 | 92 | 92 | 101 | 102 | 94 | 89 | 96 | - | | | |
| | | | CRO 140048 <input checked="" type="checkbox"/> | DNS | -0.44 78 | 11.6 72 | -1.07 48 | 2.1 50 | 1.0 30 | 16.3 66 | 103 33 | -51 19 | 4.7 35 | -8 36 | 9 35 | - | | | |
| | | | | 28.10.18 | 32 | 285 | 101 | | | 101 | 102 | - | - | - | - | - | - | - | |
| 8 | EVENWYD BONSMARAS | PAD 180092 SP | CSW 140006 | NS540 | 98 | 90 | 111 | 102 | 100 | 90 | 90 | 100 | 107 | 85 | 87 | - | | | |
| | | | CSW 080097 | | 1.24 78 | 8.9 74 | -0.71 56 | 4.4 57 | 10.0 47 | 15.4 68 | 50 44 | -47 28 | 15.5 47 | -11 45 | -3 44 | - | | | |
| | | | | 18.10.18 | 36 | 293 | 104 | | | 105 | 102 | - | - | - | - | - | - | - | |
| 10 | EVENWYD BONSMARAS | PAD 180081 SP | PAD 150459 <input checked="" type="checkbox"/> | NS540 | 104 | 95 | 111 | 94 | 85 | 100 | 96 | 98 | 97 | 91 | 98 | - | | | |
| | | | PAD 150160 | DNS | 0.63 76 | 11.5 70 | -0.71 43 | 2.3 46 | -7.0 28 | 22.1 65 | 80 38 | -42 19 | 7.4 41 | -6 42 | 11 40 | - | | | |
| | | | | 09.10.18 | 30 | 287 | 102 | | | 103 | 104 | - | - | - | - | - | - | - | |
| 11 | EVENWYD BONSMARAS | PAD 180141 SP | PAD 160035 <input checked="" type="checkbox"/> | NS540 | 85 | 95 | 112 | 105 | 100 | 98 | 100 | 93 | 99 | 86 | 99 | - | | | |
| | | | PAD 150055 <input checked="" type="checkbox"/> | DNS | 2.57 76 | 11.4 70 | -0.74 44 | 5.2 47 | 10.0 25 | 20.9 64 | 100 34 | -33 13 | 9.4 36 | -11 36 | 13 35 | - | | | |
| | | | | 12.12.18 | 37 | 260 | 102 | | | 106 | 105 | - | - | - | - | - | - | - | |
| 13 | EVENWYD BONSMARAS | PAD 180054 SP | PAD 140389 <input checked="" type="checkbox"/> | NS540 | 95 | 99 | 113 | 91 | 94 | 98 | 95 | 94 | 97 | 88 | 95 | - | | | |
| | | | PAD 150092 | DNS | 1.50 74 | 13.2 68 | -0.79 47 | 1.3 49 | 3.0 33 | 21.0 64 | 75 34 | -35 29 | 7.5 34 | -9 34 | 8 34 | - | | | |
| | | | | 20.06.18 | 35 | 253 | 104 | | | 100 | 98 | - | - | - | - | - | - | - | |
| 14 | EVENWYD BONSMARAS | SYF 180315 SP | VIL 140221 | NS540 | 113 | 95 | 105 | 98 | 89 | 92 | 95 | 97 | 106 | 78 | 88 | - | | | |
| | | | SYF 160046 | | -0.36 78 | 11.2 74 | -0.43 50 | 3.5 53 | -2.0 39 | 16.4 67 | 74 52 | -40 11 | 15.2 54 | -17 55 | -2 54 | 6.67 | | | |
| | | | | 25.12.18 | 32 | 269 | 108 | | | 103 | 102 | - | - | - | - | - | - | - | |



Lot 7

| | | | | | | |
|----------------------------------|---|----------------------------------|---|----------------------------------|--|--|
| PAD 180101 SPN Mat. 94 |  | PAD 140366 SPN Mat. 95 | OEK 35 SPN Mat. 92 TKP 385 Oud/Kalw. 6/4 RI 103 Gem. SI/Kalf 101/3 | PAD 100031 SPN Mat. 90 | OEK 28 SPN Mat. 101 TKP 432 Oud/Kalw. 9/7 Gem. SI/Kalf 106/6 | BG 040039 SPN Mat. 110 AG 960148 SPN Mat. 124 EI 040038 SPN Mat. 91 AG 920096 SPN Mat. 82 CSW 010014 SPN Mat. 91 AG 040266 SPN Mat. 88 FCT 030110 SPN Mat. 86 AG 040176 SPN Mat. 94 |
| | | | | | | |



Lot 8

| | | | | | | | |
|-----------------------------------|---|-----------------------------------|---|---|-----------------------------------|---|--|
| PAD 180092 SPN Mat. 102 |  | CSW 140006 SPN Mat. 103 | OEK 29 SPN Mat. 101 TKP 382 Oud/Kalw. 12/10 RI 112 Gem. SI/Kalf 101/10 |  | MMJ 080086 SPN Mat. 112 | OEK 31 SPN Mat. 99 TKP 392 Oud/Kalw. 11/9 Gem. SI/Kalf 98/7 | MMJ 030164 SPN Mat. 52 MMJ 030151 SPN Mat. 114 CSW 040089 SPN Mat. 88 CSW 050028 SPN Mat. 96 AG 960059 SPN Mat. 110 LAR 970205 SPN Mat. 81 EI 900081 SPN Mat. 76 CSW 930127 SPN Mat. 82 |
| | | | | | | | |



Lot 10

| | | | | | | |
|----------------------------------|---|-----------------------------------|--|-----------------------------------|---|--|
| PAD 180081 SPN Mat. 94 |  | PAD 150459 SPN Mat. 102 | OEK 38 SPN Mat. 90 TKP 368 Oud/Kalw. 5/3 RI 99 Gem. SI/Kalf 101/3 | PAD 130201 SPN Mat. 108 |  | FCT 110285 SPN Mat. 112 PAD 060079 SPN Mat. 102 CSW 010014 SPN Mat. 91 AG 000131 SPN Mat. 93 LAR 060039 SPN Mat. 56 JRP 090024 SPN Mat. 99 AG 010258 SPN Mat. 97 PAD 050016 SPN Mat. 82 |
| | | | | | | |


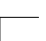
Lot 11

| | | | | | | | |
|-----------------------------------|---|-----------------------------------|--|---|----------------------------------|---|---|
| PAD 180141 SPN Mat. 105 |  | PAD 160035 SPN Mat. 106 | OEK 26 SPN Mat. 101 TKP 427 Oud/Kalw. 5/3 RI 112 Gem. SI/Kalf 103/3 |  | LAR 120455 SPN Mat. 83 | OEK 33 SPN Mat. 123 TKP 411 Oud/Kalw. 10/7 Gem. SI/Kalf 105/7 | LAR 090349 SPN Mat. 75 LAR 050015 SPN Mat. 107 LAR 080054 SPN Mat. 115 LAR 050151 SPN Mat. 105 PAD 090167 SPN Mat. 101 SLH 040024 SPN Mat. 93 CSW 030109 SPN Mat. 97 BHE 030068 SPN Mat. 101 |
| | | | | | | | |

Lot 13

| | | | | | | |
|----------------------------------|---|----------------------------------|---|-----------------------------------|---|--|
| PAD 180054 SPN Mat. 91 |  | PAD 140389 SPN Mat. 93 | OEK 35 SPN Mat. 89 TKP 381 Oud/Kalw. 5/3 RI 102 Gem. SI/Kalf 104/3 | PAD 100048 SPN Mat. 102 |  | AG 030119 SPN Mat. 106 PAD 050041 SPN Mat. 95 EI 980080 SPN Mat. 88 SLH 000114 SPN Mat. 84 BG 960125 SPN Mat. 100 EI 950140 SPN Mat. 100 AG 020224 SPN Mat. 78 SLH 990040 SPN Mat. 76 |
| | | | | | | |

Lot 14

| | | | | | | | |
|----------------------------------|---|-----------------------------------|--|---|----------------------------------|--|--|
| SYF 180315 SPN Mat. 98 |  | VIL 140221 SPN Mat. 100 | OEK 33 SPN Mat. 97 TKP 434 Oud/Kalw. 4/2 RI 99 Gem. SI/Kalf 105/2 |  | GEL 100113 SPN Mat. 93 | OEK 30 SPN Mat. 108 TKP 399 Oud/Kalw. 5/3 Gem. SI/Kalf 111/3 | GEL 060132 SPN Mat. 78 GEL 050008 SPN Mat. 107 ADV 060174 SPN Mat. 90 VIL 070028 SPN Mat. 107 SYF 090010 SPN Mat. 76 SYF 090132 SPN Mat. 117 ADV 040182 SPN Mat. 74 SYF 040043 SPN Mat. 112 |
| | | | | | | | |

| Lot | Seller | ID POLLED Gen | PARENTS | | Test Genomic Tested DNA Birth Date | Breeding Value Indexes | | | | | | | | | | LHR BWR WWR | Semen Users | Breeder Own Remarks | | | |
|-----|--------|---------------------|---------------|--------------|---|------------------------|---------------------|-----------------|------------|---------------|------------------|------------|-----------|-----|--------------|-------------------|-------------|---------------------|-----------------|--|--|
| | | | SIRE GV PV | DAM GV PV | | DIRECT CALF TRAITS | | DAUGHTER TRAITS | | | GROWTH | | EFF. | REP | MEASUREMENTS | | | | R: | | |
| | | | | | | Progeny Birth Weight | Progeny Wean Weight | Ease of Calving | Milk prod. | Mature Weight | Post Wean Weight | Daily Gain | Feed Conv | | | | | | Height & Length | | |
| | | | | | | Birth Dir | Wean Dir | Birth Mat | Wean Mat | Mat Wgt | Post Wean | ADG | FCR | SC | Hgt | Lgt | | | | | |
| | | | | | | Acc | Acc | Acc | Acc | Acc | Acc | Acc | Acc | Acc | Acc | Acc | | | | | |
| | | | | | | Wgt kg | Wgt kg Ind | kg | kg | kg | 365d Ind | 540d Ind | Ind | Ind | (mm) | (mm) | (mm) | | | | |


BULLS

| | | | | | | | | | | | | | | | | | | |
|----|-------------------|------------------|--|----------|------------|------------|-------------|------------|------------|------------|------------|------------|------------|------------|------------|---|--|--|
| 15 | EVENWYD BONSMARAS | PAD 180103 SP | PAD 150459 <input checked="" type="checkbox"/> | PW540 | 106 | 98 | 110 | 97 | 92 | 100 | 98 | 100 | 95 | 87 | 96 | - | | |
| | | | | DNA | 0.40 76 | 12.8 71 | -0.66 45 | 3.0 48 | 1.0 29 | 22.3 66 | 91 42 | -47 20 | 6.0 45 | -9 45 | 9 44 | - | | |
| | | | PAD 150053 <input checked="" type="checkbox"/> | 27.10.18 | 32 | 293 | 104 | | | 101 | 104 | - | - | | | | | |
| 16 | EVENWYD BONSMARAS | PAD 180084 SP | PAD 140366 <input checked="" type="checkbox"/> | PW540 | 96 | 111 | 117 | 98 | 106 | 108 | 115 | 109 | 109 | 100 | 105 | - | | |
| | | | | DNA | 1.50 78 | 18.6 73 | -0.96 49 | 3.3 52 | 17.0 33 | 27.6 66 | 168 33 | -67 20 | 17.2 35 | 1 35 | 22 34 | - | | |
| | | | PAD 120102 <input checked="" type="checkbox"/> | 10.10.18 | 36 | 301 | 107 | | | 106 | 104 | - | - | | | | | |
| 18 | EVENWYD BONSMARAS | PAD 180093 SP | PAD 150459 <input checked="" type="checkbox"/> | PW540 | 93 | 106 | 107 | 105 | 99 | 112 | 103 | 101 | 98 | 96 | 104 | - | | |
| | | | | DNA | 1.75 76 | 16.5 71 | -0.49 43 | 5.2 47 | 9.0 31 | 30.9 66 | 112 41 | -50 19 | 8.2 44 | -2 45 | 20 44 | - | | |
| | | | PAD 160023 <input checked="" type="checkbox"/> | 18.10.18 | 34 | 304 | 109 | | | 106 | 109 | - | - | | | | | |
| 20 | EVENWYD BONSMARAS | PAD 190003 SP | PAD 130392 | PW540 | 89 | 97 | 94 | 99 | 87 | 102 | 95 | 99 | 97 | 91 | 95 | - | | |
| | | | | | 2.15 75 | 12.4 69 | 0.09 40 | 3.5 44 | -4.0 25 | 24.0 61 | 78 29 | -46 17 | 7.4 31 | -6 31 | 7 30 | - | | |
| | | | PAD 150407 | 15.01.19 | 36 | 263 | 93 | | | 105 | 103 | - | - | | | | | |
| 21 | EVENWYD BONSMARAS | PAD 190015 SP | PAD 140098 <input checked="" type="checkbox"/> | PW540 | 87 | 112 | 115 | 102 | 99 | 111 | 100 | 105 | 92 | 97 | 102 | - | | |
| | | | | DNA | 2.39 77 | 19.2 71 | -0.90 46 | 4.4 48 | 9.0 32 | 30.3 64 | 100 37 | -58 19 | 3.6 39 | -1 39 | 18 38 | - | | |
| | | | PAD 140081 <input checked="" type="checkbox"/> | 07.03.19 | 37 | 352 | 97 | | | 102 | 104 | - | - | | | | | |
| 22 | EVENWYD BONSMARAS | PAD 190024 SP | PAD 130392 | PW540 | 95 | 91 | 92 | 97 | 90 | 92 | 93 | 98 | 95 | 88 | 92 | - | | |
| | | | | | 1.52 78 | 9.5 72 | 0.16 49 | 3.1 52 | -1.0 29 | 16.9 63 | 67 29 | -43 22 | 6.1 30 | -9 31 | 4 30 | - | | |
| | | | PAD 110140 | 03.03.19 | 36 | 342 | 94 | | | 101 | 95 | - | - | | | | | |

Lot 15

PAD 180103
SPN Mat. 97

PAD 150459
SPN Mat. 102



PAD 150053
SPN Mat. 93
AFC 26 ICP 388 RI 115
Age/Calv. 5/4
Avg. Wl/Calf 107/4

PAD 130201
SPN Mat. 108

PAD 100113
AFC 28 ICP 614
SPN Mat. 93
Age/Calv. 9/5
Avg. Wl/Calf 100/5

KVB 110101
SPN Mat. 89


AG 040266
AFC 28 ICP 376
SPN Mat. 88
Age/Calv. 12/10
Avg. Wl/Calf 101/10

FCT 110285
SPN Mat. 112
PAD 060079
SPN Mat. 102
CSW 010014
SPN Mat. 91
AG 000131
SPN Mat. 93
KVB 080103
SPN Mat. 84
KVB 030142
SPN Mat. 102
AG 020145
SPN Mat. 91
AG 910157
SPN Mat. 99

Lot 16

PAD 180084
SPN Mat. 98

PAD 140366
SPN Mat. 95



PAD 120102
SPN Mat. 105
AFC 37 ICP 434 RI 96
Age/Calv. 8/5
Avg. Wl/Calf 103/5

PAD 100031
SPN Mat. 90

PAD 070053
AFC 28 ICP 432
SPN Mat. 101
Age/Calv. 9/7
Avg. Wl/Calf 106/6

PAD 060050
SPN Mat. 94


PAD 090055
AFC 27 ICP 386
SPN Mat. 100
Age/Calv. 8/6
Avg. Wl/Calf 103/5

BG 040039
SPN Mat. 110
AG 960148
SPN Mat. 124
EI 040038
SPN Mat. 91
AG 920096
SPN Mat. 82
HJL 000023
SPN Mat. 93
AG 950201
SPN Mat. 114
AG 020220
SPN Mat. 82
PAD 050041
SPN Mat. 95

Lot 18

PAD 180093
SPN Mat. 105

PAD 150459
SPN Mat. 102



PAD 160023
SPN Mat. 108
AFC 32 ICP 373 RI 109
Age/Calv. 5/3
Avg. Wl/Calf 110/2

PAD 130201
SPN Mat. 108

PAD 100113
AFC 28 ICP 614
SPN Mat. 93
Age/Calv. 9/5
Avg. Wl/Calf 100/5

KVB 110101
SPN Mat. 89


AG 090423
AFC 24 ICP 398
SPN Mat. 113
Age/Calv. 6/5
Avg. Wl/Calf 109/5

FCT 110285
SPN Mat. 112
PAD 060079
SPN Mat. 102
CSW 010014
SPN Mat. 91
AG 000131
SPN Mat. 93
KVB 080103
SPN Mat. 84
KVB 030142
SPN Mat. 102
CEF 040431
SPN Mat. 85
AG 980005
SPN Mat. 101

Lot 20

PAD 190003
SPN Mat. 99

PAD 130392
SPN Mat. 99



PAD 150407
SPN Mat. 95
AFC 38 ICP RI 85
Age/Calv. 3/1
Avg. Wl/Calf 93/1

PAD 100031
SPN Mat. 90

PAD 080115
AFC 38 ICP 363
SPN Mat. 102
Age/Calv. 7/5
Avg. Wl/Calf 101/5

PAD 110150
SPN Mat. 98


PAD 120167
AFC 37 ICP
SPN Mat. 91
Age/Calv. 3/1
Avg. Wl/Calf 96/1

BG 040039
SPN Mat. 110
AG 960148
SPN Mat. 124
AG 010258
SPN Mat. 97
CSW 030015
SPN Mat. 106
CEF 050503
SPN Mat. 86
PAD 060004
SPN Mat. 104
PAD 100043
SPN Mat. 91
PAD 080132
SPN Mat. 89

Lot 21

PAD 190015
SPN Mat. 102

PAD 140098
SPN Mat. 101



PAD 140081
SPN Mat. 101
AFC 27 ICP 430 RI 108
Age/Calv. 6/4
Avg. Wl/Calf 97/3

PAD 100227
SPN Mat. 98

PAD 100078
AFC 27 ICP 384
SPN Mat. 108
Age/Calv. 5/4
Avg. Wl/Calf 107/4

LAR 090365
SPN Mat. 113


PAD 090161
AFC 37 ICP 496
SPN Mat. 97
Age/Calv. 6/3
Avg. Wl/Calf 106/3

AG 010258
SPN Mat. 97
EI 050136
SPN Mat. 110
CSW 010014
SPN Mat. 91
SLH 950078
SPN Mat. 120
LAR 060224
SPN Mat. 122
LAR 040223
SPN Mat. 95
CSW 010014
SPN Mat. 91
AG 000131
SPN Mat. 93

Lot 22

PAD 190024
SPN Mat. 97

PAD 130392
SPN Mat. 99



PAD 110140
SPN Mat. 98
AFC 36 ICP 391 RI 104
Age/Calv. 8/6
Avg. Wl/Calf 98/5

PAD 100031
SPN Mat. 90

PAD 080115
AFC 38 ICP 363
SPN Mat. 102
Age/Calv. 7/5
Avg. Wl/Calf 101/5

PAD 080085
SPN Mat. 85

PAD 080204
AFC 33 ICP 381
SPN Mat. 94
Age/Calv. 11/9
Avg. Wl/Calf 98/7

BG 040039
SPN Mat. 110
AG 960148
SPN Mat. 124
AG 010258
SPN Mat. 97
CSW 030015
SPN Mat. 106
AG 010258
SPN Mat. 97
AG 920096
SPN Mat. 82
EI 980080
SPN Mat. 88
SLH 960083
SPN Mat. 93

| Lot | Verkoper | ID POENA Gen | OUERS VADER GV OV MOEDER GV OV | Toets Genomies Getoets DNS Geb. dat. | DIREKTE KALF EIENSKAPPE | | DOGTER EIENSKAPPE | | | GROEI | | DOEL | REP | MATES | | V: | LHV GGV SGV | Semen Gebruikers | Gebruiker Eie Opmerkings | | |
|-----|----------|--------------------|--|--|--------------------------------|------------------------|-------------------------|---------------|------------------------|-------------------|----------------------|-------------|-----|----------------|-----------------|------|-------------------|---------------------|--------------------------|--|--|
| | | | | | Nageslag Geboorte- gewig | Nageslag Speengewig | Gemak van Kalwing | Melk prod. | Volwas- se Gewig | Naspeen- gewig | Daaglikse Toename | | | Voer- omset | Hoogte & Lengte | | | | | | |
| | | | | | Teelwaarde indekse | | | | | | | | | | | | | | | | |
| | | | | | Geb Dir | Speen Dir | | Geb Mat | Speen Mat | Volw Gew | Naspeen | GDT | VOV | SO | Hgt | Lgt | | | | | |
| | | | | | Akk | Akk | | Akk | Akk | Akk | Akk | Akk | Akk | Akk | Akk | Akk | Akk | | | | |
| | | | | | Gew kg | Gew kg | Ind | kg | kg | kg | 365d Ind | 540d Ind | Ind | Ind | (mm) | (mm) | (mm) | | | | |


BULLE

| | | | | | | | | | | | | | | | | | | |
|----|-------------------|------------------|------------|-------|------------|------------|------------|------------|------------|------------|------------|------------|------------|-----------|------------|---|--|--|
| 24 | EVENWYD BONSMARAS | PAD 190030 SP | PAD 150396 | NS540 | 102 | 94 | 121 | 93 | 97 | 95 | 98 | 94 | 96 | 93 | 98 | - | | |
| | | | | | 0.79 | 11.0 | -1.14 | 1.9 | 7.0 | 18.6 | 88 | -35 | 6.7 | -4 | 11 | - | | |
| | | | PAD 160056 | | 75 | 55 | 42 | 42 | 27 | 47 | 32 | 25 | 34 | 34 | 34 | - | | |
| | | | | | 14.04.19 | 32 | 368 | 102 | | 100 | 100 | - | - | - | - | - | | |
| 25 | EVENWYD BONSMARAS | PAD 190062 SP | PAD 150130 | NS540 | 102 | 102 | 105 | 94 | 91 | 102 | 95 | 94 | 103 | 90 | 97 | - | | |
| | | | | | 0.81 | 14.3 | -0.43 | 2.3 | 0.0 | 23.5 | 75 | -34 | 12.2 | -7 | 11 | - | | |
| | | | PAD 150103 | DNS | 76 | 70 | 44 | 50 | 28 | 66 | 31 | 19 | 32 | 33 | 32 | - | | |
| | | | | | 17.07.19 | 35 | 241 | 95 | | 99 | 99 | - | - | - | - | - | | |
| 26 | EVENWYD BONSMARAS | PAD 190082 SP | PAD 130123 | NS540 | 94 | 108 | 123 | 93 | 98 | 108 | 101 | 101 | 100 | 93 | 100 | - | | |
| | | | | | 1.67 | 17.1 | -1.25 | 1.8 | 7.0 | 27.9 | 104 | -49 | 9.7 | -4 | 15 | - | | |
| | | | PAD 150092 | DNS | 74 | 68 | 46 | 48 | 34 | 64 | 34 | 27 | 35 | 36 | 35 | - | | |
| | | | | | 15.09.19 | 36 | 282 | 103 | | 107 | 106 | - | - | - | - | - | | |
| 27 | EVENWYD BONSMARAS | PAD 190080 SP | PAD 150130 | NS540 | 109 | 104 | 107 | 93 | 115 | 107 | 105 | 100 | 112 | 96 | 104 | - | | |
| | | | | | 0.07 | 15.6 | -0.49 | 1.9 | 26.0 | 27.1 | 121 | -48 | 20.1 | -2 | 20 | - | | |
| | | | PAD 110141 | | 78 | 74 | 49 | 54 | 34 | 68 | 36 | 20 | 38 | 39 | 38 | - | | |
| | | | | | 12.09.19 | 33 | 274 | 101 | | 100 | 101 | - | - | - | - | - | | |
| 29 | EVENWYD BONSMARAS | PAD 190090 SP | PAD 150130 | NS540 | 109 | 95 | 103 | 99 | 91 | 100 | 100 | 97 | 101 | 92 | 97 | - | | |
| | | | | | 0.10 | 11.1 | -0.31 | 3.6 | 0.0 | 22.2 | 97 | -41 | 10.4 | -5 | 11 | - | | |
| | | | PAD 150358 | DNS | 76 | 72 | 45 | 51 | 28 | 66 | 29 | 17 | 31 | 31 | 31 | - | | |
| | | | | | 04.10.19 | 34 | 269 | 98 | | 103 | 101 | - | - | - | - | - | | |
| 30 | EVENWYD BONSMARAS | PAD 190098 SP | PAD 150196 | NS540 | 101 | 94 | 105 | 104 | 88 | 95 | 95 | 97 | 103 | 96 | 100 | - | | |
| | | | | | 0.93 | 10.8 | -0.40 | 5.0 | -3.0 | 19.0 | 76 | -41 | 12.5 | -2 | 14 | - | | |
| | | | PAD 080008 | DNS | 78 | 74 | 51 | 53 | 37 | 68 | 37 | 31 | 38 | 38 | 37 | - | | |
| | | | | | 12.10.19 | 34 | 277 | 102 | | 105 | 102 | - | - | - | - | - | | |

Lot 24

PAD 190030
SPN Mat. 93

PAD 150396
SPN Mat. 89



PAD 160056
SPN Mat. 97
Oud/Kalw. 4/2
Gem. SI/Kalf 100/2

OEK 35
TKP 413
RI 98

PAD 130050
SPN Mat. 89

PAD 090026
SPN Mat. 92
Oud/Kalw. 11/9
Gem. SI/Kalf 98/9

OEK 31
TKP 391

MBT 090114
SPN Mat. 103

PAD 070135
SPN Mat. 92
Oud/Kalw. 9/6
Gem. SI/Kalf 99/6


OEK 33
TKP 418

AG 090762
SPN Mat. 75
PAD 070053
SPN Mat. 101
AG 030119
SPN Mat. 106
SLH 000011
SPN Mat. 79
THE 070049
SPN Mat. 73
CEG 060347
SPN Mat. 123
EI 980080
SPN Mat. 88
PAD 050085
SPN Mat. 90

Lot 25

PAD 190062
SPN Mat. 94

PAD 150130
SPN Mat. 96



PAD 150103
SPN Mat. 89
Oud/Kalw. 4/2
Gem. SI/Kalf 103/2

OEK 36
TKP 326
RI 102

KVB 110101
SPN Mat. 89

Elite-Goud

PAD 110060
SPN Mat. 105
Oud/Kalw. 9/8
Gem. SI/Kalf 105/8

OEK 30
TKP 361

JRP 120013
SPN Mat. 88

PAD 070042
SPN Mat. 88
Oud/Kalw. 12/10
Gem. SI/Kalf 102/9


OEK 30
TKP 372

KVB 080103
SPN Mat. 84
KVB 030142
SPN Mat. 102
PAD 060050
SPN Mat. 94
AG 920076
SPN Mat. 113
LAR 060039
SPN Mat. 56
JRP 090024
SPN Mat. 99
SLH 020022
SPN Mat. 99
BHE 030050
SPN Mat. 81

Lot 26

PAD 190082
SPN Mat. 93

PAD 130123
SPN Mat. 97



PAD 150092
SPN Mat. 89
Oud/Kalw. 5/3
Gem. SI/Kalf 104/3

OEK 35
TKP 381
RI 102

PAD 100132
SPN Mat. 84

PAD 110020
SPN Mat. 113
Oud/Kalw. 8/6
Gem. SI/Kalf 111/4

OEK 31
TKP 377

EI 980080
SPN Mat. 88

PAD 050092
SPN Mat. 80
Oud/Kalw. 11/8
Gem. SI/Kalf 102/7


OEK 34
TKP 420

CSW 010014
SPN Mat. 91
PAD 050099
SPN Mat. 87
PAD 060050
SPN Mat. 94
LEL 040040
SPN Mat. 111
BG 960125
SPN Mat. 100
EI 950140
SPN Mat. 100
AG 020224
SPN Mat. 78
SLH 990040
SPN Mat. 76

Lot 27

PAD 190080
SPN Mat. 93

PAD 150130
SPN Mat. 96



PAD 110141
SPN Mat. 95
Oud/Kalw. 9/6
Gem. SI/Kalf 98/5

OEK 25
TKP 506
RI 96

KVB 110101
SPN Mat. 89

Elite-Goud

PAD 110060
SPN Mat. 105
Oud/Kalw. 9/8
Gem. SI/Kalf 105/8

OEK 30
TKP 361

PAD 060050
SPN Mat. 94

CEF 980117
SPN Mat. 107
Oud/Kalw. 17/14
Gem. SI/Kalf 106/13


OEK 32
TKP 400

KVB 080103
SPN Mat. 84
KVB 030142
SPN Mat. 102
PAD 060050
SPN Mat. 94
AG 920076
SPN Mat. 113
HJL 000023
SPN Mat. 93
AG 950201
SPN Mat. 114
CEF 950315
SPN Mat. 83
CEF 950131
SPN Mat. 112

Lot 29

PAD 190090
SPN Mat. 99

PAD 150130
SPN Mat. 96



PAD 150358
SPN Mat. 99
Oud/Kalw. 5/3
Gem. SI/Kalf 98/3

OEK 31
TKP 431
RI 103

KVB 110101
SPN Mat. 89

Elite-Goud

PAD 110060
SPN Mat. 105
Oud/Kalw. 9/8
Gem. SI/Kalf 105/8

OEK 30
TKP 361

PAD 110151
SPN Mat. 95

PAD 120085
SPN Mat. 103
Oud/Kalw. 6/4
Gem. SI/Kalf 93/3


OEK 40
TKP 373

KVB 080103
SPN Mat. 84
KVB 030142
SPN Mat. 102
PAD 060050
SPN Mat. 94
AG 920076
SPN Mat. 113
PAD 090007
SPN Mat. 94
PAD 090026
SPN Mat. 92
LAR 080463
SPN Mat. 117
SLH 030050
SPN Mat. 104

Lot 30

PAD 190098
SPN Mat. 104

PAD 150196
SPN Mat. 96



PAD 080008
SPN Mat. 111
Oud/Kalw. 13/10
Gem. SI/Kalf 104/9

OEK 34
TKP 402
RI 105

JRP 120013
SPN Mat. 88

PAD 080087
SPN Mat. 108
Oud/Kalw. 8/6
Gem. SI/Kalf 103/5

OEK 28
TKP 422

EI 980080
SPN Mat. 88

AG 950155
SPN Mat. 132
Oud/Kalw. 19/14
Gem. SI/Kalf 102/14

OEK 36
TKP 447


LAR 060039
SPN Mat. 56
JRP 090024
SPN Mat. 99
AG 010258
SPN Mat. 97
BG 030091
SPN Mat. 111
BG 960125
SPN Mat. 100
EI 950140
SPN Mat. 100
GB N 0004
SPN Mat. 114
AG 910169
SPN Mat. 101

| Lot | Seller | ID POLLED Gen | PARENTS | | Test | Breeding Value Indexes | | | | | | | | | | | Semen Users | Breeder Own Remarks | | | |
|-----|--------|---------------------|---------------|--------------|------------|--------------------------|------------------|-----------------|------------------|-----------------|----------------|------------------|-------------|------------|-----------|------------|----------------|---------------------|------------|-----|-----|
| | | | SIRE GV PV | DAM GV PV | | Genomic Tested DNA | Birth Dir Acc | Wean Dir Acc | Birth Mat Acc | Wean Mat Acc | Mat Wgt Acc | Post Wean Acc | ADG Acc | FCR Acc | SC Acc | Hgt Acc | | | Lgt Acc | LHR | BWR |
| | | | | | Birth Date | Wgt kg | Wgt kg | Ind | kg | kg | kg | 365d Ind | 540d Ind | Ind | Ind | (mm) | (mm) | (mm) | | | |


BULLS

| | | | | | | | | | | | | | | | | | | |
|----|-------------------|------------------|---|----------|------------|------------|-------------|-----------|-----------|------------|------------|------------|------------|-----------|------------|---|--|--|
| 31 | EVENWYD BONSMARAS | PAD 190087 SP | PAD 150130 <input checked="" type="checkbox"/> | PW540 | 97 | 97 | 104 | 99 | 94 | 99 | 98 | 95 | 102 | 94 | 99 | - | | |
| | | | | DNA | 1.34 76 | 12.3 71 | -0.39 44 | 3.6 50 | 3.0 26 | 21.2 66 | 90 32 | -35 18 | 11.6 34 | -4 35 | 13 34 | - | | |
| | | | PAD 150430 <input checked="" type="checkbox"/> | 04.10.19 | 35 | 274 | 100 | | 104 | 100 | - | - | | | | | | |
| 32 | EVENWYD BONSMARAS | PAD 190070 SP | PAD 150130 | PW540 | 95 | 103 | 105 | 98 | 94 | 104 | 100 | 98 | 103 | 94 | 100 | - | | |
| | | | | DNA | 1.58 78 | 15.1 73 | -0.43 48 | 3.3 54 | 3.0 29 | 24.9 68 | 100 31 | -43 19 | 12.7 33 | -3 33 | 15 33 | - | | |
| | | | PAD 120155 | 15.08.19 | 38 | 266 | 106 | | 107 | 104 | - | - | | | | | | |
| 34 | EVENWYD BONSMARAS | PAD 190092 SP | PAD 150196 <input checked="" type="checkbox"/> | PW540 | 104 | 105 | 119 | 95 | 91 | 103 | 98 | 99 | 101 | 94 | 99 | - | | |
| | | | | DNA | 0.58 78 | 16.0 72 | -1.07 47 | 2.6 50 | 0.0 30 | 24.5 66 | 88 33 | -44 21 | 10.9 35 | -4 35 | 13 35 | - | | |
| | | | PAD 140077 | 06.10.19 | 33 | 273 | 100 | | 98 | 107 | - | - | | | | | | |
| 35 | EVENWYD BONSMARAS | PAD 190061 SP | PAD 150130 <input checked="" type="checkbox"/> | PW540 | 108 | 96 | 111 | 96 | 98 | 97 | 108 | 104 | 106 | 98 | 105 | - | | |
| | | | | DNA | 0.14 78 | 11.9 73 | -0.70 49 | 2.7 54 | 8.0 32 | 19.9 57 | 135 34 | -55 22 | 14.8 36 | -1 36 | 22 36 | - | | |
| | | | PAD 130075 <input checked="" type="checkbox"/> | 17.07.19 | 32 | 241 | 100 | | 97 | 97 | - | - | | | | | | |
| 36 | EVENWYD BONSMARAS | PAD 190034 SP | PAD 150396 <input checked="" type="checkbox"/> | PW540 | 107 | 91 | 121 | 97 | 93 | 94 | 94 | 93 | 96 | 90 | 95 | - | | |
| | | | | DNA | 0.30 75 | 9.7 55 | -1.15 42 | 2.9 43 | 3.0 28 | 18.3 47 | 72 33 | -32 25 | 6.3 35 | -7 35 | 7 34 | - | | |
| | | | PAD 160042 <input checked="" type="checkbox"/> | 26.04.19 | 32 | 381 | 106 | | 104 | 102 | - | - | | | | | | |


Lot 31

| | | | | |
|--|--|--|--|--|
| <p>PAD 190087 SPN Mat. 99</p>  | <p>PAD 150130 SPN Mat. 96</p> | <p>PAD 150430 AFC 36 SPN Mat. 100 ICP 323 Age/Calv. 4/2 RI 102 Avg. WI/Calf 101/2</p> | <p>KVB 110101 SPN Mat. 89</p> <p>Elite-Gold</p> <p>PAD 110060 AFC 30 SPN Mat. 105 ICP 361 Age/Calv. 9/8 Avg. WI/Calf 105/8</p> <p>PAD 130043 SPN Mat. 100</p> <p>SLH 000030 AFC 37 SPN Mat. 102 ICP 441 Age/Calv. 15/11 Avg. WI/Calf 99/10</p> | <p>KVB 080103 SPN Mat. 84</p> <p>KVB 030142 SPN Mat. 102</p> <p>PAD 060050 SPN Mat. 94</p> <p>AG 920076 SPN Mat. 113</p> <p>PAD 090167 SPN Mat. 101</p> <p>SLH 040024 SPN Mat. 93</p> <p>SLH 980082 SPN Mat. 91</p> <p>SLH 930008 SPN Mat. 123</p> |
| | | | | |


Lot 32

| | | | | |
|--|--|---|--|---|
| <p>PAD 190070 SPN Mat. 98</p>  | <p>PAD 150130 SPN Mat. 96</p> | <p>PAD 120155 AFC 37 SPN Mat. 99 ICP 350 Age/Calv. 8/6 RI 109 Avg. WI/Calf 101/5</p> | <p>KVB 110101 SPN Mat. 89</p> <p>Elite-Gold</p> <p>PAD 110060 AFC 30 SPN Mat. 105 ICP 361 Age/Calv. 9/8 Avg. WI/Calf 105/8</p> <p>PAD 090167 SPN Mat. 101</p> <p>PAD 090026 SPN Mat. 92 Age/Calv. 11/9 Avg. WI/Calf 98/9</p> | <p>KVB 080103 SPN Mat. 84</p> <p>KVB 030142 SPN Mat. 102</p> <p>PAD 060050 SPN Mat. 94</p> <p>AG 920076 SPN Mat. 113</p> <p>CSW 010014 SPN Mat. 91</p> <p>SLH 990053 SPN Mat. 110</p> <p>AG 030119 SPN Mat. 106</p> <p>SLH 000011 SPN Mat. 79</p> |
| | | | | |


Lot 34

| | | | | |
|--|--|---|--|--|
| <p>PAD 190092 SPN Mat. 95</p>  | <p>PAD 150196 SPN Mat. 96</p> | <p>PAD 140077 AFC 28 SPN Mat. 97 ICP 379 Age/Calv. 6/5 RI 114 Avg. WI/Calf 100/4</p> | <p>JRP 120013 SPN Mat. 88</p> <p>PAD 080087 AFC 28 SPN Mat. 108 ICP 422 Age/Calv. 8/6 Avg. WI/Calf 103/5</p> <p>LAR 090365 SPN Mat. 113</p> <p>BHE 030050 AFC 28 SPN Mat. 81 ICP 460 Age/Calv. 12/9 Avg. WI/Calf 101/7</p> | <p>LAR 060039 SPN Mat. 56</p> <p>JRP 090024 SPN Mat. 99</p> <p>AG 010258 SPN Mat. 97</p> <p>BG 030091 SPN Mat. 111</p> <p>LAR 060224 SPN Mat. 122</p> <p>LAR 040223 SPN Mat. 95</p> <p>BHE 010025 SPN Mat. 83</p> <p>BHE 990103 SPN Mat. 103</p> |
| | | | | |

Lot 35

| | | | | |
|--|--|--|---|---|
| <p>PAD 190061 SPN Mat. 96</p>  | <p>PAD 150130 SPN Mat. 96</p> | <p>PAD 130075 AFC 29 SPN Mat. 95 ICP 360 Age/Calv. 7/6 RI 115 Avg. WI/Calf 99/6</p> | <p>KVB 110101 SPN Mat. 89</p> <p>Elite-Gold</p> <p>PAD 110060 AFC 30 SPN Mat. 105 ICP 361 Age/Calv. 9/8 Avg. WI/Calf 105/8</p> <p>PAD 100031 SPN Mat. 90</p> <p>AG 960034 AFC 30 SPN Mat. 119 ICP 420 Age/Calv. 19/15 Avg. WI/Calf 100/14</p> | <p>KVB 080103 SPN Mat. 84</p> <p>KVB 030142 SPN Mat. 102</p> <p>PAD 060050 SPN Mat. 94</p> <p>AG 920076 SPN Mat. 113</p> <p>BG 040039 SPN Mat. 110</p> <p>AG 960148 SPN Mat. 124</p> <p>HJL N 0132 SPN Mat. 106</p> <p>AG 930209 SPN Mat. 126</p> |
| | | | | |

Lot 36

| | | | | |
|--|--|---|--|---|
| <p>PAD 190034 SPN Mat. 97</p>  | <p>PAD 150396 SPN Mat. 89</p> | <p>PAD 160042 AFC 36 SPN Mat. 104 ICP 372 Age/Calv. 4/2 RI 98 Avg. WI/Calf 101/2</p> | <p>PAD 130050 SPN Mat. 89</p> <p>PAD 090026 AFC 31 SPN Mat. 92 ICP 391 Age/Calv. 11/9 Avg. WI/Calf 98/9</p> <p>MBT 090114 SPN Mat. 103</p> <p>PAD 080042 AFC 30 SPN Mat. 100 ICP 423 Age/Calv. 11/8 Avg. WI/Calf 101/8</p> | <p>AG 090762 SPN Mat. 75</p> <p>PAD 070053 SPN Mat. 101</p> <p>AG 030119 SPN Mat. 106</p> <p>SLH 000011 SPN Mat. 79</p> <p>THE 070049 SPN Mat. 73</p> <p>CEG 060347 SPN Mat. 123</p> <p>EI 980080 SPN Mat. 88</p> <p>AG 920206 SPN Mat. 106</p> |
| | | | | |