

**EXPLANATION OF ABBREVIATIONS IN CATALOGUE**

**VERDUIDELIKING VAN AFKORTINGS IN KATALOGUS**

Calf traits	DIRECT CALF TRAITS	DIREKTE KALF EIENSKAPPE	Kalf eienskappe
Daughter traits	DAUGHTER TRAITS	DOGTER EIENSKAPPE	Dogter eienskappe
Growth traits	GROWTH	GROEI	Groei eienskappe
Efficiency traits	EFF	DOEL	Doeltreffendheids eienskappe
Reproduction traits	REPRODUCTION	REPRODUKSIE	Reproduksie eienskappe
Body measurements	MEASURE	MATES	Liggaamsmates
Lot number	Lot	Lot	Lotnommer
Ratio	R:	V:	Verhouding
Identification number	ID	ID	Identifikasienommer
Generation/Section of Herdbook	Gen	Gen	Generasie/Afdeling van kuddeboek
Weight in kilogram	Wgt kg	Gew kg	Gewig in kilogram
Index	Ind	Ind	Indeks
Accuracy of breeding value	Acc	Akk	Akkuraatheid van teelwaarde
Birth direct (kg)	Birth Dir	Geb Dir	Geboorte direk (kg)
Birth maternal (kg)	Birth Mat	Geb Mat	Geboorte maternaal (kg)
Wean direct (kg)	Wean Dir	Speen Dir	Speen direk (kg)
Wean maternal (kg)	Wean Mat	Speen Mat	Speen maternaal (kg)
Mature weight (kg)	Mature Wgt	Volw Gew	Volwasse gewig (kg)
365 Days (kg)	365d	365d	365 Dae (kg)
540 Days (kg)	540d	540d	540 Dae (kg)
Average daily gain (g/day)	ADG	GDT	Gemiddelde daaglikse toename (g/dag)
Feed conversion ratio	FCR	VOV	Voeromsetverhouding
Scrotal circumference (mm)	SC	SO	Skrotum omvang (mm)
Age First Calving	AFC	OEK	Ouderdom Eerste Kalwing
Inter Calving Period	ICP	TKP	Tussen Kalf Periode
Height (mm)	Hgt	Hgt	Hoogte (mm)
Length (mm)	Lgt	Lgt	Lengte (mm)
Length : Height ratio	LHR	HLV	Lengte : Hoogte verhouding
Birth weight : Cow weight ratio	BWR	GGV	Geboortegewig : Koeigewig verhouding
Wean weight : Cow weight ratio	WWR	SGV	Speengewig : Koeigewig verhouding
Age in years and months / Number of calvings	Age / Calv	Oud / Kalw	Ouderdom in jare en maande / Aantal kalwings
Average Wean index / Number of calves	Ave WI / Calf	Gem SI / Kalf	Gemiddelde Speenindeks / Aantal kalwers
Reproduction index	R.I.	R.I.	Reproduksie Indeks
Polled	Polled	Poena	Poena
Post Wean 365 days & Post Wean 540 days	PW365 & PW540	NS365 & NS540	Naspeen 365 dae & Naspeen 540 dae
Growth test & Growth test group	GT & GTg	GT & GTg	Groei Toets & Groeitoets groep
Central test	CT	ST	Sentrale toets
Parentage Verification	PV	OV	Ouerskap Verifikasie
Sire Verification	SV	VV	Vaderskap Verifikasie
Dam Verification	DV	MV	Moederskap Verifikasie
Genomically Tested	GT	GT	Genomies Getoets
Homozygous Polled (Celtic Test)	PP(c)	PP(c)	Homosigoties Poena (Celtic Toets)
Heterozygous Polled (Celtic Test)	Pp(c)	Pp(c)	Heterosigoties Poena (Celtic Toets)

Lot	Seller	ID POLLED Gen	PARENTS		Test	Breeding Value Indexes											Semen Users	Breeder Own Remarks			
			SIRE GV PV	DAM GV PV		Genomic Tested DNA	Birth Dir Acc	Wean Dir Acc	Birth Mat Acc	Wean Mat Acc	Mat Wgt Acc	Post Wean Acc	ADG Acc	FCR Acc	SC Acc	Hgt Acc			Lgt Acc	LHR	BWR
					Birth Date	Wgt kg	Wgt kg	Ind	kg	kg	kg	365d Ind	540d Ind	Ind	Ind	(mm)	(mm)	(mm)			

## BULLS


1	FUZ BONSMARAS	PEK 160001	WSS 110049	PW540	<b>111</b>	<b>90</b>	<b>94</b>	<b>100</b>	<b>96</b>	<b>94</b>	<b>107</b>	<b>100</b>	<b>94</b>	<b>103</b>	<b>102</b>	-		
					-0.14	8.8	0.09	4.0	6.0	17.7	132	-49	4.6	4	17	9.59		
		SP	PEK 130045	02.01.16	35	214	<b>91</b>				90	92	-	-		-	-	57.1
2	FUZ BONSMARAS	JFE 140097	FCT 080102	GT	<b>89</b>	<b>115</b>	<b>105</b>	<b>107</b>	<b>102</b>	<b>106</b>	<b>93</b>	<b>92</b>	<b>83</b>	<b>102</b>	<b>106</b>	1.2		
					2.22	20.6	-0.42	6.0	12.0	26.3	65	-33	-3.8	3	22	-		
		SP	JFE 110021	10.10.14	40	285	<b>107</b>				-		<b>102</b>	-	308	1175	1413	60.1
3	FUZ BONSMARAS	GA 150348	AJF 110466	GTg	<b>96</b>	<b>119</b>	<b>96</b>	<b>103</b>	<b>109</b>	<b>115</b>	<b>113</b>	<b>108</b>	<b>94</b>	<b>120</b>	<b>114</b>	1.16		
					1.47	22.2	0.01	4.8	20.0	32.7	158	-67	4.9	17	34	-		
		SP	AJF 120225	10.11.15	37	269	<b>130</b>				-		<b>102</b>	-	338	1168	1357	52.3
4	FUZ BONSMARAS	LMR 130374	AG 100008	GT	<b>99</b>	<b>122</b>	<b>128</b>	<b>106</b>	<b>110</b>	<b>120</b>	<b>108</b>	<b>114</b>	<b>102</b>	<b>87</b>	<b>98</b>	1.17		
					1.11	23.9	-1.47	5.6	21.0	36.1	133	-80	11.3	-10	12	-		
		SP	LMR 090221	10.11.13	40	240	<b>106</b>				-		<b>98</b>	-	340	1154	1347	50.5
5	FUZ BONSMARAS	CEF 150536	CEF 100304	GT	<b>119</b>	<b>99</b>	<b>109</b>	<b>97</b>	<b>96</b>	<b>101</b>	<b>111</b>	<b>106</b>	<b>94</b>	<b>93</b>	<b>99</b>	1.22		
					-0.96	13.2	-0.62	3.0	6.0	22.5	151	-62	4.7	-5	13	6.97		
		SP	CEF 090242	25.09.15	35	278	<b>106</b>				-		<b>93</b>	-	351	1164	1417	47.2
6	FUZ BONSMARAS	AG 150747	AG 110192	PW540	<b>82</b>	<b>110</b>	<b>124</b>	<b>94</b>	<b>95</b>	<b>116</b>	<b>102</b>	<b>104</b>	<b>121</b>	<b>89</b>	<b>98</b>	-		
					2.95	18.0	-1.28	2.2	4.0	33.6	105	-58	26.9	-8	11	7.35		
		SP	AG 080156	23.10.15	36	223	<b>93</b>				109	106	-	-		-	-	42.6

1.02	13.5	-0.19	3.9	10	22	97	-50	9.8	1	14
------	------	-------	-----	----	----	----	-----	-----	---	----

**Lot 1**

**PEK 160001**  
SPN Mat. 100

**WSS 110049**  
SPN Mat. 100



**PEK 130045**

AFC 27 SPN Mat. 98  
 ICP 551 Age/Calv. 7/4  
 RI 93 Avg. WI/Calf 100/3

**WSS 070014 P**  
SPN Mat. 80

**WAT 990126 P**  
AFC 34 SPN Mat. 127  
 ICP 372 Age/Calv. 14/11  
 Avg. WI/Calf 107/10

**KVB 060084**  
SPN Mat. 82


**PEK 060031**  
AFC \* SPN Mat. 112  
 ICP 481 Age/Calv. \*/6  
 Avg. WI/Calf 101/5

**MJG 040071 P**  
SPN Mat. 85  
**HJB 990310**  
SPN Mat. 59  
**AG 910271**  
SPN Mat. 111  
**WAT 970002**  
SPN Mat. 110  
**AG 980338**  
SPN Mat. 87  
**KVB 980014**  
SPN Mat. 82

**Lot 2**

**JFE 140097**  
SPN Mat. 107

**FCT 080102**  
SPN Mat. 122



Elite-Bronze  
**JFE 110021**

AFC 28 SPN Mat. 91  
 ICP 376 Age/Calv. 8/7  
 RI 114 Avg. WI/Calf 100/7

**FCT 050041**  
SPN Mat. 96

**FCT 050164**  
AFC 30 SPN Mat. 152  
 ICP 406 Age/Calv. 7/5  
 Avg. WI/Calf 123/4

**CEF 050400**  
SPN Mat. 81  
 Silver


**JPL 080087**  
AFC 30 SPN Mat. 100  
 ICP 363 Age/Calv. 5/3  
 Avg. WI/Calf 103/3

**BG 000081**  
SPN Mat. 114  
**FCT 010138**  
SPN Mat. 82  
**FCT 030096**  
SPN Mat. 117  
**FCT 020126**  
SPN Mat. 117  
**CEF 020328**  
SPN Mat. 87  
**CEF 920104**  
SPN Mat. 94  
**JPL 050132 P**  
SPN Mat. 77  
**DFP 990273**  
SPN Mat. 124

**Lot 3**

**GA 150348**  
SPN Mat. 103

**AJF 110466**  
SPN Mat. 103



**AJF 120225**

AFC 24 SPN Mat. 111  
 ICP 467 Age/Calv. 7/5  
 RI 106 Avg. WI/Calf 109/3

**AJF 080174**  
SPN Mat. 94

**AJF 090030**  
AFC 31 SPN Mat. 110  
 ICP 399 Age/Calv. 8/6  
 Avg. WI/Calf 107/6

**AJF 070139**  
SPN Mat. 87


**AJF 080179**  
AFC 28 SPN Mat. 91  
 ICP 492 Age/Calv. 5/3  
 Avg. WI/Calf 101/3

**AG 020220**  
SPN Mat. 82  
**AJF 980357**  
SPN Mat. 98  
**AG 050439**  
SPN Mat. 79  
**AJF 060025**  
SPN Mat. 108  
**BHE 040058**  
SPN Mat. 89  
**AJF 010236**  
SPN Mat. 82  
**AG 020220**  
SPN Mat. 82  
**CEF 940055**  
SPN Mat. 102

**Lot 4**

**LMR 130374**  
SPN Mat. 106

**AG 100008**  
SPN Mat. 94



**LMR 090221**

AFC 37 SPN Mat. 101  
 ICP 428 Age/Calv. 10/7  
 RI 98 Avg. WI/Calf 102/7

**AG 060481**  
SPN Mat. 89

**AG 970106**  
AFC 26 SPN Mat. 80  
 ICP 392 Age/Calv. 15/13  
 Avg. WI/Calf 95/12

**LMR 060150**  
SPN Mat. 92  
 Silver


**LMR 060259**  
AFC 35 SPN Mat. 111  
 ICP 389 Age/Calv. 6/4  
 Avg. WI/Calf 107/4

**LAR 010176**  
SPN Mat. 80  
**AG 970157**  
SPN Mat. 105  
**AG J 0008**  
SPN Mat. 88  
**AG 950012**  
SPN Mat. 120  
**AG 980159**  
SPN Mat. 73  
**AG 010266**  
SPN Mat. 103  
**LMR 040196**  
SPN Mat. 91  
**LMR 040029**  
SPN Mat. 111

**Lot 5**

**CEF 150536**  
SPN Mat. 97

**CEF 100304**  
SPN Mat. 99



**CEF 090242**

AFC 29 SPN Mat. 100  
 ICP 391 Age/Calv. 9/7  
 RI 111 Avg. WI/Calf 108/6

**CEF 080025**  
SPN Mat. 126

**CEF 070151**  
AFC 31 SPN Mat. 109  
 ICP 388 Age/Calv. 13/11  
 Avg. WI/Calf 104/9

**CEF 060473**  
SPN Mat. 103


**CEF 070130**  
AFC 27 SPN Mat. 69  
 ICP 462 Age/Calv. 7/5  
 Avg. WI/Calf 93/5

**AG 020251**  
SPN Mat. 121  
**CEF 020146**  
SPN Mat. 111  
**CEF 040415**  
SPN Mat. 94  
**CEF 030096**  
SPN Mat. 120  
**WAT 030060**  
SPN Mat. 105  
**CEF 970051**  
SPN Mat. 71  
**CEF 050392**  
SPN Mat. 74  
**CEF 050050**  
SPN Mat. 66

**Lot 6**

**AG 150747**  
SPN Mat. 94

**AG 110192**  
SPN Mat. 85



**AG 080156**

AFC 25 SPN Mat. 91  
 ICP 368 Age/Calv. 12/11  
 RI 117 Avg. WI/Calf 101/8

**VV 070012**  
SPN Mat. 110  
 Gold

**AG 030031**  
AFC 30 SPN Mat. 88  
 ICP 475 Age/Calv. 12/8  
 Avg. WI/Calf 99/8

**AG 020251**  
SPN Mat. 121  
 Gold

**AG 040285**  
AFC 22 SPN Mat. 70  
 ICP 349 Age/Calv. 11/11  
 Avg. WI/Calf 100/9


**VV 040046**  
SPN Mat. 114  
**VV 040214**  
SPN Mat. 111  
**AG 990142**  
SPN Mat. 91  
**AG 980093**  
SPN Mat. 90  
**AG 980338**  
SPN Mat. 87  
**AG 950206**  
SPN Mat. 126  
**RAI 990034**  
SPN Mat. 88  
**AG 960341**  
SPN Mat. 75

Lot	Verkoper	ID POENA Gen	OUERS VADER GV OV MOEDER GV OV	Toets Genomies Getoets DNS Geb. dat.	DIREKTE KALF EIENSKAPPE		DOGTER EIENSKAPPE			GROEI		DOEL	REP	MATES		V:	Semen Gebruikers	Gebruiker Eie Opmerkings
					Nageslag Geboorte- gewig	Nageslag Speengewig	Gemak van Kalwing	Melk prod.	Volwas- se Gewig	Naspeen- gewig	Daaglikse Toename			Voer- omset	Hoogte & Lengte			
Teelwaarde indekse																		
					Geb Dir	Speen Dir		Geb Mat	Speen Mat	Volw Gew	Naspeen	GDT	VOV	SO	Hgt	Lgt	LHV	
					Akk	Akk		Akk	Akk	Akk	Akk	Akk	Akk	Akk	Akk	Akk	GGV	
					Gew kg	Gew kg	Ind	kg	kg	kg	365d Ind	540d Ind	Ind	Ind	(mm)	(mm)	(mm)	


## BULLE

7	FUZ BONSMARAS	FUZ 170023	LMR 130374	GT	<b>85</b>	<b>112</b>	<b>105</b>	<b>104</b>	<b>102</b>	<b>108</b>	<b>98</b>	<b>105</b>	<b>97</b>	<b>97</b>	<b>95</b>	1.15		
					2.57	19.1	-0.43	5.0	12.0	27.4	89	-61	7.7	-1	8	-		
				FUZ 140042	76	70	47	50	38	58	65	31	73	75	72			
		SP		30.08.17	42	266	<b>96</b>			-	<b>90</b>	-	348	1197	1374	53.7		
8	FUZ BONSMARAS	FUZ 180005	FUZ 150063	GT	<b>103</b>	<b>116</b>	<b>100</b>	<b>99</b>	<b>111</b>	<b>117</b>	<b>120</b>	<b>111</b>	<b>99</b>	<b>114</b>	<b>112</b>	1.17		
					0.65	21.1	-0.19	3.6	22.0	34.5	190	-75	9.4	13	31	7.98		
				FUZ 160022	77	69	46	47	40	53	63	16	72	74	71			
		SP		16.09.18	32	271	<b>115</b>			-	<b>122</b>	-	314	1200	1398	60.9		
9	FUZ BONSMARAS	FUZ 180095	FUZ 150085	GT	<b>72</b>	<b>106</b>	<b>110</b>	<b>105</b>	<b>102</b>	<b>103</b>	<b>108</b>	<b>103</b>	<b>109</b>	<b>103</b>	<b>103</b>	1.19		
					4.01	16.2	-0.63	5.2	13.0	24.4	134	-57	16.9	4	18	9.24		
				FUZ 130096	78	71	49	51	40	56	64	23	73	75	72			
		SP		21.10.18	44	271	<b>99</b>			-	<b>109</b>	-	335	1186	1407	48.9		
10	FUZ BONSMARAS	FUZ 180219	MC 120238	GT	<b>67</b>	<b>109</b>	<b>120</b>	<b>104</b>	<b>112</b>	<b>109</b>	<b>108</b>	<b>106</b>	<b>104</b>	<b>93</b>	<b>102</b>	1.18		
					4.54	17.6	-1.11	4.9	24.0	28.5	134	-62	13.2	-5	18	7.56		
				FUZ 140122	76	71	49	52	41	57	65	23	73	75	72			
		SP		23.12.18	43	270	<b>102</b>			-	<b>99</b>	-	354	1137	1340	43.3		
11	FUZ BONSMARAS	FUZ 180061	JFE 140097	GT	<b>91</b>	<b>96</b>	<b>105</b>	<b>94</b>	<b>90</b>	<b>87</b>	<b>89</b>	<b>92</b>	<b>81</b>	<b>96</b>	<b>98</b>	1.17		
					1.95	11.6	-0.43	2.1	-1.0	12.4	46	-32	-5.6	-2	11	9.4		
				FUZ 150062	76	71	47	49	41	53	64	20	73	75	72			
		SP		11.10.18	36	241	<b>90</b>			-	<b>90</b>	-	319	1151	1352	47.9		
12	FUZ BONSMARAS	FUZ 180163	JFE 140097	GT	<b>100</b>	<b>111</b>	<b>111</b>	<b>93</b>	<b>103</b>	<b>106</b>	<b>103</b>	<b>101</b>	<b>95</b>	<b>110</b>	<b>107</b>	1.15		
					1.03	18.6	-0.68	1.9	13.0	26.4	113	-51	5.9	10	24	6.83		
				FUZ 140168	75	71	45	50	40	58	66	27	74	76	73			
		SP		12.11.18	34	284	<b>110</b>			-	<b>99</b>	-	334	1178	1358	-		


### Lot 7

<p><b>FUZ 170023</b> SPN Mat. 104</p>	<p><b>LMR 130374</b> SPN Mat. 106</p> 	<p><b>AG 100008</b> SPN Mat. 94</p> <p><b>AG 060481</b> SPN Mat. 89 <b>AG 970106</b> SPN Mat. 80 <b>LMR 060150</b> SPN Mat. 92 <b>LMR 090221</b> SPN Mat. 101 OEK 37 Oud/Kalw. 10/7 TKP 428 Gem. SI/Kalf 102/7 <b>DBP 100268</b> SPN Mat. 108 Brons <b>FUZ 110016</b> SPN Mat. 91 OEK 26 Oud/Kalw. 4/3 TKP 359 Gem. SI/Kalf 100/2</p>
<p>OEK 35 SPN Mat. 100 TKP 395 Oud/Kalw. 5/3 RI 101 Gem. SI/Kalf 98/2</p>	<p><b>FUZ 140042</b></p>	<p><b>AG 060481</b> SPN Mat. 89 <b>AG 970106</b> SPN Mat. 80 <b>LMR 060150</b> SPN Mat. 92 <b>LMR 090221</b> SPN Mat. 101 OEK 37 Oud/Kalw. 10/7 TKP 428 Gem. SI/Kalf 102/7 <b>DBP 100268</b> SPN Mat. 92 <b>DFP 060067</b> SPN Mat. 111 <b>DFP 020040</b> SPN Mat. 96 <b>VV 080374</b> SPN Mat. 101 <b>FUZ 070072</b> SPN Mat. 83</p>


### Lot 8

<p><b>FUZ 180005</b> SPN Mat. 99</p>	<p><b>FUZ 150063</b> SPN Mat. 98</p> 	<p><b>FUZ 090081</b> SPN Mat. 89</p> <p><b>AG 020263</b> SPN Mat. 67 <b>FUZ 050030</b> SPN Mat. 108 <b>AJ 080015</b> SPN Mat. 101 <b>FUZ 070092</b> SPN Mat. 119 <b>VV 050036</b> SPN Mat. 86 <b>VV 020096</b> SPN Mat. 99 <b>AG 020263</b> SPN Mat. 67 <b>FUZ 090106</b> SPN Mat. 111</p>
<p>OEK 24 SPN Mat. 104 TKP 402 Oud/Kalw. 4/3 RI 118 Gem. SI/Kalf 108/2</p>	<p><b>FUZ 160022</b></p>	<p><b>FUZ 090081</b> SPN Mat. 89 OEK 35 SPN Mat. 117 TKP 373 Oud/Kalw. 8/6 Gem. SI/Kalf 105/5 <b>VV 080374</b> SPN Mat. 101 <b>FUZ 130102</b> SPN Mat. 91 OEK 35 Oud/Kalw. 6/4 TKP 371 Gem. SI/Kalf 96/3</p>


### Lot 9

<p><b>FUZ 180095</b> SPN Mat. 105</p>	<p><b>FUZ 150085</b> SPN Mat. 86</p> 	<p><b>PER 010038</b> SPN Mat. 60 <b>LPS 990032</b> SPN Mat. 89 <b>RCO 980045</b> SPN Mat. 58 <b>FUZ 030112</b> SPN Mat. 125 <b>AG 020263</b> SPN Mat. 67 <b>FUZ 040136</b> SPN Mat. 91 <b>DDJ 040034</b> SPN Mat. 129 <b>FUZ 050092</b> SPN Mat. 92</p>
<p>OEK 34 SPN Mat. 117 TKP 374 Oud/Kalw. 7/5 RI 107 Gem. SI/Kalf 105/4</p>	<p><b>FUZ 130096</b></p>	<p><b>LPS 060117</b> SPN Mat. 70 Goud <b>FUZ 060140</b> SPN Mat. 103 OEK 28 Oud/Kalw. 13/11 TKP 387 Gem. SI/Kalf 106/11 <b>FUZ 100131</b> SPN Mat. 100 <b>FUZ 090092</b> SPN Mat. 120 OEK 36 Oud/Kalw. 5/3 TKP 372 Gem. SI/Kalf 106/3</p>


### Lot 10

<p><b>FUZ 180219</b> SPN Mat. 104</p>	<p><b>MC 120238</b> SPN Mat. 111</p> 	<p><b>AG 020251</b> SPN Mat. 121 <b>CEF 020146</b> SPN Mat. 111 <b>LMR 030096</b> SPN Mat. 44 <b>PMB 020084</b> SPN Mat. 98 <b>LPS 060117</b> SPN Mat. 70 <b>FUZ 060070</b> SPN Mat. 98 <b>DDJ 040034</b> SPN Mat. 129 <b>FUZ 040136</b> SPN Mat. 91</p>
<p>OEK 34 SPN Mat. 92 TKP 417 Oud/Kalw. 5/3 RI 100 Gem. SI/Kalf 104/2</p>	<p><b>FUZ 140122</b></p>	<p><b>CEF 080025</b> SPN Mat. 126 <b>LMR 080159</b> SPN Mat. 68 OEK 28 Oud/Kalw. 12/10 TKP 401 Gem. SI/Kalf 96/9 <b>FUZ 110049</b> SPN Mat. 82 <b>FUZ 090144</b> SPN Mat. 100 OEK 34 Oud/Kalw. 10/8 TKP 380 Gem. SI/Kalf 97/8</p>

### Lot 11

<p><b>FUZ 180061</b> SPN Mat. 94</p>	<p><b>JFE 140097</b> SPN Mat. 107</p> 	<p><b>FCT 050041</b> SPN Mat. 96 <b>FCT 050164</b> SPN Mat. 152 <b>CEF 050400</b> SPN Mat. 81 <b>JPL 080087</b> SPN Mat. 100 <b>CEW 080056</b> SPN Mat. 54 <b>FUZ 080042</b> SPN Mat. 98 <b>AG 020263</b> SPN Mat. 67 <b>FUZ 980080</b> SPN Mat. 127</p>
<p>OEK 24 SPN Mat. 76 TKP 374 Oud/Kalw. 4/3 RI 121 Gem. SI/Kalf 97/2</p>	<p><b>FUZ 150062</b></p>	<p><b>FCT 080102</b> SPN Mat. 122 Elite-Brons <b>JFE 110021</b> SPN Mat. 91 OEK 28 Oud/Kalw. 8/7 TKP 376 Gem. SI/Kalf 100/7 <b>FUZ 120101</b> SPN Mat. 58 <b>FUZ 110096</b> SPN Mat. 98 OEK 25 Oud/Kalw. 9/8 TKP 369 Gem. SI/Kalf 97/6</p>

### Lot 12

<p><b>FUZ 180163</b> SPN Mat. 93</p>	<p><b>JFE 140097</b> SPN Mat. 107</p> 	<p><b>FCT 050041</b> SPN Mat. 96 <b>FCT 050164</b> SPN Mat. 152 <b>CEF 050400</b> SPN Mat. 81 <b>JPL 080087</b> SPN Mat. 100 <b>PER 010038</b> SPN Mat. 60 <b>LPS 990032</b> SPN Mat. 89 <b>EI 010200</b> SPN Mat. 103 <b>FUZ 040068</b> SPN Mat. 65</p>
<p>OEK 33 SPN Mat. 83 TKP 442 Oud/Kalw. 4/2 RI 99 Gem. SI/Kalf 108/2</p>	<p><b>FUZ 140168</b></p>	<p><b>FCT 080102</b> SPN Mat. 122 Elite-Brons <b>JFE 110021</b> SPN Mat. 91 OEK 28 Oud/Kalw. 8/7 TKP 376 Gem. SI/Kalf 100/7 <b>LPS 060117</b> SPN Mat. 70 Goud <b>FUZ 080132</b> SPN Mat. 80 OEK 34 Oud/Kalw. 11/9 TKP 368 Gem. SI/Kalf 97/9</p>

Lot	Seller	ID POLLED Gen	PARENTS		Test Genomic Tested DNA Birth Date	Breeding Value Indexes										LHR BWR WWR	Semen Users	Breeder Own Remarks
			SIRE GV PV	DAM GV PV		Birth Dir Acc	Wean Dir Acc	Birth Mat Acc	Wean Mat Acc	Mat Wgt Acc	Post Wean Acc	ADG Acc	FCR Acc	SC Acc	Hgt Acc			
						Progeny Birth Weight	Progeny Wean Weight	Ease of Calving	Milk prod.	Mature Weight	Post Wean Weight	Daily Gain	Feed Conv	Height & Length	R:			
						Wgt kg	Wgt kg	Ind	kg	kg	kg	365d Ind	540d Ind	Ind	Ind	(mm)	(mm)	(mm)


## BULLS

13	FUZ BONSMARAS	FUZ 180135	JFE 140097	GT	<b>80</b>	<b>110</b>	<b>112</b>	<b>98</b>	<b>100</b>	<b>95</b>	<b>80</b>	<b>85</b>	<b>73</b>	<b>96</b>	<b>94</b>	1.14		
					3.13	18.1	-0.74	3.3	10.0	18.2	5	-16	-12.1	-2	6	9.66		
		SP	FUZ 150080	02.11.18	40	279	<b>105</b>				-		<b>96</b>	-	307	1134	1292	62
14	FUZ BONSMARAS	FUZ 180107	MC 120238	GT	<b>53</b>	<b>111</b>	<b>77</b>	<b>98</b>	<b>110</b>	<b>109</b>	<b>100</b>	<b>102</b>	<b>89</b>	<b>94</b>	<b>102</b>	1.19		
					6.02	18.7	0.86	3.5	21.0	28.7	97	-53	0.8	-4	17	8.75		
		SP	FUZ 110102	23.10.18	49	278	<b>100</b>				-		<b>106</b>	-	324	1169	1387	44.7
15	FUZ BONSMARAS	FUZ 180209	LMR 130374	GT	<b>99</b>	<b>117</b>	<b>117</b>	<b>93</b>	<b>113</b>	<b>110</b>	<b>101</b>	<b>101</b>	<b>103</b>	<b>98</b>	<b>103</b>	1.17		
					1.08	21.2	-0.98	2.0	24.0	28.9	102	-53	12.5	-1	18	7.42		
		SP	FUZ 150172	08.12.18	35	273	<b>107</b>				-		<b>99</b>	-	348	1150	1342	-
16	FUZ BONSMARAS	FUZ 180193	ABB 120321	GT	<b>81</b>	<b>104</b>	<b>95</b>	<b>98</b>	<b>96</b>	<b>108</b>	<b>110</b>	<b>101</b>	<b>100</b>	<b>117</b>	<b>112</b>	1.18		
					3.07	15.2	0.02	3.3	5.0	27.8	143	-52	9.7	16	31	7.79		
		SP	FUZ 120202	26.11.18	43	248	<b>92</b>				-		<b>119</b>	-	343	1195	1406	39.4
17	FUZ BONSMARAS	FUZ 180067	FUZ 150019	GT	<b>73</b>	<b>113</b>	<b>96</b>	<b>97</b>	<b>115</b>	<b>110</b>	<b>106</b>	<b>102</b>	<b>105</b>	<b>103</b>	<b>108</b>	1.19		
					3.83	19.5	-0.01	3.0	26.0	29.1	126	-54	14.3	4	25	8.53		
		SP	FUZ 110166	15.10.18	44	274	<b>101</b>				-		<b>100</b>	-	343	1173	1394	46.3
18	FUZ BONSMARAS	FUZ 180079	FUZ 150131	GT	<b>96</b>	<b>95</b>	<b>113</b>	<b>91</b>	<b>97</b>	<b>97</b>	<b>106</b>	<b>101</b>	<b>96</b>	<b>114</b>	<b>106</b>	1.16		
					1.40	11.1	-0.78	1.5	7.0	19.6	127	-51	6.2	13	23	6.48		
		SP	FUZ 120092	16.10.18	35	258	<b>98</b>				-		<b>109</b>	-	325	1234	1434	42.2

**Lot 13**

**FUZ 180135**  
SPN Mat. 98

**JFE 140097**  
SPN Mat. 107



**FUZ 150080**  
SPN Mat. 92  
AFC 25 Age/Calv. 3/2  
ICP 366 Avg. WI/Calf 107/2  
RI 122

**FCT 080102**  
SPN Mat. 122  
Elite-Bronze  
**JFE 110021**  
AFC 28 SPN Mat. 91  
ICP 376 Age/Calv. 8/7  
Avg. WI/Calf 100/7

**FUZ 120061**  
SPN Mat. 92


**FUZ 110172**  
SPN Mat. 88  
AFC 33 Age/Calv. 7/5  
ICP 372 Avg. WI/Calf 98/4

**FCT 050041**  
SPN Mat. 96  
**FCT 050164**  
SPN Mat. 152  
**CEF 050400**  
SPN Mat. 81  
**JPL 080087**  
SPN Mat. 100  
**FUZ 090081**  
SPN Mat. 89  
**FUZ 050040**  
SPN Mat. 93  
**CEW 080056**  
SPN Mat. 54  
**FUZ 040064**  
SPN Mat. 116

**Lot 14**

**FUZ 180107**  
SPN Mat. 98

**MC 120238**  
SPN Mat. 111



**FUZ 110102**  
SPN Mat. 84  
AFC 35 Age/Calv. 8/6  
ICP 374 Avg. WI/Calf 99/5  
RI 108

**CEF 080025**  
SPN Mat. 126

**LMR 080159**  
SPN Mat. 68  
AFC 28 Age/Calv. 12/10  
ICP 401 Avg. WI/Calf 96/9

**AG 020263**  
SPN Mat. 67


**FUZ 040092**  
SPN Mat. 80  
AFC 36 Age/Calv. 8/6  
ICP 364 Avg. WI/Calf 92/6

**AG 020251**  
SPN Mat. 121  
**CEF 020146**  
SPN Mat. 111  
**LMR 030096**  
SPN Mat. 44  
**PMB 020084**  
SPN Mat. 98  
**AG 980338**  
SPN Mat. 87  
**AG N 0045**  
SPN Mat. 104  
**BG 960117**  
SPN Mat. 85  
**FUZ 980052**  
SPN Mat. 107

**Lot 15**

**FUZ 180209**  
SPN Mat. 93

**LMR 130374**  
SPN Mat. 106



**FUZ 150172**  
SPN Mat. 85  
AFC 37 Age/Calv. 4/2  
ICP 362 Avg. WI/Calf 107/1  
RI 97

**AG 100008**  
SPN Mat. 94

**LMR 090221**  
SPN Mat. 101  
AFC 37 Age/Calv. 10/7  
ICP 428 Avg. WI/Calf 102/7

**FUZ 120145**  
SPN Mat. 71


**FUZ 100074**  
SPN Mat. 92  
AFC 35 Age/Calv. 5/3  
ICP 394 Avg. WI/Calf 100/3

**AG 060481**  
SPN Mat. 89  
**AG 970106**  
SPN Mat. 80  
**LMR 060150**  
SPN Mat. 92  
**LMR 060259**  
SPN Mat. 111  
**CEW 080056**  
SPN Mat. 54  
**FUZ 090028**  
SPN Mat. 98  
**EI 010200**  
SPN Mat. 103  
**FUZ 040014**  
SPN Mat. 90

**Lot 16**

**FUZ 180193**  
SPN Mat. 98

**ABB 120321**  
SPN Mat. 96



**FUZ 120202**  
SPN Mat. 92  
AFC 33 Age/Calv. 7/5  
ICP 398 Avg. WI/Calf 96/4  
RI 106

**JPL 040065**  
SPN Mat. 119

**JJC 050042**  
SPN Mat. 107  
AFC 36 Age/Calv. 10/7  
ICP 423 Avg. WI/Calf 111/8

**AG 020263**  
SPN Mat. 67


**FUZ 050022**  
SPN Mat. 128  
AFC 36 Age/Calv. 7/5  
ICP 389 Avg. WI/Calf 111/5

**VOG 010001**  
SPN Mat. 113  
**VOG 020001**  
SPN Mat. 97  
**WVZ 980025**  
SPN Mat. 102  
**JJC 960092**  
SPN Mat. 101  
**AG 980338**  
SPN Mat. 87  
**AG N 0045**  
SPN Mat. 104  
**EI 010200**  
SPN Mat. 103  
**FUZ 020076**  
SPN Mat. 121

**Lot 17**

**FUZ 180067**  
SPN Mat. 97

**FUZ 150019**  
SPN Mat. 94



**FUZ 110166**  
SPN Mat. 97  
AFC 33 Age/Calv. 9/7  
ICP 370 Avg. WI/Calf 101/6  
RI 111

**FUZ 120077**  
SPN Mat. 113

**FUZ 120108**  
SPN Mat. 85  
AFC 34 Age/Calv. 8/6  
ICP 383 Avg. WI/Calf 99/5

**CEW 080056**  
SPN Mat. 54


**FUZ 010062**  
SPN Mat. 117  
AFC 32 Age/Calv. 11/9  
ICP 384 Avg. WI/Calf 101/9

**LMR 080104 Pp(c)**  
SPN Mat. 108  
**FUZ 060070**  
SPN Mat. 98  
**AG 020263**  
SPN Mat. 67  
**FUZ 080106**  
SPN Mat. 105  
**AG 040288**  
SPN Mat. 77  
**CEW 050073**  
SPN Mat. 57  
**FUZ 930143**  
SPN Mat. 125  
**FUZ 920176**  
SPN Mat. 96

**Lot 18**

**FUZ 180079**  
SPN Mat. 91

**FUZ 150131**  
SPN Mat. 96



**FUZ 120092**  
SPN Mat. 87  
AFC 34 Age/Calv. 7/5  
ICP 391 Avg. WI/Calf 92/4  
RI 105

**FUZ 120061**  
SPN Mat. 92

**FUZ 080052**  
SPN Mat. 102  
AFC 35 Age/Calv. 12/10  
ICP 368 Avg. WI/Calf 101/9

**LMR 080104 Pp(c)**  
SPN Mat. 108

**FUZ 040136**  
SPN Mat. 91  
AFC 33 Age/Calv. 12/10  
ICP 371 Avg. WI/Calf 98/10

**FUZ 090081**  
SPN Mat. 89  
**FUZ 050040**  
SPN Mat. 93  
**HJB 030038**  
SPN Mat. 99  
**FUZ 040080**  
SPN Mat. 92  
**LMR 020173**  
SPN Mat. 115  
**LMR 020171**  
SPN Mat. 112  
**EI 010200**  
SPN Mat. 103  
**FUZ 000106**  
SPN Mat. 96

Lot	Verkoper	ID POENA Gen	OUERS	Toets	Teelwaarde indekse													LHV	GGV	SGV	Semen Gebruikers	Gebruiker Eie Opmerkings
					DIREKTE KALF EIENSKAPPE		DOGTER EIENSKAPPE			GROEI		DOEL	REP	MATES		V:						
				Nageslag Geboorte-gewig	Nageslag Speengewig	Gemak van Kalwing	Melk prod.	Volwas-se Gewig	Naspeen-gewig	Daaglikse Toename	Voer-omset		Hoogte & Lengte									
				Genomies Getoets	Geb Dir	Speen Dir		Geb Mat	Speen Mat	Volw Gew	Naspeen	GDT	VOV	SO	Hgt	Lgt						
				DNS	Akk	Akk		Akk	Akk	Akk	Akk	Akk	Akk	Akk	Akk	Akk						
				Geb. dat.	Gew kg	Gew kg	Ind	kg	kg	kg	365d Ind	540d Ind	Ind	Ind	(mm)	(mm)	(mm)					

## BULLE


19	FUZ BONSMARAS	FUZ 180017	FUZ 150019	GT	<b>96</b>	<b>98</b>	<b>118</b>	<b>93</b>	<b>105</b>	<b>95</b>	<b>90</b>	<b>88</b>	<b>98</b>	<b>95</b>	<b>101</b>	1.21		
					1.40 77	12.4 73	-1.02 52	2.1 53	15.0 42	18.1 58	50 66	-24 21	8.0 74	-3 76	15 73	6.27		
				FUZ 080130	24.09.18	33	245	<b>93</b>			-	<b>102</b>	-	341	1154	1392	40.8	
20	FUZ BONSMARAS	FUZ 180029	MC 120238	GT	<b>66</b>	<b>100</b>	<b>100</b>	<b>105</b>	<b>108</b>	<b>101</b>	<b>100</b>	<b>99</b>	<b>101</b>	<b>93</b>	<b>101</b>	1.21		
					4.64 78	13.5 72	-0.19 50	5.4 54	19.0 43	22.9 58	95 66	-48 23	10.7 74	-5 75	16 72	8.82		
				FUZ 140056	30.09.18	44	259	<b>94</b>			-	<b>101</b>	-	330	1166	1406	46.3	
21	FUZ BONSMARAS	FUZ 180139	FUZ 150089	GT	<b>100</b>	<b>121</b>	<b>113</b>	<b>85</b>	<b>112</b>	<b>114</b>	<b>104</b>	<b>104</b>	<b>102</b>	<b>108</b>	<b>108</b>	1.16		
					0.98 77	23.4 70	-0.77 47	-0.2 49	23.0 39	31.7 54	118 63	-59 15	11.4 72	8 74	25 71	6.6		
				FUZ 130012	01.11.18	34	293	<b>113</b>			-	<b>99</b>	-	339	1163	1352	50.1	
22	FUZ BONSMARAS	FUZ 180031	ABB 120321	GT	<b>106</b>	<b>103</b>	<b>96</b>	<b>89</b>	<b>95</b>	<b>102</b>	<b>105</b>	<b>102</b>	<b>93</b>	<b>108</b>	<b>106</b>	1.2		
					0.44 77	15.0 72	0.00 54	1.0 55	5.0 45	23.5 58	119 66	-54 30	3.8 74	8 75	22 72	6.69		
				FUZ 130142	29.09.18	35	259	<b>98</b>			-	<b>105</b>	-	321	1176	1415	44.8	
23	FUZ BONSMARAS	FUZ 180101	FUZ 150089	GT	<b>75</b>	<b>123</b>	<b>91</b>	<b>87</b>	<b>110</b>	<b>119</b>	<b>116</b>	<b>108</b>	<b>109</b>	<b>127</b>	<b>113</b>	1.12		
					3.67 77	24.4 70	0.22 47	0.3 49	21.0 38	35.9 54	171 63	-66 15	17.4 73	23 74	33 71	7.75		
				FUZ 130060	21.10.18	39	281	<b>106</b>			-	<b>111</b>	-	343	1216	1367	45.4	
24	FUZ BONSMARAS	FUZ 180177	FUZ 150019	GT	<b>61</b>	<b>134</b>	<b>90</b>	<b>102</b>	<b>126</b>	<b>136</b>	<b>127</b>	<b>109</b>	<b>122</b>	<b>116</b>	<b>126</b>	1.22		
					5.16 78	29.2 71	0.25 48	4.6 50	39.0 39	47.4 57	223 65	-71 24	27.6 74	14 75	50 72	8.31		
				FUZ 130166	19.11.18	49	311	<b>115</b>			-	<b>111</b>	-	360	1181	1442	-	



**Lot 19**

**FUZ 180017**  
SPN Mat. 93

**FUZ 150019**  
SPN Mat. 94



**FUZ 080130**  
SPN Mat. 95

OEK 33 Oud/Kalw. 11/9  
TKP 366 Gem. SI/Kalf 97/9  
RI 112

**FUZ 120077**  
SPN Mat. 113

**FUZ 120108**  
SPN Mat. 85  
Oud/Kalw. 8/6  
Gem. SI/Kalf 99/5

OEK 34  
TKP 383

**EI 010200**  
SPN Mat. 103

**FUZ 030048**  
SPN Mat. 88  
Oud/Kalw. 7/5  
Gem. SI/Kalf 99/5


OEK 36  
TKP 373

**LMR 080104 Pp(c)**  
SPN Mat. 108  
**FUZ 060070**  
SPN Mat. 98  
**AG 020263**  
SPN Mat. 67  
**FUZ 080106**  
SPN Mat. 105  
**EI 980080**  
SPN Mat. 88  
**EI 950117**  
SPN Mat. 109  
**FUZ 930143**  
SPN Mat. 125  
**FUZ 990036**  
SPN Mat. 91

**Lot 20**

**FUZ 180029**  
SPN Mat. 105

**MC 120238**  
SPN Mat. 111



**FUZ 140056**  
SPN Mat. 94

OEK 35 Oud/Kalw. 6/4  
TKP 369 Gem. SI/Kalf 100/3  
RI 105

**CEF 080025**  
SPN Mat. 126

**LMR 080159**  
SPN Mat. 68  
Oud/Kalw. 12/10  
Gem. SI/Kalf 96/9

OEK 28  
TKP 401

**FUZ 090081**  
SPN Mat. 89

**FUZ 080032**  
SPN Mat. 85  
Oud/Kalw. 6/4  
Gem. SI/Kalf 89/4


OEK 36  
TKP 369

**AG 020251**  
SPN Mat. 121  
**CEF 020146**  
SPN Mat. 111  
**LMR 030096**  
SPN Mat. 44  
**PMB 020084**  
SPN Mat. 98  
**AG 020263**  
SPN Mat. 67  
**FUZ 050030**  
SPN Mat. 108  
**EI 010200**  
SPN Mat. 103  
**FUZ 030042**  
SPN Mat. 89

**Lot 21**

**FUZ 180139**  
SPN Mat. 85

**FUZ 150089**  
SPN Mat. 87



**FUZ 130012**  
SPN Mat. 90

OEK 38 Oud/Kalw. 7/5  
TKP 358 Gem. SI/Kalf 103/4  
RI 105

**FUZ 120145**  
SPN Mat. 71

**FUZ 090060**  
SPN Mat. 109  
Oud/Kalw. 9/7  
Gem. SI/Kalf 103/7

OEK 36  
TKP 367

**VV 080374**  
SPN Mat. 101

**FUZ 100072**  
SPN Mat. 77  
Oud/Kalw. 4/2  
Gem. SI/Kalf 93/2


OEK 34  
TKP 412

**CEW 080056**  
SPN Mat. 54  
**FUZ 090028**  
SPN Mat. 98  
**HJB 020223**  
SPN Mat. 91  
**FUZ 000076**  
SPN Mat. 120  
**VV 050036**  
SPN Mat. 86  
**VV 020096**  
SPN Mat. 99  
**EI 010200**  
SPN Mat. 103  
**FUZ 010116**  
SPN Mat. 66

**Lot 22**

**FUZ 180031**  
SPN Mat. 89

**ABB 120321**  
SPN Mat. 96



**FUZ 130142**  
SPN Mat. 86

OEK 34 Oud/Kalw. 6/4  
TKP 374 Gem. SI/Kalf 100/3  
RI 106

**JPL 040065**  
SPN Mat. 119

**JJC 050042**  
SPN Mat. 107  
Oud/Kalw. 10/7  
Gem. SI/Kalf 111/8

OEK 36  
TKP 423

**AG 020263**  
SPN Mat. 67

**FUZ 060046**  
SPN Mat. 90  
Oud/Kalw. 13/11  
Gem. SI/Kalf 101/11


OEK 31  
TKP 382

**VOG 010001**  
SPN Mat. 113  
**VOG 020001**  
SPN Mat. 97  
**VVZ 980025**  
SPN Mat. 102  
**JJC 960092**  
SPN Mat. 101  
**AG 980338**  
SPN Mat. 87  
**AG N 0045**  
SPN Mat. 104  
**HJB 030038**  
SPN Mat. 99  
**FUZ 030014**  
SPN Mat. 76

**Lot 23**

**FUZ 180101**  
SPN Mat. 87

**FUZ 150089**  
SPN Mat. 87



**FUZ 130060**  
SPN Mat. 89

OEK 35 Oud/Kalw. 7/5  
TKP 394 Gem. SI/Kalf 102/4  
RI 104

**FUZ 120145**  
SPN Mat. 71

**FUZ 090060**  
SPN Mat. 109  
Oud/Kalw. 9/7  
Gem. SI/Kalf 103/7

OEK 36  
TKP 367

**CEW 080056**  
SPN Mat. 54

**FUZ 080130**  
SPN Mat. 95  
Oud/Kalw. 11/9  
Gem. SI/Kalf 97/9


OEK 33  
TKP 366

**CEW 080056**  
SPN Mat. 54  
**FUZ 090028**  
SPN Mat. 98  
**HJB 020223**  
SPN Mat. 91  
**FUZ 000076**  
SPN Mat. 120  
**AG 040288**  
SPN Mat. 77  
**CEW 050073**  
SPN Mat. 57  
**EI 010200**  
SPN Mat. 103  
**FUZ 030048**  
SPN Mat. 88

**Lot 24**

**FUZ 180177**  
SPN Mat. 102

**FUZ 150019**  
SPN Mat. 94



**FUZ 130166**  
SPN Mat. 107

OEK 37 Oud/Kalw. 7/5  
TKP 394 Gem. SI/Kalf 115/4  
RI 102

**FUZ 120077**  
SPN Mat. 113

**FUZ 120108**  
SPN Mat. 85  
Oud/Kalw. 8/6  
Gem. SI/Kalf 99/5

OEK 34  
TKP 383

**LPS 060117**  
SPN Mat. 70  
Goud

**FUZ 090056**  
SPN Mat. 107  
Oud/Kalw. 6/4  
Gem. SI/Kalf 106/4

OEK 35  
TKP 391

**LMR 080104 Pp(c)**  
SPN Mat. 108  
**FUZ 060070**  
SPN Mat. 98  
**AG 020263**  
SPN Mat. 67  
**FUZ 080106**  
SPN Mat. 105  
**PER 010038**  
SPN Mat. 60  
**LPS 990032**  
SPN Mat. 89  
**HJB 020223**  
SPN Mat. 91  
**FUZ 050040**  
SPN Mat. 93

Lot	Seller	ID POLLED Gen	PARENTS		Test	Breeding Value Indexes											Semen Users	Breeder Own Remarks			
			SIRE GV PV	DAM GV PV		Genomic Tested DNA	Birth Dir Acc	Wean Dir Acc	Birth Mat Acc	Wean Mat Acc	Mat Wgt Acc	Post Wean Acc	ADG Acc	FCR Acc	SC Acc	Hgt Acc			Lgt Acc	LHR	BWR
					Birth Date	Wgt kg	Wgt kg	Ind	kg	kg	kg	365d Ind	540d Ind	Ind	Ind	(mm)	(mm)	(mm)			

## BULLS


25	FUZ BONSMARAS	FUZ 180119 SP	FUZ 150131	GT	<b>97</b>	<b>98</b>	<b>104</b>	<b>92</b>	<b>101</b>	<b>94</b>	<b>95</b>	<b>102</b>	<b>95</b>	<b>94</b>	<b>91</b>	1.14		
					1.38	12.3	-0.37	1.7	11.0	17.7	76	-55	6.0	-3	1	7.06		
			FUZ 060038	27.10.18	38	275	104			-		93	-	357	1161	1329	43.7	
26	FUZ BONSMARAS	FUZ 180197 SP	JFE 140097	GT	<b>70</b>	<b>137</b>	<b>108</b>	<b>116</b>	<b>113</b>	<b>128</b>	<b>113</b>	<b>107</b>	<b>105</b>	<b>121</b>	<b>119</b>	1.14		
					4.19	30.8	-0.58	8.2	24.0	41.7	158	-65	14.1	19	41	8.72		
			FUZ 150004	30.11.18	45	314	121			-		105	-	347	1206	1378	57.1	
27	FUZ BONSMARAS	FUZ 180143 SP	ABB 120321	GT	<b>79</b>	<b>115</b>	<b>114</b>	<b>101</b>	<b>106</b>	<b>116</b>	<b>107</b>	<b>103</b>	<b>91</b>	<b>120</b>	<b>113</b>	1.17		
					3.24	20.6	-0.81	4.1	17.0	33.7	133	-56	2.6	18	32	7.46		
			FUZ 060070	05.11.18	47	279	102			-		99	-	329	1195	1394	45.1	
28	FUZ BONSMARAS	FUZ 180109 SP	JFE 140097	GT	<b>70</b>	<b>118</b>	<b>95</b>	<b>88</b>	<b>100</b>	<b>114</b>	<b>104</b>	<b>89</b>	<b>82</b>	<b>110</b>	<b>117</b>	1.24		
					4.23	22.0	0.06	0.7	10.0	32.0	114	-26	-5.2	10	38	9.83		
			FUZ 150082	23.10.18	41	282	106			-		132	-	310	1179	1457	55.5	
30	FUZ BONSMARAS	FUZ 180035 SP	ABB 120321	GT	<b>124</b>	<b>100</b>	<b>124</b>	<b>103</b>	<b>100</b>	<b>95</b>	<b>95</b>	<b>97</b>	<b>102</b>	<b>105</b>	<b>99</b>	1.16		
					-1.47	13.3	-1.26	4.7	9.0	18.3	74	-43	11.3	5	12	5.19		
			FUZ 110014	29.09.18	30	188	100			-		96	-	354	1146	1335	-	

1.02	13.5	-0.19	3.9	10	22	97	-50	9.8	1	14
------	------	-------	-----	----	----	----	-----	-----	---	----

**Lot 25**

**FUZ 180119**  
SPN Mat. 92

**FUZ 150131**  
SPN Mat. 96



**FUZ 060038**  
SPN Mat. 90

AFC 31    SPN Mat. 102  
 ICP 368    Age/Calv. 12/10  
 RI 110    Avg. WI/Calf 101/9

**FUZ 120061**  
SPN Mat. 92

**FUZ 080052**  
SPN Mat. 99

AFC 35    SPN Mat. 102  
 ICP 368    Age/Calv. 12/10  
 Avg. WI/Calf 101/9

**RCO 980045**  
SPN Mat. 58

**FUZ 030054**  
SPN Mat. 110

AFC 35    SPN Mat. 110  
 ICP 379    Age/Calv. 9/7  
 Avg. WI/Calf 100/7

**FUZ 090081**  
SPN Mat. 89

**FUZ 050040**  
SPN Mat. 93

**HJB 030038**  
SPN Mat. 99

**FUZ 040080**  
SPN Mat. 92

**AG J 0008**  
SPN Mat. 88

**RCO 950152**  
SPN Mat. 80


**BG 960117**  
SPN Mat. 85

**FUZ 990044**  
SPN Mat. 108

**Lot 26**

**FUZ 180197**  
SPN Mat. 116

**JFE 140097**  
SPN Mat. 107



**FUZ 150004**  
SPN Mat. 125

AFC 26    SPN Mat. 125  
 ICP 401    Age/Calv. 3/2  
 RI 117    Avg. WI/Calf 119/2

**FCT 080102**  
SPN Mat. 122

Elite-Bronze

**JFE 110021**  
SPN Mat. 91

AFC 28    SPN Mat. 91  
 ICP 376    Age/Calv. 8/7  
 Avg. WI/Calf 100/7

**VV 080374**  
SPN Mat. 101

**FUZ 120070**  
SPN Mat. 104

AFC 34    SPN Mat. 104  
 ICP 386    Age/Calv. 7/5  
 Avg. WI/Calf 96/5

**FCT 050041**  
SPN Mat. 96

**FCT 050164**  
SPN Mat. 152

**CEF 050400**  
SPN Mat. 81

**JPL 080087**  
SPN Mat. 100

**VV 050036**  
SPN Mat. 86

**VV 020096**  
SPN Mat. 99


**LMR 080104 Pp(c)**  
SPN Mat. 108

**FUZ 060078**  
SPN Mat. 108

**Lot 27**

**FUZ 180143**  
SPN Mat. 101

**ABB 120321**  
SPN Mat. 96



Elite-Gold

**FUZ 060070**  
SPN Mat. 98

AFC 31    SPN Mat. 107  
 ICP 380    Age/Calv. 10/7  
 RI 112    Avg. WI/Calf 111/8

**JPL 040065**  
SPN Mat. 119

**JJC 050042**  
SPN Mat. 102

AFC 36    SPN Mat. 107  
 ICP 423    Age/Calv. 10/7  
 Avg. WI/Calf 111/8

**EI 010200**  
SPN Mat. 103

**FUZ 020034**  
SPN Mat. 81

AFC 32    SPN Mat. 81  
 ICP 405    Age/Calv. 7/5  
 Avg. WI/Calf 99/5

**VOG 010001**  
SPN Mat. 113

**VOG 020001**  
SPN Mat. 97

**WVZ 980025**  
SPN Mat. 102

**JJC 960092**  
SPN Mat. 101

**EI 980080**  
SPN Mat. 88

**EI 950117**  
SPN Mat. 109


**RCO 980045**  
SPN Mat. 58

**FUZ 990038**  
SPN Mat. 104

**Lot 28**

**FUZ 180109**  
SPN Mat. 88

**JFE 140097**  
SPN Mat. 107



**FUZ 150082**  
SPN Mat. 68

AFC 24    SPN Mat. 68  
 ICP 414    Age/Calv. 5/4  
 RI 115    Avg. WI/Calf 95/3

**FCT 080102**  
SPN Mat. 122

Elite-Bronze

**JFE 110021**  
SPN Mat. 91

AFC 28    SPN Mat. 91  
 ICP 376    Age/Calv. 8/7  
 Avg. WI/Calf 100/7

**FUZ 120101**  
SPN Mat. 58

**FUZ 110178**  
SPN Mat. 79

AFC 33    SPN Mat. 79  
 ICP 402    Age/Calv. 5/3  
 Avg. WI/Calf 99/2

**FCT 050041**  
SPN Mat. 96

**FCT 050164**  
SPN Mat. 152

**CEF 050400**  
SPN Mat. 81

**JPL 080087**  
SPN Mat. 100

**CEW 080056**  
SPN Mat. 54

**FUZ 080042**  
SPN Mat. 98


**AG 020263**  
SPN Mat. 67

**FUZ 040034**  
SPN Mat. 89

**Lot 30**

**FUZ 180035**  
SPN Mat. 103

**ABB 120321**  
SPN Mat. 96



Elite-Bronze

**FUZ 110014**  
SPN Mat. 108

AFC 36    SPN Mat. 108  
 ICP 368    Age/Calv. 8/6  
 RI 108    Avg. WI/Calf 105/6

**JPL 040065**  
SPN Mat. 119

**JJC 050042**  
SPN Mat. 102

AFC 36    SPN Mat. 107  
 ICP 423    Age/Calv. 10/7  
 Avg. WI/Calf 111/8

**VV 080374**  
SPN Mat. 101

**FUZ 080068**  
SPN Mat. 109

AFC 35    SPN Mat. 109  
 ICP 374    Age/Calv. 8/6  
 Avg. WI/Calf 101/6

**VOG 010001**  
SPN Mat. 113

**VOG 020001**  
SPN Mat. 97

**WVZ 980025**  
SPN Mat. 102

**JJC 960092**  
SPN Mat. 101

**VV 050036**  
SPN Mat. 86

**VV 020096**  
SPN Mat. 99

**EI 010200**  
SPN Mat. 103

**FUZ 990038**  
SPN Mat. 104


## VROULIKE DIERE

Lot	Verkoper	ID	POENA	Gen	OUIERS		Toets	Teelwaarde indekse										Kalf ID	Gebruiker	Eie Opmerkings	
					VADER GV OV	MOEDER GV OV		Genomies Getoets	DNS	Geb Dir	Speen Dir	Geb Mat	Speen Mat	Volwas- se Gewig	Naspeen- gewig	GDT	VOV				SO
					Geb. dat.	Gew kg	Gew kg	Ind	kg	kg	kg	365dM	540d Ind	Ind	Ind	(mm)	(mm)	(mm)	GT / POLLED		


### Koeie met Kalwers

31 A	FUZ BONSMARAS	FUZ 170048	FUZ 140059	NS365	<b>105</b>	<b>109</b>	<b>90</b>	<b>108</b>	<b>104</b>	<b>109</b>	<b>106</b>	<b>100</b>	<b>105</b>	<b>106</b>	<b>108</b>	-	BONFFUZ 210072	
			FUZ 150018		0.49 77	17.9 71	0.26 61	6.1 60	15.0 43	28.3 54	127 45	-49 23	13.6 49	6 50	26 48	-	27.02.21 (38)	
				19.09.17	32											57.3		
31 B	FUZ BONSMARAS	FUZ 170164	FUZ 140025	NS365	<b>101</b>	<b>98</b>	<b>98</b>	<b>106</b>	<b>85</b>	<b>93</b>	<b>83</b>	<b>89</b>	<b>94</b>	<b>90</b>	<b>93</b>	-	BONMFUZ 200005	
			FUZ 040102		0.91 79	12.7 61	-0.12 60	5.6 56	-7.0 44	17.3 52	18 48	-25 22	5.1 53	-7 53	4 52	-	17.09.20 (34)	
				27.10.17	36											47.6		
31 C	FUZ BONSMARAS	FUZ 170156	FUZ 140117	NS365	<b>87</b>	<b>87</b>	<b>92</b>	<b>115</b>	<b>116</b>	<b>84</b>	<b>90</b>	<b>92</b>	<b>95</b>	<b>104</b>	<b>97</b>	-	BONMFUZ 200051	
			FUZ 100084		2.39 79	7.2 73	0.19 63	8.0 63	27.0 51	10.5 56	52 53	-31 15	5.6 58	5 59	10 57	-	19.11.20 (42)	
				25.10.17	43											43		
31 D	FUZ BONSMARAS	FUZ 170190	FUZ 140077	NS365	<b>69</b>	<b>136</b>	<b>100</b>	<b>88</b>	<b>121</b>	<b>134</b>	<b>124</b>	<b>116</b>	<b>103</b>	<b>116</b>	<b>118</b>	-	BONMFUZ 200027	
			FUZ 120108		4.32 79	30.1 71	-0.19 57	0.7 52	33.0 40	46.0 56	209 50	-85 22	12.2 54	15 55	39 53	-	17.10.20 (35)	
				04.11.17	40											47.7		
32 A	FUZ BONSMARAS	FUZ 170204	ABB 120321	NS365	<b>98</b>	<b>103</b>	<b>103</b>	<b>90</b>	<b>88</b>	<b>98</b>	<b>99</b>	<b>96</b>	<b>96</b>	<b>116</b>	<b>109</b>	-	BONMFUZ 210105	
			FUZ 130218		1.25 78	14.8 73	-0.34 63	1.2 62	-3.0 43	20.9 59	90 50	-40 28	6.9 53	15 53	26 52	-	06.03.21 (33)	
				14.11.17	34											49.1		
32 B	FUZ BONSMARAS	FUZ 170084	FUZ 140025	NS365	<b>102</b>	<b>98</b>	<b>95</b>	<b>100</b>	<b>94</b>	<b>91</b>	<b>86</b>	<b>93</b>	<b>97</b>	<b>78</b>	<b>94</b>	-	BONFFUZ 200048	
			FUZ 130182		0.79 79	12.8 61	0.06 63	3.8 61	3.0 51	15.8 52	32 51	-35 25	7.2 57	-17 57	6 56	-	07.11.20 (34)	
				02.10.17	30											45.2		


**Lot 31A**

<p><b>FUZ 170048</b> SPN Mat. 108 OEK 24 TKP 532 RI 113 Oud/Kalw. 3/2 Gem. SI/Kalf 109/1</p>	<p><b>FUZ 140059</b> SPN Mat. 84</p> 	<p><b>FUZ 150018</b> SPN Mat. 116 Oud/Kalw. 4/3 Gem. SI/Kalf 109/2</p>	<p><b>LPS 060117</b> SPN Mat. 70 Goud</p> <p><b>FUZ 090040</b> OEK 26 SPN Mat. 82 TKP 357 Oud/Kalw. 5/4 Gem. SI/Kalf 93/4</p> <p><b>VV 080374</b> SPN Mat. 101</p> <p><b>FUZ 120156</b> OEK 33 SPN Mat. 106 TKP 372 Oud/Kalw. 7/5 Gem. SI/Kalf 97/4</p>	<p><b>PER 010038</b> SPN Mat. 60 <b>LPS 990032</b> SPN Mat. 89 <b>HJB 020223</b> SPN Mat. 91 <b>FUZ 060068</b> SPN Mat. 84 <b>VV 050036</b> SPN Mat. 86 <b>VV 020096</b> SPN Mat. 99 <b>LMR 080104 Pp(c)</b> SPN Mat. 108 <b>FUZ 980124</b> SPN Mat. 115</p>
--	--	--	---	--


**Lot 31B**

<p><b>FUZ 170164</b> SPN Mat. 106 OEK 35 TKP RI 95 Oud/Kalw. 3/1 Gem. SI/Kalf /0</p>	<p><b>FUZ 140025</b> SPN Mat. 87</p> 	<p><b>VV 080374</b> SPN Mat. 101</p> <p><b>FUZ 110020</b> OEK 36 SPN Mat. 92 TKP 403 Oud/Kalw. 4/2 Gem. SI/Kalf 101/1</p> <p><b>DV 990310</b> SPN Mat. 115 Silver</p> <p><b>FUZ 990038</b> OEK 36 SPN Mat. 104 TKP 371 Oud/Kalw. 12/10 Gem. SI/Kalf 105/10</p>	<p><b>VV 050036</b> SPN Mat. 86 <b>VV 020096</b> SPN Mat. 99 <b>HJB 020223</b> SPN Mat. 91 <b>FUZ 080126</b> SPN Mat. 92 <b>RCO 950179</b> SPN Mat. 123 <b>DV 970028</b> SPN Mat. 87 <b>LDW 900135</b> SPN Mat. 102 <b>FUZ N 0096</b> SPN Mat. 97</p>
--	--	--	---


**Lot 31C**

<p><b>FUZ 170156</b> SPN Mat. 115 OEK 24 TKP 399 RI 122 Oud/Kalw. 3/2 Gem. SI/Kalf 95/1</p>	<p><b>FUZ 140117</b> SPN Mat. 111</p> 	<p><b>FUZ 110185</b> SPN Mat. 85</p> <p><b>FUZ 080026</b> OEK 37 SPN Mat. 145 TKP 366 Oud/Kalw. 12/10 Gem. SI/Kalf 112/8</p> <p><b>DDJ 040034</b> SPN Mat. 129</p> <p><b>FUZ 990012</b> OEK 36 SPN Mat. 116 TKP 373 Oud/Kalw. 13/11 Gem. SI/Kalf 105/11</p>	<p><b>AG 020263</b> SPN Mat. 67 <b>FUZ 060116</b> SPN Mat. 101 <b>EI 010200</b> SPN Mat. 103 <b>FUZ 030074</b> SPN Mat. 144 <b>BFB 000032</b> SPN Mat. 107 <b>JH 940027</b> SPN Mat. 124 <b>FUZ 930143</b> SPN Mat. 125 <b>FUZ 0345</b> SPN Mat. 111</p>
---	---	---	--


**Lot 31D**

<p><b>FUZ 170190</b> SPN Mat. 88 OEK 35 TKP RI 93 Oud/Kalw. 3/1 Gem. SI/Kalf /0</p>	<p><b>FUZ 140077</b> SPN Mat. 91</p> 	<p><b>FUZ 110049</b> SPN Mat. 82</p> <p><b>FUZ 030018</b> OEK 26 SPN Mat. 97 TKP 367 Oud/Kalw. 15/14 Gem. SI/Kalf 101/12</p> <p><b>AG 020263</b> SPN Mat. 67</p> <p><b>FUZ 080106</b> OEK 34 SPN Mat. 105 TKP 421 Oud/Kalw. 4/2 Gem. SI/Kalf 107/2</p>	<p><b>LPS 060117</b> SPN Mat. 70 <b>FUZ 060070</b> SPN Mat. 98 <b>FUZ 930143</b> SPN Mat. 125 <b>FUZ 980068</b> SPN Mat. 94 <b>AG 980338</b> SPN Mat. 87 <b>AG N 0045</b> SPN Mat. 104 <b>RCO 980045</b> SPN Mat. 58 <b>FUZ 990034</b> SPN Mat. 137</p>
---	--	--	---

**Lot 32A**

<p><b>FUZ 170204</b> SPN Mat. 90 OEK 23 TKP 516 RI 116 Oud/Kalw. 3/2 Gem. SI/Kalf 101/1</p>	<p><b>ABB 120321</b> SPN Mat. 96</p> 	<p><b>JPL 040065</b> SPN Mat. 119</p> <p><b>JJC 050042</b> OEK 36 SPN Mat. 107 TKP 423 Oud/Kalw. 10/7 Gem. SI/Kalf 111/8</p> <p><b>CEW 080056</b> SPN Mat. 54</p> <p><b>FUZ 060142</b> OEK 29 SPN Mat. 106 TKP 421 Oud/Kalw. 7/5 Gem. SI/Kalf 108/5</p>	<p><b>VOG 010001</b> SPN Mat. 113 <b>VOG 020001</b> SPN Mat. 97 <b>WVZ 980025</b> SPN Mat. 102 <b>JJC 960092</b> SPN Mat. 101 <b>AG 040288</b> SPN Mat. 77 <b>CEW 050073</b> SPN Mat. 57 <b>AG 020263</b> SPN Mat. 67 <b>FUZ 990014</b> SPN Mat. 103</p>
---	--	---	--

**Lot 32B**

<p><b>FUZ 170084</b> SPN Mat. 100 OEK 23 TKP 439 RI 121 Oud/Kalw. 3/2 Gem. SI/Kalf 102/1</p>	<p><b>FUZ 140025</b> SPN Mat. 87</p> 	<p><b>VV 080374</b> SPN Mat. 101</p> <p><b>FUZ 110020</b> OEK 36 SPN Mat. 92 TKP 403 Oud/Kalw. 4/2 Gem. SI/Kalf 101/1</p> <p><b>AG 020263</b> SPN Mat. 67</p> <p><b>FUZ 030122</b> OEK 34 SPN Mat. 147 TKP 369 Oud/Kalw. 12/10 Gem. SI/Kalf 113/10</p>	<p><b>VV 050036</b> SPN Mat. 86 <b>VV 020096</b> SPN Mat. 99 <b>HJB 020223</b> SPN Mat. 91 <b>FUZ 080126</b> SPN Mat. 92 <b>AG 980338</b> SPN Mat. 87 <b>AG N 0045</b> SPN Mat. 104 <b>FUZ 930143</b> SPN Mat. 125 <b>FUZ 990102</b> SPN Mat. 115</p>
--	--	--	---


## FEMALE ANIMALS

Lot	Seller	ID	PARENTS	Test	Breeding Value Indexes											R:	Calf ID	Breeder Own Remarks					
					DIRECT CALF TRAITS		DAUGHTER TRAITS			GROWTH		EFF.	REP	MEASUREMENTS									
		POLLED		Gen		SIRE	PV	Genomic Tested	Birth Dir	Wean Dir	Birth Mat	Wean Mat	Mat Wgt	Post Wean	ADG	FCR	SC	Hgt	Lgt	LHR	Birth Date (Weight)		
						DAM	PV	DNA	Acc	Acc	Acc	Acc	Acc	Acc	Acc	Acc	Acc	Acc	Acc	BWR	Sire		
						GV	PV	Birth Date	Wgt kg	Wgt kg	Ind	kg	kg	kg	365dM	540dInd	Ind	Ind	(mm)	(mm)	(mm)	WWR	GT / POLLED


### Cows with Calves

33 A	FUZ BONSMARAS	FUZ 170018	LMR 130374	PW365	<b>95</b>	<b>121</b>	<b>116</b>	<b>103</b>	<b>113</b>	<b>116</b>	<b>105</b>	<b>108</b>	<b>106</b>	<b>96</b>	<b>103</b>	-	BONFFUZ 200022
					1.60	23.2	-0.92	4.8	24.0	33.6	120	-67	15.0	-2	19	-	18.10.20 (28)
			FUZ 140006		79	72	62	61	50	59	54	28	58	59	57	-	-
				19.08.17	36											46.1	
33 B	FUZ BONSMARAS	FUZ 170034	LMR 130374	PW365	<b>101</b>	<b>122</b>	<b>140</b>	<b>90</b>	<b>123</b>	<b>118</b>	<b>106</b>	<b>108</b>	<b>105</b>	<b>98</b>	<b>102</b>	-	BONMFUZ 200043
					0.88	23.7	-2.00	1.1	35.0	34.9	126	-68	14.2	0	17	-	30.10.20 (28)
			FUZ 140032		79	72	62	60	49	59	54	27	58	59	57	-	BONMFUZ 170109
				02.09.17	32											43.8	
33 C	FUZ BONSMARAS	FUZ 170062	FUZ 140025	PW365	<b>118</b>	<b>93</b>	<b>100</b>	<b>89</b>	<b>78</b>	<b>87</b>	<b>86</b>	<b>88</b>	<b>96</b>	<b>87</b>	<b>93</b>	-	BONMFUZ 200045
					-0.84	10.1	-0.19	0.8	-15.0	13.0	29	-24	6.5	-10	5	-	31.10.20 (15)
			FUZ 120096		78	72	62	62	43	57	46	16	50	51	49	-	BONMFUZ 170109
				28.09.17	31											49.9	
34 A	FUZ BONSMARAS	FUZ 170194	LMR 080188	PW365	<b>100</b>	<b>102</b>	<b>108</b>	<b>78</b>	<b>111</b>	<b>103</b>	<b>102</b>	<b>94</b>	<b>101</b>	<b>104</b>	<b>110</b>	-	BONFFUZ 200036
					1.07	14.4	-0.54	-2.1	22.0	23.9	107	-36	10.8	5	29	-	25.10.20 (27)
			FUZ 120190		81	74	67	66	45	64	53	26	55	56	55	-	BONMAG 150747
				08.11.17	30											39.2	
34 B	FUZ BONSMARAS	FUZ 170148	ABB 120321	PW365	<b>111</b>	<b>90</b>	<b>89</b>	<b>84</b>	<b>89</b>	<b>88</b>	<b>95</b>	<b>96</b>	<b>91</b>	<b>105</b>	<b>98</b>	-	BONFFUZ 200018
					-0.13	8.6	0.32	-0.6	-3.0	13.6	72	-41	2.7	5	12	-	08.10.20 (32)
			FUZ 120018		79	74	64	63	52	58	50	31	53	53	52	-	BONMFUZ 170109
				23.10.17	30											35	
34 C	FUZ BONSMARAS	FUZ 170074	ABB 120321	PW365	<b>118</b>	<b>96</b>	<b>120</b>	<b>87</b>	<b>96</b>	<b>91</b>	<b>99</b>	<b>99</b>	<b>95</b>	<b>108</b>	<b>104</b>	-	BONMFUZ 200059
					-0.90	11.8	-1.12	0.2	6.0	15.8	91	-48	5.9	8	20	-	25.11.20 (34)
			FUZ 120124		80	74	64	63	44	58	50	31	53	53	52	-	BONMFUZ 170109
				01.10.17	30											49.8	


**Lot 33A**

<p><b>FUZ 170018</b>                  SPN Mat. 103                  AFC 26                  ICP 365                  RI 120                  Age/Calv. 3/2                  Avg. WI/Calf 112/1</p>	<p><b>LMR 130374</b>                  SPN Mat. 106</p> 	<p><b>FUZ 140006</b>                  AFC 36 SPN Mat. 91                  ICP 394 Age/Calv. 5/3                  RI 100 Avg. WI/Calf 101/2</p>	<p><b>AG 100008</b>                  SPN Mat. 94</p>	<p><b>AG 060481</b>                  SPN Mat. 89  <b>AG 970106</b>                  SPN Mat. 80  <b>LMR 060150</b>                  SPN Mat. 92  <b>LMR 060259</b>                  SPN Mat. 111  <b>VV 050036</b>                  SPN Mat. 86  <b>VV 020096</b>                  SPN Mat. 99  <b>LPS 060117</b>                  SPN Mat. 70  <b>FUZ 960044</b>                  SPN Mat. 95</p>


**Lot 33B**

<p><b>FUZ 170034</b>                  SPN Mat. 90                  AFC 26                  ICP 368                  RI 120                  Age/Calv. 3/2                  Avg. WI/Calf 95/1</p>	<p><b>LMR 130374</b>                  SPN Mat. 106</p> 	<p><b>FUZ 140032</b>                  AFC 36 SPN Mat. 94                  ICP 387 Age/Calv. 5/3                  RI 101 Avg. WI/Calf 106/2</p>	<p><b>AG 100008</b>                  SPN Mat. 94</p>	<p><b>AG 060481</b>                  SPN Mat. 89  <b>AG 970106</b>                  SPN Mat. 80  <b>LMR 060150</b>                  SPN Mat. 92  <b>LMR 060259</b>                  SPN Mat. 111  <b>VV 050036</b>                  SPN Mat. 86  <b>VV 020096</b>                  SPN Mat. 99  <b>CEW 080056</b>                  SPN Mat. 54  <b>FUZ 040064</b>                  SPN Mat. 116</p>


**Lot 33C**

<p><b>FUZ 170062</b>                  SPN Mat. 89                  AFC 23                  ICP 418                  RI 122                  Age/Calv. 3/2                  Avg. WI/Calf 97/1</p>	<p><b>FUZ 140025</b>                  SPN Mat. 87</p> 	<p><b>FUZ 120096</b>                  AFC 35 SPN Mat. 97                  ICP 392 Age/Calv. 7/5                  RI 104 Avg. WI/Calf 107/4</p>	<p><b>VV 080374</b>                  SPN Mat. 101</p>	<p><b>VV 050036</b>                  SPN Mat. 86  <b>VV 020096</b>                  SPN Mat. 99  <b>HJB 020223</b>                  SPN Mat. 91  <b>FUZ 080126</b>                  SPN Mat. 92  <b>AG 040288</b>                  SPN Mat. 77  <b>CEW 050073</b>                  SPN Mat. 57  <b>HJB 020223</b>                  SPN Mat. 91  <b>FUZ 050046</b>                  SPN Mat. 97</p>


**Lot 34A**

<p><b>FUZ 170194</b>                  SPN Mat. 78                  AFC 22                  ICP 399                  RI 125                  Age/Calv. 3/2                  Avg. WI/Calf 99/1</p>	<p><b>LMR 080188</b>                  SPN Mat. 84</p> 	<p><b>FUZ 120190</b>                  AFC 33 SPN Mat. 78                  ICP 370 Age/Calv. 8/6                  RI 110 Avg. WI/Calf 103/5</p>	<p><b>LAR 030052</b>                  SPN Mat. 88</p>	<p><b>AG 980338</b>                  SPN Mat. 87  <b>LAR 000319</b>                  SPN Mat. 94  <b>HDE 980132</b>                  SPN Mat. 74  <b>LMR 990036</b>                  SPN Mat. 116  <b>AG 040288</b>                  SPN Mat. 77  <b>CEW 050073</b>                  SPN Mat. 57  <b>EI 010200</b>                  SPN Mat. 103  <b>FUZ 040068</b>                  SPN Mat. 65</p>

**Lot 34B**

<p><b>FUZ 170148</b>                  SPN Mat. 84                  AFC 23                  ICP 394                  RI 125                  Age/Calv. 3/2                  Avg. WI/Calf 96/1</p>	<p><b>ABB 120321</b>                  SPN Mat. 96</p> 	<p><b>FUZ 120018</b>                  AFC 35 SPN Mat. 76                  ICP 385 Age/Calv. 6/4                  RI 104 Avg. WI/Calf 91/4</p>	<p><b>JPL 040065</b>                  SPN Mat. 119</p>	<p><b>VOG 010001</b>                  SPN Mat. 113  <b>VOG 020001</b>                  SPN Mat. 97  <b>WVZ 980025</b>                  SPN Mat. 102  <b>JJC 960092</b>                  SPN Mat. 101  <b>AG 980338</b>                  SPN Mat. 87  <b>AG N 0045</b>                  SPN Mat. 104  <b>HJB 030038</b>                  SPN Mat. 99  <b>FUZ 040134</b>                  SPN Mat. 115</p>

**Lot 34C**

<p><b>FUZ 170074</b>                  SPN Mat. 87                  AFC 25                  ICP 404                  RI 120                  Age/Calv. 3/2                  Avg. WI/Calf 101/1</p>	<p><b>ABB 120321</b>                  SPN Mat. 96</p> 	<p><b>FUZ 120124</b>                  AFC 34 SPN Mat. 88                  ICP 387 Age/Calv. 8/6                  RI 107 Avg. WI/Calf 99/5</p>	<p><b>JPL 040065</b>                  SPN Mat. 119</p>	<p><b>VOG 010001</b>                  SPN Mat. 113  <b>VOG 020001</b>                  SPN Mat. 97  <b>WVZ 980025</b>                  SPN Mat. 102  <b>JJC 960092</b>                  SPN Mat. 101  <b>AG 980338</b>                  SPN Mat. 87  <b>AG N 0045</b>                  SPN Mat. 104  <b>EI 010200</b>                  SPN Mat. 103  <b>FUZ 020042</b>                  SPN Mat. 89</p>

## VROULIKE DIERE


Lot	Verkoper	ID	POENA	Gen	OUERS		Toets	Teelwaarde indekse									Kalf ID	Gebruiker Eie Opmerkings			
					VADER GV OV	MOEDER GV OV		Genomies Getoets	DNS	Geb Dir	Speen Dir	Geb Mat	Speen Mat	Volwas Gew	Naspeen	GDT			VOV	SO	Hgt
					Geb. dat.	Gew kg	Gew kg	Ind	kg	kg	kg	365dM	540d Ind	Ind	Ind	(mm)	(mm)	(mm)	GT / POLLED		

### Koeie met Kalwers


35 A	FUZ BONSMARAS	FUZ 170208	FUZ 140059	NS365	<b>104</b>	<b>93</b>	<b>86</b>	<b>99</b>	<b>112</b>	<b>95</b>	<b>100</b>	<b>97</b>	<b>94</b>	<b>100</b>	<b>98</b>	-	BONFFUZ 200012	
					0.59	10.3	0.46	3.7	23.0	18.6	97	-44	4.7	2	12	-	BONMFUZ 200055	
			FUZ 150156	16.11.17	28													48.7
35 B	FUZ BONSMARAS	FUZ 170126	LMR 130374	NS365	<b>100</b>	<b>101</b>	<b>114</b>	<b>95</b>	<b>108</b>	<b>103</b>	<b>97</b>	<b>102</b>	<b>100</b>	<b>84</b>	<b>92</b>	-	BONMFUZ 200055	
					1.07	14.0	-0.81	2.4	18.0	24.0	85	-54	9.5	-12	3	-	BONMAG 150747	
			FUZ 140060	16.10.17	34												41.7	
36 A	FUZ BONSMARAS	FUZ 170138	FUZ 140117	NS365	<b>122</b>	<b>78</b>	<b>93</b>	<b>105</b>	<b>92</b>	<b>77</b>	<b>94</b>	<b>92</b>	<b>100</b>	<b>100</b>	<b>99</b>	-	BONMFUZ 200047	
					-1.27	3.2	0.12	5.2	1.0	5.5	68	-33	10.2	1	13	-	BONMFUZ 170109	
			FUZ 130016	20.10.17	27												42.8	
38 A	FUZ BONSMARAS	FUZ 170134	FUZ 140037	NS365	<b>65</b>	<b>130</b>	<b>98</b>	<b>95</b>	<b>140</b>	<b>125</b>	<b>106</b>	<b>101</b>	<b>104</b>	<b>112</b>	<b>112</b>	-	BONMFUZ 200033	
					4.75	27.3	-0.09	2.6	54.0	40.1	125	-52	13.3	11	32	-	BONMFUZ 170109	
			FUZ 120050	20.10.17	44												44	
38 B	FUZ BONSMARAS	FUZ 170026	VV 080374	NS365	<b>73</b>	<b>134</b>	<b>94</b>	<b>98</b>	<b>114</b>	<b>123</b>	<b>106</b>	<b>104</b>	<b>107</b>	<b>113</b>	<b>115</b>	-	BONFFUZ 200030	
					3.89	29.1	0.07	3.5	25.0	38.3	124	-58	15.3	12	35	-	BONMAG 150747	
			FUZ 140068	31.08.17	40												46.2	
39 A	FUZ BONSMARAS	FUZ 180154	JFE 140097	NS365	<b>89</b>	<b>112</b>	<b>108</b>	<b>90</b>	<b>106</b>	<b>107</b>	<b>94</b>	<b>93</b>	<b>89</b>	<b>102</b>	<b>104</b>	-	BONMFUZ 200037	
					2.15	18.9	-0.53	1.1	17.0	27.3	71	-35	1.3	3	20	6.91	BONMCEP 150536	
			FUZ 150108	06.11.18	36												-	




**Lot 35A**

<p><b>FUZ 170208</b> SPN Mat. 99 OEK 35 TKP RI 95 Oud/Kalw. 3/1 Gem. SI/Kalf /0</p>	<p><b>FUZ 140059</b> SPN Mat. 84</p> 	<p><b>FUZ 150156</b> SPN Mat. 111 Oud/Kalw. 3/2 Gem. SI/Kalf 105/2</p>	<p><b>FUZ 090040</b> SPN Mat. 82 Oud/Kalw. 5/4 Gem. SI/Kalf 93/4</p>	<p><b>FUZ 120061</b> SPN Mat. 92</p>	<p><b>FUZ 100084</b> SPN Mat. 127 Oud/Kalw. 9/7 Gem. SI/Kalf 104/7</p>	<p><b>PER 010038</b> SPN Mat. 60 <b>LPS 990032</b> SPN Mat. 89 <b>HJB 020223</b> SPN Mat. 91 <b>FUZ 060068</b> SPN Mat. 84 <b>FUZ 090081</b> SPN Mat. 89 <b>FUZ 050040</b> SPN Mat. 93 <b>DDJ 040034</b> SPN Mat. 129 <b>FUZ 990012</b> SPN Mat. 116</p>


**Lot 35B**

<p><b>FUZ 170126</b> SPN Mat. 95 OEK 25 TKP 379 RI 121 Oud/Kalw. 3/2 Gem. SI/Kalf 102/1</p>	<p><b>LMR 130374</b> SPN Mat. 106</p> 	<p><b>FUZ 140060</b> SPN Mat. 78 Oud/Kalw. 6/4 Gem. SI/Kalf 93/3</p>	<p><b>AG 100008</b> SPN Mat. 94</p>	<p><b>LMR 090221</b> SPN Mat. 101 Oud/Kalw. 10/7 Gem. SI/Kalf 102/7</p>	<p><b>FUZ 090081</b> SPN Mat. 89</p>	<p><b>FUZ 100080</b> SPN Mat. 86 Oud/Kalw. 5/3 Gem. SI/Kalf 95/2</p>	<p><b>AG 060481</b> SPN Mat. 89 <b>AG 970106</b> SPN Mat. 80 <b>LMR 060150</b> SPN Mat. 92 <b>LMR 060259</b> SPN Mat. 111 <b>AG 020263</b> SPN Mat. 67 <b>FUZ 050030</b> SPN Mat. 108 <b>EI 010200</b> SPN Mat. 103 <b>FUZ 060108</b> SPN Mat. 88</p>


**Lot 36A**

<p><b>FUZ 170138</b> SPN Mat. 105 OEK 24 TKP 396 RI 122 Oud/Kalw. 3/2 Gem. SI/Kalf 96/1</p>	<p><b>FUZ 140117</b> SPN Mat. 111</p> 	<p><b>FUZ 130016</b> SPN Mat. 109 Oud/Kalw. 6/4 Gem. SI/Kalf 103/3</p>	<p><b>FUZ 110185</b> SPN Mat. 85</p> <p>Elite-Goud</p> <p><b>FUZ 080026</b> SPN Mat. 145 Oud/Kalw. 12/10 Gem. SI/Kalf 112/8</p> <p><b>HJB 020223</b> SPN Mat. 91</p>	<p><b>FUZ 100116</b> SPN Mat. 123 Oud/Kalw. 6/4 Gem. SI/Kalf 104/4</p>	<p><b>AG 020263</b> SPN Mat. 67 <b>FUZ 060116</b> SPN Mat. 101 <b>EI 010200</b> SPN Mat. 103 <b>FUZ 030074</b> SPN Mat. 144 <b>GB 920056</b> SPN Mat. 111 <b>HJB 990118</b> SPN Mat. 92 <b>DDJ 040034</b> SPN Mat. 129 <b>FUZ 990040</b> SPN Mat. 114</p>


**Lot 38A**

<p><b>FUZ 170134</b> SPN Mat. 95 OEK 24 TKP 358 RI 123 Oud/Kalw. 3/2 Gem. SI/Kalf 100/1</p>	<p><b>FUZ 140037</b> SPN Mat. 106</p> 	<p><b>FUZ 120050</b> SPN Mat. 82 Oud/Kalw. 8/6 Gem. SI/Kalf 99/5</p>	<p><b>VV 080374</b> SPN Mat. 101</p>	<p><b>FUZ 110148</b> SPN Mat. 109 Oud/Kalw. 9/7 Gem. SI/Kalf 108/6</p>	<p><b>CEW 080056</b> SPN Mat. 54</p>	<p><b>FUZ 050010</b> SPN Mat. 102 Oud/Kalw. 15/13 Gem. SI/Kalf 99/14</p>	<p><b>VV 050036</b> SPN Mat. 86 <b>VV 020096</b> SPN Mat. 99 <b>EI 010200</b> SPN Mat. 103 <b>FUZ 040046</b> SPN Mat. 73 <b>AG 040288</b> SPN Mat. 77 <b>CEW 050073</b> SPN Mat. 57 <b>AG 940196</b> SPN Mat. 87 <b>FUZ 990034</b> SPN Mat. 137</p>

**Lot 38B**

<p><b>FUZ 170026</b> SPN Mat. 98 OEK 38 TKP RI 86 Oud/Kalw. 3/1 Gem. SI/Kalf /0</p>	<p><b>VV 080374</b> SPN Mat. 101</p> 	<p><b>FUZ 140068</b> SPN Mat. 95 Oud/Kalw. 5/3 Gem. SI/Kalf 109/2</p>	<p><b>VV 050036</b> SPN Mat. 86</p> <p><b>VV 020096</b> SPN Mat. 99 Oud/Kalw. 14/13 Gem. SI/Kalf 101/13</p> <p><b>CEW 080056</b> SPN Mat. 54</p>	<p><b>FUZ 020070</b> SPN Mat. 103 Oud/Kalw. 12/10 Gem. SI/Kalf 104/10</p>	<p><b>VV 020392</b> SPN Mat. 103 <b>VV 020416</b> SPN Mat. 105 <b>VV 990017</b> SPN Mat. 91 <b>BG 950120</b> SPN Mat. 102 <b>AG 040288</b> SPN Mat. 77 <b>CEW 050073</b> SPN Mat. 57 <b>RCO 980045</b> SPN Mat. 58 <b>FUZ 990098</b> SPN Mat. 112</p>

**Lot 39A**

<p><b>FUZ 180154</b> SPN Mat. 90 OEK 24 TKP RI 128 Oud/Kalw. 2/1 Gem. SI/Kalf /0</p>	<p><b>JFE 140097</b> SPN Mat. 107</p> 	<p><b>FUZ 150108</b> SPN Mat. 71 Oud/Kalw. 4/3 Gem. SI/Kalf 94/2</p>	<p><b>FCT 080102</b> SPN Mat. 122</p> <p>Elite-Brons</p> <p><b>JFE 110021</b> SPN Mat. 91 Oud/Kalw. 8/7 Gem. SI/Kalf 100/7</p>	<p><b>FUZ 120101</b> SPN Mat. 58</p>	<p><b>FUZ 110042</b> SPN Mat. 98 Oud/Kalw. 7/5 Gem. SI/Kalf 100/5</p>	<p><b>FCT 050041</b> SPN Mat. 96 <b>FCT 050164</b> SPN Mat. 152 <b>CEF 050400</b> SPN Mat. 81 <b>JPL 080087</b> SPN Mat. 100 <b>CEW 080056</b> SPN Mat. 54 <b>FUZ 080042</b> SPN Mat. 98 <b>VV 080374</b> SPN Mat. 101 <b>FUZ 090028</b> SPN Mat. 98</p>

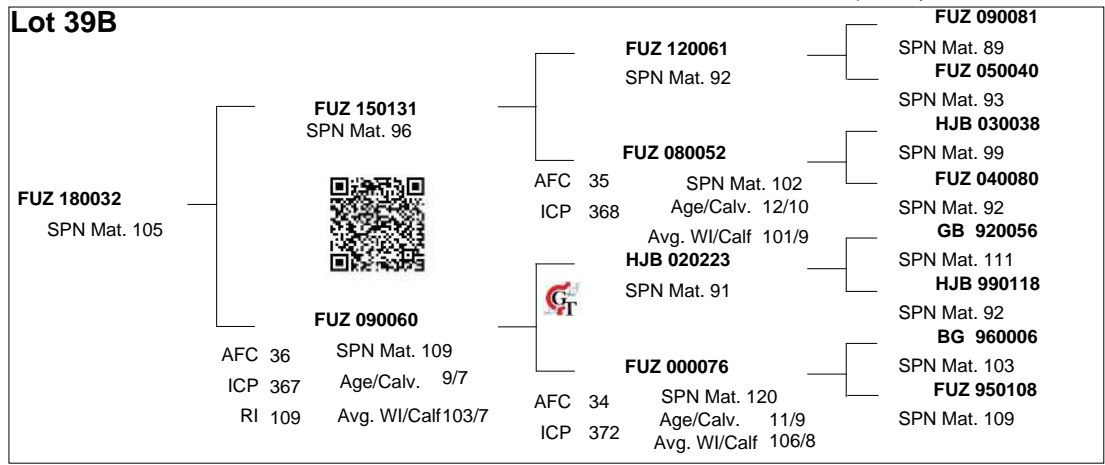
## FEMALE ANIMALS

Lot	Seller	ID	PARENTS		Test	DIRECT CALF TRAITS		DAUGHTER TRAITS			GROWTH		EFF.	REP	MEASURE-MENTS			R:	Breeder Own Remarks	
			SIRE	PV		Progeny Birth Weight	Progeny Wean Weight	Ease of Calving	Milk prod.	Mature Weight	Post Wean Weight	Daily Gain			Feed Conv	Height & Length				
POLLED	Gen	DAM	PV	Genomic Tested	DNA	Breeding Value Indexes											LHR	BWR		WWR
						Birth Dir	Wean Dir	Birth Mat	Wean Mat	Mat Wgt	Post Wean	ADG	FCR	SC	Hgt	Lgt				
				Birth Date	Wgt kg	Wgt kg	Ind	kg	kg	kg	365d Ind	540d Ind	Ind	Ind	(mm)	(mm)	(mm)			

### Pregnant Heifers

39 B	FUZ BONSMARAS	FUZ 180032  SP	FUZ 150131	PW365	<b>90</b>	<b>100</b>	<b>84</b>	<b>105</b>	<b>103</b>	<b>99</b>	<b>97</b>	<b>98</b>	<b>94</b>	<b>100</b>	<b>98</b>	-		
					2.10	13.4	0.53	5.3	13.0	21.6	85	-45	4.6	1	11	6.75		
			FUZ 090060	30.09.18	39	196	<b>94</b>				104	-						

1.02	13.5	-0.19	3.9	10	22	97	-50	9.8	1	14
------	------	-------	-----	----	----	----	-----	-----	---	----




## VROULIKE DIERE

Lot	Verkoper	ID	OUERS	Toets	Teelwaarde indekse											Kalf ID	Gebruiker Eie Opmerkings	
					DIREKTE KALF EIENSKAPPE		DOGTER EIENSKAPPE			GROEI		DOEL	REP	MATES				V:
		VADER GV OV		Genomies Getoets	Geb Dir	Speen Dir	Geb Mat	Speen Mat	Volwas Gew	Naspeen	GDT	VOV	SO	Hgt	Lgt	LHV	Geboorte dat (Gewig)	
		MOEDER GV OV		DNS	Akk	Akk	Akk	Akk	Akk	Akk	Akk	Akk	Akk	Akk	Akk	GGV	Vaar	
		Gen		Geb. dat.	Gew kg	Gew kg	Ind	kg	kg	kg	365dM	540d Ind	Ind	Ind	(mm)	(mm)	(mm)	GT / POLLED


### Koeie met Kalwers

40 A	FUZ BONSMARAS	FUZ 180028	FUZ 150063	NS365	<b>118</b>	<b>101</b>	<b>98</b>	<b>97</b>	<b>107</b>	<b>101</b>	<b>106</b>	<b>103</b>	<b>103</b>	<b>100</b>	<b>105</b>	-	BONMFUZ 200041
			FUZ 160030		-0.93 76	14.0 68	-0.10 53	3.2 45	18.0 38	22.9 52	126 43	-56 14	12.4 47	1 47	21 46	7.57	22.10.20 (26)
				30.09.18	29											55.4	BONMCEF 150536
40 B	FUZ BONSMARAS	FUZ 180074	FUZ 150131	NS365	<b>89</b>	<b>99</b>	<b>89</b>	<b>101</b>	<b>110</b>	<b>92</b>	<b>101</b>	<b>103</b>	<b>92</b>	<b>100</b>	<b>103</b>	-	BONFFUZ 200002
			FUZ 130182		2.19 79	12.8 71	0.33 56	4.1 50	21.0 38	16.4 56	100 47	-57 24	3.6 51	1 52	18 50	6.46	29.08.20 (27)
				15.10.18	35											34.6	-
40 C	FUZ BONSMARAS	FUZ 180212	FUZ 150103	NS540	<b>106</b>	<b>100</b>	<b>95</b>	<b>97</b>	<b>105</b>	<b>103</b>	<b>108</b>	<b>104</b>	<b>107</b>	<b>102</b>	<b>103</b>	-	BONFFUZ 200052
			FUZ 160062		0.34 76	13.4 67	0.04 53	3.0 45	16.0 39	23.8 54	134 44	-58 23	15.7 47	3 48	19 47	7.83	09.12.20 (28)
				30.11.18	31											46.9	-
40 D	FUZ BONSMARAS	FUZ 180054	MC 120238	NS365	<b>108</b>	<b>82</b>	<b>111</b>	<b>94</b>	<b>91</b>	<b>81</b>	<b>91</b>	<b>94</b>	<b>96</b>	<b>86</b>	<b>93</b>	-	BONFFUZ 200038
			FUZ 120136		0.13 78	5.1 73	-0.67 58	2.2 56	-1.0 44	8.4 58	57 49	-36 23	6.9 52	-11 53	5 52	6.04	29.10.20 (17)
				08.10.18	31											34.2	-
41 A	FUZ BONSMARAS	FUZ 180108	FUZ 150089	NS365	<b>90</b>	<b>111</b>	<b>90</b>	<b>94</b>	<b>101</b>	<b>114</b>	<b>110</b>	<b>105</b>	<b>105</b>	<b>112</b>	<b>109</b>	-	BONMFUZ 210067
			FUZ 140118		2.07 78	18.6 70	0.28 54	2.3 48	10.0 38	31.7 54	146 45	-60 16	14.0 50	11 51	27 49	7.33	01.01.21 (36)
				24.10.18	34											40	BONMCEF 150536
41 B	FUZ BONSMARAS	FUZ 180020	ABB 120321	NS365	<b>113</b>	<b>92</b>	<b>115</b>	<b>90</b>	<b>98</b>	<b>90</b>	<b>96</b>	<b>94</b>	<b>97</b>	<b>113</b>	<b>104</b>	-	BONMFUZ 200007
			FUZ 130056		-0.34 77	9.7 72	-0.89 58	1.1 53	8.0 43	14.9 57	79 49	-36 27	7.0 52	12 52	20 52	5.48	18.09.20 (20)
				27.09.18	30											29.6	-


**Lot 40A**

<p><b>FUZ 180028</b> SPN Mat. 97 OEK 25 TKP RI 125 Oud/Kalw. 2/1 Gem. SI/Kalf /0</p>	<p><b>FUZ 150063</b> SPN Mat. 98</p> 	<p><b>FUZ 160030</b> SPN Mat. 98 Oud/Kalw. 3/2 Gem. SI/Kalf 103/1</p>	<p><b>FUZ 090081</b> SPN Mat. 89</p>	<p><b>AG 020263</b> SPN Mat. 67 <b>FUZ 050030</b> SPN Mat. 108 <b>AJ 080015</b> SPN Mat. 101 <b>FUZ 070092</b> SPN Mat. 119 <b>VV 050036</b> SPN Mat. 86 <b>VV 020096</b> SPN Mat. 99 <b>AJ 080015</b> SPN Mat. 101 <b>FUZ 090060</b> SPN Mat. 109</p>
<p>OEK 24 TKP 413 RI 120</p>	<p>OEK 35 SPN Mat. 94 TKP Oud/Kalw. 3/1 RI Gem. SI/Kalf 92/1</p>	<p>OEK 35 SPN Mat. 107 TKP 405 Oud/Kalw. 4/2 Gem. SI/Kalf 104/2</p>	<p>OEK 35 SPN Mat. 107 TKP 405 Oud/Kalw. 4/2 Gem. SI/Kalf 104/2</p>	<p>OEK 35 SPN Mat. 107 TKP 405 Oud/Kalw. 4/2 Gem. SI/Kalf 104/2</p>


**Lot 40B**

<p><b>FUZ 180074</b> SPN Mat. 101 OEK 22 TKP RI 132 Oud/Kalw. 2/1 Gem. SI/Kalf /0</p>	<p><b>FUZ 150131</b> SPN Mat. 96</p> 	<p><b>FUZ 130182</b> SPN Mat. 107 Oud/Kalw. 7/5 Gem. SI/Kalf 100/5</p>	<p><b>FUZ 120061</b> SPN Mat. 92</p>	<p><b>AG 020263</b> SPN Mat. 87 <b>AG N 0045</b> SPN Mat. 104 <b>FUZ 930143</b> SPN Mat. 125 <b>FUZ 990102</b> SPN Mat. 115</p>
<p>OEK 33 TKP 375 RI 108</p>	<p>OEK 34 TKP 369</p>	<p>OEK 34 SPN Mat. 147 TKP 369 Oud/Kalw. 12/10 Gem. SI/Kalf 113/10</p>	<p>OEK 34 SPN Mat. 147 TKP 369 Oud/Kalw. 12/10 Gem. SI/Kalf 113/10</p>	<p>Elite-Silwer <b>FUZ 030122</b> SPN Mat. 125</p>


**Lot 40C**

<p><b>FUZ 180212</b> SPN Mat. 97 OEK 24 TKP RI 126 Oud/Kalw. 2/1 Gem. SI/Kalf /0</p>	<p><b>FUZ 150103</b> SPN Mat. 96</p> 	<p><b>FUZ 160062</b> SPN Mat. 100 Oud/Kalw. 3/2 Gem. SI/Kalf 104/1</p>	<p><b>FUZ 090081</b> SPN Mat. 89</p>	<p><b>AG 020263</b> SPN Mat. 67 <b>FUZ 050030</b> SPN Mat. 108 <b>VV 080374</b> SPN Mat. 101 <b>FUZ 090034</b> SPN Mat. 98 <b>PER 010038</b> SPN Mat. 60 <b>LPS 990032</b> SPN Mat. 89 <b>EI 010200</b> SPN Mat. 103 <b>FUZ 060138</b> SPN Mat. 98</p>
<p>OEK 25 TKP 406 RI 118</p>	<p>OEK 34 SPN Mat. 120 TKP 375 Oud/Kalw. 10/8 Gem. SI/Kalf 109/7</p>	<p>OEK 34 SPN Mat. 120 TKP 375 Oud/Kalw. 10/8 Gem. SI/Kalf 109/7</p>	<p>OEK 34 SPN Mat. 120 TKP 375 Oud/Kalw. 10/8 Gem. SI/Kalf 109/7</p>	<p>Elite-Silwer <b>FUZ 100082</b> SPN Mat. 103</p>


**Lot 40D**

<p><b>FUZ 180054</b> SPN Mat. 94 OEK 25 TKP RI 125 Oud/Kalw. 2/1 Gem. SI/Kalf /0</p>	<p><b>MC 120238</b> SPN Mat. 111</p> 	<p><b>FUZ 120136</b> SPN Mat. 84 Oud/Kalw. 7/5 Gem. SI/Kalf 92/4</p>	<p><b>CEF 080025</b> SPN Mat. 126</p>	<p><b>AG 020251</b> SPN Mat. 121 <b>CEF 020146</b> SPN Mat. 111 <b>LMR 030096</b> SPN Mat. 44 <b>PMB 020084</b> SPN Mat. 98 <b>AG 020263</b> SPN Mat. 67 <b>FUZ 050030</b> SPN Mat. 108 <b>BG 960117</b> SPN Mat. 85 <b>FUZ 970158</b> SPN Mat. 97</p>
<p>OEK 34 TKP 370 RI 109</p>	<p>OEK 30 TKP 383</p>	<p>OEK 30 SPN Mat. 100 TKP 383 Oud/Kalw. 13/11 Gem. SI/Kalf 100/11</p>	<p>OEK 30 SPN Mat. 100 TKP 383 Oud/Kalw. 13/11 Gem. SI/Kalf 100/11</p>	<p>Elite-Silwer <b>FUZ 060110</b> SPN Mat. 108</p>

**Lot 41A**

<p><b>FUZ 180108</b> SPN Mat. 94 OEK 26 TKP RI 120 Oud/Kalw. 2/1 Gem. SI/Kalf /0</p>	<p><b>FUZ 150089</b> SPN Mat. 87</p> 	<p><b>FUZ 140118</b> SPN Mat. 100 Oud/Kalw. 6/4 Gem. SI/Kalf 105/3</p>	<p><b>FUZ 120145</b> SPN Mat. 71</p>	<p><b>CEW 080056</b> SPN Mat. 54 <b>FUZ 090028</b> SPN Mat. 98 <b>HJB 020223</b> SPN Mat. 91 <b>FUZ 000076</b> SPN Mat. 120 <b>AG 020263</b> SPN Mat. 67 <b>FUZ 050030</b> SPN Mat. 108 <b>DV 990310</b> SPN Mat. 115 <b>FUZ 010016</b> SPN Mat. 77</p>
<p>OEK 35 TKP 374 RI 106</p>	<p>OEK 32 SPN Mat. 92 TKP 367 Oud/Kalw. 12/10 Gem. SI/Kalf 100/10</p>	<p>OEK 32 SPN Mat. 92 TKP 367 Oud/Kalw. 12/10 Gem. SI/Kalf 100/10</p>	<p>Elite-Bron <b>FUZ 050122</b> SPN Mat. 92</p>	<p>Elite-Bron <b>FUZ 050122</b> SPN Mat. 92</p>

**Lot 41B**

<p><b>FUZ 180020</b> SPN Mat. 90 OEK 24 TKP RI 128 Oud/Kalw. 2/1 Gem. SI/Kalf /0</p>	<p><b>ABB 120321</b> SPN Mat. 96</p> 	<p><b>FUZ 130056</b> SPN Mat. 88 Oud/Kalw. 6/4 Gem. SI/Kalf 95/3</p>	<p><b>JPL 040065</b> SPN Mat. 119</p>	<p><b>VOG 010001</b> SPN Mat. 113 <b>VOG 020001</b> SPN Mat. 97 <b>WVZ 980025</b> SPN Mat. 102 <b>JJC 960092</b> SPN Mat. 101 <b>CEW 080056</b> SPN Mat. 54 <b>FUZ 030094</b> SPN Mat. 118 <b>EI 010200</b> SPN Mat. 103 <b>FUZ 050046</b> SPN Mat. 97</p>
<p>OEK 24 TKP RI 128</p>	<p>OEK 35 SPN Mat. 88 TKP 371 Oud/Kalw. 6/4 RI 105 Gem. SI/Kalf 95/3</p>	<p>OEK 37 SPN Mat. 104 TKP 346 Oud/Kalw. 4/2 Gem. SI/Kalf 104/2</p>	<p>OEK 37 SPN Mat. 104 TKP 346 Oud/Kalw. 4/2 Gem. SI/Kalf 104/2</p>	<p>Elite-Silwer <b>FUZ 090050</b> SPN Mat. 97</p>

## FEMALE ANIMALS


Lot	Seller	ID POLLED Gen	PARENTS		Test	Breeding Value Indexes											R:	MEASURE- MENTS Height & Length	Calf ID	Calf AT FOOT	Breeder Own Remarks
			SIRE GV PV	DAM GV PV		Genomic Tested	Birth Dir	Wean Dir	Birth Mat	Wean Mat	Mat Wgt	Post Wean	ADG	FCR	SC	Hgt					
DNA		Acc	Acc	Acc	Acc	Acc	Acc	Acc	Acc	Acc	Acc	Acc	Acc	Acc	Acc	BWR	Sire				
Birth Date	Wgt kg	Wgt kg	Ind	kg	kg	kg	365dM	540d Ind	Ind	Ind	Ind	(mm)	(mm)	(mm)	WWR	GT / POLLED					

### Cows with Calves


41 C	FUZ BONSMARAS	FUZ 180042 B	FUZ 150063	PW365	<b>91</b>	<b>124</b>	<b>84</b>	<b>98</b>	<b>131</b>	<b>125</b>	<b>128</b>	<b>113</b>	<b>116</b>	<b>119</b>	<b>120</b>	-	BONMFUZ 200011
					1.95	24.8	0.56	3.4	44.0	40.2	231	-78	22.5	17	42	6.89	05.10.20 (35)
			FUZ 160036	05.10.18	76	69	54	48	39	53	45	24	49	49	48	52.1	BONMCEF 150536
41 D	FUZ BONSMARAS	FUZ 180072 SP	FUZ 150019	PW365	<b>102</b>	<b>97</b>	<b>135</b>	<b>93</b>	<b>104</b>	<b>95</b>	<b>100</b>	<b>99</b>	<b>103</b>	<b>95</b>	<b>100</b>	-	BONFFUZ 210064
					0.79	11.9	-1.81	2.0	14.0	18.7	96	-47	12.3	-3	14	5.47	05.01.21 (23)
			FUZ 090144	13.10.18	78	73	58	53	39	58	50	17	54	55	53	32.4	BONMGA 150348

1.02	13.5	-0.19	3.9	10	22	97	-50	9.8	1	14
------	------	-------	-----	----	----	----	-----	-----	---	----

**Lot 41C**

<p><b>FUZ 180042</b>                  SPN Mat. 98                  AFC 24                  ICP                  RI 127                  Age/Calv. 2/1                  Avg. Wl/Calf /0</p>	<p><b>FUZ 150063</b>                  SPN Mat. 98</p> 	<p><b>FUZ 160036</b>                  SPN Mat. 101                  Age/Calv. 5/3</p>	<p><b>FUZ 090081</b>                  SPN Mat. 89</p>	<p><b>AG 020263</b>                  SPN Mat. 67  <b>FUZ 050030</b>                  SPN Mat. 108  <b>AJ 080015</b>                  SPN Mat. 101  <b>FUZ 070092</b>                  SPN Mat. 119  <b>PER 010038</b>                  SPN Mat. 60  <b>LPS 990032</b>                  SPN Mat. 89  <b>DV 990310</b>                  SPN Mat. 115  <b>FUZ 990036</b>                  SPN Mat. 91</p>
			<p><b>FUZ 110068</b>                  AFC 35 SPN Mat. 117                  ICP 373 Age/Calv. 8/6                  Avg. Wl/Calf 105/5</p>	<p><b>LPS 060117</b>                  SPN Mat. 70                  Gold</p>

**Lot 41D**

<p><b>FUZ 180072</b>                  SPN Mat. 93                  AFC 27                  ICP                  RI 119                  Age/Calv. 2/1                  Avg. Wl/Calf /0</p>	<p><b>FUZ 150019</b>                  SPN Mat. 94</p> 	<p><b>FUZ 090144</b>                  AFC 34 SPN Mat. 100                  ICP 380 Age/Calv. 10/8                  RI 109 Avg. Wl/Calf 97/8</p>	<p><b>FUZ 120077</b>                  SPN Mat. 113</p>	<p><b>LMR 080104 Pp(c)</b>                  SPN Mat. 108  <b>FUZ 060070</b>                  SPN Mat. 98  <b>AG 020263</b>                  SPN Mat. 67  <b>FUZ 080106</b>                  SPN Mat. 105  <b>BFB 000032</b>                  SPN Mat. 107  <b>JH 940027</b>                  SPN Mat. 124  <b>EI 010200</b>                  SPN Mat. 103  <b>FUZ 000106</b>                  SPN Mat. 96</p>
			<p><b>FUZ 120108</b>                  AFC 34 SPN Mat. 85                  ICP 383 Age/Calv. 8/6                  Avg. Wl/Calf 99/5</p>	<p><b>DDJ 040034</b>                  SPN Mat. 129</p>

**VROULIKE DIERE**

Lot	Verkoper	ID	OUERS	Toets	Teelwaarde indekse											LHV	GGV	SGV	Gebruiker Eie Opmerkings	
					DIREKTE KALF EIENSKAPPE		DOGTER EIENSKAPPE			GROEI		DOEL	REP	MATES						V:
		VADER GV OV		Genomies Getoets	Geb Dir	Speen Dir		Geb Mat	Speen Mat	Volwas- se Gewig	Naspeen		GDT	VOV	SO	Hgt	Lgt			
		MOEDER GV OV		DNS	Akk	Akk		Akk	Akk	Akk	Akk		Akk	Akk	Akk	Akk	Akk	Akk		
		Gen		Geb. dat.	Gew kg	Gew kg	Ind	kg	kg	kg	365d Ind	540d Ind	Ind	Ind	(mm)	(mm)	(mm)			

**Dragtige Verse**


42 A	FUZ BONSMARAS	FUZ 180130 SP	FUZ 150019	NS365	<b>103</b>	<b>119</b>		<b>111</b>	<b>96</b>	<b>107</b>	<b>113</b>		<b>107</b>	<b>103</b>	<b>113</b>	<b>101</b>	<b>111</b>	-		
					0.71	22.1		-0.68	2.7	18.0	31.5		131	-57	20.1	2	29	6.14		
			FUZ 130024	31.10.18	32	206	<b>110</b>				115	-								
42 B	FUZ BONSMARAS	FUZ 180036 SP	FUZ 150025	NS365	<b>109</b>	<b>117</b>		<b>119</b>	<b>99</b>	<b>118</b>	<b>108</b>		<b>113</b>	<b>106</b>	<b>108</b>	<b>115</b>	<b>117</b>	-		
					0.09	21.6		-1.04	3.5	30.0	27.5		160	-63	15.9	13	38	5.9		
			FUZ 160052	03.10.18	24	290	<b>132</b>				113	-								
43 A	FUZ BONSMARAS	FUZ 180104 SP	FUZ 150085	NS365	<b>109</b>	<b>106</b>		<b>106</b>	<b>93</b>	<b>114</b>	<b>104</b>		<b>104</b>	<b>103</b>	<b>111</b>	<b>102</b>	<b>101</b>	-		
					0.08	16.1		-0.49	2.0	26.0	25.1		114	-56	19.1	3	16	5.02		
			FUZ 110042	24.10.18	31	188	<b>94</b>				98	-								



**Lot 42A**

**FUZ 180130**  
SPN Mat. 96

**FUZ 150019**  
SPN Mat. 94



**FUZ 130024**  
SPN Mat. 101  
Oud/Kalw. 6/4  
Gem. SI/Kalf 100/3

OEK 35  
TKP 381  
RI 104

**FUZ 120077**  
SPN Mat. 113

**FUZ 120108**  
SPN Mat. 85  
Oud/Kalw. 8/6  
Gem. SI/Kalf 99/5

OEK 34  
TKP 383

**VV 080374**  
SPN Mat. 101

**FUZ 100078**  
SPN Mat. 97  
Oud/Kalw. 10/8  
Gem. SI/Kalf 100/6


OEK 35  
TKP 367

**LMR 080104 Pp(c)**  
SPN Mat. 108  
**FUZ 060070**  
SPN Mat. 98  
**AG 020263**  
SPN Mat. 67  
**FUZ 080106**  
SPN Mat. 105  
**VV 050036**  
SPN Mat. 86  
**VV 020096**  
SPN Mat. 99  
**HJB 020223**  
SPN Mat. 91  
**FUZ 050022**  
SPN Mat. 128

**Lot 42B**

**FUZ 180036**  
SPN Mat. 99

**FUZ 150025**  
SPN Mat. 91



**FUZ 160052**  
SPN Mat. 121  
Oud/Kalw. 2/1  
Gem. SI/Kalf 132/1

OEK 24  
TKP  
RI 128

**VV 080374**  
SPN Mat. 101

**FUZ 130002**  
SPN Mat. 83  
Oud/Kalw. 4/2  
Gem. SI/Kalf 101/2

OEK 32  
TKP 411

**FUZ 130069**  
SPN Mat. 99

**FUZ 050030**  
SPN Mat. 108  
Oud/Kalw. 11/9  
Gem. SI/Kalf 100/9


OEK 36  
TKP 368

**VV 050036**  
SPN Mat. 86  
**VV 020096**  
SPN Mat. 99  
**AG 020263**  
SPN Mat. 67  
**FUZ 050122**  
SPN Mat. 92  
**AJ 080015**  
SPN Mat. 101  
**FUZ 090078**  
SPN Mat. 94  
**AG 940196**  
SPN Mat. 87  
**FUZ 980032**  
SPN Mat. 108

**Lot 43A**

**FUZ 180104**  
SPN Mat. 93

**FUZ 150085**  
SPN Mat. 86



**FUZ 110042**  
SPN Mat. 98  
Oud/Kalw. 7/5  
Gem. SI/Kalf 100/5

OEK 35  
TKP 375  
RI 106

**LPS 060117**  
SPN Mat. 70  
Goud

**FUZ 060140**  
SPN Mat. 103  
Oud/Kalw. 13/11  
Gem. SI/Kalf 106/11

OEK 28  
TKP 387

**VV 080374**  
SPN Mat. 101

**FUZ 090028**  
SPN Mat. 98  
Oud/Kalw. 8/6  
Gem. SI/Kalf 105/6

OEK 29  
TKP 375

**PER 010038**  
SPN Mat. 60  
**LPS 990032**  
SPN Mat. 89  
**RCO 980045**  
SPN Mat. 58  
**FUZ 030112**  
SPN Mat. 125  
**VV 050036**  
SPN Mat. 86  
**VV 020096**  
SPN Mat. 99  
**FUZ 060111**  
SPN Mat. 89  
**FUZ 060116**  
SPN Mat. 101

## FEMALE ANIMALS

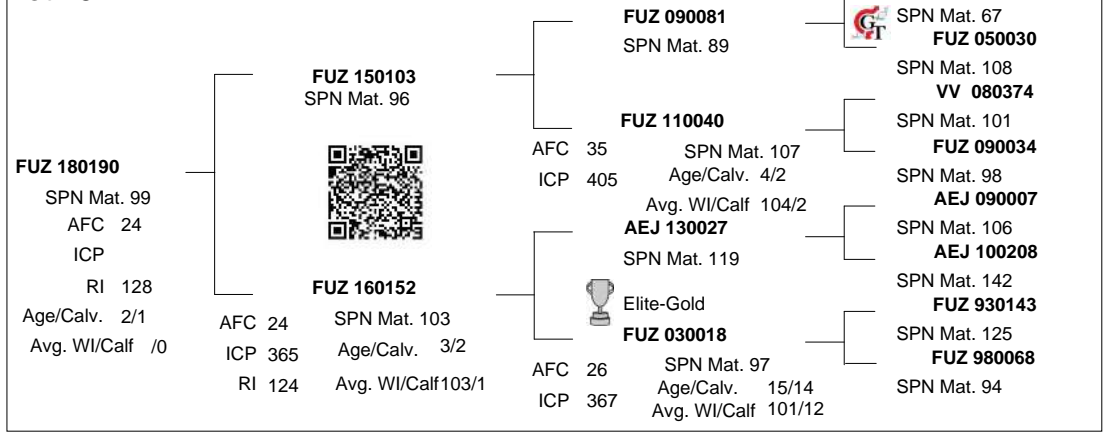
Lot	Seller	ID POLLED Gen	PARENTS		Test	Breeding Value Indexes											R:	MEASURE- MENTS Height & Length	Calf ID	Calf AT FOOT	Breeder Own Remarks
			SIRE GV PV	DAM GV PV		Birth Dir	Wean Dir	Birth Mat	Wean Mat	Mat Wgt	Post Wean	ADG	FCR	SC	Hgt	Lgt					
Genomic Tested		DNA	Acc	Acc	Acc	Acc	Acc	Acc	Acc	Acc	Acc	Acc	Acc	Acc	Acc	Acc	BWR	Sire			
Birth Date	Wgt kg	Wgt kg	Ind	kg	kg	kg	365dM	540d Ind	Ind	Ind	Ind	(mm)	(mm)	(mm)	WWR	GT / POLLED					

### Cows with Calves

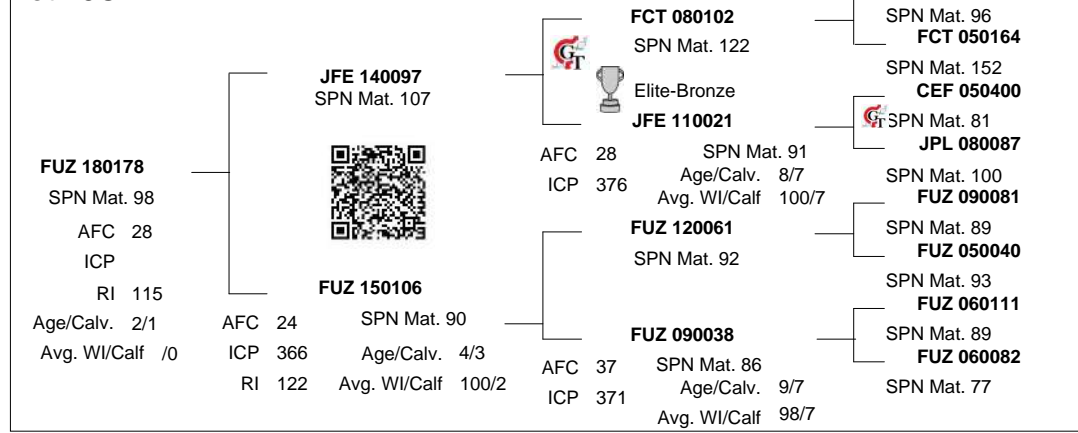
43 B	FUZ BONSMARAS	FUZ 180190 SP	FUZ 150103	PW540	<b>135</b>	<b>88</b>	<b>109</b>	<b>99</b>	<b>93</b>	<b>92</b>	<b>104</b>	<b>100</b>	<b>96</b>	<b>105</b>	<b>103</b>	-	BONFFUZ 200044
					-2.62	7.9	-0.58	3.5	2.0	16.3	116	-49	6.9	5	19	6.7	10.11.20 (27)
			FUZ 160152	21.11.18	76	67	52	44	35	54	42	15	46	47	46	50.5	-
43 C	FUZ BONSMARAS	FUZ 180178 SP	JFE 140097	PW365	<b>88</b>	<b>111</b>	<b>105</b>	<b>98</b>	<b>114</b>	<b>106</b>	<b>97</b>	<b>97</b>	<b>89</b>	<b>101</b>	<b>102</b>	-	BONMFUZ 210103
					2.33	18.6	-0.41	3.3	26.0	26.6	81	-43	1.3	2	18	8.78	02.03.21 (29)
			FUZ 150106	29.10.18	77	70	54	48	38	53	46	19	50	50	49	-	-

1.02	13.5	-0.19	3.9	10	22	97	-50	9.8	1	14
------	------	-------	-----	----	----	----	-----	-----	---	----

**Lot 43B**



**Lot 43C**



**VROULIKE DIERE**

Lot	Verkoper	ID	OUERS	Toets	DIREKTE KALF EIENSKAPPE		DOGTER EIENSKAPPE			GROEI		DOEL	REP	MATES	V:	LHV	GGV	SGV	Gebruiker Eie Opmerkings			
					Nageslag Geboortegewig	Nageslag Speengewig	Gemak van Kalwing	Melk prod.	Volwasse Gewig	Naspeengewig	Daaglikse Toename									Voeromset	Hoogte & Lengte	
					Teelwaarde indekse																	
		POENA	VADER GV OV	Genomies Getoets	Geb Dir	Speen Dir	Geb Mat	Speen Mat	Volw Gew	Naspeen	GDT	VOV	SO	Hgt	Lgt							
		Gen	MOEDER GV OV	DNS	Akk	Akk	Akk	Akk	Akk	Akk	Akk	Akk	Akk	Akk	Akk	Akk	Akk	Akk				
				Geb. dat.	Gew kg	Gew kg	Ind	kg	kg	kg	365d Ind	540d Ind	Ind	Ind	(mm)	(mm)	(mm)					

**Dragtige Verse**

43 D	FUZ BONSMARAS	FUZ 180066  SP	JFE 140097	NS365	<b>105</b>	<b>94</b>	<b>104</b>	<b>100</b>	<b>98</b>	<b>92</b>	<b>93</b>	<b>91</b>	<b>90</b>	<b>93</b>	<b>98</b>	-		
					0.54	10.8	-0.39	4.0	7.0	16.1	64	-30	1.3	-5	12	7.71		
			FUZ 150024	10.10.18	31	192	<b>96</b>			93	-						34.2	

**Lot 43D**

**FUZ 180066**  
 SPN Mat. 100

**JFE 140097**  
 SPN Mat. 107



**FUZ 150024**

OEK 24 SPN Mat. 93  
 TKP 398 Oud/Kalw. 3/2  
 RI 121 Gem. SI/Kalf 95/2



**FCT 080102**  
 SPN Mat. 122



Elite-Brons

**JFE 110021**

OEK 28 SPN Mat. 91  
 TKP 376 Oud/Kalw. 8/7  
 Gem. SI/Kalf 100/7

**FUZ 120077**  
 SPN Mat. 113

**FUZ 120136**  
 OEK 34 SPN Mat. 84  
 TKP 370 Oud/Kalw. 7/5  
 Gem. SI/Kalf 92/4

**FCT 050041**

SPN Mat. 96  
**FCT 050164**

SPN Mat. 152  
**CEF 050400**



SPN Mat. 81  
**JPL 080087**

SPN Mat. 100  
**LMR 080104 Pp(c)**

SPN Mat. 108  
**FUZ 060070**

SPN Mat. 98  
**FUZ 090081**

SPN Mat. 89  
**FUZ 060110**

SPN Mat. 100

## FEMALE ANIMALS


Lot	Seller	ID	PARENTS	Test	Breeding Value Indexes											R:	Calf ID	Breeder Own Remarks				
					DIRECT CALF TRAITS		DAUGHTER TRAITS			GROWTH		EFF.	REP	MEASURE-MENTS								
		POLLED		Gen		SIRE	PV	Genomic Tested	Birth Dir	Wean Dir	Birth Mat	Wean Mat	Mat Wgt	Post Wean	ADG	FCR	SC	Hgt	Lgt	LHR	Birth Date (Weight)	
						DAM	PV	DNA	Acc	Acc	Acc	Acc	Acc	Acc	Acc	Acc	Acc	Acc	Acc	BWR	Sire	
						GV	PV	Birth Date	Wgt kg	Wgt kg	Ind	kg	kg	kg	365d	540d	Ind	Ind	(mm)	(mm)	(mm)	GT / POLLED

### Cows with Calves


44 A	FUZ BONSMARAS	FUZ 180078	FUZ 150025	PW365	<b>93</b>	<b>97</b>	<b>88</b>	<b>101</b>	<b>90</b>	<b>98</b>	<b>94</b>	<b>98</b>	<b>87</b>	<b>94</b>	<b>96</b>	-	BONMFUZ 210101	
					1.74	12.0	0.36	4.1	-1.0	20.8	71	-45	-0.6	-4	9	9.87	09.02.21 (41)	
			FUZ 160132		75	68	51	44	39	51	43	17	47	48	46	50.3	-	
		SP		16.10.18	31													
44 B	FUZ BONSMARAS	FUZ 180076	FUZ 150063	PW365	<b>113</b>	<b>92</b>	<b>92</b>	<b>92</b>	<b>107</b>	<b>97</b>	<b>100</b>	<b>100</b>	<b>94</b>	<b>101</b>	<b>100</b>	-	BONMFUZ 210093	
					-0.36	9.9	0.18	1.5	17.0	20.0	98	-49	5.2	2	14	6.38	30.01.21 (-)	
			FUZ 160064		74	68	43	44	36	51	43	19	47	48	46	41	-	
		SP		15.10.18	27													
44 C	FUZ BONSMARAS	FUZ 180014	FUZ 150131	PW365	<b>105</b>	<b>96</b>	<b>103</b>	<b>83</b>	<b>103</b>	<b>94</b>	<b>102</b>	<b>101</b>	<b>93</b>	<b>99</b>	<b>97</b>	-	BONFFUZ 200056	
					0.44	11.8	-0.34	-0.7	13.0	17.7	107	-51	4.0	1	10	6.69	17.12.20 (30)	
			FUZ 120200		77	71	55	50	40	56	46	22	49	50	49	36.4	-	
		SP		22.09.18	33													
45 A	FUZ BONSMARAS	FUZ 180156	FUZ 150085	PW365	<b>75</b>	<b>113</b>	<b>71</b>	<b>102</b>	<b>109</b>	<b>113</b>	<b>108</b>	<b>102</b>	<b>108</b>	<b>110</b>	<b>107</b>	-	BONMFUZ 200013	
					3.69	19.4	1.14	4.4	20.0	31.0	136	-54	16.3	9	24	7.84	28.09.20 (28)	
			FUZ 080058		78	72	58	54	38	57	51	24	55	56	54	39	BONMCEF 150536	
		SP		06.11.18	46													
45 B	FUZ BONSMARAS	FUZ 180082	MC 120238	PW365	<b>49</b>	<b>129</b>	<b>87</b>	<b>105</b>	<b>117</b>	<b>124</b>	<b>104</b>	<b>102</b>	<b>104</b>	<b>107</b>	<b>112</b>	-	BONMFUZ 200019	
					6.42	26.7	0.40	5.3	28.0	38.9	114	-53	13.4	7	31	9.11	15.10.20 (35)	
			FUZ 140068		78	72	57	53	41	58	50	22	53	54	53	-	-	
		SP		17.10.18	48													
45 C	FUZ BONSMARAS	FUZ 180084	JFE 140097	PW365	<b>101</b>	<b>109</b>	<b>103</b>	<b>114</b>	<b>111</b>	<b>109</b>	<b>102</b>	<b>95</b>	<b>97</b>	<b>104</b>	<b>110</b>	-	BONMFUZ 210193	
					0.95	17.8	-0.35	7.8	22.0	28.4	105	-39	7.4	4	29	6.71	02.02.21 (30)	
			FUZ 150007		77	71	54	50	42	54	48	20	51	51	50	40.3	BONMGA 150348	
		SP		18.10.18	30													

1.02	13.5	-0.19	3.9	10	22	97	-50	9.8	1	14
------	------	-------	-----	----	----	----	-----	-----	---	----


**Lot 44A**

<p><b>FUZ 180078</b>                  SPN Mat. 101                  AFC 28                  ICP                  RI 116                  Age/Calv. 2/1                  Avg. WI/Calf /0</p>	<p><b>FUZ 150025</b>                  SPN Mat. 91</p> 	<p><b>FUZ 160132</b>                  SPN Mat. 100                  Age/Calv. 2/1                  Avg. WI/Calf 93/1</p>	<p><b>VV 080374</b>                  SPN Mat. 101</p>	<p><b>VV 050036</b>                  SPN Mat. 86  <b>VV 020096</b>                  SPN Mat. 99  <b>AG 020263</b>                  SPN Mat. 67  <b>FUZ 050122</b>                  SPN Mat. 92  <b>AEJ 090007</b>                  SPN Mat. 106  <b>AEJ 100208</b>                  SPN Mat. 142  <b>AG 020263</b>                  SPN Mat. 67  <b>FUZ 050022</b>                  SPN Mat. 128</p>


**Lot 44B**

<p><b>FUZ 180076</b>                  SPN Mat. 92                  AFC 27                  ICP                  RI 117                  Age/Calv. 2/1                  Avg. WI/Calf /0</p>	<p><b>FUZ 150063</b>                  SPN Mat. 98</p> 	<p><b>FUZ 160064</b>                  SPN Mat. 82                  Age/Calv. 3/2                  Avg. WI/Calf 90/1</p>	<p><b>FUZ 090081</b>                  SPN Mat. 89</p>	<p><b>AG 020263</b>                  SPN Mat. 67  <b>FUZ 050030</b>                  SPN Mat. 108  <b>AJ 080015</b>                  SPN Mat. 101  <b>FUZ 070092</b>                  SPN Mat. 119  <b>JPL 040065</b>                  SPN Mat. 119  <b>JJC 050042</b>                  SPN Mat. 107  <b>AG 020263</b>                  SPN Mat. 67  <b>FUZ 050122</b>                  SPN Mat. 92</p>


**Lot 44C**

<p><b>FUZ 180014</b>                  SPN Mat. 83                  AFC 27                  ICP                  RI 119                  Age/Calv. 2/1                  Avg. WI/Calf /0</p>	<p><b>FUZ 150131</b>                  SPN Mat. 96</p> 	<p><b>FUZ 120200</b>                  SPN Mat. 73                  Age/Calv. 7/5                  Avg. WI/Calf 92/4</p>	<p><b>FUZ 120061</b>                  SPN Mat. 92</p>	<p><b>FUZ 090081</b>                  SPN Mat. 89  <b>FUZ 050040</b>                  SPN Mat. 93  <b>HJB 030038</b>                  SPN Mat. 99  <b>FUZ 040080</b>                  SPN Mat. 92  <b>PER 010038</b>                  SPN Mat. 60  <b>LPS 990032</b>                  SPN Mat. 89  <b>HJB 030038</b>                  SPN Mat. 99  <b>FUZ 030090</b>                  SPN Mat. 119</p>


**Lot 45A**

<p><b>FUZ 180156</b>                  SPN Mat. 102                  AFC 23                  ICP                  RI 131                  Age/Calv. 2/1                  Avg. WI/Calf /0</p>	<p><b>FUZ 150085</b>                  SPN Mat. 86</p> 	<p><b>FUZ 080058</b>                  SPN Mat. 119                  Age/Calv. 11/9                  Avg. WI/Calf 102/8</p>	<p><b>LPS 060117</b>                  SPN Mat. 70                  Gold</p>	<p><b>PER 010038</b>                  SPN Mat. 60  <b>LPS 990032</b>                  SPN Mat. 89  <b>FUZ 930143</b>                  SPN Mat. 125  <b>FUZ 0422</b>                  SPN Mat. 101</p>

**Lot 45B**

<p><b>FUZ 180082</b>                  SPN Mat. 105                  AFC 24                  ICP                  RI 127                  Age/Calv. 2/1                  Avg. WI/Calf /0</p>	<p><b>MC 120238</b>                  SPN Mat. 111</p> 	<p><b>FUZ 140068</b>                  SPN Mat. 95                  Age/Calv. 5/3                  Avg. WI/Calf 109/2</p>	<p><b>CEF 080025</b>                  SPN Mat. 126</p>	<p><b>AG 020251</b>                  SPN Mat. 121  <b>CEF 020146</b>                  SPN Mat. 111  <b>LMR 030096</b>                  SPN Mat. 44  <b>PMB 020084</b>                  SPN Mat. 98  <b>AG 040288</b>                  SPN Mat. 77  <b>CEW 050073</b>                  SPN Mat. 57  <b>RCO 980045</b>                  SPN Mat. 58  <b>FUZ 990098</b>                  SPN Mat. 112</p>

**Lot 45C**


<p><b>FUZ 180084</b>                  SPN Mat. 114                  AFC 27                  ICP                  RI 117                  Age/Calv. 2/1                  Avg. WI/Calf /0</p>	<p><b>JFE 140097</b>                  SPN Mat. 107</p> 	<p><b>FUZ 150007</b>                  SPN Mat. 123                  Age/Calv. 4/3                  Avg. WI/Calf 108/3</p>	<p><b>FCT 080102</b>                  SPN Mat. 122</p>	<p><b>FCT 050041</b>                  SPN Mat. 96  <b>FCT 050164</b>                  SPN Mat. 152  <b>CEF 050400</b>                  SPN Mat. 81  <b>JPL 080087</b>                  SPN Mat. 100  <b>LMR 080104 Pp(c)</b>                  SPN Mat. 108  <b>FUZ 060070</b>                  SPN Mat. 98  <b>AJ 080015</b>                  SPN Mat. 101  <b>FUZ 070092</b>                  SPN Mat. 119</p>

## VROULIKE DIERE


Lot	Verkoper	ID POENA Gen	OUERS VADER GV OV MOEDER GV OV	Toets Genomies Getoets DNS Geb. dat.	Teelwaarde indekse										DOEL	REP	MATES Hoogte & Lengte	V: LHV GGV SGV	KALF AAN HOEF Geboorte dat (Gewig) Vaar GT / POLLED	Gebruiker Eie Opmerkings
					DIREKTE KALF EIENSKAPPE		DOGTER EIENSKAPPE			GROEI		DOEL	REP	MATES						
						Nageslag Geboorte- gewig	Nageslag Speengewig	Gemak van Kalwing	Melk prod.	Volwas- se Gewig	Naspeen- gewig	Daaglikse Toename	Voer- omset							
						Geb Dir	Speen Dir	Geb Mat	Speen Mat	Volw Gew	Naspeen	GDT	VOV	SO	Hgt	Lgt				
						Akk	Akk	Akk	Akk	Akk	Akk	Akk	Akk	Akk	Akk	Akk	Akk	Akk		
						Gew kg	Gew kg	Ind	kg	kg	kg	365dM	540d Ind	Ind	Ind	(mm)	(mm)	(mm)		
<b>Koeie met Kalwers</b>																				
45 D	FUZ BONSMARAS	FUZ 180162 SP	FUZ 150085	NS365	<b>79</b>	<b>110</b>	<b>105</b>	<b>86</b>	<b>104</b>	<b>101</b>	<b>104</b>	<b>106</b>	<b>106</b>	<b>99</b>	<b>100</b>	-	BONMFUZ 200057			
					3.20	18.2	-0.42	-0.1	14.0	22.7	117	-64	14.4	0	14					
			FUZ 120108	06.11.18	79	71	57	52	42	58	50	27	53	54	53	7.29	30.11.20 (33)			
46 A	FUZ BONSMARAS	FUZ 180150 SP	MC 120238	NS365	<b>82</b>	<b>98</b>	<b>118</b>	<b>107</b>	<b>99</b>	<b>100</b>	<b>95</b>	<b>96</b>	<b>98</b>	<b>91</b>	<b>99</b>	-	BONFUZ 200014			
					2.94	12.8	-1.01	6.0	9.0	22.2	72	-42	8.0	-6	13					
			FUZ 120070	02.11.18	78	72	58	56	44	58	51	23	54	55	54	6.79	08.10.20 (21)			
46 B	FUZ BONSMARAS	FUZ 180122 SP	FUZ 150019	NS365	<b>104</b>	<b>102</b>	<b>119</b>	<b>98</b>	<b>98</b>	<b>99</b>	<b>97</b>	<b>96</b>	<b>107</b>	<b>97</b>	<b>102</b>	-	BONMFUZ 200029			
					0.55	14.2	-1.07	3.4	8.0	21.6	81	-41	15.1	-1	18					
			FUZ 080018	29.10.18	78	73	58	53	39	58	49	20	52	53	52	6.37	18.10.20 (21)			
46 C	FUZ BONSMARAS	FUZ 180198 SP	FUZ 150019	NS540	<b>111</b>	<b>107</b>	<b>131</b>	<b>85</b>	<b>105</b>	<b>100</b>	<b>103</b>	<b>104</b>	<b>107</b>	<b>99</b>	<b>104</b>	-	BONMFUZ 200023			
					-0.15	16.7	-1.61	-0.4	15.0	21.7	111	-57	15.7	0	20					
			FUZ 120008	22.11.18	79	71	56	51	40	59	50	19	53	54	53	5.24	17.10.20 (22)			
					30												37.2	BONMCEF 150536		




**Lot 45D**

<b>FUZ 180162</b> SPN Mat. 86 OEK 25 TKP RI 125 Oud/Kalw. 2/1 Gem. Sl/Kalf /0	<b>FUZ 150085</b> SPN Mat. 86 	V LPS 060117 SPN Mat. 70 Goud FUZ 060140 OEK 28 SPN Mat. 103 TKP 387 Oud/Kalw. 13/11 Gem. Sl/Kalf 106/11 AG 020263 SPN Mat. 67 GT	PER 010038 SPN Mat. 60 LPS 990032 SPN Mat. 89 RCO 980045 SPN Mat. 58 FUZ 030112 SPN Mat. 125 AG 980338 SPN Mat. 87 AG N 0045 SPN Mat. 104 RCO 980045 SPN Mat. 58 FUZ 990034 SPN Mat. 137


**Lot 46A**

<b>FUZ 180150</b> SPN Mat. 107 OEK 23 TKP RI 130 Oud/Kalw. 2/1 Gem. Sl/Kalf /0	<b>MC 120238</b> SPN Mat. 111 	CEF 080025 SPN Mat. 126 GT LMR 080159 OEK 28 SPN Mat. 68 TKP 401 Oud/Kalw. 12/10 Gem. Sl/Kalf 96/9 LMR 080104 Pp(c) SPN Mat. 108 GT	AG 020251 SPN Mat. 121 CEF 020146 SPN Mat. 111 LMR 030096 SPN Mat. 44 PMB 020084 SPN Mat. 98 LMR 020173 SPN Mat. 115 LMR 020171 SPN Mat. 112 EI 010200 SPN Mat. 103 FUZ 020098 SPN Mat. 115

**Lot 46B**

<b>FUZ 180122</b> SPN Mat. 98 OEK 24 TKP RI 128 Oud/Kalw. 2/1 Gem. Sl/Kalf /0	<b>FUZ 150019</b> SPN Mat. 94 	LMR 080104 Pp(c) SPN Mat. 108 FUZ 060070 SPN Mat. 98 AG 020263 SPN Mat. 67 GT FUZ 080106 SPN Mat. 105 GB 920056 SPN Mat. 111 HJB 990118 SPN Mat. 92 EI 010200 SPN Mat. 103 FUZ 020024 SPN Mat. 93

**Lot 46C**

<b>FUZ 180198</b> SPN Mat. 85 OEK 23 TKP RI 131 Oud/Kalw. 2/1 Gem. Sl/Kalf /0	<b>FUZ 150019</b> SPN Mat. 94 	LMR 080104 Pp(c) SPN Mat. 108 FUZ 060070 SPN Mat. 98 AG 020263 SPN Mat. 67 GT FUZ 080106 SPN Mat. 105 VV 050036 SPN Mat. 86 VV 020096 SPN Mat. 99 AG 020263 SPN Mat. 67 GT FUZ 050054 SPN Mat. 123



## FEMALE ANIMALS

Lot	Seller	ID	PARENTS		Test	Breeding Value Indexes											R:	Breeder Own Remarks					
			SIRE	PV		Genomic Tested	Birth Dir		Wean Dir		Birth Mat	Wean Mat	Mat Wgt	Post Wean		ADG			FCR	SC	Hgt	Lgt	LHR
			GV	DAM			Acc	Acc	Acc	Acc	Acc	365d	540d	Acc	Acc	Acc			Acc	Acc	Acc	Acc	BWR
		POLLED	GV	PV	DNA	Wgt kg	Wgt kg	Ind	kg	kg	kg	Ind	Ind	Ind	Ind	(mm)	(mm)	(mm)	WWR				
		Gen	GV	PV	Birth Date																		


### Pregnant Heifers

47 A	FUZ BONSMARAS	FUZ 180096	JFE 140097	PW365	<b>94</b>	<b>106</b>	<b>108</b>	<b>93</b>	<b>97</b>	<b>101</b>	<b>94</b>	<b>93</b>	<b>83</b>	<b>102</b>	<b>104</b>	-		
					1.64	16.3	-0.55	2.1	6.0	22.8	70	-34	-3.9	3	20	7.67		
			FUZ 150088	22.10.18	33	209	106			102	-							44.8
47 B	FUZ BONSMARAS	FUZ 180214	FUZ 150131	PW540	<b>88</b>	<b>99</b>	<b>91</b>	<b>84</b>	<b>104</b>	<b>95</b>	<b>97</b>	<b>96</b>	<b>86</b>	<b>106</b>	<b>101</b>	-		
					2.34	13.0	0.23	-0.5	14.0	18.4	84	-42	-1.2	6	16	6.43		
			FUZ 120186	06.12.18	36	221	91			-	99							36
47 C	FUZ BONSMARAS	FUZ 180062	FUZ 150019	PW365	<b>87</b>	<b>110</b>	<b>108</b>	<b>71</b>	<b>111</b>	<b>112</b>	<b>101</b>	<b>100</b>	<b>102</b>	<b>93</b>	<b>99</b>	-		
					2.44	18.3	-0.58	-4.2	22.0	30.4	103	-49	11.7	-5	13	6.43		
			FUZ 100014	09.10.18	37	199	97			104	-							31.9
48 A	FUZ BONSMARAS	FUZ 180018	ABB 120321	PW365	<b>117</b>	<b>97</b>	<b>114</b>	<b>102</b>	<b>100</b>	<b>95</b>	<b>104</b>	<b>99</b>	<b>101</b>	<b>121</b>	<b>109</b>	-		
					-0.82	12.0	-0.81	4.6	10.0	18.4	117	-47	10.5	19	27	4.85		
			FUZ 040064	24.09.18	26	199	104			102	-							35.5
48 B	FUZ BONSMARAS	FUZ 180166	FUZ 150131	PW365	<b>96</b>	<b>93</b>	<b>96</b>	<b>94</b>	<b>91</b>	<b>90</b>	<b>92</b>	<b>99</b>	<b>87</b>	<b>90</b>	<b>91</b>	-		
					1.40	10.2	-0.02	2.3	0.0	15.0	60	-48	-0.9	-7	2	7.92		
			FUZ 130178	08.11.18	37	251	94			101	-							-
48 C	FUZ BONSMARAS	FUZ 180098	JFE 140097	PW365	<b>95</b>	<b>108</b>	<b>105</b>	<b>103</b>	<b>97</b>	<b>105</b>	<b>98</b>	<b>95</b>	<b>91</b>	<b>101</b>	<b>105</b>	-		
					1.52	17.2	-0.44	4.7	7.0	25.6	89	-38	2.8	2	21	7.66		
			FUZ 150078	23.10.18	32	210	107			106	-							44.1


**Lot 47A**

<p><b>FUZ 180096</b> SPN Mat. 93</p>	<p><b>JFE 140097</b> SPN Mat. 107</p> 	<p><b>FCT 080102</b> SPN Mat. 122</p>  <p>Elite-Bronze</p> <p><b>JFE 110021</b></p>	<p><b>FCT 050041</b> SPN Mat. 96</p> <p><b>FCT 050164</b> SPN Mat. 152</p> <p><b>CEF 050400</b> SPN Mat. 81</p> <p><b>JPL 080087</b> SPN Mat. 100</p> <p><b>CEW 080056</b> SPN Mat. 54</p> <p><b>FUZ 080042</b> SPN Mat. 98</p> <p><b>EI 010200</b> SPN Mat. 103</p> <p><b>FUZ 020034</b> SPN Mat. 81</p>
<p>AFC 24      SPN Mat. 82</p> <p>ICP 366      Age/Calv. 4/3</p> <p>RI 121      Avg. Wl/Calf 101/2</p>	<p><b>FUZ 150088</b></p>	<p>AFC 31      SPN Mat. 98</p> <p>ICP 380      Age/Calv. 13/11</p> <p>Avg. Wl/Calf 101/11</p>	


**Lot 47B**

<p><b>FUZ 180214</b> SPN Mat. 84</p>	<p><b>FUZ 150131</b> SPN Mat. 96</p> 	<p><b>FUZ 120061</b> SPN Mat. 92</p> <p>Elite-Gold</p> <p><b>FUZ 080052</b></p>	<p><b>FUZ 090081</b> SPN Mat. 89</p> <p><b>FUZ 050040</b> SPN Mat. 93</p> <p><b>HJB 030038</b> SPN Mat. 99</p> <p><b>FUZ 040080</b> SPN Mat. 92</p> <p><b>AG 040288</b> SPN Mat. 77</p> <p><b>CEW 050073</b> SPN Mat. 57</p> <p><b>FUZ 930143</b> SPN Mat. 125</p> <p><b>FUZ 0345</b> SPN Mat. 111</p>
<p>AFC 33      SPN Mat. 72</p> <p>ICP 396      Age/Calv. 6/4</p> <p>RI 105      Avg. Wl/Calf 93/4</p>	<p><b>FUZ 120186</b></p>	<p>AFC 36      SPN Mat. 116</p> <p>ICP 373      Age/Calv. 13/11</p> <p>Avg. Wl/Calf 105/11</p>	


**Lot 47C**

<p><b>FUZ 180062</b> SPN Mat. 71</p>	<p><b>FUZ 150019</b> SPN Mat. 94</p> 	<p><b>FUZ 120077</b> SPN Mat. 113</p> <p>Elite-Gold</p> <p><b>FUZ 120108</b></p>	<p><b>LMR 080104 Pp(c)</b> SPN Mat. 108</p> <p><b>FUZ 060070</b> SPN Mat. 98</p> <p><b>AG 020263</b> SPN Mat. 67</p> <p><b>FUZ 080106</b> SPN Mat. 105</p> <p><b>PER 010038</b> SPN Mat. 60</p> <p><b>LPS 990032</b> SPN Mat. 89</p> <p><b>EI 010200</b> SPN Mat. 103</p> <p><b>FUZ 030070</b> SPN Mat. 73</p>
<p>AFC 37      SPN Mat. 49</p> <p>ICP 365      Age/Calv. 9/7</p> <p>RI 108      Avg. Wl/Calf 91/7</p>	<p><b>FUZ 100014</b></p>	<p>AFC 35      SPN Mat. 67</p> <p>ICP 398      Age/Calv. 5/3</p> <p>Avg. Wl/Calf 87/3</p>	


**Lot 48A**

<p><b>FUZ 180018</b> SPN Mat. 102</p>	<p><b>ABB 120321</b> SPN Mat. 96</p> 	<p><b>JPL 040065</b> SPN Mat. 119</p> <p>Elite-Gold</p> <p><b>JJC 050042</b></p>	<p><b>VOG 010001</b> SPN Mat. 113</p> <p><b>VOG 020001</b> SPN Mat. 97</p> <p><b>WVZ 980025</b> SPN Mat. 102</p> <p><b>JJC 960092</b> SPN Mat. 101</p> <p><b>RCO 950179</b> SPN Mat. 123</p> <p><b>DV 970028</b> SPN Mat. 87</p> <p><b>AG 940196</b> SPN Mat. 87</p> <p><b>LDW 900160</b> SPN Mat. 91</p>
<p>AFC 35      SPN Mat. 116</p> <p>ICP 366      Age/Calv. 15/13</p> <p>RI 112      Avg. Wl/Calf 101/13</p>	<p><b>FUZ 040064</b></p>	<p>AFC 35      SPN Mat. 91</p> <p>ICP 369      Age/Calv. 13/11</p> <p>Avg. Wl/Calf 100/11</p>	

**Lot 48B**

<p><b>FUZ 180166</b> SPN Mat. 94</p>	<p><b>FUZ 150131</b> SPN Mat. 96</p> 	<p><b>FUZ 120061</b> SPN Mat. 92</p> <p>Elite-Bronze</p> <p><b>FUZ 080052</b></p>	<p><b>FUZ 090081</b> SPN Mat. 89</p> <p><b>FUZ 050040</b> SPN Mat. 93</p> <p><b>HJB 030038</b> SPN Mat. 99</p> <p><b>FUZ 040080</b> SPN Mat. 92</p> <p><b>AG 980338</b> SPN Mat. 87</p> <p><b>AG N 0045</b> SPN Mat. 104</p> <p><b>HJB 020223</b> SPN Mat. 91</p> <p><b>FUZ 020070</b> SPN Mat. 103</p>
<p>AFC 34      SPN Mat. 92</p> <p>ICP 395      Age/Calv. 5/3</p> <p>RI 103      Avg. Wl/Calf 102/3</p>	<p><b>FUZ 130178</b></p>	<p>AFC 34      SPN Mat. 108</p> <p>ICP 381      Age/Calv. 8/6</p> <p>Avg. Wl/Calf 104/5</p>	

**Lot 48C**

<p><b>FUZ 180098</b> SPN Mat. 103</p>	<p><b>JFE 140097</b> SPN Mat. 107</p> 	<p><b>FCT 080102</b> SPN Mat. 122</p> <p>Elite-Bronze</p> <p><b>JFE 110021</b></p>	<p><b>FCT 050041</b> SPN Mat. 96</p> <p><b>FCT 050164</b> SPN Mat. 152</p> <p><b>CEF 050400</b> SPN Mat. 81</p> <p><b>JPL 080087</b> SPN Mat. 100</p> <p><b>LMR 080104 Pp(c)</b> SPN Mat. 108</p> <p><b>FUZ 060070</b> SPN Mat. 98</p> <p><b>CEW 080056</b> SPN Mat. 54</p> <p><b>FUZ 040014</b> SPN Mat. 90</p>
<p>AFC 24      SPN Mat. 100</p> <p>ICP 366      Age/Calv. 3/2</p> <p>RI 123      Avg. Wl/Calf 103/2</p>	<p><b>FUZ 150078</b></p>	<p>AFC 35      SPN Mat. 83</p> <p>ICP 366      Age/Calv. 8/6</p> <p>Avg. Wl/Calf 102/5</p>	

## VROULIKE DIERE

Lot	Verkoper	ID	POENA	Gen	OUERS		Toets	Teelwaarde indekse										LHV	GGV	SGV	Gebruiker Eie Opmerkings				
					VADER	MOEDER		Genomies Getoets	Geb Dir	Speen Dir		Geb Mat	Speen Mat	Volwas Gew	Naspeen		GDT					VOV	SO	Hgt	Lgt
					GV	OV				DNS	Akk				Akk	Akk									


### Dragtige Verse

48 D	FUZ BONSMARAS	FUZ 180124	FUZ 150131	NS365	<b>92</b>	<b>88</b>	<b>109</b>	<b>111</b>	<b>99</b>	<b>89</b>	<b>96</b>	<b>97</b>	<b>87</b>	<b>101</b>	<b>94</b>	-	6.03
			FUZ 100030		1.85 76	7.8 71	-0.59 49	6.9 52	9.0 37	14.2 56	81 45	-42 15	-0.7 49	2 50	6 48		
		SP		31.10.18	35	255	<b>96</b>			111	-					-	
49 A	FUZ BONSMARAS	FUZ 180136	FUZ 150131	NS365	<b>95</b>	<b>113</b>	<b>101</b>	<b>104</b>	<b>103</b>	<b>102</b>	<b>104</b>	<b>104</b>	<b>96</b>	<b>105</b>	<b>107</b>	-	7.31
			FUZ 140018		1.53 75	19.4 70	-0.25 45	5.0 47	13.0 39	23.4 56	117 46	-58 15	6.5 50	6 51	24 49		
		SP		02.11.18	37	218	<b>108</b>			97	-					41.9	
49 B	FUZ BONSMARAS	FUZ 180070	FUZ 150085	NS365	<b>93</b>	<b>102</b>	<b>115</b>	<b>86</b>	<b>102</b>	<b>97</b>	<b>101</b>	<b>103</b>	<b>102</b>	<b>96</b>	<b>97</b>	-	7.22
			FUZ 120124		1.81 78	14.4 71	-0.89 50	0.0 52	12.0 42	20.0 57	100 47	-57 27	11.6 50	-2 50	10 49		
		SP		10.10.18	35	208	<b>104</b>			103	-					38	
49 C	FUZ BONSMARAS	FUZ 180196	FUZ 150019	NS540	<b>81</b>	<b>109</b>	<b>107</b>	<b>99</b>	<b>99</b>	<b>104</b>	<b>104</b>	<b>100</b>	<b>115</b>	<b>100</b>	<b>104</b>	-	8.6
			FUZ 080030		3.07 77	17.7 73	-0.51 51	3.5 53	9.0 40	24.9 59	117 51	-50 20	22.3 56	1 56	20 55		
		SP		22.11.18	43	261	<b>107</b>			-	102					45.6	
49 D	FUZ BONSMARAS	FUZ 180164	JFE 140097	NS365	<b>83</b>	<b>112</b>	<b>92</b>	<b>103</b>	<b>97</b>	<b>111</b>	<b>99</b>	<b>96</b>	<b>89</b>	<b>103</b>	<b>105</b>	-	10.15
			FUZ 150092		2.77 76	19.3 70	0.18 46	4.7 48	7.0 38	30.0 53	92 46	-42 20	1.2 50	4 50	21 49		
		SP		07.11.18	41	197	<b>99</b>			115	-					-	
49 E	FUZ BONSMARAS	FUZ 180060	ABB 120321	NS365	<b>101</b>	<b>106</b>	<b>104</b>	<b>113</b>	<b>116</b>	<b>102</b>	<b>106</b>	<b>99</b>	<b>103</b>	<b>128</b>	<b>120</b>	-	6.62
			FUZ 090154		0.88 77	16.3 73	-0.38 55	7.5 57	28.0 44	23.4 60	127 53	-47 30	12.4 56	24 57	43 56		
		SP		10.10.18	35	225	<b>114</b>			107	-					36.9	

**Lot 48D**

**FUZ 180124**  
SPN Mat. 111

**FUZ 150131**  
SPN Mat. 96



**FUZ 100030**  
OEK 35 SPN Mat. 121  
TKP 368 Oud/Kalw. 9/7  
RI 109 Gem. SI/Kalf 104/7

**FUZ 120061**  
SPN Mat. 92

**FUZ 080052**  
OEK 35 SPN Mat. 102  
TKP 368 Oud/Kalw. 12/10  
Gem. SI/Kalf 101/9

**DDJ 040034**  
SPN Mat. 129

**FUZ 040030**  
OEK 36 SPN Mat. 110  
TKP 370 Oud/Kalw. 15/13  
Gem. SI/Kalf 97/13

**FUZ 090081**  
SPN Mat. 89

**FUZ 050040**  
SPN Mat. 93

**HJB 030038**  
SPN Mat. 99

**FUZ 040080**  
SPN Mat. 92

**BFB 000032**  
SPN Mat. 107

**JH 940027**  
SPN Mat. 124


**DV 990310**  
SPN Mat. 115

**FUZ 970066**  
SPN Mat. 102

**Lot 49A**

**FUZ 180136**  
SPN Mat. 104

**FUZ 150131**  
SPN Mat. 96



**FUZ 140018**  
OEK 36 SPN Mat. 112  
TKP 425 Oud/Kalw. 6/4  
RI 97 Gem. SI/Kalf 109/3

**FUZ 120061**  
SPN Mat. 92

**FUZ 080052**  
OEK 35 SPN Mat. 102  
TKP 368 Oud/Kalw. 12/10  
Gem. SI/Kalf 101/9

**VV 080374**  
SPN Mat. 101

**FUZ 110032**  
OEK 36 SPN Mat. 106  
TKP Oud/Kalw. 3/1  
Gem. SI/Kalf 117/1

**FUZ 090081**  
SPN Mat. 89

**FUZ 050040**  
SPN Mat. 93

**HJB 030038**  
SPN Mat. 99

**FUZ 040080**  
SPN Mat. 92

**VV 050036**  
SPN Mat. 86

**VV 020096**  
SPN Mat. 99


**HJB 020223**  
SPN Mat. 91

**FUZ 080078**  
SPN Mat. 90

**Lot 49B**

**FUZ 180070**  
SPN Mat. 86

**FUZ 150085**  
SPN Mat. 86



**FUZ 120124**  
OEK 34 SPN Mat. 88  
TKP 387 Oud/Kalw. 8/6  
RI 107 Gem. SI/Kalf 99/5

**LPS 060117**  
SPN Mat. 70  
Goud

**FUZ 060140**  
OEK 28 SPN Mat. 103  
TKP 387 Oud/Kalw. 13/11  
Gem. SI/Kalf 106/11

**AG 020263**  
SPN Mat. 67

**FUZ 080072**  
OEK 35 SPN Mat. 104  
TKP 370 Oud/Kalw. 7/5  
Gem. SI/Kalf 104/4

**PER 010038**  
SPN Mat. 60

**LPS 990032**  
SPN Mat. 89

**RCO 980045**  
SPN Mat. 58

**FUZ 030112**  
SPN Mat. 125

**AG 980338**  
SPN Mat. 87

**AG N 0045**  
SPN Mat. 104


**EI 010200**  
SPN Mat. 103

**FUZ 020042**  
SPN Mat. 89

**Lot 49C**

**FUZ 180196**  
SPN Mat. 99

**FUZ 150019**  
SPN Mat. 94



**FUZ 080030**  
OEK 35 SPN Mat. 103  
TKP 373 Oud/Kalw. 11/9  
RI 109 Gem. SI/Kalf 100/9

**FUZ 120077**  
SPN Mat. 113

**FUZ 120108**  
OEK 34 SPN Mat. 85  
TKP 383 Oud/Kalw. 8/6  
Gem. SI/Kalf 99/5

**HJB 030038**  
SPN Mat. 99

**FUZ 030094**  
OEK 34 SPN Mat. 118  
TKP 369 Oud/Kalw. 10/8  
Gem. SI/Kalf 107/8

**LMR 080104 Pp(c)**  
SPN Mat. 108

**FUZ 060070**  
SPN Mat. 98

**AG 020263**  
SPN Mat. 67

**FUZ 080106**  
SPN Mat. 105

**LAR 960024**  
SPN Mat. 84

**LA 970014**  
SPN Mat. 95


**DV 990310**  
SPN Mat. 115

**FUZ 960114**  
SPN Mat. 100

**Lot 49D**

**FUZ 180164**  
SPN Mat. 103

**JFE 140097**  
SPN Mat. 107



**FUZ 150092**  
OEK 24 SPN Mat. 92  
TKP 394 Oud/Kalw. 4/3  
RI 119 Gem. SI/Kalf 98/2

**FCT 080102**  
SPN Mat. 122

**JFE 110021**  
OEK 28 SPN Mat. 91  
TKP 376 Oud/Kalw. 8/7  
Gem. SI/Kalf 100/7

**FUZ 120061**  
SPN Mat. 92

**FUZ 100130**  
OEK 33 SPN Mat. 101  
TKP 396 Oud/Kalw. 6/4  
Gem. SI/Kalf 100/3

**FCT 050041**  
SPN Mat. 96

**FCT 050164**  
SPN Mat. 152

**CEF 050400**  
SPN Mat. 81

**JPL 080087**  
SPN Mat. 100

**FUZ 090081**  
SPN Mat. 89

**FUZ 050040**  
SPN Mat. 93


**HJB 020223**  
SPN Mat. 91

**FUZ 020100**  
SPN Mat. 117

**Lot 49E**

**FUZ 180060**  
SPN Mat. 113

**ABB 120321**  
SPN Mat. 96



**FUZ 090154**  
OEK 33 SPN Mat. 134  
TKP 372 Oud/Kalw. 9/7  
RI 111 Gem. SI/Kalf 109/7

**JPL 040065**  
SPN Mat. 119

**JJC 050042**  
OEK 36 SPN Mat. 107  
TKP 423 Oud/Kalw. 10/7  
Gem. SI/Kalf 111/8

**EI 010200**  
SPN Mat. 103

**Elite-Silwer**

**FUZ 030122**  
OEK 34 SPN Mat. 147  
TKP 369 Oud/Kalw. 12/10  
Gem. SI/Kalf 113/10

**VOG 010001**  
SPN Mat. 113

**VOG 020001**  
SPN Mat. 97

**WVZ 980025**  
SPN Mat. 102

**JJC 960092**  
SPN Mat. 101

**EI 980080**  
SPN Mat. 88

**EI 950117**  
SPN Mat. 109

**FUZ 930143**  
SPN Mat. 125

**FUZ 990102**  
SPN Mat. 115

## FEMALE ANIMALS

Lot	Seller	ID	PARENTS	Test	Breeding Value Indexes											LHR	BWR	WWR	Breeder Own Remarks		
					DIRECT CALF TRAITS		DAUGHTER TRAITS			GROWTH		EFF.	REP	MEASURE-MENTS						R:	
					Progeny Birth Weight	Progeny Wean Weight	Ease of Calving	Milk prod.	Mature Weight	Post Wean Weight	Daily Gain	Feed Conv			Height & Length						
SIRE	GV	PV	Genomic Tested	Birth Dir	Wean Dir	Birth Mat	Wean Mat	Mat Wgt	Post Wean	ADG	FCR	SC	Hgt	Lgt							
DAM	GV	PV	DNA	Acc	Acc	Acc	Acc	Acc	Acc	Acc	Acc	Acc	Acc	Acc	Acc						
Gen			Birth Date	Wgt kg	Wgt kg	Ind	kg	kg	kg	365d Ind	540d Ind	Ind	Ind	(mm)	(mm)	(mm)					


## Pregnant Heifers

50 A	FUZ BONSMARAS	FUZ 180046	FUZ 150131	PW365	<b>85</b>	<b>100</b>	<b>99</b>	<b>96</b>	<b>105</b>	<b>96</b>	<b>101</b>	<b>104</b>	<b>91</b>	<b>97</b>	<b>98</b>	-		
					2.58	13.4	-0.17	2.8	16.0	19.3	103	-58	2.8	-1	12	7.57		
			FUZ 110096	06.10.18	37	212	105		110	-						37.3		
50 B	FUZ BONSMARAS	FUZ 180194	FUZ 150131	PW540	<b>98</b>	<b>103</b>	<b>103</b>	<b>85</b>	<b>106</b>	<b>95</b>	<b>97</b>	<b>101</b>	<b>94</b>	<b>95</b>	<b>96</b>	-		
					1.22	15.1	-0.33	-0.4	17.0	18.4	84	-52	4.8	-3	9	6.53		
			FUZ 130020	21.11.18	36	235	98		-	90						37.8		
50 C	FUZ BONSMARAS	FUZ 180030	FUZ 150131	PW365	<b>105</b>	<b>89</b>	<b>99</b>	<b>103</b>	<b>107</b>	<b>91</b>	<b>98</b>	<b>97</b>	<b>90</b>	<b>100</b>	<b>98</b>	-		
					0.47	8.5	-0.16	4.7	18.0	15.3	88	-43	1.9	1	12	6.72		
			FUZ 120156	01.10.18	35	188	92		96	-						33.3		
51 A	FUZ BONSMARAS	FUZ 180112	MC 120238	PW365	<b>66</b>	<b>111</b>	<b>115</b>	<b>95</b>	<b>104</b>	<b>103</b>	<b>98</b>	<b>99</b>	<b>98</b>	<b>100</b>	<b>103</b>	-		
					4.62	18.6	-0.86	2.5	14.0	24.1	88	-47	8.1	1	19	7.68		
			FUZ 120190	26.10.18	41	204	98		93	-						-		
51 B	FUZ BONSMARAS	FUZ 180174	FUZ 150089	PW365	<b>88</b>	<b>105</b>	<b>84</b>	<b>86</b>	<b>102</b>	<b>105</b>	<b>101</b>	<b>102</b>	<b>101</b>	<b>103</b>	<b>103</b>	-		
					2.28	15.9	0.56	-0.1	12.0	25.8	104	-53	10.6	3	18	6.9		
			FUZ 130184	11.11.18	37	188	96		101	-						-		
51 C	FUZ BONSMARAS	FUZ 180006	FUZ 150063	PW365	<b>98</b>	<b>114</b>	<b>95</b>	<b>97</b>	<b>110</b>	<b>110</b>	<b>112</b>	<b>108</b>	<b>104</b>	<b>105</b>	<b>109</b>	-		
					1.21	20.0	0.05	3.0	21.0	29.0	153	-67	12.9	5	26	8.03		
			FUZ 160014	13.09.18	33	249	107		97	-						55		

**Lot 50A**

**FUZ 180046**  
SPN Mat. 96

**FUZ 150131**  
SPN Mat. 96



**FUZ 110096**

AFC 25 SPN Mat. 98  
 ICP 369 Age/Calv. 9/8  
 RI 117 Avg. WI/Calf 97/6

AFC 35 SPN Mat. 102  
 ICP 368 Age/Calv. 12/10  
 Avg. WI/Calf 101/9

**FUZ 120061**  
SPN Mat. 92

**FUZ 080052**

AFC 35 SPN Mat. 102  
 ICP 368 Age/Calv. 12/10  
 Avg. WI/Calf 101/9

**AG 020263**  
SPN Mat. 67

**FUZ 980080**


AFC 34 SPN Mat. 127  
 ICP 370 Age/Calv. 13/11  
 Avg. WI/Calf 104/11

SPN Mat. 89  
**FUZ 090081**  
**FUZ 050040**  
 SPN Mat. 93  
**HJB 030038**  
 SPN Mat. 99  
**FUZ 040080**  
 SPN Mat. 92  
**AG 980338**  
 SPN Mat. 87  
**AG N 0045**  
 SPN Mat. 104  
**LDW 920204**  
 SPN Mat. 91  
**FUZ 920114**  
 SPN Mat. 133

**Lot 50B**

**FUZ 180194**  
SPN Mat. 85

**FUZ 150131**  
SPN Mat. 96



**FUZ 130020**

AFC 36 SPN Mat. 76  
 ICP 388 Age/Calv. 7/5  
 RI 103 Avg. WI/Calf 97/4

AFC 35 SPN Mat. 102  
 ICP 368 Age/Calv. 12/10  
 Avg. WI/Calf 101/9

**FUZ 120061**  
SPN Mat. 92

**FUZ 080052**

AFC 35 SPN Mat. 102  
 ICP 368 Age/Calv. 12/10  
 Avg. WI/Calf 101/9

**VV 080374**  
SPN Mat. 101

**FUZ 100114**


AFC 34 SPN Mat. 81  
 ICP Age/Calv. 3/1  
 Avg. WI/Calf 106/1

SPN Mat. 89  
**FUZ 090081**  
**FUZ 050040**  
 SPN Mat. 93  
**HJB 030038**  
 SPN Mat. 99  
**FUZ 040080**  
 SPN Mat. 92  
**VV 050036**  
 SPN Mat. 86  
**VV 020096**  
 SPN Mat. 99  
**AG 020263**  
 SPN Mat. 67  
**FUZ 040060**  
 SPN Mat. 93

**Lot 50C**

**FUZ 180030**  
SPN Mat. 103

**FUZ 150131**  
SPN Mat. 96



**FUZ 120156**

AFC 33 SPN Mat. 106  
 ICP 372 Age/Calv. 7/5  
 RI 109 Avg. WI/Calf 97/4

AFC 35 SPN Mat. 102  
 ICP 368 Age/Calv. 12/10  
 Avg. WI/Calf 101/9

**FUZ 120061**  
SPN Mat. 92

**FUZ 080052**

AFC 35 SPN Mat. 102  
 ICP 368 Age/Calv. 12/10  
 Avg. WI/Calf 101/9

**LMR 080104 Pp(c)**  
SPN Mat. 108

Elite-Gold

**FUZ 980124**


AFC 34 SPN Mat. 115  
 ICP 372 Age/Calv. 14/12  
 Avg. WI/Calf 103/12

SPN Mat. 89  
**FUZ 090081**  
**FUZ 050040**  
 SPN Mat. 93  
**HJB 030038**  
 SPN Mat. 99  
**FUZ 040080**  
 SPN Mat. 92  
**LMR 020173**  
 SPN Mat. 115  
**LMR 020171**  
 SPN Mat. 112  
**FUZ 930143**  
 SPN Mat. 125  
**FUZ 0434**  
 SPN Mat. 104

**Lot 51A**

**FUZ 180112**  
SPN Mat. 95

**MC 120238**  
SPN Mat. 111



**FUZ 120190**

AFC 33 SPN Mat. 78  
 ICP 370 Age/Calv. 8/6  
 RI 110 Avg. WI/Calf 103/5

AFC 28 SPN Mat. 68  
 ICP 401 Age/Calv. 12/10  
 Avg. WI/Calf 96/9

**CEF 080025**  
SPN Mat. 126

**LMR 080159**

AFC 28 SPN Mat. 68  
 ICP 401 Age/Calv. 12/10  
 Avg. WI/Calf 96/9

**CEW 080056**  
SPN Mat. 54

**FUZ 080132**


AFC 34 SPN Mat. 80  
 ICP 368 Age/Calv. 11/9  
 Avg. WI/Calf 97/9

SPN Mat. 121  
**AG 020251**  
**CEF 020146**  
 SPN Mat. 111  
**LMR 030096**  
 SPN Mat. 44  
**PMB 020084**  
 SPN Mat. 98  
**AG 040288**  
 SPN Mat. 77  
**CEW 050073**  
 SPN Mat. 57  
**EI 010200**  
 SPN Mat. 103  
**FUZ 040068**  
 SPN Mat. 65

**Lot 51B**

**FUZ 180174**  
SPN Mat. 86

**FUZ 150089**  
SPN Mat. 87



**FUZ 130184**

AFC 35 SPN Mat. 84  
 ICP 383 Age/Calv. 7/5  
 RI 106 Avg. WI/Calf 99/4

AFC 36 SPN Mat. 109  
 ICP 367 Age/Calv. 9/7  
 Avg. WI/Calf 103/7

**FUZ 120145**  
SPN Mat. 71

**FUZ 090060**

AFC 36 SPN Mat. 109  
 ICP 367 Age/Calv. 9/7  
 Avg. WI/Calf 103/7

**AG 020263**  
SPN Mat. 67

**FUZ 050024**


AFC 36 SPN Mat. 97  
 ICP 369 Age/Calv. 14/12  
 Avg. WI/Calf 99/12

SPN Mat. 54  
**CEW 080056**  
**FUZ 090028**  
 SPN Mat. 98  
**HJB 020223**  
 SPN Mat. 91  
**FUZ 000076**  
 SPN Mat. 120  
**AG 980338**  
 SPN Mat. 87  
**AG N 0045**  
 SPN Mat. 104  
**EI 010200**  
 SPN Mat. 103  
**FUZ 020024**  
 SPN Mat. 93

**Lot 51C**

**FUZ 180006**  
SPN Mat. 97

**FUZ 150063**  
SPN Mat. 98



**FUZ 160014**

AFC 24 SPN Mat. 98  
 ICP 386 Age/Calv. 4/3  
 RI 119 Avg. WI/Calf 105/2

AFC 35 SPN Mat. 117  
 ICP 373 Age/Calv. 8/6  
 Avg. WI/Calf 105/5

**FUZ 090081**  
SPN Mat. 89

**FUZ 110068**

AFC 35 SPN Mat. 117  
 ICP 373 Age/Calv. 8/6  
 Avg. WI/Calf 105/5

**VV 080374**  
SPN Mat. 101

**FUZ 130142**

AFC 34 SPN Mat. 86  
 ICP 374 Age/Calv. 6/4  
 Avg. WI/Calf 100/3

SPN Mat. 67  
**AG 020263**  
**FUZ 050030**  
 SPN Mat. 108  
**AJ 080015**  
 SPN Mat. 101  
**FUZ 070092**  
 SPN Mat. 119  
**VV 050036**  
 SPN Mat. 86  
**VV 020096**  
 SPN Mat. 99  
**AG 020263**  
 SPN Mat. 67  
**FUZ 060046**  
 SPN Mat. 90

## VROULIKE DIERE

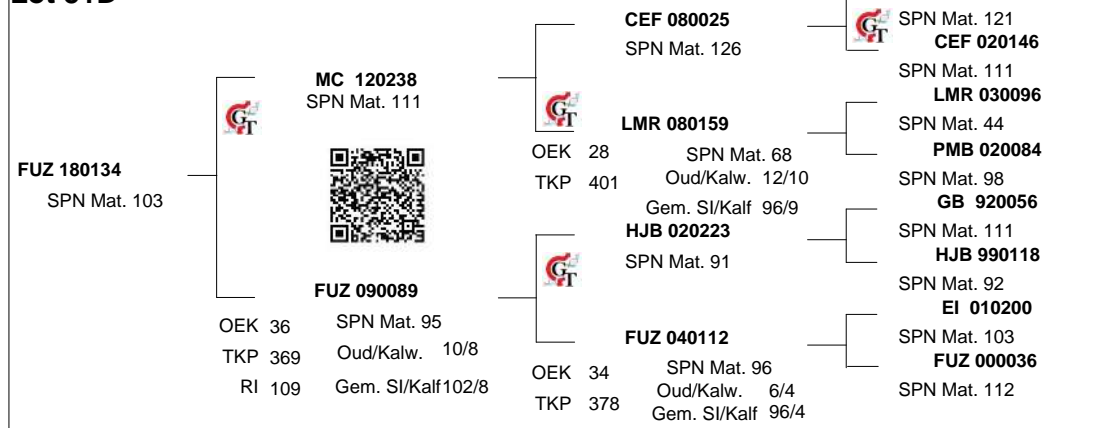
Lot	Verkoper	ID	OUERS	Toets	DIREKTE KALF EIENSKAPPE		DOGTER EIENSKAPPE			GROEI		DOEL	REP	MATES	V:	LHV	GGV	SGV				
					Nageslag Geboortegewig	Nageslag Speengewig	Gemak van Kalwing	Melk prod.	Volwasse Gewig	Naspeengewig	Daaglikse Toename								Voeromset	Hoogte & Lengte		
					Teelwaarde indekse																	
				Genomies Getoets	Geb Dir	Speen Dir	Geb Mat	Speen Mat	Volw Gew	Naspeen	GDT	VOV	SO	Hgt	Lgt	Gebruiker Eie Opmerkings						
				DNS	Akk	Akk	Akk	Akk	Akk	Akk	Akk	Akk	Akk	Akk	Akk	Akk	Akk	Akk				
				MOEDER GV OV	Geb. dat.	Gew kg	Gew kg	Ind	kg	kg	kg	365d Ind	540d Ind	Ind	Ind	(mm)	(mm)	(mm)				

### Dragtige Verse

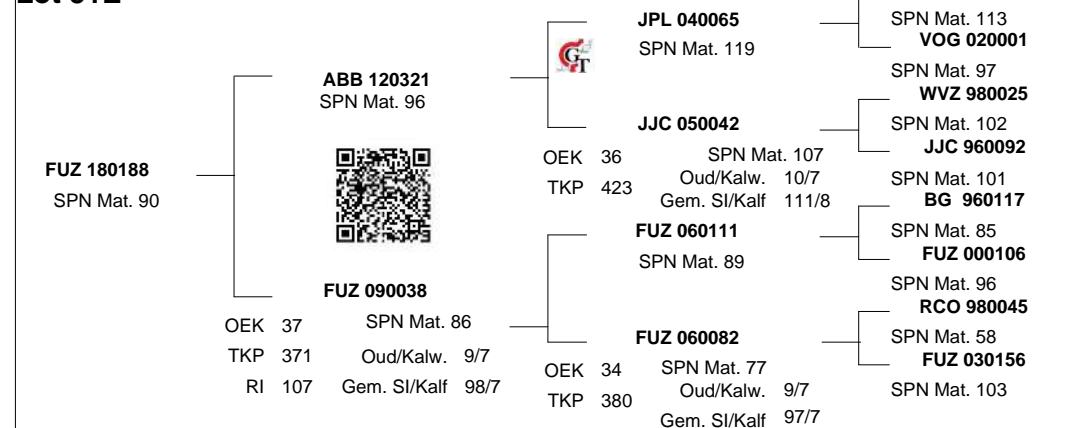
51 D	FUZ BONSMARAS	FUZ 180134	MC 120238	NS365	<b>81</b>	<b>100</b>	<b>93</b>	<b>103</b>	<b>92</b>	<b>95</b>	<b>90</b>	<b>92</b>	<b>90</b>	<b>91</b>	<b>98</b>	-		
					3.05	13.3	0.12	4.7	1.0	18.1	53	-32	1.8	-6	12	8.07		
			FUZ 090089	27.10.18	39	257	<b>96</b>			97	-							
51 E	FUZ BONSMARAS	FUZ 180188	ABB 120321	NS540	<b>121</b>	<b>94</b>	<b>109</b>	<b>90</b>	<b>103</b>	<b>90</b>	<b>93</b>	<b>94</b>	<b>101</b>	<b>108</b>	<b>101</b>	-		
					-1.15	10.9	-0.59	1.0	14.0	15.0	66	-37	10.8	8	15	6.47		
			FUZ 090038	21.11.18	33	234	<b>99</b>			-	93							



**Lot 51D**



**Lot 51E**



Lot	Seller	ID POLLED Gen	PARENTS		Test Genomic Tested DNA Birth Date	Breeding Value Indexes										LHR BWR WWR	Semen Users	Breeder Own Remarks				
			SIRE GV PV	DAM GV PV		Birth Dir		Wean Dir		Birth Mat	Wean Mat	Mat Wgt	Post Wean		ADG				FCR	SC	Hgt	Lgt
			Acc	Acc		kg	kg	kg	kg	kg	365d Ind	540d Ind	Ind	Ind	(mm)				(mm)	(mm)		


## BULLS

54	FUZ BONSMARAS	FUZ 190005 SP	FUZ 160065 FUZ 170084	GT	<b>135</b>	<b>86</b>	<b>95</b>	<b>93</b>	<b>91</b>	<b>78</b>	<b>87</b>	<b>93</b>	<b>98</b>	<b>67</b>	<b>86</b>	1.22			
					-2.63	6.8	0.02	2.1	0.0	6.1	37	-34	8.0	-26	-5	6.39			
				26.08.19	74	66	41	42	33	48	63	16	72	74	70				
					25	229	<b>102</b>				-	<b>92</b>	-	365	1057	1294	52.4		
55	FUZ BONSMARAS	FUZ 190031 SP	FUZ 160101 FUZ 170072	GT	<b>115</b>	<b>103</b>	<b>111</b>	<b>93</b>	<b>101</b>	<b>102</b>	<b>100</b>	<b>98</b>	<b>102</b>	<b>104</b>	<b>109</b>	1.2			
					-0.61	15.1	-0.71	2.0	11.0	23.2	99	-45	11.7	4	26	8.2			
				19.09.19	74	68	43	46	41	53	63	25	72	74	71				
					31	244	<b>106</b>				-	<b>91</b>	-	356	1127	1357	58.2		
56	FUZ BONSMARAS	FUZ 190111 SP	FUZ 160101 FUZ 170036	GT	<b>99</b>	<b>117</b>	<b>107</b>	<b>100</b>	<b>111</b>	<b>112</b>	<b>109</b>	<b>107</b>	<b>113</b>	<b>106</b>	<b>112</b>	1.18			
					1.13	21.3	-0.52	3.9	22.0	30.7	140	-65	20.2	7	31	8.06			
				21.10.19	74	68	40	44	37	52	63	20	72	73	70				
					34	264	<b>115</b>				-	<b>110</b>	-	382	1122	1321	56.1		
57	FUZ BONSMARAS	FUZ 190165 SP	LMR 130374 FUZ 100084	GT	<b>105</b>	<b>104</b>	<b>98</b>	<b>114</b>	<b>114</b>	<b>107</b>	<b>107</b>	<b>109</b>	<b>94</b>	<b>95</b>	<b>97</b>	1.16			
					0.53	15.6	-0.10	7.8	26.0	27.2	129	-69	4.9	-3	10	5.39			
				08.11.19	77	71	53	56	42	59	66	26	74	75	72				
					34	258	<b>112</b>				-	<b>123</b>	-	350	1120	1301	40.1		
58	FUZ BONSMARAS	FUZ 190048 SP	AG 150747 FUZ 100082	GT	<b>81</b>	<b>99</b>	<b>110</b>	<b>110</b>	<b>103</b>	<b>106</b>	<b>95</b>	<b>97</b>	<b>114</b>	<b>91</b>	<b>97</b>	1.19			
					3.02	13.2	-0.67	6.8	14.0	26.0	72	-44	21.5	-7	10	7.98			
				30.09.19	76	70	52	53	42	58	61	24	71	72	69				
					40	242	<b>100</b>				-	<b>97</b>	-	382	1132	1343	43.5		
59	FUZ BONSMARAS	FUZ 190051 SP	LMR 130374 FUZ 100092	GT	<b>93</b>	<b>125</b>	<b>112</b>	<b>97</b>	<b>109</b>	<b>120</b>	<b>109</b>	<b>107</b>	<b>99</b>	<b>103</b>	<b>109</b>	1.21			
					1.79	24.9	-0.73	3.1	19.0	36.1	137	-65	8.6	3	28	7.75			
				02.10.19	77	72	53	55	41	60	66	28	74	75	72				
					42	279	<b>113</b>				-	<b>101</b>	-	337	1163	1404	47		

**Lot 54**

**FUZ 190005**  
SPN Mat. 93

**FUZ 160065**  
SPN Mat. 93



**FUZ 170084**  
SPN Mat. 100  
Age/Calv. 3/2  
Avg. Wl/Calf 102/1

AFC 23  
ICP 439  
RI 121

**FUZ 130029**  
SPN Mat. 86

**FUZ 080036**  
SPN Mat. 109  
Age/Calv. 12/10  
Avg. Wl/Calf 104/9

AFC 35  
ICP 379

**FUZ 140025**  
SPN Mat. 87

**FUZ 130182**  
SPN Mat. 107  
Age/Calv. 7/5  
Avg. Wl/Calf 100/5

AFC 33  
ICP 375

**VV 080374**  
SPN Mat. 101

**FUZ 100016**  
SPN Mat. 80

**HJB 030038**  
SPN Mat. 99

**FUZ 020054**  
SPN Mat. 95

**VV 080374**  
SPN Mat. 101

**FUZ 110020**  
SPN Mat. 92


**AG 020263**  
SPN Mat. 67

**FUZ 030122**  
SPN Mat. 147

**Lot 55**

**FUZ 190031**  
SPN Mat. 93

**FUZ 160101**  
SPN Mat. 101



**FUZ 170072**  
SPN Mat. 90  
Age/Calv. 2/1  
Avg. Wl/Calf 106/1

AFC 24  
ICP  
RI 128

**VV 080374**  
SPN Mat. 101

**FUZ 130180**  
SPN Mat. 104  
Age/Calv. 6/4  
Avg. Wl/Calf 99/4

AFC 33  
ICP 376

**LPS 060117**  
SPN Mat. 70  
Gold

**FUZ 130010**  
SPN Mat. 100  
Age/Calv. 5/3  
Avg. Wl/Calf 105/2

AFC 37  
ICP 375

**VV 050036**  
SPN Mat. 86

**VV 020096**  
SPN Mat. 99

**AG 020263**  
SPN Mat. 67

**FUZ 080026**  
SPN Mat. 145

**PER 010038**  
SPN Mat. 60

**LPS 990032**  
SPN Mat. 89


**HJB 020223**  
SPN Mat. 91

**FUZ 100050**  
SPN Mat. 105

**Lot 56**

**FUZ 190111**  
SPN Mat. 100

**FUZ 160101**  
SPN Mat. 101



**FUZ 170036**  
SPN Mat. 103  
Age/Calv. 2/1  
Avg. Wl/Calf 115/1

AFC 25  
ICP  
RI 123

**VV 080374**  
SPN Mat. 101

**FUZ 130180**  
SPN Mat. 104  
Age/Calv. 6/4  
Avg. Wl/Calf 99/4

AFC 33  
ICP 376

**LMR 130374**  
SPN Mat. 106

**FUZ 140166**  
SPN Mat. 84  
Age/Calv. 3/1  
Avg. Wl/Calf 99/1

AFC 34  
ICP

**VV 050036**  
SPN Mat. 86

**VV 020096**  
SPN Mat. 99

**AG 020263**  
SPN Mat. 67

**FUZ 080026**  
SPN Mat. 145

**AG 100008**  
SPN Mat. 94

**LMR 090221**  
SPN Mat. 101


**CEW 080056**  
SPN Mat. 54

**FUZ 030160**  
SPN Mat. 110

**Lot 57**

**FUZ 190165**  
SPN Mat. 114

**LMR 130374**  
SPN Mat. 106



**FUZ 100084**  
SPN Mat. 127  
Age/Calv. 9/7  
Avg. Wl/Calf 104/7

AFC 34  
ICP 375  
RI 109

**AG 100008**  
SPN Mat. 94

**LMR 090221**  
SPN Mat. 101  
Age/Calv. 10/7  
Avg. Wl/Calf 102/7

AFC 37  
ICP 428

**DDJ 040034**  
SPN Mat. 129

**Elite-Gold**

**FUZ 990012**  
SPN Mat. 116  
Age/Calv. 13/11  
Avg. Wl/Calf 105/11

AFC 36  
ICP 373

**AG 060481**  
SPN Mat. 89

**AG 970106**  
SPN Mat. 80

**LMR 060150**  
SPN Mat. 92

**LMR 060259**  
SPN Mat. 111

**BFB 000032**  
SPN Mat. 107

**JH 940027**  
SPN Mat. 124


**FUZ 930143**  
SPN Mat. 125

**FUZ 0345**  
SPN Mat. 111

**Lot 58**

**FUZ 190048**  
SPN Mat. 110

**AG 150747**  
SPN Mat. 94



**Elite-Silver**

**FUZ 100082**  
SPN Mat. 120  
Age/Calv. 10/8  
Avg. Wl/Calf 109/7

AFC 34  
ICP 375  
RI 109

**AG 110192**  
SPN Mat. 85

**AG 080156**  
SPN Mat. 91  
Age/Calv. 12/11  
Avg. Wl/Calf 101/8

AFC 25  
ICP 368

**EI 010200**  
SPN Mat. 103

**FUZ 060138**  
SPN Mat. 98  
Age/Calv. 4/2  
Avg. Wl/Calf 103/2

AFC 34  
ICP 379

**VV 070012**  
SPN Mat. 110

**AG 030031**  
SPN Mat. 88

**AG 020251**  
SPN Mat. 121

**AG 040285**  
SPN Mat. 70

**EI 980080**  
SPN Mat. 88

**EI 950117**  
SPN Mat. 109


**RCO 980045**  
SPN Mat. 58

**FUZ 030052**  
SPN Mat. 105

**Lot 59**

**FUZ 190051**  
SPN Mat. 97

**LMR 130374**  
SPN Mat. 106



**FUZ 100092**  
SPN Mat. 92  
Age/Calv. 9/7  
Avg. Wl/Calf 101/8

AFC 36  
ICP 362  
RI 110

**AG 100008**  
SPN Mat. 94

**LMR 090221**  
SPN Mat. 101  
Age/Calv. 10/7  
Avg. Wl/Calf 102/7

AFC 37  
ICP 428

**HJB 020223**  
SPN Mat. 91

**FUZ 030048**  
SPN Mat. 88  
Age/Calv. 7/5  
Avg. Wl/Calf 99/5

AFC 36  
ICP 373

**AG 060481**  
SPN Mat. 89

**AG 970106**  
SPN Mat. 80

**LMR 060150**  
SPN Mat. 92

**LMR 060259**  
SPN Mat. 111

**GB 920056**  
SPN Mat. 111

**HJB 990118**  
SPN Mat. 92

**FUZ 930143**  
SPN Mat. 125


**FUZ 990036**  
SPN Mat. 91

Lot	Verkoper	ID POENA Gen	OUERS VADER GV OV MOEDER GV OV	Toets Genomies Getoets DNS Geb. dat.	DIREKTE KALF EIENSKAPPE					DOGTER EIENSKAPPE			GROEI		DOEL	REP	MATES	V:	Semen Gebruikers	Gebruiker Eie Opmerkings
					Nageslag Geboorte- gewig	Nageslag Speengewig	Gemak van Kalwing	Melk prod.	Volwas- se Gewig	Naspeen- gewig	Daaglikse Toename	Voer- omset	Hoogte & Lengte							
Teelwaarde indekse																				
					Geb Dir	Speen Dir		Geb Mat	Speen Mat	Volw Gew	Naspeen	GDT	VOV	SO	Hgt	Lgt	LHV			
					Akk	Akk		Akk	Akk	Akk	Akk	Akk	Akk	Akk	Akk	Akk	GGV			
					Gew kg	Gew kg	Ind	kg	kg	kg	365d Ind	540d Ind	Ind	Ind	(mm)	(mm)	(mm)		SGV	


## BULLE

60	FUZ BONSMARAS	FUZ 190069	AG 140505	GT	<b>77</b>	<b>102</b>		<b>115</b>	<b>114</b>	<b>99</b>	<b>100</b>	<b>101</b>	<b>100</b>	<b>101</b>	<b>96</b>	<b>97</b>	1.15	
			FUZ 090076		3.42	14.6	-0.87	7.8	9.0	22.0	104	-49	10.2	-2	10	7.07		
			SP	05.10.19	40	247	99	-	109	-	354	1135	1306	42.3				
61	FUZ BONSMARAS	FUZ 190013	FUZ 160065	GT	<b>135</b>	<b>86</b>		<b>104</b>	<b>90</b>	<b>91</b>	<b>80</b>	<b>93</b>	<b>91</b>	<b>106</b>	<b>91</b>	<b>96</b>	1.19	
			FUZ 170044		-2.72	7.1	-0.39	1.0	0.0	7.4	66	-30	14.5	-6	9	6.68		
			SP	06.09.19	27	234	103	-	108	-	379	1131	1350	54.9				
62	FUZ BONSMARAS	FUZ 190015	FUZ 160007	GT	<b>102</b>	<b>124</b>		<b>96</b>	<b>104</b>	<b>114</b>	<b>124</b>	<b>125</b>	<b>116</b>	<b>116</b>	<b>107</b>	<b>115</b>	1.19	
			FUZ 170032		0.81	24.6	-0.01	4.9	25.0	39.1	215	-84	22.4	7	35	7.52		
			SP	09.09.19	34	258	112	-	116	-	350	1153	1371	52.7				
63	FUZ BONSMARAS	FUZ 190027	CEF 150536	GT	<b>102</b>	<b>118</b>		<b>108</b>	<b>95</b>	<b>98</b>	<b>112</b>	<b>114</b>	<b>109</b>	<b>107</b>	<b>109</b>	<b>109</b>	1.17	
			FUZ 170024		0.77	21.7	-0.58	2.4	8.0	30.8	165	-69	15.8	9	27	7.6		
			SP	17.09.19	32	244	106	-	104	-	361	1146	1336	53.7				
64	FUZ BONSMARAS	FUZ 190033	JFE 140097	GT	<b>94</b>	<b>100</b>		<b>109</b>	<b>102</b>	<b>101</b>	<b>98</b>	<b>96</b>	<b>95</b>	<b>84</b>	<b>102</b>	<b>102</b>	1.18	
			FUZ 080130		1.68	13.6	-0.59	4.4	11.0	20.4	77	-39	-2.9	2	17	6.25		
			SP	16.09.19	35	238	97	-	98	-	341	1136	1345	40.4				
65	FUZ BONSMARAS	FUZ 190085	FUZ 160065	GT	<b>133</b>	<b>83</b>		<b>90</b>	<b>100</b>	<b>93</b>	<b>76</b>	<b>91</b>	<b>91</b>	<b>100</b>	<b>97</b>	<b>97</b>	1.16	
			FUZ 170166		-2.42	5.4	0.27	4.0	2.0	4.5	57	-30	10.0	-1	10	7.8		
			SP	11.10.19	29	254	112	-	97	-	348	1157	1339	61.1				


### Lot 60

<p><b>FUZ 190069</b> SPN Mat. 114</p>	<p><b>AG 140505</b> SPN Mat. 103</p> 	<p><b>AG 110029</b> SPN Mat. 104</p> <p><b>AG 110622</b> SPN Mat. 101 Oud/Kalw. 8/6 Gem. SI/Kalf 105/6</p> <p><b>DDJ 040034</b> SPN Mat. 129</p> <p><b>FUZ 040070</b> SPN Mat. 109 Oud/Kalw. 7/5 Gem. SI/Kalf 106/5</p>	<p><b>LAR 060034</b> SPN Mat. 108 <b>AG 070420</b> SPN Mat. 89 <b>AG 060481</b> SPN Mat. 89 <b>AG 990523</b> SPN Mat. 93 <b>BFB 000032</b> SPN Mat. 107 <b>JH 940027</b> SPN Mat. 124 <b>EI 010200</b> SPN Mat. 103 <b>FUZ 960010</b> SPN Mat. 92</p>
<p>OEK 36 TKP 366 RI 110</p>	<p>OEK 35 TKP 370</p> <p>OEK 34 TKP 383</p>	<p>OEK 35 TKP 370</p> <p>OEK 34 TKP 383</p>	<p>SPN Mat. 108 SPN Mat. 89 SPN Mat. 89 SPN Mat. 93 SPN Mat. 107 SPN Mat. 124 SPN Mat. 103 SPN Mat. 92</p>


### Lot 61

<p><b>FUZ 190013</b> SPN Mat. 90</p>	<p><b>FUZ 160065</b> SPN Mat. 93</p> 	<p><b>FUZ 130029</b> SPN Mat. 86</p> <p><b>FUZ 080036</b> SPN Mat. 109 Oud/Kalw. 12/10 Gem. SI/Kalf 104/9</p> <p><b>FUZ 140025</b> SPN Mat. 87</p> <p><b>FUZ 110056</b> SPN Mat. 85 Oud/Kalw. 8/6 Gem. SI/Kalf 95/5</p>	<p><b>VV 080374</b> SPN Mat. 101 <b>FUZ 100016</b> SPN Mat. 80 <b>HJB 030038</b> SPN Mat. 99 <b>FUZ 020054</b> SPN Mat. 95 <b>VV 080374</b> SPN Mat. 101 <b>FUZ 110020</b> SPN Mat. 92 <b>EI 010200</b> SPN Mat. 103 <b>FUZ 990036</b> SPN Mat. 91</p>
<p>OEK 24 TKP 398 RI 122</p>	<p>OEK 35 TKP 379</p> <p>OEK 35 TKP 378</p>	<p>OEK 35 TKP 379</p> <p>OEK 35 TKP 378</p>	<p>SPN Mat. 86 SPN Mat. 109 SPN Mat. 87 SPN Mat. 85 SPN Mat. 91</p>


### Lot 62

<p><b>FUZ 190015</b> SPN Mat. 104</p>	<p><b>FUZ 160007</b> SPN Mat. 91</p> 	<p><b>FUZ 130051</b> SPN Mat. 88</p> <p><b>FUZ 130024</b> SPN Mat. 101 Oud/Kalw. 6/4 Gem. SI/Kalf 100/3</p> <p><b>LMR 130374</b> SPN Mat. 106</p> <p><b>FUZ 140034</b> SPN Mat. 112 Oud/Kalw. 3/1 Gem. SI/Kalf 111/1</p>	<p><b>HJB 020223</b> SPN Mat. 91 <b>FUZ 100128</b> SPN Mat. 86 <b>VV 080374</b> SPN Mat. 101 <b>FUZ 100078</b> SPN Mat. 97 <b>AG 100008</b> SPN Mat. 94 <b>LMR 090221</b> SPN Mat. 101 <b>DBP 100268</b> SPN Mat. 108 <b>FUZ 110042</b> SPN Mat. 98</p>
<p>OEK 24 TKP RI 127</p>	<p>OEK 35 TKP 381</p> <p>OEK 36 TKP</p>	<p>OEK 35 TKP 381</p> <p>OEK 36 TKP</p>	<p>SPN Mat. 88 SPN Mat. 101 SPN Mat. 106 SPN Mat. 112 SPN Mat. 98</p>


### Lot 63

<p><b>FUZ 190027</b> SPN Mat. 95</p>	<p><b>CEF 150536</b> SPN Mat. 97</p> 	<p><b>CEF 100304</b> SPN Mat. 99</p> <p><b>CEF 090242</b> SPN Mat. 100 Oud/Kalw. 9/7 Gem. SI/Kalf 108/6</p> <p><b>VV 080374</b> SPN Mat. 101</p> <p><b>FUZ 140106</b> SPN Mat. 82 Oud/Kalw. 4/2 Gem. SI/Kalf 104/2</p>	<p><b>CEF 080025</b> SPN Mat. 126 <b>CEF 070151</b> SPN Mat. 109 <b>CEF 060473</b> SPN Mat. 103 <b>CEF 070130</b> SPN Mat. 69 <b>VV 050036</b> SPN Mat. 86 <b>VV 020096</b> SPN Mat. 99 <b>CEW 080056</b> SPN Mat. 54 <b>FUZ 080018</b> SPN Mat. 105</p>
<p>OEK 25 TKP RI 125</p>	<p>OEK 29 TKP 391</p> <p>OEK 34 TKP 481</p>	<p>OEK 29 TKP 391</p> <p>OEK 34 TKP 481</p>	<p>SPN Mat. 99 SPN Mat. 100 SPN Mat. 101 SPN Mat. 82 SPN Mat. 105</p>

### Lot 64

<p><b>FUZ 190033</b> SPN Mat. 102</p>	<p><b>JFE 140097</b> SPN Mat. 107</p> 	<p><b>FCT 080102</b> SPN Mat. 122</p> <p>Elite-Brons</p> <p><b>JFE 110021</b> SPN Mat. 91 Oud/Kalw. 8/7 Gem. SI/Kalf 100/7</p> <p><b>EI 010200</b> SPN Mat. 103</p> <p><b>FUZ 030048</b> SPN Mat. 88 Oud/Kalw. 7/5 Gem. SI/Kalf 99/5</p>	<p><b>FCT 050041</b> SPN Mat. 96 <b>FCT 050164</b> SPN Mat. 152 <b>CEF 050400</b> SPN Mat. 81 <b>JPL 080087</b> SPN Mat. 100 <b>EI 980080</b> SPN Mat. 88 <b>EI 950117</b> SPN Mat. 109 <b>FUZ 930143</b> SPN Mat. 125 <b>FUZ 990036</b> SPN Mat. 91</p>
<p>OEK 33 TKP 366 RI 112</p>	<p>OEK 28 TKP 376</p> <p>OEK 36 TKP 373</p>	<p>OEK 28 TKP 376</p> <p>OEK 36 TKP 373</p>	<p>SPN Mat. 122 SPN Mat. 91 SPN Mat. 100 SPN Mat. 88 SPN Mat. 109 SPN Mat. 125 SPN Mat. 91</p>

### Lot 65

<p><b>FUZ 190085</b> SPN Mat. 100</p>	<p><b>FUZ 160065</b> SPN Mat. 93</p> 	<p><b>FUZ 130029</b> SPN Mat. 86</p> <p><b>FUZ 080036</b> SPN Mat. 109 Oud/Kalw. 12/10 Gem. SI/Kalf 104/9</p> <p><b>FUZ 140117</b> SPN Mat. 111</p> <p><b>FUZ 060110</b> SPN Mat. 100 Oud/Kalw. 13/11 Gem. SI/Kalf 100/11</p>	<p><b>VV 080374</b> SPN Mat. 101 <b>FUZ 100016</b> SPN Mat. 80 <b>HJB 030038</b> SPN Mat. 99 <b>FUZ 020054</b> SPN Mat. 95 <b>FUZ 110185</b> SPN Mat. 85 <b>FUZ 080026</b> SPN Mat. 145 <b>BG 960117</b> SPN Mat. 85 <b>FUZ 970158</b> SPN Mat. 97</p>
<p>OEK 23 TKP RI 129</p>	<p>OEK 35 TKP 379</p> <p>OEK 30 TKP 383</p>	<p>OEK 35 TKP 379</p> <p>OEK 30 TKP 383</p>	<p>SPN Mat. 86 SPN Mat. 109 SPN Mat. 111 SPN Mat. 100 SPN Mat. 97</p>

Lot	Seller	ID  POLLED  Gen	PARENTS		Test  Genomic Tested  DNA  Birth Date	Breeding Value Indexes										LHR BWR WWR	Semen Users	Breeder Own Remarks				
			SIRE GV PV	DAM GV PV		Birth Dir		Wean Dir		Birth Mat	Wean Mat	Mat Wgt	Post Wean		ADG				FCR	SC	Hgt	Lgt
			Acc	Acc		kg	kg	kg	kg	kg	365d Ind	540d Ind	Ind	Ind	(mm)				(mm)	(mm)		



## BULLS

66	FUZ BONSMARAS	FUZ 190093	CEF 150536	GT	<b>117</b>	<b>81</b>	<b>101</b>	<b>105</b>	<b>104</b>	<b>81</b>	<b>94</b>	<b>94</b>	<b>89</b>	<b>93</b>	<b>91</b>	1.14		
					-0.73	4.9	-0.25	5.4	14.0	8.5	67	-37	0.9	-4	2	6.67		
			FUZ 170156	17.10.19	27	217	<b>95</b>			-		<b>101</b>	-	338	1120	1282	44.8	
67	FUZ BONSMARAS	FUZ 190181	FUZ 160065	GT	<b>128</b>	<b>89</b>	<b>105</b>	<b>92</b>	<b>99</b>	<b>85</b>	<b>91</b>	<b>96</b>	<b>99</b>	<b>77</b>	<b>87</b>	1.17		
					-1.96	8.2	-0.42	1.7	9.0	11.2	55	-40	9.0	-18	-4	8.24		
			FUZ 170126	15.11.19	29	230	<b>102</b>			-		<b>94</b>	-	368	1084	1264	50.7	
68	FUZ BONSMARAS	FUZ 190187	FUZ 160007	GT	<b>136</b>	<b>96</b>	<b>117</b>	<b>91</b>	<b>105</b>	<b>95</b>	<b>97</b>	<b>101</b>	<b>108</b>	<b>85</b>	<b>90</b>	1.13		
					-2.77	11.7	-0.96	1.3	16.0	18.3	84	-52	16.6	-11	1	5.23		
			FUZ 170034	28.10.19	22	210	<b>95</b>			-		<b>106</b>	-	378	1086	1225	41.1	
69	FUZ BONSMARAS	FUZ 190189	MC 120238	GT	<b>79</b>	<b>96</b>	<b>113</b>	<b>110</b>	<b>102</b>	<b>95</b>	<b>99</b>	<b>95</b>	<b>101</b>	<b>109</b>	<b>107</b>	1.17		
					3.21	11.4	-0.79	6.7	12.0	18.6	91	-39	10.7	8	24	7.23		
			FUZ 040030	21.11.19	37	229	<b>96</b>			-		<b>101</b>	-	362	1146	1338	42.8	
70	FUZ BONSMARAS	FUZ 190047	GA 150348	GT	<b>102</b>	<b>102</b>	<b>109</b>	<b>109</b>	<b>103</b>	<b>101</b>	<b>108</b>	<b>101</b>	<b>103</b>	<b>117</b>	<b>109</b>	1.17		
					0.81	14.4	-0.62	6.4	14.0	22.5	133	-53	12.3	16	27	6.43		
			FUZ 040064	29.09.19	32	233	<b>96</b>			-		<b>102</b>	-	370	1152	1352	43.8	
72	FUZ BONSMARAS	FUZ 190197	GA 150348	GT	<b>102</b>	<b>106</b>	<b>105</b>	<b>106</b>	<b>103</b>	<b>102</b>	<b>109</b>	<b>102</b>	<b>93</b>	<b>142</b>	<b>123</b>	1.13		
					0.77	16.5	-0.43	5.6	13.0	23.6	142	-53	4.0	36	47	5.86		
			FUZ 040134	20.11.19	31	241	<b>105</b>			-		<b>102</b>	-	331	1206	1367	43	


Breed Average

1.02	13.5	-0.19	3.9	10	22	97	-50	9.8	1	14
------	------	-------	-----	----	----	----	-----	-----	---	----


**Lot 66**

FUZ 190093 SPN Mat. 105		CEF 150536 SPN Mat. 97  AFC 24    SPN Mat. 115 ICP 399    Age/Calv. 3/2 RI 122    Avg. WI/Calf 95/1	 CEF 100304 SPN Mat. 99  AFC 29    SPN Mat. 100 ICP 391    Age/Calv. 9/7 Avg. WI/Calf 108/6	CEF 090242 SPN Mat. 103  CEF 070130 SPN Mat. 69  FUZ 110185 SPN Mat. 85  FUZ 080026 SPN Mat. 145  DDJ 040034 SPN Mat. 129  FUZ 100084 SPN Mat. 127 Age/Calv. 9/7 Avg. WI/Calf 104/7	CEF 080025 SPN Mat. 126  CEF 070151 SPN Mat. 109  CEF 060473 SPN Mat. 103  CEF 070130 SPN Mat. 69  FUZ 110185 SPN Mat. 85  FUZ 080026 SPN Mat. 145  DDJ 040034 SPN Mat. 129  FUZ 990012 SPN Mat. 116
----------------------------	---	--	---	---	--


**Lot 67**

FUZ 190181 SPN Mat. 92		FUZ 160065 SPN Mat. 93  AFC 25    SPN Mat. 95 ICP 379    Age/Calv. 3/2 RI 121    Avg. WI/Calf 102/1	FUZ 130029 SPN Mat. 86  AFC 35    SPN Mat. 109 ICP 379    Age/Calv. 12/10 Avg. WI/Calf 104/9	FUZ 080036 SPN Mat. 99  FUZ 020054 SPN Mat. 95  AG 100008 SPN Mat. 94  LMR 090221 SPN Mat. 101  FUZ 090081 SPN Mat. 89  FUZ 100080 SPN Mat. 86	VV 080374 SPN Mat. 101  FUZ 100016 SPN Mat. 80  HJB 030038 SPN Mat. 99  FUZ 020054 SPN Mat. 95  AG 100008 SPN Mat. 94  LMR 090221 SPN Mat. 101  FUZ 090081 SPN Mat. 89  FUZ 100080 SPN Mat. 86
---------------------------	---	--	---	--	--


**Lot 68**

FUZ 190187 SPN Mat. 91		FUZ 160007 SPN Mat. 91  AFC 26    SPN Mat. 90 ICP 368    Age/Calv. 3/2 RI 120    Avg. WI/Calf 95/1	FUZ 130051 SPN Mat. 88  AFC 35    SPN Mat. 101 ICP 381    Age/Calv. 6/4 Avg. WI/Calf 100/3	FUZ 130024 SPN Mat. 101  LMR 130374 SPN Mat. 106  FUZ 140032 SPN Mat. 94 Age/Calv. 5/3 Avg. WI/Calf 106/2	HJB 020223 SPN Mat. 91  FUZ 100128 SPN Mat. 86  VV 080374 SPN Mat. 101  FUZ 100078 SPN Mat. 97  AG 100008 SPN Mat. 94  LMR 090221 SPN Mat. 101  VV 080374 SPN Mat. 101  FUZ 110172 SPN Mat. 88
---------------------------	---	---	---	--	--


**Lot 69**

FUZ 190189 SPN Mat. 110		MC 120238 SPN Mat. 111  AFC 36    SPN Mat. 110 ICP 370    Age/Calv. 15/13 RI 111    Avg. WI/Calf 97/13	CEF 080025 SPN Mat. 126  AFC 28    SPN Mat. 68 ICP 401    Age/Calv. 12/10 Avg. WI/Calf 96/9	LMR 080159 SPN Mat. 44  DV 990310 SPN Mat. 123 Silver  FUZ 970066 SPN Mat. 102 Age/Calv. 7/5 Avg. WI/Calf 97/5	AG 020251 SPN Mat. 121  CEF 020146 SPN Mat. 111  LMR 030096 SPN Mat. 44  PMB 020084 SPN Mat. 98  RCO 950179 SPN Mat. 123  DV 970028 SPN Mat. 87  FUZ 930143 SPN Mat. 125  FUZ 0436 SPN Mat. 92
----------------------------	---	---	--	--	--

**Lot 70**

FUZ 190047 SPN Mat. 109		GA 150348 SPN Mat. 103  AFC 35    SPN Mat. 116 ICP 366    Age/Calv. 15/13 RI 112    Avg. WI/Calf 101/13	AJF 110466 SPN Mat. 103  AFC 24    SPN Mat. 111 ICP 467    Age/Calv. 7/5 Avg. WI/Calf 109/3	AJF 120225 SPN Mat. 115 Silver Elite-Gold  FUZ 990036 SPN Mat. 91 Age/Calv. 13/11 Avg. WI/Calf 100/11	AJF 080174 SPN Mat. 94  AJF 090030 SPN Mat. 110  AJF 070139 SPN Mat. 87  AJF 080179 SPN Mat. 91  RCO 950179 SPN Mat. 123  DV 970028 SPN Mat. 87  AG 940196 SPN Mat. 87  LDW 900160 SPN Mat. 91
----------------------------	---	--	--	---	--

**Lot 72**

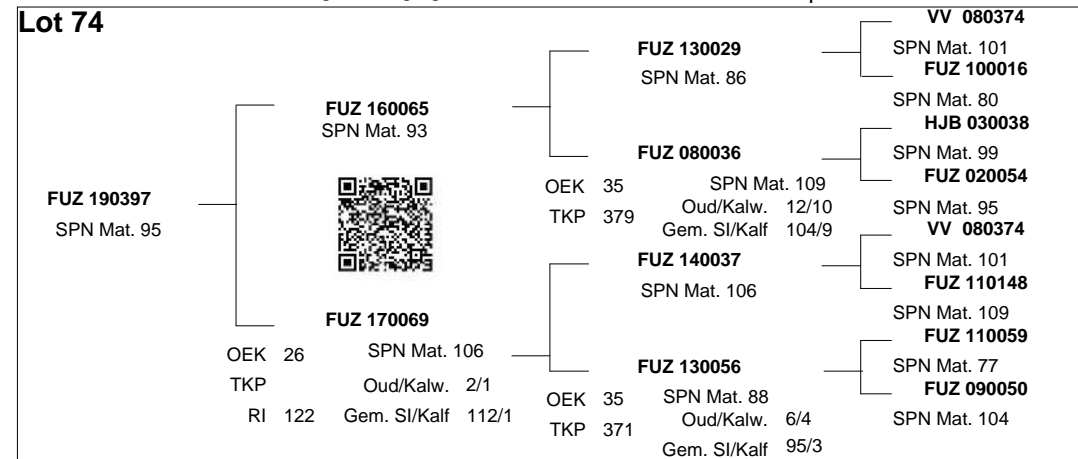
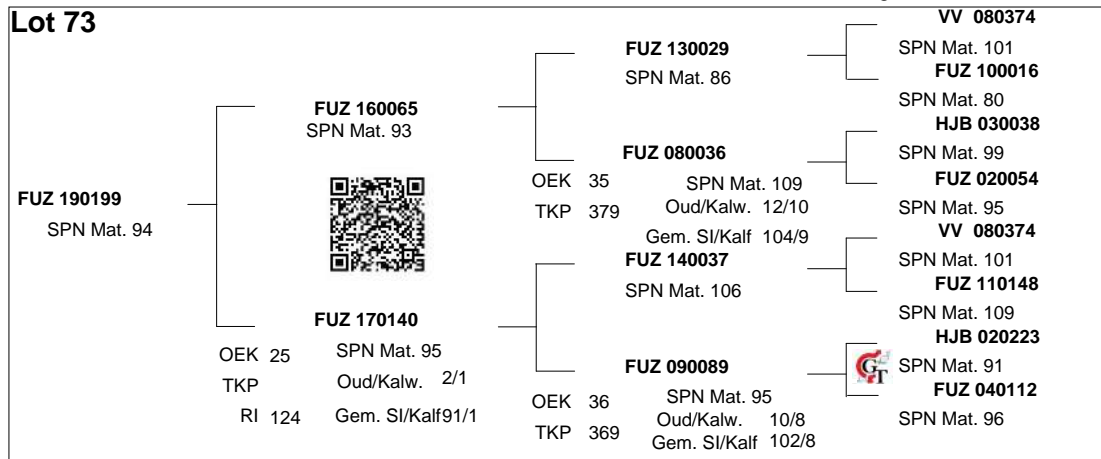
FUZ 190197 SPN Mat. 106		GA 150348 SPN Mat. 103  AFC 35    SPN Mat. 115 ICP 367    Age/Calv. 15/13 RI 112    Avg. WI/Calf 100/13	AJF 110466 SPN Mat. 103  AFC 24    SPN Mat. 111 ICP 467    Age/Calv. 7/5 Avg. WI/Calf 109/3	DV 990310 SPN Mat. 115 Silver  FUZ 990046 SPN Mat. 126 Age/Calv. 5/3 Avg. WI/Calf 107/3	AJF 080174 SPN Mat. 94  AJF 090030 SPN Mat. 110  AJF 070139 SPN Mat. 87  AJF 080179 SPN Mat. 91  RCO 950179 SPN Mat. 123  DV 970028 SPN Mat. 87  FUZ 930143 SPN Mat. 125  FUZ 0412 SPN Mat. 117
----------------------------	---	--	--	--	---

Lot	Verkoper	ID POENA Gen	OUERS VADER GV OV MOEDER GV OV	Toets Genomies Getoets DNS Geb. dat.	DIREKTE KALF EIENSKAPPE		DOGTER EIENSKAPPE			GROEI		DOEL	REP	MATES		V:	Semen Gebruikers	Gebruiker Eie Opmerkings		
					Nageslag Geboorte- gewig	Nageslag Speengewig	Gemak van Kalwing	Melk prod.	Volwas- se Gewig	Naspeen- gewig	Daaglikse Toename			Voer- omset	Hoogte & Lengte					
Teelwaarde indekse																				
					Geb Dir	Speen Dir		Geb Mat	Speen Mat	Volw Gew	Naspeen	GDT	VOV	SO	Hgt	Lgt	LHV			
					Akk	Akk		Akk	Akk	Akk	Akk	Akk	Akk	Akk	Akk	Akk	GGV			
					Gew kg	Gew kg	Ind	kg	kg	kg	365d Ind	540d Ind	Ind	Ind	(mm)	(mm)	(mm)	SGV		

## BULLE

73	FUZ BONSMARAS	FUZ 190199	FUZ 160065	GT	<b>138</b>	<b>82</b>	<b>96</b>	<b>94</b>	<b>87</b>	<b>82</b>	<b>90</b>	<b>93</b>	<b>88</b>	<b>76</b>	<b>85</b>	1.16		
				-2.94	5.0	0.00	2.2	-5.0	8.9	49	-34	0.0	-19	-7	6.22			
		FUZ 170140	22.11.19	74	67	39	43	34	49	63	13	72	74	70	49.3			
		SP			24	203	<b>91</b>			-	<b>109</b>	-	339	1067	1238			
74	FUZ BONSMARAS	FUZ 190397	FUZ 160065	GT	<b>132</b>	<b>93</b>	<b>109</b>	<b>95</b>	<b>98</b>	<b>89</b>	<b>97</b>	<b>97</b>	<b>103</b>	<b>92</b>	<b>99</b>	1.18		
				-2.38	10.1	-0.61	2.6	8.0	13.9	85	-44	12.1	-5	13	6.11			
		FUZ 170069	25.11.19	74	67	38	42	33	48	62	12	72	73	70	60.7			
		SP			24	244	<b>112</b>			-	<b>97</b>	-	362	1108	1310			





## FEMALE ANIMALS



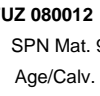

Lot	Seller	ID	PARENTS	Test	Breeding Value Indexes											R:	Breeder Own Remarks		
					DIRECT CALF TRAITS		DAUGHTER TRAITS			GROWTH		EFF.	REP	MEASURE-MENTS					
POLLED	SIRE GV PV	DAM GV PV	Genomic Tested DNA	Birth Dir		Wean Dir		Birth Mat	Wean Mat	Mat Wgt	Post Wean		ADG	FCR	SC	Hgt		Lgt	LHR
				Acc	Acc	Acc	Acc	Acc	365d Ind	540d Ind	Ind	Ind	(mm)	(mm)	(mm)	BWR			
Gen			Birth Date	Wgt kg	Wgt kg	Ind	kg	kg	kg									WWR	

### Pregnant Heifers



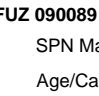

75 A	FUZ BONSMARAS	FUZ 190118 SP	JFE 140097	PW365	<b>87</b>	<b>115</b>	<b>104</b>	<b>101</b>	<b>86</b>	<b>105</b>	<b>96</b>	<b>94</b>	<b>96</b>	<b>107</b>	<b>106</b>	-		
					2.37	20.4	-0.36	4.3	-6.0	25.9	79	-36	6.5	7	23	7.77		
			FUZ 080012	18.10.19	39	266	108			111	-							
75 B	FUZ BONSMARAS	FUZ 190170 SP	AG 140505	PW365	<b>87</b>	<b>104</b>	<b>91</b>	<b>100</b>	<b>82</b>	<b>101</b>	<b>94</b>	<b>91</b>	<b>96</b>	<b>95</b>	<b>100</b>	-		
					2.36	15.5	0.24	4.0	-10.0	22.5	68	-31	6.2	-3	15	9.15		
			FUZ 090089	07.11.19	41	222	97			99	-							
75 C	FUZ BONSMARAS	FUZ 190168 SP	MC 120238	PW365	<b>76</b>	<b>101</b>	<b>85</b>	<b>110</b>	<b>103</b>	<b>98</b>	<b>99</b>	<b>98</b>	<b>98</b>	<b>101</b>	<b>103</b>	-		
					3.61	13.8	0.48	6.8	13.0	20.9	90	-44	8.2	2	18	8.15		
			FUZ 080028	04.11.19	41	220	96			115	-							
76 A	FUZ BONSMARAS	FUZ 190112 SP	AG 140505	PW365	<b>104</b>	<b>108</b>	<b>109</b>	<b>101</b>	<b>90</b>	<b>105</b>	<b>98</b>	<b>96</b>	<b>107</b>	<b>103</b>	<b>105</b>	-		
					0.59	17.4	-0.62	4.2	-2.0	25.3	89	-40	15.5	4	21	5.65		
			FUZ 080018	17.10.19	31	252	105			115	-							
76 B	FUZ BONSMARAS	FUZ 190064 SP	JFE 140097	PW365	<b>96</b>	<b>100</b>	<b>116</b>	<b>112</b>	<b>99</b>	<b>93</b>	<b>98</b>	<b>95</b>	<b>89</b>	<b>107</b>	<b>104</b>	-		
					1.46	13.4	-0.90	7.3	9.0	17.0	87	-38	0.6	7	20	5.45		
			FUZ 100030	07.10.19	33	250	103			103	-							
76 C	FUZ BONSMARAS	FUZ 190190 SP	GA 150348	PW365	<b>102</b>	<b>102</b>	<b>77</b>	<b>101</b>	<b>96</b>	<b>98</b>	<b>99</b>	<b>95</b>	<b>99</b>	<b>105</b>	<b>105</b>	-		
					0.83	14.2	0.84	4.2	5.0	20.7	95	-39	9.1	6	22	7.93		
			FUZ 060110	16.11.19	39	230	102			103	-							

1.02	13.5	-0.19	3.9	10	22	97	-50	9.8	1	14
------	------	-------	-----	----	----	----	-----	-----	---	----



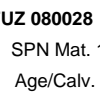

**Lot 75A**

FUZ 190118 SPN Mat. 101		JFE 140097 SPN Mat. 107		FCT 080102 SPN Mat. 122	FCT 050041 SPN Mat. 96
				Elite-Bronze	FCT 050164 SPN Mat. 152
FUZ 080012		FUZ 080012 SPN Mat. 97		JFE 110021 SPN Mat. 81	CEF 050400 SPN Mat. 81
				Elite-Bronze	JPL 080087 SPN Mat. 100
AFC 36 ICP 371 RI 110	SPN Mat. 107 Age/Calv. 11/9 Avg. WI/Calf 105/9	AFC 28 ICP 376	SPN Mat. 91 Age/Calv. 8/7 Avg. WI/Calf 100/7	HJB 020223 SPN Mat. 91	HJB 990118 SPN Mat. 111
		AFC 32 ICP 367	SPN Mat. 92 Age/Calv. 12/10 Avg. WI/Calf 100/10	FUJ 050122 SPN Mat. 92	DV 990310 SPN Mat. 115
				FUJ 010016 SPN Mat. 115	FUJ 010016 SPN Mat. 77





**Lot 75B**

FUZ 190170 SPN Mat. 100		AG 140505 SPN Mat. 103		AG 110029 SPN Mat. 104	LAR 060034 SPN Mat. 108
				AG 070420 SPN Mat. 89	AG 060481 SPN Mat. 89
FUZ 090089		FUZ 090089 SPN Mat. 95		AG 110622 SPN Mat. 101	AG 990523 SPN Mat. 93
				Elite-Bronze	GB 920056 SPN Mat. 111
AFC 36 ICP 369 RI 109	SPN Mat. 103 Age/Calv. 8/6 Avg. WI/Calf 105/6	AFC 35 ICP 370	SPN Mat. 91 Age/Calv. 105/6	HJB 020223 SPN Mat. 91	HJB 990118 SPN Mat. 111
		AFC 34 ICP 378	SPN Mat. 96 Age/Calv. 6/4 Avg. WI/Calf 96/4	FUJ 040112 SPN Mat. 103	EI 010200 SPN Mat. 103
				FUJ 000036 SPN Mat. 112	FUJ 000036 SPN Mat. 112



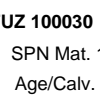

**Lot 75C**

FUZ 190168 SPN Mat. 110		MC 120238 SPN Mat. 111		AG 020251 SPN Mat. 121	AG 020251 SPN Mat. 121
				CEF 020146 SPN Mat. 111	CEF 020146 SPN Mat. 111
FUZ 080028		FUZ 080028 SPN Mat. 108		LMR 080159 SPN Mat. 44	LAR 960024 SPN Mat. 98
				Elite-Gold	PMB 020084 SPN Mat. 84
AFC 30 ICP 396 RI 109	SPN Mat. 110 Age/Calv. 12/10 Avg. WI/Calf 96/9	AFC 28 ICP 401	SPN Mat. 68 Age/Calv. 12/10 Avg. WI/Calf 96/9	HJB 030038 SPN Mat. 99	LA 970014 SPN Mat. 84
		AFC 35 ICP 367	SPN Mat. 115 Age/Calv. 15/13 Avg. WI/Calf 100/13	FUJ 040134 SPN Mat. 95	DV 990310 SPN Mat. 115
				FUJ 990046 SPN Mat. 115	FUJ 990046 SPN Mat. 126


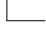
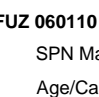
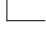
**Lot 76A**

FUZ 190112 SPN Mat. 101		AG 140505 SPN Mat. 103		AG 110029 SPN Mat. 104	LAR 060034 SPN Mat. 108
				AG 070420 SPN Mat. 89	AG 060481 SPN Mat. 89
FUZ 080018		FUZ 080018 SPN Mat. 105		AG 110622 SPN Mat. 101	AG 990523 SPN Mat. 93
				Elite-Gold	GB 920056 SPN Mat. 111
AFC 26 ICP 406 RI 110	SPN Mat. 101 Age/Calv. 8/6 Avg. WI/Calf 105/6	AFC 35 ICP 370	SPN Mat. 91 Age/Calv. 105/6	HJB 020223 SPN Mat. 91	HJB 990118 SPN Mat. 111
		AFC 36 ICP 369	SPN Mat. 97 Age/Calv. 14/12 Avg. WI/Calf 99/12	FUJ 050024 SPN Mat. 92	EI 010200 SPN Mat. 103
				FUJ 020024 SPN Mat. 103	FUJ 020024 SPN Mat. 93

**Lot 76B**

FUZ 190064 SPN Mat. 112		JFE 140097 SPN Mat. 107		FCT 080102 SPN Mat. 122	FCT 050041 SPN Mat. 96
				Elite-Bronze	FCT 050164 SPN Mat. 152
FUZ 100030		FUZ 100030 SPN Mat. 121		JFE 110021 SPN Mat. 81	CEF 050400 SPN Mat. 81
				Elite-Bronze	JPL 080087 SPN Mat. 100
AFC 35 ICP 368 RI 109	SPN Mat. 112 Age/Calv. 9/7 Avg. WI/Calf 104/7	AFC 28 ICP 376	SPN Mat. 91 Age/Calv. 8/7 Avg. WI/Calf 100/7	DDJ 040034 SPN Mat. 107	BFB 000032 SPN Mat. 107
		AFC 36 ICP 370	SPN Mat. 129 Age/Calv. 15/13 Avg. WI/Calf 97/13	JH 940027 SPN Mat. 124	JH 940027 SPN Mat. 124
				DV 990310 SPN Mat. 115	DV 990310 SPN Mat. 102
				FUJ 040030 SPN Mat. 115	FUJ 970066 SPN Mat. 102

**Lot 76C**

FUZ 190190 SPN Mat. 101		GA 150348 SPN Mat. 103		AJF 110466 SPN Mat. 103	AJF 080174 SPN Mat. 94
				AJF 090030 SPN Mat. 110	AJF 070139 SPN Mat. 87
FUZ 060110		FUZ 060110 SPN Mat. 100		AJF 120225 SPN Mat. 111	AJF 080179 SPN Mat. 91
				Elite-Bronze	B 930047 SPN Mat. 73
AFC 30 ICP 383 RI 111	SPN Mat. 101 Age/Calv. 7/5 Avg. WI/Calf 109/3	AFC 24 ICP 467	SPN Mat. 85 Age/Calv. 109/3	BG 960117 SPN Mat. 85	B 930061 SPN Mat. 108
		AFC 35 ICP 363	SPN Mat. 97 Age/Calv. 11/9 Avg. WI/Calf 103/9	FUJ 970158 SPN Mat. 102	LDW 900135 SPN Mat. 102
				FUJ 920176 SPN Mat. 96	FUJ 920176 SPN Mat. 96

## VROULIKE DIERE

Lot	Verkoper	ID POENA Gen	OUERS VADER GV OV MOEDER GV OV	Toets Genomies Getoets DNS Geb. dat.	DIREKTE KALF EIENSKAPPE		DOGTER EIENSKAPPE			GROEI		DOEL	REP	MATES			V:	Gebruiker Eie Opmerkings
					Nageslag Geboorte- gewig	Nageslag Speengewig	Gemak van Kalwing	Melk prod.	Volwas- se Gewig	Naspeen- gewig	Daaglikse Toename	Voer- omset		Hoogte & Lengte				
					Geb Dir	Speen Dir	Geb Mat	Speen Mat	Volw Gew	Naspeen	GDT	VOV	SO	Hgt	Lgt	LHV		
<b>Teelwaarde indekse</b>																		
					Akk	Akk	Akk	Akk	Akk	Akk	Akk	Akk	Akk	Akk	Akk	Akk	GGV	
					Gew kg	Gew kg	Ind	kg	kg	kg	365d Ind	540d Ind	Ind	Ind	(mm)	(mm)	(mm)	SGV

### Dragtige Verse

76 D	FUZ BONSMARAS	FUZ 190004 SP	FUZ 160101	NS365	<b>107</b>	<b>113</b>	<b>124</b>	<b>99</b>	<b>107</b>	<b>111</b>	<b>108</b>	<b>105</b>	<b>102</b>	<b>114</b>	<b>114</b>	-	
					0.31	19.4	-1.27	3.6	18.0	29.7	137	-61	11.5	12	34	6.44	
			FUZ 170112	29.08.19	29	238	<b>107</b>			102	-						


### Oop Verse

77 A	FUZ BONSMARAS	FUZ 190022 SP	FUZ 160065	NS365	<b>140</b>	<b>73</b>	<b>92</b>	<b>86</b>	<b>80</b>	<b>71</b>	<b>79</b>	<b>88</b>	<b>91</b>	<b>71</b>	<b>79</b>	-	
					-3.15	1.0	0.17	0.1	-12.0	1.5	-1	-23	2.6	-22	-15	6.6	
			FUZ 170108	16.09.19	26	203	<b>90</b>			94	-						
77 B	FUZ BONSMARAS	FUZ 190202 SP	LMR 130374	NS365	<b>103</b>	<b>108</b>	<b>121</b>	<b>105</b>	<b>99</b>	<b>105</b>	<b>96</b>	<b>104</b>	<b>98</b>	<b>95</b>	<b>96</b>	-	
					0.72	17.1	-1.16	5.2	8.0	25.8	79	-58	8.1	-3	9	7.82	
			FUZ 060140	25.11.19	34	231	<b>105</b>			107	-						
77 C	FUZ BONSMARAS	FUZ 190010 SP	CEF 150536	NS365	<b>113</b>	<b>105</b>	<b>111</b>	<b>93</b>	<b>98</b>	<b>105</b>	<b>108</b>	<b>106</b>	<b>97</b>	<b>96</b>	<b>101</b>	-	
					-0.40	16.0	-0.71	1.9	8.0	25.3	133	-62	7.2	-2	15	6.36	
			FUZ 170030	04.09.19	26	217	<b>98</b>			100	-						
78 A	FUZ BONSMARAS	FUZ 190030 SP	CEF 150536	NS365	<b>111</b>	<b>100</b>	<b>109</b>	<b>87</b>	<b>104</b>	<b>101</b>	<b>107</b>	<b>100</b>	<b>97</b>	<b>99</b>	<b>104</b>	-	
					-0.16	13.6	-0.59	0.3	14.0	22.7	129	-49	7.7	0	21	7.59	
			FUZ 170194	22.09.19	28	222	<b>99</b>			98	-						
78 B	FUZ BONSMARAS	FUZ 190200 SP	AG 150747	NS365	<b>84</b>	<b>110</b>	<b>117</b>	<b>97</b>	<b>103</b>	<b>110</b>	<b>107</b>	<b>104</b>	<b>112</b>	<b>98</b>	<b>103</b>	-	
					2.67	18.3	-0.97	3.0	13.0	29.3	129	-58	19.3	-1	18	8.22	
			FUZ 080052	24.11.19	41	251	<b>112</b>			112	-						

**Lot 76D**

**FUZ 190004**  
SPN Mat. 99

**FUZ 160101**  
SPN Mat. 101



OEK 23 SPN Mat. 100  
TKP 558 Oud/Kalw. 3/2  
RI 113 Gem. SI/Kalf 107/1

**FUZ 170112**  
SPN Mat. 100

OEK 26 SPN Mat. 105  
TKP 406 Oud/Kalw. 11/9  
Gem. SI/Kalf 104/9

**VV 080374**  
SPN Mat. 101

**FUZ 130180**  
SPN Mat. 104  
Oud/Kalw. 6/4  
Gem. SI/Kalf 99/4

OEK 33  
TKP 376

**FUZ 140077**  
SPN Mat. 91

**FUZ 080018**  
SPN Mat. 105  
Oud/Kalw. 11/9  
Gem. SI/Kalf 104/9

OEK 26  
TKP 406

**VV 050036**  
SPN Mat. 86

**VV 020096**  
SPN Mat. 99

**AG 020263**  
SPN Mat. 67

**FUZ 080026**  
SPN Mat. 145

**FUZ 110049**  
SPN Mat. 82

**FUZ 030018**  
SPN Mat. 97


**HJB 020223**  
SPN Mat. 91

**FUZ 050024**  
SPN Mat. 97

**Lot 77A**

**FUZ 190022**  
SPN Mat. 86

**FUZ 160065**  
SPN Mat. 93



OEK 23 SPN Mat. 77  
TKP Oud/Kalw. 2/1  
RI 130 Gem. SI/Kalf 90/1

**FUZ 170108**  
SPN Mat. 77

OEK 35 SPN Mat. 76  
TKP 373 Oud/Kalw. 9/7  
Gem. SI/Kalf 95/6

**FUZ 130029**  
SPN Mat. 86

**FUZ 080036**  
SPN Mat. 109  
Oud/Kalw. 12/10  
Gem. SI/Kalf 104/9

OEK 35  
TKP 379

**FUZ 140025**  
SPN Mat. 87

**FUZ 100068**  
SPN Mat. 76  
Oud/Kalw. 9/7  
Gem. SI/Kalf 95/6

OEK 35  
TKP 373

**VV 080374**  
SPN Mat. 101

**FUZ 100016**  
SPN Mat. 80

**HJB 030038**  
SPN Mat. 99

**FUZ 020054**  
SPN Mat. 95

**VV 080374**  
SPN Mat. 101

**FUZ 110020**  
SPN Mat. 92


**AG 020263**  
SPN Mat. 67

**FUZ 030042**  
SPN Mat. 89

**Lot 77B**

**FUZ 190202**  
SPN Mat. 105

**LMR 130374**  
SPN Mat. 106



OEK 28 SPN Mat. 103  
TKP 387 Oud/Kalw. 13/11  
RI 112 Gem. SI/Kalf 106/11

**FUZ 060140**  
SPN Mat. 103

OEK 25 SPN Mat. 125  
TKP 358 Oud/Kalw. 3/2  
Gem. SI/Kalf 105/2

**AG 100008**  
SPN Mat. 94

**LMR 090221**  
SPN Mat. 101  
Oud/Kalw. 10/7  
Gem. SI/Kalf 102/7

OEK 37  
TKP 428

**RCO 980045**  
SPN Mat. 58

**FUZ 030112**  
SPN Mat. 125  
Oud/Kalw. 3/2  
Gem. SI/Kalf 105/2

OEK 25  
TKP 358

**AG 060481**  
SPN Mat. 89

**AG 970106**  
SPN Mat. 80

**LMR 060150**  
SPN Mat. 92

**LMR 060259**  
SPN Mat. 111

**AG J 0008**  
SPN Mat. 88

**RCO 950152**  
SPN Mat. 80


**DV 990310**  
SPN Mat. 115

**FUZ 990046**  
SPN Mat. 126

**Lot 77C**

**FUZ 190010**  
SPN Mat. 93

**CEF 150536**  
SPN Mat. 97



OEK 24 SPN Mat. 88  
TKP Oud/Kalw. 2/1  
RI 127 Gem. SI/Kalf 98/1

**FUZ 170030**  
SPN Mat. 88

OEK 33 SPN Mat. 84  
TKP 415 Oud/Kalw. 5/3  
Gem. SI/Kalf 100/2

**CEF 100304**  
SPN Mat. 99

**CEF 090242**  
SPN Mat. 100  
Oud/Kalw. 9/7  
Gem. SI/Kalf 108/6

OEK 29  
TKP 391

**VV 080374**  
SPN Mat. 101

**FUZ 140184**  
SPN Mat. 84  
Oud/Kalw. 5/3  
Gem. SI/Kalf 100/2

OEK 33  
TKP 415

**CEF 080025**  
SPN Mat. 126

**CEF 070151**  
SPN Mat. 109

**CEF 060473**  
SPN Mat. 103

**CEF 070130**  
SPN Mat. 69

**VV 050036**  
SPN Mat. 86

**VV 020096**  
SPN Mat. 99


**FUZ 110049**  
SPN Mat. 82

**FUZ 060112**  
SPN Mat. 91

**Lot 78A**

**FUZ 190030**  
SPN Mat. 87

**CEF 150536**  
SPN Mat. 97



OEK 22 SPN Mat. 78  
TKP 399 Oud/Kalw. 3/2  
RI 125 Gem. SI/Kalf 99/1

**FUZ 170194**  
SPN Mat. 78

OEK 33 SPN Mat. 78  
TKP 370 Oud/Kalw. 8/6  
Gem. SI/Kalf 103/5

**CEF 100304**  
SPN Mat. 99

**CEF 090242**  
SPN Mat. 100  
Oud/Kalw. 9/7  
Gem. SI/Kalf 108/6

OEK 29  
TKP 391

**LMR 080188**  
SPN Mat. 84

**FUZ 120190**  
SPN Mat. 78  
Oud/Kalw. 8/6  
Gem. SI/Kalf 103/5

OEK 33  
TKP 370

**CEF 080025**  
SPN Mat. 126

**CEF 070151**  
SPN Mat. 109

**CEF 060473**  
SPN Mat. 103

**CEF 070130**  
SPN Mat. 69

**LAR 030052**  
SPN Mat. 88

**LMR 030288**  
SPN Mat. 83


**CEW 080056**  
SPN Mat. 54

**FUZ 080132**  
SPN Mat. 80

**Lot 78B**

**FUZ 190200**  
SPN Mat. 97

**AG 150747**  
SPN Mat. 94



OEK 35 SPN Mat. 102  
TKP 368 Oud/Kalw. 12/10  
RI 111 Gem. SI/Kalf 101/9

**FUZ 080052**  
SPN Mat. 102


OEK 34 SPN Mat. 92  
TKP 375 Oud/Kalw. 9/7  
Gem. SI/Kalf 101/6

**AG 110192**  
SPN Mat. 85

**AG 080156**  
SPN Mat. 91  
Oud/Kalw. 12/11  
Gem. SI/Kalf 101/8

OEK 25  
TKP 368

**HJB 030038**  
SPN Mat. 99

**Elite-Brons**  
 **FUZ 040080**  
SPN Mat. 92  
Oud/Kalw. 9/7  
Gem. SI/Kalf 101/6

OEK 34  
TKP 375

**VV 070012**  
SPN Mat. 110

**AG 030031**  
SPN Mat. 88

**AG 020251**  
SPN Mat. 121

**AG 040285**  
SPN Mat. 70

**LAR 960024**  
SPN Mat. 84

**LA 970014**  
SPN Mat. 95

**EI 010200**  
SPN Mat. 103

**FUZ 930008**  
SPN Mat. 77



## FEMALE ANIMALS

Lot	Seller	ID	PARENTS	Test	Breeding Value Indexes												R:	Breeder Own Remarks					
					SIRE GV PV	Genomic Tested DNA	Birth Dir		Wean Dir		Birth Mat	Wean Mat	Mat Wgt	Post Wean		ADG			FCR	SC	Hgt	Lgt	LHR
							Acc	Acc	Acc	Acc	Acc	365d Ind	540d Ind	Ind	Ind	(mm)			(mm)	(mm)	BWR		
		Gen	DAM GV PV	Birth Date	Wgt kg	Wgt kg	Ind	kg	kg	kg								WWR					



### Open Heifers

78 C	FUZ BONSMARAS	FUZ 190016 SP	CEF 150536	PW365	<b>117</b>	<b>96</b>	<b>103</b>	<b>94</b>	<b>87</b>	<b>96</b>	<b>98</b>	<b>97</b>	<b>94</b>	<b>89</b>	<b>95</b>	-		
					-0.74	11.4	-0.32	2.3	-5.0	18.8	87	-43	5.2	-8	8	6.76		
			FUZ 170062	09.09.19	29	218	97			103	-							
78 D	FUZ BONSMARAS	FUZ 190166 SP	FUZ 160007	PW365	<b>117</b>	<b>116</b>	<b>108</b>	<b>95</b>	<b>109</b>	<b>110</b>	<b>109</b>	<b>104</b>	<b>114</b>	<b>106</b>	<b>110</b>	-		
					-0.75	21.0	-0.56	2.6	20.0	29.2	139	-58	21.5	6	29	6.16		
			FUZ 170120	01.11.19	29	237	115			104	-							
78 E	FUZ BONSMARAS	FUZ 190178 A		PW365	<b>88</b>	<b>113</b>	<b>107</b>	<b>92</b>	<b>104</b>	<b>98</b>	<b>108</b>	<b>121</b>	<b>118</b>	<b>117</b>	<b>114</b>	-		
					2.25	19.6	-0.49	1.7	14.0	20.5	133	-96	24.5	15	33	8.15		
			FUZ 080030	12.11.19	40	280	128			111	-							
78 F	FUZ BONSMARAS	FUZ 190122 SP	JFE 140097	PW365	<b>104</b>	<b>101</b>	<b>94</b>	<b>107</b>	<b>95</b>	<b>92</b>	<b>99</b>	<b>96</b>	<b>92</b>	<b>101</b>	<b>102</b>	-		
					0.64	13.8	0.07	5.7	5.0	16.6	94	-42	3.7	2	17	6.1		
			FUZ 080036	13.10.19	33	245	101			100	-							
79 A	FUZ BONSMARAS	FUZ 190020 SP	CEF 150536	PW365	<b>106</b>	<b>112</b>	<b>100</b>	<b>102</b>	<b>105</b>	<b>111</b>	<b>114</b>	<b>105</b>	<b>103</b>	<b>104</b>	<b>109</b>	-		
					0.42	19.0	-0.20	4.3	15.0	29.7	161	-61	12.0	5	26	7.44		
			FUZ 170048	14.09.19	32	245	109			110	-							
79 B	FUZ BONSMARAS	FUZ 190096 SP	GA 150348	PW365	<b>66</b>	<b>120</b>	<b>90</b>	<b>117</b>	<b>106</b>	<b>113</b>	<b>111</b>	<b>105</b>	<b>98</b>	<b>120</b>	<b>113</b>	-		
					4.65	23.0	0.27	8.6	17.0	31.5	147	-61	8.1	17	33	9.31		
			FUZ 100064	13.10.19	47	272	107			105	-							



**Lot 78C**

<p><b>FUZ 190016</b> SPN Mat. 94</p>	<p><b>CEF 150536</b> SPN Mat. 97</p> 	<p>AFC 23    SPN Mat. 89 ICP 418    Age/Calv. 3/2 RI 122    Avg. WI/Calf 97/1</p>	 <p><b>CEF 100304</b> SPN Mat. 99</p>	<p>SPN Mat. 126 <b>CEF 070151</b> SPN Mat. 109 <b>CEF 060473</b> SPN Mat. 103 <b>CEF 070130</b> SPN Mat. 69 <b>VV 080374</b> SPN Mat. 101 <b>FUZ 110020</b> SPN Mat. 92 <b>CEW 080056</b> SPN Mat. 54 <b>FUZ 080008</b> SPN Mat. 97</p>		
					<p><b>CEF 090242</b> AFC 29    SPN Mat. 100 ICP 391    Age/Calv. 9/7 Avg. WI/Calf 108/6</p>	<p>SPN Mat. 109 SPN Mat. 103 <b>CEF 070130</b> SPN Mat. 69 <b>VV 080374</b> SPN Mat. 101 <b>FUZ 110020</b> SPN Mat. 92 <b>CEW 080056</b> SPN Mat. 54 <b>FUZ 080008</b> SPN Mat. 97</p>
					<p><b>FUZ 140025</b> SPN Mat. 87</p>	<p>SPN Mat. 101 <b>FUZ 110020</b> SPN Mat. 92 <b>CEW 080056</b> SPN Mat. 54 <b>FUZ 080008</b> SPN Mat. 97</p>
	<p><b>FUZ 170062</b> AFC 35    SPN Mat. 97 ICP 392    Age/Calv. 7/5 Avg. WI/Calf 107/4</p>		<p><b>FUZ 120096</b> AFC 35    SPN Mat. 97 ICP 392    Age/Calv. 7/5 Avg. WI/Calf 107/4</p>			



**Lot 78D**

<p><b>FUZ 190166</b> SPN Mat. 95</p>	<p><b>FUZ 160007</b> SPN Mat. 91</p> 	<p>AFC 25    SPN Mat. 104 ICP    Age/Calv. 2/1 RI 125    Avg. WI/Calf 115/1</p>	 <p><b>FUZ 130051</b> SPN Mat. 88</p>	<p>SPN Mat. 91 <b>FUZ 100128</b> SPN Mat. 86 <b>VV 080374</b> SPN Mat. 101 <b>FUZ 100078</b> SPN Mat. 97 <b>VV 080374</b> SPN Mat. 101 <b>FUZ 110148</b> SPN Mat. 109 <b>HJB 030038</b> SPN Mat. 99 <b>FUZ 030014</b> SPN Mat. 76</p>		
					<p><b>FUZ 130024</b> AFC 35    SPN Mat. 101 ICP 381    Age/Calv. 6/4 Avg. WI/Calf 100/3</p>	<p>SPN Mat. 86 <b>VV 080374</b> SPN Mat. 101 <b>FUZ 100078</b> SPN Mat. 97 <b>VV 080374</b> SPN Mat. 101 <b>FUZ 110148</b> SPN Mat. 109 <b>HJB 030038</b> SPN Mat. 99 <b>FUZ 030014</b> SPN Mat. 76</p>
					<p><b>FUZ 140037</b> SPN Mat. 106</p>	<p>SPN Mat. 101 <b>FUZ 110148</b> SPN Mat. 109 <b>HJB 030038</b> SPN Mat. 99 <b>FUZ 030014</b> SPN Mat. 76</p>
	<p><b>FUZ 170120</b> AFC 31    SPN Mat. 90 ICP 382    Age/Calv. 13/11 Avg. WI/Calf 101/11</p>		<p><b>FUZ 060046</b> AFC 31    SPN Mat. 90 ICP 382    Age/Calv. 13/11 Avg. WI/Calf 101/11</p>			



**Lot 78E**

<p><b>FUZ 190178</b> SPN Mat. 92</p>	<p>SPN Mat.</p> 	<p>AFC 35    SPN Mat. 103 ICP 373    Age/Calv. 11/9 RI 109    Avg. WI/Calf 100/9</p>	 <p>SPN Mat.</p>	<p>SPN Mat. SPN Mat. SPN Mat. SPN Mat. <b>LAR 960024</b> SPN Mat. 84 <b>LA 970014</b> SPN Mat. 95 <b>DV 990310</b> SPN Mat. 115 <b>FUZ 960114</b> SPN Mat. 100</p>		
					<p>SPN Mat.</p>	<p>SPN Mat. SPN Mat. SPN Mat. SPN Mat. <b>LAR 960024</b> SPN Mat. 84 <b>LA 970014</b> SPN Mat. 95 <b>DV 990310</b> SPN Mat. 115 <b>FUZ 960114</b> SPN Mat. 100</p>
					<p>AFC 34    SPN Mat. 118 ICP 369    Age/Calv. 10/8 Avg. WI/Calf 107/8</p>	<p>SPN Mat. SPN Mat. SPN Mat. SPN Mat. <b>LAR 960024</b> SPN Mat. 84 <b>LA 970014</b> SPN Mat. 95 <b>DV 990310</b> SPN Mat. 115 <b>FUZ 960114</b> SPN Mat. 100</p>
	<p><b>FUZ 080030</b> AFC 35    SPN Mat. 103 ICP 373    Age/Calv. 11/9 RI 109    Avg. WI/Calf 100/9</p>		<p><b>FUZ 030094</b> AFC 34    SPN Mat. 118 ICP 369    Age/Calv. 10/8 Avg. WI/Calf 107/8</p>			



**Lot 78F**

<p><b>FUZ 190122</b> SPN Mat. 107</p>	<p><b>JFE 140097</b> SPN Mat. 107</p> 	<p>AFC 35    SPN Mat. 109 ICP 379    Age/Calv. 12/10 RI 109    Avg. WI/Calf 104/9</p>	 <p><b>FCT 080102</b> SPN Mat. 122</p>	<p>Elite-Bronze <b>JFE 110021</b> AFC 28    SPN Mat. 91 ICP 376    Age/Calv. 8/7 Avg. WI/Calf 100/7</p>	<p><b>FCT 050041</b> SPN Mat. 96 <b>FCT 050164</b> SPN Mat. 152 <b>CEF 050400</b> SPN Mat. 81 <b>JPL 080087</b> SPN Mat. 100 <b>LAR 960024</b> SPN Mat. 84 <b>LA 970014</b> SPN Mat. 95 <b>FUZ 930143</b> SPN Mat. 125 <b>FUZ 930008</b> SPN Mat. 77</p>			
						<p><b>HJB 030038</b> SPN Mat. 99</p>	<p>SPN Mat. 91 Age/Calv. 8/7 Avg. WI/Calf 100/7</p>	<p>SPN Mat. 152 <b>CEF 050400</b> SPN Mat. 81 <b>JPL 080087</b> SPN Mat. 100 <b>LAR 960024</b> SPN Mat. 84 <b>LA 970014</b> SPN Mat. 95 <b>FUZ 930143</b> SPN Mat. 125 <b>FUZ 930008</b> SPN Mat. 77</p>
						<p><b>FUZ 020054</b> AFC 35    SPN Mat. 95 ICP 376    Age/Calv. 8/6 Avg. WI/Calf 94/6</p>	<p>SPN Mat. 91 Age/Calv. 8/7 Avg. WI/Calf 100/7</p>	<p>SPN Mat. 84 <b>LA 970014</b> SPN Mat. 95 <b>FUZ 930143</b> SPN Mat. 125 <b>FUZ 930008</b> SPN Mat. 77</p>
	<p><b>FUZ 080036</b> AFC 35    SPN Mat. 109 ICP 379    Age/Calv. 12/10 RI 109    Avg. WI/Calf 104/9</p>		<p><b>FCT 080102</b> SPN Mat. 122</p>	<p>Elite-Bronze <b>JFE 110021</b> AFC 28    SPN Mat. 91 ICP 376    Age/Calv. 8/7 Avg. WI/Calf 100/7</p>	<p><b>FCT 050041</b> SPN Mat. 96 <b>FCT 050164</b> SPN Mat. 152 <b>CEF 050400</b> SPN Mat. 81 <b>JPL 080087</b> SPN Mat. 100 <b>LAR 960024</b> SPN Mat. 84 <b>LA 970014</b> SPN Mat. 95 <b>FUZ 930143</b> SPN Mat. 125 <b>FUZ 930008</b> SPN Mat. 77</p>			

**Lot 79A**

<p><b>FUZ 190020</b> SPN Mat. 102</p>	<p><b>CEF 150536</b> SPN Mat. 97</p> 	<p>AFC 24    SPN Mat. 108 ICP 532    Age/Calv. 3/2 RI 113    Avg. WI/Calf 109/1</p>	 <p><b>CEF 100304</b> SPN Mat. 99</p>	<p>SPN Mat. 126 <b>CEF 070151</b> SPN Mat. 109 <b>CEF 060473</b> SPN Mat. 103 <b>CEF 070130</b> SPN Mat. 69 <b>LPS 060117</b> SPN Mat. 70 <b>FUZ 090040</b> SPN Mat. 82 <b>VV 080374</b> SPN Mat. 101 <b>FUZ 120156</b> SPN Mat. 106</p>		
					<p><b>CEF 090242</b> AFC 29    SPN Mat. 100 ICP 391    Age/Calv. 9/7 Avg. WI/Calf 108/6</p>	<p>SPN Mat. 103 <b>CEF 070130</b> SPN Mat. 69 <b>LPS 060117</b> SPN Mat. 70 <b>FUZ 090040</b> SPN Mat. 82 <b>VV 080374</b> SPN Mat. 101 <b>FUZ 120156</b> SPN Mat. 106</p>
					<p><b>FUZ 140059</b> SPN Mat. 84</p>	<p>SPN Mat. 103 <b>CEF 070130</b> SPN Mat. 69 <b>LPS 060117</b> SPN Mat. 70 <b>FUZ 090040</b> SPN Mat. 82 <b>VV 080374</b> SPN Mat. 101 <b>FUZ 120156</b> SPN Mat. 106</p>
	<p><b>FUZ 170048</b> AFC 24    SPN Mat. 108 ICP 532    Age/Calv. 3/2 RI 113    Avg. WI/Calf 109/1</p>		<p><b>FUZ 150018</b> AFC 24    SPN Mat. 116 ICP 399    Age/Calv. 4/3 Avg. WI/Calf 109/2</p>			

**Lot 79B**

<p><b>FUZ 190096</b> SPN Mat. 117</p>	<p><b>GA 150348</b> SPN Mat. 103</p> 	<p>AFC 34    SPN Mat. 129 ICP 373    Age/Calv. 9/7 RI 109    Avg. WI/Calf 104/7</p>	 <p><b>AJF 110466</b> SPN Mat. 103</p>	<p>Elite-Gold <b>DDJ 040034</b> AFC 24    SPN Mat. 111 ICP 467    Age/Calv. 7/5 Avg. WI/Calf 109/3</p>	<p><b>AJF 080174</b> SPN Mat. 94 <b>AJF 090030</b> SPN Mat. 110 <b>AJF 070139</b> SPN Mat. 87 <b>AJF 080179</b> SPN Mat. 91 <b>BFB 000032</b> SPN Mat. 107 <b>JH 940027</b> SPN Mat. 124 <b>DV 990310</b> SPN Mat. 115 <b>FUZ 990038</b> SPN Mat. 104</p>			
						<p><b>AJF 120225</b> AFC 24    SPN Mat. 111 ICP 467    Age/Calv. 7/5 Avg. WI/Calf 109/3</p>	<p>SPN Mat. 111 Age/Calv. 7/5 Avg. WI/Calf 109/3</p>	<p>SPN Mat. 94 <b>AJF 090030</b> SPN Mat. 110 <b>AJF 070139</b> SPN Mat. 87 <b>AJF 080179</b> SPN Mat. 91 <b>BFB 000032</b> SPN Mat. 107 <b>JH 940027</b> SPN Mat. 124 <b>DV 990310</b> SPN Mat. 115 <b>FUZ 990038</b> SPN Mat. 104</p>
						<p><b>FUZ 100064</b> AFC 34    SPN Mat. 129 ICP 373    Age/Calv. 9/7 RI 109    Avg. WI/Calf 104/7</p>	<p>SPN Mat. 111 Age/Calv. 7/5 Avg. WI/Calf 109/3</p>	<p>SPN Mat. 124 <b>DV 990310</b> SPN Mat. 115 <b>FUZ 990038</b> SPN Mat. 104</p>
	<p><b>FUZ 100064</b> AFC 34    SPN Mat. 129 ICP 373    Age/Calv. 9/7 RI 109    Avg. WI/Calf 104/7</p>		<p><b>AJF 110466</b> SPN Mat. 103</p>	<p>Elite-Gold <b>DDJ 040034</b> AFC 24    SPN Mat. 111 ICP 467    Age/Calv. 7/5 Avg. WI/Calf 109/3</p>	<p><b>AJF 080174</b> SPN Mat. 94 <b>AJF 090030</b> SPN Mat. 110 <b>AJF 070139</b> SPN Mat. 87 <b>AJF 080179</b> SPN Mat. 91 <b>BFB 000032</b> SPN Mat. 107 <b>JH 940027</b> SPN Mat. 124 <b>DV 990310</b> SPN Mat. 115 <b>FUZ 990038</b> SPN Mat. 104</p>			

## VROULIKE DIERE


Lot	Verkoper	ID	OUERS	Toets	Teelwaarde indekse											LHV	GGV	SGV	Gebruiker Eie Opmerkings
					DIREKTE KALF EIENSKAPPE		DOGTER EIENSKAPPE			GROEI		DOEL	REP	MATES					
		POENA	VADER GV OV	Genomies Getoets	Geb Dir	Speen Dir	Geb Mat	Speen Mat	Volwas- Gewig	Naspeen	GDT	VOV	SO	Hgt	Lgt				
		Gen	MOEDER GV OV	DNS	Akk	Akk	Akk	Akk	Akk	Akk	Akk	Akk	Akk	Akk	Akk	Akk	Akk		
				Geb. dat.	Gew kg	Gew kg	Ind	kg	kg	kg	365d Ind	540d Ind	Ind	Ind	(mm)	(mm)	(mm)		

### Oop Verse


79 C	FUZ BONSMARAS	FUZ 190088 SP	JFE 140097	NS365	<b>110</b>	<b>100</b>	<b>109</b>	<b>99</b>	<b>94</b>	<b>95</b>	<b>95</b>	<b>95</b>	<b>88</b>	<b>100</b>	<b>98</b>	-	
					-0.04	13.4	-0.61	3.5	4.0	18.2	73	-38	-0.1	1	12	5.98	
			FUZ 060046	11.10.19	30	221	91			97	-						
79 D	FUZ BONSMARAS	FUZ 190148 SP	FUZ 160101	NS365	<b>103</b>	<b>111</b>	<b>112</b>	<b>88</b>	<b>103</b>	<b>107</b>	<b>104</b>	<b>102</b>	<b>97</b>	<b>110</b>	<b>109</b>	-	
					0.74	18.4	-0.74	0.6	13.0	27.3	116	-55	7.2	9	28	7.02	
			FUZ 170206	25.10.19	29	203	96			95	-						
79 E	FUZ BONSMARAS	FUZ 190002 SP	FUZ 160065	NS365	<b>116</b>	<b>104</b>	<b>106</b>	<b>93</b>	<b>103</b>	<b>95</b>	<b>105</b>	<b>104</b>	<b>103</b>	<b>96</b>	<b>101</b>	-	
					-0.70	15.5	-0.45	2.0	14.0	18.3	120	-59	12.6	-2	16	5.57	
			FUZ 170040	30.08.19	26	241	110			102	-						
79 F	FUZ BONSMARAS	FUZ 190008 B	FUZ 160065	NS365	<b>128</b>	<b>99</b>	<b>106</b>	<b>105</b>	<b>100</b>	<b>92</b>	<b>108</b>	<b>104</b>	<b>110</b>	<b>103</b>	<b>106</b>	-	
					-1.95	12.9	-0.49	5.3	10.0	16.6	137	-58	18.2	4	22	5.33	
			FUZ 170158	02.09.19	25	248	114			107	-						
80 A	FUZ BONSMARAS	FUZ 190082 SP	FUZ 160101	NS365	<b>116</b>	<b>98</b>	<b>108</b>	<b>95</b>	<b>91</b>	<b>97</b>	<b>96</b>	<b>97</b>	<b>96</b>	<b>109</b>	<b>107</b>	-	
					-0.66	12.7	-0.54	2.5	0.0	19.9	79	-43	6.5	9	24	6.84	
			FUZ 170204	07.10.19	26	224	101			103	-						
80 B	FUZ BONSMARAS	FUZ 190210 SP	MC 120238	NS365	<b>109</b>	<b>91</b>	<b>108</b>	<b>101</b>	<b>87</b>	<b>86</b>	<b>92</b>	<b>94</b>	<b>94</b>	<b>91</b>	<b>97</b>	-	
					0.02	9.2	-0.57	4.2	-4.0	11.8	59	-35	4.6	-6	10	7.45	
			FUZ 080008	26.11.19	31	230	106			103	-						




### Lot 79C

<p><b>FUZ 190088</b> SPN Mat. 99</p>		<p><b>JFE 140097</b> SPN Mat. 107</p> <p><b>FUZ 060046</b> SPN Mat. 90 Oud/Kalw. 13/11 Gem. SI/Kalf 101/11</p> <p>OEK 31 TKP 382 RI 111</p>
<p><b>FCT 080102</b> SPN Mat. 122</p> <p>Elite-Brons</p> <p><b>JFE 110021</b> SPN Mat. 91 Oud/Kalw. 8/7 Gem. SI/Kalf 100/7</p> <p><b>HJB 030038</b> SPN Mat. 99</p> <p><b>FUZ 030014</b> SPN Mat. 76 Oud/Kalw. 10/8 Gem. SI/Kalf 100/8</p> <p>OEK 28 TKP 376</p>	<p><b>FCT 050041</b> SPN Mat. 96</p> <p><b>FCT 050164</b> SPN Mat. 152</p> <p><b>CEF 050400</b> SPN Mat. 81</p> <p><b>JPL 080087</b> SPN Mat. 100</p> <p><b>LAR 960024</b> SPN Mat. 84</p> <p><b>LA 970014</b> SPN Mat. 95</p> <p><b>RCO 980045</b> SPN Mat. 58</p> <p><b>FUZ 000034</b> SPN Mat. 113</p>	


### Lot 79D

<p><b>FUZ 190148</b> SPN Mat. 88</p>		<p><b>FUZ 160101</b> SPN Mat. 101</p> <p><b>FUZ 170206</b> SPN Mat. 74 Oud/Kalw. 2/1 Gem. SI/Kalf 96/1</p> <p>OEK 23 TKP RI 129</p>
<p><b>VV 080374</b> SPN Mat. 101</p> <p><b>FUZ 130180</b> SPN Mat. 104 Oud/Kalw. 6/4 Gem. SI/Kalf 99/4</p> <p><b>FUZ 140077</b> SPN Mat. 91</p> <p><b>FUZ 110160</b> SPN Mat. 70 Oud/Kalw. 7/5 Gem. SI/Kalf 97/5</p> <p>OEK 33 TKP 376</p>	<p><b>VV 050036</b> SPN Mat. 86</p> <p><b>VV 020096</b> SPN Mat. 99</p> <p><b>AG 020263</b> SPN Mat. 67</p> <p><b>FUZ 080026</b> SPN Mat. 145</p> <p><b>FUZ 110049</b> SPN Mat. 82</p> <p><b>FUZ 030018</b> SPN Mat. 97</p> <p><b>CEW 080056</b> SPN Mat. 54</p> <p><b>FUZ 060022</b> SPN Mat. 99</p>	


### Lot 79E

<p><b>FUZ 190002</b> SPN Mat. 93</p>		<p><b>FUZ 160065</b> SPN Mat. 93</p> <p><b>FUZ 170040</b> SPN Mat. 101 Oud/Kalw. 2/1 Gem. SI/Kalf 110/1</p> <p>OEK 24 TKP RI 128</p>
<p><b>FUZ 130029</b> SPN Mat. 86</p> <p><b>FUZ 080036</b> SPN Mat. 109 Oud/Kalw. 12/10 Gem. SI/Kalf 104/9</p> <p><b>LMR 130374</b> SPN Mat. 106</p> <p><b>FUZ 140086</b> SPN Mat. 79 Oud/Kalw. 5/3 Gem. SI/Kalf 100/2</p> <p>OEK 35 TKP 379</p>	<p><b>VV 080374</b> SPN Mat. 101</p> <p><b>FUZ 100016</b> SPN Mat. 80</p> <p><b>HJB 030038</b> SPN Mat. 99</p> <p><b>FUZ 020054</b> SPN Mat. 95</p> <p><b>AG 100008</b> SPN Mat. 94</p> <p><b>LMR 090221</b> SPN Mat. 101</p> <p><b>CEW 080056</b> SPN Mat. 54</p> <p><b>FUZ 090038</b> SPN Mat. 86</p>	


### Lot 79F

<p><b>FUZ 190008</b> SPN Mat. 105</p>		<p><b>FUZ 160065</b> SPN Mat. 93</p> <p><b>FUZ 170158</b> SPN Mat. 126 Oud/Kalw. 2/1 Gem. SI/Kalf 114/1</p> <p>OEK 22 TKP RI 133</p>
<p><b>FUZ 130029</b> SPN Mat. 86</p> <p><b>FUZ 080036</b> SPN Mat. 109 Oud/Kalw. 12/10 Gem. SI/Kalf 104/9</p> <p><b>FUZ 140113</b> SPN Mat. 110</p> <p><b>FUZ 150004</b> SPN Mat. 125 Oud/Kalw. 3/2 Gem. SI/Kalf 119/2</p> <p>OEK 35 TKP 379</p>	<p><b>VV 080374</b> SPN Mat. 101</p> <p><b>FUZ 100016</b> SPN Mat. 80</p> <p><b>HJB 030038</b> SPN Mat. 99</p> <p><b>FUZ 020054</b> SPN Mat. 95</p> <p><b>FUZ 090081</b> SPN Mat. 89</p> <p><b>FUZ 050054</b> SPN Mat. 123</p> <p><b>VV 080374</b> SPN Mat. 101</p> <p><b>FUZ 120070</b> SPN Mat. 104</p>	

### Lot 80A

<p><b>FUZ 190082</b> SPN Mat. 95</p>		<p><b>FUZ 160101</b> SPN Mat. 101</p> <p><b>FUZ 170204</b> SPN Mat. 90 Oud/Kalw. 3/2 Gem. SI/Kalf 101/1</p> <p>OEK 23 TKP 516 RI 116</p>
<p><b>VV 080374</b> SPN Mat. 101</p> <p><b>FUZ 130180</b> SPN Mat. 104 Oud/Kalw. 6/4 Gem. SI/Kalf 99/4</p> <p><b>ABB 120321</b> SPN Mat. 96</p> <p><b>FUZ 130218</b> SPN Mat. 86 Oud/Kalw. 5/3 Gem. SI/Kalf 102/2</p> <p>OEK 33 TKP 399</p>	<p><b>VV 050036</b> SPN Mat. 86</p> <p><b>VV 020096</b> SPN Mat. 99</p> <p><b>AG 020263</b> SPN Mat. 67</p> <p><b>FUZ 080026</b> SPN Mat. 145</p> <p><b>JPL 040065</b> SPN Mat. 119</p> <p><b>JJC 050042</b> SPN Mat. 107</p> <p><b>CEW 080056</b> SPN Mat. 54</p> <p><b>FUZ 060142</b> SPN Mat. 106</p>	

### Lot 80B

<p><b>FUZ 190210</b> SPN Mat. 101</p>		<p><b>MC 120238</b> SPN Mat. 111</p> <p><b>FUZ 080008</b> SPN Mat. 97 Oud/Kalw. 11/9 Gem. SI/Kalf 100/9</p> <p>OEK 36 TKP 376 RI 108</p>
<p><b>CEW 080025</b> SPN Mat. 126</p> <p><b>LMR 080159</b> SPN Mat. 68 Oud/Kalw. 12/10 Gem. SI/Kalf 96/9</p> <p><b>HJB 020223</b> SPN Mat. 91</p> <p><b>FUZ 050046</b> SPN Mat. 97 Oud/Kalw. 8/6 Gem. SI/Kalf 95/6</p> <p>OEK 28 TKP 401</p>	<p><b>AG 020251</b> SPN Mat. 121</p> <p><b>CEF 020146</b> SPN Mat. 111</p> <p><b>LMR 030096</b> SPN Mat. 44</p> <p><b>PMB 020084</b> SPN Mat. 98</p> <p><b>GB 920056</b> SPN Mat. 111</p> <p><b>HJB 990118</b> SPN Mat. 92</p> <p><b>AG 940196</b> SPN Mat. 87</p> <p><b>FUZ 930054</b> SPN Mat. 117</p>	

## FEMALE ANIMALS


Lot	Seller	ID	PARENTS		Test	Breeding Value Indexes											R:	Breeder Own Remarks		
			SIRE	PV		Birth Dir	Wean Dir	Birth Mat	Wean Mat	Mat Wgt	Post Wean	ADG	FCR	SC	Hgt	Lgt				
POLLED	Gen	DAM	PV	Genomic Tested	DNA	Acc	Acc	Acc	Acc	Acc	Acc	Acc	Acc	Acc	Acc	Acc	Acc		Acc	LHR
				Birth Date	Wgt kg	Wgt kg	Ind	kg	kg	kg	365d Ind	540d Ind	Ind	Ind	(mm)	(mm)	(mm)			
<b>Open Heifers</b>																				
80 C	FUZ BONSMARAS	FUZ 190006	SP	FUZ 160007	PW365	<b>124</b>	<b>96</b>	<b>103</b>	<b>88</b>	<b>97</b>	<b>93</b>	<b>100</b>	<b>98</b>	<b>102</b>	<b>94</b>	<b>99</b>	-			
						-1.50	11.5	-0.31	0.6	7.0	16.9	98	-46	11.8	-4	12	7.32			
				FUZ 170176	02.09.19	26	221	100		98	-									
80 D	FUZ BONSMARAS	FUZ 190060	B	CEF 150536	PW365	<b>122</b>	<b>89</b>	<b>105</b>	<b>97</b>	<b>91</b>	<b>91</b>	<b>97</b>	<b>107</b>	<b>94</b>	<b>94</b>	<b>96</b>	-			
						-1.33	8.3	-0.44	3.2	0.0	15.6	85	-66	4.8	-4	9	7.32			
				FUZ 170124	03.10.19	27	225	101		104	-									
80 E	FUZ BONSMARAS	FUZ 190090	SP	FUZ 160101	PW365	<b>122</b>	<b>85</b>	<b>104</b>	<b>104</b>	<b>92</b>	<b>84</b>	<b>92</b>	<b>94</b>	<b>97</b>	<b>100</b>	<b>101</b>	-			
						-1.30	6.4	-0.36	5.1	1.0	10.6	61	-37	7.3	1	15	7.53			
				FUZ 170138	11.10.19	29	216	96		92	-									

1.02	13.5	-0.19	3.9	10	22	97	-50	9.8	1	14
------	------	-------	-----	----	----	----	-----	-----	---	----

**Lot 80C**

**FUZ 190006**  
SPN Mat. 88

**FUZ 160007**  
SPN Mat. 91



**FUZ 170176**  
AFC 22 SPN Mat. 86  
ICP Age/Calv. 2/1  
RI 133 Avg. WI/Calf 100/1

**FUZ 130051**  
SPN Mat. 88

**FUZ 130024**  
AFC 35 SPN Mat. 101  
ICP 381 Age/Calv. 6/4  
Avg. WI/Calf 100/3

**FUZ 140059**  
SPN Mat. 84


**FUZ 150080**  
AFC 25 SPN Mat. 92  
ICP 366 Age/Calv. 3/2  
Avg. WI/Calf 107/2

**HJB 020223**  
SPN Mat. 91  
**FUZ 100128**  
SPN Mat. 86  
**VV 080374**  
SPN Mat. 101  
**FUZ 100078**  
SPN Mat. 97  
**LPS 060117**  
SPN Mat. 70  
**FUZ 090040**  
SPN Mat. 82  
**FUZ 120061**  
SPN Mat. 92  
**FUZ 110172**  
SPN Mat. 88

**Lot 80D**

**FUZ 190060**  
SPN Mat. 97

**CEF 150536**  
SPN Mat. 97



**FUZ 170124**  
AFC 24 SPN Mat. 99  
ICP Age/Calv. 2/1  
RI 129 Avg. WI/Calf 101/1

**CEF 100304**  
SPN Mat. 99

**CEF 090242**  
AFC 29 SPN Mat. 100  
ICP 391 Age/Calv. 9/7  
Avg. WI/Calf 108/6

**FUZ 130014**  
AFC 36 SPN Mat. 95  
ICP 399 Age/Calv. 5/3  
Avg. WI/Calf 101/2


**CEF 080025**  
SPN Mat. 126  
**CEF 070151**  
SPN Mat. 109  
**CEF 060473**  
SPN Mat. 103  
**CEF 070130**  
SPN Mat. 69

SPN Mat.  
SPN Mat.  
SPN Mat. 91  
**HJB 020223**  
**FUZ 100118**  
SPN Mat. 86

**Lot 80E**

**FUZ 190090**  
SPN Mat. 104

**FUZ 160101**  
SPN Mat. 101



**FUZ 170138**  
AFC 24 SPN Mat. 105  
ICP 396 Age/Calv. 3/2  
RI 122 Avg. WI/Calf 96/1

**VV 080374**  
SPN Mat. 101

**FUZ 130180**  
AFC 33 SPN Mat. 104  
ICP 376 Age/Calv. 6/4  
Avg. WI/Calf 99/4

**FUZ 140117**  
SPN Mat. 111

**FUZ 130016**  
AFC 37 SPN Mat. 109  
ICP 386 Age/Calv. 6/4  
Avg. WI/Calf 103/3

**VV 050036**  
SPN Mat. 86  
**VV 020096**  
SPN Mat. 99  
**AG 020263**  
SPN Mat. 67  
**FUZ 080026**  
SPN Mat. 145  
**FUZ 110185**  
SPN Mat. 85  
**FUZ 080026**  
SPN Mat. 145  
**HJB 020223**  
SPN Mat. 91  
**FUZ 100116**  
SPN Mat. 123


## VROULIKE DIERE

Lot	Verkoper	ID	POENA	Gen	Ouers		Toets	Teelwaarde indekse										Kalf ID	Gebruiker Eie Opmerkings	
					VADER GV OV	MOEDER GV OV		Genomies Getoets	DNS	Geb Dir	Speen Dir	Geb Mat	Speen Mat	Volwas- Gewig	Naspeen	GDT	VOV			SO
					Geb. dat.	Gew kg	Gew kg	Ind	kg	kg	kg	365dM	540d Ind	Ind	Ind	(mm)	(mm)	(mm)	GT / POLLED	


### Koeie met Kalwers

81 A	FUZ BONSMARAS	FUZ 080028	SP	HJB 030038	NS540	<b>91</b>	<b>98</b>	<b>57</b>	<b>108</b>	<b>103</b>	<b>97</b>	<b>105</b>	<b>98</b>	<b>100</b>	<b>116</b>	<b>107</b>	-	BONMFUZ 210069	
						1.98	12.5	1.75	6.0	13.0	20.0	121	-45	10.0	14	24	-	11.01.21 (49)	
				FUZ 040134	27.09.08	28													
81 B	FUZ BONSMARAS	FUZ 100082	SP	EI 010200	NS540	<b>82</b>	<b>102</b>	<b>101</b>	<b>120</b>	<b>116</b>	<b>102</b>	<b>88</b>	<b>91</b>	<b>99</b>	<b>97</b>	<b>98</b>	-	BONMFUZ 200053	
						2.94	14.5	-0.23	9.5	27.0	23.6	40	-29	9.3	-1	12	-	20.11.20 (46)	
				FUZ 060138	26.10.10	33													
81 C	FUZ BONSMARAS	FUZ 090144	SP	DDJ 040034	NS540	<b>101</b>	<b>81</b>	<b>134</b>	<b>100</b>	<b>96</b>	<b>80</b>	<b>94</b>	<b>95</b>	<b>93</b>	<b>96</b>	<b>92</b>	-	BONFFUZ 200238	
						0.94	4.7	-1.74	4.0	5.0	8.0	68	-39	3.8	-2	3	-	12.01.20 (34)	
				FUZ 040136	29.11.09	36													
82 A	FUZ BONSMARAS	FUZ 080036	SP	HJB 030038	NS540	<b>107</b>	<b>90</b>	<b>82</b>	<b>109</b>	<b>90</b>	<b>85</b>	<b>106</b>	<b>100</b>	<b>102</b>	<b>100</b>	<b>98</b>	-	BONFFUZ 200060	
						0.28	8.8	0.65	6.3	-1.0	11.2	124	-51	11.5	1	12	-	28.12.20 (42)	
				FUZ 020054	01.10.08	39													
82 B	FUZ BONSMARAS	FUZ 080026	SP	EI 010200	NS540	<b>83</b>	<b>101</b>	<b>118</b>	<b>145</b>	<b>118</b>	<b>97</b>	<b>103</b>	<b>99</b>	<b>101</b>	<b>119</b>	<b>116</b>	-	BONFFUZ 200026	
						2.77	13.8	-1.01	16.4	30.0	19.8	113	-48	10.4	17	37	-	17.10.20 (36)	
				FUZ 030074	27.09.08	38													
82 C	FUZ BONSMARAS	FUZ 100078	SP	HJB 020223	NS540	<b>123</b>	<b>93</b>	<b>111</b>	<b>97</b>	<b>94</b>	<b>90</b>	<b>101</b>	<b>97</b>	<b>105</b>	<b>104</b>	<b>105</b>	-	BONFFUZ 200006	
						-1.44	10.3	-0.71	3.0	4.0	14.5	103	-43	13.7	5	21	-	26.09.20 (35)	
				FUZ 050022	24.10.10	29													


### Lot 81A

<p><b>FUZ 080028</b> SPN Mat. 108 OEK 30 TKP 396 RI 109 Oud/Kalw. 12/10 Gem. Si/Kalf 99/9</p>	<p><b>HJB 030038</b> SPN Mat. 99</p>  <p>Elite-Goud</p>	<p><b>LAR 960024</b> SPN Mat. 84</p> <p><b>LA 970014</b> OEK 33 SPN Mat. 95 TKP 442 Oud/Kalw. 9/6 Gem. Si/Kalf 97/5</p> <p><b>DV 990310</b> SPN Mat. 115 Silver</p> <p><b>FUZ 990046</b> OEK 38 SPN Mat. 126 TKP 369 Oud/Kalw. 5/3 Gem. Si/Kalf 107/3</p>	<p><b>AG 920097</b> SPN Mat. 49 <b>LAR L 0028</b> SPN Mat. 102 <b>GB 920056</b> SPN Mat. 111 <b>LA 900102</b> SPN Mat. 92 <b>RCO 950179</b> SPN Mat. 123 <b>DV 970028</b> SPN Mat. 87 <b>FUZ 930143</b> SPN Mat. 125 <b>FUZ 0412</b> SPN Mat. 117</p>
---	--	---	---


### Lot 81B

<p>Elite-Silwer <b>FUZ 100082</b> SPN Mat. 120 OEK 34 TKP 375 RI 109 Oud/Kalw. 10/8 Gem. Si/Kalf 109/7</p>	<p><b>EI 010200</b> SPN Mat. 103</p> 	<p><b>EI 980080</b> SPN Mat. 88</p> <p><b>EI 950117</b> OEK 32 SPN Mat. 109 TKP 484 Oud/Kalw. 16/11 Gem. Si/Kalf 100/8</p> <p><b>RCO 980045</b> SPN Mat. 58</p> <p><b>FUZ 060138</b> OEK 34 SPN Mat. 98 TKP 379 Oud/Kalw. 4/2 RI 101 Gem. Si/Kalf 103/2</p>	<p><b>BG 960125</b> SPN Mat. 101 <b>EI 950140</b> SPN Mat. 101 <b>EI 920079</b> SPN Mat. 128 <b>EI 900085</b> SPN Mat. 96 <b>AG J 0008</b> SPN Mat. 88 <b>RCO 950152</b> SPN Mat. 80 <b>AG 940196</b> SPN Mat. 87 <b>FUZ 950094</b> SPN Mat. 115</p>
--	--	---	--


### Lot 81C

<p><b>FUZ 090144</b> SPN Mat. 100 OEK 34 TKP 380 RI 109 Oud/Kalw. 10/8 Gem. Si/Kalf 97/8</p>	<p><b>DDJ 040034</b> SPN Mat. 129</p> 	<p><b>BFB 000032</b> SPN Mat. 107</p> <p><b>JH 940027</b> OEK 29 SPN Mat. 124 TKP 404 Oud/Kalw. 15/12 Gem. Si/Kalf 103/12</p> <p><b>EI 010200</b> SPN Mat. 103</p> <p><b>FUZ 000106</b> OEK 36 SPN Mat. 96 TKP 388 Oud/Kalw. 11/9 Gem. Si/Kalf 105/9</p>	<p><b>CX N 0163</b> SPN Mat. 75 <b>IVY 910155</b> SPN Mat. 111 <b>JH L 0253</b> SPN Mat. 129 <b>JH J 0091</b> SPN Mat. 121 <b>EI 980080</b> SPN Mat. 88 <b>EI 950117</b> SPN Mat. 109 <b>LDW 920204</b> SPN Mat. 91 <b>FUZ 900050</b> SPN Mat. 106</p>
--	---	--	--


### Lot 82A

<p><b>FUZ 080036</b> SPN Mat. 109 OEK 35 TKP 379 RI 109 Oud/Kalw. 12/10 Gem. Si/Kalf 104/9</p>	<p><b>HJB 030038</b> SPN Mat. 99</p> 	<p><b>LAR 960024</b> SPN Mat. 84</p> <p><b>LA 970014</b> OEK 33 SPN Mat. 95 TKP 442 Oud/Kalw. 9/6 Gem. Si/Kalf 97/5</p> <p><b>FUZ 930143</b> SPN Mat. 125</p> <p><b>FUZ 020054</b> OEK 35 SPN Mat. 95 TKP 376 Oud/Kalw. 8/6 RI 108 Gem. Si/Kalf 94/6</p> <p><b>FUZ 930008</b> OEK 37 SPN Mat. 77 TKP 368 Oud/Kalw. 11/9 Gem. Si/Kalf 94/9</p>	<p><b>AG 920097</b> SPN Mat. 49 <b>LAR L 0028</b> SPN Mat. 102 <b>GB 920056</b> SPN Mat. 111 <b>LA 900102</b> SPN Mat. 92 <b>LDW 900020</b> SPN Mat. 116 <b>LDW 900160</b> SPN Mat. 91 <b>PHR K 0054</b> SPN Mat. 82 <b>FUZ 900022</b> SPN Mat. 107</p>
--	--	---	---

### Lot 82B

<p>Elite-Goud <b>FUZ 080026</b> SPN Mat. 145 OEK 37 TKP 366 RI 110 Oud/Kalw. 12/10 Gem. Si/Kalf 112/8</p>	<p><b>EI 010200</b> SPN Mat. 103</p> 	<p><b>EI 980080</b> SPN Mat. 88</p> <p><b>EI 950117</b> OEK 32 SPN Mat. 109 TKP 484 Oud/Kalw. 16/11 Gem. Si/Kalf 100/8</p> <p><b>FUZ 930143</b> SPN Mat. 125</p> <p><b>FUZ 030074</b> OEK 35 SPN Mat. 144 TKP 368 Oud/Kalw. 8/6 RI 109 Gem. Si/Kalf 108/5</p> <p><b>FUZ 970122</b> OEK 35 SPN Mat. 111 TKP 369 Oud/Kalw. 12/10 Gem. Si/Kalf 103/10</p>	<p><b>BG 960125</b> SPN Mat. 101 <b>EI 950140</b> SPN Mat. 101 <b>EI 920079</b> SPN Mat. 128 <b>EI 900085</b> SPN Mat. 96 <b>LDW 900020</b> SPN Mat. 116 <b>LDW 900160</b> SPN Mat. 91 <b>LDW 900135</b> SPN Mat. 102 <b>FUZ N 0268</b> SPN Mat. 97</p>
---	--	--	---

### Lot 82C

<p><b>FUZ 100078</b> SPN Mat. 97 OEK 35 TKP 367 RI 110 Oud/Kalw. 10/8 Gem. Si/Kalf 100/6</p>	<p><b>HJB 020223</b> SPN Mat. 91</p> 	<p><b>GB 920056</b> SPN Mat. 111</p> <p><b>HJB 990118</b> OEK 29 SPN Mat. 92 TKP 378 Oud/Kalw. 12/10 Gem. Si/Kalf 104/10</p> <p><b>EI 010200</b> SPN Mat. 103</p> <p><b>FUZ 020076</b> OEK 35 SPN Mat. 121 TKP 375 Oud/Kalw. 6/4 Gem. Si/Kalf 106/3</p>	<p><b>GB N 0004</b> SPN Mat. 114 <b>GB K 0032</b> SPN Mat. 93 <b>AG 920282</b> SPN Mat. 113 <b>HES 960157</b> SPN Mat. 98 <b>EI 980080</b> SPN Mat. 88 <b>EI 950117</b> SPN Mat. 109 <b>FUZ 930143</b> SPN Mat. 125 <b>FUZ 980134</b> SPN Mat. 100</p>
--	--	---	--