



Fourie Scheepers
ZINABOS BONSMARA



32^{ste}

PRODUKSIEVEILING

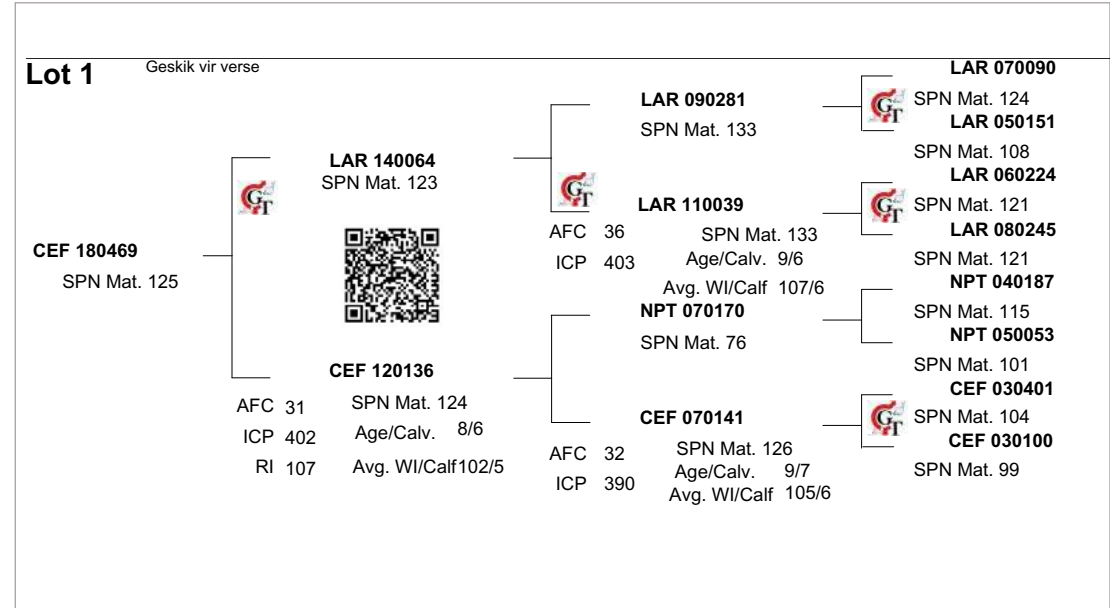
KATALOGUS

Vrydag, 6 Augustus 2021, 11:00 • Plaas Hoogland, Fouriesburg





LOT 1: CEF 18-0469 | ZINABOS BONSMARAS



KLIK HIER VIR VIDEO

Lot	Seller	ID	PARENTS	Test	DIRECT CALF TRAITS		DAUGHTER TRAITS			GROWTH		EFF.	REP	MEASUREMENTS			R:								
					Progeny Birth Weight	Progeny Wean Weight	Ease of Calving	Milk prod.	Mature Weight	Post Wean Weight	Daily Gain			Feed Conv.	Height & Length										
					Breeding Value Indexes												Semen Users	Breeder Own Remarks							
Lot	Seller	ID	POLLED	Gen	SIRE	GV	PV	Genomic Tested	DNA	Birth Dir	Wean Dir	Birth Mat	Wean Mat	Mat Wgt	Post Wean	ADG			FCR	SC	Hgt	Lgt	LHR	BWR	WWR

BULLS

1	P.F. SCHEEPERS	CEf 180469	LAR 140064	GT	117	100	84	125	117	109	119	103	111	105	111	1.21	Gesik vir verse
			SP	DNA	-0.76	13.6	0.55	10.8	29.0	28.2	187	-54	18.6	5	30	6.42	
				CEf 120136	26.08.18	77	73	55	57	40	63	70	47	76	78	75	
					34	264	97			-	110	-	344	1181	1431	47.5	



LOT 4: CEF 15-0315 | ZINABOS BONSMARAS



Lot 4 Behou een mede eienaarskap
Gebruik in kudde

CEF 150315
SPN Mat. 105
Silver

CEF 100304
SPN Mat. 99

Elite-Gold
CEF 050121
AFC 31 SPN Mat. 96
ICP 363 Age/Calv. 12/10
RI 114 Avg. Wl/Calv 99/10

CEF 080025
SPN Mat. 127

CEF 070151
AFC 31 SPN Mat. 109
ICP 388 Age/Calv. 13/11
Avg. Wl/Calv 102/10

CEF 010375
SPN Mat. 100

CEF 960097
AFC 32 SPN Mat. 96
ICP 383 Age/Calv. 10/8
Avg. Wl/Calv 103/8

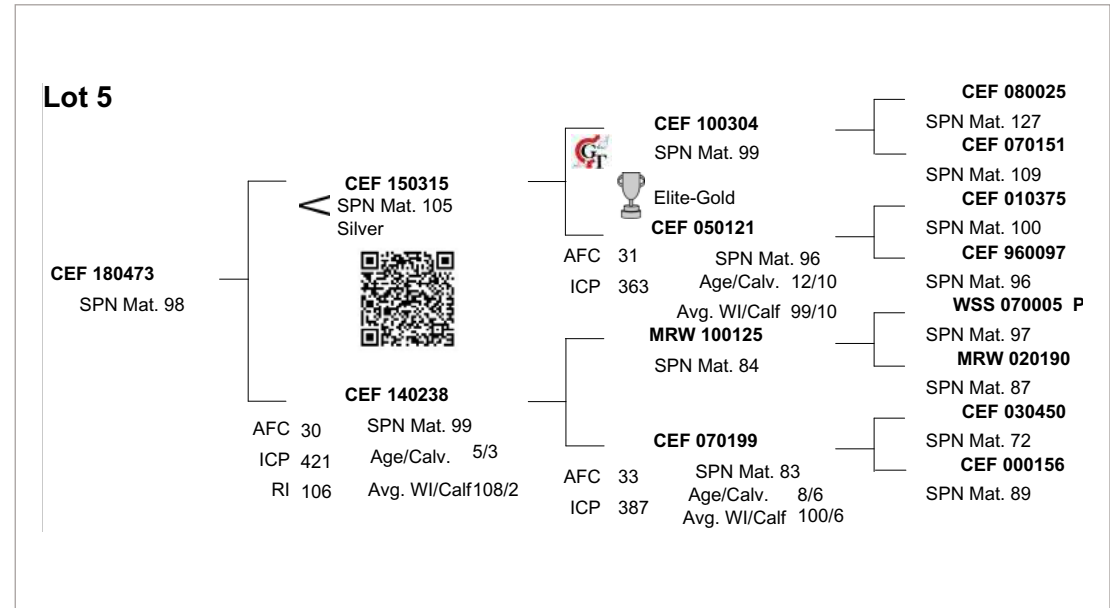
AG 020251
SPN Mat. 121
CEF 020146
SPN Mat. 110
CEF 040415
SPN Mat. 95
CEF 030096
SPN Mat. 120
CEF 950270
SPN Mat. 109
CEF 960086
SPN Mat. 95
LA 910155
SPN Mat. 66
CEF 910087
SPN Mat. 106

**KLIK HIER
VIR VIDEO**

Lot	Seller	ID	PARENTS		Test	Breeding Value Indexes										LHR	BWR	WWR	Semens Users	Breeder Own Remarks
			SIRE	PV		Birth Dir	Wean Dir	Birth Mat	Wean Mat	Mat Wgt	Post Wean	ADG	FCR	SC	Hgt					
			DAM	PV	DNA	Acc	Acc	Acc	Acc	Acc	Acc	Acc	Acc	Acc	Acc	Acc	Acc	Acc	Acc	
			Gen		Birth Date	Wgt kg	Wgt kg	Ind	kg	kg	kg	365d Ind	540d Ind	Ind	Ind	(mm)	(mm)	(mm)		
4	P.F. SCHEEPERS	CEF 150315	CEF 100304		C32	69	116		112	105	114	109	112	112	87	101	109	1.23		
					DNA	4.24	20.7	-0.72	5.2	26.0	28.3	152	-71	-0.3	2	27	7.19			
		SP	CEF 050121	03.03.15	40	196	95				-		125	117	326	1149	1419	38.1		
Behou een mede eienaarskap ;Gebruik in kudde																				



LOT 5: CEF 18-0473 | ZINABOS BONSMARAS



**KLIK HIER
VIR VIDEO**

Lot	Seller	ID	PARENTS		Test	Breeding Value Indexes										LHR	BWR	WWR	Semen Users	Breeder Own Remarks
			SIRE	PV		Birth Dir	Wean Dir	Birth Mat	Wean Mat	Mat Wgt	Post Wean	ADG	FCR	SC	Hgt					
			DAM	PV	DNA	Acc	Acc	Acc	Acc	Acc	Acc	Acc	Acc	Acc	Acc	Acc	Acc	Acc	Acc	
			Gen		Birth Date	Wgt kg	Wgt kg	Ind	kg	kg	kg	365d Ind	540d Ind	Ind	Ind	(mm)	(mm)	(mm)		
5	P.F. SCHEEPERS	CEF 180473	CEF 150315	GT	GT	69	130	94	98	127	126	122	109	87	111	114	1.2			
						4.24	27.1	0.09	3.5	40.0	40.9	202	-66	-0.2	11	34	7.44			
			CEF 140238	01.09.18	38	281	117	-	-	131	-	309	1194	1434	53.6					



LOT 6: CEF 17-0445 | ZINABOS BONSMARAS



Lot 6 Behou een mede eienaarskap
Gebruik in kudde
Versbul

CEF 170445
SPN Mat. 114

CEF 130548
SPN Mat. 148

CEF 120040
AFC 29 SPN Mat. 82
ICP 407 Age/Calv. 9/7
RI 108 Avg. WI/Calf 96/6

GJN 100238
SPN Mat. 109

Elite-Silver
CEF 110046
AFC 30 SPN Mat. 135
ICP 392 Age/Calv. 10/8
Avg. WI/Calf 109/7

CEF 080426
SPN Mat. 66

CEF 080177
AFC 30 SPN Mat. 106
ICP 388 Age/Calv. 6/4
Avg. WI/Calf 102/4

WAT 070090
SPN Mat. 119
GJN 080116
SPN Mat. 95
CEF 080435
SPN Mat. 94
CEF 080110
SPN Mat. 132
CEF 040460
SPN Mat. 101
CEF 000050
SPN Mat. 110
CEF 030447
SPN Mat. 97
CEF 050045
SPN Mat. 98

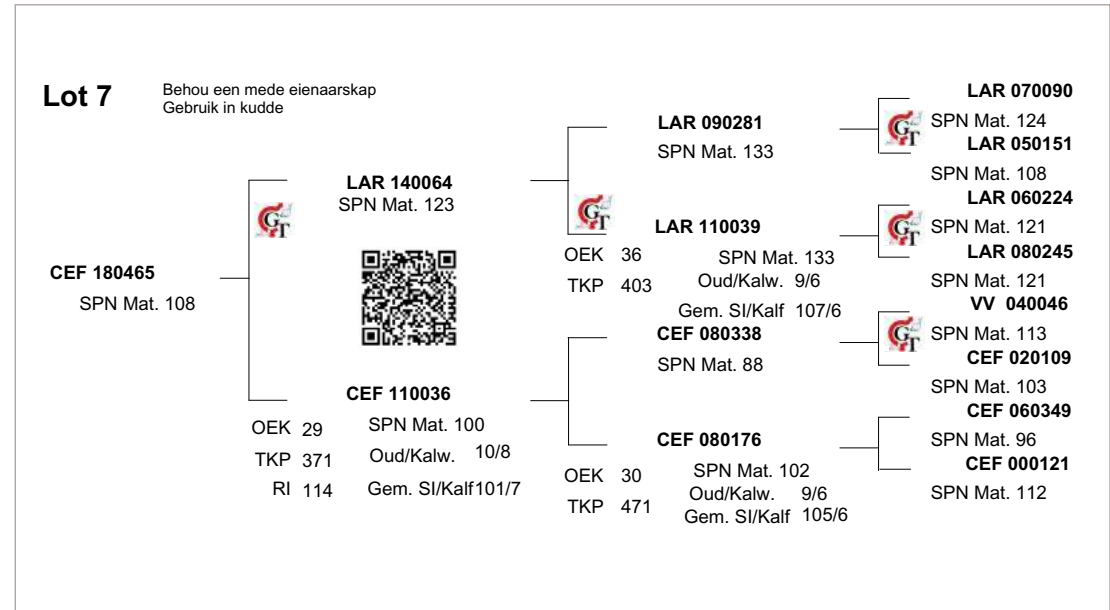
**KLIK HIER
VIR VIDEO**

Lot	Seller	ID	PARENTS	Test	DIRECT CALF TRAITS			DAUGHTER TRAITS			GROWTH		EFF.	REP	MEASURE-MENTS			R:	Semens Users	Breeder Own Remarks	
					Progeny Birth Weight	Progeny Wean Weight	Ease of Calving	Milk prod.	Mature Weight	Post Wean Weight	Daily Gain	Feed Conv			Height & Length						
					Breeding Value Indexes																
Lot	Seller	ID	SIRE GV PV	DAM GV PV	Genomic Tested DNA	Birth Dir Acc	Wean Dir Acc	Birth Mat Acc	Wean Mat Acc	Mat Wgt Acc	Post Wean Acc	ADG Acc	FCR Acc	SC Acc	Hgt Acc	Lgt Acc	LHR	BWR	WWR	Breeder Own Remarks	
																					Birth Date
6	P.F. SCHEEPERS	CEF 170445	CEF 130548	GT		123	108	104	114	107	109	90	90	100	86	99	1.22				Behou een mede eienaarskap ;Gebruik in kudde ;Versbul
			CEF 120040	DNA		-1.37 94	17.2 87	-0.37 58	7.9 62	18.0 52	28.9 71	50 72	-25 28	10.0 79	-10 80	13 78	6.14				
		SP		13.08.17		34	234	95			-	90	-	366	1155	1414	40.3				

BULLS



LOT 7: CEF 18-0465 | ZINABOS BONSMARAS



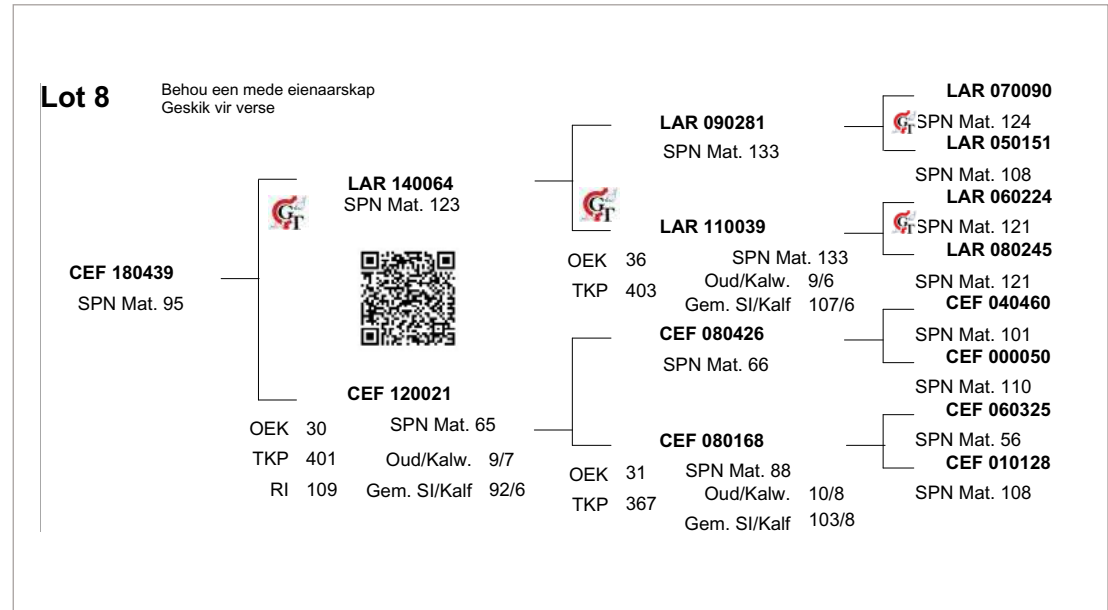
**KLIK HIER
VIR VIDEO**

Lot	Seller	ID	PARENTS	Test	DIRECT CALF TRAITS			DAUGHTER TRAITS			GROWTH		EFF.	REP	MEASURE-MENTS			R:	Semens Users	Breeder Own Remarks		
					Progeny Birth Weight	Progeny Wean Weight	Ease of Calving	Milk prod.	Mature Weight	Post Wean Weight	Daily Gain	Feed Conv			Height & Length							
					Breeding Value Indexes																	
Lot	Seller	ID	SIRE GV PV	DAM GV PV	Genomic Tested DNA	Birth Dir Acc	Wean Dir Acc	Birth Mat Acc	Wean Mat Acc	Mat Wgt Acc	Post Wean Acc	ADG Acc	FCR Acc	SC Acc	Hgt Acc	Lgt Acc	LHR	BWR	WWR	Users	Breeder Own Remarks	
																						Birth Date
7	P.F. SCHEEPERS	CEf 180465	LAR 140064	SP	GT	93	125	88	108	140	128	123	111	113	103	113	1.22					
			CEf 110036		DNS	1.71	25.0	0.35	6.1	54.0	42.2	205	-71	20.4	3	33						
					23.08.18	81	74	56	58	42	63	68	47	75	76	74	7.52					
						37	297	109			-	106	-	353	1180	1439	45.3					Behou een mede eienaarskap ;Gebruik in kudde

BULLS



LOT 8: CEF 18-0439 | ZINABOS BONSMARAS

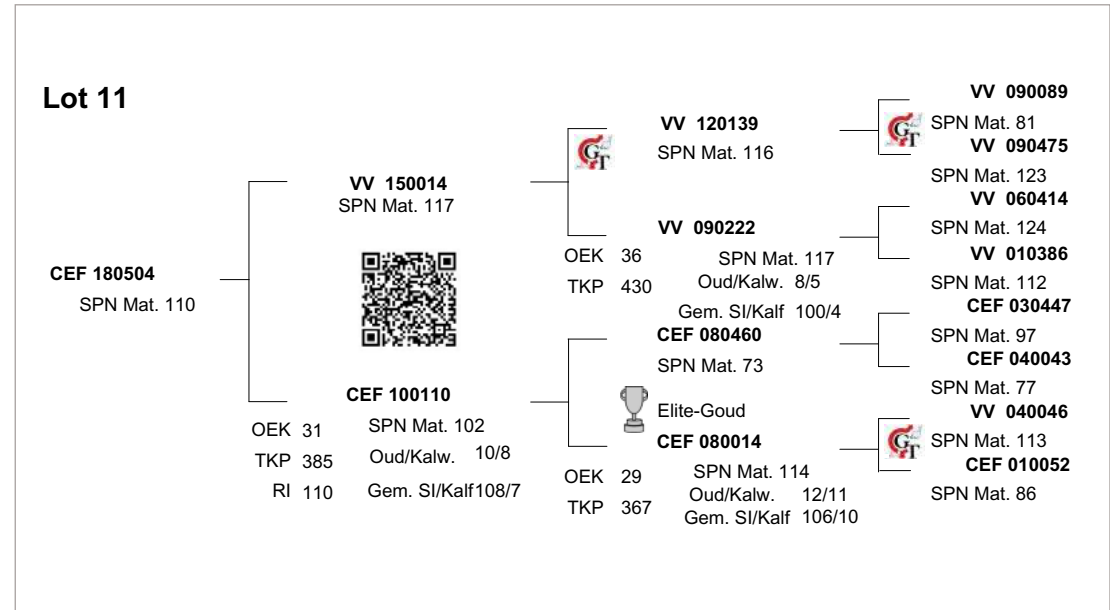


**KLIK HIER
VIR VIDEO**

Lot	Seller	ID	PARENTS	Test	DIRECT CALF TRAITS					DAUGHTER TRAITS			GROWTH		EFF.	REP	MEASURE-MENTS			R:	Breeder Own Remarks
					Progeny Birth Weight	Progeny Wean Weight	Ease of Calving	Milk prod.	Mature Weight	Post Wean Weight	Daily Gain	Feed Conv	Height & Length								
Breeding Value Indexes																					
Lot	Seller	ID	PARENTS	Test	Birth Dir	Wean Dir	Birth Mat	Wean Mat	Mat Wgt	Post Wean	ADG	FCR	SC	Hgt	Lgt	LHR	BWR	WWR	Semen Users	Breeder Own Remarks	
																					Genomic Tested
Breeding Value Indexes																					
Lot	Seller	ID	PARENTS	Test	Birth Dir	Wean Dir	Birth Mat	Wean Mat	Mat Wgt	Post Wean	ADG	FCR	SC	Hgt	Lgt	LHR	BWR	WWR	Semen Users	Breeder Own Remarks	
																					Genomic Tested
Breeding Value Indexes																					
Lot	Seller	ID	PARENTS	Test	Birth Dir	Wean Dir	Birth Mat	Wean Mat	Mat Wgt	Post Wean	ADG	FCR	SC	Hgt	Lgt	LHR	BWR	WWR	Semen Users	Breeder Own Remarks	
																					Genomic Tested
Breeding Value Indexes																					
Lot	Seller	ID	PARENTS	Test	Birth Dir	Wean Dir	Birth Mat	Wean Mat	Mat Wgt	Post Wean	ADG	FCR	SC	Hgt	Lgt	LHR	BWR	WWR	Semen Users	Breeder Own Remarks	
																					Genomic Tested
Breeding Value Indexes																					
8	P.F. SCHEEPERS	CEf 180439	LAR 140064	GT	101	105	95	95	117	106	106	96	101	100	100	1.2					
			CEf 120021	DNS	0.92	15.9	0.04	2.6	29.0	26.0	125	-37	10.4	1	15						
		SP		18.08.18	77	74	55	58	44	62	69	48	76	77	75	6.88					
					39	247	93			-	104	-	341	1187	1427	39.2					
																				Behou een mede eienaarskap ;Gesik vir verse	



LOT 11: CEF 18-0504 | ZINABOS BONSMARAS



**KLIK HIER
VIR VIDEO**

Lot	Seller	ID	PARENTS	Test	DIRECT CALF TRAITS		DAUGHTER TRAITS			GROWTH		EFF.	REP	MEASUREMENTS			R:	Breeder Own Remarks				
					Progeny Birth Weight	Progeny Wean Weight	Ease of Calving	Milk prod.	Mature Weight	Post Wean Weight	Daily Gain			Feed Conv	Height & Length							
					Breeding Value Indexes												Semen Users					
Lot	Seller	ID	POLLED	Gen	SIRE GV PV	Genomic Tested DNA	Birth Dir Acc	Wean Dir Acc	Birth Mat Acc	Wean Mat Acc	Mat Wgt Acc	Post Wean Acc	ADG Acc	FCR Acc	SC Acc	Hgt Acc			Lgt Acc	LHR	BWR	WWR
11	P.F. SCHEEPERS	CEF 180504	VV 150014	GT	113	116	98	110	102	128	127	108	123	104	124	1.23						
			CEF 100110		-0.35 77	20.9 73	-0.09 52	6.8 54	12.0 44	41.7 58	226 66	-64 37	28.3 75	5 76	48 73	6.53						
		SP		20.09.18	35	275	107			-	116	-	349	1182	1455	48.1						



LOT 14: CEF 18-0311 | ZINABOS BONSMARAS



Lot 14 Behou een mede eienaarskap
Gebruik in kudde

CEF 180311
SPN Mat. 92

CEF 140440
SPN Mat. 84

CEF 140095
AFC 32 SPN Mat. 104
ICP 358 Age/Calv. 7/5
RI 112 Avg. Wl/Calv 95/4

CEF 100304
SPN Mat. 99

CEF 050145
AFC 34 SPN Mat. 68
ICP 376 Age/Calv. 15/13
Avg. Wl/Calv 97/12

CEF 120459
SPN Mat. 130

CEF 120053
AFC 28 SPN Mat. 94
ICP 365 Age/Calv. 8/7
Avg. Wl/Calv 100/7

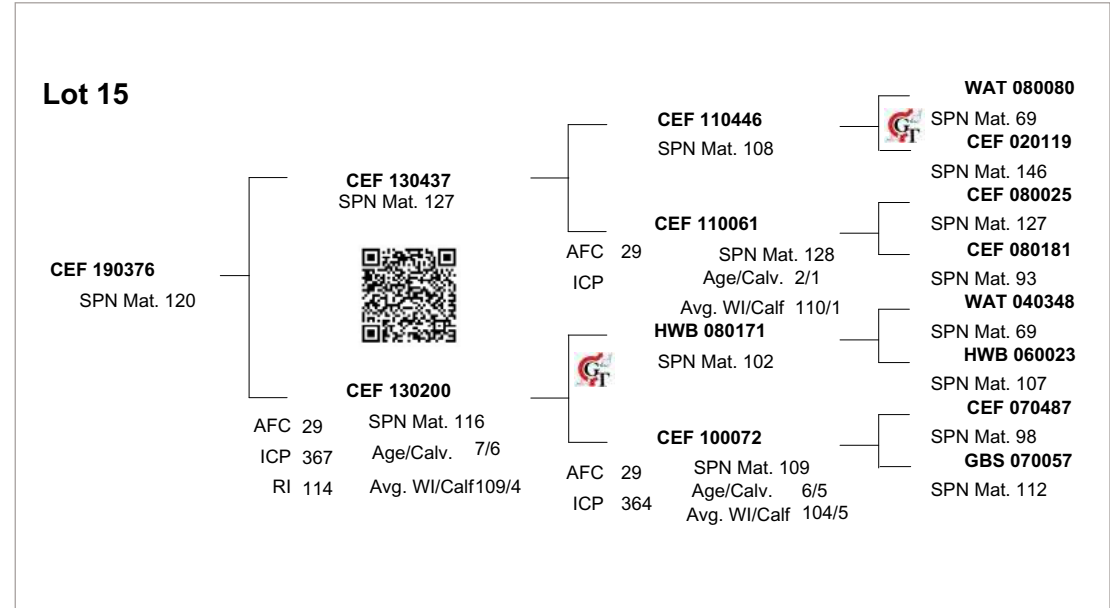
CEF 080025
SPN Mat. 127
CEF 070151
SPN Mat. 109
CEF 030416
SPN Mat. 50
CEF 990102
SPN Mat. 101
CEF 100481
SPN Mat. 125
CEF 100071
SPN Mat. 118
NPT 070170
SPN Mat. 76
CEF 020190
SPN Mat. 89

**KLIK HIER
VIR VIDEO**

Lot	Seller	ID	PARENTS	Test	DIRECT CALF TRAITS			DAUGHTER TRAITS			GROWTH		EFF.	REP	MEASURE-MENTS			R:	Breeder Own Remarks																		
					Progeny Birth Weight	Progeny Wean Weight	Ease of Calving	Milk prod.	Mature Weight	Post Wean Weight	Daily Gain	Feed Conv			Height & Length																						
					Breeding Value Indexes												Semen Users	Breeder Own Remarks																			
Lot	Seller	ID	POLLED	Gen	SIRE GV PV	Genomic Tested DNA	Birth Dir Acc	Wean Dir Acc	Birth Mat Acc	Wean Mat Acc	Mat Wgt Acc	Post Wean Acc	ADG Acc	FCR Acc	SC Acc	Hgt Acc			Lgt Acc	LHR	BWR	WWR															
																							DAM GV PV	Birth Date	Wgt kg	Wgt kg	Ind	kg	kg	kg	365d Ind	540d Ind	Ind	Ind	(mm)	(mm)	(mm)
14	P.F. SCHEEPERS	CEF 180311	SP	SP	CEF 140440	GT	0.93	19.0	0.43	1.8	14.0	32.6	190	-49	16.4	-7	25	5.83			Behou een mede eienaarskap ; Gebruik in kudde																
					CEF 140095	DNA	93	74	53	55	43	58	67	42	75	76	73																				
						15.03.18	30	224	104			-	120	-	365	1151	1429	43.9																			



LOT 15: CEF 19-0376 | ZINABOS BONSMARAS



**KLIK HIER
VIR VIDEO**

Lot	Seller	ID	PARENTS	Test	DIRECT CALF TRAITS			DAUGHTER TRAITS			GROWTH		EFF.	REP	MEASUREMENTS			R:	Breeder Own Remarks
					Progeny Birth Weight	Progeny Wean Weight	Ease of Calving	Milk prod.	Mature Weight	Post Wean Weight	Daily Gain	Feed Conv			Height & Length				
					Breeding Value Indexes													Semen Users	Breeder Own Remarks
Lot	Seller	ID	PARENTS	Test	Birth Dir	Wean Dir	Birth Mat	Wean Mat	Mat Wgt	Post Wean	ADG	FCR	SC	Hgt	Lgt	LHR			
					Acc	Acc	Acc	Acc	Acc	Acc	Acc	Acc	Acc	Acc	Acc	Acc	Acc		
					Wgt kg	Wgt kg	Ind	kg	kg	kg	365d Ind	540d Ind	Ind	Ind	(mm)	(mm)	(mm)	WWW	
15	P.F. SCHEEPERS	CEFC 190376	CEFC 130437	GT	93	132	102	120	126	132	139	119	120	124	127	-			
			CEFC 130200		1.81	28.2	-0.29	9.4	38.0	44.7	283	-86	26.4	21	52				
		SP		27.03.19	77	73	57	57	49	60	67	27	75	55	54	5.27			
					34	254	110			-	112	-	350	-	-	39.4			

BULLS



LOT 16: CEF 19-0471 | ZINABOS BONSMARAS



Lot 16 Behou een mede eienaarskap

CEF 190471
SPN Mat. 113

CEF 150315
SPN Mat. 105
Silver

CEF 150112
AFC 31 SPN Mat. 126
ICP 444 Age/Calv. 5/3
RI 102 Avg. Wl/Calf 106/3

CEF 100304
SPN Mat. 99
Elite-Gold
CEF 050121
AFC 31 SPN Mat. 96
ICP 363 Age/Calv. 12/10
Avg. Wl/Calf 99/10

CEF 130437
SPN Mat. 127

CEF 130057
AFC 28 SPN Mat. 98
ICP 420 Age/Calv. 3/2
Avg. Wl/Calf 102/1

CEF 080025
SPN Mat. 127
CEF 070151
SPN Mat. 109
CEF 010375
SPN Mat. 100
CEF 960097
SPN Mat. 96
CEF 110446
SPN Mat. 108
CEF 110061
SPN Mat. 128
AG 090762
SPN Mat. 76
CEF 040193
SPN Mat. 110

**KLIK HIER
VIR VIDEO**

Lot	Seller	ID	POLLED	Gen	PARENTS		Test	Breeding Value Indexes														LHR	BWR	WWR	Semens Users	Breeder Own Remarks
					SIRE	DAM		Birth Dir	Wean Dir	Birth Mat	Wean Mat	Mat Wgt	Post Wean	ADG	FCR	SC	Hgt	Lgt	Height & Length	R:						
								Progeny Birth Weight	Progeny Wean Weight	Ease of Calving	Milk prod.	Mature Weight	Post Wean Weight	Daily Gain	Feed Conv.	MEASUREMENTS		R:								
16	P.F. SCHEEPERS	CEF 190471			CEP	CEP	GT	83	125	95	113	123	128	142	118	120	123	129	-							
						DNA		2.85	25.1	0.04	7.6	35.0	41.7	294	-85	26.1	20	54	-							
						11.05.19		76	71	49	51	43	58	67	42	75	56	55	-							
								30	297	120				-	-	356	-	-	55.6	Behou een mede eienaarskap						



LOT 17: CEF 19-0418 | ZINABOS BONSMARAS



Lot 17

CEP 190418
SPN Mat. 141

CEP 130548
SPN Mat. 148

CEP 140162
AFC 30 SPN Mat. 138
ICP 382 Age/Calv. 7/5
RI 111 Avg. WI/Calf 115/4

CEP 110046
Elite-Silver
AFC 30 SPN Mat. 135
ICP 392 Age/Calv. 10/8
Avg. WI/Calf 109/7

CEP 120459
SPN Mat. 130

CEP 120077
AFC 29 SPN Mat. 115
ICP Age/Calv. 2/1
Avg. WI/Calf 100/1

GJN 100238
SPN Mat. 109

WAT 070090
SPN Mat. 119
GJN 080116
SPN Mat. 95
CEP 080435
SPN Mat. 94
CEP 080110
SPN Mat. 132
CEP 100481
SPN Mat. 125
CEP 100071
SPN Mat. 118
CEP 090457
SPN Mat. 107
CEP 060119
SPN Mat. 121

**KLIK HIER
VIR VIDEO**

Lot	Seller	ID	PARENTS		Test	Breeding Value Indexes										LHR	BWR	WWR	Semen Users	Breeder Own Remarks
			SIRE	DAM		Birth Dir	Wean Dir	Birth Mat	Wean Mat	Mat Wgt	Post Wean	ADG	FCR	SC	Hgt					
17	P.F. SCHEEPERS	CEP 190418	CEP 130548	CEP 140162	GT	111	124	110	141	118	126	122	110	117	111	122	-			
						-0.13	24.5	-0.63	15.2	29.0	40.9	202	-68	23.7	11	45	6.51			
		SP			27.04.19	33	278	123				102	-	349	-	-	52.9			

BULLS

Lot	Seller	ID	PARENTS	Test	111	124	110	141	118	126	122	110	117	111	122	-			
17	P.F. SCHEEPERS	CEP 190418	CEP 130548	GT	111	124	110	141	118	126	122	110	117	111	122	-			
					-0.13	24.5	-0.63	15.2	29.0	40.9	202	-68	23.7	11	45	6.51			
		SP			27.04.19	33	278	123			102	-	349	-	-	52.9			



LOT 18: CEF 19-0341 | ZINABOS BONSMARAS



Lot 18 Behou een mede eienaarskap
Gebruik vir verse

CEF 190341
SPN Mat. 126

CEF 130548
SPN Mat. 148

CEF 110136
AFC 32 ICP 362 RI 114
SPN Mat. 111
Age/Calv. 10/8
Avg. Wl/Calv 105/6

GJN 100238
SPN Mat. 109
Elite-Silver
CEF 110046
AFC 30 ICP 392
SPN Mat. 135
Age/Calv. 10/8
Avg. Wl/Calv 109/7

HJB 040251
SPN Mat. 104
Elite-Gold
CEF 040090
AFC 27 ICP 371
SPN Mat. 96
Age/Calv. 10/9
Avg. Wl/Calv 96/9

WAT 070090
SPN Mat. 119
GJN 080116
SPN Mat. 95
CEF 080435
SPN Mat. 94
CEF 080110
SPN Mat. 132
AG 980338
SPN Mat. 87
RCO 000153
SPN Mat. 90
CEF 010375
SPN Mat. 100
CEF 000125
SPN Mat. 88

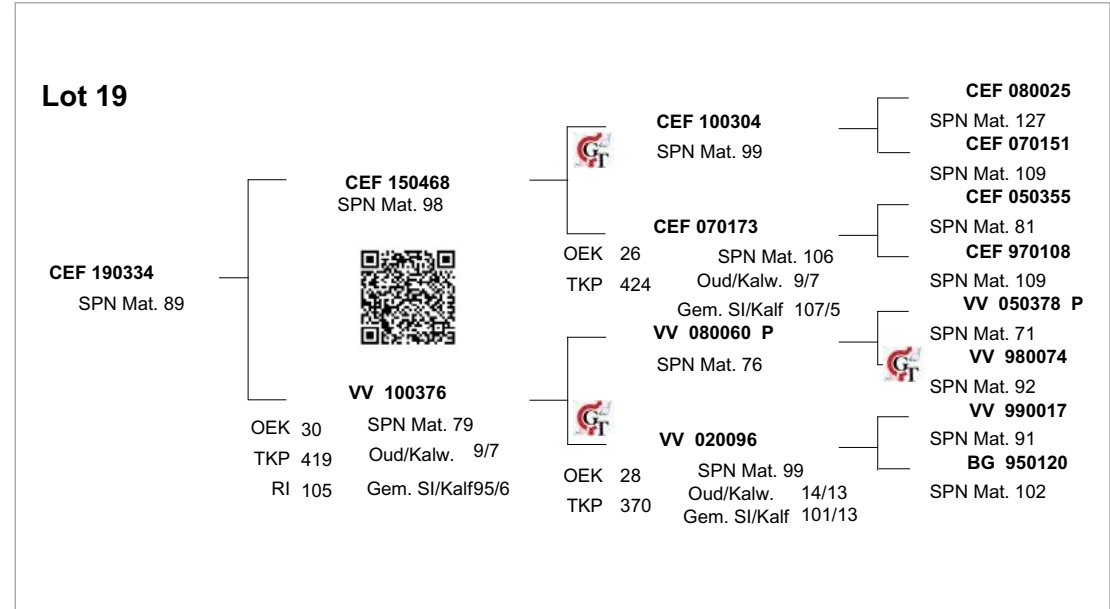
**KLIK HIER
VIR VIDEO**

Lot	Seller	ID	PARENTS		Test	Breeding Value Indexes										LHR	BWR	WWR	Semens Users	Breeder Own Remarks
			SIRE	DAM		Birth Dir	Wean Dir	Birth Mat	Wean Mat	Mat Wgt	Post Wean	ADG	FCR	SC	Hgt					
		POLLED	GV	PV	Genomic Tested	Acc	Acc	Acc	Acc	Acc	Acc	Acc	Acc	Acc	Acc	Acc	Acc	Acc	Acc	
		Gen	GV	PV	DNA	Wgt kg	Wgt kg	Ind	kg	kg	kg	365d Ind	540d Ind	Ind	Ind	(mm)	(mm)	(mm)		
18	P.F. SCHEEPERS	CEF 190341	CEF 130548	GT		109	117	113	126	109	117	107	108	106	89	102	-			
						0.02	21.1	-0.79	11.3	20.0	33.9	131	-64	14.7	-8	17				
			CEF 110136			78	74	59	61	50	64	70	30	77	61	61				
		SP		14.03.19		29	239	105			-		105	-	336	-	-	40.1		
Behou een mede eienaarskap ;Gebruik vir verse																				

BULLS



LOT 19: CEF 19-0334 | ZINABOS BONSMARAS

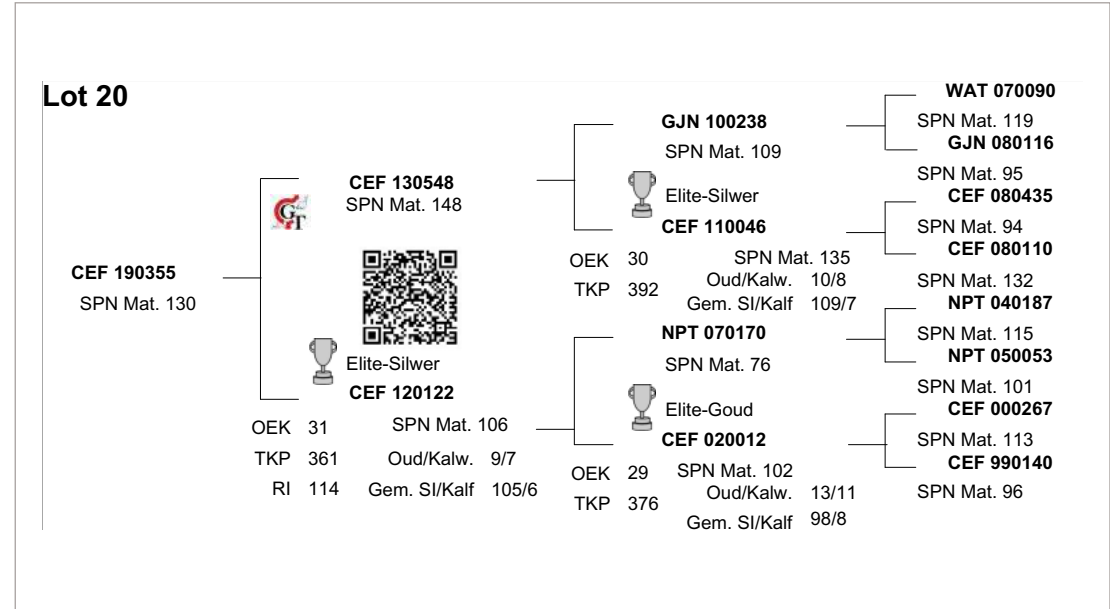


**KLIK HIER
VIR VIDEO**

Lot	Seller	ID	PARENTS		Test	Breeding Value Indexes										LHR	BWR	WWR	Semen Users	Breeder Own Remarks
			SIRE	PV		Birth Dir	Wean Dir	Birth Mat	Wean Mat	Mat Wgt	Post Wean	ADG	FCR	SC	Hgt					
		POLLED	DAM	PV	DNA	Progeny Birth Weight	Progeny Wean Weight	Ease of Calving	Milk prod.	Mature Weight	Post Wean Weight	Daily Gain	Feed Conv	Height & Length						
						Gen	GV	PV	Birth Date	Wgt kg	Wgt kg	Ind	kg	kg	kg	365d Ind	540d Ind	Ind	Ind	(mm)
19	P.F. SCHEEPERS	CEF 190334	CEF 150468	GT		101	101	115	89	84	96	98	97	105	97	101	-			
			VV 100376			0.90	14.1	-0.88	0.9	-8.0	19.4	90	-40	14.1	-1	16	6.25			
		SP		11.03.19		35	235	90			-		104	-	342	-	-	43.2		



LOT 20: CEF 19-0355 | ZINABOS BONSMARAS



**KLIK HIER
VIR VIDEO**

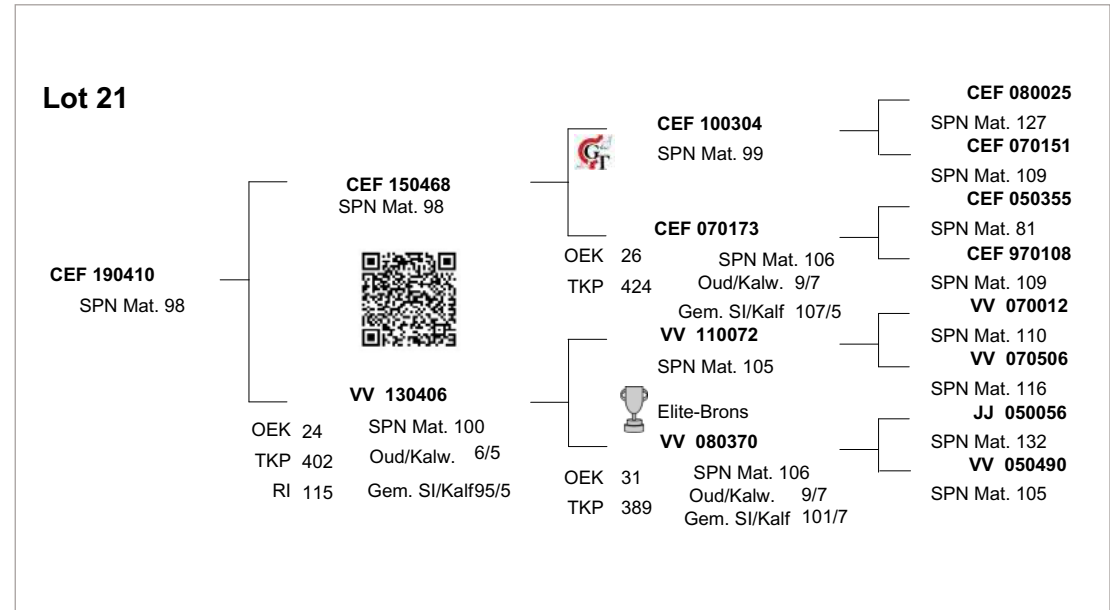
Lot	Seller	ID	PARENTS		Test	Breeding Value Indexes										LHR	BWR	WWR	Semens Users	Breeder Own Remarks
			SIRE	PV		Birth Dir	Wean Dir	Birth Mat	Wean Mat	Mat Wgt	Post Wean	ADG	FCR	SC	Hgt					
			DAM		DNA	Acc	Acc	Acc	Acc	Acc	Acc	Acc	Acc	Acc	Acc	Acc	Acc	Acc	Acc	
			Gen		Birth Date	Wgt kg	Wgt kg	Ind	kg	kg	kg	365d Ind	540d Ind	Ind	Ind	(mm)	(mm)	(mm)		
20	P.F. SCHEEPERS	CEF 190355	CEF 130548	GT		96	123	97	130	106	129	119	106	111	108	118	-			
			CEF 120122	DNS		1.45	24.0	-0.03	12.3	17.0	43.1	186	-58	18.8	8	40	7.31			
		SP		21.03.19		41	242	100						118	-	328	-	-	41	

BULLS

20	P.F. SCHEEPERS	CEF 190355	CEF 130548	GT	96	123	97	130	106	129	119	106	111	108	118	-		
			CEF 120122	DNS	1.45	24.0	-0.03	12.3	17.0	43.1	186	-58	18.8	8	40	7.31		
		SP		21.03.19	41	242	100						118	-	328	-	-	41



LOT 21: CEF 19-0410 | ZINABOS BONSMARAS



**KLIK HIER
VIR VIDEO**

Lot	Seller	ID	PARENTS		Test	Breeding Value Indexes											LHR	BWR	WWR	Semen Users	Breeder Own Remarks
			SIRE	PV		Birth Dir	Wean Dir	Birth Mat	Wean Mat	Mat Wgt	Post Wean	ADG	FCR	SC	Hgt	Lgt					
		POLLED	DAM	PV	DNA	Acc	Acc	Acc	Acc	Acc	Acc	Acc	Acc	Acc	Acc	Acc	Acc	Acc	Acc		
																				Gen	GV
21	P.F. SCHEEPERS	CEF 190410	CEF 150468	GT	97	110	105	98	110	111	118	110	109	108	113	-					
			VV 130406		1.36 78	18.2 73	-0.42 50	3.3 53	20.0 46	30.2 58	184 65	-69 29	17.4 74	8 50	33 49	5.96					
		SP	07.04.19	34	241	103				116	-	333	-	-	-	42.9					




LOT 22: CEF 18-0404 | ZINABOS BONSMARAS



Lot 22 Geskik vir verse

CEF 180404
SPN Mat. 111



DAJ 150086
SPN Mat. 114

DAJ 120094
SPN Mat. 112

CEF 130437
SPN Mat. 127

CEF 160029
SPN Mat. 117

TOR 070049
SPN Mat. 114

DAJ 120094
Oud/Kalw. 8/5
Gem. SI/Kalf 105/5

CEF 130437
SPN Mat. 127

CEF 110174
SPN Mat. 86
Oud/Kalw. 10/8
Gem. SI/Kalf 96/7

FCT 000065
SPN Mat. 83
RAI 000032
SPN Mat. 112
LAR 070038
SPN Mat. 102
DAJ 080010
SPN Mat. 95
CEF 110446
SPN Mat. 108
CEF 110061
SPN Mat. 128
CEF 070386
SPN Mat. 84
CEF 040141
SPN Mat. 115

DIRECT CALF TRAITS		DAUGHTER TRAITS			GROWTH		EFF.	REP	MEASURE-MENTS	R:
Progeny Birth Weight	Progeny Wean Weight	Ease of Calving	Milk prod.	Mature Weight	Post Wean Weight	Daily Gain	Feed Conv	Height & Length		

Lot	Seller	ID	PARENTS		Test	Breeding Value Indexes										LHR	BWR	WWR	Semen Users	Breeder Own Remarks	
			SIRE GV	PV		Birth Dir	Wean Dir	Birth Mat	Wean Mat	Mat Wgt	Post Wean	ADG	FCR	SC	Hgt						Lgt
		POLLED			DNA	Acc	Acc	Acc	Acc	Acc	Acc	Acc	Acc	Acc	Acc	Acc					
		Gen	DAM GV	PV	Birth Date	Wgt kg	Wgt kg	Ind	kg	kg	kg	365d Ind	540d Ind	Ind	Ind	(mm)	(mm)	(mm)			

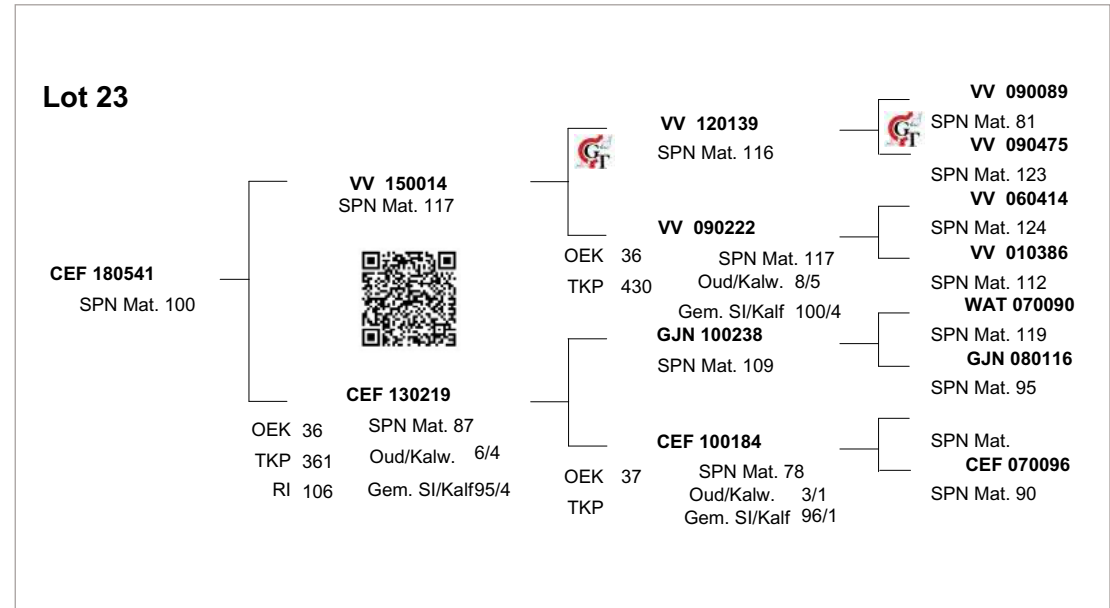
BULLS

22	P.F. SCHEEPERS	CEF 180404	DAJ 150086	GT	113	110	114	111	120	104	106	107	111	79	94	1.21		Geslik vir verse
			CEF 160029		-0.37 76	18.0 72	-0.81 49	7.1 52	32.0 44	25.1 58	124 67	-63 25	18.9 75	-16 76	6 73	7.25		
		SP		24.07.18	30	265	117			-	90	-	367	1106	1343	49.3		

KLIK HIER
VIR VIDEO



LOT 23: CEF 18-0541 | ZINABOS BONSMARAS



**KLIK HIER
VIR VIDEO**

Lot	Seller	ID	PARENTS		Test	Breeding Value Indexes										LHR	BWR	WWR	Semen Users	Breeder Own Remarks
			SIRE	PV		Birth Dir	Wean Dir	Birth Mat	Wean Mat	Mat Wgt	Post Wean	ADG	FCR	SC	Hgt					
		POLLED	DAM		DNA	Acc	Acc	Acc	Acc	Acc	Acc	Acc	Acc	Acc	Acc	Acc	Acc			
		Gen	GV	PV	Birth Date	Wgt kg	Wgt kg	Ind	kg	kg	kg	365d Ind	540d Ind	Ind	Ind	(mm)	(mm)	(mm)		
23	P.F. SCHEEPERS	CEF 180541	VV 150014		C32	102	120	100	100	87	121	119	105	119	98	120	1.26			
			☑			0.83	22.6	-0.20	3.9	-4.0	37.2	186	-58	25.5	0	42	7.88			
		SP	CEF 130219		DNS	76	71	47	50	40	58	65	69	74	75	72				
					16.10.18	35	257	100						104	96	354	1144	1445	60.6	

BULLS



LOT 24: CEF 18-0451 | ZINABOS BONSMARAS



Lot 24 Geskik vir verse

CEF 180451
SPN Mat. 100

BBM 140034
SPN Mat. 108

CEF 160040
OEK 29 SPN Mat. 95
TKP 374 Oud/Kalw. 4/3
RI 113 Gem. SI/Kalf 99/3

BBM 080070
SPN Mat. 96

JRB 030026
Elite-Goud
OEK 36 SPN Mat. 122
TKP 376 Oud/Kalw. 16/14
Gem. SI/Kalf 109/13

MRW 100125
SPN Mat. 84

CEF 080220
Elite-Goud
OEK 29 SPN Mat. 104
TKP 368 Oud/Kalw. 9/8
Gem. SI/Kalf 104/8

JRB 000116
SPN Mat. 71
JRB 020109
SPN Mat. 108
JRB 950073
SPN Mat. 58
JRB 980287
SPN Mat. 112
WSS 070005 P

SPN Mat. 97
MRW 020190
SPN Mat. 87
GBS 030140
SPN Mat. 90
GBS 030079
SPN Mat. 96

**KLIK HIER
VIR VIDEO**

Lot	Seller	ID	PARENTS		Test	Breeding Value Indexes											LHR	BWR	WWR	Semen Users	Breeder Own Remarks
			SIRE	PV		Birth Dir	Wean Dir	Birth Mat	Wean Mat	Mat Wgt	Post Wean	ADG	FCR	SC	Hgt	Lgt					
			DAM	PV	DNA	Acc	Acc	Acc	Acc	Acc	Acc	Acc	Acc	Acc	Acc	Acc	Acc	Acc	Acc	Acc	
			Gen		Birth Date	Wgt kg	Wgt kg	Ind	kg	kg	kg	365d Ind	540d Ind	Ind	Ind	(mm)	(mm)	(mm)			
24	P.F. SCHEEPERS	CEF 180451	BBM 140034	GT		107	93	97	100	97	87	100	97	106	94	96	1.16				
			CEF 160040		0.28	10.2	-0.06	3.9	6.0	12.9	97	-40	14.5	-4	9	7.69					
		SP	16.08.18	30	244	106				99	-	344	1166	1356	55.6						

BULLS

Geskik vir verse




LOT 26: CEF 18-0486 | ZINABOS BONSMARAS



Lot 26

CEF 180486
SPN Mat. 77

JRP 150072
SPN Mat. 81



CEF 140182
AFC 22 SPN Mat. 81
ICP 375 Age/Calv. 6/5
RI 121 Avg. Wt/Calv 100/5

LAR 070055
SPN Mat. 81

JRP 080026
AFC 29 SPN Mat. 82
ICP 389 Age/Calv. 12/10
 Avg. Wt/Calv 97/10

ADV 100068
SPN Mat. 47

Elite-Gold
CEF 040090
AFC 27 SPN Mat. 96
ICP 371 Age/Calv. 10/9
 Avg. Wt/Calv 96/9

BG 040088
SPN Mat. 115
LAR 040160

SPN Mat. 75
LAR 050008

SPN Mat. 95
JRP 010013

SPN Mat. 66
SYF 070036

SPN Mat. 69
ADV 070142

SPN Mat. 53
CEF 010375

SPN Mat. 100
CEF 000125

SPN Mat. 88

**KLIK HIER
VIR VIDEO**

Lot	Seller	ID	PARENTS		Test	Breeding Value Indexes											LHR	BWR	WWR	Semen Users	Breeder Own Remarks
			SIRE	DAM		Birth Dir	Wean Dir	Birth Mat	Wean Mat	Mat Wgt	Post Wean	ADG	FCR	SC	Hgt	Lgt					
		POLLED		Gen		Genomic Tested	Acc	Acc	Acc	Acc	Acc	Acc	Acc	Acc	Acc	Acc	Acc	Acc	Acc	Acc	
						DNA	Wgt kg	Wgt kg	Ind	kg	kg	kg	365d Ind	540d Ind	Ind	Ind	(mm)	(mm)	(mm)		
26	P.F. SCHEEPERS	CEF 180486	POLLED	Gen	JRP 150072	GT	89	121	115	77	107	117	104	102	110	97	107	1.19			
					CEP 140182		2.18	23.3	-0.89	-2.4	17.0	33.9	118	-52	18.1	-1	24	7.73			
					SP	08.09.18	36	277	116				108	-	350	1187	1408	55.7			



LOT 27: CEF 18-0427 | ZINABOS BONSMARAS



Lot 27

CEF 180427
SPN Mat. 102

CEF 150315
SPN Mat. 105
Silver

CEF 140229
AFC 29 SPN Mat. 99
ICP 431 Age/Calv. 6/4
RI 106 Avg. WI/Calf 103/4

CEF 100304
SPN Mat. 99
Elite-Gold

CEF 050121
AFC 31 SPN Mat. 96
ICP 363 Age/Calv. 12/10
Avg. WI/Calf 99/10

CEF 120399
SPN Mat. 109

CEF 110004
AFC 30 SPN Mat. 87
ICP 369 Age/Calv. 9/7
Avg. WI/Calf 90/5

CEF 080025
SPN Mat. 127
CEF 070151
SPN Mat. 109
CEF 010375
SPN Mat. 100
CEF 960097
SPN Mat. 96
WAT 080080
SPN Mat. 69
CEF 040019
SPN Mat. 124
CEF 080338
SPN Mat. 88
CEF 080065
SPN Mat. 134

**KLIK HIER
VIR VIDEO**

Lot	Seller	ID	PARENTS	Test	DIRECT CALF TRAITS		DAUGHTER TRAITS			GROWTH		EFF.	REP	MEASURE-MENTS			R:	Breeder Own Remarks																			
					Progeny Birth Weight	Progeny Wean Weight	Ease of Calving	Milk prod.	Mature Weight	Post Wean Weight	Daily Gain			Feed Conv	Height & Length																						
					Breeding Value Indexes													Semen Users	Breeder Own Remarks																		
Lot	Seller	ID	POLLED	Gen	SIRE GV PV	DAM GV PV	Genomic Tested DNA	Birth Dir Acc	Wean Dir Acc	Birth Mat Acc	Wean Mat Acc	Mat Wgt Acc	Post Wean Acc	ADG Acc	FCR Acc	SC Acc	Hgt Acc			Lgt Acc	LHR	BWR	WWR														
																								Birth Date	Wgt kg	Wgt kg	Ind	kg	kg	kg	365d Ind	540d Ind	Ind	Ind	(mm)	(mm)	(mm)
																								27	P.F. SCHEEPERS	CEF 180427	SP	CEF 150315 GT	86	118	92	102	120	119	120	112	102
					2.45	21.6	0.17	4.5	32.0	35.6	192	-71	11.9	12	34	6.77																					
				CEF 140229 DNA	77	72	50	53	44	57	67	42	74	76	73																						
				12.08.18	39	266	101				108	-	338	1185	1403	44.5																					




LOT 28: CEF 17-0535 | ZINABOS BONSMARAS



Lot 28 Gebruik in kommersiële kudde

CEF 170535
SPN Mat. 90

CEF 100304
SPN Mat. 99



CEF 110164
AFC 35 SPN Mat. 89
ICP 375 Age/Calv. 6/4
RI 105 Avg. Wt/Calv 105/4

CEF 080025
SPN Mat. 127

CEF 070151
AFC 31 SPN Mat. 109
ICP 388 Age/Calv. 13/11
 Avg. Wt/Calv 102/10

CEF 080426
SPN Mat. 66

CEF 080240
AFC 34 SPN Mat. 86
ICP 349 Age/Calv. 4/2
 Avg. Wt/Calv 98/2

AG 020251
SPN Mat. 121
CEF 020146
SPN Mat. 110
CEF 040415
SPN Mat. 95
CEF 030096
SPN Mat. 120
CEF 040460
SPN Mat. 101
CEF 000050
SPN Mat. 110
CEF 050317
SPN Mat. 56
CEF 040077
SPN Mat. 103

**KLIK HIER
VIR VIDEO**

Lot	Seller	ID	PARENTS		Test	Breeding Value Indexes										LHR	BWR	WWR	Semen Users	Breeder Own Remarks	
			SIRE	DAM		Birth Dir	Wean Dir	Birth Mat	Wean Mat	Mat Wgt	Post Wean	ADG	FCR	SC	Hgt						Lgt
		POLLED	GV	PV	Genomic Tested	Acc	Acc	Acc	Acc	Acc	Acc	Acc	Acc	Acc	Acc	Acc	Acc	Acc	Acc	Acc	
		Gen	GV	PV	DNA	Wgt kg	Wgt kg	Ind	kg	kg	kg	365d Ind	540d Ind	Ind	Ind	(mm)	(mm)	(mm)			
28	P.F. SCHEEPERS	CEF 170535	CEF 100304	GT		108	106	97	90	108	101	108	101	82	92	98	1.22				
			CEF 110164	DNA		0.21	16.3	-0.06	1.1	19.0	23.1	135	-50	-4.6	-5	11	5.69				
		SP		Birth Date		77	73	60	63	57	65	69	45	76	77	75					
						09.09.17	35	240	116					111	-	322	1187	1449	41.7		

BULLS

Gebruik in kommersiële kudde



LOT 29: VV 16-0038 | ZINABOS BONSMARAS



Lot 29 Behou een mede eienaarskap
Gebruik in kudde

VV 160038
SPN Mat. 90

VV 130147
SPN Mat. 78

VV 070239
Elite-Gold
AFC 27 SPN Mat. 96
ICP 376 Age/Calv. 12/11
RI 115 Avg. WI/Calf 100/12

VV 050452
Elite-Silver
AFC 30 SPN Mat. 109
ICP 366 Age/Calv. 10/9
Avg. WI/Calf 101/9

VV 040322
SPN Mat. 97

VV 010386
AFC 30 SPN Mat. 112
ICP 389 Age/Calv. 10/8
Avg. WI/Calf 103/8

AG 030026
SPN Mat. 69
AG 990119
SPN Mat. 84
VV 030016
SPN Mat. 120
VV 000132
SPN Mat. 99
VV 020135
SPN Mat. 116
VV 000370
SPN Mat. 100
VV 980271
SPN Mat. 90
VV 970265
SPN Mat. 137

**KLIK HIER
VIR VIDEO**

Lot	Seller	ID	PARENTS	Test	DIRECT CALF TRAITS		DAUGHTER TRAITS			GROWTH		EFF.	REP	MEASURE-MENTS			R:	Semens Users	Breeder Own Remarks		
					Progeny Birth Weight	Progeny Wean Weight	Ease of Calving	Milk prod.	Mature Weight	Post Wean Weight	Daily Gain			Feed Conv	Height & Length						
					Breeding Value Indexes																
Lot	Seller	ID	SIRE GV PV	DAM GV PV	Genomic Tested DNA	Birth Dir Acc	Wean Dir Acc	Birth Mat Acc	Wean Mat Acc	Mat Wgt Acc	Post Wean Acc	ADG Acc	FCR Acc	SC Acc	Hgt Acc	Lgt Acc	LHR	BWR	WWR		
																				Birth Date	Wgt kg
29	P.F. SCHEEPERS	VV 160038	VV 130147 ☑	GT		112	86	128	90	101	89	108	106	118	98	96	1.21				
			VV 070239 ☑	DNA		-0.20 96	7.2 92	-1.45 56	1.1 63	11.0 48	14.1 73	133 85	-60 30	24.5 89	-1 89	8 87	7.21				
		SP		08.05.16		38	212	99			-	113	-	367	1154	1402	45				
																				Behou een mede eienaarskap ;Gebruik in kudde	



LOT 31: CEF 19-0331 | ZINABOS BONSMARAS



Lot 31 Geskik vir verse

CEf 190331
SPN Mat. 127

CEf 130548
SPN Mat. 148

CEf 100106
Elite-Goud
OEK 32 SPN Mat. 108
TKP 363 Oud/Kalw. 10/8
RI 113 Gem. SI/Kalf 105/8

CEf 110046
Elite-Silwer
OEK 30 SPN Mat. 135
TKP 392 Oud/Kalw. 10/8
Gem. SI/Kalf 109/7

CEf 080435
SPN Mat. 94

GBS 070159
OEK 34 SPN Mat. 121
TKP Oud/Kalw. 3/1
Gem. SI/Kalf 110/1

GJN 100238
SPN Mat. 109

WAT 070090
SPN Mat. 119
GJN 080116
SPN Mat. 95
CEf 080435
SPN Mat. 94
CEf 080110
SPN Mat. 132
CEf 040460
SPN Mat. 101
CEf 030160
SPN Mat. 112
MMJ 030247
SPN Mat. 133
GBS 040033
SPN Mat. 91

**KLIK HIER
VIR VIDEO**

Lot	Seller	ID	PARENTS		Test	Breeding Value Indexes										LHR	BWR	WWR	Semens Users	Breeder Own Remarks
			SIRE	DAM		Birth Dir	Wean Dir	Birth Mat	Wean Mat	Mat Wgt	Post Wean	ADG	FCR	SC	Hgt					
			GV	PV	Genomic Tested	Acc	Acc	Acc	Acc	Acc	365d Ind	540d Ind	Ind	Ind	(mm)	(mm)	(mm)			
31	P.F. SCHEEPERS	CEf 190331	CEf 130548	GT		111	119	117	127	119	122	115	102	111	103	116	-			
			CEf 100106			-0.16	22.4	-0.98	11.4	30.0	37.8	168	-52	19.2	4	37	4.84			
		B		06.03.19		78	74	58	60	46	60	69	24	76	60	59				
						33	240	104			-		111	-	344	-	-	36.8		

BULLS

31	P.F. SCHEEPERS	CEf 190331	CEf 130548	GT	111	119	117	127	119	122	115	102	111	103	116	-		
			CEf 100106		-0.16	22.4	-0.98	11.4	30.0	37.8	168	-52	19.2	4	37	4.84		
		B		06.03.19	78	74	58	60	46	60	69	24	76	60	59			
					33	240	104			-		111	-	344	-	-	36.8	Geskik vir verse



LOT 32: CEF 19-0403 | ZINABOS BONSMARAS



Lot 32

CEF 190403
SPN Mat. 101

CEF 150486
SPN Mat. 107

CEF 160175
OEK 31 SPN Mat. 103
TKP 369 Oud/Kalw. 5/3
RI 110 Gem. SI/Kalf 120/2

CEF 100304
SPN Mat. 99

CEF 070046
OEK 29 SPN Mat. 114
TKP 369 Oud/Kalw. 12/10
Gem. SI/Kalf 99/9

ADV 100068
SPN Mat. 47

Elite-Goud
CEF 070107
OEK 29 SPN Mat. 108
TKP 363 Oud/Kalw. 13/12
Gem. SI/Kalf 99/11

CEF 080025
SPN Mat. 127
CEF 070151
SPN Mat. 109
CEF 050355
SPN Mat. 81
CEF 020180
SPN Mat. 130
SYF 070036
SPN Mat. 69
ADV 070142
SPN Mat. 53
CEF 040431
SPN Mat. 88
CEF 030141
SPN Mat. 121

**KLIK HIER
VIR VIDEO**

Lot	Seller	ID	PARENTS		Test	Breeding Value Indexes										LHR	BWR	WWR	Semen Users	Breeder Own Remarks
			SIRE	PV		Birth Dir	Wean Dir	Birth Mat	Wean Mat	Mat Wgt	Post Wean	ADG	FCR	SC	Hgt					
			DAM		Genomic Tested		Ease of Calving		Milk prod.	Mature Weight	Post Wean Weight	Daily Gain	Feed Conv	MEASURE-MENTS			R:			
			GV	PV	DNA	Acc	Acc	Acc	Acc	Acc	Acc	Acc	Acc	Acc	Acc	Acc	Acc			
			GV	PV	Birth Date	Wgt kg	Wgt kg	Ind	kg	kg	kg	365d Ind	540d Ind	Ind	Ind	(mm)	(mm)	(mm)		
32	P.F. SCHEEPERS	CEF 190403	CEF 150486		GT	92	120	115	101	120	120	124	113	111	118	119	-			
						1.82	22.8	-0.88	4.3	32.0	36.3	209	-74	19.2	17	41	6.4			
		SP	CEF 160175		06.04.19	30	272	116					113	-	347	-	-	52.9		




LOT 33: CEF 19-0328 | ZINABOS BONSMARAS



Lot 33 Geskik vir verse

CEf 190328
SPN Mat. 97

BBM 140034
SPN Mat. 108



CEf 160111 P
OEK 31 SPN Mat. 88
TKP 443 Oud/Kalw. 4/2
RI 103 Gem. SI/Kalf 102/2

BBM 080070
SPN Mat. 96

JRB 030026 Elite-Goud
OEK 36 SPN Mat. 122
TKP 376 Oud/Kalw. 16/14
Gem. SI/Kalf 109/13

HDT 120043 Pp(c)
SPN Mat. 75

CEf 120231
OEK 30 SPN Mat. 92
TKP 400 Oud/Kalw. 8/6
Gem. SI/Kalf 97/5

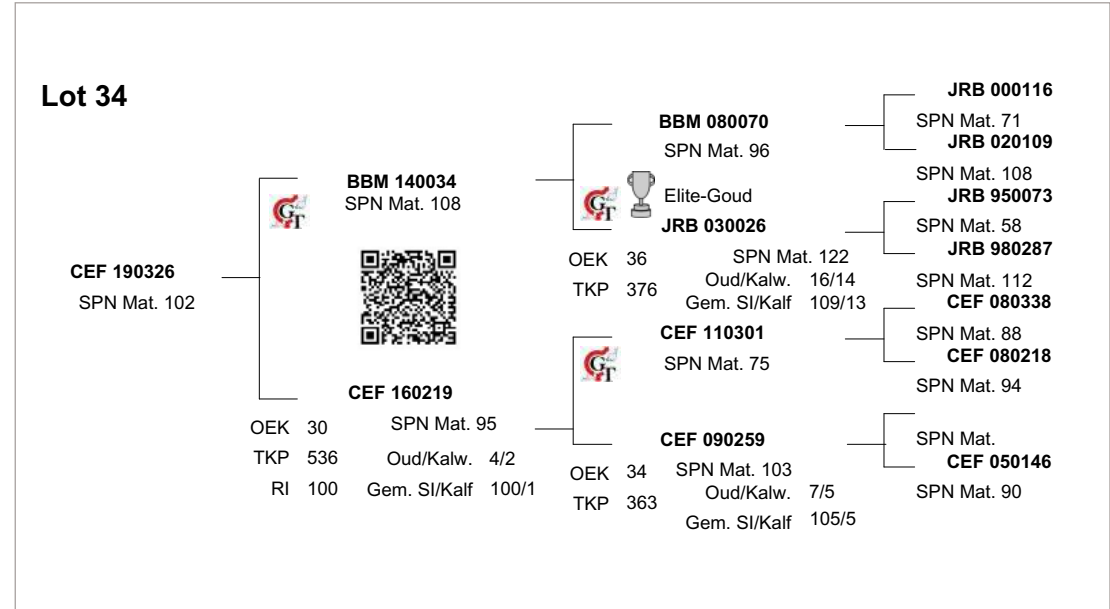
JRB 000116
SPN Mat. 71
JRB 020109
SPN Mat. 108
JRB 950073
SPN Mat. 58
JRB 980287
SPN Mat. 112
HDT 080059 P
SPN Mat. 88
HDT 090001 P
SPN Mat. 72
CEf 080426
SPN Mat. 66
CEf 090095
SPN Mat. 114

**KLIK HIER
VIR VIDEO**

Lot	Seller	ID	POLLED	Gen	PARENTS		Test	Breeding Value Indexes								LHR	BWR	WWR	Semen Users	Breeder Own Remarks																		
					SIRE	DAM		Birth Dir	Wean Dir	Birth Mat	Wean Mat	Mat Wgt	Post Wean	ADG	FCR						SC	Hgt	Lgt															
		GV		PV		DNA		Acc		Acc		Acc		Acc		Acc		Acc																				
		GV		PV		Birth Date		Wgt kg		Wgt kg		Ind		kg		kg		kg		365d Ind		540d Ind		Ind		Ind		(mm)		(mm)		(mm)						
33	P.F. SCHEEPERS	CEf 190328			BBM 140034		GT	110	92	104	97	91	88	92	84	128	87	98	-																			
							DNS	-0.07	10.0	-0.37	3.0	-1.0	13.8	59	-13	32.9	-9	12	7.39																			
		SP			CEf 160111		08.03.19	76	72	52	56	44	62	68	19	75	55	54																				
					P			30	235	99						104	-																					
																									Geskik vir verse													



LOT 34: CEF 19-0326 | ZINABOS BONSMARAS



**KLIK HIER
VIR VIDEO**

Lot	Seller	ID	PARENTS	Test	DIRECT CALF TRAITS		DAUGHTER TRAITS			GROWTH		EFF.	REP	MEASURE-MENTS			R:	Semen Users	Breeder Own Remarks		
					Progeny Birth Weight	Progeny Wean Weight	Ease of Calving	Milk prod.	Mature Weight	Post Wean Weight	Daily Gain			Feed Conv	Height & Length						
					Breeding Value Indexes																
Lot	Seller	ID	POLLED	Gen	SIRE GV PV	DAM GV PV	Genomic Tested DNA	Birth Dir Acc	Wean Dir Acc	Birth Mat Acc	Wean Mat Acc	Mat Wgt Acc	Post Wean Acc	ADG Acc	FCR Acc	SC Acc	Hgt Acc	Lgt Acc	LHR	BWR	WWR
34	P.F. SCHEEPERS	CEF 190326	SP	GT	BBM 140034	GT		88	105	89	102	113	101	101	93	115	95	107	-		
					☑		2.31	15.9	0.31	4.4	24.0	22.9	101	-31	22.1	-3	24	-	7.95		
					CEP 160219	DNS	76	71	51	55	42	62	67	27	75	54	54				
				07.03.19	☑		35	245	100				-	104	-	325	-	-	43		

BULLS




LOT 35: CEF 19-0317 | ZINABOS BONSMARAS



Lot 35 Geskik vir verse

CEF 190317
SPN Mat. 93

BBM 140034
SPN Mat. 108



BBM 080070
SPN Mat. 96
Elite-Goud
JRB 030026
OEK 36 SPN Mat. 122
TKP 376 Oud/Kalw. 16/14
Gem. SI/Kalf 109/13

CEF 130317
SPN Mat. 72

CEF 160258
OEK 29 SPN Mat. 78
TKP 376 Oud/Kalw. 4/3
RI 114 Gem. SI/Kalf105/2

CEF 130054
OEK 28 SPN Mat. 78
TKP 366 Oud/Kalw. 7/6
Gem. SI/Kalf 98/6

JRB 000116
SPN Mat. 71
JRB 020109
SPN Mat. 108
JRB 950073
SPN Mat. 58
JRB 980287
SPN Mat. 112
CEF 110301
SPN Mat. 75
CEF 100161
SPN Mat. 102
WAT 080080
SPN Mat. 69
CEF 090222
SPN Mat. 83

**KLIEK HIER
VIR VIDEO**

Lot	Seller	ID	PARENTS		Test	DIRECT CALF TRAITS					DAUGHTER TRAITS			GROWTH		EFF.	REP	MEASURE-MENTS			R:	
			SIRE	DAM		Progeny Birth Weight	Progeny Wean Weight	Ease of Calving	Milk prod.	Mature Weight	Post Wean Weight	Daily Gain	Feed Conv	Height & Length								
Lot	Seller	ID	POLLED	Gen	Genomic Tested	Birth Dir	Wean Dir	Breeding Value Indexes					Post Wean	ADG	FCR	SC	Hgt	Lgt	LHR	BWR	WWR	Breeder Own Remarks
								GV	PV	Acc	Acc	Acc										
					DNA	Wgt kg	Wgt kg	Ind	kg	kg	kg	365d Ind	540d Ind	Ind	Ind	(mm)	(mm)	(mm)				
35	P.F. SCHEEPERS	CEF 190317	SP	Gen	BBM 140034	GT	117	95	105	93	106	92	94	89	112	83	99	-				
					CEF 160258		-0.72	11.3	-0.41	1.8	17.0	16.3	70	-23	19.8	-13	13	7.14				
					Birth Date	30	229	96				-		92	-	330	-	-	43.4			Geskik vir verse



LOT 37: CEF 19-0320 | ZINABOS BONSMARAS



Lot 37

CEF 190320
SPN Mat. 105

BBM 140034
SPN Mat. 108

CEF 160275
AFC 28 SPN Mat. 102
ICP 375 Age/Calv. 4/3
RI 114 Avg. WI/Calf 100/1

BBM 080070
SPN Mat. 96

JRB 030026
AFC 36 SPN Mat. 122
ICP 376 Age/Calv. 16/14
Avg. WI/Calf 109/13

CEF 100304
SPN Mat. 99

CEF 090237
AFC 36 SPN Mat. 93
ICP 356 Age/Calv. 8/6
Avg. WI/Calf 101/5

JRB 000116
SPN Mat. 71

JRB 020109
SPN Mat. 108

JRB 950073
SPN Mat. 58

JRB 980287
SPN Mat. 112

CEF 080025
SPN Mat. 127

CEF 070151
SPN Mat. 109

CEF 060349
SPN Mat. 96

GBS 990124
SPN Mat. 79

**KLIK HIER
VIR VIDEO**

Lot	Seller	ID	PARENTS		Test	Breeding Value Indexes										LHR	BWR	WWR	Semen Users	Breeder Own Remarks
			SIRE	PV		Birth Dir	Wean Dir	Birth Mat	Wean Mat	Mat Wgt	Post Wean	ADG	FCR	SC	Hgt					
		POLLED	DAM	PV	DNA	Acc	Acc	Acc	Acc	Acc	Acc	Acc	Acc	Acc	Acc	Acc	Acc	Acc	Acc	
		Gen	GV	PV	Birth Date	Wgt kg	Wgt kg	Ind	kg	kg	kg	365d Ind	540d Ind	Ind	Ind	(mm)	(mm)	(mm)		
37	P.F. SCHEEPERS	CEF 190320	BBM 140034		GT	93	102		93	105	107	100	103	98	109	88	101	-		
						1.81	14.6	0.13	5.4	17.0	22.0	110	-42	17.5	-9	15	9.11			
		SP	CEF 160275		04.03.19	35	242	100							104	-	339	-	-	50.8



LOT 38: CEF 19-0364 | ZINABOS BONSMARAS



Lot 38 Geskik vir verse

CEF 190364
SPN Mat. 115

BBM 140034
SPN Mat. 108

CEF 160242
AFC 30 SPN Mat. 125
ICP 362 Age/Calv. 4/3
RI 113 Avg. Wt/Calv 107/2

BBM 080070
SPN Mat. 96

Elite-Gold
JRB 030026
AFC 36 SPN Mat. 122
ICP 376 Age/Calv. 16/14
Avg. Wt/Calv 109/13

CEF 130437
SPN Mat. 127

CEF 120196
AFC 35 SPN Mat. 109
ICP 366 Age/Calv. 6/4
Avg. Wt/Calv 93/4

JRB 000116
SPN Mat. 71
JRB 020109
SPN Mat. 108
JRB 950073
SPN Mat. 58
JRB 980287
SPN Mat. 112
CEF 110446
SPN Mat. 108
CEF 110061
SPN Mat. 128
BP 090012
SPN Mat. 107
CEF 060035
SPN Mat. 123

**KLIK HIER
VIR VIDEO**

Lot	Seller	ID	POLLED	Gen	PARENTS		Test	Breeding Value Indexes												LHR	BWR	WWR	Semen Users	Breeder Own Remarks
					SIRE	DAM		Birth Dir	Wean Dir	Birth Mat	Wean Mat	Mat Wgt	Post Wean	ADG	FCR	SC	Hgt	Lgt						
								DIRECT CALF TRAITS		DAUGHTER TRAITS			GROWTH		EFF.	REP	MEASURE-MENTS			R:				
								Progeny Birth Weight	Progeny Wean Weight	Ease of Calving	Milk prod.	Mature Weight	Post Wean Weight	Daily Gain	Feed Conv		Height & Length							
38	P.F. SCHEEPERS	CEF 190364			BBM 140034	GT		106	93	100	115	103	91	96	89	125	91	104	-					
					CEF 160242		0.38	10.3	-0.20	8.0	14.0	15.5	80	-23	30.2	-6	20	-	6.96					
						24.03.19	76	72	52	56	43	62	67	20	75	55	54							
					SP		30	242	102				93	-	360	-	-		47.8					

BULLS

Lot	Seller	ID	PARENTS	Test	Birth Dir	Wean Dir	Birth Mat	Wean Mat	Mat Wgt	Post Wean	ADG	FCR	SC	Hgt	Lgt	LHR	BWR	WWR	Semen Users	Breeder Own Remarks	
38	P.F. SCHEEPERS	CEF 190364	BBM 140034	GT	106	93	100	115	103	91	96	89	125	91	104	-					
			CEF 160242		0.38	10.3	-0.20	8.0	14.0	15.5	80	-23	30.2	-6	20	6.96					
				24.03.19	76	72	52	56	43	62	67	20	75	55	54						
			SP		30	242	102				93	-	360	-	-	47.8					Geskik vir verse




LOT 39: CEF 18-0467 | ZINABOS BONSMARAS



Lot 39

CEF 180467
SPN Mat. 98

CEF 150346
SPN Mat. 105
Sub Merit



CEF 160100
AFC 27 SPN Mat. 100
ICP 361 Age/Calv. 4/3
RI 117 Avg. Wt/Calf 123/3

CEF 130322
SPN Mat. 98

CEF 120177
AFC 30 SPN Mat. 122
ICP 496 Age/Calv. 4/2
Avg. Wt/Calf 110/1

ADV 100068
SPN Mat. 47

CEF 080633
AFC 29 SPN Mat. 115
ICP 469 Age/Calv. 8/5
Avg. Wt/Calf 109/5

CEF 100412
SPN Mat. 105
CEF 100170
SPN Mat. 89
CEF 100481
SPN Mat. 125
CEF 100072
SPN Mat. 109
SYF 070036
SPN Mat. 69
ADV 070142
SPN Mat. 53
CEF 030447
SPN Mat. 97
CEF 040010
SPN Mat. 87

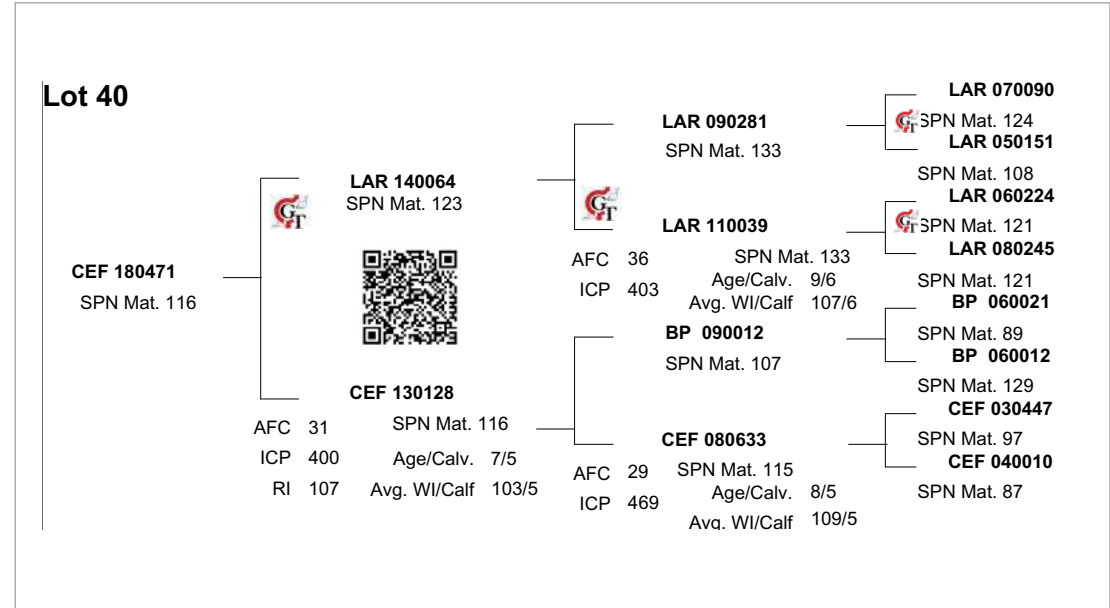
**KLIK HIER
VIR VIDEO**

Lot	Seller	ID	PARENTS		Test	Breeding Value Indexes										LHR	BWR	WWR	Semen Users	Breeder Own Remarks
			SIRE	DAM		Birth Dir	Wean Dir	Birth Mat	Wean Mat	Mat Wgt	Post Wean	ADG	FCR	SC	Hgt					
		POLLED	GV	PV	Genomic Tested	Acc	Acc	Acc	Acc	Acc	Acc	Acc	Acc	Acc	Acc	Acc	Acc	Acc	Acc	
		Gen	GV	PV	DNA	Wgt kg	Wgt kg	Ind	kg	kg	kg	365d Ind	540d Ind	Ind	Ind	(mm)	(mm)	(mm)		
39	P.F. SCHEEPERS	CEF 180467	CEF 150346	GT		101	136	118	98	130	136	126	103	110	125	133	1.24			
						0.97	30.0	-1.01	3.3	43.0	47.4	220	-54	17.7	22	61				
			CEF 160100			74	68	43	45	39	52	64	40	73	75	71	6.54			
		SP		24.08.18		30	300	134			-		113	-	339	1190	1480	58.1		

BULLS



LOT 40: CEF 18-0471 | ZINABOS BONSMARAS

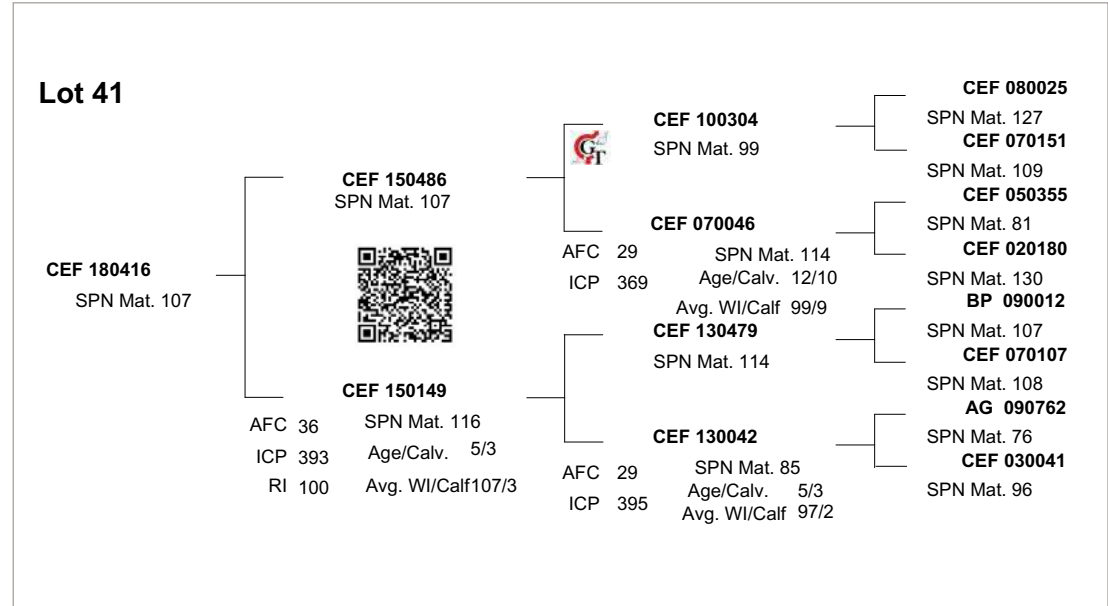


**KLIK HIER
VIR VIDEO**

Lot	Seller	ID	PARENTS	Test	DIRECT CALF TRAITS		DAUGHTER TRAITS			GROWTH		EFF.	REP	MEASURE-MENTS			R:	Breeder Own Remarks					
					Progeny Birth Weight	Progeny Wean Weight	Ease of Calving	Milk prod.	Mature Weight	Post Wean Weight	Daily Gain			Feed Conv	Height & Length								
					Breeding Value Indexes													Semen Users	Breeder Own Remarks				
Lot	Seller	ID	POLLED	Gen	SIRE GV PV	DAM GV PV	Genomic Tested DNA	Birth Dir Acc	Wean Dir Acc	Birth Mat Acc	Wean Mat Acc	Mat Wgt Acc	Post Wean Acc	ADG Acc	FCR Acc	SC Acc	Hgt Acc			Lgt Acc	LHR	BWR	WWR
40	P.F. SCHEEPERS	CEF 180471	LAR 140064	GT	95	119	98	116	134	122	121	105	113	118	120	1.2							
			CEP 130128		1.51	22.1	-0.10	8.4	48.0	37.9	198	-57	20.7	16	42								
		SP		29.08.18	77	73	54	56	42	63	69	47	76	77	74	6.3							
					37	298	110			-	112	-	340	1222	1463	47.6							



LOT 41: CEF 18-0416 | ZINABOS BONSMARAS



**KLIK HIER
VIR VIDEO**

Lot	Seller	ID	PARENTS		Test	DIRECT CALF TRAITS					DAUGHTER TRAITS			GROWTH		EFF.	REP	MEASURE-MENTS			R:	Breeder Own Remarks			
			SIRE	DAM		Progeny Birth Weight	Progeny Wean Weight	Ease of Calving	Milk prod.	Mature Weight	Post Wean Weight	Daily Gain	Feed Conv	Height & Length											
Lot	Seller	ID	PARENTS		Test	Breeding Value Indexes															LHR	BWR	WWR	Semen Users	Breeder Own Remarks
			SIRE	DAM		Birth Dir	Wean Dir	Birth Mat	Wean Mat	Mat Wgt	Post Wean	ADG	FCR	SC	Hgt	Lgt									
			GV	PV	Genomic Tested	Acc	Acc	Acc	Acc	Acc	365d Ind	540d Ind	Ind	Ind	(mm)	(mm)	(mm)								
41	P.F. SCHEEPERS	CEF 180416	CEF 150486	GT	99	99	109	107	102	92	98	99	103	105	104	1.2									
					1.08	13.0	-0.60	6.0	12.0	16.1	89	-46	12.5	6	20	8.58									
			CEF 150149		76	70	47	49	43	55	66	27	74	76	72										
		SP		06.08.18	35	265	114			-	90	-	364	1172	1410	52.4									

BULLS



LOT 42: CEF 18-0485 | ZINABOS BONSMARAS



Lot 42 Geskik vir verse

CEF 180485
SPN Mat. 85

CEF 130317
SPN Mat. 72

CEF 130005
AFC 29 SPN Mat. 99
ICP 366 Age/Calv. 7/6
RI 115 Avg. WI/Calv 95/6

CEF 110301
SPN Mat. 75

CEF 100161
AFC 30 SPN Mat. 102
ICP 369 Age/Calv. 10/8
 Avg. WI/Calv 104/6

AG 070480
SPN Mat. 111

CEF 050032
AFC 33 SPN Mat. 86
ICP 398 Age/Calv. 14/11
 Avg. WI/Calv 99/9

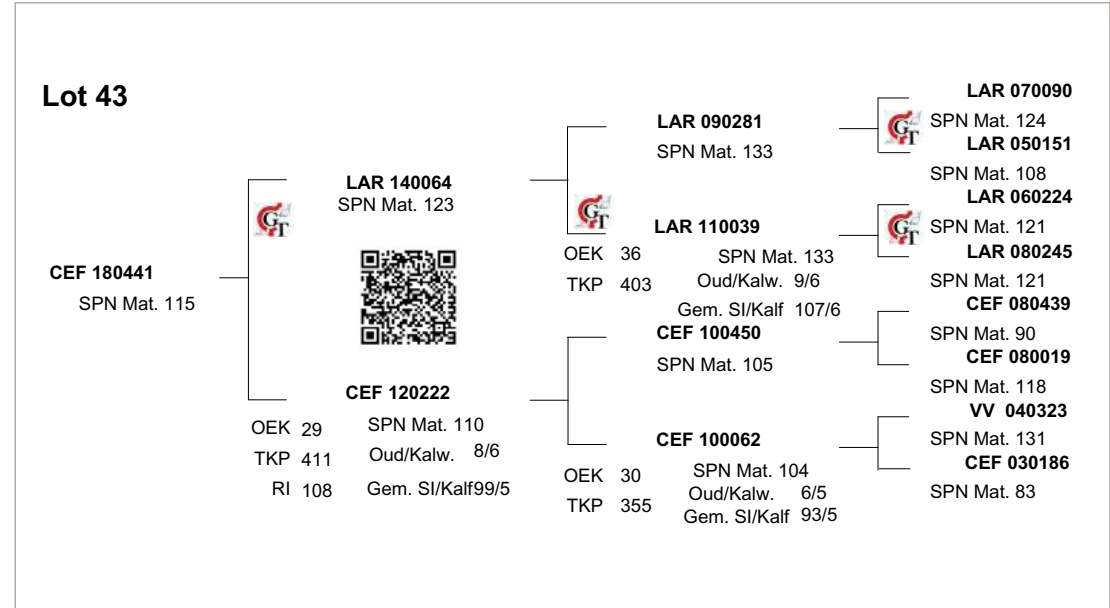
CEF 080338
SPN Mat. 88
CEF 080218
SPN Mat. 94
HOT 060054
SPN Mat. 117
CEF 020218
SPN Mat. 76
AG 020251
SPN Mat. 121
BZ 010192
SPN Mat. 111
CEF 020303
SPN Mat. 81
CEF 020167
SPN Mat. 110

**KLIK HIER
VIR VIDEO**

Lot	Seller	ID	PARENTS		Test	DIRECT CALF TRAITS		DAUGHTER TRAITS			GROWTH		EFF.	REP	MEASURE-MENTS			R:	Breeder Own Remarks			
			SIRE	PV		Progeny Birth Weight	Progeny Wean Weight	Ease of Calving	Milk prod.	Mature Weight	Post Wean Weight	Daily Gain			Feed Conv	Height & Length						
Lot	Seller	ID	POLLED	Gen	Genomic Tested	Birth Dir	Wean Dir	Birth Mat	Wean Mat	Mat Wgt	Post Wean	ADG	FCR	SC	Hgt	Lgt	LHR	BWR	WWR	Semen Users	Breeder Own Remarks	
																						DAM
						Breeding Value Indexes																
						365d Ind	540d Ind	Ind	Ind	Ind	Ind	(mm)	(mm)	(mm)								
42	P.F. SCHEEPERS	CEF 180485			GT	122	102	106	85	100	108	110	106	107	82	99	1.2				Gesik vir verse	
						-1.27	14.6	-0.47	-0.2	9.0	28.1	145	-59	15.7	-14	13						
		SP			07.09.18	78	74	58	62	52	64	69	37	76	77	74	5.98					
						33	259	100				101	-	334	1136	1368	45.6					



LOT 43: CEF 18-0441 | ZINABOS BONSMARAS



**KLIK HIER
VIR VIDEO**

Lot	Seller	ID	PARENTS	Test	DIRECT CALF TRAITS		DAUGHTER TRAITS			GROWTH		EFF.	REP	MEASURE-MENTS			R:	Breeder Own Remarks					
					Progeny Birth Weight	Progeny Wean Weight	Ease of Calving	Milk prod.	Mature Weight	Post Wean Weight	Daily Gain			Feed Conv	Height & Length								
					Breeding Value Indexes													Semen Users	Breeder Own Remarks				
Lot	Seller	ID	POLLED	Gen	SIRE GV PV	DAM GV PV	Genomic Tested DNA	Birth Dir Acc	Wean Dir Acc	Birth Mat Acc	Wean Mat Acc	Mat Wgt Acc	Post Wean Acc	ADG Acc	FCR Acc	SC Acc	Hgt Acc			Lgt Acc	LHR	BWR	WWR
43	P.F. SCHEEPERS	CEF 180441	LAR 140064	GT	107	97	103	115	103	100	110	101	107	96	106	1.22							
			CEF 120222		0.30	12.3	-0.35	8.0	13.0	21.9	144	-50	15.4	-2	23	6.04							
		SP		18.08.18	33	260	95			-	90	-	354	1167	1427	44.1							





LOT 44: CEF 18-0425 | ZINABOS BONSMARAS



Lot 44 Geskik vir verse

CEf 180425
 SPN Mat. 96


CEf 130548
 SPN Mat. 148




CEf 110003
 OEK 31 SPN Mat. 45
 TKP 357 Oud/Kalw. 8/7
 RI 114 Gem. SI/Kalf 92/7

CEf 110046
 Elite-Silwer
 OEK 30 SPN Mat. 135
 TKP 392 Oud/Kalw. 10/8
 Gem. SI/Kalf 109/7

CEf 080423
 SPN Mat. 40

CEf 080094
 OEK 33 SPN Mat. 89
 TKP 389 Oud/Kalw. 5/3
 Gem. SI/Kalf 97/3

WAT 070090
 SPN Mat. 119
GJN 080116
 SPN Mat. 95
CEf 080435
 SPN Mat. 94
CEf 080110
 SPN Mat. 132
CEf 060325
 SPN Mat. 56
CEf 020104
 SPN Mat. 85
CEf 050392
 SPN Mat. 75
CEf 050004
 SPN Mat. 118

Lot	Seller	ID	PARENTS		Test	DIRECT CALF TRAITS		DAUGHTER TRAITS			GROWTH		EFF.	REP	MEASURE-MENTS			R:	Breeder Own Remarks														
			SIRE GV PV	DAM GV PV		Progeny Birth Weight	Progeny Wean Weight	Ease of Calving	Milk prod.	Mature Weight	Post Wean Weight	Daily Gain			Feed Conv	Height & Length																	
						Breeding Value Indexes																											
		POLLED Gen	Genomic Tested DNA	Birth Dir Acc	Wean Dir Acc	Birth Mat Acc	Wean Mat Acc	Mat Wgt Acc	Post Wean Acc	ADG Acc	FCR Acc	SC Acc	Hgt Acc	Lgt Acc	LHR	BWR	WWR	Semen Users															
																		Birth Date	Wgt kg	Wgt kg	Ind	kg	kg	kg	365d Ind	540d Ind	Ind	Ind	(mm)	(mm)	(mm)		
																		Gen															

BULLS

44	P.F. SCHEEPERS	CEF 180425	CEF 130548	GT	119	104	116	96	88	102	96	95	102	80	96	1.23		Gesik vir verse
			CEF 110003		-0.94	15.3	-0.91	2.9	-4.0	23.4	77	-35	11.4	-16	9	7		
					77	74	58	61	51	62	69	23	76	77	74			
			SP	12.08.18	35	244	93				99	-	369	1155	1423	44.9		

KLIK HIER VIR VIDEO



LOT 45: CEF 18-0406 | ZINABOS BONSMARAS



Lot 45 Geskik vir verse

CEf 180406 SPN Mat. 92

DAJ 150086 SPN Mat. 114

CEf 160068
 OEK 28 SPN Mat. 76
 TKP 378 Oud/Kalw. 4/3
 RI 115 Gem. SI/Kalf 105/3

TOR 070049 SPN Mat. 114

DAJ 120094
 OEK 36 SPN Mat. 112
 TKP 416 Oud/Kalw. 8/5
 Gem. SI/Kalf 105/5

CEf 110301 SPN Mat. 75

CEf 090251
 OEK 28 SPN Mat. 75
 TKP 396 Oud/Kalw. 8/6
 Gem. SI/Kalf 99/5

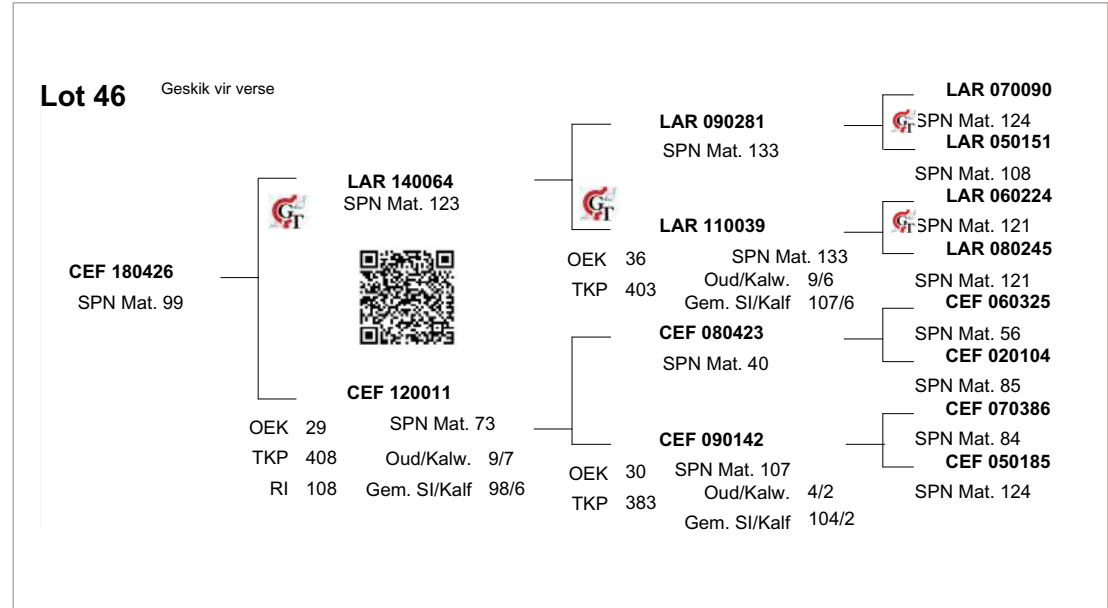
FCT 000065 SPN Mat. 83
RAI 000032 SPN Mat. 112
LAR 070038 SPN Mat. 102
DAJ 080010 SPN Mat. 95
CEf 080338 SPN Mat. 88
CEf 080218 SPN Mat. 94
CEf 070464 SPN Mat. 70
CEf 060080 SPN Mat. 67

**KLIK HIER
VIR VIDEO**

Lot	Seller	ID	PARENTS		Test	Breeding Value Indexes										LHR	BWR	WWR	Semen Users	Breeder Own Remarks
			SIRE	PV		Birth Dir	Wean Dir	Birth Mat	Wean Mat	Mat Wgt	Post Wean	ADG	FCR	SC	Hgt					
			DAM		Genomic Tested		GROWTH		EFF.		REP		MEASURE-MENTS			R:				
			GV	PV	DNA	Progeny Birth Weight	Progeny Wean Weight	Ease of Calving	Milk prod.	Mature Weight	Post Wean Weight	Daily Gain	Feed Conv	Height & Length						
			GV	PV	Birth Date	Wgt kg	Wgt kg	Ind	kg	kg	kg	365d Ind	540d Ind	Ind	Ind	(mm)	(mm)	(mm)		
45	P.F. SCHEEPERS	CEf 180406	DAJ 150086		GT	121	104	115	92	105	100	91	88	103	88	98	1.22			
						-1.16	15.2	-0.89	1.8	15.0	22.5	56	-22	12.3	-9	11				
			CEf 160068			76	72	50	53	45	58	67	32	75	76	73	7.21			
		SP			25.07.18	29	241	105			-		102	-	349	1137	1384	51.6		Geskik vir verse



LOT 46: CEF 18-0426 | ZINABOS BONSMARAS

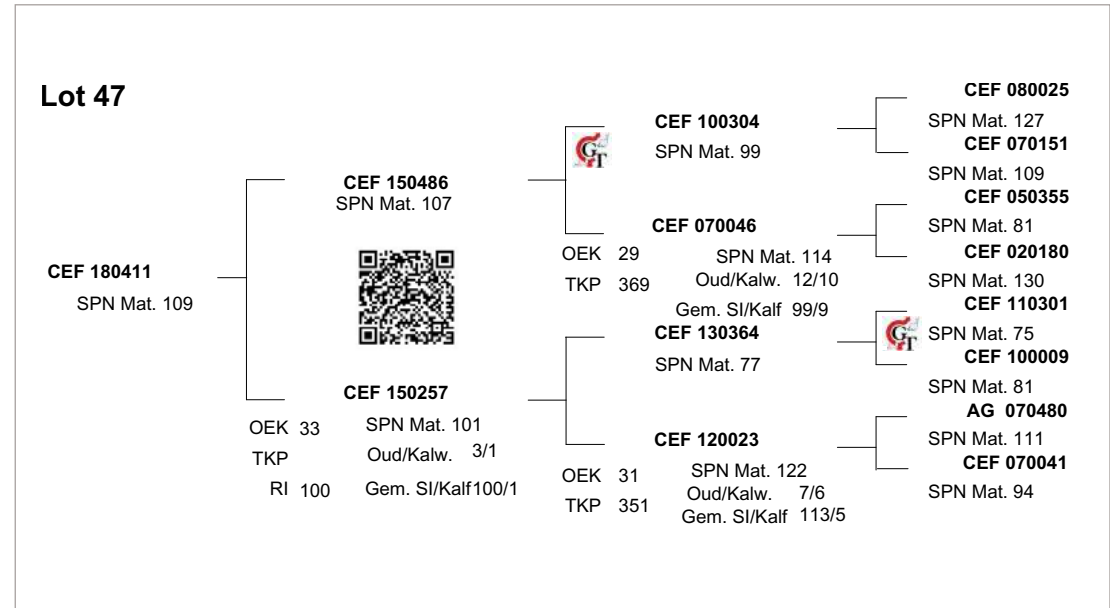


**KLIK HIER
VIR VIDEO**

Lot	Seller	ID	PARENTS		Test	Breeding Value Indexes										LHR	BWR	WWR	Semens Users	Breeder Own Remarks
			SIRE	PV		Birth Dir	Wean Dir	Birth Mat	Wean Mat	Mat Wgt	Post Wean	ADG	FCR	SC	Hgt					
		POLLED	DAM	PV	DNA	Acc	Acc	Acc	Acc	Acc	Acc	Acc	Acc	Acc	Acc	Acc	Acc	Acc	Acc	
		Gen	GV	PV	Birth Date	Wgt kg	Wgt kg	Ind	kg	kg	kg	365d Ind	540d Ind	Ind	Ind	(mm)	(mm)	(mm)		
46	P.F. SCHEEPERS	CEF 180426	LAR 140064		GT	116	96	86	99	108	96	105	104	103	98	92	1.15		Geskik vir verse	
						-0.71	11.8	0.43	3.5	19.0	19.4	120	-56	12.6	-1	4	6.51			
		SP	CEF 120011		12.08.18	37	243	92				97	-	354	1185	1363	38.6			



LOT 47: CEF 18-0411 | ZINABOS BONSMARAS



**KLIK HIER
VIR VIDEO**

Lot	Seller	ID	PARENTS		Test	Breeding Value Indexes										LHR	BWR	WWR	Semen Users	Breeder Own Remarks
			SIRE	DAM		Birth Dir	Wean Dir	Birth Mat	Wean Mat	Mat Wgt	Post Wean	ADG	FCR	SC	Hgt					
			GV	PV	Genomic Tested	Acc	Acc	Acc	Acc	Acc	Acc	Acc	Acc	Acc	Acc	Acc	Acc	Acc	Acc	Acc
			Gen	PV	DNA	Wgt kg	Wgt kg	Ind	kg	kg	kg	365d Ind	540d Ind	Ind	Ind	(mm)	(mm)	(mm)		
47	P.F. SCHEEPERS	CEF 180411	CEF 150486	GT		71	112	86	109	89	112	115	107	99	110	107	1.18			
					4.09	18.8	0.47	6.3	-2.0	30.7	167	-62	8.9	10	24	9.28				
		CEP 150257		75	70	44	47	40	55	65	28	74	75	72						
		SP			29.07.18	45	246	100						115	-	334	1188	1406	60.3	



LOT 48: CEF 18-0428 | ZINABOS BONSMARAS



Lot 48

CEF 180428
 SPN Mat. 97

CEF 130317
 SPN Mat. 72

CEF 090191
 OEK 31 SPN Mat. 125
 TKP 384 Oud/Kalw. 9/7
 RI 110 Gem. SI/Kalf 108/7

CEF 110301
 SPN Mat. 75

CEF 100161
 OEK 30 SPN Mat. 102
 TKP 369 Oud/Kalw. 10/8
 Gem. SI/Kalf 104/6

CEF 060349
 SPN Mat. 96

CEF 010098
 OEK 30 SPN Mat. 114
 TKP 387 Oud/Kalw. 10/8
 Gem. SI/Kalf 101/8

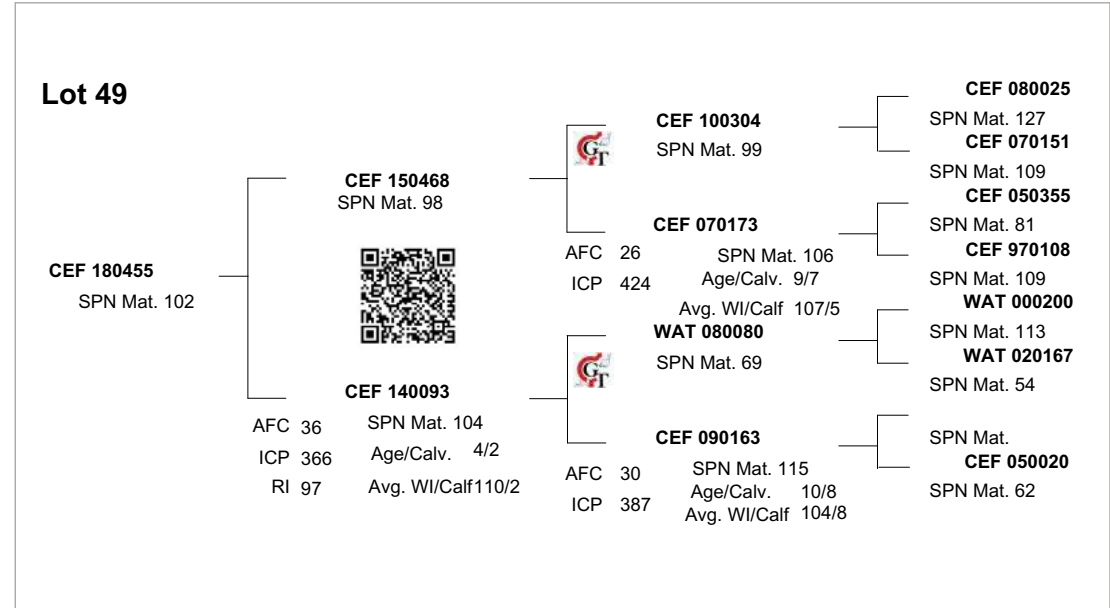
CEF 080338
 SPN Mat. 88
CEF 080218
 SPN Mat. 94
HOT 060054
 SPN Mat. 117
CEF 020218
 SPN Mat. 76
CEF 020328
 SPN Mat. 87
CEF 960086
 SPN Mat. 95
SAS 960037
 SPN Mat. 124
CEF 900104
 SPN Mat. 93

**KLIK HIER
VIR VIDEO**

Lot	Seller	ID	PARENTS		Test	Breeding Value Indexes										LHR	BWR	WWR	Semen Users	Breeder Own Remarks
			SIRE	PV		Birth Dir	Wean Dir	Birth Mat	Wean Mat	Mat Wgt	Post Wean	ADG	FCR	SC	Hgt					
			DAM		Genomic Tested		Ease of Calving		Milk prod.	Mature Weight	Post Wean Weight	Daily Gain	Feed Conv	MEASURE-MENTS			R:			
			GV	PV	DNA	Acc	Acc	Acc	Acc	Acc	Acc	Acc	Acc	Acc	Acc	Acc	Acc	Height & Length		
			GV	PV	Birth Date	Wgt kg	Wgt kg	Ind	kg	kg	kg	365d Ind	540d Ind	Ind	Ind	(mm)	(mm)	(mm)		
48	P.F. SCHEEPERS	CEF 180428	CEF 130317	GT		78	145	99	97	142	147	132	111	119	120	137	1.25			
						3.37	34.3	-0.14	3.1	56.0	55.8	250	-71	25.2	18	66				
			CEF 090191			78	74	59	63	50	64	69	36	76	77	75	6.95			
		SP		12.08.18		44	309	111			-		106	-	353	1195	1493	44.5		



LOT 49: CEF 18-0455 | ZINABOS BONSMARAS

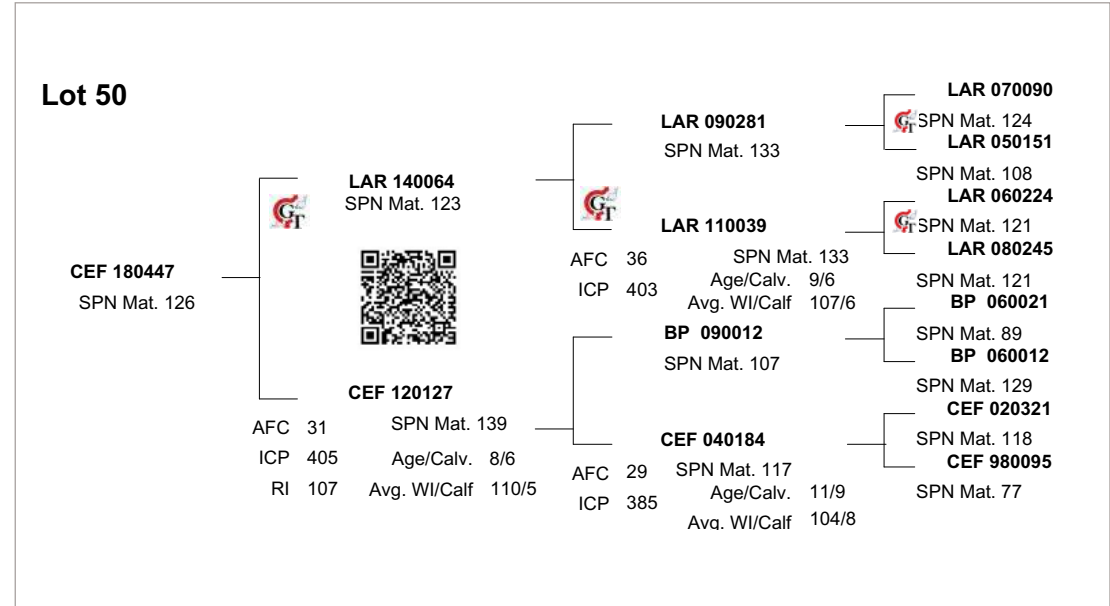


**KLIK HIER
VIR VIDEO**

Lot	Seller	ID	PARENTS		Test	Breeding Value Indexes										LHR	BWR	WWR	Semen Users	Breeder Own Remarks
			SIRE	PV		Birth Dir	Wean Dir	Birth Mat	Wean Mat	Mat Wgt	Post Wean	ADG	FCR	SC	Hgt					
		POLLED	DAM	PV	DNA	Acc	Acc	Acc	Acc	Acc	Acc	Acc	Acc	Acc	Acc	Acc	Acc	Acc	Acc	
		Gen	GV	PV	Birth Date	Wgt kg	Wgt kg	Ind	kg	kg	kg	365d Ind	540d Ind	Ind	Ind	(mm)	(mm)	(mm)		
49	P.F. SCHEEPERS	CEFC 180455	CEFC 150468	GT		85	109		104	102	104	110	117	105	124	117	119	1.22		
			CEFC 140093		2.58	17.8	-0.35	4.6	14.0	29.1	179	-57	29.5	15	42	6.89				
		SP	21.08.18	39	272	104						103			396	1219	1488	44.9		



LOT 50: CEF 18-0447 | ZINABOS BONSMARAS



**KLIK HIER
VIR VIDEO**

Lot	Seller	ID	PARENTS		Test	Breeding Value Indexes										LHR	BWR	WWR	Semen Users	Breeder Own Remarks
			SIRE	DAM		Birth Dir	Wean Dir	Birth Mat	Wean Mat	Mat Wgt	Post Wean	ADG	FCR	SC	Hgt					
		POLLED	GV	PV	Genomic Tested	Acc	Acc	Acc	Acc	Acc	Acc	Acc	Acc	Acc	Acc	Acc	Acc	Acc	Acc	
		Gen	GV	PV	DNA	Wgt kg	Wgt kg	Ind	kg	kg	kg	365d Ind	540d Ind	Ind	Ind	(mm)	(mm)	(mm)		
50	P.F. SCHEEPERS	CEP 180447	LAR 140064	GT	80	140	100	126	140	137	125	108	114	118	123	1.21				
			CEP 120127	DNA	3.11	31.8	-0.21	11.2	54.0	48.2	214	-65	21.3	16	46	6.98				
		SP		19.08.18	44	343	126				119	-	337	1208	1467	50.3				



LOT 51: CEF 18-0408 | ZINABOS BONSMARAS



Lot 51 Geskik vir verse

CEJ 180408 SPN Mat. 89

DAJ 150086 SPN Mat. 114

CEJ 160089 SPN Mat. 74
AFC 27 ICP 386 RI 115 Age/Calv. 4/3 Avg. Wl/Calf 111/2

TOR 070049 SPN Mat. 114

DAJ 120094 SPN Mat. 112
AFC 36 ICP 416 Age/Calv. 8/5 Avg. Wl/Calf 105/5

MRW 100125 SPN Mat. 84

CEJ 060085 SPN Mat. 59
AFC 27 ICP 396 Age/Calv. 11/9 Avg. Wl/Calf 94/7

FCT 000065 SPN Mat. 83
RAI 000032 SPN Mat. 112
LAR 070038 SPN Mat. 102
DAJ 080010 SPN Mat. 95
WSS 070005 P SPN Mat. 97
MRW 020190 SPN Mat. 87
CEJ 030450 SPN Mat. 72
CEJ 030199 SPN Mat. 70

**KLIK HIER
VIR VIDEO**

Lot	Seller	ID	PARENTS		Test	DIRECT CALF TRAITS		DAUGHTER TRAITS			GROWTH		EFF.	REP	MEASURE-MENTS			R:		
			SIRE	DAM		Progeny Birth Weight	Progeny Wean Weight	Ease of Calving	Milk prod.	Mature Weight	Post Wean Weight	Daily Gain			Feed Conv	Height & Length				
Lot	Seller	ID	PARENTS		Genomic Tested DNA	Breeding Value Indexes											LHR	BWR	WWR	Breeder Own Remarks
			SIRE	DAM		Birth Dir	Wean Dir	Birth Mat	Wean Mat	Mat Wgt	Post Wean	ADG	FCR	SC	Hgt	Lgt				
			POLLED		Birth Date	Wgt kg	Wgt kg	Ind	kg	kg	kg	365d Ind	540d Ind	Ind	Ind	(mm)	(mm)	(mm)		
51	P.F. SCHEEPERS	CEJ 180408	DAJ 150086	GT		133	95	117	89	105	88	92	100	87	81	87	1.19			
		SP	CEJ 160089		-2.43	11.1	-0.98	0.9	15.0	13.7	62	-46	-0.8	-15	-3	6.87				
					25.07.18	25	254	114			90	-	326	1137	1354	58.9				



LOT 52: CEF 19-0424 | ZINABOS BONSMARAS



Lot 52

CEF 190424
SPN Mat. 115

CEF 150487
SPN Mat. 136

CEF 130548
SPN Mat. 148

CEF 130036
AFC 29 SPN Mat. 113
ICP 376 Age/Calv. 4/3
Avg. Wt/Calv 108/3

CEF 110301
SPN Mat. 75

CEF 150121
AFC 33 SPN Mat. 100
ICP 365 Age/Calv. 6/4
RI 109 Avg. Wt/Calv 113/2

GJN 100238
SPN Mat. 109
CEF 110046
SPN Mat. 135
CEF 100412
SPN Mat. 105
CEF 100152
SPN Mat. 98
CEF 080338
SPN Mat. 88
CEF 080218
SPN Mat. 94
CEF 040431
SPN Mat. 88
CEF 030141
SPN Mat. 121

Elite-Gold
CEF 070107
AFC 29 SPN Mat. 108
ICP 363 Age/Calv. 13/12
Avg. Wt/Calv 99/11

**KLIK HIER
VIR VIDEO**

Lot	Seller	ID	PARENTS		Test	DIRECT CALF TRAITS		DAUGHTER TRAITS			GROWTH		EFF.	REP	MEASURE-MENTS			R:		
			SIRE	DAM		Progeny Birth Weight	Progeny Wean Weight	Ease of Calving	Milk prod.	Mature Weight	Post Wean Weight	Daily Gain			Feed Conv	Height & Length				
Lot	Seller	ID	POLLED		Genomic Tested	Birth Dir	Wean Dir	Birth Mat	Wean Mat	Mat Wgt	Post Wean	ADG	FCR	SC	Hgt	Lgt	LHR	BWR	WWR	Breeder Own Remarks
			GV	PV																
52	P.F. SCHEEPERS	CEF 190424	SP	SP	GT	92	143	109	115	134	149	143	112	111	122	136	-			
						1.90	33.4	-0.58	8.2	47.0	56.6	298	-72	19.1	19	64				
						76	71	46	49	41	58	66	34	74	54	52	5.31			
					28.04.19	35	281	123			-	140	-	325	-	-	47.1			

BULLS



LOT 53: CEF 19-0346 | ZINABOS BONSMARAS



Lot 53 Geskik vir verse

CEF 190346
SPN Mat. 97

BBM 150057
SPN Mat. 107

BBM 110069
SPN Mat. 117

Elite-Bronze

BBM 120143
SPN Mat. 107

AFC 31 ICP 402

Avg. Wl/Calf 109/5

GCD 090102
SPN Mat. 94

CEF 040144
SPN Mat. 97

AFC 30 ICP 399

Avg. Wl/Calf 103/6

BBM 070063
SPN Mat. 105
JRB 030026
SPN Mat. 122
FCT 080118
SPN Mat. 86
BBM 100041
SPN Mat. 98
DAJ 050055
SPN Mat. 94
GCD 050018
SPN Mat. 97
CEF 990259
SPN Mat. 85
CEF 980148
SPN Mat. 99

**KLIK HIER
VIR VIDEO**

Lot	Seller	ID	PARENTS		Test	Breeding Value Indexes											LHR	BWR	WWR	Semen Users	Breeder Own Remarks
			SIRE	PV		Birth Dir	Wean Dir	Birth Mat	Wean Mat	Mat Wgt	Post Wean	ADG	FCR	SC	Hgt	Lgt					
		POLLED	DAM	PV	Genomic Tested	Acc	Acc	Acc	Acc	Acc	Acc	Acc	Acc	Acc	Acc	Acc	Acc	Acc	Acc	Acc	Acc
		Gen	GV	PV	DNA	Wgt kg	Wgt kg	Ind	kg	kg	kg	365d Ind	540d Ind	Ind	Ind	(mm)	(mm)	(mm)			

BULLS

53	P.F. SCHEEPERS	CEF 190346	BBM 150057	GT		109	102	100	97	105	99	94	89	88	91	100	-	Gesik vir verse
						0.07	14.3	-0.17	3.1	16.0	21.4	68	-23	0.0	-6	14	5.95	
						77	73	49	53	44	62	66	18	74	52	51		
		SP	CEF 120125	17.03.19		36	221	93					112	-	314	-	-	33.6



LOT 54: CEF 19-0407 | ZINABOS BONSMARAS



Lot 54

CEF 190407
SPN Mat. 101

CEF 160450
SPN Mat. 107

CEF 120037
AFC 31 SPN Mat. 96
ICP 410 Age/Calv. 7/5
RI 106 Avg. Wl/Calv 100/5

Elite-Gold
CEF 080014
AFC 29 SPN Mat. 114
ICP 367 Age/Calv. 12/11
 Avg. Wl/Calv 106/10

NPT 070170
SPN Mat. 76

CEF 020193
AFC 31 SPN Mat. 108
ICP 390 Age/Calv. 12/10
 Avg. Wl/Calv 104/10

CEF 080025
SPN Mat. 127
CEF 070151
SPN Mat. 109
VV 040046
SPN Mat. 113
CEF 010052
SPN Mat. 86
NPT 040187
SPN Mat. 115
NPT 050053
SPN Mat. 101
TBB 980102
SPN Mat. 137
CEF 920174
SPN Mat. 87

**KLIK HIER
VIR VIDEO**

Lot	Seller	ID	PARENTS		Test	Breeding Value Indexes										LHR	BWR	WWR	Semen Users	Breeder Own Remarks
			SIRE	PV		Birth Dir	Wean Dir	Birth Mat	Wean Mat	Mat Wgt	Post Wean	ADG	FCR	SC	Hgt					
			DAM	PV	DNA	Acc	Acc	Acc	Acc	Acc	Acc	Acc	Acc	Acc	Acc	Acc	Acc	Acc	Acc	
			Gen		Birth Date	Wgt kg	Wgt kg	Ind	kg	kg	kg	365d Ind	540d Ind	Ind	Ind	(mm)	(mm)	(mm)		
54	P.F. SCHEEPERS	CEF 190407	CEF 160450		GT	100	102	122	101	102	98	97	97	88	88	99	-			
			CEF 120037			1.02	14.6	-1.21	4.3	12.0	20.9	81	-40	0.3	-9	13	6.51			
		SP		07.04.19	37	252	97					104		314			41			



LOT 55: CEF 19-0305 | ZINABOS BONSMARAS



Lot 55 Geskik vir verse

CEF 190305
SPN Mat. 97

BBM 140034
SPN Mat. 108

CEF 160116
OEK 31 TKP RI 107
SPN Mat. 87
Oud/Kalw. 3/1
Gem. Sl/Kalf 91/1

BBM 080070
SPN Mat. 96

JRB 030026
Elite-Goud
OEK 36 TKP 376
SPN Mat. 122
Oud/Kalw. 16/14
Gem. Sl/Kalf 109/13

HDT 120043 Pp(c)
SPN Mat. 75

CEF 120081
OEK 34 TKP 446
SPN Mat. 104
Oud/Kalw. 9/6
Gem. Sl/Kalf 99/5

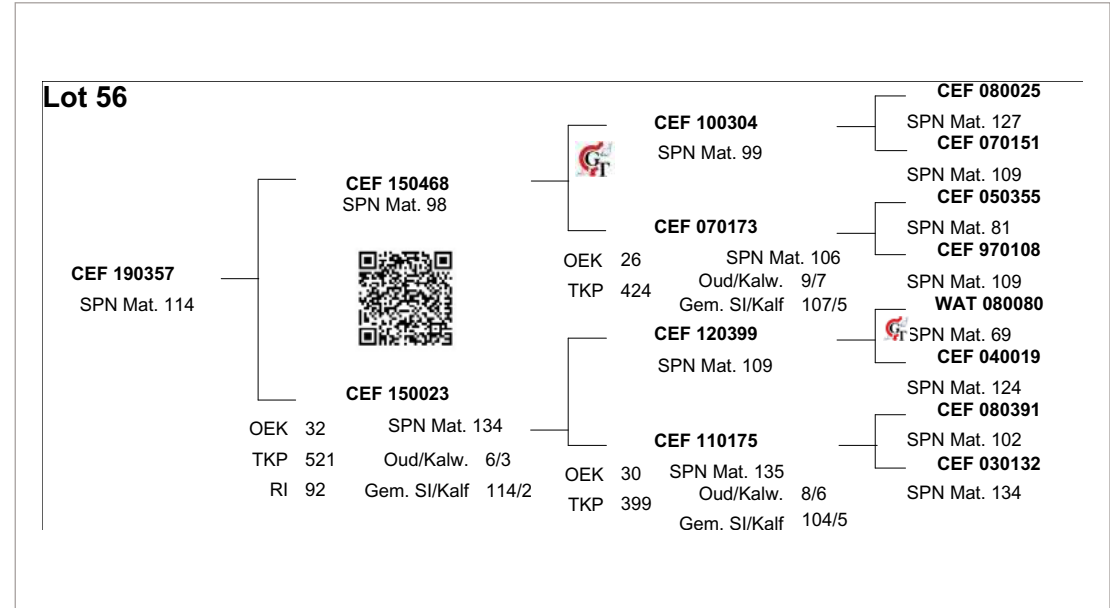
JRB 000116
SPN Mat. 71
JRB 020109
SPN Mat. 108
JRB 950073
SPN Mat. 58
JRB 980287
SPN Mat. 112
HDT 080059 P
SPN Mat. 88
HDT 090001 P
SPN Mat. 72
AG 070480
SPN Mat. 111
CEF 070007
SPN Mat. 98

Lot	Seller	ID	POLLED	Gen	PARENTS		Test	DIRECT CALF TRAITS					DAUGHTER TRAITS			GROWTH			EFF.	REP	MEASURE-MENTS			R:								
					SIRE	DAM		Progeny Birth Weight	Progeny Wean Weight	Ease of Calving	Milk prod.	Mature Weight	Post Wean Weight	Daily Gain	Feed Conv	Height & Length	Birth Dir	Wean Dir			Birth Mat	Wean Mat	Mat Wgt		Post Wean	ADG	FCR	SC	Hgt	Lgt		
								Breeding Value Indexes																								
								Birth Dir	Wean Dir	Birth Mat	Wean Mat	Mat Wgt	Post Wean	ADG	FCR	SC	Hgt	Lgt	LHR	BWR	WWR	Breeder Own Remarks										
								Acc	Acc	Acc	Acc	Acc	Acc	Acc	Acc	Acc	Acc	Acc														
								Wgt kg	Wgt kg	Ind	kg	kg	kg	365d Ind	540d Ind	Ind	Ind	(mm)	(mm)	(mm)												
55	P.F. SCHEEPERS	CEF 190305			BBM 140034	GT	111	87	105	97	83	84	92	86	120	81	95	-														
					CEF 160116	DNS	-0.12	7.5	-0.41	3.2	-9.0	10.6	60	-17	26.4	-15	7	6.27														
		SP			SC	20.02.19	76	61	51	52	40	62	68	18	75	55	54															
							25	215	91						105																	
																										Geskik vir verse						

KLIK HIER VIR VIDEO



LOT 56: CEF 19-0357 | ZINABOS BONSMARAS

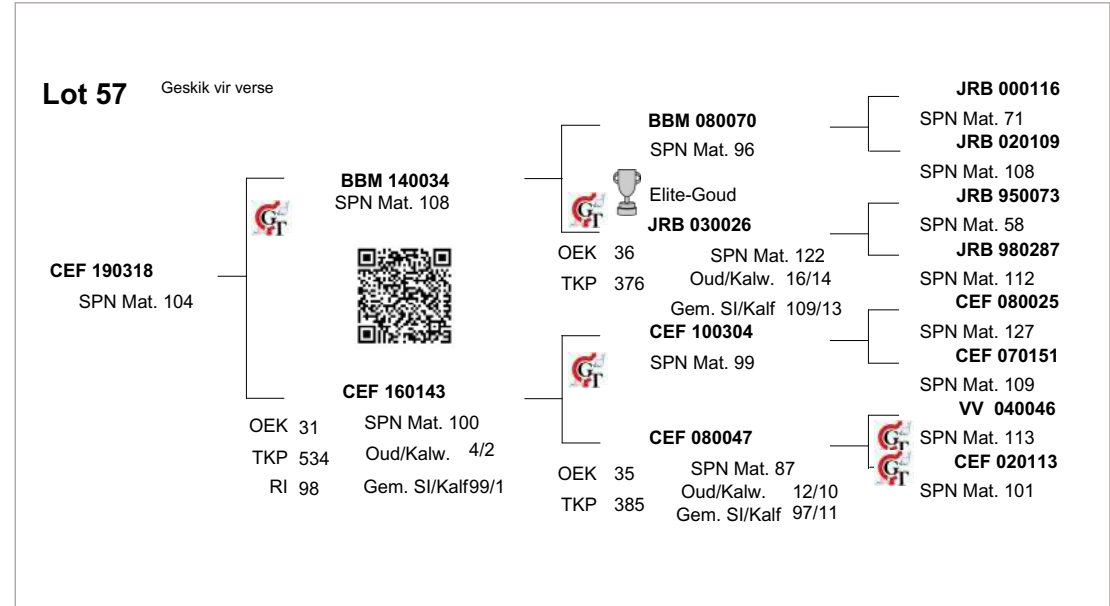


**KLIK HIER
VIR VIDEO**

Lot	Seller	ID	PARENTS	Test	DIRECT CALF TRAITS		DAUGHTER TRAITS			GROWTH		EFF.	REP	MEASURE-MENTS			R:	Breeder Own Remarks					
					Progeny Birth Weight	Progeny Wean Weight	Ease of Calving	Milk prod.	Mature Weight	Post Wean Weight	Daily Gain			Feed Conv	Height & Length								
					Breeding Value Indexes													Semen Users	Breeder Own Remarks				
Lot	Seller	ID	POLLED	Gen	SIRE GV PV	DAM GV PV	Genomic Tested DNA	Birth Dir Acc	Wean Dir Acc	Birth Mat Acc	Wean Mat Acc	Mat Wgt Acc	Post Wean Acc	ADG Acc	FCR Acc	SC Acc	Hgt Acc			Lgt Acc	LHR	BWR	WWR
56	P.F. SCHEEPERS	CEF 190357	CEP 150468	GT			86	111	109	114	99	107	108	102	113	111	112	-					
			CEP 150023		2.47	18.6	-0.62	7.9	8.0	27.1	135	-50	20.7	11	32	8.37							
		SP		21.03.19	40	280	108						97	-	353	-	-	60.9					



LOT 57: CEF 19-0318 | ZINABOS BONSMARAS



**KLIK HIER
VIR VIDEO**

Lot	Seller	ID	PARENTS		Test	DIRECT CALF TRAITS		DAUGHTER TRAITS			GROWTH		EFF.	REP	MEASURE-MENTS			R:		
			SIRE	DAM		Progeny Birth Weight	Progeny Wean Weight	Ease of Calving	Milk prod.	Mature Weight	Post Wean Weight	Daily Gain			Feed Conv	Height & Length				
Lot	Seller	ID	PARENTS		Genomic Tested DNA	Breeding Value Indexes											LHR	BWR	WWR	Breeder Own Remarks
			SIRE	DAM		Birth Dir	Wean Dir	Birth Mat	Wean Mat	Mat Wgt	Post Wean	ADG	FCR	SC	Hgt	Lgt				
		POLLED	Gen	PV	Birth Date	Wgt kg	Wgt kg	Ind	kg	kg	kg	365d Ind	540d Ind	Ind	Ind	(mm)	(mm)	(mm)		
57	P.F. SCHEEPERS	CEf 190318	SP	BBM 140034	GT	111	86	90	104	83	85	96	97	110	79	92	-	Semen Users	Breeder Own Remarks	
						-0.14	7.0	0.28	4.9	-9.0	11.4	79	-41	18.5	-16	3	7.69			
						76	72	53	56	43	63	68	29	75	56	55				
					03.03.19	30	237	99				-		95	-	344	-	-	52.4	Geskik vir verse




LOT 58: CEF 19-0382 | ZINABOS BONSMARAS



Lot 58

CEF 190382
SPN Mat. 95

VV 160038
SPN Mat. 90



CEF 160276
OEK 29 SPN Mat. 96
TKP 349 Oud/Kalw. 3/2
RI 114 Gem. SI/Kalf 91/1

VV 130147
SPN Mat. 78

Elite-Goud
VV 070239
OEK 27 SPN Mat. 96
TKP 376 Oud/Kalw. 12/11
Gem. SI/Kalf 100/12

AG 090226
SPN Mat. 71
VV 050452
SPN Mat. 109
VV 040322
SPN Mat. 97
VV 010386
SPN Mat. 112
CEF 110446
SPN Mat. 108
CEF 110061
SPN Mat. 128
AG 090762
SPN Mat. 76
CEF 070065
SPN Mat. 97

CEF 130437
SPN Mat. 127

CEF 130067
OEK 28 SPN Mat. 92
TKP 380 Oud/Kalw. 6/5
Gem. SI/Kalf 102/5

**KLIK HIER
VIR VIDEO**

Lot	Seller	ID	PARENTS		Test	Breeding Value Indexes										LHR	BWR	WWR	Semen Users	Breeder Own Remarks
			SIRE	PV		Birth Dir	Wean Dir	Birth Mat	Wean Mat	Mat Wgt	Post Wean	ADG	FCR	SC	Hgt					
		POLLED	DAM		DNA	Acc	Acc	Acc	Acc	Acc	Acc	Acc	Acc	Acc	Acc	Acc	Acc			
		Gen	GV	PV	Birth Date	Wgt kg	Wgt kg	Ind	kg	kg	kg	365d Ind	540d Ind	Ind	Ind	(mm)	(mm)	(mm)		
58	P.F. SCHEEPERS	CEF 190382	VV 160038	GT		104	104		112	95	99	105	119	109	112	104	108	-		
					0.60	15.2	-0.75	2.4	9.0	25.5	188	-67	19.4	4	26	6.37				
		SP	CEF 160276	28.03.19	30	219	91								103	-	323	-	-	44.4



LOT 59: CEF 19-0427 | ZINABOS BONSMARAS



Lot 59

CEP 190427
SPN Mat. 110

CEP 150315
SPN Mat. 105
Silver

CEP 150241
OEK 29 SPN Mat. 119
TKP 380 Oud/Kalw. 6/4
RI 113 Gem. SI/Kalf 111/3

CEP 100304
SPN Mat. 99

Elite-Goud
CEP 050121
OEK 31 SPN Mat. 96
TKP 363 Oud/Kalw. 12/10
Gem. SI/Kalf 99/10

CEP 130328
SPN Mat. 114

Elite-Brons
CEP 120045
OEK 28 SPN Mat. 99
TKP 366 Oud/Kalw. 8/7
Gem. SI/Kalf 101/6

CEP 080025
SPN Mat. 127
CEP 070151
SPN Mat. 109
CEP 010375
SPN Mat. 100
CEP 960097
SPN Mat. 96
ADV 090064
SPN Mat. 78
CEP 030109
SPN Mat. 130
CEP 080391
SPN Mat. 102
CEP 060123
SPN Mat. 87

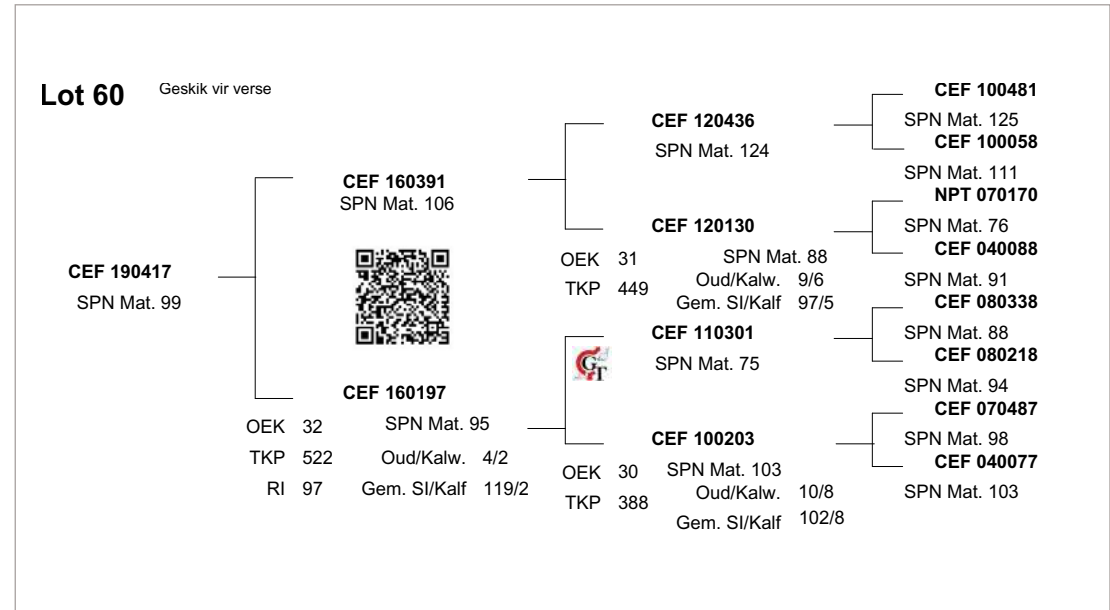
**KLIK HIER
VIR VIDEO**

Lot	Seller	ID	PARENTS		Test	Breeding Value Indexes										LHR	BWR	WWR	Semen Users	Breeder Own Remarks
			SIRE	DAM		Birth Dir	Wean Dir	Birth Mat	Wean Mat	Mat Wgt	Post Wean	ADG	FCR	SC	Hgt					
		POLLED	GV	PV	Genomic Tested	Acc	Acc	Acc	Acc	Acc	Acc	Acc	Acc	Acc	Acc	Acc	Acc	Acc	Acc	Acc
		Gen	GV	PV	DNA	Wgt kg	Wgt kg	Ind	kg	kg	kg	365d Ind	540d Ind	Ind	Ind	(mm)	(mm)	(mm)		
59	P.F. SCHEEPERS	CEP 190427	CEP 150315	GT		85	112	111	110	116	110	112	106	98	106	112	-			
			CEP 150241			2.60	19.0	-0.69	6.8	27.0	29.2	153	-60	8.6	6	31				
		SP		10.05.19		76	72	49	52	46	55	67	41	75	55	54	6.37			
						33	271	119						101	-	319	-	-	54	

BULLS



LOT 60: CEF 19-0417 | ZINABOS BONSMARAS



**KLIK HIER
VIR VIDEO**

Lot	Seller	ID	PARENTS	Test	DIRECT CALF TRAITS		DAUGHTER TRAITS			GROWTH		EFF.	REP	MEASURE-MENTS			R:	Breeder Own Remarks																		
					Progeny Birth Weight	Progeny Wean Weight	Ease of Calving	Milk prod.	Mature Weight	Post Wean Weight	Daily Gain			Feed Conv	Height & Length																					
					Breeding Value Indexes													Semen Users																		
Lot	Seller	ID	POLLED	Gen	SIRE	GV	PV	Birth Dir	Wean Dir	Birth Mat	Wean Mat	Mat Wgt	Post Wean	ADG	FCR	SC	Hgt			Lgt	LHR															
					DAM	GV	PV														DNA	Acc	Acc	Acc	Acc	Acc	Acc	Acc	Acc	Acc	Acc	Acc	Acc	Acc	Acc	BWR
60	P.F. SCHEEPERS	CEF 190417	SP	GT	CEF 160391			116	106	100	99	103	113	124	106	102	103	113	-																	
					CEF 160197			-0.64	16.2	-0.20	3.8	13.0	31.5	212	-60	11.8	3	33	6.21																	
								75	69	44	46	38	54	65	26	74	50	49																		
								19.04.19	31	261	110			118	-	320	-	-	54.4	Geskik vir verse																



LOT 61: CEF 19-0360 | ZINABOS BONSMARAS



Lot 61

CEF 190360
SPN Mat. 119

CEF 130548
SPN Mat. 148

CEF 110046
Elite-Silver
AFC 30 ICP 392
SPN Mat. 135 Age/Calv. 10/8
Avg. Wt/Calf 109/7

CEF 070473
SPN Mat. 82
Elite-Gold
AFC 27 ICP 371
SPN Mat. 96 Age/Calv. 10/9
Avg. Wt/Calf 96/9

CEF 100143
AFC 31 ICP 365 RI 114
SPN Mat. 84 Age/Calv. 11/9
Avg. Wt/Calf 98/8

WAT 070090
SPN Mat. 119
GJN 080116
SPN Mat. 95
CEF 080435
SPN Mat. 94
CEF 080110
SPN Mat. 132
CEF 040431
SPN Mat. 88
CEF 000179
SPN Mat. 115
CEF 010375
SPN Mat. 100
CEF 000125
SPN Mat. 88

**KLIK HIER
VIR VIDEO**

Lot	Seller	ID	PARENTS		Test	Breeding Value Indexes										LHR	BWR	WWR	Semen Users	Breeder Own Remarks
			SIRE	PV		Birth Dir	Wean Dir	Birth Mat	Wean Mat	Mat Wgt	Post Wean	ADG	FCR	SC	Hgt					
			DAM	PV	DNA	Acc	Acc	Acc	Acc	Acc	Acc	Acc	Acc	Acc	Acc	Acc	Acc	Acc	Acc	
			Gen		Birth Date	Wgt kg	Wgt kg	Ind	kg	kg	kg	365d Ind	540d Ind	Ind	Ind	(mm)	(mm)	(mm)		
61	P.F. SCHEEPERS	CEF 190360	CEF 130548	GT		88	114	113	119	97	113	96	96	94	85	100	-			
			CEF 100143		2.34 79	20.0 74	-0.78 59	9.2 61	6.0 52	31.2 60	77 69	-38 24	4.9 76	-11 59	14 58	7.82				
		SP	21.03.19	42	226	92					99	-	325	-	-	42.6				




LOT 62: CEF 19-0312 | ZINABOS BONSMARAS



Lot 62 Geskik vir verse

CEP 190312
SPN Mat. 101

DAJ 150086
SPN Mat. 114



CEP 160171
AFC 30 ICP 377 RI 111
SPN Mat. 90 Age/Calv. 5/3 Avg. Wl/Calf 102/2

TOR 070049
SPN Mat. 114

DAJ 120094
AFC 36 ICP 416
SPN Mat. 112 Age/Calv. 8/5 Avg. Wl/Calf 105/5

CEP 130590
SPN Mat. 82

CEP 100127
AFC 31 ICP 383
SPN Mat. 98 Age/Calv. 10/8 Avg. Wl/Calf 103/8

FCT 000065
SPN Mat. 83
RAI 000032
SPN Mat. 112
LAR 070038
SPN Mat. 102
DAJ 080010
SPN Mat. 95
CEP 110301
SPN Mat. 75
CEP 100001
SPN Mat. 109
CEP 070473
SPN Mat. 82
CEP 020184
SPN Mat. 131

**KLIK HIER
VIR VIDEO**

Lot	Seller	ID	PARENTS	Test	DIRECT CALF TRAITS		DAUGHTER TRAITS			GROWTH		EFF.	REP	MEASURE-MENTS			R:	Breeder Own Remarks
					Progeny Birth Weight	Progeny Wean Weight	Ease of Calving	Milk prod.	Mature Weight	Post Wean Weight	Daily Gain			Feed Conv	Height & Length			
					Breeding Value Indexes												Semen Users	Breeder Own Remarks
Lot	Seller	ID	PARENTS	Test	Birth Dir	Wean Dir	Birth Mat	Wean Mat	Mat Wgt	Post Wean	ADG	FCR	SC	Hgt	Lgt	LHR		
		Gen	GV PV	DNA	Acc	Acc	Acc	Acc	Acc	Acc	Acc	Acc	Acc	Acc	Acc	Acc	WWR	
				Birth Date	Wgt kg	Wgt kg	Ind	kg	kg	kg	365d Ind	540d Ind	Ind	Ind	(mm)	(mm)	(mm)	
62	P.F. SCHEEPERS	CEP 190312	DAJ 150086	GT	110	111	101	101	114	113	117	105	101	106	111	-	Gesik vir verse	
			CEP 160171		-0.07 76	18.8 72	-0.24 49	4.2 52	25.0 43	31.5 58	176 67	-58 24	10.8 75	6 55	30 54	6.05		
		SP		26.02.19	28	235	100			-		114	-	329	-	42.1		




LOT 63: CEF 17-0523 | ZINABOS BONSMARAS



Lot 63 Gebruik in kommersiële kudde

CEF 170523
SPN Mat. 119

CEF 130437
SPN Mat. 127



CEF 120066
AFC 28 SPN Mat. 113
ICP 372 Age/Calv. 8/7
RI 115 Avg. Wt/Calv 105/7

CEF 110446
SPN Mat. 108

CEF 110061
AFC 29 SPN Mat. 128
ICP Age/Calv. 2/1
Avg. Wt/Calv 110/1
LAR 050159
SPN Mat. 98

CEF 060170
AFC 31 SPN Mat. 120
ICP 410 Age/Calv. 7/5
Avg. Wt/Calv 111/4

WAT 080080
SPN Mat. 69
CEF 020119
SPN Mat. 146
CEF 080025
SPN Mat. 127
CEF 080181
SPN Mat. 93
LAR 000084
SPN Mat. 102
LAR 000227
SPN Mat. 132
CEF 020328
SPN Mat. 87
CEF 000179
SPN Mat. 115

**KLIK HIER
VIR VIDEO**

Lot	Seller	ID	PARENTS		Test	DIRECT CALF TRAITS		DAUGHTER TRAITS			GROWTH		EFF.	REP	MEASURE-MENTS			R:			
			SIRE	DAM		Progeny Birth Weight	Progeny Wean Weight	Ease of Calving	Milk prod.	Mature Weight	Post Wean Weight	Daily Gain			Feed Conv	Height & Length					
Lot	Seller	ID	POLLED	Gen	Genomic Tested	Birth Dir	Wean Dir	Birth Mat	Wean Mat	Mat Wgt	Post Wean	ADG	FCR	SC	Hgt	Lgt	LHR	BWR	WWR	Breeder Own Remarks	
																					DNA
63	P.F. SCHEEPERS	CEF 170523			GT	63	150	119	119	126	140	133	115	115	114	125	1.25				Gebruik in kommersiële kudde
					DNA	4.97	36.4	-1.04	9.1	38.0	50.7	255	-79	22.4	13	49	6.76				
		SP			01.09.17	42	286	109			-	111	-	343	1174	1464	49				

BULLS



LOT 64: LAR 16-0004 | ZINABOS BONSMARAS



Lot 64 Behou een mede eienaarskap
Gebruik in kudde

LAR 160004
SPN Mat. 100

LAR 120455
SPN Mat. 89

LAR 090349
SPN Mat. 76

LAR 050015
AFC 28 SPN Mat. 109
ICP 385 Age/Calv. 10/8
Avg. Wt/Calf 108/7

LAR 030066
SPN Mat. 109

LAR 050072
Elite-Bronze
AFC 35 SPN Mat. 117
ICP 396 Age/Calv. 11/8
RI 105 Avg. Wt/Calf 105/7

LAR 020293
Elite-Gold
AFC 35 SPN Mat. 129
ICP 404 Age/Calv. 10/7
Avg. Wt/Calf 107/7

LAR 040287
SPN Mat. 126
LAR 050189
SPN Mat. 88
LAR 010297
SPN Mat. 72
LAR 960130
SPN Mat. 135
AG 980338
SPN Mat. 87
LAR 000049
SPN Mat. 128
LAR 000235
SPN Mat. 116
LAR 980292
SPN Mat. 104

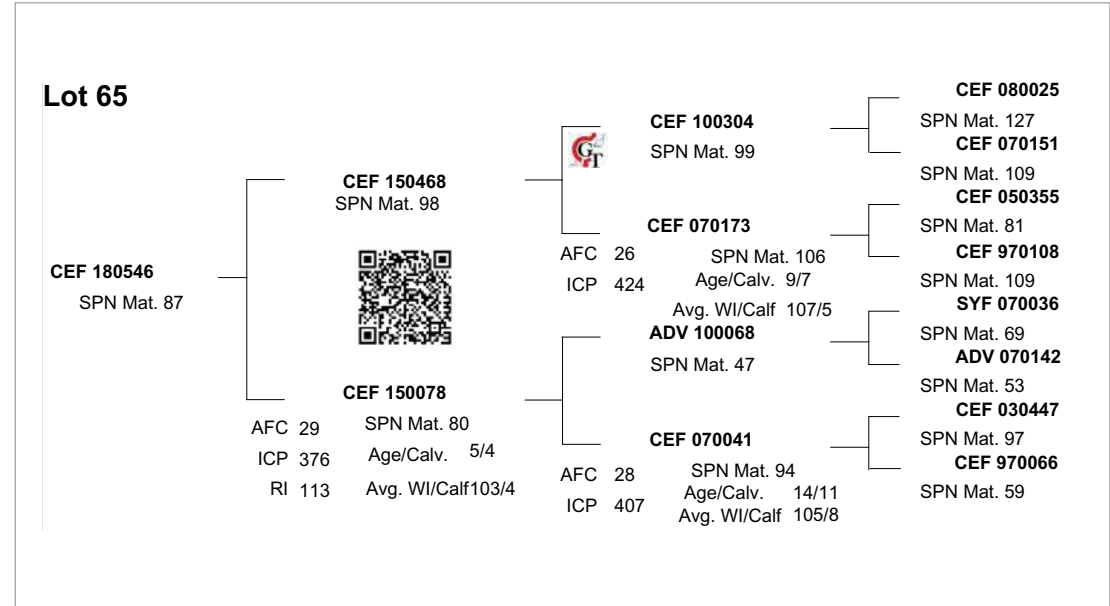
**KLIK HIER
VIR VIDEO**

Lot	Seller	ID	PARENTS	Test	DIRECT CALF TRAITS		DAUGHTER TRAITS			GROWTH		EFF.	REP	MEASURE-MENTS			R:	Semens Users	Breeder Own Remarks			
					Progeny Birth Weight	Progeny Wean Weight	Ease of Calving	Milk prod.	Mature Weight	Post Wean Weight	Daily Gain			Feed Conv	Height & Length							
					Breeding Value Indexes																	
Lot	Seller	ID	SIRE GV PV	DAM GV PV	Genomic Tested DNA	Birth Dir Acc	Wean Dir Acc	Birth Mat Acc	Wean Mat Acc	Mat Wgt Acc	Post Wean Acc	ADG Acc	FCR Acc	SC Acc	Hgt Acc	Lgt Acc	LHR	BWR	WWR	Users	Breeder Own Remarks	
																						Birth Date
64	P.F. SCHEEPERS	LAR 160004 SP	LAR 120455	PW540	95	121	107	100	114	129	128	111	106	72	105	-						Behou een mede eienaarskap ;Gebruik in kudde
				DNA	1.52	23.1	-0.51	4.1	26.0	42.5	229	-69	15.2	-22	21	-						
				21.02.16	95	91	58	63	42	82	77	47	82	83	81	-						
					37	242	110				101	104	-	-	-	-						

BULLS



LOT 65: CEF 18-0546 | ZINABOS BONSMARAS



**KLIK HIER
VIR VIDEO**

Lot	Seller	ID	PARENTS		Test	Breeding Value Indexes										LHR	BWR	WWR	Semen Users	Breeder Own Remarks
			SIRE	PV		Birth Dir	Wean Dir	Birth Mat	Wean Mat	Mat Wgt	Post Wean	ADG	FCR	SC	Hgt					
		POLLED	DAM	PV	DNA	Acc	Acc	Acc	Acc	Acc	Acc	Acc	Acc	Acc	Acc	Acc	Acc	Acc	Acc	
		Gen	GV	PV	Birth Date	Wgt kg	Wgt kg	Ind	kg	kg	kg	365d Ind	540d Ind	Ind	Ind	(mm)	(mm)	(mm)		
65	P.F. SCHEEPERS	CEF 180546	CEF 150468		GT	92	123	119	87	110	121	130	119	102	113	116	1.18			
						1.88	24.3	-1.04	0.3	21.0	37.3	240	-88	11.3	12	36	5.82			
		SP	CEF 150078		22.10.18	32	271	108				117	-	309	1158	1367	59			



LOT 66: CEF 18-0498 | ZINABOS BONSMARAS



Lot 66

CEF 180498
SPN Mat. 96

CEF 130317
SPN Mat. 72

Elite-Bronze
CEF 120058

CEF 110301
SPN Mat. 75

CEF 100161
AFC 30 SPN Mat. 102
ICP 369 Age/Calv. 10/8
Avg. Wt/Calv 104/6

LAR 050159
SPN Mat. 98

CEF 020168
AFC 31 SPN Mat. 124
ICP 444 Age/Calv. 12/9
Ava. Wt/Calv 109/9

CEF 080338
SPN Mat. 88
CEF 080218
SPN Mat. 94
HOT 060054
SPN Mat. 117
CEF 020218
SPN Mat. 76
LAR 000084
SPN Mat. 102
LAR 000227
SPN Mat. 132
CEF 980292
SPN Mat. 86
AG 920059
SPN Mat. 96

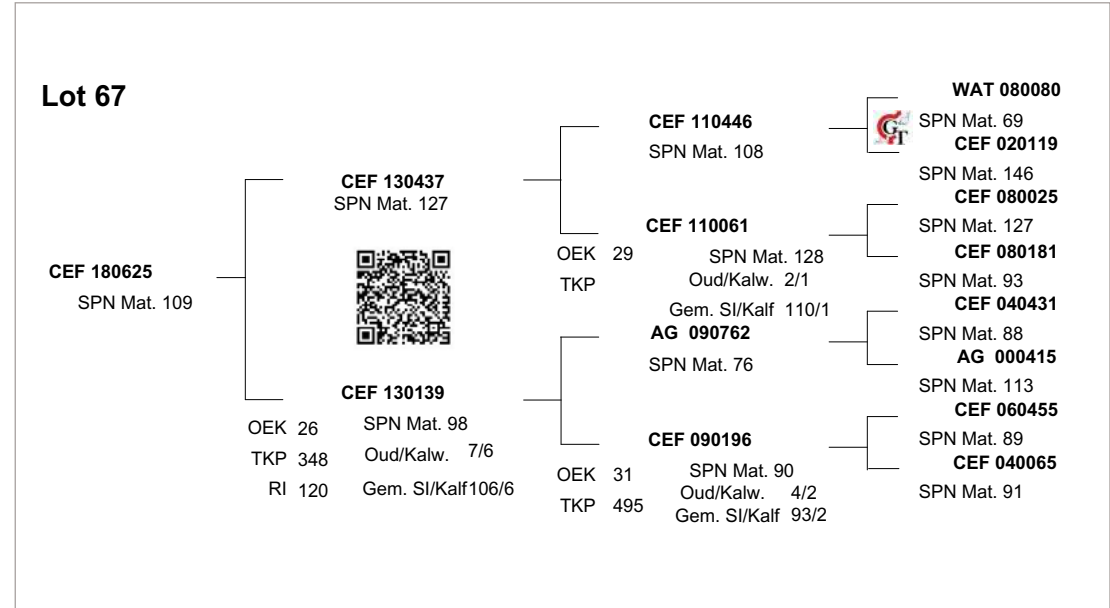
**KLIK HIER
VIR VIDEO**

Lot	Seller	ID	PARENTS	Test	DIRECT CALF TRAITS		DAUGHTER TRAITS			GROWTH		EFF.	REP	MEASURE-MENTS			R:	Breeder Own Remarks	
					Progeny Birth Weight	Progeny Wean Weight	Ease of Calving	Milk prod.	Mature Weight	Post Wean Weight	Daily Gain			Feed Conv	Height & Length				
					Breeding Value Indexes													Semen Users	Breeder Own Remarks
Lot	Seller	ID	PARENTS	Test	Birth Dir	Wean Dir	Birth Mat	Wean Mat	Mat Wgt	Post Wean	ADG	FCR	SC	Hgt	Lgt	LHR			
																	DAM		
		Gen	GV PV	DNA	Wgt kg	Wgt kg	kg	kg	kg	365d Ind	540d Ind	Ind	Ind	(mm)	(mm)	(mm)	WWW		
66	P.F. SCHEEPERS	CEF 180498	CEF 130317	GT	99	114	114	96	124	118	118	101	125	101	117	1.23			
					1.14	20.0	-0.81	2.8	37.0	34.9	181	-49	30.0	2	39	6.99			
		SP	CEF 120058	15.09.18	38	292	107			63	70	37	76	78	75				
										-		99	-	363	1160	1432	49		

BULLS



LOT 67: CEF 18-0625 | ZINABOS BONSMARAS



**KLIK HIER
VIR VIDEO**

Lot	Seller	ID	PARENTS	Test	DIRECT CALF TRAITS		DAUGHTER TRAITS			GROWTH		EFF.	REP	MEASURE-MENTS			R:	Breeder Own Remarks	
					Progeny Birth Weight	Progeny Wean Weight	Ease of Calving	Milk prod.	Mature Weight	Post Wean Weight	Daily Gain			Feed Conv	Height & Length				
					Breeding Value Indexes													Semen Users	Breeder Own Remarks
Lot	Seller	ID	PARENTS	Test	Birth Dir	Wean Dir	Birth Mat	Wean Mat	Mat Wgt	Post Wean	ADG	FCR	SC	Hgt	Lgt	LHR			
																	DAM		
		Gen	GV	PV	DNA	Wgt kg	Wgt kg	Ind	kg	kg	kg	365d Ind	540d Ind	Ind	Ind	(mm)	(mm)	(mm)	WWW
67	P.F. SCHEEPERS	CEf 180625	CEf 130437 SP	GT	85	131	105	109	111	134	135	116	127	111	118	1.18			
				DNS	2.57	27.8	-0.44	6.5	22.0	46.4	263	-82	31.9	10	40	6.32			
				07.08.18	36	285	111			122	-	380	1192	1411	54.6				



LOT 68: CEF 18-0431 | ZINABOS BONSMARAS



Lot 68

CEF 180431
SPN Mat. 88

CEF 130317
SPN Mat. 72

CEF 110039
OEK 30 SPN Mat. 113
TKP 364 Oud/Kalw. 9/8
RI 115 Gem. SI/Kalf 101/7

CEF 110301
SPN Mat. 75

CEF 100161
OEK 30 SPN Mat. 102
TKP 369 Oud/Kalw. 10/8
Gem. SI/Kalf 104/6

HOT 060054
SPN Mat. 117
Brons

CEF 070102
OEK 28 SPN Mat. 79
TKP 421 Oud/Kalw. 12/9
Gem. SI/Kalf 97/9

CEF 080338
SPN Mat. 88
CEF 080218
SPN Mat. 94
HOT 060054
SPN Mat. 117
CEF 020218
SPN Mat. 76
DB 000045
SPN Mat. 126
SAS 000143
SPN Mat. 86
CEF 050355
SPN Mat. 81
CEF 020123
SPN Mat. 69

Lot	Seller	ID	PARENTS	Test	DIRECT CALF TRAITS		DAUGHTER TRAITS			GROWTH		EFF.	REP	MEASURE-MENTS			R:	Breeder Own Remarks					
					Progeny Birth Weight	Progeny Wean Weight	Ease of Calving	Milk prod.	Mature Weight	Post Wean Weight	Daily Gain			Feed Conv	Height & Length								
					Breeding Value Indexes												Semen Users						
Lot	Seller	ID	POLLED	Gen	SIRE GV PV	DAM GV PV	Genomic Tested DNA	Birth Dir Acc	Wean Dir Acc	Birth Mat Acc	Wean Mat Acc	Mat Wgt Acc	Post Wean Acc	ADG Acc	FCR Acc	SC Acc			Hgt Acc	Lgt Acc	LHR	BWR	WWR
68	P.F. SCHEEPERS	CEF 180431	CEF 130317	GT	98	132	89	88	134	141	134	105	132	124	133	1.22							
				DNS	1.28	28.1	0.31	0.6	47.0	51.4	259	-57	36.0	21	61	5.36							
				14.08.18	78	74	59	62	50	64	69	40	76	77	75								
		SP			35	291	107						113	-	357	1206	1475	40					

BULLS

**KLIK HIER
VIR VIDEO**



LOT 69: CEF 18-0501 | ZINABOS BONSMARAS



Lot 69

CEF 180501
SPN Mat. 95

DAJ 150086
SPN Mat. 114

CEF 160031
OEK 30 SPN Mat. 76
TKP 393 Oud/Kalw. 5/3
RI 109 Gem. SI/Kalf98/2

TOR 070049
SPN Mat. 114

DAJ 120094
OEK 36 SPN Mat. 112
TKP 416 Oud/Kalw. 8/5
Gem. SI/Kalf 105/5

CEF 100304
SPN Mat. 99

CEF 100105
OEK 31 SPN Mat. 72
TKP 491 Oud/Kalw. 11/7
Gem. SI/Kalf 94/5

FCT 000065
SPN Mat. 83
RAI 000032
SPN Mat. 112
LAR 070038
SPN Mat. 102
DAJ 080010
SPN Mat. 95
CEF 080025
SPN Mat. 127
CEF 070151
SPN Mat. 109
LAR 050159
SPN Mat. 98
CEF 060162
SPN Mat. 81

**KLIK HIER
VIR VIDEO**

Lot	Seller	ID	PARENTS		Test	Breeding Value Indexes										LHR	BWR	WWR	Semen Users	Breeder Own Remarks
			SIRE	PV		Birth Dir	Wean Dir	Birth Mat	Wean Mat	Mat Wgt	Post Wean	ADG	FCR	SC	Hgt					
			DAM	PV	DNA	Acc	Acc	Acc	Acc	Acc	Acc	Acc	Acc	Acc	Acc	Acc	Acc	Acc	Acc	
			Gen		Birth Date	Wgt kg	Wgt kg	Ind	kg	kg	kg	365d Ind	540d Ind	Ind	Ind	(mm)	(mm)	(mm)		
69	P.F. SCHEEPERS	CEF 180501	DAJ 150086		GT	115	90	111	95	107	90	98	100	89	88	91	1.17			
			CEF 160031			-0.60	8.7	-0.69	2.7	18.0	14.9	87	-47	1.0	-8	1	6.44			
		SP		14.09.18	30	229	99					96		326	1169	1372	43.5			




LOT 70: CEF 18-0562 | ZINABOS BONSMARAS



Lot 70 Geskik vir verse

CEF 180562
SPN Mat. 95

JRP 150072
SPN Mat. 81



CEF 150019
OEK 29 SPN Mat. 111
TKP 376 Oud/Kalw. 6/4
RI 112 Gem. SI/Kalf 102/4

LAR 070055
SPN Mat. 81

JRP 080026
OEK 29 SPN Mat. 82
TKP 389 Oud/Kalw. 12/10
Gem. SI/Kalf 97/10

CEF 120401
SPN Mat. 98

CEF 120181
OEK 30 SPN Mat. 100
TKP 508 Oud/Kalw. 4/2
Gem. SI/Kalf 96/2

BG 040088
SPN Mat. 115
LAR 040160
SPN Mat. 75
LAR 050008
SPN Mat. 95
JRP 010013
SPN Mat. 66
CEF 080426
SPN Mat. 66
CEF 080145
SPN Mat. 131
GCD 090102
SPN Mat. 94
CEF 020167
SPN Mat. 110

**KLIK HIER
VIR VIDEO**

Lot	Seller	ID	PARENTS		Test	Breeding Value Indexes										LHR	BWR	WWR	Semen Users	Breeder Own Remarks		
			SIRE	PV		Birth Dir	Wean Dir	Birth Mat	Wean Mat	Mat Wgt	Post Wean	ADG	FCR	SC	Hgt						Lgt	
			DAM	PV	DNA	Acc	Acc	Acc	Acc	Acc	Acc	Acc	Acc	Acc	Acc	Acc	Acc	Acc	Acc			
			Gen		Birth Date	Wgt kg	Wgt kg	Ind	kg	kg	kg	365d Ind	540d Ind	Ind	Ind	(mm)	(mm)	(mm)				
70	P.F. SCHEEPERS	CEF 180562	JRP 150072		GT	111	100	104	95	102	97	99	94	109	105	109	1.18					
						-0.10	13.7	-0.36	2.5	13.0	20.3	92	-33	17.4	5	27	7.22					
		SP	CEF 150019		31.10.18	32	255	101							93		354	1142	1342	57.3		
																						Geskik vir verse



LOT 71: CEF 19-0369 | ZINABOS BONSMARAS



Lot 71

CEF 190369
SPN Mat. 128

CEF 130548
SPN Mat. 148

CEF 120193
OEK 30 SPN Mat. 110
TKP 370 Oud/Kalw. 7/5
RI 113 Gem. SI/Kalf104/5

GJN 100238
SPN Mat. 109

Elite-Silver
CEF 110046
OEK 30 SPN Mat. 135
TKP 392 Oud/Kalw. 10/8
Gem. SI/Kalf 109/7

CEF 090323
SPN Mat. 142

CEF 080151
OEK 25 SPN Mat. 68
TKP 537 Oud/Kalw. 5/3
Gem. SI/Kalf 84/2

WAT 070090
SPN Mat. 119
GJN 080116
SPN Mat. 95
CEF 080435
SPN Mat. 94
CEF 080110
SPN Mat. 132
CEF 060391
SPN Mat. 141
CEF 060170
SPN Mat. 120
CEF 050450
SPN Mat. 69
CEF 040104
SPN Mat. 105

**KLIK HIER
VIR VIDEO**

Lot	Seller	ID	PARENTS		Test	Breeding Value Indexes											LHR	BWR	WWR	Semen Users	Breeder Own Remarks
			SIRE	PV		Birth Dir	Wean Dir	Birth Mat	Wean Mat	Mat Wgt	Post Wean	ADG	FCR	SC	Hgt	Lgt					
			DAM	PV	DNA	Acc	Acc	Acc	Acc	Acc	Acc	Acc	Acc	Acc	Acc	Acc	Acc	Acc	Acc	Acc	
			Gen		Birth Date	Wgt kg	Wgt kg	Ind	kg	kg	kg	365d Ind	540d Ind	Ind	Ind	(mm)	(mm)	(mm)			
71	P.F. SCHEEPERS	CEF 190369	CEF 130548		GT	104	123	118	128	117	123	115	109	107	103	117	-				
			CEF 120193			0.56	24.3	-1.03	11.8	29.0	38.4	167	-66	15.3	4	39	5.78				
		SP		23.03.19	33	260	102					110	-	329	-	-	42.5				




LOT 72: CEF 19-0404 | ZINABOS BONSMARAS



Lot 72 Geskik vir verse

CEF 190404
SPN Mat. 91

VV 160038
SPN Mat. 90



CEF 160154
OEK 32 SPN Mat. 100
TKP 499 Oud/Kalw. 4/2
RI 99 Gem. SI/Kalf 108/2

VV 130147
SPN Mat. 78
Elite-Goud
VV 070239
OEK 27 SPN Mat. 96
TKP 376 Oud/Kalw. 12/11
Gem. SI/Kalf 100/12

AG 090226
SPN Mat. 71
VV 050452
SPN Mat. 109
VV 040322
SPN Mat. 97
VV 010386
SPN Mat. 112
CEF 080025
SPN Mat. 127
CEF 070151
SPN Mat. 109
GJN 040173
SPN Mat. 100
CEF 000284
SPN Mat. 105

CEF 100304
SPN Mat. 99

CEF 090022
OEK 30 SPN Mat. 97
TKP 412 Oud/Kalw. 12/9
Gem. SI/Kalf 95/8

**KLIK HIER
VIR VIDEO**

Lot	Seller	ID	PARENTS	Test	DIRECT CALF TRAITS		DAUGHTER TRAITS			GROWTH		EFF.	REP	MEASURE-MENTS			R:			
					Progeny Birth Weight	Progeny Wean Weight	Ease of Calving	Milk prod.	Mature Weight	Post Wean Weight	Daily Gain			Feed Conv	Height & Length					
					Breeding Value Indexes															
					Birth Dir	Wean Dir	Birth Mat	Wean Mat	Mat Wgt	Post Wean	ADG	FCR	SC	Hgt	Lgt	LHR	Semen Users	Breeder Own Remarks		
					Acc	Acc	Acc	Acc	Acc	Acc	Acc	Acc	Acc	Acc	Acc	BWR				
					Birth Date	Wgt kg	Wgt kg	Ind	kg	kg	kg	365d Ind	540d Ind	Ind	Ind	(mm)			(mm)	(mm)

BULLS

72	P.F. SCHEEPERS	CEF 190404	VV 160038	GT	114	97	115	91	96	91	106	106	102	98	99	-	Semen Users	Breeder Own Remarks
			CEF 160154		-0.44	12.2	-0.88	1.5	5.0	15.8	127	-60	11.3	0	14	7.27		
				06.04.19	28	261	111											
		SP									97	-	322	-	-	59.5		Geskik vir verse



LOT 73: CEF 19-0414 | ZINABOS BONSMARAS



Lot 73 Geskik vir verse

CEF 190414
SPN Mat. 108

BBM 150057
SPN Mat. 107

BBM 110069
SPN Mat. 117
Elite-Bronze

BBM 120143
SPN Mat. 107
Age/Calv. 8/6
Avg. WI/Calv 109/5

CEF 100330
SPN Mat. 99

CEF 090180
SPN Mat. 117
Age/Calv. 9/7
Avg. WI/Calv 101/7

BBM 070063
SPN Mat. 105
JRB 030026
SPN Mat. 122
FCT 080118
SPN Mat. 86
BBM 100041
SPN Mat. 98
CEF 080025
SPN Mat. 127
CEF 070150
SPN Mat. 83
LDW 050057
SPN Mat. 126
CEF 020092
SPN Mat. 90

**KLIK HIER
VIR VIDEO**

Lot	Seller	ID	PARENTS		Test	DIRECT CALF TRAITS					DAUGHTER TRAITS			GROWTH		EFF.	REP	MEASURE-MENTS			R:
			SIRE	DAM		Progeny Birth Weight	Progeny Wean Weight	Ease of Calving	Milk prod.	Mature Weight	Post Wean Weight	Daily Gain	Feed Conv	Height & Length							
73	P.F. SCHEEPERS	CEF 190414	POLLED Gen	BBM 150057	GT	103	96	117	108	82	90	96	93	86	83	95	-	Semen Users	Breeder Own Remarks		
				CEF 120159	DNA	0.72	11.7	-0.98	6.2	-10.0	15.2	77	-32	-1.2	-13	8	6.34				
				SP	Birth Date	14.04.19	34	223	95					90	-	306	-			-	44.7

BULLS

73	P.F. SCHEEPERS	CEF 190414	BBM 150057	GT	103	96	117	108	82	90	96	93	86	83	95	-	Semen Users	Breeder Own Remarks
			CEF 120159	DNA	0.72	11.7	-0.98	6.2	-10.0	15.2	77	-32	-1.2	-13	8	6.34		
			SP	Birth Date	14.04.19	34	223	95								44.7		

Geskik vir verse



LOT 74: CEF 19-0322 | ZINABOS BONSMARAS



Lot 74

CEF 190322
SPN Mat. 103

BBM 140034
SPN Mat. 108

BBM 080070
SPN Mat. 96

JRB 030026
Elite-Gold

AFC 36 ICP 376

SPN Mat. 122
Age/Calv. 16/14
Avg. Wt/Calv 109/13

CEF 130590
SPN Mat. 82

CEF 160283
SPN Mat. 92

AFC 28 ICP 542 RI 103

SPN Mat. 92
Age/Calv. 4/2
Avg. Wt/Calv 92/2

CEF 120023
SPN Mat. 122

AFC 31 ICP 351

SPN Mat. 122
Age/Calv. 7/6
Ava. Wt/Calv 113/5

JRB 000116
SPN Mat. 71
JRB 020109
SPN Mat. 108
JRB 950073
SPN Mat. 58
JRB 980287
SPN Mat. 112
CEF 110301
SPN Mat. 75
CEF 100001
SPN Mat. 109
AG 070480
SPN Mat. 111
CEF 070041
SPN Mat. 94

**KLIK HIER
VIR VIDEO**

Lot	Seller	ID	PARENTS		Test	Breeding Value Indexes										LHR	BWR	WWR	Semen Users	Breeder Own Remarks
			SIRE	PV		Birth Dir	Wean Dir	Birth Mat	Wean Mat	Mat Wgt	Post Wean	ADG	FCR	SC	Hgt					
		POLLED	DAM	PV	DNA	Acc	Acc	Acc	Acc	Acc	Acc	Acc	Acc	Acc	Acc	Acc	Acc	Acc	Acc	
		Gen	GV	PV	Birth Date	Wgt kg	Wgt kg	Ind	kg	kg	kg	365d Ind	540d Ind	Ind	Ind	(mm)	(mm)	(mm)		
74	P.F. SCHEEPERS	CEF 190322	BBM 140034	GT	93	102	89	103	105	98	104	97	112	97	107	-				
			CEF 160283		1.80	14.3	0.32	4.8	15.0	20.6	116	-41	19.8	-1	24	8.25				
		SP		06.03.19	76	71	50	54	40	62	67	21	75	54	53					
					35	227	92			-	90	-	340	-	-	43.5				

BULLS

Lot	Seller	ID	PARENTS	Test	93	102	89	103	105	98	104	97	112	97	107	-			
74	P.F. SCHEEPERS	CEF 190322	BBM 140034	GT	93	102	89	103	105	98	104	97	112	97	107	-			
			CEF 160283		1.80	14.3	0.32	4.8	15.0	20.6	116	-41	19.8	-1	24	8.25			
		SP		06.03.19	76	71	50	54	40	62	67	21	75	54	53				
					35	227	92			-	90	-	340	-	-	43.5			



Fourie Scheepers
ZINABOS BONSMARA



32^{ste}

PRODUKSIEVEILING

KATALOGUS

Vrydag, 6 Augustus 2021, 11:00 • Plaas Hoogland, Fouriesburg



The Trusted Home of Agriculture
Die Betroubare Tuiste van Landbou



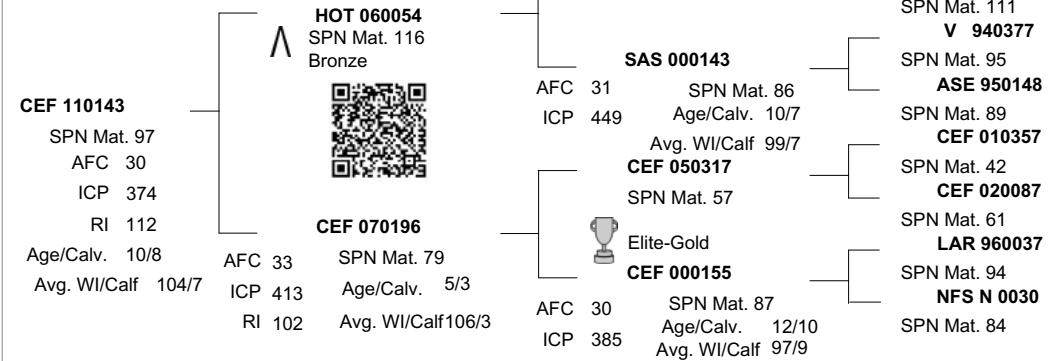


LOT 75: CEF 11-0143 | ZINABOS BONSMARAS



Lot 75

Loop by CEF 19-356 (20.05.2021 tot 31.07.2021)



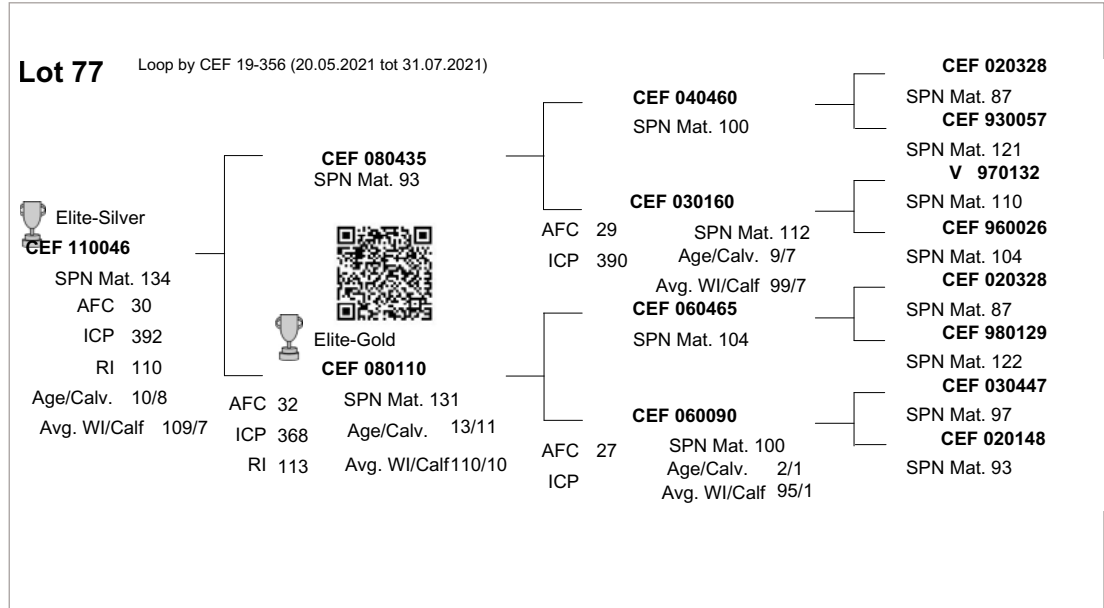
**KLIK HIER
VIR VIDEO**

Lot	Seller	ID	PARENTS	Test	DIRECT CALF TRAITS		DAUGHTER TRAITS			GROWTH		EFF.	REP	MEASURE-MENTS			R:	Breeder Own Remarks					
					Progeny Birth Weight	Progeny Wean Weight	Ease of Calving	Milk prod.	Mature Weight	Post Wean Weight	Daily Gain			Feed Conv	Height & Length								
					Breeding Value Indexes													Semen Users	Breeder Own Remarks				
Lot	Seller	ID	POLLED	Gen	SIRE GV PV	DAM GV PV	Genomic Tested DNA	Birth Dir Acc	Wean Dir Acc	Birth Mat Acc	Wean Mat Acc	Mat Wgt Acc	Post Wean Acc	ADG Acc	FCR Acc	SC Acc	Hgt Acc			Lgt Acc	LHR	BWR	WWR
75	P.F. SCHEEPERS	CEF 110143	SP		HOT 060054	PW540	78	130	106	97	125	132	113	102	118	132	121	-	BONFCEF 210083	09.05.21 (38) BONMGJN 160214	Loop by CEF 19-356 (20.05.2021 tot 31.07.2021)		
					CEFC 070196	26.08.11	3.37 85	27.3 82	-0.46 82	3.1 86	38.0 75	44.9 74	161 64	-52 39	24.8 69	28 70	45 68	6.87 48					

DRAGTIGE KOEIE



LOT 77: CEF 11-0046 | ZINABOS BONSMARAS



**KLIK HIER
VIR VIDEO**

Lot	Seller	ID	POLLED	Gen	PARENTS		Test	Breeding Value Indexes										LHR	BWR	WWR	Semen Users	Breeder Own Remarks
					SIRE	PV		Genomic Tested	Birth Dir	Wean Dir	Birth Mat	Wean Mat	Mat Wgt	Post Wean	ADG	FCR	SC					
		DAM																				
		GV	PV	DNA	Acc	Acc	Acc	Acc	Acc	Acc	Acc	Acc	Acc	Acc	Acc	Acc	Acc	Acc	Acc			
		GV	PV	Birth Date	Wgt kg	Wgt kg	Ind	kg	kg	kg	365d Ind	540d Ind	Ind	Ind	(mm)	(mm)	(mm)	(mm)	(mm)			
77	P.F. SCHEEPERS	CEF 110046		SP	CEF 080435	PW540	119	117	112	134	129	126	121	103	110	117	122	-	BONFCEF 210048	Loop by CEF 19-356 (20.05.2021 tot 31.07.2021)		
					CEF 080110	DNA	-0.98	21.4	-0.76	13.4	43.0	40.8	197	-54	18.1	15	45	6.29	31.03.21 (32)			
						20.03.11	88	84	82	85	74	76	71	35	75	76	74	49.3				

DRAGTIGE KOEIE

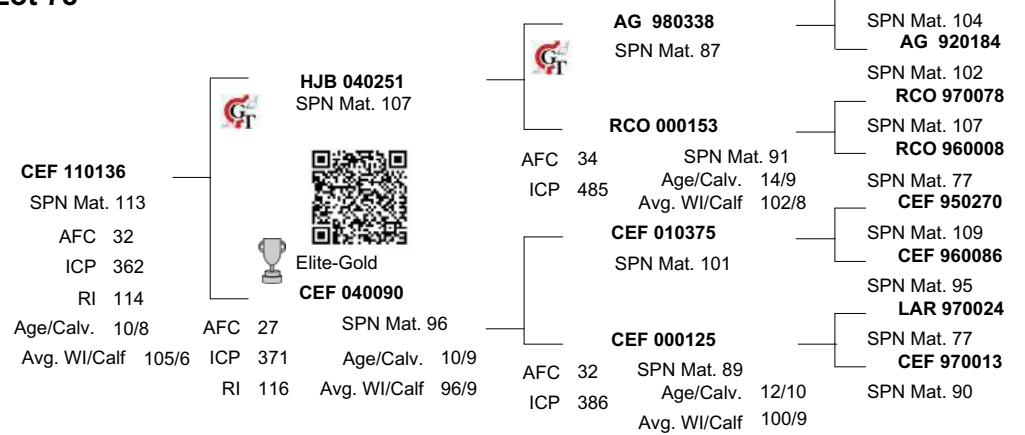


LOT 78: CEF 11-0136 | ZINABOS BONSMARAS



Lot 78

Loop by CEF 19-356 (20.05.2021 tot 31.07.2021)



**KLIK HIER
 VIR VIDEO**

Lot	Seller	ID	PARENTS	Test	DIRECT CALF TRAITS					DAUGHTER TRAITS			GROWTH		EFF.	REP	MEASURE-MENTS			R:	Breeder Own Remarks			
					Progeny Birth Weight	Progeny Wean Weight	Ease of Calving	Milk prod.	Mature Weight	Post Wean Weight	Daily Gain	Feed Conv	Height & Length											
					Breeding Value Indexes																			
Lot	Seller	ID	SIRE GV PV	DAM GV PV	Genomic Tested DNA	Birth Dir Acc	Wean Dir Acc	Birth Mat Acc	Wean Mat Acc	Mat Wgt Acc	Post Wean Acc	ADG Acc	FCR Acc	SC Acc	Hgt Acc	Lgt Acc	LHR	BWR	WWR	Semen Users				
																					Birth Date	Wgt kg	Wgt kg	Ind
78	P.F. SCHEEPERS	CEF 110136	HJB 040251	PW540	78	112	107	113	108	111	99	114	106	81	85	-	BONMCEF 210360	23.03.21 (38) BONMCEF 170445	7.86	47	Loop by CEF 19-356 (20.05.2021 tot 31.07.2021)			
					3.33	19.1	-0.52	7.5	19.0	30.3	96	-77	15.2	-15	-7									
		SP	CEFC 040090	21.08.11	86	83	82	83	69	76	72	45	77	76	74									

DRAGTIGE KOEIE



LOT 79: CEF 11-0220 | ZINABOS BONSMARAS



Lot 79 Loop by CEF 19-356 (20.05.2021 tot 31.07.2021)

CEFC 110220
 SPN Mat. 87
 AFC 29
 ICP 367
 RI 115
 Age/Calv. 9/8
 Avg. WI/Calf 97/7

LAR 050023
 SPN Mat. 96

CEFC 060131
 AFC 33
 ICP 421
 RI 102
 SPN Mat. 87
 Age/Calv. 10/7
 Avg. WI/Calf 106/5

LAR 010297
 SPN Mat. 72

LAR 970059
 AFC 35
 ICP 445
 Avg. WI/Calf 109/8
 SPN Mat. 113
 Age/Calv. 13/9

CEFC 040315
 SPN Mat. 79

CEFC 030146
 AFC 34
 ICP 412
 SPN Mat. 71
 Age/Calv. 4/2
 Avg. WI/Calf 95/2

AG 920097
 SPN Mat. 50
LAR 960332
 SPN Mat. 112
JH L 0321
 SPN Mat. 134
LAR 940311
 SPN Mat. 86
CEFC 010331
 SPN Mat. 37
CEFC 010137
 SPN Mat. 109
B 970046
 SPN Mat. 93
CEFC 990007
 SPN Mat. 57

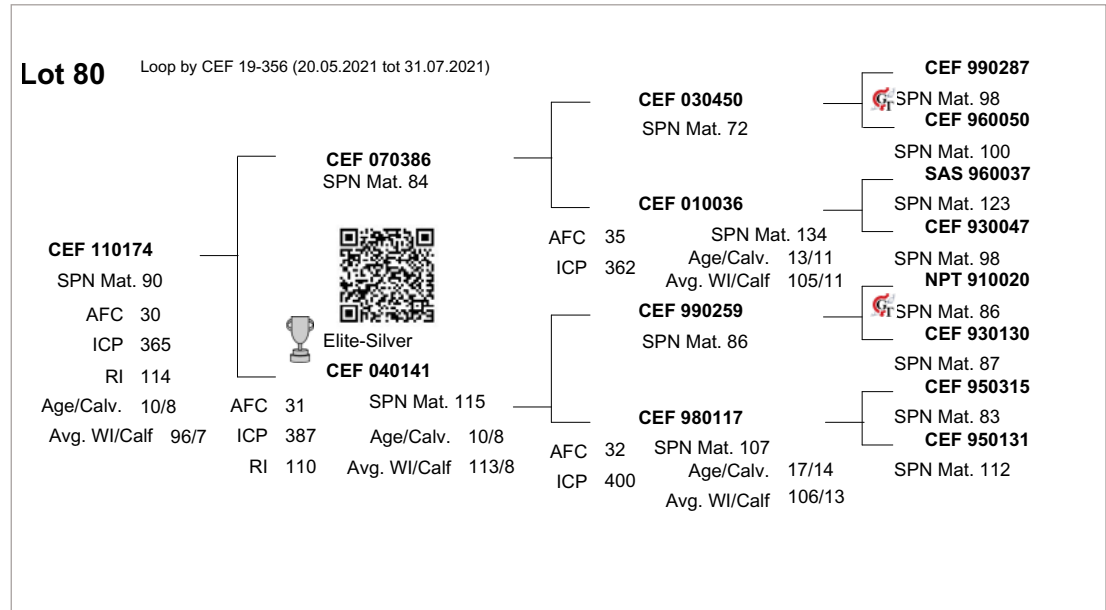
**KLIK HIER
 VIR VIDEO**

Lot	Seller	ID	PARENTS	Test	DIRECT CALF TRAITS		DAUGHTER TRAITS			GROWTH		EFF.	REP	MEASUREMENTS			R:	Breeder Own Remarks					
					Progeny Birth Weight	Progeny Wean Weight	Ease of Calving	Milk prod.	Mature Weight	Post Wean Weight	Daily Gain			Feed Conv	Height & Length								
					Breeding Value Indexes												Semen Users	Breeder Own Remarks					
Lot	Seller	ID	POLLED	Gen	SIRE GV PV	DAM GV PV	Genomic Tested DNA	Birth Dir Acc	Wean Dir Acc	Birth Mat Acc	Wean Mat Acc	Mat Wgt Acc	Post Wean Acc	ADG Acc	FCR Acc	SC Acc			Hgt Acc	Lgt Acc	LHR	BWR	WWR
79	P.F. SCHEEPERS	CEF 110220	SP	LAR 050023	PW540	89	115	104	87	97	107	100	95	130	102	110	-	BONMCEF 210375	04.04.21 (32) BONMGJN 160214	Loop by CEF 19-356 (20.05.2021 tot 31.07.2021)			
				CEFC 060131	22.10.11	85	81	-0.38	0.4	7.0	27.3	101	-35	34.2	3	28	7.29						
						35												55.3					

DRAGTIGE KOEIE



LOT 80: CEF 11-0174 | ZINABOS BONSMARAS



**KLIK HIER
VIR VIDEO**

Lot	Seller	ID	PARENTS	Test	DIRECT CALF TRAITS		DAUGHTER TRAITS			GROWTH		EFF.	REP	MEASURE-MENTS			R:	Breeder Own Remarks																						
					Progeny Birth Weight	Progeny Wean Weight	Ease of Calving	Milk prod.	Mature Weight	Post Wean Weight	Daily Gain			Feed Conv	Height & Length																									
					Breeding Value Indexes													Semen Users	Breeder Own Remarks																					
Lot	Seller	ID	POLLED	Gen	SIRE GV PV	DAM GV PV	Genomic Tested DNA	Birth Dir Acc	Wean Dir Acc	Birth Mat Acc	Wean Mat Acc	Mat Wgt Acc	Post Wean Acc	ADG Acc	FCR Acc	SC Acc	Hgt Acc			Lgt Acc	LHR	BWR	WWR																	
																								Birth Date	Wgt kg	Wgt kg	Ind	kg	kg	kg	365d Ind	540d Ind	Ind	Ind	(mm)	(mm)	(mm)			
80	P.F. SCHEEPERS	CEF 110174	SP	CEF 070386 PW540	107	108	106	90	114	103	101	100	114	100	99	-	BONFCEF 210033	21.03.21 (33)	Loop by CEF 19-356 (20.05.2021 tot 31.07.2021)																					
				CEF 040141	14.09.11	35	0.24 86	17.3 83	-0.45 82	1.0 85	25.0 76	24.7 75	103 66	-48 29	21.6 69	1 70	13 68	5.71	BONMCEF 170445	39.9																				

DRAGTIGE KOEIE



LOT 81: CEF 11-0156 | ZINABOS BONSMARAS



Lot 81 7-9 Maande dragtig van
KI CEF 17-516 (11.11.2020)
Opvolg MS (12.11.2020 - 12.02.2021)

CEF 110156
SPN Mat. 92
OEK 32
TKP 389
RI 109
Oud/Kalw. 9/7
Gem. SI/Kalf 99/7

HOT 060054
SPN Mat. 116
Brons

CEF 070126
OEK 32
TKP 391
RI 108
SPN Mat. 91
Oud/Kalw. 13/11
Gem. SI/Kalf 104/11

DB 000045
SPN Mat. 126

SAS 000143
OEK 31
TKP 449
SPN Mat. 86
Oud/Kalw. 10/7
Gem. SI/Kalf 99/7

CEF 040458
SPN Mat. 92

CEF 040190
OEK 32
TKP 461
SPN Mat. 96
Oud/Kalw. 4/2
Gem. SI/Kalf 99/1

AG 960059
SPN Mat. 110
HOT 920186
SPN Mat. 111
V 940377
SPN Mat. 95
ASE 950148
SPN Mat. 89
CEF 020321
SPN Mat. 117
CEF 950069
SPN Mat. 82
CEF 020328
SPN Mat. 87
CEF 990083
SPN Mat. 112

**KLIK HIER
VIR VIDEO**

Lot	Seller	ID	PARENTS		Test	Breeding Value Indexes												LHR	BWR	WWR	Semen Users	Breeder Own Remarks
			SIRE	PV		Birth Dir	Wean Dir	Birth Mat	Wean Mat	Mat Wgt	Post Wean	ADG	FCR	SC	Hgt	Lgt						
		POLLED	DAM	PV	DNA	Acc	Acc	Acc	Acc	Acc	Acc	Acc	Acc	Acc	Acc	Acc	Acc	-	289	9.8	7-9 Maande dragtig van ;KI CEF 17-516 (11.11.2020) ;Opvolg MS (12.11.2020 - 12.02.2021)	
Gen	GV																					Wgt kg
81	P.F. SCHEEPERS	CEF 110156	HOT 060054	NS540	97	111	117	92	96	115	110	93	123	124	114	-	289	9.8	7-9 Maande dragtig van ;KI CEF 17-516 (11.11.2020) ;Opvolg MS (12.11.2020 - 12.02.2021)			
		SP	CEF 070126	30.08.11	38	85	82	-0.99	1.7	6.0	32.6	148	-33	28.6	21	35	8.37	7				
								80	84	73	76	59	39	63	63	62	44.9					

DRAGTIGE KOEIE



LOT 82: CEF 11-0001 | ZINABOS BONSMARAS



Lot 82 7-9 Maande dragtig van MS
 CEF 17-445 (13.11.2020 tot 04.12.2020)
 CEF 18-480 (06.12.2020 tot 12.02.2021)

Elite-Goud
CEF 110001
 SPN Mat. 112
 OEK 30
 TKP 361
 RI 115
 Oud/Kalw. 9/8
 Gem. SI/Kalf 108/8

HOT 060054
 SPN Mat. 116
 Brons

CEF 070124
 SPN Mat. 105
 Oud/Kalw. 6/4
 Gem. SI/Kalf 107/4

DB 000045
 SPN Mat. 126

SAS 000143
 OEK 31
 TKP 449
 SPN Mat. 86
 Oud/Kalw. 10/7
 Gem. SI/Kalf 99/7

CEF 040458
 SPN Mat. 92

CEF 040128
 OEK 34
 TKP 477
 SPN Mat. 84
 Oud/Kalw. 4/2
 Gem. SI/Kalf 100/2

AG 960059
 SPN Mat. 110
HOT 920186
 SPN Mat. 111
V 940377
 SPN Mat. 95
ASE 950148
 SPN Mat. 89
CEF 020321
 SPN Mat. 117
CEF 950069
 SPN Mat. 82
CEF 990259
 SPN Mat. 86
COM 930097
 SPN Mat. 69

**KLIK HIER
 VIR VIDEO**

Lot	Seller	ID	PARENTS	Test	DIRECT CALF TRAITS					DAUGHTER TRAITS			GROWTH		EFF.	REP	MEASURE-MENTS			R:	Breeder Own Remarks
					Progeny Birth Weight	Progeny Wean Weight	Ease of Calving	Milk prod.	Mature Weight	Post Wean Weight	Daily Gain	Feed Conv	Height & Length								
82	P.F. SCHEEPERS	CEF 110001	POLLED Gen	SIRE GV PV DAM GV PV Genomic Tested DNA Birth Date	96	126	96	112	89	121	120	103	138	133	127	-	318	10.3	7-9 Maande dragtig van MS ; CEF 17-445 (13.11.2020 tot 04.12.2020) ; CEF 18-480 (06.12.2020 tot 12.02.2021)		
																				NS540	1.43
		SP		CEF 070124	25.02.11	28										48.9	8				

DRAGTIGE KOEIE




LOT 83: CEF 11-0117 | ZINABOS BONSMARAS



Lot 83 7-9 Maande dragtig van MS
 CEF 17-445 (13.11.2020 tot 04.12.2020)
 CEF 18-480 (06.12.2020 tot 12.02.2021)

CE 110117
 SPN Mat. 93
 OEK 36
 TKP 366
 RI 109
 Oud/Kalw. 9/7
 Gem. SI/Kalf 103/7

CE 080437
 SPN Mat. 89



CE 090003
 OEK 29
 TKP 421
 RI 109
 SPN Mat. 95
 Oud/Kalw. 4/2
 Gem. SI/Kalf 100/1

CE 040460
 SPN Mat. 100

CE 990042
 OEK 27
 TKP 365
 SPN Mat. 73
 Oud/Kalw. 10/9
 Gem. SI/Kalf 99/9

CE 060478
 SPN Mat. 66

CE 050108
 Elite-Goud
 OEK 31
 TKP 365
 SPN Mat. 117
 Oud/Kalw. 12/10
 Gem. SI/Kalf 106/10

CE 020328
 SPN Mat. 87

CE 930057
 SPN Mat. 121

RCO 950084
 SPN Mat. 52

CE 960056
 SPN Mat. 79

CE 030416
 SPN Mat. 51

CE 010150
 SPN Mat. 93

CE 030424
 SPN Mat. 68

CE 020089
 SPN Mat. 116

**KLIK HIER
 VIR VIDEO**

Lot	Seller	ID	PARENTS	Test	DIRECT CALF TRAITS					DAUGHTER TRAITS			GROWTH		EFF.	REP	MEASURE-MENTS			R:	Breeder Own Remarks
					Progeny Birth Weight	Progeny Wean Weight	Ease of Calving	Milk prod.	Mature Weight	Post Wean Weight	Daily Gain	Feed Conv	Height & Length								
					Breeding Value Indexes																
Lot	Seller	ID	SIRE GV PV	DAM GV PV	Genomic Tested DNA	Birth Dir Acc	Wean Dir Acc	Birth Mat Acc	Wean Mat Acc	Mat Wgt Acc	Post Wean Acc	ADG Acc	FCR Acc	SC Acc	Hgt Acc	Lgt Acc	LHR	BWR	WWR	Semen Users	Breeder Own Remarks
83	P.F. SCHEEPERS	CEF 110117	POLLED	Gen	CE 080437	NS540	110	105	98	93	108	110	105	97	108	101	99	-	303		7-9 Maande dragtig van MS ;CEF 17-445 (13.11.2020 tot 04.12.2020) ;CEF 18-480 (06.12.2020 tot 12.02.2021)
					CE 090003	DNS	-0.05	15.7	-0.08	2.0	19.0	29.0	123	-41	16.3	2	14	7.23	9.9		
					SP	13.08.11	29											47.1	7		

DRAGTIGE KOEIE




LOT 84: CEF 11-0073 | ZINABOS BONSMARAS



Lot 84 7-9 Maande dragtig van
KI CEF 17-516 (11.11.2020)
Opvolg MS (12.11.2020 - 12.02.2021)

CEf 110073
SPN Mat. 88
OEK 29
TKP 366
RI 115
Oud/Kalw. 9/8
Gem. Sl/Kalf 96/8

CEf 070487
SPN Mat. 98



CEf 060060
SPN Mat. 80
OEK 28
TKP 394
RI 111
Oud/Kalw. 11/9
Gem. Sl/Kalf 98/9

CEf 030447
SPN Mat. 97

CEf 000103
OEK 26
TKP 445
SPN Mat. 106
Oud/Kalw. 13/10
Gem. Sl/Kalf 104/8

CEf 030447
SPN Mat. 97

CEf 020137
OEK 30
TKP 374
SPN Mat. 93
Oud/Kalw. 13/11
Gem. Sl/Kalf 96/10

CEf 990287
SPN Mat. 98
CEf 940048
SPN Mat. 109
LAR 970024
SPN Mat. 77
CEf N 0102
SPN Mat. 96
CEf 990287
SPN Mat. 98
CEf 940048
SPN Mat. 109
RCO 930139
SPN Mat. 130
CEf 940099
SPN Mat. 87

**KLIK HIER
VIR VIDEO**

Lot	Seller	ID	PARENTS	Test	DIRECT CALF TRAITS		DAUGHTER TRAITS			GROWTH		EFF.	REP	MEASURE-MENTS			R:	Breeder Own Remarks					
					Progeny Birth Weight	Progeny Wean Weight	Ease of Calving	Milk prod.	Mature Weight	Post Wean Weight	Daily Gain			Feed Conv	Height & Length								
					Breeding Value Indexes											Semen Users	Breeder Own Remarks						
Lot	Seller	ID	POLLED	Gen	SIRE GV PV	DAM GV PV	Genomic Tested DNA	Birth Dir Acc	Wean Dir Acc	Birth Mat Acc	Wean Mat Acc	Mat Wgt Acc	Post Wean Acc	ADG Acc	FCR Acc			SC Acc	Hgt Acc	Lgt Acc	LHR	BWR	WWR
84	P.F. SCHEEPERS	CEF 110073	SP	NS540	CEF 070487			109	95	101	88	117	89	94	87	77	106	106	-	282		7-9 Maande dragtig van ;KI CEF 17-516 (11.11.2020) ;Opvolg MS (12.11.2020 - 12.02.2021)	
					CEF 060060			0.13	11.2	-0.23	0.5	29.0	14.3	70	-20	-9.1	6	23	6.6	10.2			
						05.04.11		35															40.5

DRAGTIGE KOEIE




LOT 85: CEF 11-0018 | ZINABOS BONSMARAS



Lot 85 7-9 Maande dragtig van MBT 18-199 (01.11.2020 tot 12.02.2021)

CEF 110018
 SPN Mat. 127
 OEK 30
 TKP 434
 RI 103
 Oud/Kalw. 10/7
 Gem. SI/Kalf 105/7

CEF 070487
 SPN Mat. 98



CEF 010036
 OEK 35
 TKP 362
 RI 112
 SPN Mat. 134
 Oud/Kalw. 13/11
 Gem. SI/Kalf 105/11

CEF 030447
 SPN Mat. 97

CEF 000103
 OEK 26
 TKP 445
 SPN Mat. 106
 Oud/Kalw. 13/10
 Gem. SI/Kalf 104/8

SAS 960037
 SPN Mat. 123

CEF 930047
 OEK 26
 TKP 392
 SPN Mat. 98
 Oud/Kalw. 12/10
 Gem. SI/Kalf 97/10

CEF 990287
 SPN Mat. 98

CEF 940048
 SPN Mat. 109
LAR 970024
 SPN Mat. 77
CEF N 0102
 SPN Mat. 96
NPT 910040
 SPN Mat. 95
SAS L 0033
 SPN Mat. 120
JRB H 0091
 SPN Mat. 71
EMS E 0044
 SPN Mat. 122

**KLIK HIER
 VIR VIDEO**

Lot	Seller	ID	PARENTS	Test	DIRECT CALF TRAITS		DAUGHTER TRAITS			GROWTH		EFF.	REP	MEASURE-MENTS			R:	Breeder Own Remarks								
					Progeny Birth Weight	Progeny Wean Weight	Ease of Calving	Milk prod.	Mature Weight	Post Wean Weight	Daily Gain			Feed Conv	Height & Length											
					Breeding Value Indexes													Semen Users	Breeder Own Remarks							
Lot	Seller	ID	POLLED	Gen	SIRE GV PV	DAM GV PV	Genomic Tested DNA	Birth Dir Acc	Wean Dir Acc	Birth Mat Acc	Wean Mat Acc	Mat Wgt Acc	Post Wean Acc	ADG Acc	FCR Acc	SC Acc	Hgt Acc			Lgt Acc	LHR	BWR	WWR			
																								Birth Date	Wgt kg	Wgt kg
85	P.F. SCHEEPERS	CEF 110018	SP	NS540	CEF 070487			116	74	83	127	119	70	86	92	93	99	95	-	246		7-9 Maande dragtig van MBT 18-199 (01.11.2020 tot 12.02.2021)				
					CEF 010036	05.03.11																		4.69	10.3	
							33												33.3	7						

DRAGTIGE KOEIE



LOT 86: VV 11-0175 | ZINABOS BONSMARAS



Lot 86 7-9 Maande dragtig van
 KI CEF 17-545 (11.11.2020)
 Opvolg LAR 17-271 (13.11.2020 tot 12.02.2021)

VV 110175 Elite-Goud
 SPN Mat. 105
 OEK 29
 TKP 356
 RI 117
 Oud/Kalw. 9/8
 Gem. SI/Kalf 102/8

VV 070261 SPN Mat. 88
 Elite-Brons
LB 060358

VV 030346 SPN Mat. 115
 Elite-Goud
VV 010202 SPN Mat. 95
 OEK 31 Oud/Kalw. 13/11
 TKP 387 Gem. SI/Kalf 101/11

VV 030016 SPN Mat. 120
 Elite-Goud
BG 000058

VV 950282 SPN Mat. 118
 OEK 29 Oud/Kalw. 13/11
 TKP 384 Gem. SI/Kalf 100/11

VV 000318 SPN Mat. 87
VV 970265 SPN Mat. 135
VV 990318 SPN Mat. 105
VV 990067 SPN Mat. 98
FCT 980067 SPN Mat. 100
BG 000058 SPN Mat. 109
VV 930016 SPN Mat. 106
VV 920152 SPN Mat. 109

**KLIK HIER
 VIR VIDEO**

Lot	Seller	ID	PARENTS	Test	DIRECT CALF TRAITS		DAUGHTER TRAITS			GROWTH		EFF.	REP	MEASURE-MENTS			R:	Semens Users	Breeder Own Remarks			
					Progeny Birth Weight	Progeny Wean Weight	Ease of Calving	Milk prod.	Mature Weight	Post Wean Weight	Daily Gain			Feed Conv	Height & Length							
					Breeding Value Indexes																	
Lot	Seller	ID	SIRE GV PV	DAM GV PV	Genomic Tested DNA	Birth Dir Acc	Wean Dir Acc	Birth Mat Acc	Wean Mat Acc	Mat Wgt Acc	Post Wean Acc	ADG Acc	FCR Acc	SC Acc	Hgt Acc	Lgt Acc	LHR	BWR	WWR	313	10.1	7-9 Maande dragtig van ;KI CEF 17-545 (11.11.2020) ;Opvolg LAR 17-271 (13.11.2020 tot 12.02.2021)
86	P.F. SCHEEPERS	VV 110175	VV 070261	NS540		95	106	122	105	106	105	104	98	122	99	115	-			313	10.1	7-9 Maande dragtig van ;KI CEF 17-545 (11.11.2020) ;Opvolg LAR 17-271 (13.11.2020 tot 12.02.2021)
		SP	LB 060358	DNS		1.57	16.4	-1.20	5.3	17.0	25.9	117	-44	27.7	0	35				10.1		
				02.06.11		86	83	81	85	74	74	64	39	69	70	68				8		
						33											33.1			8		

DRAGTIGE KOEIE



LOT 87: VV 11-0010 | ZINABOS BONSMARAS



Lot 87 7-9 Maande dragtig van
KI CEF 17-516 (11.11.2020)
Opvolg MS (12.11.2020 - 12.02.2021)

VV 110010
SPN Mat. 86
AFC 32
ICP 358
RI 114
Age/Calv. 10/8
Avg. Wt/Calv 104/8

VV 080035
SPN Mat. 59

VV 080277
AFC 30
ICP 560
RI 98
SPN Mat. 116
Age/Calv. 4/2
Avg. Wt/Calv 111/2

VV 050382
SPN Mat. 109
Bronze

VV 050213
AFC 31
ICP 366
SPN Mat. 45
Age/Calv. 8/6
Avg. Wt/Calv 90/6

FAM 020073
SPN Mat. 100

VV 050370
AFC 35
ICP 416
SPN Mat. 101
Age/Calv. 4/2
Avg. Wt/Calv 92/2

VV 010292
SPN Mat. 129

VV 010408
SPN Mat. 104

VV 020420
SPN Mat. 53

VV 030172
SPN Mat. 74

AG 980338
SPN Mat. 87

FAM 970060
SPN Mat. 100

VV 030137
SPN Mat. 112

VV 030114
SPN Mat. 102

**KLIK HIER
VIR VIDEO**

Lot	Seller	ID	PARENTS	Test	DIRECT CALF TRAITS		DAUGHTER TRAITS			GROWTH		EFF.	REP	MEASURE-MENTS			R:	Breeder Own Remarks						
					Progeny Birth Weight	Progeny Wean Weight	Ease of Calving	Milk prod.	Mature Weight	Post Wean Weight	Daily Gain			Feed Conv	Height & Length									
					Breeding Value Indexes													Semen Users	Breeder Own Remarks					
Lot	Seller	ID	POLLED	Gen	SIRE GV PV	DAM GV PV	Genomic Tested DNA	Birth Dir Acc	Wean Dir Acc	Birth Mat Acc	Wean Mat Acc	Mat Wgt Acc	Post Wean Acc	ADG Acc	FCR Acc	SC Acc	Hgt Acc			Lgt Acc	LHR	BWR	WWR	
																								Birth Date
87	P.F. SCHEEPERS	VV 110010			VV 080035		PW540	115	102	91	86	87	102	97	103	100	101	98	-	269				7-9 Maande dragtig van ;KI CEF 17-516 (11.11.2020) ;Opvolg MS (12.11.2020 - 12.02.2021)
					VV 080277		DNA	-0.52	14.3	0.21	0.1	-5.0	23.7	84	-54	9.8	2	12	-	10.2				
		SP					27.03.11	85	82	80	85	72	74	56	29	60	61	59	-	8				
								26											44.1					

DRAGTIGE KOEIE



LOT 88: CEF 11-0090 | ZINABOS BONSMARAS



Lot 88 7-9 Maande dragtig van CEF 15-315 (01.11.2020 tot 12.02.2021)

AG 070480
SPN Mat. 110

AG 020251
SPN Mat. 121
Gold

BZ 010192
AFC 35 SPN Mat. 110
ICP 404 Age/Calv. 8/6
Avg. Wl/Calv 101/6

CE 010357
SPN Mat. 42

CE 930083
AFC 32 SPN Mat. 118
ICP 378 Age/Calv. 16/14
Avg. Wl/Calv 105/12

AG 980338
SPN Mat. 87
AG 950206
SPN Mat. 126
AG 960315
SPN Mat. 98
GBS 920101
SPN Mat. 123
CE 990221
SPN Mat. 77
CE 980117
SPN Mat. 107
HOT H 0108
SPN Mat. 97
CE 900038
SPN Mat. 119

CE 110090
SPN Mat. 108
AFC 28
ICP 372
RI 114
Age/Calv. 9/8
Avg. Wl/Calv 107/8

CE 040125
SPN Mat. 78
AFC 31
ICP 367
RI 114
Age/Calv. 11/9
Avg. Wl/Calv 93/8

**KLIK HIER
VIR VIDEO**

Lot	Seller	ID	PARENTS		Test	Breeding Value Indexes										LHR	BWR	WWR	Semen Users	Breeder Own Remarks
			SIRE	PV		Birth Dir	Wean Dir	Birth Mat	Wean Mat	Mat Wgt	Post Wean	ADG	FCR	SC	Hgt					
		POLLED	DAM	PV	DNA	Acc	Acc	Acc	Acc	Acc	Acc	Acc	Acc	Acc	Acc	Acc	Acc	Acc	Acc	Acc
		Gen	GV	PV	Birth Date	Wgt kg	Wgt kg	Ind	kg	kg	kg	365d Ind	540d Ind	Ind	Ind	(mm)	(mm)	(mm)		
88	P.F. SCHEEPERS	CEF 110090	AG 070480	PW540		111	89	93	108	81	82	90	96	107	95	97	-	256	7-9 Maande dragtig van CEF 15-315 (01.11.2020 tot 12.02.2021)	
						-0.17	8.7	0.14	6.1	-11.0	9.5	49	-39	15.6	-3	11	7.53	10.2		
		CE 040125	17.04.11		86	83	82	86	74	74	65	30	69	70	68		39.7	8		

DRAGTIGE KOEIE



LOT 89: CEF 11-0041 | ZINABOS BONSMARAS




Lot 89 7-9 Maande dragtig van CEF 15-315 (01.11.2020 tot 12.02.2021)

CEFC

CEFC 110041
 SPN Mat. 84
 AFC 29
 ICP 377
 RI 113
 Age/Calv. 10/8
 Avg. WI/Calv 98/8

AG 070433
 SPN Mat. 88



CEFC 050110
 AFC 32
 ICP 361
 RI 112
 SPN Mat. 86
 Age/Calv. 7/5
 Avg. WI/Calv97/3

VV 040146
 SPN Mat. 68

AG 030204
 AFC 25
 ICP 435
 SPN Mat. 101
 Age/Calv. 14/11
 Avg. WI/Calv 107/10

CEFC 030453
 SPN Mat. 102

CEFC 030007
 AFC 29
 ICP 391
 SPN Mat. 83
 Age/Calv. 11/9
 Avg. WI/Calv 98/8

VV 010230
 SPN Mat. 61
VV 000463
 SPN Mat. 113
AG 000264
 SPN Mat. 77
AG 000235
 SPN Mat. 100
V 970132
 SPN Mat. 110
CEFC 960048
 SPN Mat. 111
HJL 950166
 SPN Mat. 62
CEFC 000294
 SPN Mat. 117

**KLIK HIER
 VIR VIDEO**

Lot	Seller	ID	PARENTS	Test	DIRECT CALF TRAITS		DAUGHTER TRAITS			GROWTH		EFF.	REP	MEASURE-MENTS			R:	LHR	BWR	WWR	Semen Users	Breeder Own Remarks	
					Progeny Birth Weight	Progeny Wean Weight	Ease of Calving	Milk prod.	Mature Weight	Post Wean Weight	Daily Gain			Feed Conv	Height & Length								
Breeding Value Indexes																							
Lot	Seller	ID	POLLED	Gen	SIRE GV PV	DAM GV PV	Genomic Tested DNA	Birth Dir Acc	Wean Dir Acc	Birth Mat Acc	Wean Mat Acc	Mat Wgt Acc	Post Wean Acc	ADG Acc	FCR Acc	SC Acc	Hgt Acc	Lgt Acc	LHR	BWR	WWR	Semen Users	Breeder Own Remarks
89	P.F. SCHEEPERS	CEF 110041			AG 070433		PW540	110	96	135	84	100	96	97	97	100	103	93	-	224		7-9 Maande dragtig van CEF 15-315 (01.11.2020 tot 12.02.2021)	
								-0.01	11.6	-1.79	-0.7	10.0	19.6	83	-42	9.7	4	5				10.3	
		SP			CEFC 050110		17.03.11	85	82	80	85	71	70	63	30	69	70	68	6.28			8	
								35											39			8	

DRAGTIGE KOEIE



LOT 90: CEF 11-0036 | ZINABOS BONSMARAS



Lot 90 7-9 Maande dragtig van MBT 18-199 (01.11.2020 tot 12.02.2021)

CEF 110036
SPN Mat. 100
AFC 29
ICP 371
RI 114
Age/Calv. 10/8
Avg. WI/Calf 101/7

CEF 080338
SPN Mat. 89

CEF 080176
SPN Mat. 101
Age/Calv. 9/6
Avg. WI/Calf 105/6

VV 040046
SPN Mat. 114
Elite-Gold
CEF 020109
SPN Mat. 104
Age/Calv. 16/14
Avg. WI/Calf 103/15

CEF 060349
SPN Mat. 95

CEF 000121
SPN Mat. 112
Age/Calv. 10/8
Avg. WI/Calf 106/7

VV 010292
SPN Mat. 129
VV 000092
SPN Mat. 100
V 970132
SPN Mat. 110
CEF 000024
SPN Mat. 101
CEF 020328
SPN Mat. 87
CEF 960086
SPN Mat. 95
LAR 960037
SPN Mat. 94
CEF L 0037
SPN Mat. 114

**KLIK HIER
VIR VIDEO**

Lot	Seller	ID	PARENTS	Test	DIRECT CALF TRAITS		DAUGHTER TRAITS			GROWTH		EFF.	REP	MEASURE-MENTS			R:	Breeder Own Remarks					
					Progeny Birth Weight	Progeny Wean Weight	Ease of Calving	Milk prod.	Mature Weight	Post Wean Weight	Daily Gain			Feed Conv	Height & Length								
					Breeding Value Indexes													Semen Users	Breeder Own Remarks				
Lot	Seller	ID	POLLED	Gen	SIRE GV PV	DAM GV PV	Genomic Tested DNA	Birth Dir Acc	Wean Dir Acc	Birth Mat Acc	Wean Mat Acc	Mat Wgt Acc	Post Wean Acc	ADG Acc	FCR Acc	SC Acc	Hgt Acc			Lgt Acc	LHR	BWR	WWR
90	P.F. SCHEEPERS	CEF 110036	SP	PW540	DNA	14.03.11	94	114	88	100	140	123	107	105	101	97	106	-	260				
							1.68	20.1	0.38	4.0	56.0	38.4	133	-59	10.6	-1	23	6.38	10.3	7-9 Maande dragtig van MBT 18-199 (01.11.2020 tot 12.02.2021)			
							85	81	80	83	66	72	58	37	62	63	62	36.9	8				

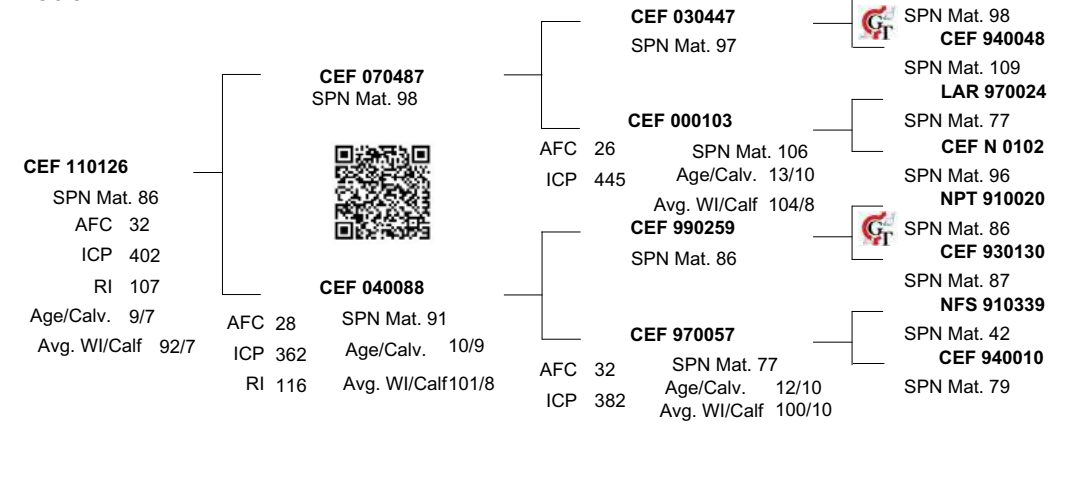


LOT 91: CEF 11-0126 | ZINABOS BONSMARAS



Lot 91

7-9 Maande dragtig van MBT 18-199 (01.11.2020 tot 12.02.2021)



DIRECT CALF TRAITS		DAUGHTER TRAITS			GROWTH		EFF.	REP	MEASURE-MENTS	R:
Progeny Birth Weight	Progeny Wean Weight	Ease of Calving	Milk prod.	Mature Weight	Post Wean Weight	Daily Gain	Feed Conv	Height & Length		

Lot	Seller	ID	PARENTS		Test	Breeding Value Indexes												LHR	BWR	WWR	Semen Users	Breeder Own Remarks
			SIRE	PV		Birth Dir	Wean Dir	Birth Mat	Wean Mat	Mat Wgt	Post Wean	ADG	FCR	SC	Hgt	Lgt						
		POLLED	DAM	PV	DNA	Acc	Acc	Acc	Acc	Acc	Acc	Acc	Acc	Acc	Acc	Acc	Acc					
		Gen	GV	PV	Birth Date	Wgt kg	Wgt kg	Ind	kg	kg	kg	365d Ind	540d Ind	Ind	Ind	(mm)	(mm)	(mm)				

DRAGTIGE KOEIE

91	P.F. SCHEEPERS	CEF 110126	CEF 070487	PW540	120	77	108	86	87	78	77	81	71	77	83	-	225	7-9 Maande dragtig van MBT 18-199 (01.11.2020 tot 12.02.2021)
					-1.08	3.2	-0.57	0.0	-5.0	6.6	-8	-6	-13.8	-18	-10	6.04	9.9	
			CEF 040088	15.08.11	85	82	79	84	66	74	66	30	71	71	70	36.3	7	

KLIK HIER VIR VIDEO



LOT 92: CEF 11-0039 | ZINABOS BONSMARAS



Lot 92 7-9 Maande dragtig van
KI CEF 17-545 (11.11.2020)
Opvolg LAR 17-271 (13.11.2020 tot 12.02.2021)

CEFC 110039
SPN Mat. 107
AFC 30
ICP 364
RI 115
Age/Calv. 9/8
Avg. Wl/Calf 101/7

HOT 060054
SPN Mat. 116
Bronze

CEFC 070102
SPN Mat. 78
AFC 28
ICP 421
RI 106
Age/Calv. 12/9
Avg. Wl/Calf 97/9

DB 000045
SPN Mat. 126

SAS 000143
AFC 31
ICP 449
SPN Mat. 86
Age/Calv. 10/7
Avg. Wl/Calf 99/7

CEFC 050355
SPN Mat. 80

CEFC 020123
AFC 31
ICP 371
SPN Mat. 69
Age/Calv. 8/6
Avg. Wl/Calf 95/6

AG 960059
SPN Mat. 110
HOT 920186
SPN Mat. 111
V 940377
SPN Mat. 95
ASE 950148
SPN Mat. 89
CEF 030309
SPN Mat. 67
CEF 020044
SPN Mat. 71
CEF 990221
SPN Mat. 77
CEF 980144
SPN Mat. 52

**KLIK HIER
VIR VIDEO**

Lot	Seller	ID	PARENTS	Test	DIRECT CALF TRAITS		DAUGHTER TRAITS			GROWTH		EFF.	REP	MEASURE-MENTS			R:	Breeder Own Remarks					
					Progeny Birth Weight	Progeny Wean Weight	Ease of Calving	Milk prod.	Mature Weight	Post Wean Weight	Daily Gain			Feed Conv	Height & Length								
					Breeding Value Indexes													Semen Users	Breeder Own Remarks				
Lot	Seller	ID	POLLED	Gen	SIRE GV PV	DAM GV PV	Genomic Tested DNA	Birth Dir Acc	Wean Dir Acc	Birth Mat Acc	Wean Mat Acc	Mat Wgt Acc	Post Wean Acc	ADG Acc	FCR Acc	SC Acc	Hgt Acc			Lgt Acc	LHR	BWR	WWR
92	P.F. SCHEEPERS	CEF 110039	SP	HOT 060054	PW540	CEFC 070102	17.03.11	68	130	73	107	137	140	124	100	124	136	128	-	303	7-9 Maande dragtig van ;KI CEF 17-545 (11.11.2020) ;Opvolg LAR 17-271 (13.11.2020 tot 12.02.2021)		
								4.44	27.5	1.07	5.9	52.0	50.9	214	-48	29.1	32	54	6.58	10.3			
								34											43.2	8			

DRAGTIGE KOEIE



LOT 93: CEF 11-0132 | ZINABOS BONSMARAS



Lot 93 7-9 Maande dragtig van MS
 CEF 17-445 (13.11.2020 tot 04.12.2020)
 CEF 18-480 (06.12.2020 tot 12.02.2021)

CE 110132
 SPN Mat. 87
 OEK 31
 TKP 399
 RI 108
 Oud/Kalw. 9/7
 Gem. SI/Kalf 102/6

GCD 030148
 SPN Mat. 117

CE 040070
 OEK 28
 TKP 366
 RI 116
 SPN Mat. 83
 Oud/Kalw. 10/9
 Gem. SI/Kalf 103/8

EI 940339
 SPN Mat. 116

GCD 940031
 OEK 27
 TKP 401
 SPN Mat. 115
 Oud/Kalw. 14/12
 Gem. SI/Kalf 103/12

CE 990221
 SPN Mat. 77

CE 990138
 OEK 29
 TKP 392
 SPN Mat. 72
 Oud/Kalw. 10/8
 Gem. SI/Kalf 100/8

EI 920079
 SPN Mat. 128
EI 920048
 SPN Mat. 104
ESB N 0154
 SPN Mat. 98
GCD C 0010
 SPN Mat. 100
NFS 910339
 SPN Mat. 42
CE J 0078
 SPN Mat. 96
CE 970358
 SPN Mat. 95
CE 970041
 SPN Mat. 48

**KLIK HIER
 VIR VIDEO**

Lot	Seller	ID	PARENTS	Test	DIRECT CALF TRAITS					DAUGHTER TRAITS			GROWTH		EFF.	REP	MEASURE-MENTS			R:	Breeder Own Remarks							
					Progeny Birth Weight	Progeny Wean Weight	Ease of Calving	Milk prod.	Mature Weight	Post Wean Weight	Daily Gain	Feed Conv	Height & Length															
					Breeding Value Indexes															Semen Users	Breeder Own Remarks							
Lot	Seller	ID	POLLED	Gen	SIRE	GV	PV	DAM	GV	PV	Genomic Tested	DNA	Birth Dir	Wean Dir	Birth Mat	Wean Mat	Mat Wgt	Post Wean	ADG			FCR	SC	Hgt	Lgt	LHR	BWR	WWR
93	P.F. SCHEEPERS	CEF 110132			GCD 030148			NS540	105	99	132	87	94	91	87	88	92	94	97	-	266	7.53	9.8				7-9 Maande dragtig van MS ;CEF 17-445 (13.11.2020 tot 04.12.2020) ;CEF 18-480 (06.12.2020 tot 12.02.2021)	
		SP			CE 040070			19.08.11	35														46	7				

DRAGTIGE KOEIE




LOT 94: CEF 11-0165 | ZINABOS BONSMARAS



Lot 94 7-9 Maande dragtig van
KI CEF 17-545 (11.11.2020)
Opvolg LAR 17-271 (13.11.2020 tot 12.02.2021)

CEf 110165
SPN Mat. 67
OEK 35
TKP 367
RI 110
Oud/Kalw. 9/7
Gem. SI/Kalf 94/6

CEf 080426
SPN Mat. 67



CEf 080217
SPN Mat. 83
OEK 35
TKP 394
RI 106
Oud/Kalw. 12/9
Gem. SI/Kalf 99/9

CEf 040460
SPN Mat. 100

CEf 000050
OEK 27
TKP 371
SPN Mat. 110
Oud/Kalw. 13/12
Gem. SI/Kalf 102/12

CEf 060402
SPN Mat. 69

CEf 050182
OEK 36
TKP
SPN Mat. 110
Oud/Kalw. 3/1
Gem. SI/Kalf 112/1

CEf 020328
SPN Mat. 87
CEf 930057
SPN Mat. 121
CEf 960290
SPN Mat. 115
CEf 960003
SPN Mat. 98
CEf 030416
SPN Mat. 51
CEf 020016
SPN Mat. 102
B 970046
SPN Mat. 93
CEf 970021
SPN Mat. 112

**KLIK HIER
VIR VIDEO**

Lot	Seller	ID	PARENTS	Test	DIRECT CALF TRAITS		DAUGHTER TRAITS			GROWTH		EFF.	REP	MEASURE-MENTS			R:	Breeder Own Remarks		
					Progeny Birth Weight	Progeny Wean Weight	Ease of Calving	Milk prod.	Mature Weight	Post Wean Weight	Daily Gain			Feed Conv	Height & Length					
Lot	Seller	ID	PARENTS	Test	Breeding Value Indexes													LHR	Semens Users	Breeder Own Remarks
					Birth Dir	Wean Dir	Birth Mat	Wean Mat	Mat Wgt	Post Wean	ADG	FCR	SC	Hgt	Lgt	BWR				
					Acc	Acc	Acc	Acc	Acc	Acc	Acc	Acc	Acc	Acc	Acc	Acc	Acc			
					Wgt kg	Wgt kg	Ind	kg	kg	kg	365d Ind	540d Ind	Ind	Ind	(mm)	(mm)	(mm)			
94	P.F. SCHEEPERS	CEF 110165	POLLED Gen	CEf 080426	NS540	118	98	103	67	105	97	79	83	91	82	85	-	310	7-9 Maande dragtig van ;KI CEF 17-545 (11.11.2020) ;Opvolg LAR 17-271 (13.11.2020 tot 12.02.2021)	
				CEf 080217	DNS	-0.91	12.8	-0.32	-5.2	16.0	20.3	-2	-11	2.2	-14	-7	5.64	9.8		
					07.09.11	85	81	80	83	66	71	62	37	67	68	67	50.3	7		

DRAGTIGE KOEIE




LOT 95: CEF 13-0113 | ZINABOS BONSMARAS



Lot 95 7-9 Maande dragtig van
KI CEF 17-516 (11.11.2020)
Opvolg MS (12.11.2020 - 12.02.2021)

CEf 130113
SPN Mat. 95
OEK 38
TKP 347
RI 108
Oud/Kalw. 7/5
Gem. SI/Kalf 97/5

BP 090012
SPN Mat. 110



CEf 070142
OEK 32
TKP 417
RI 104
SPN Mat. 85
Oud/Kalw. 6/4
Gem. SI/Kalf95/4

BP 060021
SPN Mat. 90

BP 060012
OEK 35
TKP 427
SPN Mat. 130
Oud/Kalw. 9/6
Gem. SI/Kalf 108/6

CEf 040415
SPN Mat. 93

CEf 030086
OEK 31
TKP 388
SPN Mat. 94
Oud/Kalw. 10/8
Gem. SI/Kalf 100/7

LAR 990404
SPN Mat. 58
BP 940034
SPN Mat. 122
BP 030020
SPN Mat. 143
BP 030054
SPN Mat. 90
CEf 020321
SPN Mat. 117
CEf 940055
SPN Mat. 102
CEf 990259
SPN Mat. 86
CEf 000062
SPN Mat. 87

**KLIK HIER
VIR VIDEO**

Lot	Seller	ID	PARENTS	Test	DIRECT CALF TRAITS					DAUGHTER TRAITS			GROWTH		EFF.	REP	MEASURE-MENTS			R:	Breeder Own Remarks		
					Progeny Birth Weight	Progeny Wean Weight	Ease of Calving	Milk prod.	Mature Weight	Post Wean Weight	Daily Gain	Feed Conv	Height & Length										
					Breeding Value Indexes															Semens Users	Breeder Own Remarks		
Lot	Seller	ID	POLLED	Gen	SIRE GV PV	DAM GV PV	Genomic Tested DNA	Birth Dir Acc	Wean Dir Acc	Birth Mat Acc	Wean Mat Acc	Mat Wgt Acc	Post Wean Acc	ADG Acc	FCR Acc	SC Acc	Hgt Acc	Lgt Acc	LHR			BWR	WWR
95	P.F. SCHEEPERS	CEF 130113	SP	Gen	BP 090012	NS540		122	78	106	95	76	79	81	84	100	95	93	-	328		7-9 Maande dragtig van ;KI CEF 17-516 (11.11.2020) ;Opvolg MS (12.11.2020 - 12.02.2021)	
							-1.33	3.6	-0.47	2.5	-17.0	7.3	10	-14	10.2	-3	5	5.25	7.8				
					CEF 070142	25.08.13	25															41.5	5

DRAGTIGE KOEIE




LOT 97: CEF 16-0233 | ZINABOS BONSMARAS



Lot 97 7-9 Maande dragtig van
KI CEF 17-545 (11.11.2020)
Opvolg LAR 17-271 (13.11.2020 tot 12.02.2021)

CEF 160233
SPN Mat. 82
OEK 34
TKP 416
RI 100
Oud/Kalw. 4/2
Gem. SI/Kalf 98/1

SYF 120036
SPN Mat. 89



CEF 120011
OEK 29
TKP 408
RI 108
SPN Mat. 73
Oud/Kalw. 9/7
Gem. SI/Kalf98/6

SYF 070036
SPN Mat. 71

ADV 040165
OEK 29
TKP 380
SPN Mat. 116
Oud/Kalw. 16/14
Gem. SI/Kalf 103/13

CEF 080423
SPN Mat. 40

CEF 090142
OEK 30
TKP 383
SPN Mat. 107
Oud/Kalw. 4/2
Gem. SI/Kalf 104/2

AG 020251
SPN Mat. 121
SYF 990070
SPN Mat. 89
AG 980012
SPN Mat. 69
AG 930155
SPN Mat. 111
CEF 060325
SPN Mat. 57
CEF 020104
SPN Mat. 85
CEF 070386
SPN Mat. 84
CEF 050185
SPN Mat. 124

**KLIK HIER
VIR VIDEO**

Lot	Seller	ID	PARENTS	Test	DIRECT CALF TRAITS		DAUGHTER TRAITS			GROWTH		EFF.	REP	MEASURE-MENTS			R:	Semens Users	Breeder Own Remarks					
					Progeny Birth Weight	Progeny Wean Weight	Ease of Calving	Milk prod.	Mature Weight	Post Wean Weight	Daily Gain			Feed Conv	Height & Length									
					Breeding Value Indexes																			
Lot	Seller	ID	POLLED	Gen	SIRE GV PV	DAM GV PV	Genomic Tested DNA	Birth Dir Acc	Wean Dir Acc	Birth Mat Acc	Wean Mat Acc	Mat Wgt Acc	Post Wean Acc	ADG Acc	FCR Acc	SC Acc	Hgt Acc	Lgt Acc	LHR	BWR	WWR	297	4.8	7-9 Maande dragtig van ;KI CEF 17-545 (11.11.2020) ;Opvolg LAR 17-271 (13.11.2020 tot 12.02.2021)
97	P.F. SCHEEPERS	CEF 160233		SP	SYF 120036		NS540	104	95	82	82	97	92	92	102	89	80	86	-			297	4.8	7-9 Maande dragtig van ;KI CEF 17-545 (11.11.2020) ;Opvolg LAR 17-271 (13.11.2020 tot 12.02.2021)
								0.57	11.3	0.63	-1.2	6.0	16.7	62	-52	1.0	-15	-5				297	4.8	
					CEF 120011			80	75	67	67	58	62	54	30	57	57	57				42.8	2	
								23.09.16	35													2		

DRAGTIGE KOEIE



LOT 98: VV 16-0204 | ZINABOS BONSMARAS



Lot 98 7-9 Maande dragtig van MS
 CEF 17-445 (13.11.2020 tot 04.12.2020)
 CEF 18-480 (06.12.2020 tot 12.02.2021)

VV 160204
 SPN Mat. 99
 OEK 34
 TKP 368
 RI 102
 Oud/Kalw. 4/2
 Gem. SI/Kalf 100/2

VV 140452
 SPN Mat. 116

VV 140375
 SPN Mat. 92
 OEK 23
 TKP 356
 RI 123
 Oud/Kalw. 6/5
 Gem. SI/Kalf 97/4

VV 110401
 SPN Mat. 111

VV 110145
 OEK 23
 TKP 419
 SPN Mat. 110
 Oud/Kalw. 7/5
 Gem. SI/Kalf 99/5

VV 110238
 SPN Mat. 94
 Elite-Silwer

VV 090544
 OEK 34
 TKP 385
 SPN Mat. 110
 Oud/Kalw. 9/7
 Gem. SI/Kalf 99/7

AG 080204
 SPN Mat. 123
VV 040047
 SPN Mat. 130
VV 070012
 SPN Mat. 109
VV 060434
 SPN Mat. 119
VV 080162
 SPN Mat. 76
VV 030320
 SPN Mat. 117
VV 060294
 SPN Mat. 80
VV 050398
 SPN Mat. 135

**KLIK HIER
 VIR VIDEO**

Lot	Seller	ID	PARENTS	Test	DIRECT CALF TRAITS					DAUGHTER TRAITS			GROWTH		EFF.	REP	MEASURE-MENTS			R:	Breeder Own Remarks
					Progeny Birth Weight	Progeny Wean Weight	Ease of Calving	Milk prod.	Mature Weight	Post Wean Weight	Daily Gain	Feed Conv	Height & Length								
					Breeding Value Indexes											LHR	Semens Users				
Birth Dir	Wean Dir	Birth Mat	Wean Mat	Mat Wgt	Post Wean	ADG	FCR	SC	Hgt	Lgt	LHR	BWR	WWR								
Acc	Acc	Acc	Acc	Acc	Acc	Acc	Acc	Acc	Acc	Acc	Acc	Acc	Acc	Acc	Acc	Acc	Acc	Acc	Acc		
Birth Date	Wgt kg	Wgt kg	Ind	kg	kg	kg	365d Ind	540d Ind	Ind	Ind	Ind	(mm)	(mm)	(mm)							
98	P.F. SCHEEPERS	VV 160204	VV 140452	NS540	93	110	110	99	108	112	106	104	111	88	102	-	328		7-9 Maande dragtig van MS ;CEF 17-445 (13.11.2020 tot 04.12.2020) ;CEF 18-480 (06.12.2020 tot 12.02.2021)		
					1.74	18.1	-0.66	3.5	20.0	30.6	127	-55	18.7	-8	18	7.5	4.8				
		SP	VV 140375	19.09.16	30	74	62	68	61	60	44	33	47	49	47	45.2	2				

DRAGTIGE KOEIE




LOT 99: CEF 17-0161 | ZINABOS BONSMARAS



Lot 99 7-9 Maande dragtig van
KI CEF 17-545 (11.11.2020)
Opvolg LAR 17-271 (13.11.2020 tot 12.02.2021)

CEF 170161
SPN Mat. 116
AFC 25
ICP 368
RI 122
Age/Calv. 3/2
Avg. WI/Calv 104/2

CEF 150479
SPN Mat. 111



CEF 150066
AFC 29
ICP 368
RI 114
SPN Mat. 110
Age/Calv. 5/4
Avg. WI/Calv 100/4

CEF 100304
SPN Mat. 98
Elite-Silver
CEF 060200
AFC 30
ICP 408
SPN Mat. 130
Age/Calv. 10/8
Avg. WI/Calv 110/8

CEF 120401
SPN Mat. 95

CEF 120186
AFC 30
ICP 531
SPN Mat. 119
Age/Calv. 4/2
Avg. WI/Calv 105/1

CEF 080025
SPN Mat. 127
CEF 070151
SPN Mat. 106
CEF 010375
SPN Mat. 101
CEF 970076
SPN Mat. 99
CEF 080426
SPN Mat. 67
CEF 080145
SPN Mat. 130
CEF 090323
SPN Mat. 139
CEF 090070
SPN Mat. 98

**KLIK HIER
VIR VIDEO**

Lot	Seller	ID	PARENTS	Test	DIRECT CALF TRAITS		DAUGHTER TRAITS			GROWTH		EFF.	REP	MEASURE-MENTS			R:	Semens Users	Breeder Own Remarks			
					Progeny Birth Weight	Progeny Wean Weight	Ease of Calving	Milk prod.	Mature Weight	Post Wean Weight	Daily Gain			Feed Conv	Height & Length							
					Breeding Value Indexes																	
Lot	Seller	ID	SIRE GV PV	DAM GV PV	Genomic Tested DNA	Birth Dir Acc	Wean Dir Acc	Birth Mat Acc	Wean Mat Acc	Mat Wgt Acc	Post Wean Acc	ADG Acc	FCR Acc	SC Acc	Hgt Acc	Lgt Acc	LHR	BWR	WWR	276	3.8	7-9 Maande dragtig van ;KI CEF 17-545 (11.11.2020) ;Opvolg LAR 17-271 (13.11.2020 tot 12.02.2021)
99	P.F. SCHEEPERS	CEF 170161	CEF 150479	CEF 150066	PW365	105	103	100	116	116	106	104	106	91	101	102	-	276	3.8	7-9 Maande dragtig van ;KI CEF 17-545 (11.11.2020) ;Opvolg LAR 17-271 (13.11.2020 tot 12.02.2021)		
					DNA	0.48	14.9	-0.20	8.4	29.0	26.2	118	-60	2.3	3	17	7.09					
		SP			24.08.17	30		62	67	54	58	44	32	48	48	47	39.1	2				

DRAGTIGE KOEIE



LOT 100: CEF 11-0021 | ZINABOS BONSMARAS



Lot 100 7-9 Maande dragtig van MS
 CEF 18-480
 CEF 17-445
 CEF 17-475 (01.11.2020 tot 12.02.2021)

CEFC 110021
 SPN Mat. 72
 AFC 31
 ICP 357
 RI 115
 Age/Calv. 9/8
 Avg. WI/Calv 95/7

HOT 060054
 SPN Mat. 116
 Bronze

CEFC 070083
 SPN Mat. 79
 AFC 29
 ICP 394
 RI 110
 Age/Calv. 10/8
 Avg. WI/Calv 97/6

DB 000045
 SPN Mat. 126

SAS 000143
 AFC 31
 ICP 449
 SPN Mat. 86
 Age/Calv. 10/7
 Avg. WI/Calv 99/7

CEFC 010375
 SPN Mat. 101

CEFC 020007
 AFC 37
 ICP 432
 SPN Mat. 98
 Age/Calv. 13/9
 Avg. WI/Calv 99/9

AG 960059
 SPN Mat. 110
HOT 920186
 SPN Mat. 111
V 940377
 SPN Mat. 95
ASE 950148
 SPN Mat. 89
CEF 950270
 SPN Mat. 109
CEF 960086
 SPN Mat. 95
SAS 960037
 SPN Mat. 123
CEF 960072
 SPN Mat. 57

**KLIK HIER
 VIR VIDEO**

Lot	Seller	ID	PARENTS	Test	DIRECT CALF TRAITS					DAUGHTER TRAITS			GROWTH		EFF.	REP	MEASURE-MENTS			R:	Breeder Own Remarks		
					Progeny Birth Weight	Progeny Wean Weight	Ease of Calving	Milk prod.	Mature Weight	Post Wean Weight	Daily Gain	Feed Conv	Height & Length										
					Breeding Value Indexes															Semen Users	Breeder Own Remarks		
Lot	Seller	ID	POLLED	Gen	SIRE GV PV	DAM GV PV	Genomic Tested DNA	Birth Dir Acc	Wean Dir Acc	Birth Mat Acc	Wean Mat Acc	Mat Wgt Acc	Post Wean Acc	ADG Acc	FCR Acc	SC Acc	Hgt Acc	Lgt Acc	LHR			BWR	WWR
100	P.F. SCHEEPERS	CEF 110021			HOT 060054	PW540		92	100	105	72	108	105	85	90	99	96	94	-	317		7-9 Maande dragtig van MS ;CEF 18-480 ;CEF 17-445 ;CEF 17-475 (01.11.2020 tot 12.02.2021)	
								1.84	13.5	-0.43	-4.0	19.0	25.6	30	-26	8.8	-2	6		10.3			
		SP			CEFC 070083		10.03.11	85	81	81	84	68	73	62	43	67	67	66	6.51			40.8	8

DRAGTIGE KOEIE



LOT 101: CEF 18-0145 | ZINABOS BONSMARAS



Lot 101 1-3 Maande dragtig van MS
TMB 17-554
LAR 17-271
CEF 19-474 (10.05.2021 tot 31.07.2021)

CEf 180145
SPN Mat. 106
AFC 24
ICP
RI 128
Age/Calv. 2/1
Avg. WI/Calv 111/1

LAR 140064
SPN Mat. 106

CEf 100127
AFC 31
ICP 383
RI 111
SPN Mat. 99
Age/Calv. 10/8
Avg. WI/Calv 103/8

LAR 090281
SPN Mat. 130

LAR 110039
AFC 36
ICP 403
SPN Mat. 129
Age/Calv. 9/6
Avg. WI/Calv 107/6

CEf 070473
SPN Mat. 81

CEf 020184
AFC 30
ICP 391
SPN Mat. 131
Age/Calv. 10/8
Avg. WI/Calv 110/8

LAR 070090
SPN Mat. 124
LAR 050151
SPN Mat. 105
LAR 060224
SPN Mat. 122
LAR 080245
SPN Mat. 120
CEf 040431
SPN Mat. 85
CEf 000179
SPN Mat. 114
SPN Mat.
CEf 000018
SPN Mat. 104

**KLIK HIER
VIR VIDEO**

Lot	Seller	ID	PARENTS		Test	DIRECT CALF TRAITS		DAUGHTER TRAITS			GROWTH		EFF.	REP	MEASURE-MENTS			R:	Breeder Own Remarks		
			SIRE	DAM		Progeny Birth Weight	Progeny Wean Weight	Ease of Calving	Milk prod.	Mature Weight	Post Wean Weight	Daily Gain			Feed Conv	Height & Length					
Lot	Seller	ID	POLLED	Gen	Genomic Tested	Birth Dir	Wean Dir	Birth Mat	Wean Mat	Mat Wgt	Breeding Value Indexes		FCR	SC	Hgt	Lgt	LHR	Semen Users	Breeder Own Remarks		
											GV	PV								Acc	Acc
Lot	Seller	ID	POLLED	Gen	DNA	Wgt kg	Wgt kg	Ind	kg	kg	kg	365d	540d	Ind	Ind	(mm)	(mm)	(mm)	LHR	Semen Users	Breeder Own Remarks
												Ind	Ind								
101	P.F. SCHEEPERS	CEF 180145	POLLED	SP	LAR 140064	PW540	91	118	109	106	111	112	116	106	105	108	111	-	321	1-3 Maande dragtig van MS ;TMB 17-554 ;LAR 17-271 ;CEF 19-474 (10.05.2021 tot 31.07.2021)	
					CEf 100127	12.08.18	1.99	22.0	-0.60	5.6	22.0	30.7	176	-60	13.7	8	31	5.94	2.9		
							34											39.4	1		



LOT 102: CEF 18-0109 | ZINABOS BONSMARAS



Lot 102 1-3 Maande dragtig van MS
 TMB 17-554
 LAR 17-271
 CEF 19-474 (10.05.2021 tot 31.07.2021)

CE 180109
 SPN Mat. 118
 AFC 28
 ICP
 RI 115
 Age/Calv. 2/1
 Avg. WI/Calv 93/1

CE 130548
 SPN Mat. 154

CE 130100
 SPN Mat. 91
 AFC 31
 ICP 360
 RI 114
 Age/Calv. 7/6
 Avg. WI/Calv 106/5

GJN 100238
 SPN Mat. 112
 Elite-Silver
CE 110046
 AFC 30
 ICP 392
 SPN Mat. 134
 Age/Calv. 10/8
 Avg. WI/Calv 109/7

AG 090762
 SPN Mat. 75

CE 050052
 AFC 28
 ICP 416
 SPN Mat. 66
 Age/Calv. 11/9
 Avg. WI/Calv 89/9

WAT 070090
 SPN Mat. 120
GJN 080116
 SPN Mat. 97
CE 080435
 SPN Mat. 93
CE 080110
 SPN Mat. 131
CE 040431
 SPN Mat. 85
AG 000415
 SPN Mat. 113
CE 010357
 SPN Mat. 42
CE 020119
 SPN Mat. 145

**KLIK HIER
 VIR VIDEO**

Lot	Seller	ID	POLLED	Gen	PARENTS		Test	Breeding Value Indexes										LHR	BWR	WWR	Semen Users	Breeder Own Remarks		
					SIRE	PV		Birth Dir	Wean Dir	Birth Mat	Wean Mat	Mat Wgt	Post Wean	ADG	FCR	SC	Hgt						Lgt	
								Direct Calv Traits		Daughter Traits		Growth		EFF.	REP	MEASURE-MENTS		R:						
								Progeny Birth Weight	Progeny Wean Weight	Ease of Calving	Milk prod.	Mature Weight	Post Wean Weight	Daily Gain	Feed Conv	Height & Length								
								Genomic Tested	Birth Dir	Wean Dir	Birth Mat	Wean Mat	Mat Wgt	Post Wean	ADG	FCR	SC	Hgt	Lgt					
								DNA	Acc	Acc	Acc	Acc	Acc	Acc	Acc	Acc	Acc	Acc	Acc					
								Birth Date	Wgt kg	Wgt kg	Ind	kg	kg	kg	365d Ind	540d Ind	Ind	Ind	(mm)	(mm)	(mm)			
102	P.F. SCHEEPERS	CEF 180109		SP	CEF 130548	PW365		111	104	108	118	113	106	88	90	94	86	99	-	293				
								-0.11	15.2	-0.58	8.8	25.0	26.2	40	-25	5.2	-11	13		3.1	1-3 Maande dragtig van MS ;TMB 17-554 ;LAR 17-271 ;CEF 19-474 (10.05.2021 tot 31.07.2021)			
					CEF 130100		09.05.18	80	75	63	67	56	63	56	24	57	57	57	4.52		1			
								28											40.5					



LOT 103: CEF 18-0184 | ZINABOS BONSMARAS



Lot 103 1-3 Maande dragtig van MS
 TMB 17-554
 LAR 17-271
 CEF 19-474 (10.05.2021 tot 31.07.2021)

CEF 180184
 SPN Mat. 106
 AFC 23
 ICP
 RI 131
 Age/Calv. 2/1
 Avg. WI/Calv 104/1

CEF 150360
 SPN Mat. 104
 Bronze

CEF 130181
 AFC 31
 ICP 397
 RI 108
 SPN Mat. 110
 Age/Calv. 7/5
 Avg. WI/Calv 108/5

CEF 100304
 SPN Mat. 98
 Elite-Silver
CEF 090135
 AFC 31
 ICP 367
 SPN Mat. 113
 Age/Calv. 11/9
 Avg. WI/Calv 107/8
HJB 040251
 SPN Mat. 107

CEF 090059
 AFC 28
 ICP 365
 SPN Mat. 107
 Age/Calv. 5/4
 Avg. WI/Calv 102/4

CEF 080025
 SPN Mat. 127
CEF 070151
 SPN Mat. 106
CEF 070455
 SPN Mat. 112
CEF 070095
 SPN Mat. 104
AG 980338
 SPN Mat. 87
RCO 000153
 SPN Mat. 91
CEF 030447
 SPN Mat. 97
CEF 040193
 SPN Mat. 110

**KLIK HIER
 VIR VIDEO**

Lot	Seller	ID	PARENTS	Test	DIRECT CALF TRAITS		DAUGHTER TRAITS			GROWTH		EFF.	REP	MEASURE-MENTS			R:	Breeder Own Remarks					
					Progeny Birth Weight	Progeny Wean Weight	Ease of Calving	Milk prod.	Mature Weight	Post Wean Weight	Daily Gain			Feed Conv	Height & Length								
					Breeding Value Indexes													Semen Users	Breeder Own Remarks				
Lot	Seller	ID	POLLED	Gen	SIRE GV PV	DAM GV PV	Genomic Tested DNA	Birth Dir Acc	Wean Dir Acc	Birth Mat Acc	Wean Mat Acc	Mat Wgt Acc	Post Wean Acc	ADG Acc	FCR Acc	SC Acc	Hgt Acc			Lgt Acc	LHR	BWR	WWR
103	P.F. SCHEEPERS	CEF 180184	SP	PW540	CEF 150360			81	136	108	106	115	130	121	104	102	106	117	-	338	1-3 Maande dragtig van MS ;TMB 17-554 ;LAR 17-271 ;CEF 19-474 (10.05.2021 tot 31.07.2021)		
					CEF 130181			3.00	29.9	-0.57	5.7	27.0	43.5	196	-56	11.3	6	38	7.08	2.8			
						26.08.18	39																46.1



LOT 104: CEF 17-0159 | ZINABOS BONSMARAS



Lot 104 1-3 Maande dragtig van MS
 TMB 17-554
 LAR 17-271
 CEF 19-474 (10.05.2021 tot 31.07.2021)

CE 170159
 SPN Mat. 84
 AFC 25
 ICP 342
 RI 123
 Age/Calv. 3/2
 Avg. WII/Calv 101/1

CE 150565
 SPN Mat. 100

CE 150064
 AFC 29
 ICP 373
 RI 113
 Age/Calv. 5/4
 Avg. WII/Calv 90/4

CE 120399
 SPN Mat. 113

CE 100170
 Elite-Bronze
 AFC 30
 ICP 389
 SPN Mat. 89
 Age/Calv. 10/8
 Avg. WII/Calv 98/7

ADV 100068
 SPN Mat. 53

CE 060009
 AFC 28
 ICP 408
 SPN Mat. 112
 Age/Calv. 9/7
 Avg. WII/Calv 105/7

WAT 080080
 SPN Mat. 71
CE 040019
 SPN Mat. 124
CE 080338
 SPN Mat. 89
CE 070013
 SPN Mat. 93
SYF 070036
 SPN Mat. 71
ADV 070142
 SPN Mat. 58
CE 030401
 SPN Mat. 104
CE 030121
 SPN Mat. 126

**KLIK HIER
 VIR VIDEO**

Lot	Seller	ID	PARENTS	Test	DIRECT CALF TRAITS		DAUGHTER TRAITS			GROWTH		EFF.	REP	MEASURE-MENTS			R:	Breeder Own Remarks				
					Progeny Birth Weight	Progeny Wean Weight	Ease of Calving	Milk prod.	Mature Weight	Post Wean Weight	Daily Gain			Feed Conv	Height & Length							
					Breeding Value Indexes													Semen Users				
Lot	Seller	ID	POLLED	Gen	SIRE GV PV	Genomic Tested DNA	Birth Dir Acc	Wean Dir Acc	Birth Mat Acc	Wean Mat Acc	Mat Wgt Acc	Post Wean Acc	ADG Acc	FCR Acc	SC Acc	Hgt Acc	Lgt Acc			LHR	BWR	WWR
104	P.F. SCHEEPERS	CEF 170159	SP	Gen	CE 150565	PW365	109	111	102	84	118	117	123	110	109	121	115	-	288			
					<input checked="" type="checkbox"/>		0.04	18.7	-0.28	-0.6	30.0	34.1	206	-68	17.3	19	36	6.88	3.8	1-3 Maande dragtig van MS ;TMB 17-554 ;LAR 17-271 ;CEF 19-474 (10.05.2021 tot 31.07.2021)		
					CE 150064	DNA	78	74	61	61	53	54	46	25	50	51	49					
						23.08.17	28											47.2	2			

DRAGTIGE KOEIE




LOT 105: CEF 14-0223 | ZINABOS BONSMARAS



Lot 105 1-3 Maande dragtig van MS
TMB 17-554
LAR 17-271
CEF 19-474 (10.05.2021 tot 31.07.2021)

ADV 090064
SPN Mat. 81



CEF 140223
SPN Mat. 89
OEK 29
TKP 444
RI 104
Oud/Kalw. 6/4
Gem. SI/Kalf 102/4

ADV 050053
SPN Mat. 90

ADV 050171
OEK 29 SPN Mat. 79
TKP 383 Oud/Kalw. 15/13
Gem. SI/Kalf 101/12

LDW 050008
SPN Mat. 90

CEF 090137
OEK 31 SPN Mat. 82
TKP 397 Oud/Kalw. 9/7
RI 108 Gem. SI/Kalf 94/7

CEF 010128
OEK 30 SPN Mat. 108
TKP 398 Oud/Kalw. 8/6
Gem. SI/Kalf 106/6

LAR 000265
SPN Mat. 86
AG 910100
SPN Mat. 109
SYF 030011
SPN Mat. 75
ADV 030039
SPN Mat. 79
CEF 990259
SPN Mat. 86
SAS 020069
SPN Mat. 97
RCO 980127
SPN Mat. 80
CEF 940048
SPN Mat. 109

**KLIK HIER
VIR VIDEO**

Lot	Seller	ID	POLLED	Gen	PARENTS		Test	Breeding Value Indexes										LHR	BWR	WWR	Semen Users	Breeder Own Remarks
					SIRE	DAM		Birth Dir	Wean Dir	Birth Mat	Wean Mat	Mat Wgt	Post Wean	ADG	FCR	SC	Hgt					
		GV		PV		DNA		Acc	Acc	Acc	Acc	Acc	Acc	Acc	Acc	Acc	Acc	Acc	Acc	Acc		
		GV		PV		Birth Date		Wgt kg	Wgt kg	Ind	kg	kg	kg	365d Ind	540d Ind	Ind	Ind	(mm)	(mm)	(mm)		
105	P.F. SCHEEPERS	CEF 140223	SP		ADV 090064	NS365		93	107	100	89	119	104	106	102	125	104	101	-	228	1-3 Maande dragtig van MS ;TMB 17-554 ;LAR 17-271 ;CEF 19-474 (10.05.2021 tot 31.07.2021)	
							1.75	16.8	-0.19	0.9	32.0	25.0	125	-51	30.7	4	16	7.24	6.7			
					CEF 090137	12.10.14	36															42.5

DRAGTIGE KOEIE



LOT 106: CEF 14-0206 | ZINABOS BONSMARAS



Lot 106 1-3 Maande dragtig van MS
 TMB 17-554
 LAR 17-271
 CEF 19-474 (10.05.2021 tot 31.07.2021)

MRW 100125
 SPN Mat. 80

CEF 140206
 SPN Mat. 78
 OEK 35
 TKP 370
 RI 106
 Oud/Kalw. 6/4
 Gem. Sl/Kalf 97/5

CEF 070201
 SPN Mat. 77
 OEK 34
 TKP 381
 RI 106
 Oud/Kalw. 7/5
 Gem. Sl/Kalf 98/5

WSS 070005 P
 SPN Mat. 95

MRW 020190
 SPN Mat. 86
 OEK 35
 TKP 361
 Oud/Kalw. 8/6
 Gem. Sl/Kalf 101/6

CEF 050392
 SPN Mat. 74

CEF 050067
 SPN Mat. 73
 OEK 29
 TKP 369
 Oud/Kalw. 4/3
 Gem. Sl/Kalf 95/2

JPL 020071 P
 SPN Mat. 109
WVZ 010074
 SPN Mat. 95
MRW 980206
 SPN Mat. 71
MRW 940232
 SPN Mat. 100
CEF 020328
 SPN Mat. 87
CEF 000177
 SPN Mat. 87
CEF 020303
 SPN Mat. 81
CEF 020048
 SPN Mat. 74

**KLIK HIER
 VIR VIDEO**

Lot	Seller	ID	PARENTS	Test	DIRECT CALF TRAITS					DAUGHTER TRAITS			GROWTH		EFF.	REP	MEASURE-MENTS			R:	Breeder Own Remarks		
					Progeny Birth Weight	Progeny Wean Weight	Ease of Calving	Milk prod.	Mature Weight	Post Wean Weight	Daily Gain	Feed Conv	Height & Length										
					Breeding Value Indexes															Semen Users			
Lot	Seller	ID	POLLED	Gen	SIRE GV PV	DAM GV PV	Genomic Tested DNA	Birth Dir Acc	Wean Dir Acc	Birth Mat Acc	Wean Mat Acc	Mat Wgt Acc	Post Wean Acc	ADG Acc	FCR Acc	SC Acc	Hgt Acc	Lgt Acc	LHR			BWR	WWR
106	P.F. SCHEEPERS	CEF 140206	SP		MRW 100125	NS365	106	95	94	78	135	98	94	93	85	91	93	-	280				
							0.36	11.3	0.10	-2.2	50.0	20.8	68	-33	-2.3	-6	5	7.21	6.7	1-3 Maande dragtig van MS ;TMB 17-554 ;LAR 17-271 ;CEF 19-474 (10.05.2021 tot 31.07.2021)			
					CEF 070201	04.10.14	31																

DRAGTIGE KOEIE



LOT 107: CEF 11-0081 | ZINABOS BONSMARAS



Lot 107 1-3 Maande dragtig van MS
 TMB 17-554
 LAR 17-271
 CEF 19-474 (10.05.2021 tot 31.07.2021)

Elite-Goud
CEF 110081
 SPN Mat. 113
 OEK 28
 TKP 371
 RI 115
 Oud/Kalw. 9/8
 Gem. SI/Kalf 101/8

Elite-Silwer
CEF 070487
 SPN Mat. 98

Elite-Silwer
CEF 060200
 SPN Mat. 130
 Oud/Kalw. 10/8
 Gem. SI/Kalf 110/8

Elite-Silwer
CEF 030447
 SPN Mat. 97

Elite-Silwer
CEF 000103
 OEK 26
 TKP 445
 SPN Mat. 106
 Oud/Kalw. 13/10
 Gem. SI/Kalf 104/8

Elite-Silwer
CEF 010375
 SPN Mat. 101

Elite-Silwer
CEF 970076
 OEK 30
 TKP 372
 SPN Mat. 99
 Oud/Kalw. 11/9
 Gem. SI/Kalf 100/9

Elite-Silwer
CEF 990287
 SPN Mat. 98

Elite-Silwer
CEF 940048
 SPN Mat. 109
LAR 970024

Elite-Silwer
 SPN Mat. 77
CEF N 0102

Elite-Silwer
 SPN Mat. 96
CEF 950270

Elite-Silwer
 SPN Mat. 109
CEF 960086

Elite-Silwer
 SPN Mat. 95
NFS 910339

Elite-Silwer
 SPN Mat. 42

Elite-Silwer
 SPN Mat.

**KLIK HIER
 VIR VIDEO**

Lot	Seller	ID	PARENTS	Test	DIRECT CALF TRAITS		DAUGHTER TRAITS			GROWTH		EFF.	REP	MEASURE-MENTS			R:	Semens Users	Breeder Own Remarks	
					Progeny Birth Weight	Progeny Wean Weight	Ease of Calving	Milk prod.	Mature Weight	Post Wean Weight	Daily Gain			Feed Conv	Height & Length					
					Breeding Value Indexes															
	POLLED	Gen	SIRE GV PV	DAM GV PV	Genomic Tested DNA	Birth Dir Acc	Wean Dir Acc	Birth Mat Acc	Wean Mat Acc	Mat Wgt Acc	Post Wean Acc	ADG Acc	FCR Acc	SC Acc	Hgt Acc	Lgt Acc	LHR	BWR	WWR	
																				Birth Date
107	P.F. SCHEEPERS	CEF 110081	CEF 070487	NS540	101	104	91	113	114	104	109	113	88	118	111	-	271			
			CEF 060200		0.93 86	15.3 83	0.24 81	7.5 85	25.0 73	25.3 76	141 69	-74 30	0.1 74	16 75	30 73	5.63	10.2	1-3 Maande dragtig van MS ;TMB 17-554 ;LAR 17-271 ;CEF 19-474 (10.05.2021 tot 31.07.2021)		
		SP		10.04.11	30											-	8			

DRAGTIGE KOEIE



LOT 109: CEF 11-0141 | ZINABOS BONSMARAS



Lot 109 1-3 Maande dragtig van MS
 TMB 17-554
 LAR 17-271
 CEF 19-474 (10.05.2021 tot 31.07.2021)

CE 110141
 SPN Mat. 142
 OEK 31
 TKP 390
 RI 109
 Oud/Kalw. 9/7
 Gem. SI/Kalf 110/6

GCD 030148
 SPN Mat. 117

CE 010089
 OEK 33
 TKP 382
 RI 109
 SPN Mat. 114
 Oud/Kalw. 10/8
 Gem. SI/Kalf 101/8

EI 940339
 SPN Mat. 116

GCD 940031
 OEK 27
 TKP 401
 SPN Mat. 115
 Oud/Kalw. 14/12
 Gem. SI/Kalf 103/12

CE 990236
 SPN Mat. 110

CE 970121
 OEK 31
 TKP 433
 SPN Mat. 72
 Oud/Kalw. 5/3
 Gem. SI/Kalf 95/3

EI 920079
 SPN Mat. 128
EI 920048
 SPN Mat. 104
ESB N 0154
 SPN Mat. 98
GCD C 0010
 SPN Mat. 100
NPT 910020
 SPN Mat. 86
NFS K 0030
 SPN Mat. 105
NFS 910339
 SPN Mat. 42
NFS N 0030
 SPN Mat. 84

**KLIK HIER
 VIR VIDEO**

Lot	Seller	ID	PARENTS	Test	DIRECT CALF TRAITS					DAUGHTER TRAITS			GROWTH		EFF.	REP	MEASURE-MENTS			R:	Breeder Own Remarks		
					Progeny Birth Weight	Progeny Wean Weight	Ease of Calving	Milk prod.	Mature Weight	Post Wean Weight	Daily Gain	Feed Conv	Height & Length										
					Breeding Value Indexes													Semen Users					
Lot	Seller	ID	POLLED	Gen	SIRE GV PV	DAM GV PV	Genomic Tested DNA	Birth Dir Acc	Wean Dir Acc	Birth Mat Acc	Wean Mat Acc	Mat Wgt Acc	Post Wean Acc	ADG Acc	FCR Acc	SC Acc	Hgt Acc			Lgt Acc	LHR	BWR	WWR
109	P.F. SCHEEPERS	CEF 110141	SP	Gen	GCD 030148	NS540		95	96	89	142	117	103	101	97	113	109	106	-	313		1-3 Maande dragtig van MS ;TMB 17-554 ;LAR 17-271 ;CEF 19-474 (10.05.2021 tot 31.07.2021)	
					CE 010089		1.54	11.6	0.33	15.7	30.0	24.3	102	-42	20.7	9	23	5.69	9.8				
					25.08.11	35												33.2	7				

DRAGTIGE KOEIE




LOT 110: CEF 12-0042 | ZINABOS BONSMARAS



Lot 110 1-3 Maande dragtig van MS
 TMB 17-554
 LAR 17-271
 CEF 19-474 (10.05.2021 tot 31.07.2021)

CEP 120042
 SPN Mat. 107
 OEK 28
 TKP 374
 RI 114
 Oud/Kalw. 9/7
 Gem. SI/Kalf 100/7

NPT 080247
 SPN Mat. 133



CEP 090177
 SPN Mat. 87
 OEK 30
 TKP 413
 RI 108
 Oud/Kalw. 4/2
 Gem. SI/Kalf 95/1

NPT 050130
 SPN Mat. 135

NPT 980267
 OEK 34
 TKP 428
 SPN Mat. 118
 Oud/Kalw. 13/10
 Gem. SI/Kalf 102/10

GCD 030148
 SPN Mat. 117

CEP 050024
 OEK 28
 TKP 393
 SPN Mat. 60
 Oud/Kalw. 12/10
 Gem. SI/Kalf 91/9

NPT 020216
 SPN Mat. 126
NPT 990056
 SPN Mat. 107
VV 950265
 SPN Mat. 96
NPT 920123
 SPN Mat. 114
EI 940339
 SPN Mat. 116
GCD 940031
 SPN Mat. 115
CEP 020303
 SPN Mat. 81
CEP 020162
 SPN Mat. 91

**KLIK HIER
 VIR VIDEO**

Lot	Seller	ID	PARENTS	Test	DIRECT CALF TRAITS		DAUGHTER TRAITS			GROWTH		EFF.	REP	MEASURE-MENTS			R:	Semens Users	Breeder Own Remarks					
					Progeny Birth Weight	Progeny Wean Weight	Ease of Calving	Milk prod.	Mature Weight	Post Wean Weight	Daily Gain			Feed Conv	Height & Length									
					Breeding Value Indexes																			
Lot	Seller	ID	POLLED	Gen	SIRE GV PV	DAM GV PV	Genomic Tested DNA	Birth Dir Acc	Wean Dir Acc	Birth Mat Acc	Wean Mat Acc	Mat Wgt Acc	Post Wean Acc	ADG Acc	FCR Acc	SC Acc	Hgt Acc	Lgt Acc	LHR	BWR	WWR	266	9.2	1-3 Maande dragtig van MS ;TMB 17-554 ;LAR 17-271 ;CEF 19-474 (10.05.2021 tot 31.07.2021)
110	P.F. SCHEEPERS	CEF 120042			NPT 080247		NS365	98	79	96	107	82	80	79	87	90	94	91	-			266	9.2	1-3 Maande dragtig van MS ;TMB 17-554 ;LAR 17-271 ;CEF 19-474 (10.05.2021 tot 31.07.2021)
		SP			CEP 090177		27.03.12	1.19	4.1	-0.01	5.8	-11.0	8.1	1	-19	1.7	-4	1	7.13			266	9.2	
								84	79	78	82	68	62	53	16	58	59	57				266	9.2	
								32											48.7			7		

DRAGTIGE KOEIE




LOT 111: CEF 12-0222 | ZINABOS BONSMARAS



Lot 111 1-3 Maande dragtig van MS
TMB 17-554
LAR 17-271
CEF 19-474 (10.05.2021 tot 31.07.2021)

CEF 120222
SPN Mat. 111
AFC 29
ICP 411
RI 108
Age/Calv. 8/6
Avg. WI/Calf 99/5

CEF 100450
SPN Mat. 104



CEF 100062
AFC 30
ICP 355
RI 115
SPN Mat. 106
Age/Calv. 6/5
Avg. WI/Calf 93/5

CEF 080439
SPN Mat. 89

CEF 080019
AFC 30
ICP 363
Avg. WI/Calf 101/8
VV 040323
SPN Mat. 131
Silver

CEF 030186
AFC 29
ICP 430
SPN Mat. 84
Age/Calv. 10/7
Avg. WI/Calf 94/7

CEF 040458
SPN Mat. 92
CEF 010198
SPN Mat. 84
VV 040046
SPN Mat. 114
CEF 010036
SPN Mat. 134
VV 010112
SPN Mat. 126
VV 000188
SPN Mat. 110
CEF 990259
SPN Mat. 86
CEF 980119
SPN Mat. 99

**KLIK HIER
VIR VIDEO**

Lot	Seller	ID	POLLED	Gen	PARENTS		Test	Breeding Value Indexes										LHR	BWR	WWR	Semen Users	Breeder Own Remarks													
					SIRE	DAM		Birth Dir	Wean Dir	Birth Mat	Wean Mat	Mat Wgt	Post Wean	ADG	FCR	SC	Hgt						Lgt												
								Progeny Birth Weight		Progeny Wean Weight		Ease of Calving		Milk prod.		Mature Weight		Post Wean Weight		Daily Gain		Feed Conv		MEASURE-MENTS		R:									
								Genomic Tested		DNA		Acc		Acc		Acc		Acc		Acc		Acc		Acc		Acc		Acc							
								Birth Date		Wgt kg		Wgt kg		Ind		kg		kg		kg		365d Ind		540d Ind		Ind		Ind		(mm)		(mm)		(mm)	
111	P.F. SCHEEPERS	CEF 120222		SP	CEF 100450	PW540		98	90	115	111	80	97	106	101	98	90	99	-	249	8.7	50.5	249	8.7	6	1-3 Maande dragtig van MS ;TMB 17-554 ;LAR 17-271 ;CEF 19-474 (10.05.2021 tot 31.07.2021)									
					CEF 100062	DNA		1.19	9.0	-0.90	7.0	-13.0	20.1	126	-48	8.7	-7	13	8.99																
						02.10.12		84	80	77	80	65	72	66	28	71	72	70																	

DRAGTIGE KOEIE



LOT 112: CEF 12-0107 | ZINABOS BONSMARAS



Lot 112 1-3 Maande dragtig van MS
 TMB 17-554
 LAR 17-271
 CEF 19-474 (10.05.2021 tot 31.07.2021)

CEFC 120107
 SPN Mat. 82
 AFC 31
 ICP 407
 RI 106
 Age/Calv. 8/6
 Avg. Wl/Calf 101/5

CEFC 080426
 SPN Mat. 67

CEFC 090016
 AFC 29
 ICP 374
 RI 113
 Age/Calv. 3/2
 Avg. Wl/Calf 101/1

CEFC 040460
 SPN Mat. 100

CEFC 000050
 AFC 27
 ICP 371
 SPN Mat. 110
 Age/Calv. 13/12
 Avg. Wl/Calf 102/12

CEFC 060309
 SPN Mat. 91

CEFC 060073
 AFC 35
 ICP
 SPN Mat. 73
 Age/Calv. 3/1
 Avg. Wl/Calf 97/1

CEFC 020328
 SPN Mat. 87
CEFC 930057
 SPN Mat. 121
CEFC 960290
 SPN Mat. 115
CEFC 960003
 SPN Mat. 98
CEFC 030417
 SPN Mat. 106
CEFC 030135
 SPN Mat. 89
CEFC 030416
 SPN Mat. 51
CEFC 020203
 SPN Mat. 90

**KLIK HIER
 VIR VIDEO**

Lot	Seller	ID	PARENTS	Test	DIRECT CALF TRAITS		DAUGHTER TRAITS			GROWTH		EFF.	REP	MEASURE-MENTS			R:	Breeder Own Remarks			
					Progeny Birth Weight	Progeny Wean Weight	Ease of Calving	Milk prod.	Mature Weight	Post Wean Weight	Daily Gain			Feed Conv	Height & Length						
					Breeding Value Indexes																
Lot	Seller	ID	SIRE GV PV	DAM GV PV	Genomic Tested DNA	Birth Dir Acc	Wean Dir Acc	Birth Mat Acc	Wean Mat Acc	Mat Wgt Acc	Post Wean Acc	ADG Acc	FCR Acc	SC Acc	Hgt Acc	Lgt Acc	LHR	BWR	WWR	Semen Users	Breeder Own Remarks
112	P.F. SCHEEPERS	CEF 120107	POLLED	Gen	CEFC 080426	PW540	109	103	92	82	109	105	96	91	89	100	98	-	252		1-3 Maande dragtig van MS ;TMB 17-554 ;LAR 17-271 ;CEF 19-474 (10.05.2021 tot 31.07.2021)
					CEFC 090016	DNA	0.09	15.0	0.17	-1.0	20.0	25.8	79	-29	0.8	1	11	5.82	8.9		
						13.08.12	31												43	6	

DRAGTIGE KOEIE



Fourie Scheepers
ZINABOS BONSMARA

FOR MORE INFORMATION

Fourie Scheepers – 083 701 8382 • Esias Scheepers – 083 469 4714 • Louis Scheepers – 082 890 2231

 ZINABOS BONSMARA  WWW.ZINABOS.CO.ZA