

Fourie Scheepers

ZINABOS BONSMARA

36^{ste} PRODUKSIE VEILING



VRYDAG • 2 AUGUSTUS 2024 • 11:00
op die plaas Hoogland • Fouriesburg

BESIGTING • 1 AUGUSTUS 2024 VANAF • 14:00

Onder beskerming van die Bonsmara
Beestelersgenootskap

VEILING OP TERREIN & DIGITAAL! • 48 SP BULLE | 38 STOETKOEIE (DRAGTIG OF MET KALWERS) 188 SLAGOSSE (A & AB GRAAD)



Lot 1 CEF210407



Lot 3 CEF210440



Lot 6 CEF210427



Lot 7 CEF210475



Lot 12 CEF220357



Lot 14 CEF220404

[KLIK HIER OM TE REGISTREER](#)

[TEKEN IN](#)

[TERMES EN VOORWAARDES](#)

NAVRAE :
FOURIE SCHEEPERS 083 701 8382
ESIAS SCHEEPERS 083 469 4714
SCHALK BURGER 076 070 1411
GERRIE BRITZ 082 828 2855
AFSLAER: MIKE KILLASSY 082 378 8112
JAN MOSTERT 083 306 8408



BKB

The Trusted Home of Agriculture
Die Betroubare Tuiste van Landbou



AFSLAERS:
BKB LIMITED
61 GRAHAMSTOWN RD, NORTHEND
PORT ELIZABETH, 6001
BTW NR.: 4100 101338
REG NR.: 1998/012435/06
BKB, BETHLEHEM: 058 303 8552



SALES UNDER AUSPICES OF BONSMARA SA

Bonsmara stud breeding is subject to the stipulations of the Livestock Improvement Act and conforms to the standards of Bonsmara SA. The Society therefore has the right to implement certain controls to ensure the accuracy of information regarding Parentage, Performance and Estimated Breeding Values.

Information regarding Parentage, Performance and Estimated Breeding Values of animals, as supplied by the breeder, have been verified and compared to the official database of LOGIX BEEF. Bonsmara SA therefore, confirms the accuracy of such information.

To the knowledge of the Society these controls have been carried out accurately. However, the Society does not take any responsibility for incorrect information through printing errors or incorrect information provided by the breeder.

Animals on such sales have been visually screened by Inspectors of Bonsmara SA and comply with the Bonsmara Minimum Breed Standards as stipulated by the Society.

The Society DOES NOT have any control over:

- Immunization and health status of animals
- Pregnancy status of cows and heifers
- Suitability of a bull for breeding
- Fertility status as well as venereal diseases and
- Commercial animals

Since the above is not classified as information regarding Parentage, Performance and Estimated Breeding Values, it DOES NOT fall within the jurisdiction of the meaning "Under the Auspices of Bonsmara SA".



SALES UNDER AUSPICES OF BONSMARA SA

Bonsmara stud breeding is subject to the stipulations of the Livestock Improvement Act and conforms to the standards of Bonsmara SA. The Society therefore has the right to implement certain controls to ensure the accuracy of information regarding Parentage, Performance and Estimated Breeding Values.

Information regarding Parentage, Performance and Estimated Breeding Values of animals, as supplied by the breeder, have been verified and compared to the official database of LOGIX BEEF. Bonsmara SA therefore, confirms the accuracy of such information.

To the knowledge of the Society these controls have been carried out accurately. However, the Society does not take any responsibility for incorrect information through printing errors or incorrect information provided by the breeder.

Animals on such sales have been visually screened by Inspectors of Bonsmara SA and comply with the Bonsmara Minimum Breed Standards as stipulated by the Society.

The Society DOES NOT have any control over:

- Immunization and health status of animals
- Pregnancy status of cows and heifers
- Suitability of a bull for breeding
- Fertility status as well as venereal diseases and
- Commercial animals

Since the above is not classified as information regarding Parentage, Performance and Estimated Breeding Values, it DOES NOT fall within the jurisdiction of the meaning "Under the Auspices of Bonsmara SA".





ANIMAL AND PEDIGREE INFORMATION

1. Lot Number
2. Owner of the animal
3. Herd's logo (if available)
4. Animal Identification Number
5. Birth date
6. Herd book section - NFR / PEN / F0 / A / B / SP
7. Four (4) generation pedigree
8. Genomic testing - it is indicated with the GT logo
9. Polled Status - the status will only be printed for animals that have been tested
10. Parentage Verification - a green tick (✓) indicates that the sire and/or dam has been verified via either microsatellite (DNA), or Genomic testing
11. QR Code - This code can be scanned with a smart device. It redirects to the animal's information on www.SABeefBulls.com where all information for the animal is available.
12. Dam information
 - Age and Number of Calvings
 - Average Wean Index and Number of Calves Weaned
 - Intercalving Period

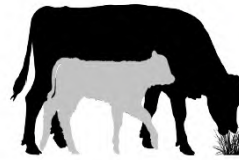
MYOSTATIN STATUS

The animal's status, if tested for myostatin variants, is indicated as follows:

- Not Tested
- 0 - Normal
- 1 - Heterozygous / Carrier of Double-Muscling gene
- 2 - Homozygous / Double-Muscled

LOGIX SELECTION VALUES

Calving Ease Value 109 1	Weaner Calf Value 98 2	Fertility Value 111 3	Maintenance Value 99 4	Cow Value 101 5	Growth Value 98 6	Carcass Value 103 7
--------------------------------	------------------------------	-----------------------------	------------------------------	-----------------------	-------------------------	---------------------------



5 L♀ GIX Cow Value

- Selection of:
- Fertile cows,
 - with low maintenance,
 - that calf easily,
 - and wean heavy calves

- 1 Calving Ease Value EBVs Birth Direct & Maternal
- Calf Growth Value EBV Wean Direct
- 3 Fertility Value EBVs Cow & Heifer Fertility, EBV Longevity
- Milk Value EBV Wean Maternal
- 4 Maintenance Value EBVs Mature weight & Milk



2 L♀ GIX Weaner Calf Value

- Selection of:
- Heavier weaning weights,
 - with more milk,
 - but restricted birth weight



7 L♀ GIX Carcass Value

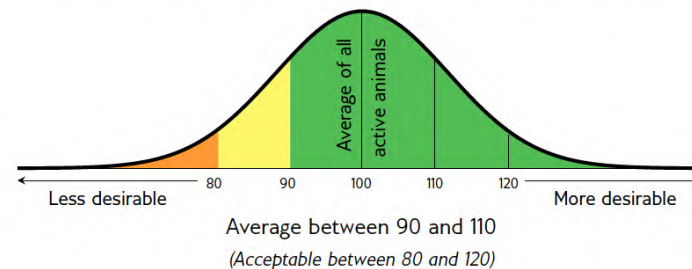
Selection for higher meat yield on carcass



6 L♀ GIX Growth Value

Selection of efficient growers on veld & in the feedlot

INTERPRETATION OF BREEDING VALUE INDICES





EXPLANATION OF BREEDING VALUES AND SELECTION VALUES

Traits	Description/Measurement	Goal	General Guidelines						
			<-80	<-90	90-110	>110	>120		
Selection Values	5 Cow Value	CV	Combination of Calving Ease, Calf Growth, Milk, Maintenance and Fertility Values (Rand-Value)	Profitable Cow	Loss				Profit
	1 Calving Ease Value	CEV	Risk for calving problems (calf too heavy) vs calf too small	Average birth weight	High				Low
	Calf Growth Value	CGrV	Calf's genetic ability for pre-weaning growth	Heavy weaner calf	Light				Heavy
	Milk Value	MkV	Cow's genetic mothering and milking ability	Enough milk for the calf	Less				More
	4 Maintenance Value	MntV	Maintenance requirements of cow (cow weight and milk)	Low cow maintenance	High			*	Low
	3 Fertility Value	FertV	Fertility and retention of cows and heifers	Fertile cows	Low				High
	2 Weaner Calf Value	WnCV	Combination of calf's weight and cow's milk	Heavy weaner calves	Light				Heavy
	6 Growth Value	GV	Efficient growth on veld and in feedlot (Rand-value)	Profitable growth	Loss				Profit
7 Carcass Value	VarcV	Meat on carcass (Weight and RTU EBVs)	More meat on the carcass	Less				More	
Production Value	PV	Combination of Cow- and Growth values (Rand-value)	Profitable animals	Loss				Profit	
Cow & Heifer	8 Birth Weight Direct	BD	Birth weight (Calf's genetic ability)	Average birth weight	Heavy				Light
	Birth Weight Maternal	BM	Birth weight (Cow's genetic ability)	Easy calving	Heavy				Light
	9 Weaning Weight Direct	WD	Weaning weight (Calf's genetic ability)	Heavy weaner calves	Light				Heavy
	10 Weaning Weight Maternal	WM	Weaning weight (Cow's genetic ability)	Good mothers	Poor				Good
	18 Mature Cow Weight	MW	Cow weight at weaning of first three calves	Average mature cow weight	Light		*	*	Heavy
Cow-Calf Birth	CCB	EBV Birth Direct / EBV Mature Cow weight	Average	Low				High	
Cow-Calf Wean	CCW	EBV Wean Direct / EBV Mature Cow weight	High calf-cow ratio	Low				High	
Fertility	12 Heifer Fertility	HF	Age at first calving	Fertile heifers	Less				More
	13 Cow Fertility	CFE	First 3 inter-calving periods (ICPs)	Fertile cows	Less				More
	11 Scrotal Circumference	SC	Scrotal circumference as measured during the growth test	Fertile bulls	Less				More
	14 Longevity	LG	Retention of progeny	Acceptable progeny	Poor				Good
Growth & Frame	15 Post-Wean Weight	PWn	12- and 18 month weights	Good post-wean growth	Low			*	High
	16 Average Daily Gain	ADG	Average daily gain	Good growth	Poor				Good
	17 Feed Conversion Ratio	FCR	100g feed intake / g weight gain	Feed efficiency	Poor				Good
	Final Test Weight	FW	Final weight in the growth test	Heavy carcass	Light			*	Heavy
	19 Height	H	Shoulder / Hip height in growth test	Average height	Short				Tall
	20 Length	L	Length in growth test	Longer for more muscle	Short				Long
24 Length-Height Ratio	LH	EBV Length / EBV Height	Longer rather than tall	<1				>1	
Carcass	21 Eye Muscle Area	EMA	RTU measured eye muscle area	Bigger steaks	Small				Big
	22 Fat Thickness	Fat	RTU measured P8 backfat thickness	Carcass quality	Thin				Thick
	Marbling	Mar	RTU measured % of intra-muscular fat	Juicy meat	Low				High
	Dressing Percentage	D%	Carcass weight / Live weight	High dressing percentage	Low				High

* Determined by own selection goal

GENETIC VALUES - BUILDING BLOCKS

Calf and Mother			Fertility				Post-Wean Growth			Frame			Carcass		
Birth Dir.	Wean Dir.	Wean Mat.	Scrot. Circ.	Heifer Fert.	Cow Fert.	Longev.	Post Wean	ADG	FCR	Mature Weight	Height	Length	EMA	Fat	Mar
99	99	90	97	75	92	85	100	94	93	92	123	110	104	100	79
8	9	10	11	12	13	14	15	16	17	18	19	20	21	22	23

The Logix Selection Values are compiled of specific genetic building blocks, as indicated in the selection value descriptions on the previous page. These genetic building blocks are indicated in the catalogue by their Breeding Value Indices.

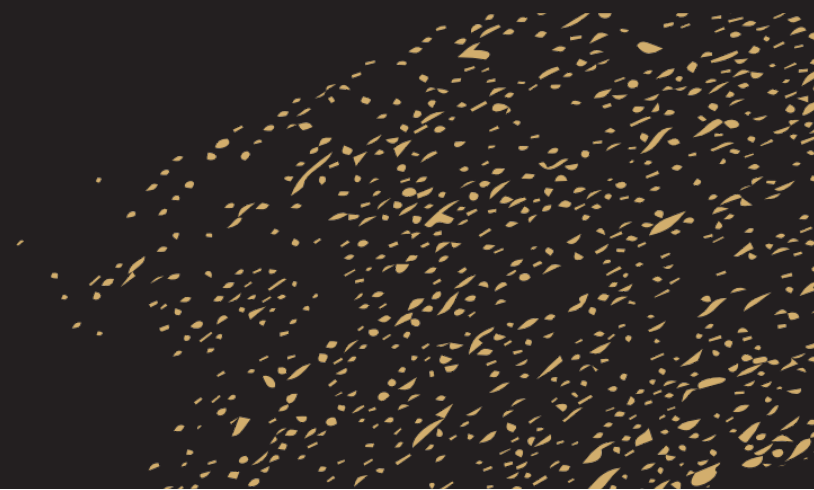
PHENOTYPIC VALUES

Wean Index	365D Index	540D Index	ADG Index	FCR Index	Scrotum	LH
109	104	105	122	117	327	1.22
			16	17	11	24

- Wean, 365D, 540D, ADG and FCR Indices - phenotypic index obtained within the animal's contemporary group
- Scrotum - adjusted scrotal circumference, in mm, as measured during the growth test
- Length-Height Ratio (LH) - the animal's length / height ratio as measured during the growth test



MANLIKE DIERE





LOT 1
CEF210407



LOT 1

P.F. SCHEEPERS



CEF 210407
2021-07-27
SP

Parentage Sire Dam

DNA
Genomic



CEF 180116
AGE/CALV. 6/4
AVG. WJ/CALV. 93/2
ICP 415

TMB 140015

TMB 140426
AGE/CALV. 9/8
AVG. WJ/CALV. 99/8
ICP 366

DAJ 150086 HH(c)

CEF 160019
AGE/CALV. 8/6
AVG. WJ/CALV. 100/6
ICP 382

JL 100600
JL 110015
AGE/CALV. 11/9
AVG. WJ/CALV. 108/8

FCT 080118
MMJ 090073
AGE/CALV. 10/6
AVG. WJ/CALV. 99/5

TOR 070049

DAJ 120094
AGE/CALV. 8/5
AVG. WJ/CALV. 105/5

CEF 130317 HH(c)

CEF 120125
AGE/CALV. 11/9
AVG. WJ/CALV. 97/9

Calving Ease Value 115	Weaner Calf Value 90	Fertility Value 115	Maintenance Value 100	Cow Value 104	Growth Value 93	Carcass Value 95
---	---------------------------------------	--------------------------------------	--	--------------------------------	----------------------------------	-----------------------------------

Calf and Mother			Fertility				Post-Wean Growth			Frame			Carcass		
Birth Dir.	Wean Dir.	Wean Mat.	Scr. Circ.	Heifer Fert.	Cow Fert.	Longev.	Post Wean	ADG	FCR	Mature Weight	Height	Length	EMA	Fat	Mar
113	89	96	88	113	108	111	90	96	106	98	83	84	86	113	113

Wean Index	365D Index	540D Index	ADG Index	FCR Index	Scrotum	LH
93	-	-	95	-	353	1.20

Myostatin	
Q204X	0
NT821	0
F94L	0

REMARKS: Kalfgemak vir verse

LOGIX EBV Analysis: 2024-06-19

KLIK VIR VIDEO



LOT 2
CEF210443

LOT 2

P.F. SCHEEPERS



CEP 210443
2021-08-15
SP

Parentage Sire Dam

DNA
Genomic



CEP 170060
AGE/CALV. 7/4
AVG. Wt/CALV. 101/4
ICP 421

TMB 140015

TMB 140426
AGE/CALV. 9/8
AVG. Wt/CALV. 99/8
ICP 366

CEP 130317 HH(c)

CEP 120158
AGE/CALV. 11/10
AVG. Wt/CALV. 92/9
ICP 367

JL 100600

JL 110015
AGE/CALV. 11/9
AVG. Wt/CALV. 108/8

FCT 080118

MMJ 090073
AGE/CALV. 10/6
AVG. Wt/CALV. 99/5

CEP 110301 HH(c)

CEP 100161
AGE/CALV. 13/9
AVG. Wt/CALV. 103/7

NPT 070170

CEP 020059
AGE/CALV. 12/10
AVG. Wt/CALV. 104/8

Calving Ease
Value
106

Weaner Calf
Value
110

Fertility
Value
105

Maintenance
Value
93

Cow Value
109

Growth
Value
109

Carcass
Value
121

Calf and Mother			Fertility				Post-Wean Growth			Frame			Carcass		
Birth Dir.	Wean Dir.	Wean Mat.	Scr. Circ.	Heifer Fert.	Cow Fert.	Longev.	Post Wean	ADG	FCR	Mature Weight	Height	Length	EMA	Fat	Mar
101	113	88	89	95	108	114	114	117	120	107	101	107	110	123	136
Wean Index	365D Index	540D Index	ADG Index	FCR Index	Scrotum	LH									
105	-	-	106	-	330	1.19									

Myostatin	
Q204X	0
NT821	0
F94L	0

REMARKS: Kalfgemak vir verse

LOGIX EBV Analysis: 2024-06-19

KLIK VIR VIDEO



LOT 3
CEF210440



LOT 3

P.F. SCHEEPERS

CE 210440
2021-08-14
SP

Parentage Sire Dam

DNA
Genomic

CEF 170516

CEF 160218
AGE/CALV. 7/5
AVG. WJ/CALV. 106/5
ICP 362

- CEF 150315
 - ☛ CEF 100304 HH(c)
 - CEF 050121
AGE/CALV. 12/10
AVG. WJ/CALV. 99/10
 - GCD 090102
 - CEF 070226
AGE/CALV. 7/4
AVG. WJ/CALV. 99/4
 - SYF 070036
 - ADV 100068
 - ADV 070142
AGE/CALV. 5/3
AVG. WJ/CALV. 98/3
 - CEF 040431
 - CEF 990078
AGE/CALV. 12/10
AVG. WJ/CALV. 101/8
 - CEF 130127
AGE/CALV. 10/7
AVG. WJ/CALV. 99/6
ICP 455
 - ADV 070208
AGE/CALV. 11/8
AVG. WJ/CALV. 104/8
ICP 383

Calving Ease Value 90	Weaner Calf Value 117	Fertility Value 91	Maintenance Value 92	Cow Value 101	Growth Value 132	Carcass Value 123
---------------------------------	---------------------------------	------------------------------	--------------------------------	-------------------------	----------------------------	-----------------------------

Calf and Mother			Fertility				Post-Wean Growth			Frame			Carcass		
Birth Dir.	Wean Dir.	Wean Mat.	Scr. Circ.	Heifer Fert.	Cow Fert.	Longev.	Post Wean	ADG	FCR	Mature Weight	Height	Length	EMA	Fat	Mar
83	123	92	91	82	104	102	126	122	115	108	111	121	111	80	112

Wean Index	365D Index	540D Index	ADG Index	FCR Index	Scrotum	LH
105	-	-	146	-	312	1.26

Myostatin	
Q204X	0
NT821	0
F94L	0

REMARKS: Speenkalf - Maternaal

LOGIX EBV Analysis: 2024-06-19

KLIK VIR VIDEO



LOT 4
CEF210547

LOT 4

P.F. SCHEEPERS



CEF 210547
2021-09-28
SP

Ouerskap Vaar Moer

DNS
Genomies

CEF 180520



CEF 180079
OUD/KALW. 5/3
GEM. SI/KALW. 99/3
TKP 402

CEF 160490

VV 140512
OUD/KALW. 9/7
GEM. SI/KALW. 107/7
TKP 415

CEF 120159
OUD/KALW. 11/8
GEM. SI/KALW. 104/8
TKP 383

CEF 100304 HH(c)

CEF 060200
OUD/KALW. 12/8
GEM. SI/KALW. 110/8

VV 110238

VV 080343
OUD/KALW. 9/5
GEM. SI/KALW. 101/5

GJN 100238

CEF 110046
OUD/KALW. 13/10
GEM. SI/KALW. 105/10

CEF 100330

CEF 090180
OUD/KALW. 9/7
GEM. SI/KALW. 101/7

Geboortegemak
Waarde
109

Speenkalf
Waarde
120

Vrugbaarheids-
waarde
102

Onderhouds-
waarde
109

Koeiwaarde
120

Groei-
waarde
107

Karkas-
waarde
116

Kalf en Moeder			Vrugbaarheid				Na-Speen Groei			Raam		Karkas			
Geb. Dir.	Spn. Dir.	Spn. Mat.	Skr. Omtr.	Vers Vrugb.	Koei Vrugb.	Lankl.	Na-Speen	GDT	VOV	Volw. Gewig	Hoogte	Lengte	OSO	Vet	Mar
103	104	116	87	107	87	117	104	112	119	91	93	101	131	117	95

Spn. Indeks	365D Indeks	540D Indeks	GDT Indeks	VOV Indeks	Skrotum	LH
95	-	-	96	-	353	1.19

Miestatien	
Q204X	0
NT821	0
F94L	0

OPMERKINGS: Kalfgemak vir verse

LOGIX EBV Analise: 2024-06-19

KLIK VIR VIDEO



LOT 5
CEF210431

LOT 5

P.F. SCHEEPERS



CEF 210431
2021-08-09
SP

Ouerskap Vaar Moer
DNS
Genomies



CEF 170249
OUD/KALW. 6/4
GEM. SI/KALW. 106/3
TKP 428

- TMB 140015 — JL 100600
OUD/KALW. 11/9
GEM. SI/KALW. 108/8
- TMB 140426 — FCT 080118
OUD/KALW. 9/8
GEM. SI/KALW. 99/8
TKP 366
- MMJ 090073
OUD/KALW. 10/6
GEM. SI/KALW. 99/5
- CEF 110446
- CEF 130437
- CEF 110061
OUD/KALW. 6/1
GEM. SI/KALW. 110/1
- NPT 070170
- CEF 060082
OUD/KALW. 9/5
GEM. SI/KALW. 98/5
- CEF 120027
OUD/KALW. 9/7
GEM. SI/KALW. 93/7
TKP 359

Geboortegemak Waarde 90	Speenkalf Waarde 115	Vrugbaarheids- waarde 114	Onderhouds- waarde 82	Koeiwaarde 114	Groei- waarde 116	Karkas- waarde 121
--------------------------------------	-----------------------------------	--	------------------------------------	--------------------------	--------------------------------	---------------------------------

Kalf en Moeder			Vrugbaarheid				Na-Speen Groei			Raam		Karkas			
Geb. Dir.	Spn. Dir.	Spn. Mat.	Skr. Omtr.	Vers Vrugb.	Koei Vrugb.	Lankl.	Na-Speen	GDT	VOV	Volw. Gewig	Hoogte	Lengte	OSO	Vet	Mar
89	122	99	89	110	110	108	121	122	122	121	109	112	104	101	124

Spn. Indeks	365D Indeks	540D Indeks	GDT Indeks	VOV Indeks	Skrotum	LH
104	-	-	104	-	321	1.21

Miostation	
Q204X	0
NT821	0
F94L	0

OPMERKINGS:

LOGIX EBV Analyse: 2024-06-19

KLIK VIR VIDEO



LOT 6
CEF210427

LOT 6

P.F. SCHEEPERS



CEF 210427
2021-08-09
SP

Ouerskap Vaar Moer

DNS
Genomies

CEF 180520



CEF 180173
OUD/KALW. 5/4
GEM. SI/KALW. 106/2
TKP 375

CEF 160490

VV 140512
OUD/KALW. 9/7
GEM. SI/KALW. 107/7
TKP 415

CEF 090017
OUD/KALW. 11/7
GEM. SI/KALW. 106/7
TKP 424

☞ CEF 100304 HH(c)

CEF 060200
OUD/KALW. 12/8
GEM. SI/KALW. 110/8

☞ VV 110238

VV 080343
OUD/KALW. 9/5
GEM. SI/KALW. 101/5

LAR 090281

☞ LAR 140064 HH(c)

☞ LAR 110039 HH(c)
OUD/KALW. 11/8
GEM. SI/KALW. 107/8

CEF 060391

CEF 060122
OUD/KALW. 5/1
GEM. SI/KALW. 103/1

Geboortegemak Waarde 87	Speenkalf Waarde 117	Vrugbaarheids-waarde 113	Onderhouds-waarde 78	Koeiwaarde 115	Groei-waarde 113	Karkas-waarde 121
--	---------------------------------------	---	---------------------------------------	---------------------------------	-----------------------------------	------------------------------------

Kalf en Moeder			Vrugbaarheid				Na-Speen Groei			Raam		Karkas			
Geb. Dir.	Spn. Dir.	Spn. Mat.	Skr. Omtr.	Vers Vrugb.	Koei Vrugb.	Lankl.	Na-Speen	GDT	VOV	Volw. Gewig	Hoogte	Lengte	OSO	Vet	Mar
86	120	111	108	106	110	116	118	121	124	126	117	117	136	123	75

Spn. Indeks	365D Indeks	540D Indeks	GDT Indeks	VOV Indeks	Skrotum	LH
108	-	-	90	-	383	1.20

Miostatien	
Q204X	0
NT821	0
F94L	0

OPMERKINGS:

LOGIX EBV Analise: 2024-06-19

KLIK VIR VIDEO



LOT 7
CEF210475



LOT 7
P.F. SCHEEPERS

CE 210475
2021-08-26
SP

Parentage Sire Dam

DNA
Genomic



CE 170545

CE 120120
AGE/CALV. 10/8
AVG. Wt/CALV. 110/7
ICP 393

CE 130548 HH(c) — GJN 100238

CE 100170 — CEF 110046
AGE/CALV. 13/10
AVG. Wt/CALV. 105/10

CE 090323 — CEF 080338

CE 090089 — CEF 070013
AGE/CALV. 12/10
AVG. Wt/CALV. 100/10

CE 050168 — CEF 060391

CE 090089 — CEF 060170
AGE/CALV. 10/5
AVG. Wt/CALV. 111/4

CE 050168 — CEF 060478

CE 090089 — CEF 050168
AGE/CALV. 7/5
AVG. Wt/CALV. 78/3
ICP 423

Calving Ease Value 105	Weaner Calf Value 124	Fertility Value 122	Maintenance Value 93	Cow Value 131	Growth Value 133	Carcass Value 133										
Calf and Mother			Fertility				Post-Wean Growth			Frame			Carcass			
Birth Dir.	Wean Dir.	Wean Mat.	Scr. Circ.	Heifer Fert.	Cow Fert.	Longev.	Post Wean	ADG	FCR	Mature Weight	Height	Length	EMA	Fat	Mar	
104	119	103	97	127	108	106	131	137	130	106	137	131	123	120	113	
Wean Index		365D Index	540D Index	ADG Index	FCR Index	Scrotum	LH									
96		-	-	135	-	320	1.15									
														Myostatin		
														Q204X	0	
														NT821	0	
														F94L	0	

REMARKS: Kalfgemak vir verse

LOGIX EBV Analysis: 2024-06-19

KLIK VIR VIDEO



LOT 8
CEF210432

LOT 8 P.F. SCHEEPERS



CEP 210432
2021-08-10
SP

Parentage Sire Dam

DNA
Genomic



CEP 170240
AGE/CALV. 6/4
AVG. WU/CALV. 109/4
ICP 408

- TMB 140015 — JL 100600
AGE/CALV. 11/9
AVG. WU/CALV. 108/8
- TMB 140426 — FCT 080118
AGE/CALV. 9/8
AVG. WU/CALV. 99/8
ICP 366
- CEP 130317 HH(c) — MMJ 090073
AGE/CALV. 10/6
AVG. WU/CALV. 99/5
- CEP 090230 HH(c) — CEP 110301 HH(c)
AGE/CALV. 11/9
AVG. WU/CALV. 103/7
- CEP 040143 — LAR 050023
AGE/CALV. 12/7
AVG. WU/CALV. 108/6

Calving Ease Value 95	Weaner Calf Value 120	Fertility Value 106	Maintenance Value 78	Cow Value 113	Growth Value 108	Carcass Value 120
---------------------------------	---------------------------------	-------------------------------	--------------------------------	-------------------------	----------------------------	-----------------------------

Calf and Mother			Fertility				Post-Wean Growth			Frame			Carcass		
Birth Dir.	Wean Dir.	Wean Mat.	Scr. Circ.	Heifer Fert.	Cow Fert.	Longev.	Post Wean	ADG	FCR	Mature Weight	Height	Length	EMA	Fat	Mar
90	125	98	105	97	108	113	117	110	111	126	122	123	118	95	133

Wean Index 112	365D Index -	540D Index -	ADG Index 90	FCR Index -	Scrotum 332	LH 1.20
--------------------------	-----------------	-----------------	------------------------	----------------	-----------------------	-------------------

Myostatin	
Q204X	0
NT821	0
F94L	0

REMARKS:

LOGIX EBV Analysis: 2024-06-19

KLIK VIR VIDEO



LOT 9
CEF210434



LOT 9

P.F. SCHEEPERS

CE 210434
2021-08-12
SP

Parentage Sire Dam

DNA
Genomic

CEF 170516

CEF 120449
AGE/CALV. 11/8
AVG. W1/CALV. 96/9
ICP 387

- CEF 150315
- CEF 130127
AGE/CALV. 10/7
AVG. W1/CALV. 99/6
ICP 455
- NPT 070170
- CEF 020218
AGE/CALV. 11/7
AVG. W1/CALV. 91/8
ICP 453
- CEF 100304 HH(c)
- CEF 050121
AGE/CALV. 12/10
AVG. W1/CALV. 99/10
- GCD 090102
- CEF 070226
AGE/CALV. 7/4
AVG. W1/CALV. 99/4
- NPT 040187
- NPT 050053
AGE/CALV. 7/4
AVG. W1/CALV. 109/4
- RCO 930139
- CEF 950024
AGE/CALV. 16/14
AVG. W1/CALV. 100/14

Calving Ease Value 97	Weaner Calf Value 98	Fertility Value 105	Maintenance Value 89	Cow Value 97	Growth Value 114	Carcass Value 113
---------------------------------	--------------------------------	-------------------------------	--------------------------------	------------------------	----------------------------	-----------------------------

Calf and Mother			Fertility				Post-Wean Growth			Frame			Carcass		
Birth Dir.	Wean Dir.	Wean Mat.	Scr. Circ.	Heifer Fert.	Cow Fert.	Longev.	Post Wean	ADG	FCR	Mature Weight	Height	Length	EMA	Fat	Mar
95	112	77	116	92	117	105	115	117	110	112	89	109	114	76	130

Wean Index	365D Index	540D Index	ADG Index	FCR Index	Scrotum	LH
102	-	-	114	-	402	1.26

Myostatin	
Q204X	0
NT821	0
F94L	0

REMARKS:

LOGIX EBV Analysis: 2024-06-19

KLIK VIR VIDEO



LOT 10
CEF210402

LOT 10 P.F. SCHEEPERS



CEF 210402
2021-07-24
SP

Ouerskap Vaar Moer
DNS
Genomies



CEF 150219
OUD/KALW. 8/6
GEM. SI/KALW. 101/6
TKP 398

- TMB 140015 — JL 100600
- TMB 140426 — JL 110015
OUD/KALW. 11/9
GEM. SI/KALW. 108/8
- CEF 100418 — FCT 080118
- CEF 090017 — MMJ 090073
OUD/KALW. 10/6
GEM. SI/KALW. 99/5
- CEF 060391 — CEF 080460
- CEF 060122 — CEF 080018
OUD/KALW. 7/4
GEM. SI/KALW. 92/4
- TKP 424 — CEF 060391
- TKP 398 — CEF 060122
OUD/KALW. 5/1
GEM. SI/KALW. 103/1

Geboortegemak Waarde 113	Speenkalf Waarde 100	Vrugbaarheids- waarde 123	Onderhouds- waarde 86	Koeiwaarde 116	Groei- waarde 98	Karkas- waarde 105
---------------------------------------	-----------------------------------	--	------------------------------------	--------------------------	-------------------------------	---------------------------------

Kalf en Moeder			Vrugbaarheid				Na-Speen Groei			Raam		Karkas			
Geb. Dir.	Spn. Dir.	Spn. Mat.	Skr. Omtr.	Vers Vrugb.	Koei Vrugb.	Lankl.	Na-Speen	GDT	VOV	Volw. Gewig	Hoogte	Lengte	OSO	Vet	Mar
113	99	106	86	113	115	126	103	102	107	114	95	102	111	81	106

Spn. Indeks	365D Indeks	540D Indeks	GDT Indeks	VOV Indeks	Skrotum	LH
92	-	-	96	-	345	1.22

Miostatien	
Q204X	1
NT821	0
F94L	0

OPMERKINGS: Moeder Elite Brons

LOGIX EBV Analise: 2024-06-19

KLIK VIR VIDEO



LOT 11
CEF210489



LOT 11

P.F. SCHEEPERS

CEF 210489
2021-08-31
SP

Ouerskap Vaar Moer

DNS

Genomies

CEF 170445

CEF 140197
OUD/KALW. 9/7
GEM. SI/KALW. 98/7
TKP 392

CEF 130548 HH(c)

CEF 120040
OUD/KALW. 12/9
GEM. SI/KALW. 98/8
TKP 388

CEF 110301 HH(c)

CEF 040188
OUD/KALW. 10/8
GEM. SI/KALW. 94/8
TKP 387

GJN 100238

CEF 110046
OUD/KALW. 13/10
GEM. SI/KALW. 105/10

CEF 080426

CEF 080177
OUD/KALW. 7/4
GEM. SI/KALW. 102/4

CEF 080338

CEF 080218
OUD/KALW. 9/6
GEM. SI/KALW. 103/6

CEF 990259

COM 960051
OUD/KALW. 11/7
GEM. SI/KALW. 99/7

Geboortegemak Waarde 113	Speenkalf Waarde 113	Vrugbaarheids- waarde 112	Onderhouds- waarde 100	Koeiwaarde 118	Groei- waarde 98	Karkas- waarde 105
---------------------------------------	-----------------------------------	--	-------------------------------------	--------------------------	-------------------------------	---------------------------------

Kalf en Moeder			Vrugbaarheid				Na-Speen Groei			Raam		Karkas			
Geb. Dir.	Spn. Dir.	Spn. Mat.	Skr. Omtr.	Vers Vrugb.	Koei Vrugb.	Lankl.	Na-Speen	GDT	VOV	Volw. Gewig	Hoogte	Lengte	OSO	Vet	Mar
110	113	87	74	122	95	103	114	109	112	99	94	104	139	77	70

Spn. Indeks	365D Indeks	540D Indeks	GDT Indeks	VOV Indeks	Skrotum	LH
102	-	-	96	-	307	1.21

Miostatien	
Q204X	1
NT821	0
F94L	0

OPMERKINGS: Speenkalf bul

LOGIX
EBV Analyse: 2024-06-19

KLIK VIR VIDEO



LOT 12
CEF220357

LOT 12

P.F. SCHEEPERS



CEF 220357
2022-03-20
SP

Ouerskap Vaar Moer

DNS
Genomies

CEF 190514



CEF 190265
OUD/KALW. 4/2
GEM. SI/KALW. 101/2
TKP 391

☞ CEF 130317 HH(c)

CEF 130181
OUD/KALW. 10/8
GEM. SI/KALW. 106/7
TKP 381

CEF 170444

CEF 170207
OUD/KALW. 6/4
GEM. SI/KALW. 99/4
TKP 486

☞ CEF 110301 HH(c)

CEF 100161
OUD/KALW. 13/9
GEM. SI/KALW. 103/7

☞ HJB 040251

CEF 090059
OUD/KALW. 6/4
GEM. SI/KALW. 102/4

CEF 130437

CEF 080142
OUD/KALW. 15/11
GEM. SI/KALW. 95/12

CEF 150515

CEF 140011
OUD/KALW. 10/8
GEM. SI/KALW. 105/8

Geboortegemak Waarde 129	Speenkalf Waarde 102	Vrugbaarheids-waarde 112	Onderhouds-waarde 93	Koeiwaarde 113	Groei-waarde 128	Karkas-waarde 119
------------------------------------	--------------------------------	------------------------------------	--------------------------------	--------------------------	----------------------------	-----------------------------

Kalf en Moeder			Vrugbaarheid				Na-Speen Groei			Raam		Karkas			
Geb. Dir.	Spn. Dir.	Spn. Mat.	Skr. Omtr.	Vers Vrugb.	Koei Vrugb.	Lankl.	Na-Speen	GDT	VOV	Volw. Gewig	Hoogte	Lengte	OSO	Vet	Mar
129	100	87	121	113	107	106	113	123	113	107	91	107	111	93	110

Spn. Indeks	365D Indeks	540D Indeks	GDT Indeks	VOV Indeks	Skrotum	LH
105	-	-	110	-	385	1.25

Miestatien	
Q204X	0
NT821	0
F94L	0

OPMERKINGS: Kalfgemak vir verse - uitstekende balans

LOGIX EBV Analise: 2024-06-19

KLIK VIR VIDEO



LOT 14
CEF220404

LOT 14

P.F. SCHEEPERS



CEF 220404
2022-04-24
SP

Parentage Sire Dam

DNA
Genomic

CEF 180480



CEF 160174
AGE/CALV. 7/6
AVG. W1/CALV. 107/5
ICP 364

☞ CEF 130317 HH(c)

CEF 130161
AGE/CALV. 6/4
AVG. W1/CALV. 128/2
ICP 412

ADV 100068

CEF 080221
AGE/CALV. 9/7
AVG. W1/CALV. 91/7
ICP 397

☞ CEF 110301 HH(c)

CEF 100161
AGE/CALV. 13/9
AVG. W1/CALV. 103/7

☞ HWB 080171

CEF 100096
AGE/CALV. 4/2
AVG. W1/CALV. 107/2

SYF 070036

ADV 070142
AGE/CALV. 5/3
AVG. W1/CALV. 98/3

CEF 030447

CEF 040048
AGE/CALV. 10/8
AVG. W1/CALV. 91/7

Calving Ease Value
85

Weaner Calf Value
131

Fertility Value
115

Maintenance Value
75

Cow Value
122

Growth Value
122

Carcass Value
136

Calf and Mother			Fertility				Post-Wean Growth			Frame			Carcass		
Birth Dir.	Wean Dir.	Wean Mat.	Scr. Circ.	Heifer Fert.	Cow Fert.	Longev.	Post Wean	ADG	FCR	Mature Weight	Height	Length	EMA	Fat	Mar
83	142	88	126	105	120	105	139	124	121	131	106	122	127	112	145
Wean Index	365D Index	540D Index	ADG Index	FCR Index	Scrotum	LH									
119	-	-	93	-	370	1.22									

Myostatin	
Q204X	1
NT821	0
F94L	0

REMARKS:

LOGIX EBV Analysis: 2024-06-19

KLIK VIR VIDEO



LOT 15

CEF220315



LOT 15

P.F. SCHEEPERS

CEF 220315
 2022-02-27
 SP
 Parentage Sire Dam
 DNA
 Genomic

MBT 180199

CEF 170250
 AGE/CALV. 6/4
 AVG. WJ/CALV. 109/4
 ICP 374

CRV 110235

MBT 150048
 AGE/CALV. 9/6
 AVG. WJ/CALV. 95/6
 ICP 367

CEF 130548 HH(c)

CEF 120065
 AGE/CALV. 12/9
 AVG. WJ/CALV. 108/10
 ICP 365

BHE 030083

BPJ 070061
 AGE/CALV. 4/2
 AVG. WJ/CALV. 101/2

MBT 070144

MBT 090059
 AGE/CALV. 8/5
 AVG. WJ/CALV. 103/3

GJN 100238

CEF 110046
 AGE/CALV. 13/10
 AVG. WJ/CALV. 105/10

AG 070433

CEF 080099
 AGE/CALV. 7/4
 AVG. WJ/CALV. 94/4

Calving Ease Value 106	Weaner Calf Value 131	Fertility Value 119	Maintenance Value 87	Cow Value 134	Growth Value 133	Carcass Value 131
----------------------------------	---------------------------------	-------------------------------	--------------------------------	-------------------------	----------------------------	-----------------------------

Calf and Mother			Fertility				Post-Wean Growth			Frame			Carcass		
Birth Dir.	Wean Dir.	Wean Mat.	Scr. Circ.	Heifer Fert.	Cow Fert.	Longev.	Post Wean	ADG	FCR	Mature Weight	Height	Length	EMA	Fat	Mar
103	123	111	146	120	108	107	130	131	124	112	124	133	126	79	110

Wean Index 107	365D Index -	540D Index -	ADG Index 125	FCR Index -	Scrotum 396	LH 1.20
--------------------------	-----------------	-----------------	-------------------------	----------------	-----------------------	-------------------

Myostatin	
Q204X	0
NT821	0
F94L	0

REMARKS: Kalfgemak vir verse

LOGIX EBV Analysis: 2024-06-19

KLIK VIR VIDEO



LOT 16
CEF220384

LOT 16

P.F. SCHEEPERS



CEF 220384
2022-04-09
SP

Ouerskap Vaar Moer

DNS	✓	✓
Genomies		

CEF 190496



CEF 190216
OUD/KALW. 4/2
GEM. SI/KALW. 98/2
TKP 505

CEF 130317 HH(c)

CEF 100036 HH(c)

VV 160414

CEF 170095
OUD/KALW. 7/5
GEM. SI/KALW. 102/5
TKP 358

CEF 110301 HH(c)

CEF 100161
OUD/KALW. 13/9
GEM. SI/KALW. 103/7

GCD 030148

CEF 020206
OUD/KALW. 13/11
GEM. SI/KALW. 98/11

VV 130022

VV 140049
OUD/KALW. 5/3
GEM. SI/KALW. 107/3

CEF 130317 HH(c)

CEF 090100
OUD/KALW. 12/8
GEM. SI/KALW. 96/7

Geboortegemak Waarde 119	Speenkalf Waarde 92	Vrugbaarheids- waarde 109	Onderhouds- waarde 96	Koeiwaarde 101	Groei- waarde 117	Karkas- waarde 109
---------------------------------------	----------------------------------	--	------------------------------------	--------------------------	--------------------------------	---------------------------------

Kalf en Moeder			Vrugbaarheid				Na-Speen Groei			Raam		Karkas			
Geb. Dir.	Spn. Dir.	Spn. Mat.	Skr. Omtr.	Vers Vrugb.	Koei Vrugb.	Lankl.	Na-Speen	GDT	VOV	Volw. Gewig	Hoogte	Lengte	OSO	Vet	Mar
117	94	86	108	102	106	114	103	108	97	103	82	97	105	114	145

Spn. Indeks	365D Indeks	540D Indeks	GDT Indeks	VOV Indeks	Skrotum	LH
96	-	-	107	-	370	1.24

Miestatien	
Q204X	0
NT821	0
F94L	0

OPMERKINGS: Kalfgemak vir verse

LOGIX EBV Analise: 2024-06-19

KLIK VIR VIDEO



LOT 18
CEF220303

LOT 18

P.F. SCHEEPERS



CEF 220303
2022-02-20
SP

Ouerskap Vaar Moer

DNS
Genomies

AG 170081



CEF 190167
OUD/KALW. 4/2
GEM. SI/KALW. 98/2
TKP 373

- AG 130024 HH(c)
 - AG 090751
 - HJB 030230
OUD/KALW. 14/9
GEM. SI/KALW. 99/8
 - FCT 060109
 - AG 070402
OUD/KALW. 14/10
GEM. SI/KALW. 108/10
 - CEF 100304 HH(c)
 - CEF 050121
OUD/KALW. 12/10
GEM. SI/KALW. 99/10
 - RCO 070009
 - CEF 100110
OUD/KALW. 9/8
GEM. SI/KALW. 108/7
 - AG 090133
OUD/KALW. 14/13
GEM. SI/KALW. 107/12
TKP 377
 - CEF 150315
 - CEF 140062
OUD/KALW. 6/4
GEM. SI/KALW. 97/4
TKP 367

Geboortegemak Waarde 106	Speenkalf Waarde 105	Vrugbaarheids-waarde 104	Onderhouds-waarde 120	Koeiwaarde 108	Groei-waarde 128	Karkas-waarde 124
------------------------------------	--------------------------------	------------------------------------	---------------------------------	--------------------------	----------------------------	-----------------------------

Kalf en Moeder			Vrugbaarheid				Na-Speen Groei			Raam		Karkas			
Geb. Dir.	Spn. Dir.	Spn. Mat.	Skr. Omtr.	Vers Vrugb.	Koei Vrugb.	Lankl.	Na-Speen	GDT	VOV	Volw. Gewig	Hoogte	Lengte	OSO	Vet	Mar
105	104	83	89	100	103	110	110	116	106	83	97	103	121	147	117

Spn. Indeks	365D Indeks	540D Indeks	GDT Indeks	VOV Indeks	Skrotum	LH
94	-	-	132	-	340	1.23

Miostatien	
Q204X	0
NT821	0
F94L	0

OPMERKINGS: Kalfgemak vir verse

LOGIX EBV Analise: 2024-06-19

KLIK VIR VIDEO



LOT 20
CEF220372

LOT 20 P.F. SCHEEPERS



CEP 220372
2022-03-29
B

Parentage Sire Dam

DNA
Genomic

MBT 180199



CEP 140236
AGE/CALV. 9/8
AVG. Wt/CALV. 102/7
ICP 366

CRV 110235

MBT 150048
AGE/CALV. 9/6
AVG. Wt/CALV. 95/6
ICP 367

CEF 110301 HH(c)

CEP 060035
AGE/CALV. 12/10
AVG. Wt/CALV. 103/9
ICP 370

BHE 030083

BPJ 070061
AGE/CALV. 4/2
AVG. Wt/CALV. 101/2

MBT 070144

MBT 090059
AGE/CALV. 8/5
AVG. Wt/CALV. 103/3

CEP 080338

CEP 080218
AGE/CALV. 9/6
AVG. Wt/CALV. 103/6

Calving Ease Value
106

Weaner Calf Value
111

Fertility Value
109

Maintenance Value
96

Cow Value
114

Growth Value
122

Carcass Value
118

Calf and Mother			Fertility				Post-Wean Growth			Frame			Carcass		
Birth Dir.	Wean Dir.	Wean Mat.	Scr. Circ.	Heifer Fert.	Cow Fert.	Longev.	Post Wean	ADG	FCR	Mature Weight	Height	Length	EMA	Fat	Mar
105	110	99	145	109	101	109	114	121	115	103	114	124	118	85	108
Wean Index	365D Index	540D Index	ADG Index	FCR Index	Scrotum	LH									
97	-	-	112	-	391	1.24									

Myostatin	
Q204X	0
NT821	0
F94L	0

REMARKS: Moeder Elite Goud, Kalfgemak vir verse - Top moederlyn

LOGIX EBV Analysis: 2024-06-19

KLIK VIR VIDEO



LOT 21
CEF220410

LOT 21

P.F. SCHEEPERS


CEF 220410
 2022-04-30
 SP
 Parentage Sire Dam
 DNA
 Genomic

CEF 180480


CEF 160212
 AGE/CALV. 7/5
 AVG. Wt/CALV. 108/5
 ICP 368

- CEF 130317 HH(c)
 - CEF 100161
 AGE/CALV. 13/9
 AVG. Wt/CALV. 103/7
 - CEF 130161
 AGE/CALV. 6/4
 AVG. Wt/CALV. 128/2
 ICP 412
 - CEF 100096
 AGE/CALV. 4/2
 AVG. Wt/CALV. 107/2
 - CEF 080025
 - CEF 070151
 AGE/CALV. 15/13
 AVG. Wt/CALV. 101/2
 - CEF 060349
 - CEF 040174
 AGE/CALV. 17/14
 AVG. Wt/CALV. 103/13
- CEF 110301 HH(c)
 - CEF 100096
 AGE/CALV. 4/2
 AVG. Wt/CALV. 107/2
 - CEF 080025
 - CEF 070151
 AGE/CALV. 15/13
 AVG. Wt/CALV. 101/2
 - CEF 060349
 - CEF 040174
 AGE/CALV. 17/14
 AVG. Wt/CALV. 103/13
- HWB 080171
 - CEF 070151
 AGE/CALV. 15/13
 AVG. Wt/CALV. 101/2
 - CEF 060349
 - CEF 040174
 AGE/CALV. 17/14
 AVG. Wt/CALV. 103/13
- CEF 100304 HH(c)
 - CEF 070151
 AGE/CALV. 15/13
 AVG. Wt/CALV. 101/2
 - CEF 060349
 - CEF 040174
 AGE/CALV. 17/14
 AVG. Wt/CALV. 103/13
- CEF 090039
 AGE/CALV. 14/12
 AVG. Wt/CALV. 113/9
 ICP 372

Calving Ease Value 87	Weaner Calf Value 134	Fertility Value 107	Maintenance Value 64	Cow Value 118	Growth Value 139	Carcass Value 143
---------------------------------	---------------------------------	-------------------------------	--------------------------------	-------------------------	----------------------------	-----------------------------

Calf and Mother			Fertility				Post-Wean Growth			Frame			Carcass		
Birth Dir.	Wean Dir.	Wean Mat.	Scr. Circ.	Heifer Fert.	Cow Fert.	Longev.	Post Wean	ADG	FCR	Mature Weight	Height	Length	EMA	Fat	Mar
85	138	104	119	100	112	104	138	137	124	148	115	133	151	91	145

Wean Index	365D Index	540D Index	ADG Index	FCR Index	Scrotum	LH
109	-	-	108	-	367	1.23

Myostatin	
Q204X	0
NT821	0
F94L	0

REMARKS: Moeder Elite Brons, Karkas, Groeiwaarde en uitstaande moederlyne

LOGIX EBV Analysis: 2024-06-19

KLIK VIR VIDEO



LOT 22
CEF210496

LOT 22 P.F. SCHEEPERS

CE 210496
2021-09-02
SP

Ouerskap Vaar Moer

DNS
Genomies

CEF 170445

CEF 140021
OUD/KALW. 9/7
GEM. SI/KALW. 98/7
TKP 362

- CEF 130548 HH(c)
- CEF 120040
OUD/KALW. 12/9
GEM. SI/KALW. 98/8
TKP 388
- AG 100194
- CEF 060042
OUD/KALW. 13/9
GEM. SI/KALW. 96/8
TKP 398
- GJN 100238
- CEF 110046
OUD/KALW. 13/10
GEM. SI/KALW. 105/10
- CEF 080426
- CEF 080177
OUD/KALW. 7/4
GEM. SI/KALW. 102/4
- WBB 070012
- AG 070326
OUD/KALW. 12/9
GEM. SI/KALW. 98/9
- CEF 030416
- CEF 020042
OUD/KALW. 6/4
GEM. SI/KALW. 84/3

Geboortegemak Waarde 111	Speenkalf Waarde 99	Vrugbaarheids-waarde 116	Onderhouds-waarde 102	Koeiwaarde 110	Groei-waarde 92	Karkas-waarde 88										
Kalf en Moeder		Vrugbaarheid		Na-Speen Groei		Raam	Karkas									
Geb. Dir.	Spn. Dir.	Spn. Mat.	Skr. Omtr.	Vers Vrugb.	Koei Vrugb.	Lankl.	Na-Speen	GDT	VOV	Volw. Gewig	Hoogte	Lengte	OSO	Vet	Mar	
111	102	85	81	118	103	110	101	98	111	97	96	90	102	67	98	
Spn. Indeks		365D Indeks	540D Indeks	GDT Indeks	VOV Indeks	Skrotum	LH	Miostatien								
93		-	-	90	-	326	1.16	Q204X	0	NT821	0	F94L	0			

OPMERKINGS: Kalfgemak vir verse

LOGIX EBV Analise: 2024-06-19

KLIK VIR VIDEO



LOT 23
CEF210438



LOT 23

P.F. SCHEEPERS

CEP 210438
2021-08-13
SP

Ouerskap Vaar Moer

DNS

Genomies



CEP 170253
OUD/KALW. 6/4
GEM. SI/KALW. 100/4
TKP 438

- TMB 140015
- TMB 14026
OUD/KALW. 9/8
GEM. SI/KALW. 99/8
TKP 366
- CEP 150515
- CEP 140077
OUD/KALW. 10/8
GEM. SI/KALW. 104/8
TKP 354
- JL 100600
JL 110015
OUD/KALW. 11/9
GEM. SI/KALW. 108/8
- FCT 080118
MMJ 090073
OUD/KALW. 10/6
GEM. SI/KALW. 99/5
- CEP 110301 HH(c)
- CEP 070018
OUD/KALW. 11/9
GEM. SI/KALW. 104/8
- BP 090012
- CEP 060119
OUD/KALW. 11/6
GEM. SI/KALW. 105/8

Geboortegemak Waarde 100	Speenkalf Waarde 108	Vrugbaarheids- waarde 108	Onderhouds- waarde 73	Koeiwaarde 104	Groei- waarde 106	Karkas- waarde 114
---------------------------------------	-----------------------------------	--	------------------------------------	--------------------------	--------------------------------	---------------------------------

Kalf en Moeder			Vrugbaarheid				Na-Speen Groei			Raam		Karkas			
Geb. Dir.	Spn. Dir.	Spn. Mat.	Skr. Omtr.	Vers Vrugb.	Koei Vrugb.	Lankl.	Na-Speen	GDT	VOV	Volv. Gewig	Hoogte	Lengte	OSO	Vet	Mar
95	115	94	91	105	101	117	113	114	115	134	115	119	130	68	108

Spn. Indeks	365D Indeks	540D Indeks	GDT Indeks	VOV Indeks	Skrotum	LH
104	-	-	93	-	329	1.22

Mioestations	
Q204X	0
NT821	0
F94L	0

OPMERKINGS: Kalfgemak vir verse

LOGIX EBV Analise: 2024-06-19

KLIK VIR VIDEO



LOT 24
CEF210514

LOT 24 P.F. SCHEEPERS

CEF 210514
2021-09-10
SP

Ouerskap Vaar Moer

DNS

Genomies

CEF 180338



CEF 130169
OUD/KALW. 10/8
GEM. SI/KALW. 102/7
TKP 388

☞ CEF 130317 HH(c)

CEF 130147
OUD/KALW. 10/8
GEM. SI/KALW. 102/7
TKP 391

CEF 080426

CEF 060170
OUD/KALW. 10/5
GEM. SI/KALW. 111/4
TKP 410

☞ CEF 110301 HH(c)

CEF 100161
OUD/KALW. 13/9
GEM. SI/KALW. 103/7
GJN 100238

CEF 110101
OUD/KALW. 5/1
GEM. SI/KALW. 108/1

CEF 040460

CEF 000050
OUD/KALW. 14/12
GEM. SI/KALW. 102/12

CEF 020328

CEF 000179
OUD/KALW. 23/9
GEM. SI/KALW. 103/8

Geboortegemak Waarde 109	Speenkalf Waarde 101	Vrugbaarheids- waarde 113	Onderhouds- waarde 87	Koeiwaarde 108	Groei- waarde 103	Karkas- waarde 106
---------------------------------------	-----------------------------------	--	------------------------------------	--------------------------	--------------------------------	---------------------------------

Kalf en Moeder			Vrugbaarheid			Na-Speen Groei			Raam		Karkas				
Geb. Dir.	Spn. Dir.	Spn. Mat.	Skr. Omtr.	Vers Vrugb.	Koei Vrugb.	Lankl.	Na-Speen	GDT	VOV	Volw. Gewig	Hoogte	Lengte	OSO	Vet	Mar
107	104	94	130	107	110	110	104	103	94	114	106	115	113	104	106

Spn. Indeks	365D Indeks	540D Indeks	GDT Indeks	VOV Indeks	Skrotum	LH
106	-	-	90	-	401	1.22

Miostatien	
Q204X	0
NT821	0
F94L	0

OPMERKINGS: Kalfgemak vir verse

LOGIX EBV Analise: 2024-06-19

KLIK VIR VIDEO



LOT 25
CEF210541

LOT 25
P.F. SCHEEPERS

CEP 210541
2021-10-30
SP

Parentage Sire Dam

DNA

Genomic



CEF 190073
AGE/CALV. 3/1
AVG. Wt/CALV. 106/1
ICP -

AG 130024 HH(c)

AG 090133
AGE/CALV. 14/13
AVG. Wt/CALV. 107/12
ICP 377

CEF 160391

CEF 160269
AGE/CALV. 7/6
AVG. Wt/CALV. 86/4
ICP 363

AG 090751

HJB 030230
AGE/CALV. 14/9
AVG. Wt/CALV. 99/8

FCT 060109

AG 070402
AGE/CALV. 14/10
AVG. Wt/CALV. 108/10

CEF 120436

CEF 120130
AGE/CALV. 10/6
AVG. Wt/CALV. 95/6

CEF 130437

CEF 120248
AGE/CALV. 6/3
AVG. Wt/CALV. 115/3

Calving Ease Value 113	Weaner Calf Value 118	Fertility Value 105	Maintenance Value 123	Cow Value 122	Growth Value 122	Carcass Value 122									
Calf and Mother		Fertility			Post-Wean Growth			Frame			Carcass				
Birth Dir.	Wean Dir.	Wean Mat.	Scr. Circ.	Heifer Fert.	Cow Fert.	Longev.	Post Wean	ADG	FCR	Mature Weight	Height	Length	EMA	Fat	Mar
113	107	97	102	101	108	103	107	122	114	79	108	114	108	146	97
Wean Index	365D Index	540D Index	ADG Index	FCR Index	Scrotum	LH									
106	-	-	93	-	327	1.23									
													Myostatin		
													Q204X	0	
													NT821	0	
													F94L	0	

REMARKS: Kalfgemak vir verse


LOGIX EBV Analysis: 2024-06-19

KLIK VIR VIDEO



LOT 26
CEF210456

LOT 26 P.F. SCHEEPERS


CEF 210456
 2021-08-19
 SP
 Parentage Sire Dam
 DNA
 Genomic

CEF 170545


CEF 160040
 AGE/CALV. 7/5
 AVG. Wt/CALV. 101/5
 ICP 367

CEF 130548 HH(e) — GJN 100238
CEF 110046 — CEF 110046
 AGE/CALV. 13/10
 AVG. Wt/CALV. 105/10
CEF 080338 — CEF 080338
CEF 070013 — CEF 070013
 AGE/CALV. 12/10
 AVG. Wt/CALV. 100/10
WSS 070005 P
MRW 100125 — MRW 020190
 AGE/CALV. 9/6
 AVG. Wt/CALV. 101/6
GBS 030140 — GBS 030140
CEF 080220 — GBS 030079
 AGE/CALV. 10/8
 AVG. Wt/CALV. 104/8
 ICP 368
 AGE/CALV. 7/5
 AVG. Wt/CALV. 99/4

Calving Ease Value 112	Weaner Calf Value 122	Fertility Value 114	Maintenance Value 89	Cow Value 123	Growth Value 110	Carcass Value 118
----------------------------------	---------------------------------	-------------------------------	--------------------------------	-------------------------	----------------------------	-----------------------------

Calf and Mother			Fertility				Post-Wean Growth			Frame			Carcass		
Birth Dir.	Wean Dir.	Wean Mat.	Scr. Circ.	Heifer Fert.	Cow Fert.	Longev.	Post Wean	ADG	FCR	Mature Weight	Height	Length	EMA	Fat	Mar
108	122	90	93	111	113	101	115	117	112	112	130	132	115	88	96

Wean Index 110	365D Index -	540D Index -	ADG Index 90	FCR Index -	Scrotum 341	LH 1.21
--------------------------	-----------------	-----------------	------------------------	----------------	-----------------------	-------------------

Myostatin	
Q204X	0
NT821	0
F94L	0

REMARKS: Kalfgemak vir verse

LOGIX EBV Analysis: 2024-06-19

KLIK VIR VIDEO



LOT 27
CEF210486



LOT 27

P.F. SCHEEPERS

CE210486
2021-08-30
SP

Parentage Sire Dam

DNA
Genomic

CE170516

VV160440
AGE/CALV. 7/5
AVG. Wt/CALV. 93/5
ICP 371

CE150315

CE130127
AGE/CALV. 10/7
AVG. Wt/CALV. 99/6
ICP 455

VV130248

VV100006
AGE/CALV. 12/10
AVG. Wt/CALV. 100/10
ICP 376

CE100304 HH(c)

CE050121
AGE/CALV. 12/10
AVG. Wt/CALV. 99/10

GCD 090102

CE070226
AGE/CALV. 7/4
AVG. Wt/CALV. 99/4

AG 090226

VV 020323
AGE/CALV. 11/9
AVG. Wt/CALV. 99/9

VV 070012

VV 990217
AGE/CALV. 13/10
AVG. Wt/CALV. 102/10

Calving Ease Value 95	Weaner Calf Value 93	Fertility Value 100	Maintenance Value 87	Cow Value 89	Growth Value 116	Carcass Value 108
---------------------------------	--------------------------------	-------------------------------	--------------------------------	------------------------	----------------------------	-----------------------------

Calf and Mother			Fertility				Post-Wean Growth			Frame			Carcass		
Birth Dir.	Wean Dir.	Wean Mat.	Scr. Circ.	Heifer Fert.	Cow Fert.	Longev.	Post Wean	ADG	FCR	Mature Weight	Height	Length	EMA	Fat	Mar
90	110	75	97	93	105	106	109	111	114	115	104	107	88	84	101

Wean Index	365D Index	540D Index	ADG Index	FCR Index	Scrotum	LH
92	-	-	117	-	344	1.19

Myostatin	
Q204X	0
NT821	0
F94L	0

REMARKS:

LOGIX EBV Analysis: 2024-06-19

KLIK VIR VIDEO



LOT 28
CEF210594

LOT 28 P.F. SCHEEPERS



CEP 210594
2021-11-24
B

Ouerskap Vaar Moer

DNS
Genomies

CEP 150315



CEP 170055
OUD/KALW. 7/5
GEM. SI/KALW. 99/4
TKP 376

CEP 100304 HH(c)

CEP 050121
OUD/KALW. 12/10
GEM. SI/KALW. 99/10
TKP 363

CEP 130364

CEP 130720
OUD/KALW. 6/4
GEM. SI/KALW. 103/4
TKP 402

CEP 080025

CEP 070151
OUD/KALW. 15/13
GEM. SI/KALW. 101/12

CEP 010375

CEP 960097
OUD/KALW. 10/8
GEM. SI/KALW. 103/8

CEP 110301 HH(c)

CEP 100009
OUD/KALW. 7/5
GEM. SI/KALW. 97/4

Geboortegemak Waarde 97	Speenkalf Waarde 95	Vrugbaarheids- waarde 95	Onderhouds- waarde 94	Koeiwaarde 88	Groei- waarde 106	Karkas- waarde 104
--------------------------------------	----------------------------------	---------------------------------------	------------------------------------	-------------------------	--------------------------------	---------------------------------

Kalf en Moeder			Vrugbaarheid				Na-Speen Groei			Raam		Karkas			
Geb. Dir.	Spn. Dir.	Spn. Mat.	Skr. Omtr.	Vers Vrugb.	Koei Vrugb.	Lankl.	Na-Speen	GDT	VOV	Volw. Gewig	Hoogte	Lengte	OSO	Vet	Mar
90	110	71	110	90	101	104	97	102	105	106	106	108	83	109	56

Spn. Indeks	365D Indeks	540D Indeks	GDT Indeks	VOV Indeks	Skrotum	LH
105	-	-	94	-	376	1.17

Miostatien	
Q204X	1
NT821	0
F94L	0

OPMERKINGS:

LOGIX EBV Analise: 2024-06-19

KLIK VIR VIDEO



LOT 29
CEF220373

LOT 29 P.F. SCHEEPERS

CEF 220373
2022-03-29
SP

Ouerskap Vaar Moer

DNS
Genomies

CEF 180520

CEF 180127
OUD/KALW. 6/3
GEM. SI/KALW. 107/3
TKP 440

- CEF 160490
 - ☞ CEF 100304 HH(c)
 - CEF 060200
OUD/KALW. 12/8
GEM. SI/KALW. 110/8
 - ☞ VV 110238
 - VV 080343
OUD/KALW. 9/5
GEM. SI/KALW. 101/5
 - BBM 080070
 - ☞ JRB 030026
OUD/KALW. 18/15
GEM. SI/KALW. 109/14
 - MRW 100125
 - CEF 100195
OUD/KALW. 13/11
GEM. SI/KALW. 101/9
- VV 140512
OUD/KALW. 9/7
GEM. SI/KALW. 107/7
TKP 415
- ☞ BBM 140034 HH(c)
- CEF 160106
OUD/KALW. 4/2
GEM. SI/KALW. 97/1
TKP 477

Geboortegemak Waarde 90	Speenkalf Waarde 119	Vrugbaarheids- waarde 96	Onderhouds- waarde 99	Koeiwaarde 110	Groei- waarde 111	Karkas- waarde 115
--------------------------------------	-----------------------------------	---------------------------------------	------------------------------------	--------------------------	--------------------------------	---------------------------------

Kalf en Moeder			Vrugbaarheid				Na-Speen Groei			Raam		Karkas			
Geb. Dir.	Spn. Dir.	Spn. Mat.	Skr. Omtr.	Vers Vrugb.	Koei Vrugb.	Lankl.	Na-Speen	GDT	VOV	Volw. Gewig	Hoogte	Lengte	OSO	Vet	Mar
87	115	110	91	91	96	113	109	113	115	98	115	112	121	130	70

Spn. Indeks	365D Indeks	540D Indeks	GDT Indeks	VOV Indeks	Skrotum	LH
124	-	-	106	-	348	1.19

Miostatien	
Q204X	0
NT821	0
F94L	0

OPMERKINGS:

LOGIX EBV Analise: 2024-06-19

KLIK VIR VIDEO



LOT 30
CEF220370

LOT 30 P.F. SCHEEPERS

CEM
CEM 220370
2022-03-24
SP

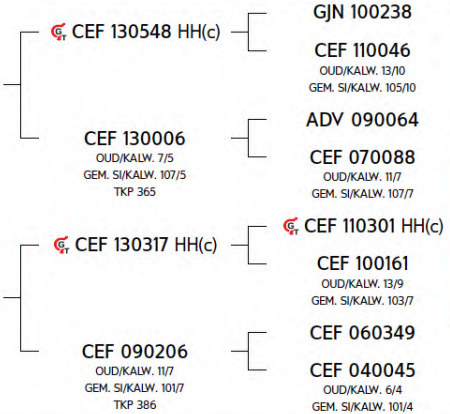
Ouerskap Vaar Moer

DNS

Genomies

CEM 190470

CEM 180166
OUD/KALW. 5/4
GEM. SI/KALW. 96/2
TKP 437



Geboortegemak Waarde 108	Speenkalf Waarde 110	Vrugbaarheids- waarde 111	Onderhouds- waarde 84	Koeiwaarde 112	Groei- waarde 111	Karkas- waarde 113
---------------------------------------	-----------------------------------	--	------------------------------------	--------------------------	--------------------------------	---------------------------------

Kalf en Moeder			Vrugbaarheid			Na-Speen Groei			Raam		Karkas				
Geb. Dir.	Spn. Dir.	Spn. Mat.	Skr. Omtr.	Vers Vrugb.	Koei Vrugb.	Lankl.	Na-Speen	GDT	VOV	Volw. Gewig	Hoogte	Lengte	OSO	Vet	Mar
103	113	93	91	114	99	110	116	105	95	118	90	110	112	117	132

Spn. Indeks	365D Indeks	540D Indeks	GDT Indeks	VOV Indeks	Skrotum	LH
95	-	-	110	-	339	1.22

Miestatien	
Q204X	0
NT821	0
F94L	0

OPMERKINGS: Kalfgemak vir verse

LOGIX EBV Analise: 2024-06-19

KLIK VIR VIDEO



LOT 31
CEF220361



LOT 31

P.F. SCHEEPERS

CE 220361
2022-03-27
SP

Parentage Sire Dam

DNA

Genomic

CE 190496

CE 190132
AGE/CALV. 5/2
AVG. WU/CALV. 99/2
ICP 405

CE 130317 HH(c)

CE 100036 HH(c)
AGE/CALV. 12/9
AVG. WU/CALV. 102/9
ICP 361

CE 140440

CE 150210
AGE/CALV. 6/4
AVG. WU/CALV. 96/4
ICP 438

CE 110301 HH(c)

CE 100161
AGE/CALV. 13/9
AVG. WU/CALV. 103/7

GCD 030148

CE 020206
AGE/CALV. 13/11
AVG. WU/CALV. 98/11

CE 100304 HH(c)

CE 050145
AGE/CALV. 15/13
AVG. WU/CALV. 97/12

CE 120367

CE 100083
AGE/CALV. 10/8
AVG. WU/CALV. 104/8

Calving Ease Value	Weaner Calf Value	Fertility Value	Maintenance Value	Cow Value	Growth Value	Carcass Value
107	102	109	87	104	128	124

Calf and Mother			Fertility				Post-Wean Growth			Frame			Carcass		
Birth Dir.	Wean Dir.	Wean Mat.	Scr. Circ.	Heifer Fert.	Cow Fert.	Longev.	Post Wean	ADG	FCR	Mature Weight	Height	Length	EMA	Fat	Mar
105	113	77	96	103	110	108	118	118	103	116	96	112	106	130	143

Wean Index	365D Index	540D Index	ADG Index	FCR Index	Scrotum	LH
106	-	-	124	-	341	1.24

Myostatin	
Q204X	0
NT821	0
F94L	0

KLIK VIR VIDEO

REMARKS: Kalfgemak vir verse

LOGIX EBV Analysis: 2024-06-19



LOT 32
CEF220338

LOT 32 P.F. SCHEEPERS

CEP 220338
2022-03-09
SP

Parentage Sire Dam

DNA
Genomic

MBT 180199



CEP 140154
AGE/CALV. 9/6
AVG. WU/CALV. 101/6
ICP 367

CRV 110235

MBT 150048
AGE/CALV. 9/6
AVG. WU/CALV. 95/6
ICP 367

MCU 090078 P

CEP 100055
AGE/CALV. 14/12
AVG. WU/CALV. 99/9
ICP 391

BHE 030083

BPJ 070061
AGE/CALV. 4/2
AVG. WU/CALV. 101/2

MBT 070144

MBT 090059
AGE/CALV. 8/5
AVG. WU/CALV. 103/3

CEP 050355

MCU 030062 P
AGE/CALV. 7/4
AVG. WU/CALV. 106/4

CEP 060349

CEP 000116
AGE/CALV. 16/10
AVG. WU/CALV. 102/9

Calving Ease Value
98

Weaner Calf Value
115

Fertility Value
119

Maintenance Value
93

Cow Value
119

Growth Value
98

Carcass Value
104

Calf and Mother			Fertility				Post-Wean Growth			Frame			Carcass		
Birth Dir.	Wean Dir.	Wean Mat.	Scr. Circ.	Heifer Fert.	Cow Fert.	Longev.	Post Wean	ADG	FCR	Mature Weight	Height	Length	EMA	Fat	Mar
93	121	86	118	112	121	100	111	100	110	107	89	99	111	88	81
Wean Index	365D Index	540D Index	ADG Index	FCR Index	Scrotum	LH									
108	-	-	93	-	375	1.22									

Myostatin	
Q204X	0
NT821	0
F94L	0

REMARKS:

LOGIX EBV Analysis: 2024-06-19

KLIK VIR VIDEO



LOT 33
CEF220326



LOT 33

P.F. SCHEEPERS

CEM 220326
2022-03-04
SP

Parentage Sire Dam

DNA
Genomic

MBT 180199

CEM 160171
AGE/CALV. 6/4
AVG. W1/CALV. 99/4
ICP 367

CRV 110235

MBT 150048
AGE/CALV. 9/6
AVG. W1/CALV. 95/6
ICP 367

CEF 130590

CEF 100127
AGE/CALV. 11/8
AVG. W1/CALV. 103/8
ICP 383

BHE 030083
BPJ 070061
AGE/CALV. 4/2
AVG. W1/CALV. 101/2

MBT 070144
MBT 090059
AGE/CALV. 8/5
AVG. W1/CALV. 103/3

CEF 110301 HH(c)

CEF 100001
AGE/CALV. 5/4
AVG. W1/CALV. 108/3

CEF 070473

CEF 020184
AGE/CALV. 10/8
AVG. W1/CALV. 110/8

Calving Ease Value	Weaner Calf Value	Fertility Value	Maintenance Value	Cow Value	Growth Value	Carcass Value
95	113	114	88	114	131	124

Calf and Mother			Fertility				Post-Wean Growth			Frame			Carcass		
Birth Dir.	Wean Dir.	Wean Mat.	Scr. Circ.	Heifer Fert.	Cow Fert.	Longev.	Post Wean	ADG	FCR	Mature Weight	Height	Length	EMA	Fat	Mar
93	119	94	121	114	108	102	122	123	115	113	115	120	122	80	107

Wean Index	365D Index	540D Index	ADG Index	FCR Index	Scrotum	LH
93	-	-	126	-	361	1.23

Myostatin	
Q204X	0
NT821	0
F94L	0

REMARKS:

KLIK VIR VIDEO



LOT 34
CEF220309

LOT 34 P.F. SCHEEPERS



CEF 220309
2022-02-24
SP

Ouerskap Vaar Moer

DNS
Genomies

AG 170081



CEF 190280
OUD/KALW. 4/2
GEM. SI/KALW. 103/2
TKP 549

AG 130024 HH(c)

AG 090133
OUD/KALW. 14/13
GEM. SI/KALW. 107/12
TKP 377

LAR 160004

VV 100317
OUD/KALW. 12/10
GEM. SI/KALW. 99/10
TKP 364

AG 090751

HJB 030230
OUD/KALW. 14/19
GEM. SI/KALW. 99/8

FCT 060109

AG 070402
OUD/KALW. 14/10
GEM. SI/KALW. 108/10

LAR 120455

LAR 050072
OUD/KALW. 10/8
GEM. SI/KALW. 105/7

VV 070291

VV 060438
OUD/KALW. 5/3
GEM. SI/KALW. 110/3

Geboortegemak
Waarde
93

Speenkalf
Waarde
131

Vrugbaarheids-
waarde
89

Onderhouds-
waarde
106

Koeiwaarde
115

Groei-
waarde
126

Karkas-
waarde
130

Kalf en Moeder			Vrugbaarheid				Na-Speen Groei			Raam		Karkas				
Geb. Dir.	Spn. Dir.	Spn. Mat.	Skr. Omtr.	Vers Vrugb.	Koei Vrugb.	Lankl.	Na-Speen	GDT	VOV	Volw. Gewig	Hoogte	Lengte	OSO	Vet	Mar	
92	128	97	114	88	92	106	122	125	125	93	95	97	129	121	99	
Spn. Indeks		365D Indeks		540D Indeks		GDT Indeks		VOV Indeks		Skrotum		LH		Miostatien		
105		-		-		107		-		365		1.17		Q204X 1		
														NT821 0		
														F94L 0		

OPMERKINGS:

LOGIX EBV Analise: 2024-06-19

KLIK VIR VIDEO



LOT 35
CEF220377



LOT 35 P.F. SCHEEPERS

CEM 220377
2022-03-31
SP

Ouerskap Vaar Moer

DNS
Genomies

MBT 180199

CEM 130133
OUD/KALW. 10/8
GEM. SI/KALW. 102/7
TKP 365

CRV 110235

MBT 150048
OUD/KALW. 9/6
GEM. SI/KALW. 95/6
TKP 367

AG 090762

CEM 080099
OUD/KALW. 7/4
GEM. SI/KALW. 94/4
TKP 423

BHE 030083

BPJ 070061
OUD/KALW. 4/2
GEM. SI/KALW. 101/2

MBT 070144

MBT 090059
OUD/KALW. 8/5
GEM. SI/KALW. 103/3

CEM 040431

AG 000415
OUD/KALW. 18/13
GEM. SI/KALW. 104/14

CEM 060391

CEM 060101
OUD/KALW. 8/5
GEM. SI/KALW. 104/4

Geboortegemak Waarde 114	Speenkalf Waarde 107	Vrugbaarheids- waarde 104	Onderhouds- waarde 90	Koeiwaarde 107	Groei- waarde 101	Karkas- waarde 106
---------------------------------------	-----------------------------------	--	------------------------------------	--------------------------	--------------------------------	---------------------------------

Kalf en Moeder			Vrugbaarheid				Na-Speen Groei			Raam		Karkas			
Geb. Dir.	Spn. Dir.	Spn. Mat.	Skr. Omtr.	Vers Vrugb.	Koei Vrugb.	Lankl.	Na-Speen	GDT	VOV	Volw. Gewig	Hoogte	Lengte	OSO	Vet	Mar
108	107	92	120	109	99	97	104	103	111	111	90	99	98	95	116

Spn. Indeks	365D Indeks	540D Indeks	GDT Indeks	VOV Indeks	Skrotum	LH
107	-	-	101	-	364	1.20

Miostatien	
Q204X	0
NT821	0
F94L	0

OPMERKINGS: Kalfgemak vir verse

LOGIX EBV Analise: 2024-06-19

KLIK VIR VIDEO



LOT 36
CEF220320

LOT 36 P.F. SCHEEPERS



CEF 220320
2022-03-02
SP

Ouerskap Vaar Moer

DNS
Genomies

CEF 190340



CEF 190252
OUD/KALW. 4/2
GEM. SI/KALW. 106/2
TKP 530

CEF 130548 HH(c)

CEF 120263
OUD/KALW. 7/6
GEM. SI/KALW. 97/5
TKP 366

CEF 170585

CEF 170149
OUD/KALW. 4/3
GEM. SI/KALW. 98/3
TKP 391

GJN 100238

CEF 110046
OUD/KALW. 13/0
GEM. SI/KALW. 105/0

CEF 080426

CEF 090208
OUD/KALW. 7/5
GEM. SI/KALW. 98/4

VV 140338

VV 130238
OUD/KALW. 5/4
GEM. SI/KALW. 96/4

CEF 100304 HH(c)

CEF 090088
OUD/KALW. 11/8
GEM. SI/KALW. 108/8

Geboortegemak
Waarde
108

Speenkalf
Waarde
121

Vrugbaarheids-
waarde
110

Onderhouds-
waarde
114

Koeiwaarde
125

Groei-
waarde
103

Karkas-
waarde
106

Kalf en Moeder			Vrugbaarheid				Na-Speen Groei			Raam		Karkas					
Geb. Dir.	Spn. Dir.	Spn. Mat.	Skr. Omtr.	Vers Vrugb.	Koei Vrugb.	Lankl.	Na-Speen	GDT	VOV	Volw. Gewig	Hoogte	Lengte	OSO	Vet	Mar		
109	109	105	97	115	97	108	109	110	112	88	93	104	121	99	81		
Spn. Indeks		365D Indeks		540D Indeks		GDT Indeks		VOV Indeks		Skrotum		LH		Miostatien			
110		-		-		93		-		344		1.21		Q204X 0		NT821 0	F94L 0

OPMERKINGS: Kalfgemak vir verse

LOGIX EBV Analise: 2024-06-19

KLIK VIR VIDEO



LOT 37
CEF220356



LOT 37

P.F. SCHEEPERS

CE 220356
2022-03-19
SP

Parentage	Sire	Dam
DNA	✓	
Genomic		

CE 190340

CE 190168
AGE/CALV. 4/2
AVG. W1/CALV. 100/2
ICP 354

<ul style="list-style-type: none"> ☞ CEF 130548 HH(c) ☞ CEF 120263 AGE/CALV. 7/6 AVG. W1/CALV. 97/5 ICP 366 ☞ CEF 130317 HH(c) ☞ CEF 100158 AGE/CALV. 13/11 AVG. W1/CALV. 101/11 ICP 382 	<ul style="list-style-type: none"> GJN 100238 CE 110046 AGE/CALV. 13/10 AVG. W1/CALV. 105/10 CE 080426 CE 090208 AGE/CALV. 7/5 AVG. W1/CALV. 98/4 ☞ CEF 110301 HH(c) CE 100161 AGE/CALV. 13/9 AVG. W1/CALV. 103/7 NPT 070170 CE 040124 AGE/CALV. 12/10 AVG. W1/CALV. 94/10
--	--

Calving Ease Value 117	Weaner Calf Value 117	Fertility Value 118	Maintenance Value 86	Cow Value 123	Growth Value 131	Carcass Value 122
----------------------------------	---------------------------------	-------------------------------	--------------------------------	-------------------------	----------------------------	-----------------------------

Calf and Mother			Fertility				Post-Wean Growth			Frame		Carcass			
Birth Dir.	Wean Dir.	Wean Mat.	Scr. Circ.	Heifer Fert.	Cow Fert.	Longev.	Post Wean	ADG	FCR	Mature Weight	Height	Length	EMA	Fat	Mar
117	118	89	113	113	113	109	127	122	103	115	109	120	110	99	101

Wean Index	365D Index	540D Index	ADG Index	FCR Index	Scrotum	LH
116	-	-	118	-	350	1.20

Myostatin	
Q204X	0
NT821	0
F94L	0

KLIK VIR VIDEO

REMARKS: Kalfgemak vir verse

LOGIX EBV Analysis: 2024-06-19



LOT 38
CEF220385

LOT 38

P.F. SCHEEPERS



CEF 220385
2022-04-10
SP

Parentage Sire Dam

DNA
Genomic

CEF 190514



CEF 190292
AGE/CALV. 4/3
AVG. Wt/CALV. 103/2
ICP 346

CEF 130317 HH(c)

CEF 130181
AGE/CALV. 10/8
AVG. Wt/CALV. 106/7
ICP 381

LAR 160004

CEF 120014
AGE/CALV. 12/9
AVG. Wt/CALV. 103/8
ICP 418

CEF 110301 HH(c)

CEF 100161
AGE/CALV. 13/9
AVG. Wt/CALV. 103/7

HJB 040251

CEF 090059
AGE/CALV. 6/4
AVG. Wt/CALV. 102/4

LAR 120455

LAR 050072
AGE/CALV. 10/8
AVG. Wt/CALV. 105/7

CEF 100330

CEF 090105
AGE/CALV. 10/9
AVG. Wt/CALV. 94/9

Calving Ease Value
106

Weaner Calf Value
103

Fertility Value
105

Maintenance Value
85

Cow Value
103

Growth Value
115

Carcass Value
114

Calf and Mother			Fertility				Post-Wean Growth			Frame			Carcass		
Birth Dir.	Wean Dir.	Wean Mat.	Scr. Circ.	Heifer Fert.	Cow Fert.	Longev.	Post Wean	ADG	FCR	Mature Weight	Height	Length	EMA	Fat	Mar
102	106	97	102	105	103	103	111	116	114	117	68	91	112	93	126
Wean Index	365D Index	540D Index	ADG Index	FCR Index	Scrotum	LH									
102	-	-	97	-	355	1.24									

Myostatin	
Q204X	1
NT821	0
F94L	0

REMARKS:

LOGIX EBV Analysis: 2024-06-19

KLIK VIR VIDEO



LOT 39
CEF220393



LOT 39
PF. SCHEEPERS

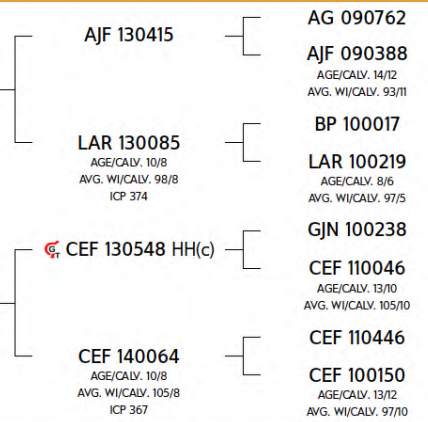

CEF 220393
2022-04-09
SP

Parentage Sire Dam

DNA
Genomic



CEF 160193
AGE/CALV. 7/6
AVG. W1/CALV. 109/5
ICP 368



Calving Ease Value 95	Weaner Calf Value 114	Fertility Value 111	Maintenance Value 97	Cow Value 114	Growth Value 106	Carcass Value 117
--	--	--------------------------------------	---------------------------------------	--------------------------------	-----------------------------------	------------------------------------

Calf and Mother			Fertility				Post-Wean Growth			Frame			Carcass		
Birth Dir.	Wean Dir.	Wean Mat.	Scr. Circ.	Heifer Fert.	Cow Fert.	Longev.	Post Wean	ADG	FCR	Mature Weight	Height	Length	EMA	Fat	Mar
90	113	102	121	109	107	107	110	112	113	101	108	113	133	99	97

Wean Index	365D Index	540D Index	ADG Index	FCR Index	Scrotum	LH
100	-	-	101	-	377	1.22

Myostatin	
Q204X	0
NT821	0
F94L	0

REMARKS: Moeder Elite Brons

LOGIX EBV Analysis: 2024-06-19

KLIK VIR VIDEO



LOT 40
CEF220391

LOT 40 P.F. SCHEEPERS

CEF 220391
2022-04-08
SP

Ouerskap Vaar Moer

DNS
Genomies

MBT 180199



CEF 130210
OUD/KALW. 10/7
GEM. SI/KALW. 103/7
TKP 373

CRV 110235

MBT 150048
OUD/KALW. 9/6
GEM. SI/KALW. 95/6
TKP 367

BP 090012

CEF 050022
OUD/KALW. 12/6
GEM. SI/KALW. 99/6
TKP 452

BHE 030083

BPJ 070061
OUD/KALW. 4/2
GEM. SI/KALW. 101/2

MBT 070144

MBT 090059
OUD/KALW. 8/5
GEM. SI/KALW. 103/3

BP 060021

BP 060012
OUD/KALW. 9/6
GEM. SI/KALW. 108/6

CEF 020303

CEF 020168
OUD/KALW. 12/9
GEM. SI/KALW. 109/9

Geboortegemak Waarde 122	Speenkalf Waarde 108	Vrugbaarheids- waarde 114	Onderhouds- waarde 101	Koeiwaarde 119	Groei- waarde 95	Karkas- waarde 98
---------------------------------------	-----------------------------------	--	-------------------------------------	--------------------------	-------------------------------	--------------------------------

Kalf en Moeder			Vrugbaarheid				Na-Speen Groei			Raam		Karkas			
Geb. Dir.	Spn. Dir.	Spn. Mat.	Skr. Omtr.	Vers Vrugb.	Koei Vrugb.	Lankl.	Na-Speen	GDT	VOV	Volw. Gewig	Hoogte	Lengte	OSO	Vet	Mar
117	98	102	135	113	111	102	98	100	108	97	91	98	97	79	91

Spn. Indeks	365D Indeks	540D Indeks	GDT Indeks	VOV Indeks	Skrotum	LH
102	-	-	93	-	394	1.18

Miestatien	
Q204X	0
NT821	0
F94L	0

OPMERKINGS: Kalfgemak vir verse

LOGIX EBV Analise: 2024-06-19

KLIK VIR VIDEO



LOT 41
CEF220399

LOT 41 P.F. SCHEEPERS

CEFA 220399
2022-04-18
SP

Ouerskap Vaar Moer

DNS
Genomies

CEFA 180480

CEFA 180181
OUD/KALW. 5/3
GEM. SI/KALW. 112/3
TKP 516

- CEFA 130317 HH(c)
- CEFA 130161
OUD/KALW. 6/4
GEM. SI/KALW. 128/2
TKP 412
- CEFA 130437
- CEFA 100134
OUD/KALW. 9/7
GEM. SI/KALW. 97/6
TKP 387
- CEFA 110301 HH(c)
- CEFA 100161
OUD/KALW. 13/9
GEM. SI/KALW. 103/7
- HWB 080171
- CEFA 100096
OUD/KALW. 4/2
GEM. SI/KALW. 107/2
- CEFA 110446
- CEFA 110061
OUD/KALW. 6/1
GEM. SI/KALW. 110/1
- NPT 070170
- CEFA 040048
OUD/KALW. 10/8
GEM. SI/KALW. 91/7

Geboortegemak Waarde 100	Speenkalf Waarde 130	Vrugbaarheids-waarde 109	Onderhouds-waarde 79	Koeiwaarde 124	Groei-waarde 140	Karkas-waarde 138													
Kalf en Moeder		Vrugbaarheid			Na-Speen Groei		Raam		Karkas										
Geb. Dir.	Spn. Dir.	Spn. Mat.	Skr. Omtr.	Vers Vrugb.	Koei Vrugb.	Lankl.	Na-Speen	GDT	VOV	Volw. Gewig	Hoogte	Lengte	OSO	Vet	Mar				
98	131	103	145	102	114	100	134	135	116	124	121	137	138	98	139				
Spn. Indeks 116		365D Indeks -		540D Indeks -		GDT Indeks 106		VOV Indeks -		Skrotum 402		LH 1.23		Miostatien					
												Q204X		0					
														NT821		0			
																F94L		0	

OPMERKINGS: Kalfgemak vir verse

LOGIX EBV Analise: 2024-06-19

KLIK VIR VIDEO



LOT 42
CEF210426

LOT 42 P.F. SCHEEPERS



CEF 210426
2021-08-08
SP

Ouerskap Vaar Moer

DNS
Genomies

CEF 170545



CEF 160117
OUD/KALW. 8/5
GEM. SI/KALW. 100/5
TKP 409

CEF 130548 HH(c)

CEF 100170
OUD/KALW. 13/9
GEM. SI/KALW. 98/9
TKP 386

HDT 120043 Pp(c)

CEF 060167
OUD/KALW. 14/10
GEM. SI/KALW. 103/10
TKP 411

GJN 100238

CEF 110046
OUD/KALW. 13/10
GEM. SI/KALW. 105/10

CEF 080338

CEF 070013
OUD/KALW. 12/10
GEM. SI/KALW. 100/10

HDT 080059 Pp(c)

HDT 090001 P

CEF 030417

CEF 030183
OUD/KALW. 3/1
GEM. SI/KALW. 96/1

Geboortegemak
Waarde
134

Speenkalf
Waarde
105

Vrugbaarheids-
waarde
121

Onderhouds-
waarde
99

Koeiwaarde
123

Groei-
waarde
119

Karkas-
waarde
122

Kalf en Moeder			Vrugbaarheid				Na-Speen Groei			Raam		Karkas			
Geb. Dir.	Spn. Dir.	Spn. Mat.	Skr. Omtr.	Vers Vrugb.	Koei Vrugb.	Lankl.	Na-Speen	GDT	VOV	Volw. Gewig	Hoogte	Lengte	OSO	Vet	Mar
129	95	96	100	119	104	126	109	125	117	99	107	120	122	115	85

Spn. Indeks	365D Indeks	540D Indeks	GDT Indeks	VOV Indeks	Skrotum	LH
93	-	-	112	-	343	1.23

Miestatien	
Q204X	0
NT821	0
F94L	0

OPMERKINGS: Kalfgemak vir verse

LOGIX EBV Analise: 2024-06-19

KLIK VIR VIDEO



LOT 43
CEF220359



LOT 43

CEF 220359
2022-03-25
SP

Parentage Sire Dam

DNA	✓
Genomic	

P.F. SCHEEPERS

AG 170081

CEF 190192
AGE/CALV. 4/2
AVG. Wt/CALV. 104/2
ICP 345

AG 090133
AGE/CALV. 14/13
AVG. Wt/CALV. 107/12
ICP 377

VV 160038

CEF 130109
AGE/CALV. 10/8
AVG. Wt/CALV. 102/8
ICP 392

AG 090751

HJB 030230
AGE/CALV. 14/9
AVG. Wt/CALV. 99/8

FCT 060109

AG 070402
AGE/CALV. 14/10
AVG. Wt/CALV. 108/10

VV 130147

VV 070239
AGE/CALV. 16/14
AVG. Wt/CALV. 99/15

AG 090762

CEF 060200
AGE/CALV. 12/8
AVG. Wt/CALV. 110/8

Calving Ease Value	107
Weaner Calf Value	114
Fertility Value	105
Maintenance Value	115
Cow Value	116
Growth Value	124
Carcass Value	124

Calf and Mother			Fertility				Post-Wean Growth			Frame			Carcass		
Birth Dir.	Wean Dir.	Wean Mat.	Scr. Circ.	Heifer Fert.	Cow Fert.	Longev.	Post Wean	ADG	FCR	Mature Weight	Height	Length	EMA	Fat	Mar
105	110	90	125	103	102	110	114	123	118	88	117	116	113	147	92

Wean Index	365D Index	540D Index	ADG Index	FCR Index	Scrotum	LH
105	-	-	102	-	386	1.22

Myostatin	
Q204X	0
NT821	0
F94L	0

REMARKS: Kalfgemak vir verse

LOGIX EBV Analysis: 2024-06-19

KLIK VIR VIDEO



LOT 44
CEF220395

LOT 44 P.F. SCHEEPERS



CEF 220395
2022-04-10
SP

Parentage Sire Dam

DNA
Genomic

MBT 180199



CEF 160270
AGE/CALV. 7/6
AVG. Wt/CALV. 103/5
ICP 363

CRV 110235

MBT 150048
AGE/CALV. 9/6
AVG. Wt/CALV. 95/6
ICP 367

CEF 130437

CEF 130014
AGE/CALV. 7/5
AVG. Wt/CALV. 93/5
ICP 366

BHE 030083

BPJ 070061
AGE/CALV. 4/2
AVG. Wt/CALV. 101/2

MBT 070144

MBT 090059
AGE/CALV. 8/5
AVG. Wt/CALV. 103/3

CEF 110446

CEF 110061
AGE/CALV. 6/1
AVG. Wt/CALV. 110/1

CEF 100412

CEF 100214
AGE/CALV. 9/7
AVG. Wt/CALV. 84/7

Calving Ease Value 107	Weaner Calf Value 119	Fertility Value 116	Maintenance Value 93	Cow Value 123	Growth Value 126	Carcass Value 118
----------------------------------	---------------------------------	-------------------------------	--------------------------------	-------------------------	----------------------------	-----------------------------

Calf and Mother			Fertility				Post-Wean Growth			Frame			Carcass		
Birth Dir.	Wean Dir.	Wean Mat.	Scr. Circ.	Heifer Fert.	Cow Fert.	Longev.	Post Wean	ADG	FCR	Mature Weight	Height	Length	EMA	Fat	Mar
102	117	96	133	112	115	101	120	124	120	106	118	119	118	85	102

Wean Index	365D Index	540D Index	ADG Index	FCR Index	Scrotum	LH
103	-	-	108	-	367	1.20

Myostatin	
Q204X	0
NT821	0
F94L	0

REMARKS: Moeder Elite Brons, Kalfgemak vir verse

LOGIX EBV Analysis: 2024-06-19

KLIK VIR VIDEO



LOT 45
CEF220336



LOT 45
CEF 220336
2022-03-08
SP

Parentage Sire Dam

DNA

Genomic

P.F. SCHEEPERS

☞ VJN 190108 HH(c)

☞ CEF 190210
AGE/CALV. 4/2
AVG. W1/CALV. 97/2
ICP 364

☞ LAR 120026 HH(c)

☞ CEW 150214 HH(c)
AGE/CALV. 6/3
AVG. W1/CALV. 109/3
ICP 622

☞ CEF 160490

☞ CEF 160068
AGE/CALV. 8/6
AVG. W1/CALV. 94/6
ICP 378

☞ LAR 070055
LAR 090231
AGE/CALV. 14/12
AVG. W1/CALV. 106/11

☞ CEW 120083
CEW 080059
AGE/CALV. 16/11
AVG. W1/CALV. 105/10

☞ CEF 100304 HH(c)

☞ CEF 060200
AGE/CALV. 12/8
AVG. W1/CALV. 110/8

☞ CEF 110301 HH(c)

☞ CEF 090251
AGE/CALV. 8/6
AVG. W1/CALV. 99/5

Calving Ease Value 109	Weaner Calf Value 107	Fertility Value 109	Maintenance Value 100	Cow Value 113	Growth Value 114	Carcass Value 104
----------------------------------	---------------------------------	-------------------------------	---------------------------------	-------------------------	----------------------------	-----------------------------

Calf and Mother			Fertility				Post-Wean Growth			Frame			Carcass		
Birth Dir.	Wean Dir.	Wean Mat.	Scr. Circ.	Heifer Fert.	Cow Fert.	Longev.	Post Wean	ADG	FCR	Mature Weight	Height	Length	EMA	Fat	Mar
107	100	106	89	107	100	118	106	106	101	97	100	111	101	91	88

Wean Index	365D Index	540D Index	ADG Index	FCR Index	Scrotum	LH
98	-	-	112	-	352	1.26

Myostatin	
Q204X	0
NT821	0
F94L	0

REMARKS: Kalfgemak vir verse

LOGIX EBV Analysis: 2024-06-19

KLIK VIR VIDEO



LOT 46
CEF220423

LOT 46 P.F. SCHEEPERS

CEF 220423
2022-05-17
SP

Ouerskap Vaar Moer

DNS

Genomies

CEF 190514



CEF 190644
OUD/KALW. 4/2
GEM. SI/KALW. 100/2
TKP 458

- ☞ CEF 130317 HH(c)
- ☞ CEF 110301 HH(c)
- ☞ CEF 100161
OUD/KALW. 13/9
GEM. SI/KALW. 103/7
- ☞ HJB 040251
- ☞ CEF 090059
OUD/KALW. 6/4
GEM. SI/KALW. 102/4
- ☞ CEF 100304 HH(c)
- ☞ CEF 160490
- ☞ CEF 060200
OUD/KALW. 12/8
GEM. SI/KALW. 110/8
- ☞ CEF 140334
- ☞ CEF 160024
OUD/KALW. 4/2
GEM. SI/KALW. 100/2
TKP 442
- ☞ CEF 130133
OUD/KALW. 10/8
GEM. SI/KALW. 102/7

Geboortegemak Waarde 93	Speenkalf Waarde 102	Vrugbaarheids-waarde 105	Onderhouds-waarde 88	Koeiwaarde 100	Groei-waarde 122	Karkas-waarde 119
-----------------------------------	--------------------------------	------------------------------------	--------------------------------	--------------------------	----------------------------	-----------------------------

Kalf en Moeder				Vrugbaarheid			Na-Speen Groei			Raam		Karkas			
Geb. Dir.	Spn. Dir.	Spn. Mat.	Skr. Omtr.	Vers Vrugb.	Koei Vrugb.	Lankl.	Na-Speen	GDT	VOV	Volw. Gewig	Hoogte	Lengte	OSO	Vet	Mar
92	110	94	86	108	99	104	116	121	120	112	95	106	115	98	110

Spn. Indeks	365D Indeks	540D Indeks	GDT Indeks	VOV Indeks	Skrotum	LH
100	-	-	101	-	318	1.21

Miestatien	
Q204X	0
NT821	0
F94L	0

OPMERKINGS:

LOGIX EBV Analise: 2024-06-19

KLIK VIR VIDEO



LOT 47
CEF220382

LOT 47

P.F. SCHEEPERS

CEP 220382
2022-04-04
SP

Ouerskap Vaar Moer

DNS

Genomies

LAG 170271

CEP 130200
OUD/KALW. 10/9
GEM. SI/KALW. 104/7
TKP 367

AJF 130415

LAG 130085
OUD/KALW. 10/8
GEM. SI/KALW. 98/8
TKP 374

HWB 080171

CEP 100072
OUD/KALW. 7/5
GEM. SI/KALW. 104/5
TKP 364

AG 090762

AJF 090388
OUD/KALW. 14/12
GEM. SI/KALW. 93/11

BP 100017

LAG 100219
OUD/KALW. 8/6
GEM. SI/KALW. 97/5

WAT 040348

HWB 060023
OUD/KALW. 9/5
GEM. SI/KALW. 102/5

CEP 070487

GBS 070057
OUD/KALW. 3/1
GEM. SI/KALW. 110/1

Geboortegemak Waarde 86	Speenkalf Waarde 111	Vrugbaarheids- waarde 101	Onderhouds- waarde 79	Koeiwaarde 101	Groei- waarde 113	Karkas- waarde 119
--------------------------------------	-----------------------------------	--	------------------------------------	--------------------------	--------------------------------	---------------------------------

Kalf en Moeder			Vrugbaarheid			Na-Speen Groei			Raam		Karkas				
Geb. Dir.	Spn. Dir.	Spn. Mat.	Skr. Omtr.	Vers Vrugb.	Koei Vrugb.	Lankl.	Na-Speen	GDT	VOV	Volw. Gewig	Hoogte	Lengte	OSO	Vet	Mar
80	122	93	119	91	113	100	115	118	118	125	149	128	124	103	87

Spn. Indeks	365D Indeks	540D Indeks	GDT Indeks	VOV Indeks	Skrotum	LH
107	-	-	102	-	364	1.15

Miostatien	
Q204X	1
NT821	0
F94L	0

OPMERKINGS: Moeder Elite Silver

LOGIX EBV Analise: 2024-06-19

KLIK VIR VIDEO