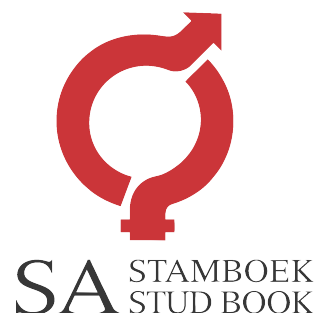


AMPTELIKE VEILINGSKATALOGUS VIR /
OFFICIAL AUCTION CATALOGUE FOR

NASIONALE IDF ELITE VEILING

BLOEMSKOU GRONDE
29 April 2023

All Pedigree- and Performance Data is as recorded on LOGIX on 20 April 2023





NASIONALE IDF ELITE VEILING

BLOEMSKOU GRONDE 29 April 2023



LOT 1 RAM



CLARKE SD & TA

Stanford, Western Cape
bclarke@mweb.co.za

DTC 210179

DENVOR RAM DTC 210179



Herd Book	SP
Birth date	2021-07-03
Age	1.8 years
Inbreeding	10.22%
Birth Stat.	2
Progeny	None

DTC 190120
DENVOR RAM DTC190120

Parentage Sire Dam

DNA

Genomic

DTC 180006
DENVOR EWE DTC180006
AFL - | ILP - | EPI 147
Lambd 5 | Lams 14 | Weaned 12

DTC 170339
DENVOR RAM DTC 170339

DTC 170328
DENVOR EWE DTC 170328
AFL 21.7 | ILP 322 | EPI 90
Lambd 4 | Lams 6 | Weaned 4

JC 150077
JANCOR RAM JC150077

DTC 150011
DENVOR EWE DTC150011
AFL 17.6 | ILP 311 | EPI 99
Lambd 4 | Lams 6 | Weaned 4

DENVOR RAM DTC150104
DENVOR EWE DTC 110200
AFL - | ILP - | EPI -
Lambd 9 | Lams 17 | Weaned 17

DENVOR RAM DTC 150862
DENVOR EWE DTC 160378
AFL 17.1 | ILP 421 | EPI 79
Lambd 5 | Lams 7 | Weaned 2

DENVOR RAM DTC 090323
JANCOR OOI JC 120074
AFL 22.1 | ILP 362 | EPI 106
Lambd 5 | Lams 5 | Weaned 4

ROSVILLE RAM ROS110015
DENVOR EWE DTC120055
AFL - | ILP - | EPI 137
Lambd 6 | Lams 8 | Weaned 7

Growth					Reproduction			
PreWn. Dir	PreWn. Mat.	Wn. Dir.	Wean Mat.	Post-Wn.	NLW	TWW	AFL	ILP
120	107	119	113	136	93	93	89	91
67%	44%	65%	35%	59%	35%	35%	26%	25%



EBV Analysis 2023-04-04

Logix Merit Index	111
Growth Index	125
Reproduction Index	106

Birth Wt.	-
Pre-Wean	40.4kg (126)
Wean Wt.	56.7kg (115)
Post-Wean	72.7kg (113)
Mature Wt.	-

SELLER REMARKS: SA Reserwe Junior Kamp 2022 - Interessante teling - one in a life time - Vaar is Victor (DTC 9120) en moer is 'n volsuster van DTC 8005

LOT 2 RAM



GERUNE FAMILIE TRUST

Stella, North West
gerritera@vodamail.co.za

GE 220010

GERUNE RAM GE220010



Herd Book	SP
Birth date	2022-04-14
Age	1 years
Inbreeding	3.32%
Birth Stat.	1
Progeny	None

JC 160034
JANCOR RAM JC160034

Parentage Sire Dam

DNA

Genomic

GE 180015
GERUNE EWE GE180015
AFL 26 | ILP 344 | EPI 89
Lambd 3 | Lams 4 | Weaned 4

JC 140046
JANCOR RAM JC 140046

JC 120054
JANCOR OOI JC 120054
AFL - | ILP - | EPI 91
Lambd 4 | Lams 3 | Weaned 1

GE 160010
GERUNE RAM GE160010

GE 130138
GERUNE EWE GE130138
AFL 22 | ILP 299 | EPI 167
Lambd 8 | Lams 15 | Weaned 12

SWEETBULT RAM HFG 120008
JCROARTY EWE JR100017
AFL 16.3 | ILP 582 | EPI -
Lambd 4 | Lams 5 | Weaned 3

LANK-GE-WAG RAM MEB 100004
KLIPPLAATDRIF OOI PM 081020
AFL 46.4 | ILP 292 | EPI -
Lambd 2 | Lams 3 | Weaned -

DENVOR RAM DTC 110159
GERUNE EWE GE110046
AFL 22.6 | ILP 459 | EPI 113
Lambd 6 | Lams 9 | Weaned 8

DAVEL RAM DVE 120041
ANCHRI OOI CH 110055
AFL 28.8 | ILP 281 | EPI 106
Lambd 4 | Lams 5 | Weaned 5

Growth					Reproduction			
PreWn. Dir	PreWn. Mat.	Wn. Dir.	Wean Mat.	Post-Wn.	NLW	TWW	AFL	ILP
103	83	93	80	90	111	111	98	103
64%	49%	63%	42%	42%	38%	38%	32%	32%



EBV Analysis 2023-04-04

Logix Merit Index	97
Growth Index	86
Reproduction Index	92

Birth Wt.	-
Pre-Wean	29.5kg (93)
Wean Wt.	42.5kg (100)
Post-Wean	-
Mature Wt.	-

SELLER REMARKS: Seun van SA Kampioen Ram 2018

LOT 3 RAM



FJ. VAN WYK

Burgersdorp, Eastern Cape
fjvanwyk.highlands@gmail.com

FJ 200142

ILE DE FRA RAM FJ200142



Herd Book	SP
Birth date	2020-10-19
Age	2.5 years
Inbreeding	18.58%
Birth Stat.	2
Progeny	
In Herd	12
Total	12
Herds Used	1

FJ 190167
ILE DE FRA RAM FJ190167

Parentage Sire Dam

DNA

Genomic

FJ 190099
ILE DE FRA EWE FJ190099
AFL 16.6 | ILP 340 | EPI 107
Lambd 3 | Lams 4 | Weaned 4

FJ 170025
ILE DE FRA RAM FJ170025

DTC 150842
DENVOR EWE DTC 150842
AFL 18.8 | ILP 496 | EPI 113
Lambd 5 | Lams 8 | Weaned 7

FJ 170025
ILE DE FRA RAM FJ170025

DTC 171549
DENVOR EWE DTC171549
AFL 18.2 | ILP 294 | EPI 108
Lambd 3 | Lams 5 | Weaned 5

ILE DE FRA RAM FJ140026
ILE DE FRA OOI FJ 130077
AFL 26.1 | ILP 272 | EPI -
Lambd 6 | Lams 9 | Weaned 9

DENVOR RAM DTC120163
DENVOR EWE DTC 110196
AFL 17.6 | ILP 317 | EPI 102
Lambd 4 | Lams 6 | Weaned 5

ILE DE FRA RAM FJ140026
ILE DE FRA OOI FJ 130077
AFL 26.1 | ILP 272 | EPI 121
Lambd 6 | Lams 9 | Weaned 9

JANCOR RAM JC150060
DENVOR EWE DTC 140123
AFL 19.8 | ILP 316 | EPI 143
Lambd 7 | Lams 10 | Weaned 10

Growth					Reproduction			
PreWn. Dir	PreWn. Mat.	Wn. Dir.	Wean Mat.	Post-Wn.	NLW	TWW	AFL	ILP
102	101	107	104	107	75	75	106	115
74%	45%	72%	36%	28%	34%	34%	27%	24%



EBV Analysis 2023-04-04

Logix Merit Index	93
Growth Index	106
Reproduction Index	95

Birth Wt.	-
Pre-Wean	24.3kg (125)
Wean Wt.	43.2kg (157)
Post-Wean	-
Mature Wt.	-

SELLER REMARKS:



NASIONALE IDF ELITE VEILING

BLOEMSKOU GRONDE 29 April 2023



LOT 4 RAM

WCN 210100

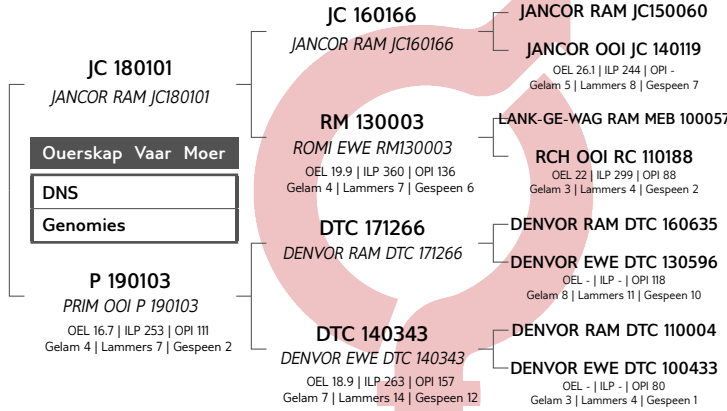
WALCON RAM WCN210100



Kuddeboek	SP
Geb. dtm	2021-06-04
Oud.	1.9 jaar
Inteling	5.37%
Geb. Status	1
Nageslag	
Geen	

WALCON

Wellington, Western Cape
0832647101
stefan@walcon.co.za



Groeï					Reproduksie			
VSpn. Dir	VSpn. Mat	Spn. Dir.	Spn. Mat.	Na-Spn.	GLS	TWW	OEL	ILP
107	102	108	104	108	120	120	105	80
54%	40%	53%	34%	17%	34%	34%	31%	27%



EBV Analise 2023-04-04

Logix Meriete Indeks	117
Groeï Indeks	109
Reproduksie Indeks	111

Geb. Gew.	-
Voorspeen	33.5kg (100)
Speen Gew.	52kg (100)
Na-Speen	-
Volw. Gew.	-

VERKOPER OPMERKINGS: Top jong ram - gebruik in stoet - uitstekende bespiering met baie lengte.

LOT 5 OOI

BS 210532

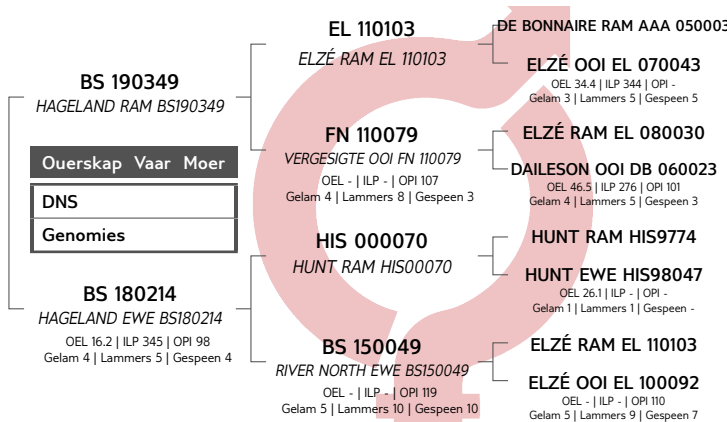
HAGELAND EWE BS210532



Kuddeboek	SP	
Geb. dtm	2021-12-30	
Oud.	1.3 jaar	
Inteling	12.36%	
Geb. Status	2	
OEL	ILP	OPI
-	-	-

HAGELAND ILE DE FRANCE PTY LTD

Klerksdorp, North West
0832787784
flip@mcsa.co.za



Groeï					Reproduksie			
VSpn. Dir	VSpn. Mat	Spn. Dir.	Spn. Mat.	Na-Spn.	GLS	TWW	OEL	ILP
97	106	102	106	102	99	99	103	107
64%	42%	63%	38%	32%	36%	36%	33%	30%



EBV Analise 2023-04-04

Logix Meriete Indeks	104
Groeï Indeks	103
Reproduksie Indeks	107

Geb. Gew.	6kg
Voorspeen	25.7kg (106)
Speen Gew.	52.4kg (108)
Na-Speen	-
Volw. Gew.	-

VERKOPER OPMERKINGS: Met 2 lammers

LOT 6 OOI

GE 220009

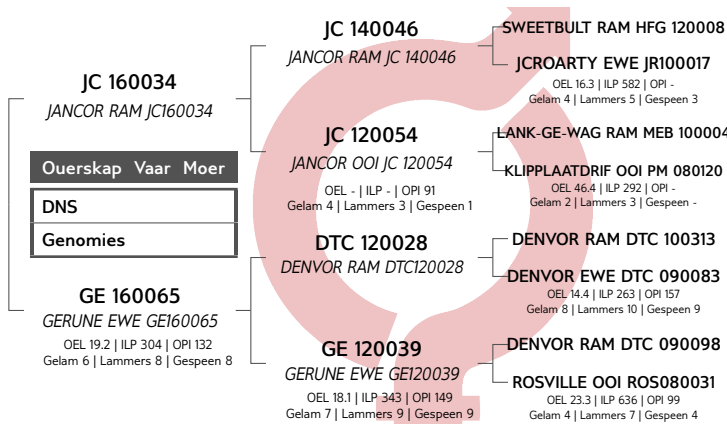
GERUNE EWE GE220009



Kuddeboek	SP	
Geb. dtm	2022-04-12	
Oud.	1.1 jaar	
Inteling	4.42%	
Geb. Status	2	
OEL	ILP	OPI
-	-	-

GERUNE FAMILIE TRUST

Stella, North West
gerritera@vodamail.co.za



Groeï					Reproduksie			
VSpn. Dir	VSpn. Mat	Spn. Dir.	Spn. Mat.	Na-Spn.	GLS	TWW	OEL	ILP
115	93	105	93	103	93	93	101	103
65%	51%	63%	44%	44%	41%	41%	35%	34%



EBV Analise 2023-04-04

Logix Meriete Indeks	102
Groeï Indeks	104
Reproduksie Indeks	93

Geb. Gew.	4kg
Voorspeen	26.4kg (104)
Speen Gew.	33.8kg (100)
Na-Speen	-
Volw. Gew.	-

VERKOPER OPMERKINGS: Ram geloop GE210012 vanaf 11/10/22 tot 08/12/22 weer by Ram GE20 0047 02/01/23 (GE 22009 dogter van SA kamp ram 2018)



NASIONALE IDF ELITE VEILING

BLOEMSKOU GRONDE 29 April 2023



LOT 7 EWE



HL 210016 HARLIN IDF EWE HL210016

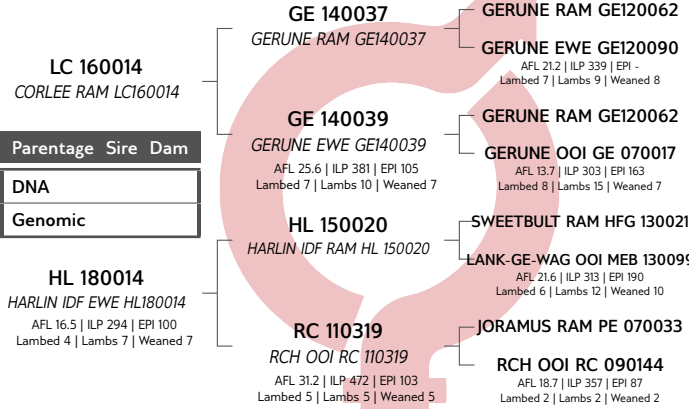


Herd Book	SP	
Birth date	2021-05-15	
Age	1.9 years	
Inbreeding	2.68%	
Birth Stat.	2	
AFL	ILP	EPI
16.6m	-	100
Lambled	1	
Lambs	1	
Weaned	1	

D.J. MEYER



Witbank, Mpumalanga
0606214135
problastvenvest@gmail.com



Growth					Reproduction			
PreWn. Dir	PreWn. Mat.	Wn. Dir.	Wean. Mat.	Post-Wn.	NLW	TWW	AFL	ILP
101	124	96	125	107	95	95	90	97
65%	52%	64%	44%	47%	41%	41%	35%	28%



EBV Analysis 2023-04-04

Logix Merit Index	104
Growth Index	112
Reproduction Index	110

Birth Wt.	3kg
Pre-Wean	22.2kg (125)
Wean Wt.	45.2kg (123)
Post-Wean	57.7kg (116)
Mature Wt.	-

SELLER REMARKS: Dragtig van Ram DJ200006 (0089850457) Natuurlike dekking, lam Mei maand. 2022 Royal Skou Iste groep van 3 interras ooië.

LOT 8 EWE



RN 210026 NELRU EWE RN210026

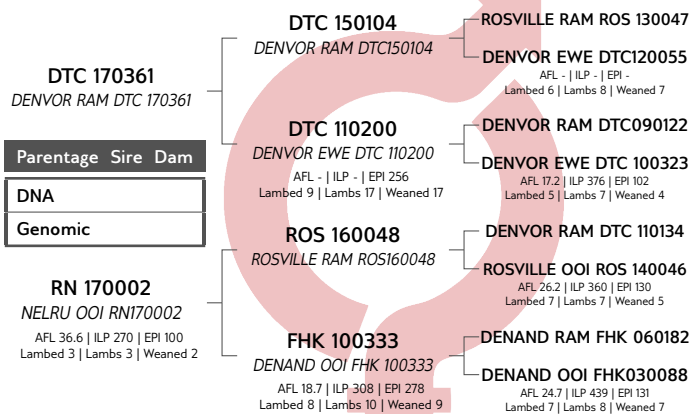


Herd Book	SP	
Birth date	2021-08-24	
Age	1.7 years	
Inbreeding	6.35%	
Birth Stat.	1	
AFL	ILP	EPI
-	-	-

L.R. NEL



rudinel0@gmail.com



Growth					Reproduction			
PreWn. Dir	PreWn. Mat.	Wn. Dir.	Wean. Mat.	Post-Wn.	NLW	TWW	AFL	ILP
125	86	121	91	124	91	91	95	91
63%	48%	62%	42%	46%	40%	40%	33%	30%



EBV Analysis 2023-04-04

Logix Merit Index	105
Growth Index	116
Reproduction Index	90

Birth Wt.	4kg
Pre-Wean	21.8kg (103)
Wean Wt.	32.1kg (95)
Post-Wean	-
Mature Wt.	-

SELLER REMARKS: V6 dogter, dragtig van Lexus, gedek 25/01/23. Goeie groei indekse.

LOT 9 EWE



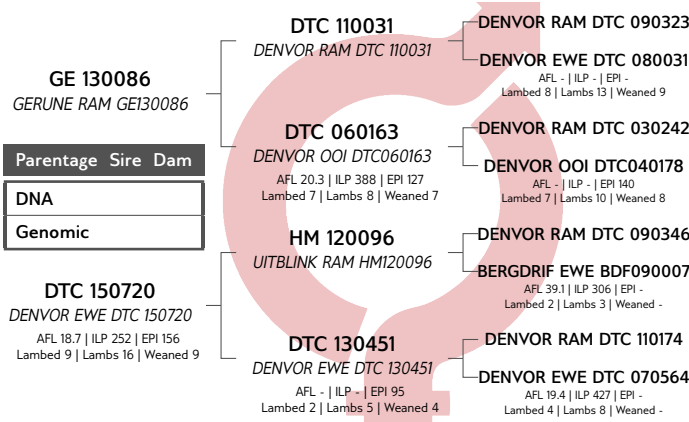
WCN 180083 WALCON EWE WCN180083



Herd Book	SP	
Birth date	2018-08-09	
Age	4.7 years	
Inbreeding	7.42%	
Birth Stat.	1	
AFL	ILP	EPI
35.5m	219d	100
Lambled	3	
Lambs	5	
Weaned	2	

WALCON

Wellington, Western Cape
0832647101
stefan@walcon.co.za



Growth					Reproduction			
PreWn. Dir	PreWn. Mat.	Wn. Dir.	Wean. Mat.	Post-Wn.	NLW	TWW	AFL	ILP
109	111	108	114	111	127	127	100	92
67%	60%	67%	52%	38%	50%	50%	38%	41%



EBV Analysis 2023-04-04

Logix Merit Index	130
Growth Index	115
Reproduction Index	127

Birth Wt.	-
Pre-Wean	21.5kg (106)
Wean Wt.	32kg (115)
Post-Wean	-
Mature Wt.	-

SELLER REMARKS: Oop - Uitstaande skou ooi - 2de in haar klas by 2022 SA's - LMI van 130 - Geloop by WCN210109 vanaf 11/04/22 tot 26/04/22



NASIONALE IDF ELITE VEILING

BLOEMSKOU GRONDE 29 April 2023



LOT 10 OOI



JC 210073

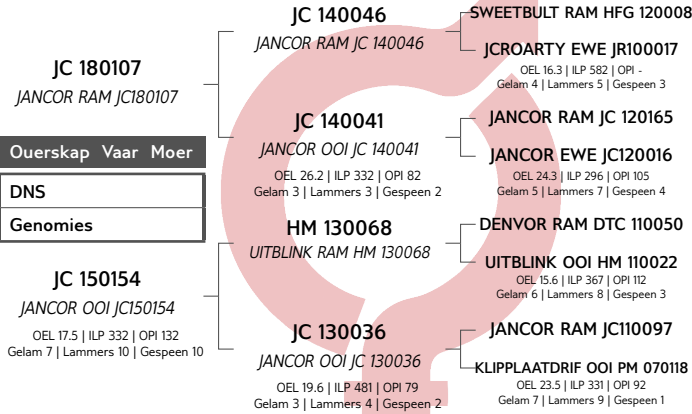
JANCOR EWE JC210073

Kuddeboek	SP	
Geb. dtm	2021-05-18	
Oud.	1.9 jaar	
Inteling	4.28%	
Geb. Status	1	
OEL	ILP	OPI
-	-	-

JANCOR IDF STOET



Amersfoort, Mpumalanga
0662999618
jancoridf@gmail.com



Groeï					Reproduksie			
VSpn. Dir	VSpn. Mat	Spn. Dir.	Spn. Mat.	Na-Spn.	GLS	TWW	OEL	ILP
101	90	101	88	100	99	99	107	105
64%	44%	63%	36%	46%	33%	33%	29%	28%



EBV Analise 2023-04-04

Logix Meriete Indeks	97
Groeï Indeks	94
Reproduksie Indeks	94

Geb. Gew.	-
Voorspeen	36.5kg (94)
Speen Gew.	48.4kg (115)
Na-Speen	-
Volw. Gew.	-

VERKOPER OPMERKINGS: Dragtig van DTC17462 (23 Nov DOB 20 April)

LOT 11 RAM



RN 210031

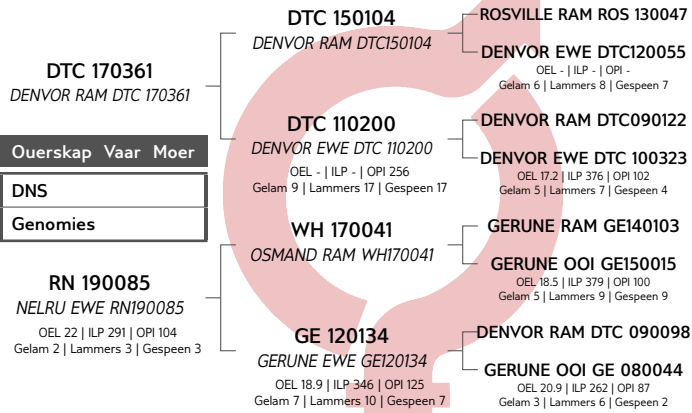
NELRU RAM RN210031

Kuddeboek	SP
Geb. dtm	2021-08-24
Oud.	1.7 jaar
Inteling	7.48%
Geb. Status	2
Nageslag	Geen

L.R. NEL



rudinel0@gmail.com



Groeï					Reproduksie			
VSpn. Dir	VSpn. Mat	Spn. Dir.	Spn. Mat.	Na-Spn.	GLS	TWW	OEL	ILP
136	80	136	90	136	89	89	93	85
64%	47%	63%	40%	45%	38%	38%	33%	29%



EBV Analise 2023-04-04

Logix Meriete Indeks	117
Groeï Indeks	134
Reproduksie Indeks	93

Geb. Gew.	4kg
Voorspeen	22.8kg (138)
Speen Gew.	40.2kg (129)
Na-Speen	-
Volw. Gew.	-

VERKOPER OPMERKINGS: 'n V6 seun. Swaarste gespeende lam vir 2021, ram dra baie vleis met uitstekende groeï (Groeï indekse). Deel van 'n 2ling.

LOT 12 RAM



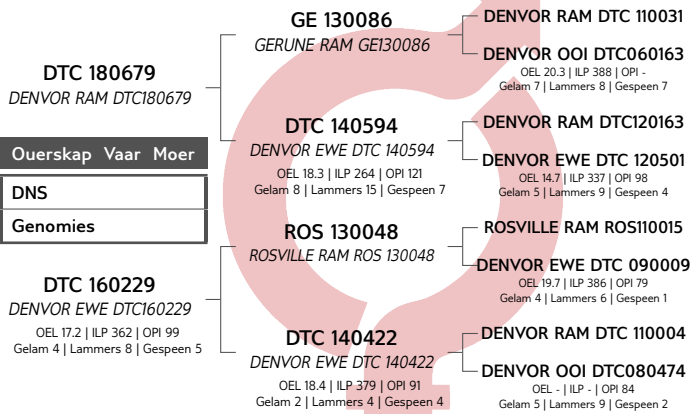
LR 200019

LA ROCHELLE RAM LR200019

Kuddeboek	SP
Geb. dtm	2020-07-23
Oud.	2.8 jaar
Inteling	6.37%
Geb. Status	2
Nageslag	In Kudde
In Kudde	46
Totaal	46
Kuddes Gebruik	1

GROOTVLAKTE BOERDERY PTY LTD

Somerset Oos, Eastern Cape
0823966495
tollie@isat.co.za



Groeï					Reproduksie			
VSpn. Dir	VSpn. Mat	Spn. Dir.	Spn. Mat.	Na-Spn.	GLS	TWW	OEL	ILP
107	81	116	83	112	124	124	108	104
86%	49%	84%	41%	29%	38%	38%	36%	28%



EBV Analise 2023-04-04

Logix Meriete Indeks	120
Groeï Indeks	102
Reproduksie Indeks	113

Geb. Gew.	-
Voorspeen	27.4kg (114)
Speen Gew.	40.8kg (90)
Na-Speen	-
Volw. Gew.	-

VERKOPER OPMERKINGS:



LOT 13 RAM

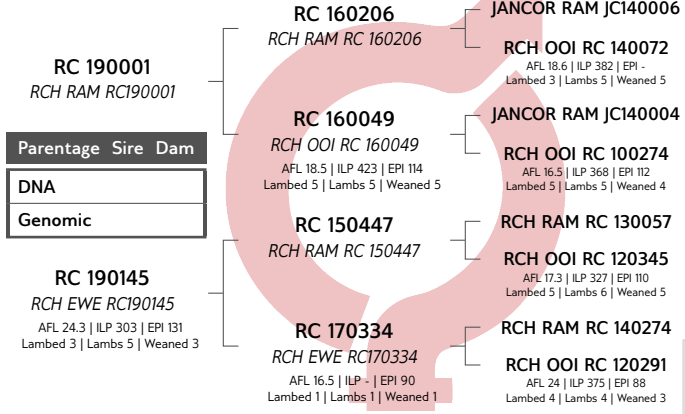
ZEL 210016

ZELLA RAM ZEL210016



Herd Book	SP
Birth date	2021-04-16
Age	2 years
Inbreeding	3.6%
Birth Stat.	2
Progeny	
In Herd	15
Total	15
Herds Used	1

F.J. PENN
0715693508
pennpumps@vodamail.co.za



Growth					Reproduction			
PreWn. Dir	PreWn. Mat.	Wn. Dir.	Wean Mat.	Post-Wn.	NLW	TWW	AFL	ILP
106	102	104	102	100	92	92	111	89
68%	39%	67%	33%	29%	32%	32%	27%	24%



EBV Analysis 2023-04-04

Logix Merit Index	99
Growth Index	106
Reproduction Index	93

Birth Wt.	5kg
Pre-Wean	17kg (100)
Wean Wt.	33.9kg (100)
Post-Wean	-
Mature Wt.	-

SELLER REMARKS:

LOT 14 RAM

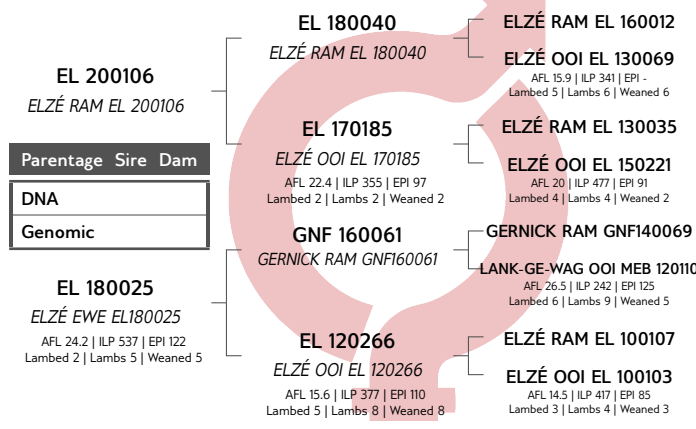
HN 210079

PINNACLE RAM HN210079



Herd Book	SP
Birth date	2021-10-22
Age	1.5 years
Inbreeding	3.94%
Birth Stat.	2
Progeny	
None	

PINNACLE STUDS PTY LTD
Ladybrand, Free State
0824102401
pinnacle.santas@gmail.com



Growth					Reproduction			
PreWn. Dir	PreWn. Mat.	Wn. Dir.	Wean Mat.	Post-Wn.	NLW	TWW	AFL	ILP
100	114	105	116	102	109	109	100	89
55%	30%	53%	25%	20%	24%	24%	21%	18%



EBV Analysis 2023-04-04

Logix Merit Index	113
Growth Index	111
Reproduction Index	114

Birth Wt.	4kg
Pre-Wean	24.7kg (107)
Wean Wt.	39.3kg (113)
Post-Wean	-
Mature Wt.	-

SELLER REMARKS: Young ram with a lot of potential. Have a look at his figures and pedigree.

LOT 15 RAM

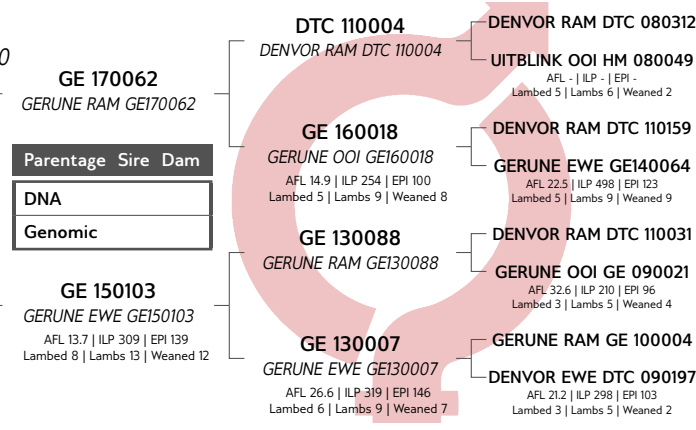
WG 210080

WILGERSTROOM RAM WG210080



Herd Book	SP
Birth date	2021-07-06
Age	1.8 years
Inbreeding	5.31%
Birth Stat.	1
Progeny	
None	

WILGERSTROOM BOERDERY
Potchefstroom, North West
0824441855
kleinbegin91@gmail.com



Growth					Reproduction			
PreWn. Dir	PreWn. Mat.	Wn. Dir.	Wean Mat.	Post-Wn.	NLW	TWW	AFL	ILP
106	91	103	89	101	126	126	101	100
66%	46%	65%	39%	52%	38%	38%	29%	26%



EBV Analysis 2023-04-04

Logix Merit Index	118
Growth Index	99
Reproduction Index	111

Birth Wt.	-
Pre-Wean	12.2kg (90)
Wean Wt.	28.1kg (89)
Post-Wean	42.6kg (107)
Mature Wt.	-

SELLER REMARKS:



NASIONALE IDF ELITE VEILING
BLOEMSKOU GRONDE 29 April 2023



LOT 16 001

HW 220009

HENLIN EWE HW220009



Kuddeboek	SP	
Geb. dtm	2022-02-17	
Oud.	1.2 jaar	
Inteling	3.9%	
Geb. Status	2	
OEL	ILP	OPI
-	-	-

HENLIN STOETERY



Reitz, Free State
0721711573
wbhbdy@gmail.com

ROS 200049
ROSVILLE RAM ROS200049

Ouerskap Vaar Moer

DNS

Genomies

HW 200025
HENLIN EWE HW200025

OEL 18.6 | ILP 243 | OPI 99
Gelat 2 | Lammers 3 | Gespeen 3

GNF 160043
GERNICK RAM GNF160043

ROS 180013
ROSVILLE EWE ROS180013

OEL 16.2 | ILP 352 | OPI 111
Gelat 4 | Lammers 5 | Gespeen 2

GE 140037
GERUNE RAM GE140037

AJN 160002
ELDORADO EWE AJN160002

OEL 22.6 | ILP 263 | OPI 113
Gelat 5 | Lammers 8 | Gespeen 5

GERNICK RAM GNF140069
LANK-GE-WAG 001 MEB 120002
OEL 26 | ILP 226 | OPI -
Gelat 6 | Lammers 7 | Gespeen 3

ROSVILLE RAM ROS 130072

ROSVILLE EWE ROS120036
OEL 24.7 | ILP 339 | OPI 77
Gelat 4 | Lammers 6 | Gespeen 2

GERUNE RAM GE120062
GERUNE EWE GE120090
OEL 21.2 | ILP 339 | OPI 129
Gelat 7 | Lammers 9 | Gespeen 8

DENVOR RAM DTC 110158

ELDORADO 001 AJN 110009
OEL 21.3 | ILP 505 | OPI 115
Gelat 5 | Lammers 8 | Gespeen 6

Groeï					Reproduksie			
VSpn. Dir	VSpn. Mat	Spn. Dir.	Spn. Mat.	Na-Spn.	GLS	TWW	OEL	ILP
75	97	64	90	73	96	96	109	102
58%	37%	56%	31%	25%	28%	28%	24%	22%

LOGIX
GENETICS
EBV Analise 2023-04-04

Logix Meriete Indeks	67	Geb. Gew.	-
Groeï Indeks	64	Voorspeen	20kg (101)
Reproduksie Indeks	80	Speen Gew.	25.4kg (96)
		Na-Speen	-
		Volw. Gew.	-

VERKOPER OPMERKINGS:

LOT 17 001

WG 200300

WILGERSTROOM 001 WG200300



Kuddeboek	SP	
Geb. dtm	2020-09-18	
Oud.	2.6 jaar	
Inteling	3.35%	
Geb. Status	2	
OEL	ILP	OPI
-	-	-

WILGERSTROOM BOERDERY



Potchefstroom, North West
0824441855
kleinbegin91@gmail.com

RC 170062
RCH RAM RC 170062

Ouerskap Vaar Moer

DNS

Genomies

GE 150103
GERUNE EWE GE150103

OEL 13.7 | ILP 309 | OPI 139
Gelat 8 | Lammers 13 | Gespeen 12

JC 140006
JANCOR RAM JC140006

RC 150326
RCH OOI RC 150326

OEL 17.8 | ILP - | OPI 90
Gelat 1 | Lammers 2 | Gespeen 2

GE 130088
GERUNE RAM GE130088

GE 130007
GERUNE EWE GE130007

OEL 26.6 | ILP 319 | OPI 146
Gelat 6 | Lammers 9 | Gespeen 7

DENVOR RAM DTC090122

ALBELLO 001 AB090005
OEL 16.2 | ILP 491 | OPI -
Gelat 6 | Lammers 8 | Gespeen 3

RCH RAM RC 130028

RCH OOI RC 100098
OEL 18.5 | ILP 363 | OPI 146
Gelat 6 | Lammers 9 | Gespeen 9

DENVOR RAM DTC 110031

GERUNE OOI GE 090021
OEL 32.6 | ILP 210 | OPI 96
Gelat 3 | Lammers 5 | Gespeen 4

GERUNE RAM GE 100004

DENVOR EWE DTC 090197
OEL 21.2 | ILP 298 | OPI 103
Gelat 3 | Lammers 5 | Gespeen 2

Groeï					Reproduksie			
VSpn. Dir	VSpn. Mat	Spn. Dir.	Spn. Mat.	Na-Spn.	GLS	TWW	OEL	ILP
89	93	91	90	98	122	122	88	90
48%	41%	58%	37%	42%	34%	34%	27%	25%

LOGIX
GENETICS
EBV Analise 2023-04-04

Logix Meriete Indeks	97	Geb. Gew.	-
Groeï Indeks	86	Voorspeen	15.8kg (118)
Reproduksie Indeks	99	Speen Gew.	28.8kg (108)
		Na-Speen	33.7kg (110)
		Volw. Gew.	-

VERKOPER OPMERKINGS: Dragtig van FJ18-050

LOT 18 001

LR 220054

LA ROCHELLE EWE LR220054



Kuddeboek	SP	
Geb. dtm	2022-04-16	
Oud.	1 jaar	
Inteling	4.9%	
Geb. Status	1	
OEL	ILP	OPI
-	-	-

GROOTVLAKTE BOERDERY PTY LTD

Somerset Oos, Eastern Cape
0823966495
tollie@isat.co.za

LR 200019
LA ROCHELLE RAM LR200019

Ouerskap Vaar Moer

DNS

Genomies

XRZ 150058
RINDRE EWE XRZ150058

OEL 18.9 | ILP 1727 | OPI 100
Gelat 3 | Lammers 3 | Gespeen 3

DTC 180679
DENVOR RAM DTC180679

DTC 160229
DENVOR EWE DTC160229

OEL 17.2 | ILP 362 | OPI 99
Gelat 4 | Lammers 8 | Gespeen 5

LB 120009
L'OR BLANC RAM LB120009

XRZ 140012
RINDRE OOI XRZ 140012

OEL 19.6 | ILP 700 | OPI 101
Gelat 2 | Lammers 3 | Gespeen 3

GERUNE RAM GE130086

DENVOR EWE DTC 140594
OEL 18.3 | ILP 264 | OPI -
Gelat 8 | Lammers 15 | Gespeen 7

ROSVILLE RAM ROS 130048

DENVOR EWE DTC 140422
OEL 18.4 | ILP 379 | OPI 91
Gelat 2 | Lammers 4 | Gespeen 4

DENVOR RAM DTC 030011

L'OR BLANC OOI LB 050028
OEL 17.9 | ILP 379 | OPI 160
Gelat 7 | Lammers 11 | Gespeen 5

LEANDOUX RAM WY120067

LEANDOUX OOI WY 090973
OEL 20.9 | ILP 366 | OPI 100
Gelat 7 | Lammers 13 | Gespeen 9

Groeï					Reproduksie			
VSpn. Dir	VSpn. Mat	Spn. Dir.	Spn. Mat.	Na-Spn.	GLS	TWW	OEL	ILP
98	94	106	94	104	117	117	106	99
61%	36%	60%	29%	16%	27%	27%	24%	18%

LOGIX
GENETICS
EBV Analise 2023-04-04

Logix Meriete Indeks	111	Geb. Gew.	3kg
Groeï Indeks	100	Voorspeen	21.7kg (97)
Reproduksie Indeks	109	Speen Gew.	40.8kg (96)
		Na-Speen	-
		Volw. Gew.	-

VERKOPER OPMERKINGS: Moontlik dragtig van LR200055 - dogter van LR200019 met baie goeie syfers.



NASIONALE IDF ELITE VEILING

BLOEMSKOU GRONDE 29 April 2023



LOT 19 EWE



PINNACLE STUDS PTY LTD



Ladybrand, Free State
0824102401
pinnacle.santas@gmail.com



HN 220001

PINNACLE EWE HN220001

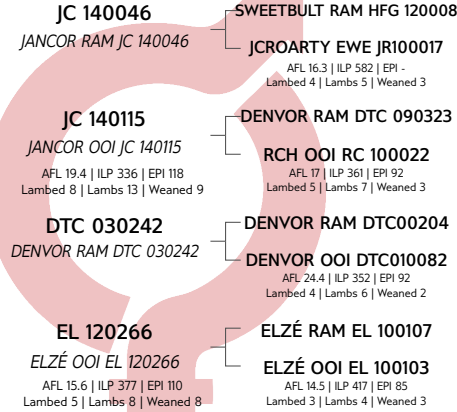
Herd Book	SP	
Birth date	2022-03-18	
Age	1.1 years	
Inbreeding	3.83%	
Birth Stat.	2	
AFL	ILP	EPI
-	-	-

JC 190010
JANCOR RAM JC190010

Parentage Sire Dam
DNA
Genomic

EL 140021
ELZÉ OOI EL 140021

AFL 26.8 | ILP 353 | EPI 133
Lambd 7 | Lams 12 | Weaned 12



Growth					Reproduction			
PreWn. Dir	PreWn. Mat.	Wn. Dir.	Wean Mat.	Post-Wn.	NLW	TWW	AFL	ILP
116	92	117	95	117	111	111	94	86
66%	45%	64%	39%	54%	38%	38%	31%	29%



EBV Analysis 2023-04-04

Logix Merit Index	115
Growth Index	113
Reproduction Index	103

Birth Wt.	4kg
Pre-Wean	20.7kg (114)
Wean Wt.	37.8kg (114)
Post-Wean	54.8kg (106)
Mature Wt.	-

SELLER REMARKS: JC19-10 daughter out of my best ewes. Been running with ram HN21-79 from 14/02/2023 - Pregnancy to be confirmed.

LOT 20 EWE



HAGELAND ILE DE FRANCE PTY LTD

Klerksdorp, North West
0832787784
flip@ncsa.co.za



BS 210504

HAGELAND EWE BS210504

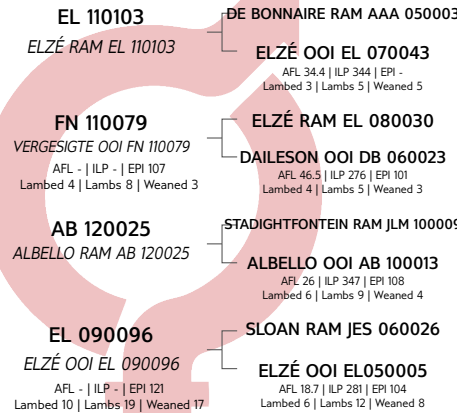
Herd Book	SP	
Birth date	2021-12-28	
Age	1.3 years	
Inbreeding	4.89%	
Birth Stat.	2	
AFL	ILP	EPI
-	-	-

BS 190349
HAGELAND RAM BS190349

Parentage Sire Dam
DNA
Genomic

BS 170045
RIVER NORTH OOI BS 170045

AFL 23.7 | ILP 364 | EPI 130
Lambd 4 | Lams 8 | Weaned 8



Growth					Reproduction			
PreWn. Dir	PreWn. Mat.	Wn. Dir.	Wean Mat.	Post-Wn.	NLW	TWW	AFL	ILP
96	103	100	103	98	103	103	106	116
64%	43%	63%	39%	26%	36%	36%	31%	28%



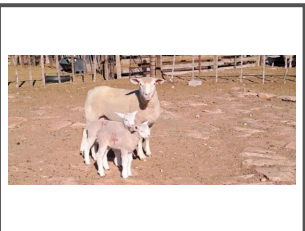
EBV Analysis 2023-04-04

Logix Merit Index	107
Growth Index	100
Reproduction Index	113

Birth Wt.	5kg
Pre-Wean	24.6kg (102)
Wean Wt.	49kg (101)
Post-Wean	-
Mature Wt.	-

SELLER REMARKS: Met 1 ooi lam

LOT 21 EWE



GERUNE FAMILIE TRUST

Stella, North West
gerritera@vodamail.co.za



GE 210061

GERUNE EWE GE210061

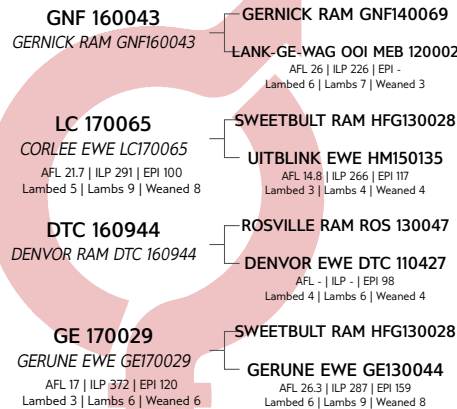
Herd Book	SP	
Birth date	2021-06-26	
Age	1.8 years	
Inbreeding	8.42%	
Birth Stat.	2	
AFL	ILP	EPI
-	-	-

LC 190035
CORLEE RAM LC190035

Parentage Sire Dam
DNA
Genomic

GE 180135
GERUNE EWE GE180135

AFL 19.9 | ILP 348 | EPI 101
Lambd 3 | Lams 4 | Weaned 2



Growth					Reproduction			
PreWn. Dir	PreWn. Mat.	Wn. Dir.	Wean Mat.	Post-Wn.	NLW	TWW	AFL	ILP
102	92	97	91	101	108	108	100	77
58%	36%	57%	30%	24%	27%	27%	23%	22%



EBV Analysis 2023-04-04

Logix Merit Index	94
Growth Index	94
Reproduction Index	87

Birth Wt.	3kg
Pre-Wean	18.4kg (83)
Wean Wt.	24kg (94)
Post-Wean	-
Mature Wt.	-

SELLER REMARKS: 2ling lammers - Pa GE210012



LOT 22 OOI

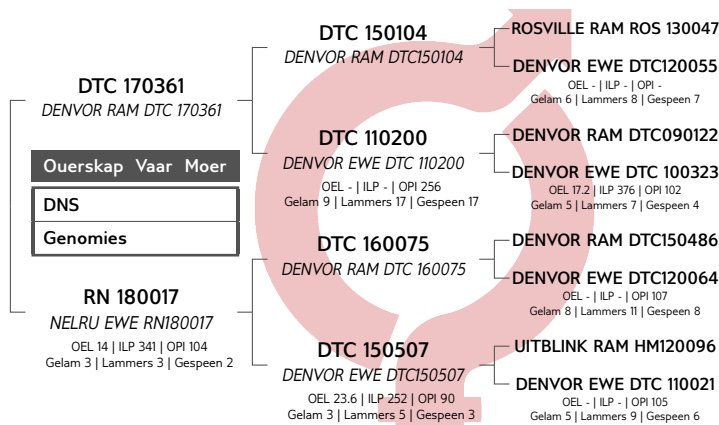


L.R. NEL
rudinel0@gmail.com



RN 210008
NELRU EWE RN210008

Kuddeboek	SP	
Geb. dtm	2021-08-21	
Oud.	1.7 jaar	
Inteling	9.09%	
Geb. Status	1	
OEL	ILP	OPI
-	-	-



Groeï					Reproduksie			
VSpn. Dir	VSpn. Mat	Spn. Dir.	Spn. Mat.	Na-Spn.	GLS	TWW	OEL	ILP
125	90	127	96	133	87	87	88	89
64%	48%	63%	41%	46%	39%	39%	34%	30%

Logix Meriete Indeks	105
Groeï Indeks	122
Reproduksie Indeks	91

Geb. Gew.	-
Voorspeen	20.8kg (99)
Speen Gew.	32.6kg (96)
Na-Speen	-
Volw. Gew.	-

VERKOPER OPMERKINGS: V6 dogter. Dragtig van Lexus, gedek 25/01/23. Uitstekende groeï indekse

LOT 23 OOI

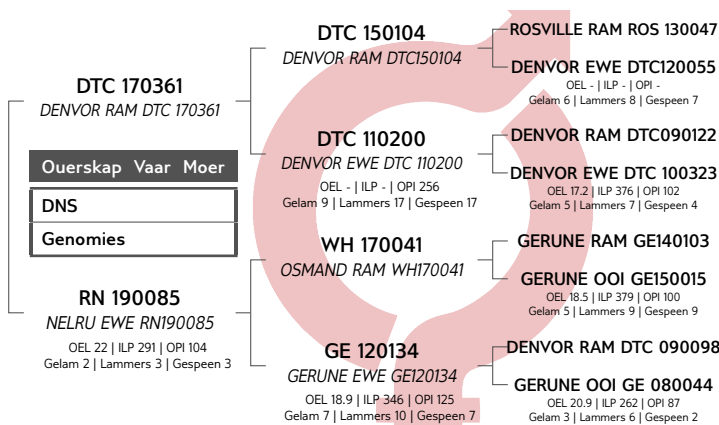


L.R. NEL
rudinel0@gmail.com



RN 220049
NELRU EWE RN220049

Kuddeboek	SP	
Geb. dtm	2022-06-11	
Oud.	11 maande	
Inteling	7.48%	
Geb. Status	1	
OEL	ILP	OPI
-	-	-



Groeï					Reproduksie			
VSpn. Dir	VSpn. Mat	Spn. Dir.	Spn. Mat.	Na-Spn.	GLS	TWW	OEL	ILP
128	83	130	90	136	89	89	93	85
64%	47%	63%	40%	45%	38%	38%	33%	29%

Logix Meriete Indeks	106
Groeï Indeks	122
Reproduksie Indeks	88

Geb. Gew.	4kg
Voorspeen	19.1kg (107)
Speen Gew.	30.5kg (99)
Na-Speen	-
Volw. Gew.	-

VERKOPER OPMERKINGS: Oop. 'n Mooi V6 dogter. 10mnde oud. Haar ma teel vir my baie goed.

LOT 24 OOI

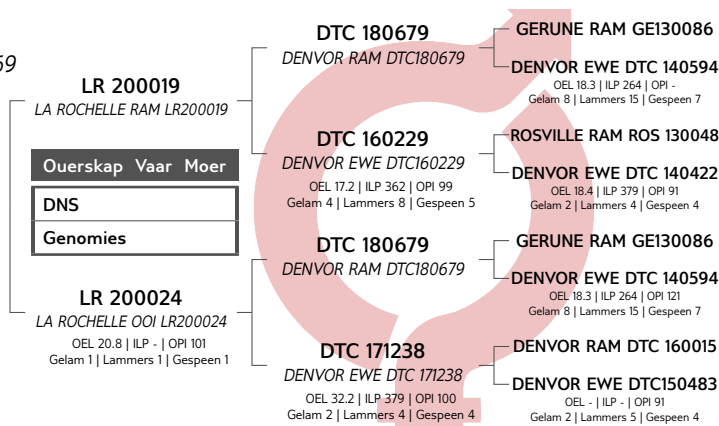


GROOTVLAKTE BOERDERY PTY LTD
Somerset Oos, Eastern Cape
0823966495
tollie@isat.co.za



LR 220069
LA ROCHELLE EWE LR220069

Kuddeboek	SP	
Geb. dtm	2022-04-17	
Oud.	1 jaar	
Inteling	18.9%	
Geb. Status	1	
OEL	ILP	OPI
-	-	-



Groeï					Reproduksie			
VSpn. Dir	VSpn. Mat	Spn. Dir.	Spn. Mat.	Na-Spn.	GLS	TWW	OEL	ILP
110	95	114	98	110	120	120	113	109
60%	35%	59%	29%	20%	27%	27%	26%	19%

Logix Meriete Indeks	128
Groeï Indeks	111
Reproduksie Indeks	123

Geb. Gew.	-
Voorspeen	22.5kg (101)
Speen Gew.	47kg (110)
Na-Speen	-
Volw. Gew.	-

VERKOPER OPMERKINGS: Moontlik dragtig van LR200055 - dogter van LR200019 met baie goeie syfers.



NASIONALE IDF ELITE VEILING

BLOEMSKOU GRONDE 29 April 2023



LOT 25 RAM



CLARKE SD & TA

Stanford, Western Cape
bclarke@mweb.co.za



DTC 210013

DENVOR RAM DTC210013

Herd Book	SP
Birth date	2021-01-18
Age	2.3 years
Inbreeding	9.05%
Birth Stat.	1
Progeny	
In Herd	9
Total	10
Herds Used	2

DTC 190120
DENVOR RAM DTC190120

Parentage Sire Dam

DNA

Genomic

DTC 150026
DENVOR EWE DTC150026
AFL 24.5 | ILP 319 | EPI 138
Lambd 7 | Lams 8 | Weaned 7

DTC 170339
DENVOR RAM DTC 170339

DTC 170328
DENVOR EWE DTC 170328
AFL 21.7 | ILP 322 | EPI 90
Lambd 4 | Lams 6 | Weaned 4

ROS 130048
ROSVILLE RAM ROS 130048

DTC 090353
DENVOR EWE DTC 090353
AFL - | ILP - | EPI 91
Lambd 5 | Lams 7 | Weaned 4

DENVOR RAM DTC150104
DENVOR EWE DTC 110200
AFL - | ILP - | EPI -
Lambd 9 | Lams 17 | Weaned 17

DENVOR RAM DTC 150862
DENVOR EWE DTC 160378
AFL 17.1 | ILP 421 | EPI 79
Lambd 5 | Lams 7 | Weaned 2

ROSVILLE RAM ROS110015
DENVOR EWE DTC 090009
AFL 19.7 | ILP 386 | EPI 79
Lambd 4 | Lams 6 | Weaned 1

SANRIC RAM S020026
DENVOR OOI DTC020331
AFL - | ILP - | EPI -
Lambd 4 | Lams 6 | Weaned 5

Growth					Reproduction			
PreWn. Dir	PreWn. Mat.	Wn. Dir.	Wean Mat.	Post-Wn.	NLW	TWW	AFL	ILP
117	93	117	97	136	85	85	83	93
72%	44%	71%	35%	58%	35%	35%	28%	26%



EBV Analysis 2023-04-04

Logix Merit Index **95**

Growth Index **114**

Reproduction Index **88**

Birth Wt.	-
Pre-Wean	21.4kg (109)
Wean Wt.	33.7kg (107)
Post-Wean	50.4kg (101)
Mature Wt.	-

SELLER REMARKS: 2 de geplaas SA kampioenskappe 2022 - 'n seun van Victor - DTC 9120

LOT 26 RAM



GERUNE FAMILIE TRUST

Stella, North West
gerritera@vodamail.co.za



GE 220014

GERUNE RAM GE220014

Herd Book	SP
Birth date	2022-04-18
Age	1 years
Inbreeding	6.11%
Birth Stat.	1
Progeny	
None	

JC 160034
JANCOR RAM JC160034

Parentage Sire Dam

DNA

Genomic

GE 170005
GERUNE EWE GE170005
AFL 17.9 | ILP 346 | EPI 109
Lambd 5 | Lams 7 | Weaned 6

JC 140046
JANCOR RAM JC 140046

JC 120054
JANCOR OOI JC 120054
AFL - | ILP - | EPI 91
Lambd 4 | Lams 3 | Weaned 1

HFG 130028
SWEETBULT RAM HFG130028

GE 120082
GERUNE EWE GE120082
AFL 20.9 | ILP 333 | EPI 96
Lambd 3 | Lams 5 | Weaned 4

SWEETBULT RAM HFG 120008
JCROARTY EWE JR100017
AFL 16.3 | ILP 582 | EPI -
Lambd 4 | Lams 5 | Weaned 3

LANK-GE-WAG RAM MEB 100004
KLIPPLAATDRIF OOI PM 081020
AFL 46.4 | ILP 292 | EPI -
Lambd 2 | Lams 3 | Weaned -

CAMELIA RAM PRD090001
SWEETBULT OOI HFG 100018
AFL 40.6 | ILP 331 | EPI 108
Lambd 4 | Lams 6 | Weaned 5

VAALKOP RAM VA 050009
GERUNE OOI GE 110011
AFL 15.8 | ILP - | EPI 100
Lambd 1 | Lams 2 | Weaned 2

Growth					Reproduction			
PreWn. Dir	PreWn. Mat.	Wn. Dir.	Wean Mat.	Post-Wn.	NLW	TWW	AFL	ILP
108	80	104	79	101	99	99	94	82
64%	50%	64%	44%	43%	40%	40%	34%	34%



EBV Analysis 2023-04-04

Logix Merit Index **89**

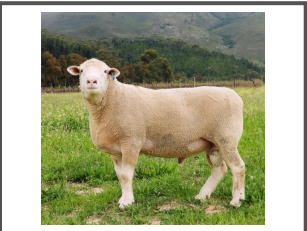
Growth Index **94**

Reproduction Index **77**

Birth Wt.	5kg
Pre-Wean	31.4kg (99)
Wean Wt.	42.8kg (101)
Post-Wean	-
Mature Wt.	-

SELLER REMARKS: Seun van SA Kampioen Ram 2018

LOT 27 RAM



WALCON

Wellington, Western Cape
0832647101
stefan@walcon.co.za



DTC 200148

DENVOR RAM DTC 200148

Herd Book	SP
Birth date	2020-07-03
Age	2.8 years
Inbreeding	5.75%
Birth Stat.	1
Progeny	
In Herd	56
Total	58
Herds Used	2

JC 170009
JANCOR RAM JC170009

Parentage Sire Dam

DNA

Genomic

DTC 190011
DENVOR OOI DTC190011
AFL 16.7 | ILP 285 | EPI 99
Lambd 4 | Lams 5 | Weaned 3

JC 140046
JANCOR RAM JC 140046

JC 150121
JANCOR EWE JC150121
AFL 14.1 | ILP 411 | EPI 114
Lambd 6 | Lams 8 | Weaned 8

DTC 170156
DENVOR RAM DTC170156

DTC 170130
DENVOR EWE DTC 170130
AFL 22.7 | ILP 179 | EPI 86
Lambd 3 | Lams 3 | Weaned 1

SWEETBULT RAM HFG 120008
JCROARTY EWE JR100017
AFL 16.3 | ILP 582 | EPI -
Lambd 4 | Lams 5 | Weaned 3

SWEETBULT RAM HFG 120008
JANCOR OOI JC110016
AFL 22.8 | ILP 722 | EPI 80
Lambd 2 | Lams 2 | Weaned 1

UITBLINK RAM HM150052
DENVOR OOI DTC140152
AFL 19.8 | ILP 263 | EPI 107
Lambd 5 | Lams 7 | Weaned 7

DENVOR RAM DTC150451
DENVOR EWE DTC130135
AFL - | ILP - | EPI 97
Lambd 3 | Lams 4 | Weaned 3

Growth					Reproduction			
PreWn. Dir	PreWn. Mat.	Wn. Dir.	Wean Mat.	Post-Wn.	NLW	TWW	AFL	ILP
110	83	124	85	118	99	99	99	103
69%	44%	68%	37%	52%	35%	35%	29%	27%



EBV Analysis 2023-04-04

Logix Merit Index **108**

Growth Index **110**

Reproduction Index **99**

Birth Wt.	-
Pre-Wean	18.9kg (88)
Wean Wt.	37.1kg (100)
Post-Wean	54kg (98)
Mature Wt.	-

SELLER REMARKS: Stoetvaar met nageslag op die skou - Gebalanseerde ram



LOT 28 RAM



WILGERSTROOM BOERDERY



Potchefstroom, North West
0824441855
kleinbegin91@gmail.com



WG 210173

WILGERSTROOM RAM WG 210173

Kuddeboek	SP
Geb. dtm	2021-07-18
Oud.	1.8 jaar
Inteling	4.83%
Geb. Status	2
Nageslag	
Geen	

GE 170062
GERUNE RAM GE170062

Ouerskap	Vaar	Moer
DNS		
Genomies		

ROS 180033
ROSVILLE EWE ROS180033

OEL 21 | ILP 468 | OPI 96
Gelam 3 | Lammers 5 | Gespeen 3

DTC 110004
DENVOR RAM DTC 110004

GE 160018
GERUNE OOI GE160018

OEL 14.9 | ILP 254 | OPI 100
Gelam 5 | Lammers 9 | Gespeen 8

DTC 150085
DENVOR RAM DTC150085

ROS 160011
ROSVILLE EWE ROS160011

OEL 25.7 | ILP 373 | OPI 92
Gelam 2 | Lammers 6 | Gespeen 3

DENVOR RAM DTC 080312
UITBLINK OOI HM 080049

OEL - | ILP - | OPI -
Gelam 5 | Lammers 6 | Gespeen 2

DENVOR RAM DTC 110159
GERUNE EWE GE140064

OEL 22.5 | ILP 498 | OPI 123
Gelam 5 | Lammers 9 | Gespeen 9

DENVOR RAM DTC 090201
DENVOR EWE DTC120227

OEL - | ILP - | OPI 111
Gelam 11 | Lammers 16 | Gespeen 8

SWEETBULT RAM HFG130028
SWEETBULT OOI HFG 110019

OEL 15.9 | ILP 337 | OPI 130
Gelam 6 | Lammers 8 | Gespeen 7

Groeï				Reproduksie				
VSpn. Dir	VSpn. Mat	Spn. Dir.	Spn. Mat.	Na-Spn.	GLS	TWW	OEL	ILP
114	91	108	92	107	120	120	103	101
56%	42%	56%	36%	45%	35%	35%	30%	27%



EBV Analise 2023-04-04

Logix Meriete Indeks	121
Groeï Indeks	106
Reproduksie Indeks	113

Geb. Gew.	-
Voorspeen	11.2kg (83)
Speen Gew.	26.5kg (87)
Na-Speen	38.9kg (98)
Volw. Gew.	-

VERKOPER OPMERKINGS:

LOT 29 RAM



GROOTVLAKTE BOERDERY PTY LTD

Somerset Oos, Eastern Cape
0823966495
tollie@sat.co.za



LR 200101

LA ROCHELLE RAM LR200101

Kuddeboek	SP
Geb. dtm	2020-09-15
Oud.	2.6 jaar
Inteling	7.95%
Geb. Status	1
Nageslag	
Geen	

DTC 180882
DENVOR RAM DTC 180882

Ouerskap Vaar Moer

DNS		
Genomies		

DTC 160849
DENVOR EWE DTC 160849

OEL 24.8 | ILP 348 | OPI 101
Gelam 4 | Lammers 5 | Gespeen 4

JC 150060
JANCOR RAM JC150060

DTC 170652
DENVOR EWE DTC 170652

OEL 17.7 | ILP 307 | OPI 138
Gelam 5 | Lammers 9 | Gespeen 6

DTC 140017
DENVOR RAM DTC 140017

DTC 150388
DENVOR EWE DTC150388

OEL 16.5 | ILP 310 | OPI 124
Gelam 6 | Lammers 8 | Gespeen 6

SWEETBULT RAM HFG 130035
JANCOR EWE JC120016

OEL 24.3 | ILP 296 | OPI -
Gelam 5 | Lammers 7 | Gespeen 4

DENVOR RAM DTC150056
DENVOR EWE DTC 140300

OEL 19.4 | ILP 301 | OPI 108
Gelam 4 | Lammers 8 | Gespeen 7

DENVOR RAM DTC 110218
DENVOR EWE DTC 090086

OEL 25.1 | ILP 300 | OPI 125
Gelam 7 | Lammers 15 | Gespeen 5

ROSVILLE RAM ROS 130048
DENVOR EWE DTC 130750

OEL - | ILP - | OPI 100
Gelam 3 | Lammers 4 | Gespeen 4

Groeï				Reproduksie				
VSpn. Dir	VSpn. Mat	Spn. Dir.	Spn. Mat.	Na-Spn.	GLS	TWW	OEL	ILP
96	103	92	105	97	96	96	85	108
64%	42%	62%	36%	29%	34%	34%	30%	25%



EBV Analise 2023-04-04

Logix Meriete Indeks	94
Groeï Indeks	96
Reproduksie Indeks	100

Geb. Gew.	-
Voorspeen	25kg (94)
Speen Gew.	57.4kg (111)
Na-Speen	-
Volw. Gew.	-

VERKOPER OPMERKINGS:

LOT 30 RAM



WALCON

Wellington, Western Cape
0832647101
stefan@walcon.co.za



WCN 200140

WALCON RAM WCN200140

Kuddeboek	SP
Geb. dtm	2020-08-30
Oud.	2.7 jaar
Inteling	8.27%
Geb. Status	1
Nageslag	
In Kudde	38
Totaal	64
Kuddes Gebruik	4

DTC 180023
DENVOR RAM DTC180023

Ouerskap Vaar Moer

DNS		
Genomies		

DTC 170596
DENVOR EWE DTC 170596

OEL 17.3 | ILP 299 | OPI 134
Gelam 6 | Lammers 7 | Gespeen 5

JC 150060
JANCOR RAM JC150060

DTC 130158
DENVOR EWE DTC130158

OEL - | ILP - | OPI 109
Gelam 8 | Lammers 12 | Gespeen 9

DTC 150451
DENVOR RAM DTC150451

DTC 130596
DENVOR EWE DTC 130596

OEL - | ILP - | OPI 118
Gelam 8 | Lammers 11 | Gespeen 10

SWEETBULT RAM HFG 130035
JANCOR EWE JC120016

OEL 24.3 | ILP 296 | OPI -
Gelam 5 | Lammers 7 | Gespeen 4

DENVOR RAM DTC 100046
DENVOR EWE DTC 110193

OEL - | ILP - | OPI 103
Gelam 5 | Lammers 5 | Gespeen 4

UITBLINK RAM HM 130095
DENVOR EWE DTC130126

OEL - | ILP - | OPI 88
Gelam 11 | Lammers - | Gespeen -

DENVOR RAM DTC 110174
DENVOR EWE DTC 120459

OEL 14.7 | ILP 277 | OPI 78
Gelam 2 | Lammers 3 | Gespeen -

Groeï				Reproduksie				
VSpn. Dir	VSpn. Mat	Spn. Dir.	Spn. Mat.	Na-Spn.	GLS	TWW	OEL	ILP
118	100	126	104	117	85	85	82	84
82%	45%	80%	37%	30%	35%	35%	30%	26%



EBV Analise 2023-04-04

Logix Meriete Indeks	104
Groeï Indeks	124
Reproduksie Indeks	92

Geb. Gew.	-
Voorspeen	31.7kg (123)
Speen Gew.	41.2kg (107)
Na-Speen	-
Volw. Gew.	-

VERKOPER OPMERKINGS: Stoetvaar met nageslag op die skou - baie lengte en vleis



NASIONALE IDF ELITE VEILING

BLOEMSKOU GRONDE 29 April 2023



LOT 31 RAM

WG 210127

WILGERSTROOM RAM WG 210127



Herd Book	SP
Birth date	2021-07-12
Age	1.8 years
Inbreeding	3.49%
Birth Stat.	2
Progeny	None

WILGERSTROOM BOERDERY



Potchefstroom, North West
0824441855
kleinbegin91@gmail.com

GE 170062
GERUNE RAM GE170062
Parentage Sire Dam
DNA
Genomic

RC 190318
RCH EWE RC190318
AFL 21.1 ILP - EPI 94
Lambd 1 Lambs 2 Weaned 2

DTC 110004
DENVOR RAM DTC 110004

GE 160018
GERUNE OOI GE160018
AFL 14.9 | ILP 254 | EPI 100
Lambd 5 | Lambs 9 | Weaned 8

RC 170253
RCH RAM RC170253

RC 180178
RCH EWE RC180178
AFL 18.3 | ILP - | EPI 90
Lambd 1 | Lambs 1 | Weaned 1

DENVOR RAM DTC 080312
UITBLINK OOI HM 080049
AFL - | ILP - | EPI -
Lambd 5 | Lambs 6 | Weaned 2

DENVOR RAM DTC 110159
GERUNE EWE GE140064
AFL 22.5 | ILP 498 | EPI 123
Lambd 5 | Lambs 9 | Weaned 9

RCH RAM RC 130102
RCH OOI RC 110088
AFL 19 | ILP 364 | EPI 152
Lambd 6 | Lambs 11 | Weaned 10

NOFEAR RAM JAC94067
RCH OOI RC 160274
AFL 17.2 | ILP 475 | EPI 92
Lambd 3 | Lambs 4 | Weaned 3

Growth					Reproduction			
PreWn. Dir	PreWn. Mat.	Wn. Dir.	Wean Mat.	Post-Wn.	NLW	TWW	AFL	ILP
94	87	94	84	90	119	119	99	100
62%	42%	61%	35%	54%	33%	33%	30%	23%



EBV Analysis 2023-04-04

Logix Merit Index	101
Growth Index	86
Reproduction Index	100

Birth Wt.	5kg
Pre-Wean	11.4kg (84)
Wean Wt.	27.7kg (87)
Post-Wean	44.6kg (112)
Mature Wt.	-

SELLER REMARKS:

LOT 32 EWE

BS 220018

HAGELAND EWE BS220018



Herd Book	SP	
Birth date	2022-04-30	
Age	1 years	
Inbreeding	9.16%	
Birth Stat.	2	
AFL	ILP	EPI
-	-	-

HAGELAND ILE DE FRANCE PTY LTD

Klerksdorp, North West
0832787784
flip@rnscsa.co.za

BS 190120
HAGELAND RAM BS190120
Parentage Sire Dam
DNA
Genomic

BS 200085
HAGELAND EWE BS200085
AFL 25.1 ILP - EPI 103
Lambd 1 Lambs 2 Weaned 2

BS 170151
RIVER NORTH RAM BS 170151

BS 130133
RIVER NORTH OOI BS 130133
AFL - | ILP - | EPI 196
Lambd 8 | Lambs 13 | Weaned 9

BS 170111
RIVER NORTH RAM BS 170111

BS 160107
RIVER NORTH OOI BS 160107
AFL 18.2 | ILP 686 | EPI 104
Lambd 2 | Lambs 2 | Weaned 2

ELZÉ RAM EL 110103
RIVER NORTH OOI BS130012
AFL - | ILP - | EPI -
Lambd 8 | Lambs 11 | Weaned 8

DENVOR RAM DTC 050071
DE BONNAIRE OOI AAA 110069
AFL 28.9 | ILP - | EPI 85
Lambd 1 | Lambs 4 | Weaned 1

ALBELLO RAM AB 120025
ELZÉ OOI EL 110110
AFL - | ILP - | EPI 108
Lambd 6 | Lambs 11 | Weaned 9

ELZÉ RAM EL 110103
ELZÉ OOI EL 110082
AFL - | ILP - | EPI 116
Lambd 6 | Lambs 9 | Weaned 9

Growth					Reproduction			
PreWn. Dir	PreWn. Mat.	Wn. Dir.	Wean Mat.	Post-Wn.	NLW	TWW	AFL	ILP
89	109	90	106	94	86	86	113	123
57%	39%	57%	33%	23%	30%	30%	30%	24%



EBV Analysis 2023-04-04

Logix Merit Index	92
Growth Index	94
Reproduction Index	103

Birth Wt.	5kg
Pre-Wean	27.2kg (95)
Wean Wt.	43.8kg (99)
Post-Wean	-
Mature Wt.	-

SELLER REMARKS: Dragtig

LOT 33 EWE

GE 210077

GERUNE EWE GE210077



Herd Book	SP	
Birth date	2021-09-26	
Age	1.6 years	
Inbreeding	5.14%	
Birth Stat.	2	
AFL	ILP	EPI
-	-	-

GERUNE FAMILIE TRUST

Stella, North West
gerritera@vodamail.co.za

GE 190176
GERUNE RAM GE190176
Parentage Sire Dam
DNA
Genomic

GE 160094
GERUNE EWE GE160094
AFL 16.2 ILP 346 EPI 128
Lambd 5 Lambs 7 Weaned 6

LC 170160
CORLEE RAM LC170160

GE 160071
GERUNE EWE GE160071
AFL 32.5 | ILP 294 | EPI 102
Lambd 5 | Lambs 7 | Weaned 5

DTC 110004
DENVOR RAM DTC 110004

GE 120059
GERUNE EWE GE120059
AFL 12.9 | ILP 319 | EPI 128
Lambd 8 | Lambs 9 | Weaned 8

SWEETBULT RAM HFG130028
CORLEE EWE LC160057
AFL 15.3 | ILP 210 | EPI -
Lambd 2 | Lambs 3 | Weaned 1

GERUNE RAM GE140125
GERUNE EWE GE130089
AFL 22.6 | ILP 351 | EPI 125
Lambd 4 | Lambs 6 | Weaned 6

DENVOR RAM DTC 080312
UITBLINK OOI HM 080049
AFL - | ILP - | EPI 100
Lambd 5 | Lambs 6 | Weaned 2

DENVOR RAM DTC 090098
GERUNE OOI GE 100044
AFL 22.7 | ILP 311 | EPI 90
Lambd 3 | Lambs 5 | Weaned 3

Growth					Reproduction			
PreWn. Dir	PreWn. Mat.	Wn. Dir.	Wean Mat.	Post-Wn.	NLW	TWW	AFL	ILP
114	78	111	80	117	94	94	101	94
58%	38%	56%	33%	21%	31%	31%	23%	25%



EBV Analysis 2023-04-04

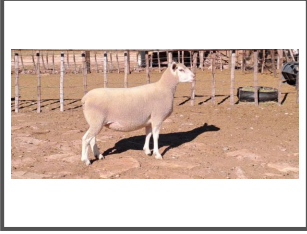
Logix Merit Index	94
Growth Index	100
Reproduction Index	83

Birth Wt.	4kg
Pre-Wean	37.8kg (100)
Wean Wt.	40.3kg (100)
Post-Wean	-
Mature Wt.	-

SELLER REMARKS: Dragtig - Ram GE210012 vanaf 11/10/22 tot 08/12/22



LOT 34 OOI



GERUNE FAMILIE TRUST

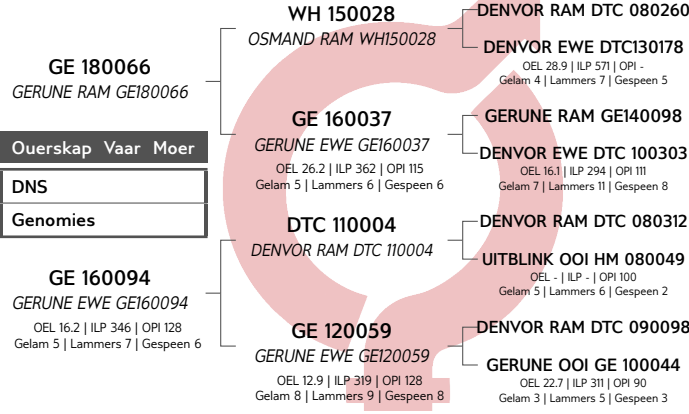
Stella, North West
gerritera@vodamail.co.za



GE 210001

GERUNE EWE GE210001

Kuddeboek	SP	
Geb. dtm	2021-01-08	
Oud.	2.3 jaar	
Inteling	7.41%	
Geb. Status	1	
OEL	ILP	OPI
19.3m	-	-
Gelam	1	
Lammers	2	
Gespeen	0	



Groeï					Reproduksie			
VSpn. Dir	VSpn. Mat	Spn. Dir.	Spn. Mat.	Na-Spn.	GLS	TWW	OEL	ILP
99	82	96	82	102	82	82	111	109
49%	40%	48%	35%	22%	33%	33%	26%	27%

Logix Meriete Indeks	79
Groeï Indeks	87
Reproduksie Indeks	79

Geb. Gew.	4kg
Voorspeen	27.6kg (100)
Speen Gew.	35.4kg (100)
Na-Speen	-
Volw. Gew.	-

VERKOPER OPMERKINGS: Uitstaande skou ooi en Dragtig - Ram GE210012 vanaf 11/10/2022 tot 08/12/2022 weer by GE200047 02/01/23 tot 25/02/23

LOT 35 OOI



L.R. NEL

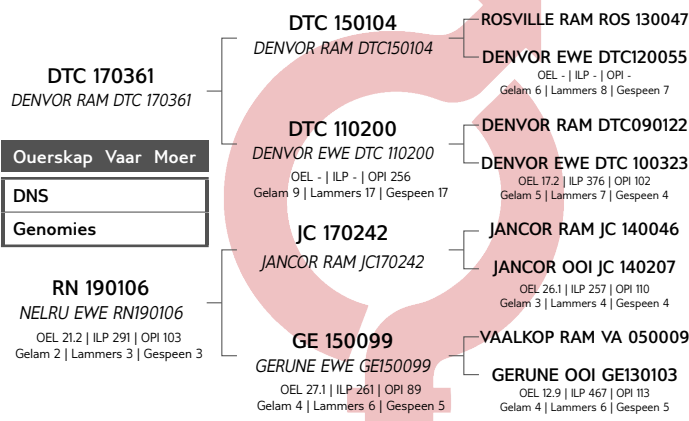
rudinel0@gmail.com



RN 220043

NELRU EWE RN220043

Kuddeboek	SP	
Geb. dtm	2022-06-08	
Oud.	11 maande	
Inteling	6.29%	
Geb. Status	2	
OEL	ILP	OPI
-	-	-



Groeï					Reproduksie			
VSpn. Dir	VSpn. Mat	Spn. Dir.	Spn. Mat.	Na-Spn.	GLS	TWW	OEL	ILP
117	91	120	95	125	95	95	92	90
64%	48%	63%	41%	45%	38%	38%	33%	29%

Logix Meriete Indeks	105
Groeï Indeks	115
Reproduksie Indeks	94

Geb. Gew.	5kg
Voorspeen	17.6kg (99)
Speen Gew.	33.1kg (107)
Na-Speen	-
Volw. Gew.	-

VERKOPER OPMERKINGS: V6 Dogter, oop - 10mnde oud. Deel van 'n Zling

LOT 36 OOI



WILGERSTROOM BOERDERY

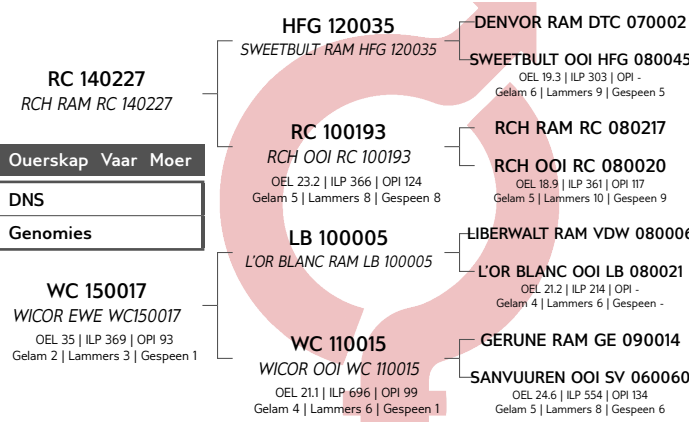
Potchefstroom, North West
0824441855
kleinbegin91@gmail.com



WG 190291

WILGERSTROOM OOI WG190291

Kuddeboek	SP	
Geb. dtm	2019-07-28	
Oud.	3.8 jaar	
Inteling	2.56%	
Geb. Status	2	
OEL	ILP	OPI
24.1m	310d	95
Gelam	2	
Lammers	2	
Gespeen	1	



Groeï					Reproduksie			
VSpn. Dir	VSpn. Mat	Spn. Dir.	Spn. Mat.	Na-Spn.	GLS	TWW	OEL	ILP
99	102	91	101	102	115	115	100	99
51%	38%	51%	32%	35%	34%	34%	29%	25%

Logix Meriete Indeks	105
Groeï Indeks	95
Reproduksie Indeks	107

Geb. Gew.	3kg
Voorspeen	17.6kg (106)
Speen Gew.	15.7kg (100)
Na-Speen	45.9kg (108)
Volw. Gew.	-

VERKOPER OPMERKINGS: Dragtig - BS19467 en van 22 Feb tot einde April by FJ180050



NASIONALE IDF ELITE VEILING

BLOEMSKOU GRONDE 29 April 2023



LOT 37 EWE

HW 220056

HENLIN EWE HW220056

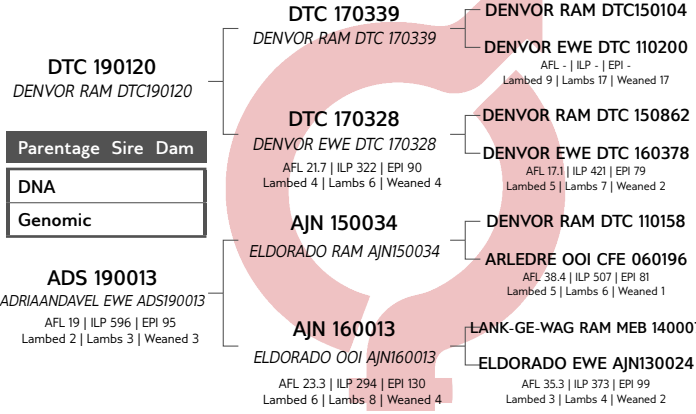


Herd Book	SP	
Birth date	2022-06-09	
Age	11 months	
Inbreeding	4.84%	
Birth Stat.	2	
AFL	ILP	EPI
-	-	-

HENLIN STOETERY



Reitz, Free State
0721711573
wbhbdy@gmail.com



Growth					Reproduction			
PreWn. Dir	PreWn. Mat.	Wn. Dir.	Wean Mat.	Post-Wn.	NLW	TWW	AFL	ILP
111	94	115	97	125	92	92	84	86
53%	36%	60%	30%	40%	25%	25%	22%	20%



Logix Merit Index	97
Growth Index	112
Reproduction Index	90

Birth Wt.	-
Pre-Wean	33.6kg (100)
Wean Wt.	30.6kg (100)
Post-Wean	-
Mature Wt.	-

SELLER REMARKS: Oop

LOT 38 EWE

HN 220029

PINNACLE EWE HN220029

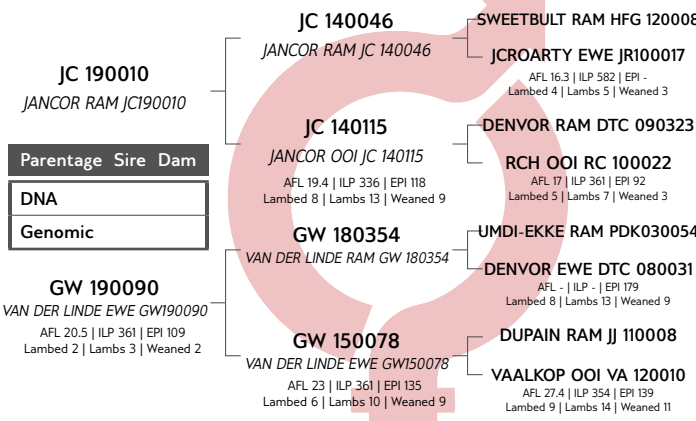


Herd Book	SP	
Birth date	2022-04-06	
Age	1.1 years	
Inbreeding	3.16%	
Birth Stat.	2	
AFL	ILP	EPI
-	-	-

PINNACLE STUDS PTY LTD



Ladybrand, Free State
0824102401
pinnacle.santas@gmail.com



Growth					Reproduction			
PreWn. Dir	PreWn. Mat.	Wn. Dir.	Wean Mat.	Post-Wn.	NLW	TWW	AFL	ILP
98	98	102	98	105	109	109	91	85
63%	41%	61%	34%	57%	30%	30%	28%	24%



Logix Merit Index	99
Growth Index	99
Reproduction Index	98

Birth Wt.	-
Pre-Wean	18.6kg (102)
Wean Wt.	30.7kg (93)
Post-Wean	52.7kg (102)
Mature Wt.	-

SELLER REMARKS: JC19-10 daughter out of GW19-90. Have a good look at her pedigree. Running with ram HN21-79 from 14/02/2023. Pregnancy to be confirmed

LOT 39 EWE

LR 210007

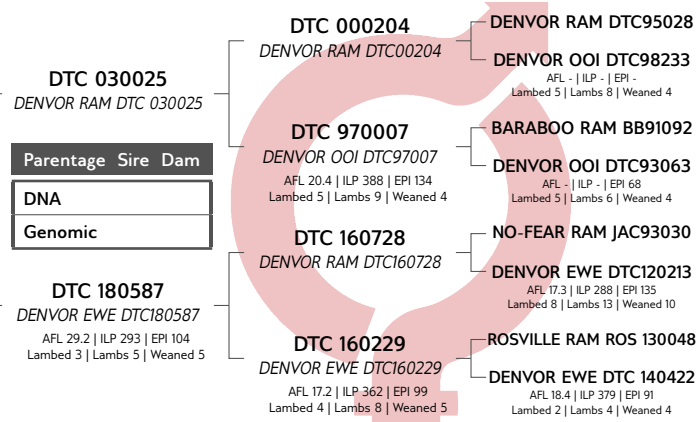
LA ROCHELLE EWE LR210007



Herd Book	SP	
Birth date	2021-07-20	
Age	1.8 years	
Inbreeding	8.58%	
Birth Stat.	2	
AFL	ILP	EPI
12.5m	-	101
Lambded	1	
Lambs	2	
Weaned	2	

GROOTVLAKTE BOERDERY PTY LTD

Somerset Oos, Eastern Cape
0823966495
tollie@sat.co.za



Growth					Reproduction			
PreWn. Dir	PreWn. Mat.	Wn. Dir.	Wean Mat.	Post-Wn.	NLW	TWW	AFL	ILP
106	86	102	84	112	107	107	77	98
67%	59%	66%	53%	42%	49%	49%	46%	41%



Logix Merit Index	96
Growth Index	95
Reproduction Index	91

Birth Wt.	-
Pre-Wean	24.2kg (98)
Wean Wt.	42.5kg (93)
Post-Wean	-
Mature Wt.	-

SELLER REMARKS: Dragtig van LR20-055



LOT 40 OOI

LR 220084

LA ROCHELLE EWE LR220084



Kuddeboek	SP	
Geb. dtm	2022-04-23	
Oud.	1 jaar	
Inteling	8.21%	
Geb. Status	1	
OEL	ILP	OPI
-	-	-

GROOTVLAKTE BOERDERY PTY LTD

Somerset Oos, Eastern Cape
0823966495
tollie@sat.co.za

LR 200019
LA ROCHELLE RAM LR200019

Ouerskap Vaar Moer

DNS
Genomies

DTC 170817
DENVOR EWE DTC 170817
OEL 37.3 | ILP 300 | OPI 96
Gelum 3 | Lammers 4 | Gespeen 3

DTC 180679
DENVOR RAM DTC180679

GERUNE RAM GEI30086
DENVOR EWE DTC 140594
OEL 18.3 | ILP 264 | OPI -
Gelum 8 | Lammers 15 | Gespeen 7

DTC 160229
DENVOR EWE DTC160229

ROSVILLE RAM ROS 130048
DENVOR EWE DTC 140422
OEL 18.4 | ILP 379 | OPI 91
Gelum 2 | Lammers 4 | Gespeen 4

DTC 150085
DENVOR RAM DTC150085

DENVOR RAM DTC 090201
DENVOR EWE DTC120227
OEL - | ILP - | OPI 111
Gelum 11 | Lammers 16 | Gespeen 8

DTC 140550
DENVOR EWE DTC 140550

DENVOR RAM DTC120176
DENVOR EWE DTC 120344
OEL 17.8 | ILP 355 | OPI 99
Gelum 3 | Lammers 5 | Gespeen 4

Groeï					Reproduksie			
VSpn. Dir	VSpn. Mat	Spn. Dir.	Spn. Mat.	Na-Spn.	GLS	TWW	OEL	ILP
115	84	113	87	118	114	114	103	105
62%	38%	61%	32%	19%	30%	30%	25%	23%



EBV Analise 2023-04-04

Logix Meriete Indeks	116
Groeï Indeks	106
Reproduksie Indeks	108

Geb. Gew.	-
Voorspeen	28.5kg (128)
Speen Gew.	51kg (120)
Na-Speen	-
Volw. Gew.	-

VERKOPER OPMERKINGS: Moontlik dragtig van LR200055 - dogter van LR200019 met baie goeie syfers.

LOT 41 OOI

RN 220065

NELRU EWE RN220065



Kuddeboek	SP	
Geb. dtm	2022-06-18	
Oud.	10 maande	
Inteling	19.21%	
Geb. Status	1	
OEL	ILP	OPI
-	-	-

L.R. NEL

rudinel0@gmail.com



DTC 200052
DENVOR RAM DTC200052

Ouerskap Vaar Moer

DNS
Genomies

RN 200068
NELRU EWE RN200068
OEL 17.9 | ILP - | OPI 101
Gelum 1 | Lammers 1 | Gespeen 1

DTC 170361
DENVOR RAM DTC 170361

DENVOR RAM DTC150104
DENVOR EWE DTC 110200
OEL - | ILP - | OPI -
Gelum 9 | Lammers 17 | Gespeen 17

DTC 130231
DENVOR EWE DTC130231

DENVOR RAM DTC 100148
DENVOR EWE DTC 120002
OEL 19.6 | ILP 390 | OPI 108
Gelum 5 | Lammers 11 | Gespeen 6

DTC 170361
DENVOR RAM DTC 170361

DENVOR RAM DTC150104
DENVOR EWE DTC 110200
OEL - | ILP - | OPI 256
Gelum 9 | Lammers 17 | Gespeen 17

GE 120148
GERUNE EWE GEI20148

ROSVILLE RAM ROS110015
GERUNE OOI GE 090021
OEL 32.6 | ILP 210 | OPI 96
Gelum 3 | Lammers 5 | Gespeen 4

Groeï					Reproduksie			
VSpn. Dir	VSpn. Mat	Spn. Dir.	Spn. Mat.	Na-Spn.	GLS	TWW	OEL	ILP
111	82	123	86	124	101	101	92	82
58%	39%	57%	33%	36%	30%	30%	26%	23%



EBV Analise 2023-04-04

Logix Meriete Indeks	101
Groeï Indeks	109
Reproduksie Indeks	89

Geb. Gew.	4kg
Voorspeen	18.8kg (106)
Speen Gew.	35.2kg (114)
Na-Speen	-
Volw. Gew.	-

VERKOPER OPMERKINGS: Sy is 'n Lexus op 'n V6 dogter, oop - 10mnde oud. (V6 lynteling)

LOT 42 OOI

RN 220040

NELRU EWE RN220040



Kuddeboek	SP	
Geb. dtm	2022-06-08	
Oud.	11 maande	
Inteling	8.89%	
Geb. Status	2	
OEL	ILP	OPI
-	-	-

L.R. NEL

rudinel0@gmail.com



DTC 170361
DENVOR RAM DTC 170361

Ouerskap Vaar Moer

DNS
Genomies

LC 190038
CORLEE EWE LC190038
OEL 37.2 | ILP - | OPI 103
Gelum 1 | Lammers 2 | Gespeen 2

DTC 150104
DENVOR RAM DTC150104

ROSVILLE RAM ROS 130047
DENVOR EWE DTC120055
OEL - | ILP - | OPI -
Gelum 6 | Lammers 8 | Gespeen 7

DTC 110200
DENVOR EWE DTC 110200

DENVOR RAM DTC090122
DENVOR EWE DTC 100323
OEL 17.2 | ILP 376 | OPI 97
Gelum 5 | Lammers 7 | Gespeen 4

GNF 160043
GERNICK RAM GNF160043

GERNICK RAM GNF140069
LANK-GE-WAG OOI MEB 120002
OEL 26 | ILP 226 | OPI 97
Gelum 6 | Lammers 7 | Gespeen 3

LC 160072
CORLEE EWE LC160072

DENVOR RAM DTC 110218
UITBLINK EWE HM150092
OEL 14.7 | ILP 503 | OPI 111
Gelum 2 | Lammers 3 | Gespeen 3

Groeï					Reproduksie			
VSpn. Dir	VSpn. Mat	Spn. Dir.	Spn. Mat.	Na-Spn.	GLS	TWW	OEL	ILP
122	94	121	100	126	88	88	94	77
64%	48%	63%	41%	48%	38%	38%	34%	29%



EBV Analise 2023-04-04

Logix Meriete Indeks	102
Groeï Indeks	120
Reproduksie Indeks	88

Geb. Gew.	4kg
Voorspeen	20kg (112)
Speen Gew.	35.3kg (114)
Na-Speen	-
Volw. Gew.	-

VERKOPER OPMERKINGS: V6 Dogter, oop - 10mnde oud. Deel van 'n 2ling. Dra baie vleis.