



dormer

NATIONAL AUCTION 2 SEP 2023

BEHUMAN, FARM MIDDELWATER



MAIN SPONSOR



060 6004 774 | dormer@studbook.co.za

BAIE WELKOM
BY DIE
DORMER
NASIONALE VEILING
2 SEPTEMBER 2023



The Trusted Home of Agriculture
Die Betroubare Tuiste van Landbou

AMPTELIKE VEILINGSKATALOGUS VIR /
OFFICIAL AUCTION CATALOGUE FOR

DORMER NASIONALE VEILING 2023

BE HUMAN, BLOEMFONTEIN
02 September 2023

All Pedigree- and Performance Data is as recorded on LOGIX on 25 August 2023



dormer



SA STAMBOEK
STUD BOOK



LOT 1 (M)



NOVA BARLETTA BOERDERY

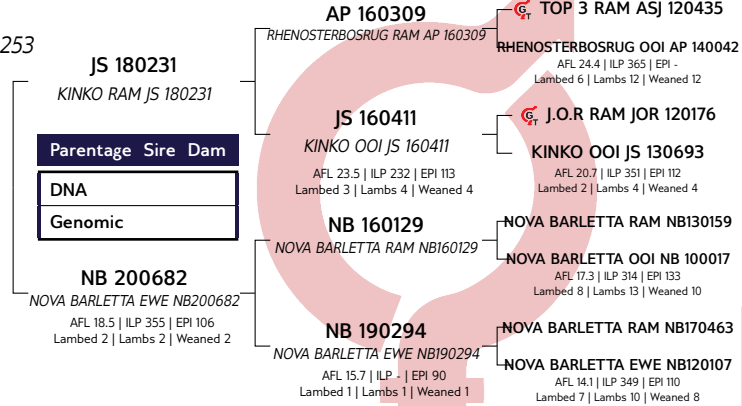
Clocolan, Free State
0725976047
novabarletta@gmail.com

NB 220253

NOVA BARLETTA RAM NB220253



Herd Book	SP
Birth date	2022-03-16
Age	1.5 years
Inbreeding	4.85%
Birth Stat.	1
Progeny	None



Growth			Reproduction			
Wn. Dir.	Wean Mat.	Post-Wn.	NLW	TWW	AFL	ILP
120	94	120	91	91	105	108
61%	52%	56%	39%	39%	41%	26%



EBV Analysis 2023-08-21

Logix Merit Index	114
Growth Index	120
Reproduction Index	98

SELLER REMARKS:

LOT 2 (M)



NOVA BARLETTA BOERDERY

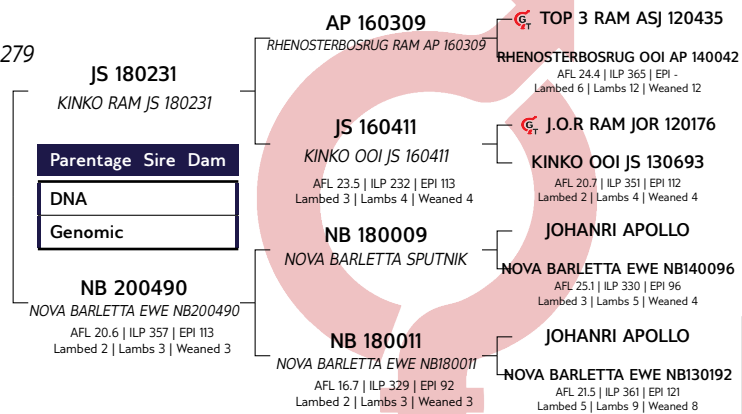
Clocolan, Free State
0725976047
novabarletta@gmail.com

NB 220279

NOVA BARLETTA RAM NB220279



Herd Book	SP
Birth date	2022-03-16
Age	1.5 years
Inbreeding	4.67%
Birth Stat.	1
Progeny	None



Growth			Reproduction			
Wn. Dir.	Wean Mat.	Post-Wn.	NLW	TWW	AFL	ILP
119	87	117	94	94	107	102
63%	54%	52%	42%	42%	44%	28%



EBV Analysis 2023-08-21

Logix Merit Index	112
Growth Index	116
Reproduction Index	96

SELLER REMARKS:

LOT 3 (M)



NOVA BARLETTA BOERDERY

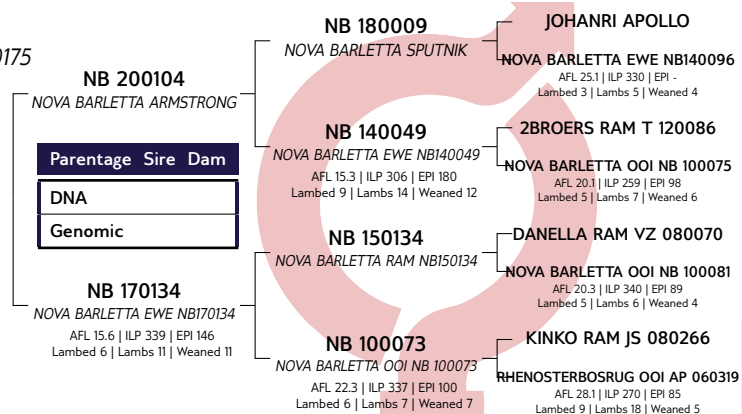
Clocolan, Free State
0725976047
novabarletta@gmail.com

NB 220175

NOVA BARLETTA RAM NB220175



Herd Book	SP
Birth date	2022-03-15
Age	1.5 years
Inbreeding	7.92%
Birth Stat.	2
Progeny	None



Growth			Reproduction			
Wn. Dir.	Wean Mat.	Post-Wn.	NLW	TWW	AFL	ILP
107	113	104	105	105	109	115
63%	51%	41%	38%	38%	34%	28%



EBV Analysis 2023-08-21

Logix Merit Index	120
Growth Index	116
Reproduction Index	122

SELLER REMARKS:

LOT 4 (M)



NB 22-297



NB 220297

NOVA BARLETTA RAM NB220297

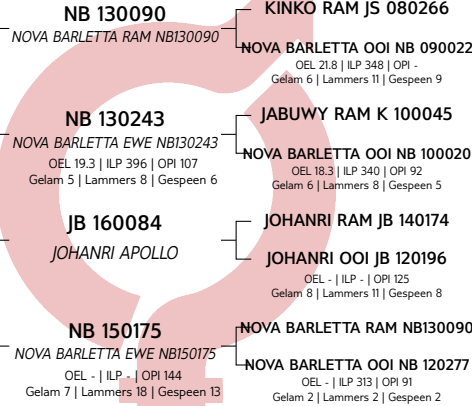
Kuddeboek	SP
Geb. dtm	2022-03-17
Oud.	1.5 jaar
Inteling	11.52%
Geb. Status	1
Nageslag	Geen

NOVA BARLETTA BOERDERY

Clocolan, Free State
0725976047
novabarletta@gmail.com

NB 180463	NOVA BARLETTA RECYCLE
Ouerskap Vaar Moer	
DNS	
Genomies	

NB 180026	NOVA BARLETTA EWE NB180026
OEL 16.7 ILP 354 OPI 110	Gelam 5 Lammers 9 Gespeen 6



Groeï			Reproduksie			
Spn. Dir.	Spn. Mat.	Na-Spn.	GLS	TWW	OEL	ILP
97	110	83	91	91	101	100
63%	52%	54%	40%	40%	40%	32%



EBV Analise 2023-08-21

Logix Meriete Indeks	101
Groeï Indeks	106
Reproduksie Indeks	102

VERKOPER OPMERKINGS:

LOT 5 (M)



NB 22-300



NB 220300

NOVA BARLETTA RAM NB220300

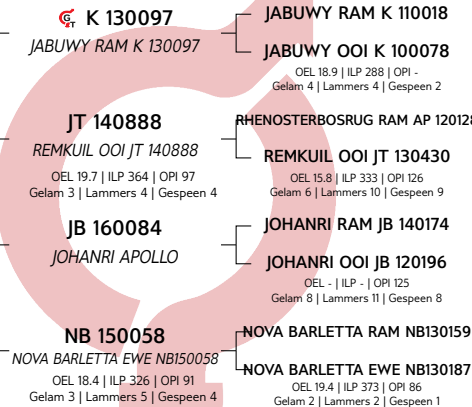
Kuddeboek	SP
Geb. dtm	2022-03-17
Oud.	1.5 jaar
Inteling	5.34%
Geb. Status	1
Nageslag	Geen

NOVA BARLETTA BOERDERY

Clocolan, Free State
0725976047
novabarletta@gmail.com

K JT 160062	REMKUIL RAM JT 160062
Ouerskap Vaar Moer	
DNS	
Genomies	

NB 180452	NOVA BARLETTA EWE NB180452
OEL 20.3 ILP 360 OPI 96	Gelam 3 Lammers 5 Gespeen 4



Groeï			Reproduksie			
Spn. Dir.	Spn. Mat.	Na-Spn.	GLS	TWW	OEL	ILP
115	91	120	100	100	95	97
63%	57%	55%	48%	48%	47%	39%

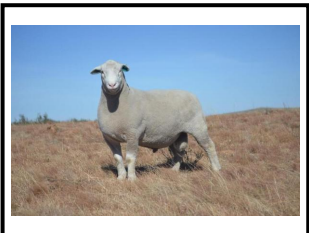


EBV Analise 2023-08-21

Logix Meriete Indeks	110
Groeï Indeks	113
Reproduksie Indeks	99

VERKOPER OPMERKINGS:

LOT 6 (M)



SL 22-055



SL 220055

ROOIEK RAM SL 220055

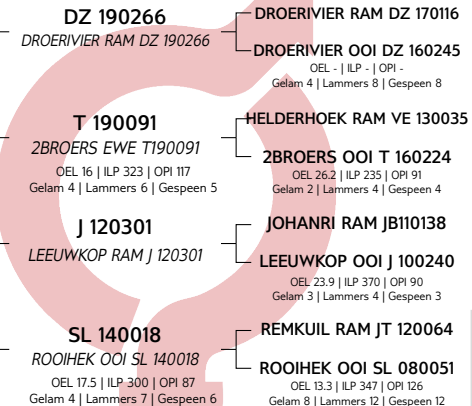
Kuddeboek	SP
Geb. dtm	2022-09-11
Oud.	1 jaar
Inteling	5.25%
Geb. Status	2
Nageslag	Geen

ROOIEK DORMERS

Barkley East, Eastern Cape
0723132232
tjaart@barkly.co.za

T 210095	2BROERS RAM T 210095
Ouerskap Vaar Moer	
DNS	
Genomies	

SL 170018	ROOIEK OOI SL 170018
OEL 29.7 ILP 371 OPI 103	Gelam 4 Lammers 8 Gespeen 8



Groeï			Reproduksie			
Spn. Dir.	Spn. Mat.	Na-Spn.	GLS	TWW	OEL	ILP
96	102	94	107	107	107	99
59%	46%	24%	32%	32%	27%	23%



EBV Analise 2023-08-21

Logix Meriete Indeks	105
Groeï Indeks	100
Reproduksie Indeks	111

VERKOPER OPMERKINGS: Vrugaarheid. Rev 1 , Multivax P Plus.

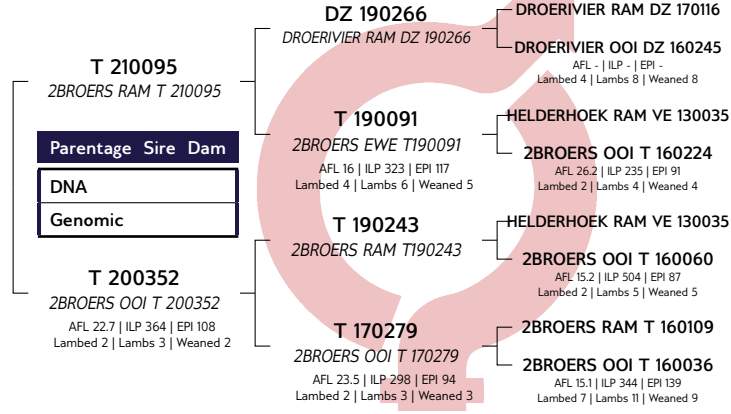
LOT 7 (M)



T 220374
2BROERS RAM T 220374

Herd Book	SP
Birth date	2022-05-07
Age	1.3 years
Inbreeding	10.8%
Birth Stat.	2
Progeny	None

TWEE BROERS DORMER STOET
Barkly East, Eastern Cape
0723132232
tjaart@barkly.co.za



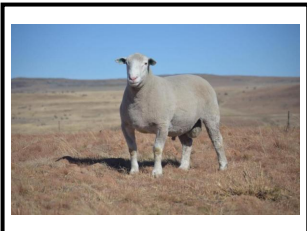
Growth			Reproduction			
Wn. Dir.	Wean Mat.	Post-Wn.	NLW	TWW	AFL	ILP
110	112	105	100	100	125	88
58%	42%	27%	29%	29%	30%	22%



Logix Merit Index	120
Growth Index	119
Reproduction Index	119

SELLER REMARKS: Vrugaarheid. Rev 1, Multivax P Plus.

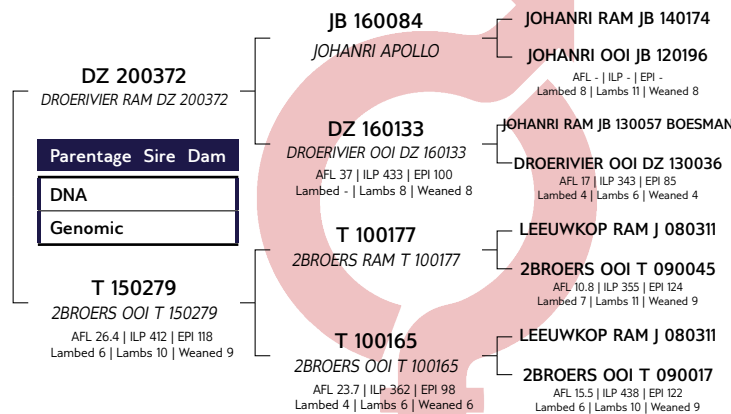
LOT 8 (M)



T 220240
2BROERS RAM T 220240

Herd Book	SP
Birth date	2022-05-04
Age	1.3 years
Inbreeding	4.76%
Birth Stat.	2
Progeny	None

TWEE BROERS DORMER STOET
Barkly East, Eastern Cape
0723132232
tjaart@barkly.co.za



Growth			Reproduction			
Wn. Dir.	Wean Mat.	Post-Wn.	NLW	TWW	AFL	ILP
91	99	90	106	106	100	99
61%	50%	32%	41%	41%	38%	34%



Logix Merit Index	99
Growth Index	94
Reproduction Index	106

SELLER REMARKS: Vrugaarheid. Rev 1, Multivax P Plus.

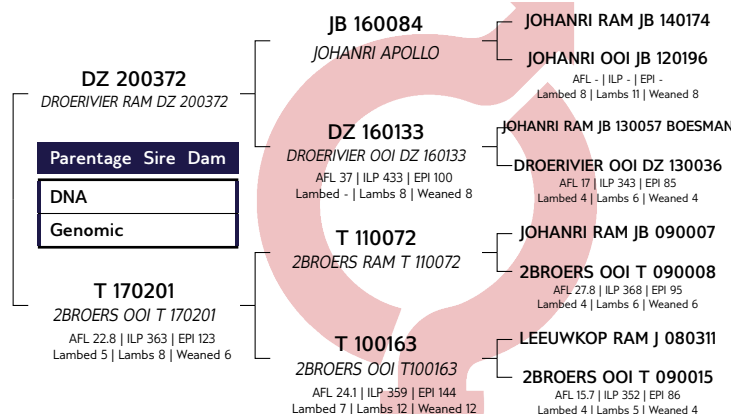
LOT 9 (M)



T 220106
2BROERS RAM T 220106

Herd Book	SP
Birth date	2022-05-01
Age	1.3 years
Inbreeding	5.8%
Birth Stat.	2
Progeny	None

TWEE BROERS DORMER STOET
Barkly East, Eastern Cape
0723132232
tjaart@barkly.co.za



Growth			Reproduction			
Wn. Dir.	Wean Mat.	Post-Wn.	NLW	TWW	AFL	ILP
109	100	106	85	85	100	86
60%	48%	32%	39%	39%	36%	32%



Logix Merit Index	101
Growth Index	112
Reproduction Index	91

SELLER REMARKS: Vrugaarheid. Rev 1, Multivax P Plus.

LOT 10 (M)



TWEE BROERS DORMER STOET

Barkly East, Eastern Cape
0723132232
tjaart@barkly.co.za

T 220445

2BROERS RAM T 220445

Kuddeboek	SP
Geb. dtm	2022-05-07
Oud.	1.3 jaar
Inteling	5.67%
Geb. Status	1
Nageslag	
Geen	

DZ 200372
DROERIVIER RAM DZ 200372

Ouerskap Vaar Moer

DNS

Genomies

T 200421
2BROERS EWE T200421

OEL 20 | ILP 362 | OPI 107
Gelam 2 | Lammers 3 | Gespeen 1

JB 160084
JOHANRI APOLLO

DZ 160133
DROERIVIER OOI DZ 160133

OEL 37 | ILP 433 | OPI 100
Gelam - | Lammers 8 | Gespeen 8

T 190169
2BROERS RAM T190169

T 190076
2BROERS EWE T190076

OEL 15.9 | ILP 324 | OPI 116
Gelam 4 | Lammers 7 | Gespeen 5

JOHANRI RAM JB 140174

JOHANRI OOI JB 120196

OEL - | ILP - | OPI -
Gelam 8 | Lammers 11 | Gespeen 8

JOHANRI RAM JB 130057 BOESMAN

DROERIVIER OOI DZ 130036

OEL 17 | ILP 343 | OPI 85
Gelam 4 | Lammers 6 | Gespeen 4

2BROERS RAM T180045

2BROERS OOI T 130067

OEL 22.9 | ILP 364 | OPI 148
Gelam 7 | Lammers 11 | Gespeen 11

2BROERS RAM T180045

2BROERS OOI T 140002

OEL 23.4 | ILP 361 | OPI 108
Gelam 5 | Lammers 7 | Gespeen 6

Groeï			Reproduksie			
Spn. Dir.	Spn. Mat.	Na-Spn.	GLS	TWW	OEL	ILP
111	102	106	89	89	97	98
57%	42%	29%	34%	34%	32%	28%



EBV Analise 2023-08-21

Logix Meriete Indeks	107
Groeï Indeks	115
Reproduksie Indeks	96

VERKOPER OPMERKINGS: Vrugaarheid. Rev 1, Multivax P Plus.

LOT 11 (M)



2 STEYNS BOERDERY

Venterstad, Eastern Cape
0824782470
steyn1903@gmail.com

DZ 210297

DROERIVIER RAM DZ 210297

Kuddeboek	SP
Geb. dtm	2021-06-30
Oud.	2.2 jaar
Inteling	4.44%
Geb. Status	2
Nageslag	
In Kudde	36
Totaal	118
Kuddes Gebruik	3

DZ 190389
DROERIVIER RAM DZ 190389

Ouerskap Vaar Moer

DNS

Genomies

DZ 200084
DROERIVIER OOI DZ 200084

OEL 16 | ILP 480 | OPI 107
Gelam 2 | Lammers 5 | Gespeen 5

JB 160084
JOHANRI APOLLO

DZ 150162
DROERIVIER OOI DZ 150162

OEL 19.9 | ILP 402 | OPI 124
Gelam 6 | Lammers 11 | Gespeen 11

DZ 170116
DROERIVIER RAM DZ 170116

DZ 160086
DROERIVIER OOI DZ 160086

OEL 16.1 | ILP 482 | OPI 128
Gelam 5 | Lammers 16 | Gespeen 16

JOHANRI RAM JB 140174

JOHANRI OOI JB 120196

OEL - | ILP - | OPI -
Gelam 8 | Lammers 11 | Gespeen 8

JOHANRI RAM JB 130057 BOESMAN

DROERIVIER OOI DZ 110081

OEL 15.2 | ILP 268 | OPI 137
Gelam 6 | Lammers 11 | Gespeen 11

DROERIVIER RAM DZ 110115

DROERIVIER OOI DZ 140210

OEL 14.5 | ILP 323 | OPI 93
Gelam 5 | Lammers 9 | Gespeen 9

DROERIVIER RAM DZ 100045

DROERIVIER OOI DZ 120049

OEL 14.2 | ILP 333 | OPI 206
Gelam 9 | Lammers 20 | Gespeen 20

Groeï			Reproduksie			
Spn. Dir.	Spn. Mat.	Na-Spn.	GLS	TWW	OEL	ILP
121	99	118	106	106	106	97
67%	54%	49%	42%	42%	43%	32%



EBV Analise 2023-08-21

Logix Meriete Indeks	124
Groeï Indeks	123
Reproduksie Indeks	113

VERKOPER OPMERKINGS:

LOT 12 (M)



2 STEYNS BOERDERY

Venterstad, Eastern Cape
0824782470
steyn1903@gmail.com

DZ 210355

DROERIVIER RAM DZ 210355

Kuddeboek	SP
Geb. dtm	2021-10-28
Oud.	1.9 jaar
Inteling	5.97%
Geb. Status	1
Nageslag	
Geen	

DZ 190389
DROERIVIER RAM DZ 190389

Ouerskap Vaar Moer

DNS

Genomies

DZ 190168
DROERIVIER OOI DZ 190168

OEL - | ILP - | OPI 101
Gelam 2 | Lammers 5 | Gespeen 4

JB 160084
JOHANRI APOLLO

DZ 150162
DROERIVIER OOI DZ 150162

OEL 19.9 | ILP 402 | OPI 124
Gelam 6 | Lammers 11 | Gespeen 11

DZ 180078
DROERIVIER RAM DZ 180078

DZ 170291
DROERIVIER OOI DZ 170291

OEL 19.8 | ILP - | OPI 98
Gelam - | Lammers 5 | Gespeen 5

JOHANRI RAM JB 140174

JOHANRI OOI JB 120196

OEL - | ILP - | OPI -
Gelam 8 | Lammers 11 | Gespeen 8

JOHANRI RAM JB 130057 BOESMAN

DROERIVIER OOI DZ 110081

OEL 15.2 | ILP 268 | OPI 137
Gelam 6 | Lammers 11 | Gespeen 11

DROERIVIER RAM DZ 160084

DROERIVIER OOI DZ 140078

OEL 17.1 | ILP 318 | OPI 130
Gelam 6 | Lammers 13 | Gespeen 13

DROERIVIER RAM DZ 140017

DROERIVIER OOI DZ 140019

OEL 17.4 | ILP 248 | OPI 96
Gelam 5 | Lammers 11 | Gespeen 11

Groeï			Reproduksie			
Spn. Dir.	Spn. Mat.	Na-Spn.	GLS	TWW	OEL	ILP
113	121	114	92	92	64	99
62%	52%	46%	40%	40%	40%	30%



EBV Analise 2023-08-21

Logix Meriete Indeks	111
Groeï Indeks	126
Reproduksie Indeks	101

VERKOPER OPMERKINGS:

LOT 13 (M)**JP 220193**

WELPIC RAM JP220193

Herd Book	SP
Birth date	2022-04-13
Age	1.4 years
Inbreeding	5.29%
Birth Stat.	3
Progeny	None

WELPIC DORMERSLady Grey, Eastern Cape
0827491314
welpicdormers@gmail.com**JB 180008**

JOHANRI RAM JB180008

Parentage Sire Dam**DNA****Genomic****DE 180164**AAN-DE-VALLEI OOI DE 180164
AFL 17.9 | ILP 376 | EPI 112
Lambd 3 | Lams 8 | Weaned 8**JT 160062**

REM KUIL RAM JT 160062

JB 170005JOHANRI EWE JB170005
AFL 15.6 | ILP 361 | EPI 127
Lambd 5 | Lams 11 | Weaned 11**DE 140129**

AAN-DE-VALLEI RAM DE140129

DE 170015AAN-DE-VALLEI OOI DE 170015
AFL - | ILP - | EPI -
Lambd - | Lams - | Weaned -**JABUWY RAM K 130097****REM KUIL OOI JT 140888**AFL 19.7 | ILP 364 | EPI -
Lambd 3 | Lams 4 | Weaned 4**LEEUEWKOP RAM J150133****JOHANRI OOI JB 120026**AFL 24.2 | ILP 371 | EPI 85
Lambd 4 | Lams 5 | Weaned 5**AAN-DE-VALLEI RAM DE120182****AAN-DE-VALLEI EWE DE120104**AFL - | ILP - | EPI 101
Lambd 3 | Lams 5 | Weaned 5**DROERIVIER RAM DZ 140020****AAN-DE-VALLEI EWE DE140103**AFL - | ILP - | EPI -
Lambd 3 | Lams 4 | Weaned 3

Growth			Reproduction			
Wn. Dir.	Wean Mat.	Post-Wn.	NLW	TWW	AFL	ILP
123	87	125	116	116	91	96
63%	54%	41%	38%	38%	36%	27%



EBV Analysis 2023-08-21

Logix Merit Index **124**Growth Index **120**Reproduction Index **111**

SELLER REMARKS: Multivax P Plus, Rev1, Bloutong A,B,C en vrugbaarheid.

LOT 14 (M)**JP 220087**

WELPIC RAM JP220087

Herd Book	SP
Birth date	2022-04-10
Age	1.4 years
Inbreeding	4.51%
Birth Stat.	2
Progeny	None

WELPIC DORMERSLady Grey, Eastern Cape
0827491314
welpicdormers@gmail.com**JB 180008**

JOHANRI RAM JB180008

Parentage Sire Dam**DNA****Genomic****JP 150033**WELPIC EWE JP150033
AFL 22.2 | ILP 365 | EPI 111
Lambd 6 | Lams 11 | Weaned 11**JT 160062**

REM KUIL RAM JT 160062

JB 170005JOHANRI EWE JB170005
AFL 15.6 | ILP 361 | EPI 127
Lambd 5 | Lams 11 | Weaned 11**JB 120113**

JOHANRI RAM JB 120113

AD 080120

DORMEHL OOI AD080120

AFL - | ILP - | EPI 250
Lambd 5 | Lams 7 | Weaned 7**JABUWY RAM K 130097****REM KUIL OOI JT 140888**AFL 19.7 | ILP 364 | EPI -
Lambd 3 | Lams 4 | Weaned 4**LEEUEWKOP RAM J150133****JOHANRI OOI JB 120026**AFL 24.2 | ILP 371 | EPI 85
Lambd 4 | Lams 5 | Weaned 5**JOHANRI RAM JB 110087****LEEUEWKOP OOI J 060132**AFL 24.3 | ILP 452 | EPI 120
Lambd 4 | Lams 8 | Weaned 7**DANELLA RAM VZ 050192****DORMEHL OOI AD 060279**AFL 24.7 | ILP - | EPI -
Lambd 11 | Lams 11 | Weaned -

Growth			Reproduction			
Wn. Dir.	Wean Mat.	Post-Wn.	NLW	TWW	AFL	ILP
107	91	111	117	117	103	105
64%	56%	41%	41%	41%	39%	30%



EBV Analysis 2023-08-21

Logix Merit Index **116**Growth Index **106**Reproduction Index **115**

SELLER REMARKS: Multivax P Plus, Rev1, Bloutong A,B,C en vrugbaarheid.

LOT 15 (M)**JP 220169**

WELPIC RAM JP220169

Herd Book	SP
Birth date	2022-04-13
Age	1.4 years
Inbreeding	5.23%
Birth Stat.	2
Progeny	None

WELPIC DORMERSLady Grey, Eastern Cape
0827491314
welpicdormers@gmail.com**DZ 170116**

DROERIVIER RAM DZ 170116

Parentage Sire Dam**DNA****Genomic****JP 190048**WELPIC EWE JP190048
AFL 25 | ILP 362 | EPI 105
Lambd 2 | Lams 5 | Weaned 5**DZ 110115**

DROERIVIER RAM DZ 110115

DZ 140210DROERIVIER OOI DZ 140210
AFL 14.5 | ILP 323 | EPI 93
Lambd 5 | Lams 9 | Weaned 9**JP 170033**

WELPIC RAM JP170033

JP 150033WELPIC EWE JP150033
AFL 22.2 | ILP 365 | EPI 111
Lambd 6 | Lams 11 | Weaned 11**DROERIVIER RAM DZ 070013****DROERIVIER OOI DZ 090255**AFL 14.7 | ILP 273 | EPI -
Lambd 11 | Lams 20 | Weaned 20**DROERIVIER RAM DZ 110097****DROERIVIER OOI DZ 130161**AFL 15.5 | ILP 255 | EPI 87
Lambd 2 | Lams 4 | Weaned 4**JOHANRI RAM JB 110054****WELPIC OOI JP150058**AFL 19.9 | ILP 368 | EPI 111
Lambd 6 | Lams 9 | Weaned 8**JOHANRI RAM JB 120113****DORMEHL OOI AD080120**AFL - | ILP - | EPI 250
Lambd 5 | Lams 7 | Weaned 7

Growth			Reproduction			
Wn. Dir.	Wean Mat.	Post-Wn.	NLW	TWW	AFL	ILP
101	82	95	123	123	116	103
63%	57%	45%	46%	46%	45%	36%



EBV Analysis 2023-08-21

Logix Merit Index **112**Growth Index **96**Reproduction Index **117**

SELLER REMARKS: Multivax P Plus, Rev1, Bloutong A,B,C en vrugbaarheid.

LOT 16 (M)



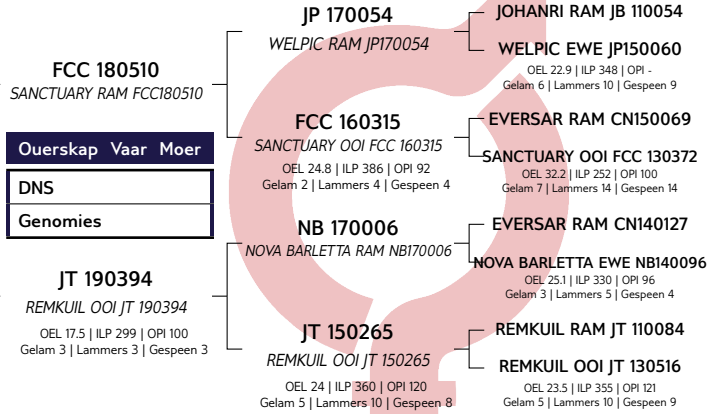
JT 210438

REMKUIL RAM JT210438

Kuddeboek	SP
Geb. dtm	2021-06-21
Oud.	2.2 jaar
Inteling	4.66%
Geb. Status	1
Nageslag	
Geen	

REMKUIL BOERDERY (EDMS) BPK

Caledon, Western Cape
remkuil@ruens.co.za



Groeï			Reproduksie			
Spn. Dir.	Spn. Mat.	Na-Spn.	GLS	TWW	OEL	ILP
109	123	114	104	104	102	109
63%	54%	60%	42%	42%	41%	28%



EBV Analise 2023-08-21

Logix Meriete Indeks	123
Groeï Indeks	123
Reproduksie Indeks	125

VERKOPER OPMERKINGS:

LOT 17 (M)



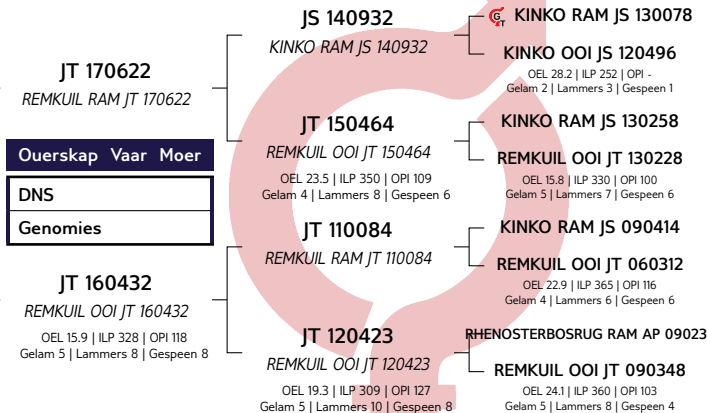
JT 210017

REMKUIL RAM JT 210017

Kuddeboek	SP
Geb. dtm	2021-05-13
Oud.	2.3 jaar
Inteling	6.77%
Geb. Status	2
Nageslag	
Geen	

REMKUIL BOERDERY (EDMS) BPK

Caledon, Western Cape
remkuil@ruens.co.za



Groeï			Reproduksie			
Spn. Dir.	Spn. Mat.	Na-Spn.	GLS	TWW	OEL	ILP
103	105	102	99	99	97	83
63%	58%	61%	48%	48%	46%	36%



EBV Analise 2023-08-21

Logix Meriete Indeks	105
Groeï Indeks	108
Reproduksie Indeks	104

VERKOPER OPMERKINGS:

LOT 18 (M)



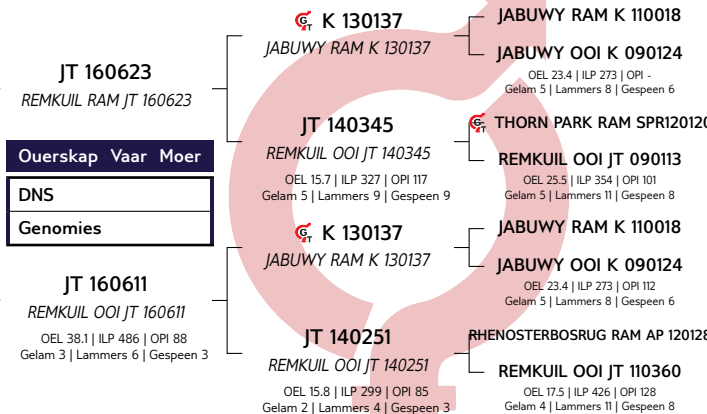
JT 210204

REMKUIL RAM JT 210204

Kuddeboek	SP
Geb. dtm	2021-05-24
Oud.	2.3 jaar
Inteling	16.41%
Geb. Status	3
Nageslag	
Geen	

REMKUIL BOERDERY (EDMS) BPK

Caledon, Western Cape
remkuil@ruens.co.za



Groeï			Reproduksie			
Spn. Dir.	Spn. Mat.	Na-Spn.	GLS	TWW	OEL	ILP
99	103	104	104	104	101	80
63%	58%	61%	51%	51%	48%	41%

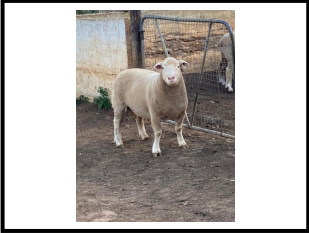


EBV Analise 2023-08-21

Logix Meriete Indeks	104
Groeï Indeks	104
Reproduksie Indeks	107

VERKOPER OPMERKINGS:

LOT 19 (M)



REM KUI L BOERDERY (EDMS) BPK

Caledon, Western Cape
remkuil@ruens.co.za

JT 210426

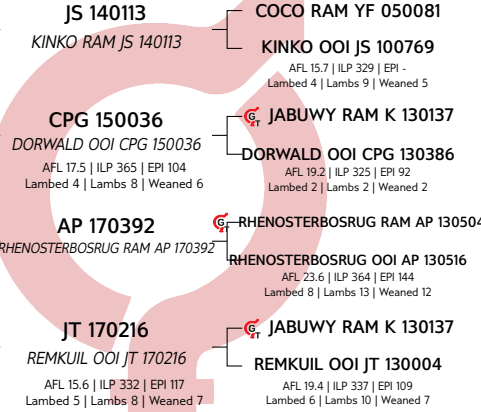
REM KUI L RAM JT 210426



Herd Book	SP
Birth date	2021-06-17
Age	2.2 years
Inbreeding	7.33%
Birth Stat.	2
Progeny	None

CPG 160485
DORWALD RAM CPG 160485
Parentage Sire Dam
DNA
Genomic

JT 190668
REM KUI L OOI JT 190668
AFL 23.6 ILP 363 EPI 97
Lambd 3 Lambs 6 Weaned 3



Growth			Reproduction			
Wn. Dir.	Wean Mat.	Post-Wn.	NLW	TWW	AFL	ILP
106	106	110	84	84	100	116
62%	56%	61%	45%	45%	43%	33%



EBV Analysis 2023-08-21

Logix Merit Index	104
Growth Index	112
Reproduction Index	97

SELLER REMARKS:

LOT 20 (M)



H.S. LEGGAT

Plettenberg Bay, Western Cape
0826972341
heididormers@gmail.com

BFF 210033

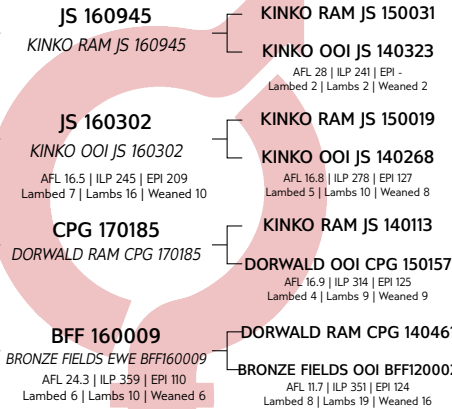
BRONZE FIELDS RAM BFF210033



Herd Book	SP
Birth date	2021-08-11
Age	2.1 years
Inbreeding	5.6%
Birth Stat.	1
Progeny	
In Herd	2
Total	2
Herds Used	1

JS 180421
KINKO RAM JS180421
Parentage Sire Dam
DNA
Genomic

BFF 190016
BRONZE FIELDS EWE BFF190016
AFL 24.2 ILP 361 EPI 97
Lambd 3 Lambs 5 Weaned 1



Growth			Reproduction			
Wn. Dir.	Wean Mat.	Post-Wn.	NLW	TWW	AFL	ILP
111	88	118	95	95	79	103
58%	43%	52%	30%	30%	34%	25%



EBV Analysis 2023-08-21

Logix Merit Index	101
Growth Index	108
Reproduction Index	87

SELLER REMARKS:

LOT 21 (M)



H.S. LEGGAT

Plettenberg Bay, Western Cape
0826972341
heididormers@gmail.com

BFF 210096

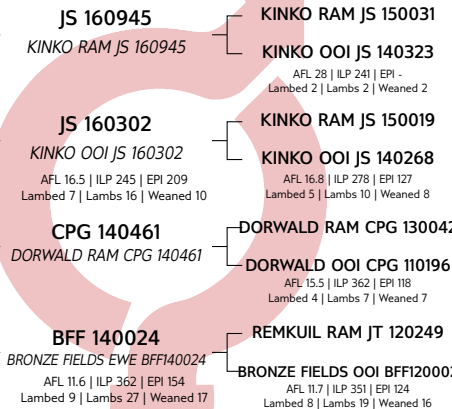
BRONZE FIELDS RAM BFF210096



Herd Book	SP
Birth date	2021-08-18
Age	2 years
Inbreeding	5.6%
Birth Stat.	2
Progeny	
In Herd	5
Total	5
Herds Used	1

JS 180421
KINKO RAM JS180421
Parentage Sire Dam
DNA
Genomic

BFF 180091
BRONZE FIELDS EWE BFF180091
AFL 22.9 ILP 365 EPI 105
Lambd 4 Lambs 9 Weaned 3



Growth			Reproduction			
Wn. Dir.	Wean Mat.	Post-Wn.	NLW	TWW	AFL	ILP
114	97	123	110	110	92	93
59%	46%	53%	34%	34%	36%	27%



EBV Analysis 2023-08-21

Logix Merit Index	116
Growth Index	115
Reproduction Index	109

SELLER REMARKS:

LOT 22 (M)

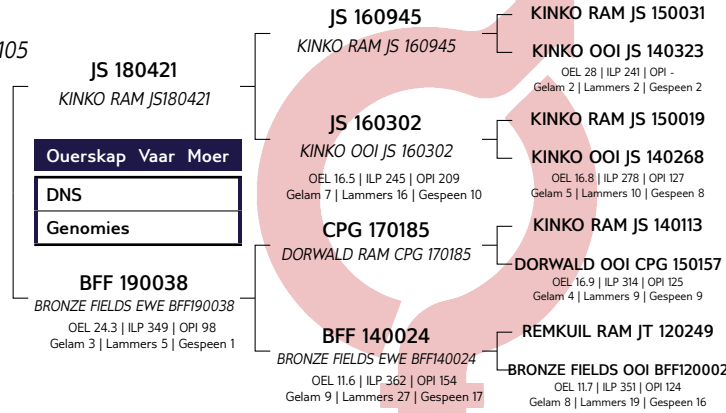


H.S. LEGGAT
Plettenberg Bay, Western Cape
0826972341
heididormers@gmail.com

BFF 210105

BRONZE FIELDS RAM BFF210105

Kuddeboek	SP
Geb. dtm	2021-08-20
Oud.	2 jaar
Inteling	5.66%
Geb. Status	1
Nageslag	
Geen	



Groeï			Reproduksie			
Spn. Dir.	Spn. Mat.	Na-Spn.	GLS	TWW	OEL	ILP
114	87	119	114	114	78	106
59%	44%	52%	31%	31%	34%	25%



EBV Analise 2023-08-21

Logix Meriete Indeks	113
Groeï Indeks	111
Reproduksie Indeks	103

VERKOPER OPMERKINGS:

LOT 23 (M)

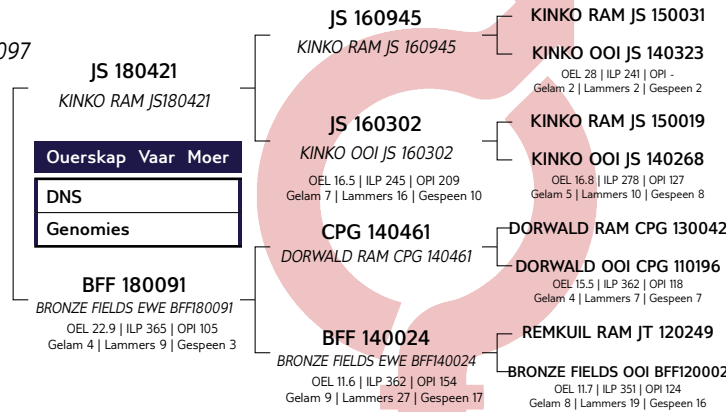


H.S. LEGGAT
Plettenberg Bay, Western Cape
0826972341
heididormers@gmail.com

BFF 210097

BRONZE FIELDS RAM BFF210097

Kuddeboek	SP
Geb. dtm	2021-08-18
Oud.	2 jaar
Inteling	5.6%
Geb. Status	2
Nageslag	
In Kudde	11
Totaal	11
Kuddes Gebruik	1



Groeï			Reproduksie			
Spn. Dir.	Spn. Mat.	Na-Spn.	GLS	TWW	OEL	ILP
114	96	122	110	110	92	93
59%	46%	53%	34%	34%	36%	27%



EBV Analise 2023-08-21

Logix Meriete Indeks	116
Groeï Indeks	116
Reproduksie Indeks	109

VERKOPER OPMERKINGS:

LOT 24 (M)

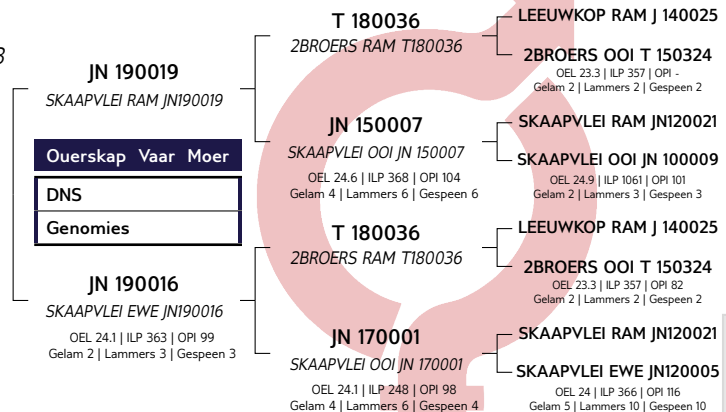


J.J. NEL & SEUN
Lady Grey, Eastern Cape
vickienj@posdit.co.za

JN 210023

SKAAPVLEI RAM JN 210023

Kuddeboek	SP
Geb. dtm	2021-08-08
Oud.	2.1 jaar
Inteling	24%
Geb. Status	2
Nageslag	
Geen	



Groeï			Reproduksie			
Spn. Dir.	Spn. Mat.	Na-Spn.	GLS	TWW	OEL	ILP
89	94	86	74	74	86	120
56%	42%	16%	31%	31%	29%	23%



EBV Analise 2023-08-21

Logix Meriete Indeks	77
Groeï Indeks	89
Reproduksie Indeks	73

VERKOPER OPMERKINGS:

LOT 25 (M)



J.J. NEL & SEUN
Lady Grey, Eastern Cape
vickienjj@posdit.co.za

JN 210076

SKAAPVLEI RAM JN 210076

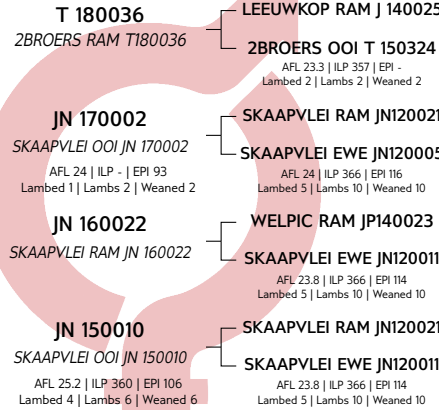


Herd Book	SP
Birth date	2021-08-23
Age	2 years
Inbreeding	17.08%
Birth Stat.	2
Progeny	None

JN 190009
SKAAPVLEI RAM JN190009

Parentage Sire Dam
DNA
Genomic

JN 180041
SKAAPVLEI EWE JN180041
AFL 23.9 | ILP 368 | EPI 103
Lambded 3 | Lambs 5 | Weaned 5



Growth			Reproduction			
Wn. Dir.	Wean Mat.	Post-Wn.	NLW	TWW	AFL	ILP
89	105	88	79	79	100	120
57%	44%	15%	32%	32%	29%	22%



EBV Analysis 2023-08-21

Logix Merit Index	87
Growth Index	94
Reproduction Index	88

SELLER REMARKS:

LOT 26 (M)



HEUNINGKRAMS
Smithfield, Free State
0832792677
heuningkrans@chisas.com

EJ 220009

HEUNINGKRAMS RAM EJ220009

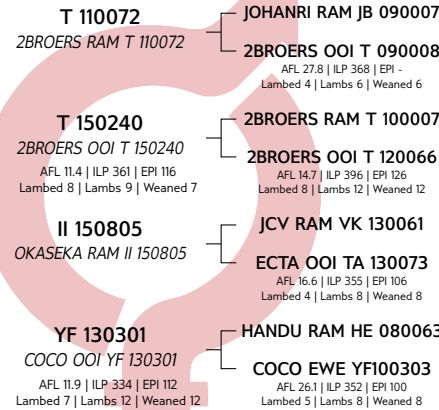


Herd Book	SP
Birth date	2022-03-26
Age	1.4 years
Inbreeding	4.4%
Birth Stat.	1
Progeny	None

T 170051
2BROERS RAM T 170051

Parentage Sire Dam
DNA
Genomic

EJ 170678
HEUNINGKRAMS OOI EJ170678
AFL 10 | ILP 437 | EPI 102
Lambded 4 | Lambs 4 | Weaned 4



Growth			Reproduction			
Wn. Dir.	Wean Mat.	Post-Wn.	NLW	TWW	AFL	ILP
103	106	102	83	83	99	86
59%	51%	24%	39%	39%	32%	27%



EBV Analysis 2023-08-21

Logix Merit Index	98
Growth Index	109
Reproduction Index	92

SELLER REMARKS:

LOT 27 (M)



HEUNINGKRAMS
Smithfield, Free State
0832792677
heuningkrans@chisas.com

EJ 220012

HEUNINGKRAMS RAM EJ220012

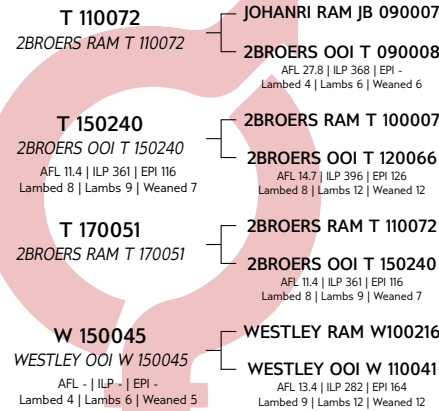


Herd Book	SP
Birth date	2022-03-27
Age	1.4 years
Inbreeding	28.31%
Birth Stat.	1
Progeny	None

T 170051
2BROERS RAM T 170051

Parentage Sire Dam
DNA
Genomic

EJ 190620
HEUNINGKRAMS OOI EJ190620
AFL 18.5 | ILP 386 | EPI 108
Lambded 2 | Lambs 2 | Weaned 2



Growth			Reproduction			
Wn. Dir.	Wean Mat.	Post-Wn.	NLW	TWW	AFL	ILP
104	99	103	80	80	103	82
59%	49%	23%	37%	37%	34%	27%



EBV Analysis 2023-08-21

Logix Merit Index	94
Growth Index	107
Reproduction Index	85

SELLER REMARKS:

LOT 28 (M)



HEUNINGKRAMS

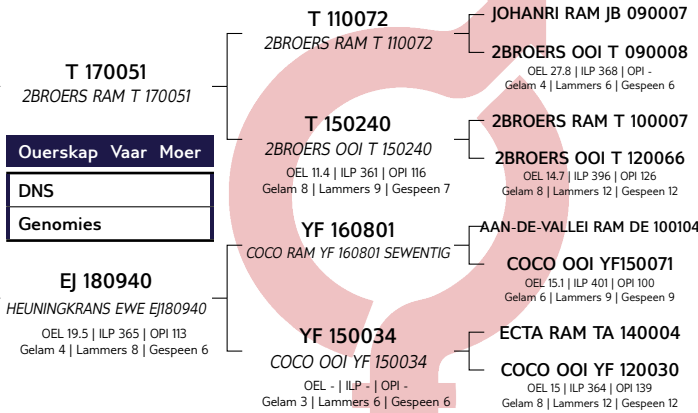
Smithfield, Free State
0832792677
heuningkrans@chisas.com

EJ 220003

HEUNINGKRAMS RAM EJ220003



Kuddeboek	SP
Geb. dtm	2022-03-25
Oud.	1.4 jaar
Inteling	4.19%
Geb. Status	2
Nageslag	
Geen	



Groeï			Reproduksie			
Spn. Dir.	Spn. Mat.	Na-Spn.	GLS	TWW	OEL	ILP
95	98	96	101	101	101	92
59%	51%	23%	38%	38%	33%	26%



EBV Analise 2023-08-21

Logix Meriete Indeks	99
Groeï Indeks	98
Reproduksie Indeks	102

VERKOPER OPMERKINGS:

LOT 29 (M)



WESTMAR DORMERS

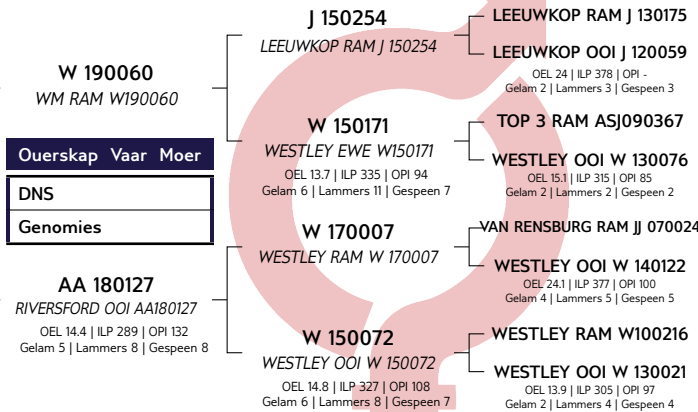
Petrusburg, Free State
0714711827
willie.est@gmail.com

W 220016

WM RAM W 220016



Kuddeboek	SP
Geb. dtm	2022-05-17
Oud.	1.3 jaar
Inteling	6.07%
Geb. Status	2
Nageslag	
Geen	



Groeï			Reproduksie			
Spn. Dir.	Spn. Mat.	Na-Spn.	GLS	TWW	OEL	ILP
97	103	97	101	101	95	99
62%	49%	27%	36%	36%	31%	26%



EBV Analise 2023-08-21

Logix Meriete Indeks	101
Groeï Indeks	102
Reproduksie Indeks	104

VERKOPER OPMERKINGS: Entings: Rev1, Slendal, Bloutong A,B,C en Multivax P Plus.

LOT 30 (M)



WESTMAR DORMERS

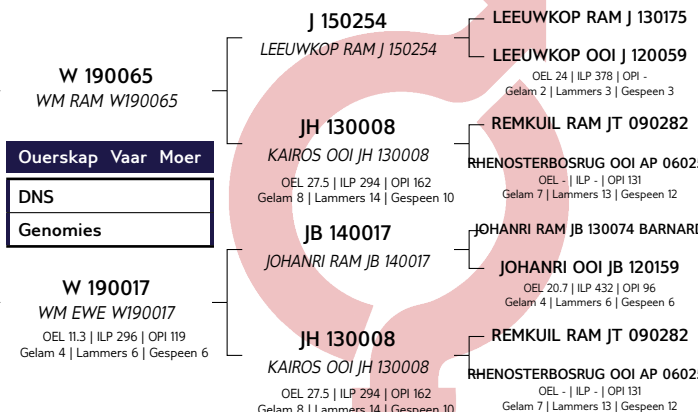
Petrusburg, Free State
0714711827
willie.est@gmail.com

W 220005

WM RAM W 220005



Kuddeboek	SP
Geb. dtm	2022-05-17
Oud.	1.3 jaar
Inteling	16.26%
Geb. Status	2
Nageslag	
Geen	



Groeï			Reproduksie			
Spn. Dir.	Spn. Mat.	Na-Spn.	GLS	TWW	OEL	ILP
98	89	99	121	121	96	116
56%	47%	29%	38%	38%	34%	28%



EBV Analise 2023-08-21

Logix Meriete Indeks	109
Groeï Indeks	96
Reproduksie Indeks	114

VERKOPER OPMERKINGS: Entings: Rev1, Slendal, Bloutong A,B,C en Multivax P Plus.

LOT 31 (M)



WESTMAR DORMERS
 Petrusburg, Free State
 0714711827
 willie.est@gmail.com



W 220007

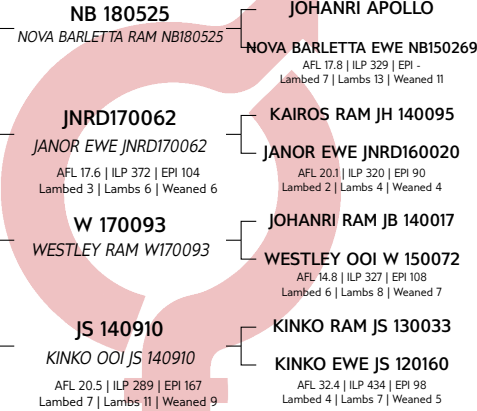
WM RAM W 220007

Herd Book	SP
Birth date	2022-05-17
Age	1.3 years
Inbreeding	4.86%
Birth Stat.	2
Progeny	None

JNRD200223
 JANOR RAM JNRD200223

Parentage Sire Dam
DNA
Genomic

W 190045
 WM EWE W190045
 AFL 21.3 | ILP 323 | EPI 114
 Lambed 3 | Lams 6 | Weaned 6



Growth			Reproduction			
Wn. Dir.	Wean Mat.	Post-Wn.	NLW	TWW	AFL	ILP
100	106	106	102	102	103	87
51%	41%	28%	30%	30%	25%	22%



EBV Analysis 2023-08-21

Logix Merit Index	105
Growth Index	105
Reproduction Index	108

SELLER REMARKS: Entings: Rev1, Slendal, Bloutong A,B,C en Multivax P Plus.

LOT 32 (M)



WESTMAR DORMERS
 Petrusburg, Free State
 0714711827
 willie.est@gmail.com



W 220014

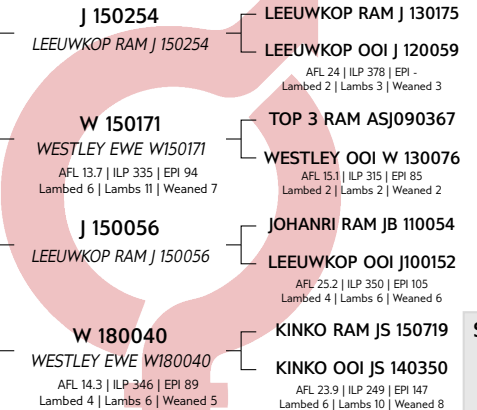
WM RAM W 220014

Herd Book	SP
Birth date	2022-05-17
Age	1.3 years
Inbreeding	4.73%
Birth Stat.	2
Progeny	None

W 190060
 WM RAM W190060

Parentage Sire Dam
DNA
Genomic

W 190080
 WM EWE W190080
 AFL 20.2 | ILP 331 | EPI 109
 Lambed 3 | Lams 6 | Weaned 6



Growth			Reproduction			
Wn. Dir.	Wean Mat.	Post-Wn.	NLW	TWW	AFL	ILP
99	100	101	118	118	101	95
61%	48%	26%	35%	35%	31%	25%



EBV Analysis 2023-08-21

Logix Merit Index	111
Growth Index	102
Reproduction Index	118

SELLER REMARKS: Entings: Rev1, Slendal, Bloutong A,B,C en Multivax P Plus.

LOT 33 (M)



WESTMAR DORMERS
 Petrusburg, Free State
 0714711827
 willie.est@gmail.com



W 220022

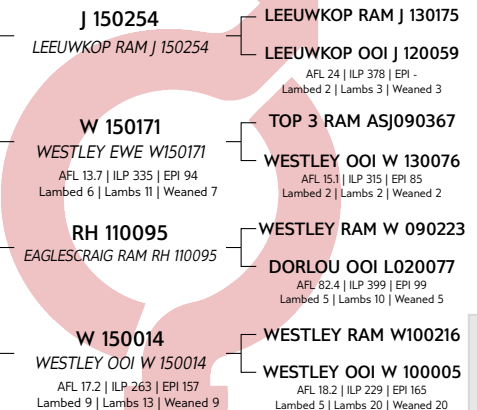
WM RAM W 220022

Herd Book	SP
Birth date	2022-05-17
Age	1.3 years
Inbreeding	4.88%
Birth Stat.	1
Progeny	None

W 190060
 WM RAM W190060

Parentage Sire Dam
DNA
Genomic

W 160055
 WESTLEY OOI W 160055
 AFL 23.7 | ILP 340 | EPI 167
 Lambed 6 | Lams 11 | Weaned 11



Growth			Reproduction			
Wn. Dir.	Wean Mat.	Post-Wn.	NLW	TWW	AFL	ILP
107	101	106	108	108	88	107
63%	51%	32%	40%	40%	35%	28%



EBV Analysis 2023-08-21

Logix Merit Index	111
Growth Index	110
Reproduction Index	109

SELLER REMARKS: Entings: Rev1, Slendal, Bloutong A,B,C en Multivax P Plus.

LOT 34 (M)



COCO BOERDERY
Bloemfontein, Limpopo
johan.allphase@gmail.com



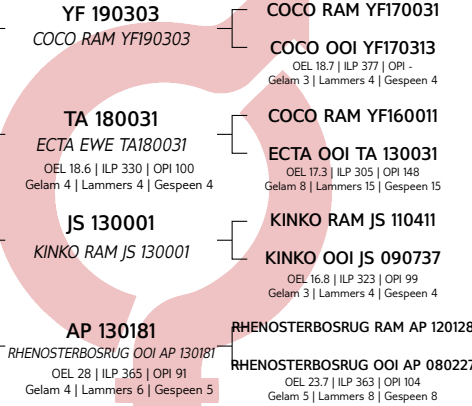
GV 220061

LOKI RAM GV220061

Kuddeboek	SP
Geb. dtm	2022-04-12
Oud.	1.4 jaar
Inteling	3.94%
Geb. Status	2
Nageslag	
In Kudde	2
Totaal	3
Kuddes Gebruik	2

GV 210031 LOKI RAM GV210031
Ouerskap Vaar Moer
DNS
Genomies

AP 150661 RHENOSTERBOSRUG OOI AP150661
OEL - ILP - OPI - Gelam 6 Lammers 9 Gespeen 9



Groeï			Reproduksie			
Spn. Dir.	Spn. Mat.	Na-Spn.	GLS	TWW	OEL	ILP
95	100	100	100	100	102	109
58%	42%	35%	30%	30%	23%	19%



EBV Analise 2023-08-21

Logix Meriete Indeks	100
Groeï Indeks	98
Reproduksie Indeks	103

VERKOPER OPMERKINGS:

LOT 35 (M)



COCO BOERDERY
Bloemfontein, Limpopo
johan.allphase@gmail.com



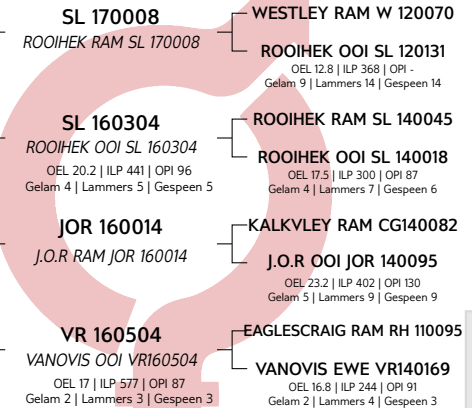
YF 220040

COCO RAM YF220040

Kuddeboek	SP
Geb. dtm	2022-03-30
Oud.	1.4 jaar
Inteling	4.7%
Geb. Status	1
Nageslag	
Geen	

SL 190039 ROOIEK RAM SL190039
Ouerskap Vaar Moer
DNS
Genomies

YF 190040 COCO OOI YF190040
OEL 15.5 ILP 293 OPI 100 Gelam 4 Lammers 5 Gespeen 5



Groeï			Reproduksie			
Spn. Dir.	Spn. Mat.	Na-Spn.	GLS	TWW	OEL	ILP
102	96	100	94	94	96	116
53%	41%	25%	30%	30%	23%	20%



EBV Analise 2023-08-21

Logix Meriete Indeks	101
Groeï Indeks	103
Reproduksie Indeks	97

VERKOPER OPMERKINGS:

LOT 36 (M)



UMPUKANE DORMERS
Clocolan, Free State
peet@umpukane.co.za



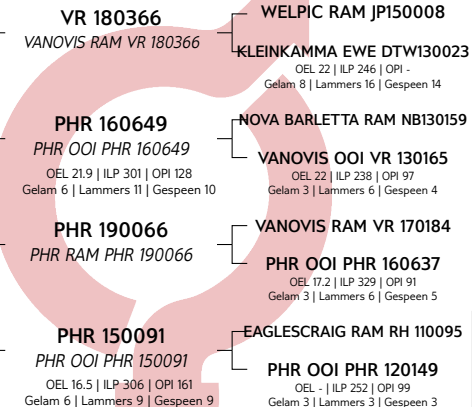
PHR 220008

PHR RAM PHR 220008

Kuddeboek	SP
Geb. dtm	2022-04-10
Oud.	1.4 jaar
Inteling	6.41%
Geb. Status	1
Nageslag	
Geen	

PHR 200373 PHR RAM PHR 200373
Ouerskap Vaar Moer
DNS
Genomies

PHR 200422 PHR OOI PHR 200422
OEL 18.3 ILP 357 OPI 104 Gelam 2 Lammers 2 Gespeen 2



Groeï			Reproduksie			
Spn. Dir.	Spn. Mat.	Na-Spn.	GLS	TWW	OEL	ILP
118	93	114	100	100	109	101
59%	42%	38%	30%	30%	27%	20%



EBV Analise 2023-08-21

Logix Meriete Indeks	117
Groeï Indeks	117
Reproduksie Indeks	105

VERKOPER OPMERKINGS:

LOT 37 (M)



UMPUKANE DORMERS
Clocolan, Free State
peet@umpukane.co.za

PHR 220035

PHR RAM PHR 220035

Herd Book	SP
Birth date	2022-04-15
Age	1.4 years
Inbreeding	4.82%
Birth Stat.	3
Progeny	None



PHR 200373
PHR RAM PHR 200373

Parentage Sire Dam

DNA

Genomic

PHR 180400
PHR OOI PHR 180400
AFL 28.4 | ILP 372 | EPI 117
Lambded 3 | Lams 7 | Weaned 7

VR 180366
VANOVIS RAM VR 180366

PHR 160649
PHR OOI PHR 160649
AFL 21.9 | ILP 301 | EPI 128
Lambded 6 | Lams 11 | Weaned 10

CG 160020
KALKVLEY RAM CG160020

VR 160547
VANOVIS OOI VR160547
AFL 20.2 | ILP 251 | EPI 93
Lambded 3 | Lams 5 | Weaned 5

WELPIC RAM JP150008
KLEINKAMMA EWE DTW130023
AFL 22 | ILP 246 | EPI -
Lambded 8 | Lams 16 | Weaned 14

NOVA BARLETTA RAM NB130159
VANOVIS OOI VR 130165
AFL 22 | ILP 238 | EPI 97
Lambded 3 | Lams 6 | Weaned 4

JOHANRI RAM JB 140017
KALKVLEY OOI CG 130046
AFL 17.8 | ILP 420 | EPI 108
Lambded 5 | Lams 6 | Weaned 6

EAGLESCRAIG RAM RH 110095
VANOVIS OOI VR110102
AFL - | ILP 242 | EPI 136
Lambded 8 | Lams 15 | Weaned 14

Growth			Reproduction			
Wn. Dir.	Wean Mat.	Post-Wn.	NLW	TWW	AFL	ILP
112	101	114	110	110	104	108
61%	47%	38%	32%	32%	29%	23%



EBV Analysis 2023-08-21

Logix Merit Index	120
Growth Index	116
Reproduction Index	117

SELLER REMARKS:

LOT 38 (M)



UMPUKANE DORMERS
Clocolan, Free State
peet@umpukane.co.za

PHR 220004

PHR RAM PHR 220004

Herd Book	SP
Birth date	2022-04-09
Age	1.4 years
Inbreeding	4.41%
Birth Stat.	1
Progeny	None



PHR 200373
PHR RAM PHR 200373

Parentage Sire Dam

DNA

Genomic

PHR 150478
PHR OOI PHR 150478
AFL 16.4 | ILP 312 | EPI 149
Lambded 8 | Lams 11 | Weaned 10

VR 180366
VANOVIS RAM VR 180366

PHR 160649
PHR OOI PHR 160649
AFL 21.9 | ILP 301 | EPI 128
Lambded 6 | Lams 11 | Weaned 10

JH 130006
KAIROS RAM JH 130006

PHR 140222
PHR OOI PHR 140222
AFL 16.9 | ILP 243 | EPI 91
Lambded 2 | Lams 3 | Weaned 3

WELPIC RAM JP150008
KLEINKAMMA EWE DTW130023
AFL 22 | ILP 246 | EPI -
Lambded 8 | Lams 16 | Weaned 14

NOVA BARLETTA RAM NB130159
VANOVIS OOI VR 130165
AFL 22 | ILP 238 | EPI 97
Lambded 3 | Lams 6 | Weaned 4

REMKUIL RAM JT 090282
RHENOSTERBOSRUG OOI AP 060253
AFL - | ILP - | EPI 131
Lambded 7 | Lams 13 | Weaned 12

EAGLESCRAIG RAM RH 110095
PHR OOI PHR 120153
AFL - | ILP 252 | EPI 99
Lambded 3 | Lams 3 | Weaned 3

Growth			Reproduction			
Wn. Dir.	Wean Mat.	Post-Wn.	NLW	TWW	AFL	ILP
109	103	109	100	100	105	121
62%	48%	43%	35%	35%	30%	23%



EBV Analysis 2023-08-21

Logix Merit Index	116
Growth Index	114
Reproduction Index	111

SELLER REMARKS:

LOT 39 (M)



UMPUKANE DORMERS
Clocolan, Free State
peet@umpukane.co.za

PHR 220022

PHR RAM PHR 220022

Herd Book	SP
Birth date	2022-04-12
Age	1.4 years
Inbreeding	4.69%
Birth Stat.	2
Progeny	None



PHR 200373
PHR RAM PHR 200373

Parentage Sire Dam

DNA

Genomic

PHR 150255
PHR OOI PHR 150255
AFL 16.6 | ILP 282 | EPI 144
Lambded 8 | Lams 11 | Weaned 9

VR 180366
VANOVIS RAM VR 180366

PHR 160649
PHR OOI PHR 160649
AFL 21.9 | ILP 301 | EPI 128
Lambded 6 | Lams 11 | Weaned 10

DZ 110041
DROERIVIER RAM DZ 110041

VR 140080
VANOVIS EWE VR140080
AFL 15.7 | ILP 286 | EPI 118
Lambded 5 | Lams 8 | Weaned 8

WELPIC RAM JP150008
KLEINKAMMA EWE DTW130023
AFL 22 | ILP 246 | EPI -
Lambded 8 | Lams 16 | Weaned 14

NOVA BARLETTA RAM NB130159
VANOVIS OOI VR 130165
AFL 22 | ILP 238 | EPI 97
Lambded 3 | Lams 6 | Weaned 4

DROERIVIER RAM DZ 090208
DROERIVIER EWE DZ 060142
AFL 11.7 | ILP 326 | EPI 125
Lambded 6 | Lams 10 | Weaned 10

AAN-DE-VALLEI RAM DE 100104
IREMEY OOI I 110252
AFL 14.3 | ILP 257 | EPI 201
Lambded 10 | Lams 18 | Weaned 14

Growth			Reproduction			
Wn. Dir.	Wean Mat.	Post-Wn.	NLW	TWW	AFL	ILP
113	100	113	98	98	116	107
62%	49%	44%	37%	37%	32%	25%



EBV Analysis 2023-08-21

Logix Merit Index	117
Growth Index	116
Reproduction Index	110

SELLER REMARKS:

LOT 40 (M)



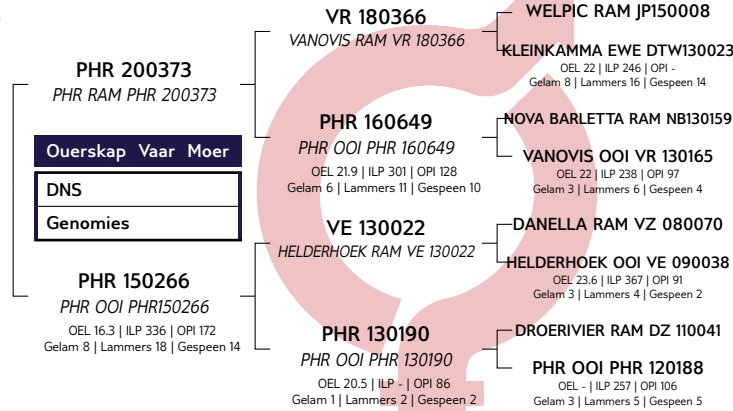
PHR 220053

PHR RAM PHR 220053

Kuddeboek	SP
Geb. dtm	2022-04-17
Oud.	1.4 jaar
Inteling	6.87%
Geb. Status	3
Nageslag	
Geen	

UMPUKANE DORMERS

Clocolan, Free State
peet@umpukane.co.za



Groi			Reproduksie			
Spn. Dir.	Spn. Mat.	Na-Spn.	GLS	TWW	OEL	ILP
111	94	110	107	107	109	104
62%	48%	43%	35%	35%	30%	23%



EBV Analise 2023-08-21

Logix Meriete Indeks	116
Groi Indeks	111
Reproduksie Indeks	111

VERKOPER OPMERKINGS:

LOT 41 (M)



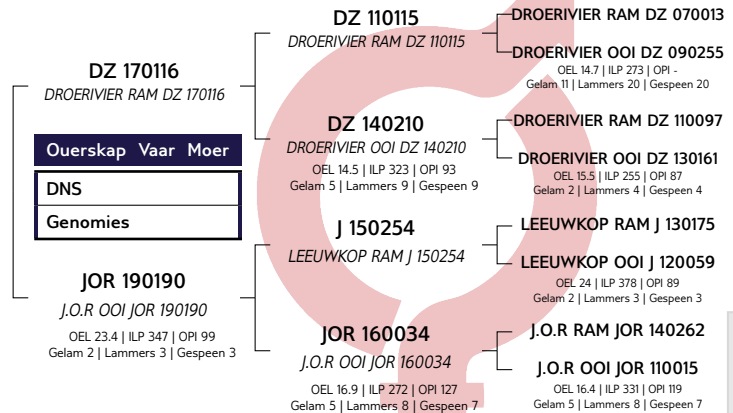
JOR 210060

J.O.R RAM JOR 210060

Kuddeboek	SP
Geb. dtm	2021-08-22
Oud.	2 jaar
Inteling	4.43%
Geb. Status	1
Nageslag	
Geen	

ABEL EN CHARLES JORDAAN

Cradock, Eastern Cape
0765206417
charlesj@ovk.co.za



Groi			Reproduksie			
Spn. Dir.	Spn. Mat.	Na-Spn.	GLS	TWW	OEL	ILP
106	76	100	129	129	114	99
63%	57%	52%	47%	47%	45%	36%



EBV Analise 2023-08-21

Logix Meriete Indeks	116
Groi Indeks	98
Reproduksie Indeks	118

VERKOPER OPMERKINGS: Rev1 , Bloutong A,B en C.

LOT 42 (M)



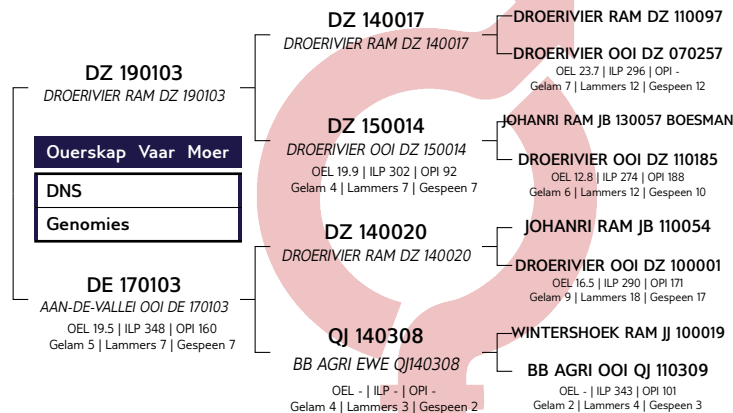
JOR 210092

J.O.R RAM JOR 210092

Kuddeboek	SP
Geb. dtm	2021-08-26
Oud.	2 jaar
Inteling	7.28%
Geb. Status	2
Nageslag	
Geen	

ABEL EN CHARLES JORDAAN

Cradock, Eastern Cape
0765206417
charlesj@ovk.co.za



Groi			Reproduksie			
Spn. Dir.	Spn. Mat.	Na-Spn.	GLS	TWW	OEL	ILP
107	112	103	91	91	89	95
62%	52%	55%	43%	43%	39%	34%



EBV Analise 2023-08-21

Logix Meriete Indeks	107
Groi Indeks	116
Reproduksie Indeks	101

VERKOPER OPMERKINGS: Rev1 , Bloutong A,B en C.

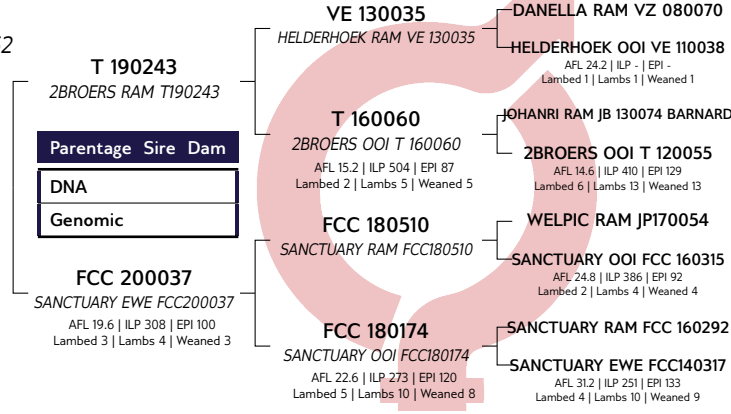
LOT 43 (M)



FCC 210152 SANCTUARY RAM FCC210152

Herd Book	SP
Birth date	2021-08-27
Age	2 years
Inbreeding	6.55%
Birth Stat.	2
Progeny	None

F.C. CLOETE
Cradock, Eastern Cape
wjcloete@live.co.za



Growth			Reproduction			
Wn. Dir.	Wean Mat.	Post-Wn.	NLW	TWW	AFL	ILP
115	104	111	105	105	116	93
64%	55%	50%	40%	40%	43%	29%

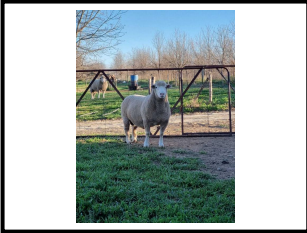


EBV Analysis 2023-08-21

Logix Merit Index	123
Growth Index	120
Reproduction Index	118

SELLER REMARKS:

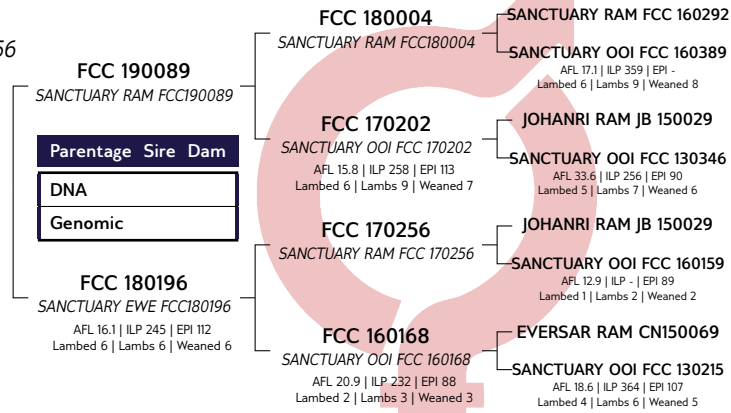
LOT 44 (M)



FCC 210056 SANCTUARY RAM FCC210056

Herd Book	SP
Birth date	2021-08-11
Age	2.1 years
Inbreeding	12.83%
Birth Stat.	1
Progeny	
In Herd	0
Total	18
Herds Used	1

F.C. CLOETE
Cradock, Eastern Cape
wjcloete@live.co.za



Growth			Reproduction			
Wn. Dir.	Wean Mat.	Post-Wn.	NLW	TWW	AFL	ILP
121	113	119	86	86	108	119
55%	46%	45%	35%	35%	30%	23%



EBV Analysis 2023-08-21

Logix Merit Index	122
Growth Index	130
Reproduction Index	108

SELLER REMARKS:

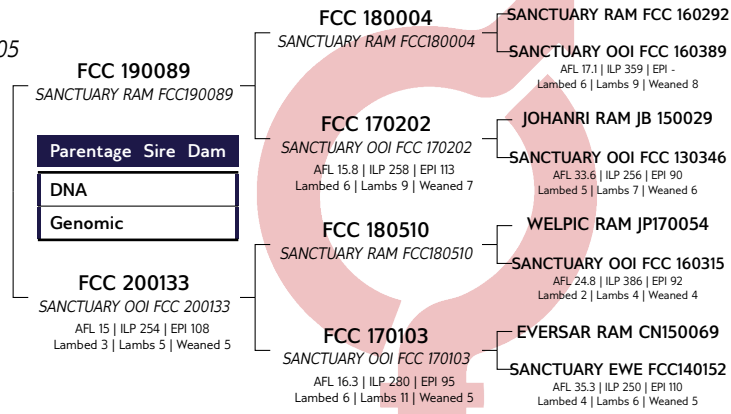
LOT 45 (M)



FCC 210205 SANCTUARY RAM FCC 210205

Herd Book	SP
Birth date	2021-08-17
Age	2 years
Inbreeding	9.99%
Birth Stat.	1
Progeny	
In Herd	28
Total	28
Herds Used	1

F.C. CLOETE
Cradock, Eastern Cape
wjcloete@live.co.za



Growth			Reproduction			
Wn. Dir.	Wean Mat.	Post-Wn.	NLW	TWW	AFL	ILP
117	118	113	97	97	105	102
75%	48%	45%	33%	33%	30%	22%



EBV Analysis 2023-08-21

Logix Merit Index	124
Growth Index	128
Reproduction Index	117

SELLER REMARKS:

LOT 46 (M)



G.M.C. ORPEN
Barkly East, Eastern Cape
0824909647
avoca@eci.co.za



GMO 210008

AVOCA VICTOR

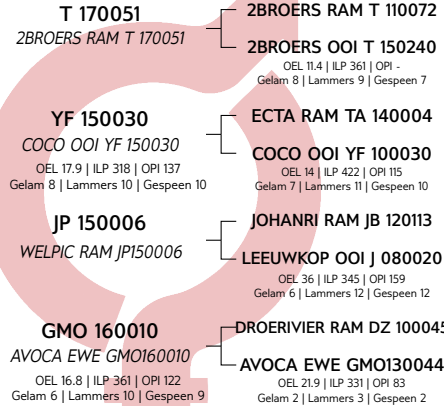
Kuddeboek	SP
Geb. dtm	2021-02-13
Oud.	2.5 jaar
Inteling	4.38%
Geb. Status	2
Nageslag	
In Kudde	1
Totaal	1
Kuddes Gebruik	1

EJ 190002
HEUNINGKRANS VLEIS

Ouerskap	Vaar	Moer
DNS		
Genomies		

GMO 170061
AVOCA EWE GMO 170061

OEL 12.7 | ILP 332 | OPI 110
Gelam 6 | Lammers 8 | Gespeen 5



Groeï			Reproduksie			
Spn. Dir.	Spn. Mat.	Na-Spn.	GLS	TWW	OEL	ILP
98	92	96	97	97	107	110
60%	49%	22%	37%	37%	36%	27%



EBV Analise 2023-08-21

Logix Meriete Indeks	99
Groeï Indeks	97
Reproduksie Indeks	98

VERKOPER OPMERKINGS:

LOT 47 (M)



G.M.C. ORPEN
Barkly East, Eastern Cape
0824909647
avoca@eci.co.za



GMO 210086

AVOCA RAM GMO210086

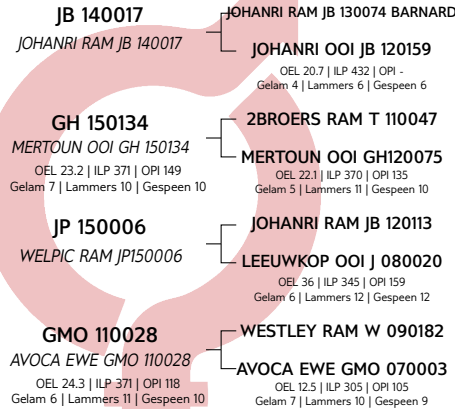
Kuddeboek	SP
Geb. dtm	2021-08-25
Oud.	2 jaar
Inteling	4.91%
Geb. Status	1
Nageslag	
Geen	

GH 180295
MERTOUN RAM GH180295

Ouerskap	Vaar	Moer
DNS		
Genomies		

GMO 180116
AVOCA EWE GMO180116

OEL 35.2 | ILP 349 | OPI 100
Gelam 2 | Lammers 3 | Gespeen 3



Groeï			Reproduksie			
Spn. Dir.	Spn. Mat.	Na-Spn.	GLS	TWW	OEL	ILP
90	88	91	121	121	97	105
61%	51%	24%	40%	40%	37%	28%



EBV Analise 2023-08-21

Logix Meriete Indeks	100
Groeï Indeks	87
Reproduksie Indeks	111

VERKOPER OPMERKINGS:

LOT 48 (M)



G.M.C. ORPEN
Barkly East, Eastern Cape
0824909647
avoca@eci.co.za



MS 200080

MOUNTAIN SHADOWS MOUNTAIN

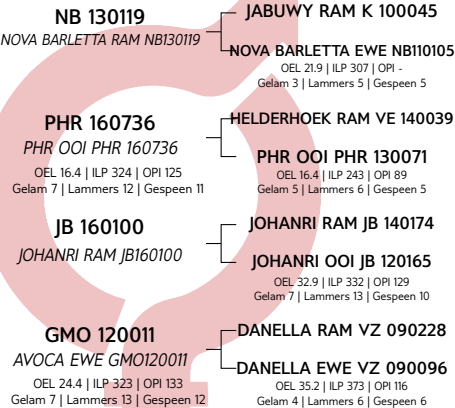
Kuddeboek	SP
Geb. dtm	2020-08-25
Oud.	3 jaar
Inteling	4.44%
Geb. Status	2
Nageslag	
In Kudde	60
Totaal	60
Kuddes Gebruik	1

PHR 180319
PHR RAM PHR 180319

Ouerskap	Vaar	Moer
DNS		
Genomies		

MS 180001
MOUNTAIN SHADOWS OOI MS180001

OEL 13 | ILP 249 | OPI 125
Gelam 6 | Lammers 11 | Gespeen 9



Groeï			Reproduksie			
Spn. Dir.	Spn. Mat.	Na-Spn.	GLS	TWW	OEL	ILP
89	114	93	109	109	95	109
60%	51%	32%	39%	39%	35%	27%



EBV Analise 2023-08-21

Logix Meriete Indeks	105
Groeï Indeks	100
Reproduksie Indeks	117

VERKOPER OPMERKINGS:

LOT 49 (M)

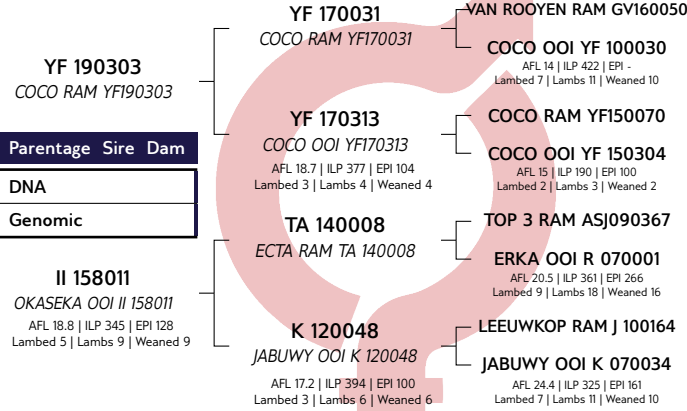


LOKI DORMERS
0820937650
johan.allphase@gmail.com

GV 210090

LOKI RAM GV210090

Herd Book	SP
Birth date	2021-03-17
Age	2.5 years
Inbreeding	6.47%
Birth Stat.	1
Progeny	
None	



Growth			Reproduction			
Wn. Dir.	Wean Mat.	Post-Wn.	NLW	TWW	AFL	ILP
103	104	103	107	107	93	111
58%	44%	45%	26%	26%	21%	19%



EBV Analysis 2023-08-21

Logix Merit Index	111
Growth Index	108
Reproduction Index	111

SELLER REMARKS:

LOT 50 (M)

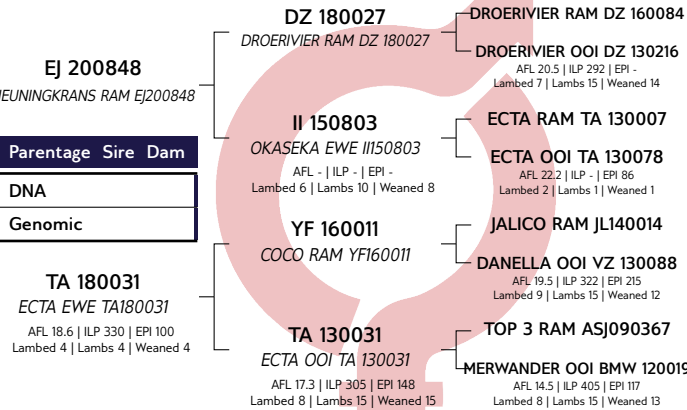


LOKI DORMERS
0820937650
johan.allphase@gmail.com

GV 220031

LOKI RAM GV220031

Herd Book	SP
Birth date	2022-03-14
Age	1.5 years
Inbreeding	8.36%
Birth Stat.	1
Progeny	
In Herd	0
Total	2
Herds Used	1



Growth			Reproduction			
Wn. Dir.	Wean Mat.	Post-Wn.	NLW	TWW	AFL	ILP
90	105	93	111	111	105	112
57%	41%	27%	29%	29%	26%	20%



EBV Analysis 2023-08-21

Logix Merit Index	105
Growth Index	96
Reproduction Index	116

SELLER REMARKS:

LOT 51 (M)

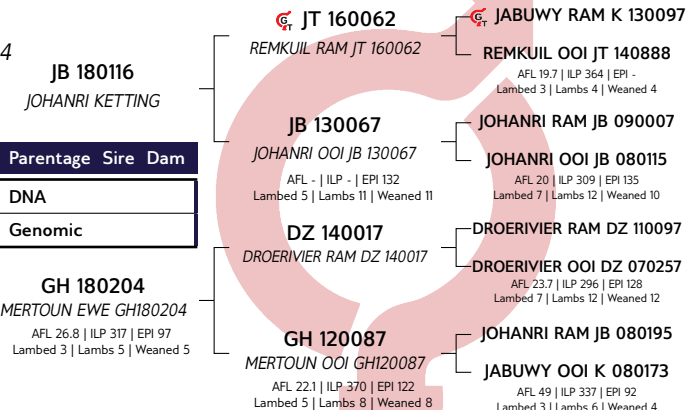


THABA KWENA DORMERS
Modimolle, Limpopo
0718969800
admin@tkwena.co.za

TK 210034

THABA KWENA DOM RAM TK210034

Herd Book	SP
Birth date	2021-09-18
Age	1.9 years
Inbreeding	6.16%
Birth Stat.	1
Progeny	
In Herd	12
Total	12
Herds Used	1



Growth			Reproduction			
Wn. Dir.	Wean Mat.	Post-Wn.	NLW	TWW	AFL	ILP
129	84	124	105	105	75	64
66%	56%	43%	42%	42%	41%	31%



EBV Analysis 2023-08-21

Logix Merit Index	114
Growth Index	124
Reproduction Index	92

SELLER REMARKS: Hou saad aandeel terug. Beproeftu Kuddevaar.

LOT 52 (M)



THABA KWENA DORMERS
Modimolle, Limpopo
0718969800
admin@tkwena.co.za

TK 210047

THABA KWENA DOM RAM TK210047



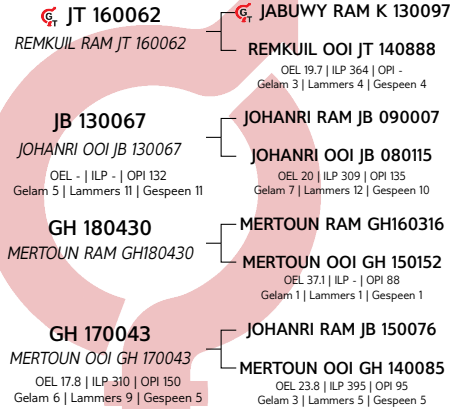
Kuddeboek	SP
Geb. dtm	2021-10-18
Oud.	1.9 jaar
Inteling	5.32%
Geb. Status	1
Nageslag	
In Kudde	10
Totaal	11
Kuddes Gebruik	2

JB 180116
JOHANRI KETTING

Ouerskap	Vaar	Moer
DNS		
Genomies		

GH 190605
MERTOUN EWE GH190605

OEL 22.7 | ILP 292 | OPI 107
Gelam 2 | Lammers 2 | Gespeen 2



Groi			Reproduksie			
Spn. Dir.	Spn. Mat.	Na-Spn.	GLS	TWW	OEL	ILP
119	97	118	107	107	94	90
66%	53%	38%	38%	38%	38%	26%



EBV Analise 2023-08-21

Logix Meriete Indeks	119
Groi Indeks	121
Reproduksie Indeks	108

VERKOPER OPMERKINGS: Hou saad aandeel terug. Beproefde Kuddevaar.

LOT 53 (M)



P. JORDAAN
Somerset East, Eastern Cape
0765130473
bffarms01@gmail.com

P 210001

BUFFELSFONTEIN RAM P210001



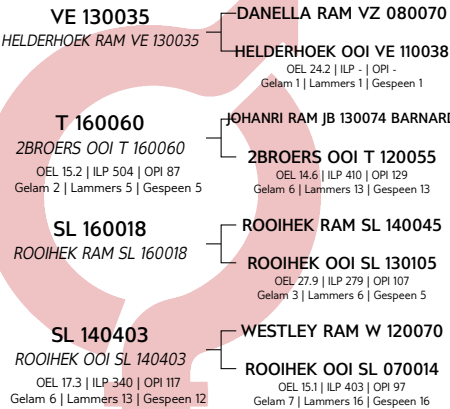
Kuddeboek	SP
Geb. dtm	2021-08-01
Oud.	2.1 jaar
Inteling	5.82%
Geb. Status	2
Nageslag	
Geen	

T 190243
2BROERS RAM T190243

Ouerskap	Vaar	Moer
DNS		
Genomies		

SL 190028
ROOIEK OOI SL 190028

OEL 28.5 | ILP - | OPI 98
Gelam 1 | Lammers 2 | Gespeen 2



Groi			Reproduksie			
Spn. Dir.	Spn. Mat.	Na-Spn.	GLS	TWW	OEL	ILP
110	107	106	109	109	115	91
62%	53%	42%	39%	39%	40%	28%

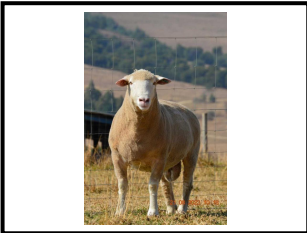


EBV Analise 2023-08-21

Logix Meriete Indeks	121
Groi Indeks	116
Reproduksie Indeks	121

VERKOPER OPMERKINGS:

LOT 54 (M)



WAGENBIETJIESHOEK
Lydenburg, Mpumalanga
0825572139
alta@wagenbietjieshoek.co.za

JGP 210012

WBH RAM JGP 210012



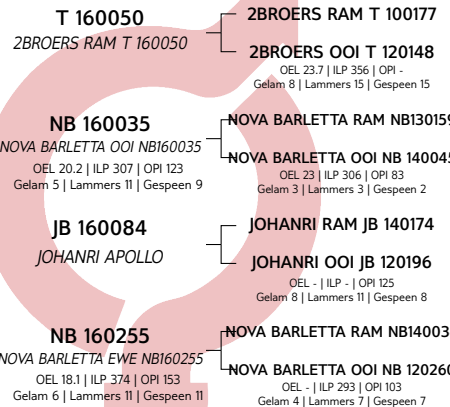
Kuddeboek	SP
Geb. dtm	2021-03-10
Oud.	2.5 jaar
Inteling	4.91%
Geb. Status	2
Nageslag	
Geen	

NB 190462
NOVA BARLETTA RAM NB190462

Ouerskap	Vaar	Moer
DNS		
Genomies		

NB 180519
NOVA BARLETTA EWE NB180519

OEL 20.2 | ILP 360 | OPI 105
Gelam 3 | Lammers 6 | Gespeen 5



Groi			Reproduksie			
Spn. Dir.	Spn. Mat.	Na-Spn.	GLS	TWW	OEL	ILP
100	110	101	97	97	128	92
63%	54%	58%	42%	42%	43%	34%



EBV Analise 2023-08-21

Logix Meriete Indeks	110
Groi Indeks	108
Reproduksie Indeks	115

VERKOPER OPMERKINGS:

LOT 55 (M)



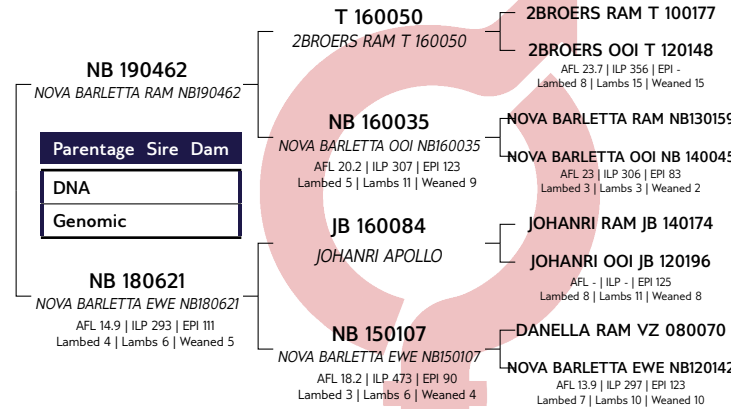
JGP 210008

WBH RAM JGP 210008

Herd Book	SP
Birth date	2021-03-10
Age	2.5 years
Inbreeding	5.95%
Birth Stat.	2
Progeny	None

WAGENBIETJIESHOEK

Lydenburg, Mpumalanga
0825572139
alta@wagenbietjieshoek.co.za



Growth			Reproduction			
Wn. Dir.	Wean Mat.	Post-Wn.	NLW	TWW	AFL	ILP
106	106	105	93	93	109	105
63%	54%	58%	43%	43%	44%	35%



EBV Analysis 2023-08-21

Logix Merit Index	110
Growth Index	112
Reproduction Index	106

SELLER REMARKS:

LOT 56 (M)



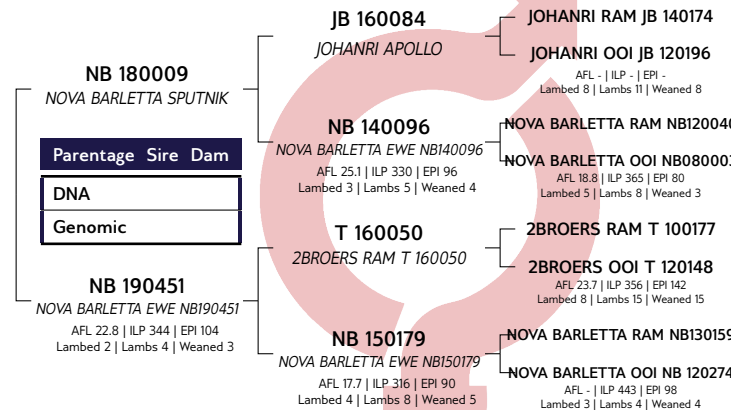
JGP 210022

WBH RAM JGP 210022

Herd Book	SP
Birth date	2021-04-05
Age	2.4 years
Inbreeding	5.38%
Birth Stat.	2
Progeny	None

WAGENBIETJIESHOEK

Lydenburg, Mpumalanga
0825572139
alta@wagenbietjieshoek.co.za



Growth			Reproduction			
Wn. Dir.	Wean Mat.	Post-Wn.	NLW	TWW	AFL	ILP
111	96	100	100	100	112	112
63%	57%	55%	47%	47%	47%	37%



EBV Analysis 2023-08-21

Logix Merit Index	114
Growth Index	112
Reproduction Index	107

SELLER REMARKS:

LOT 57 (M)



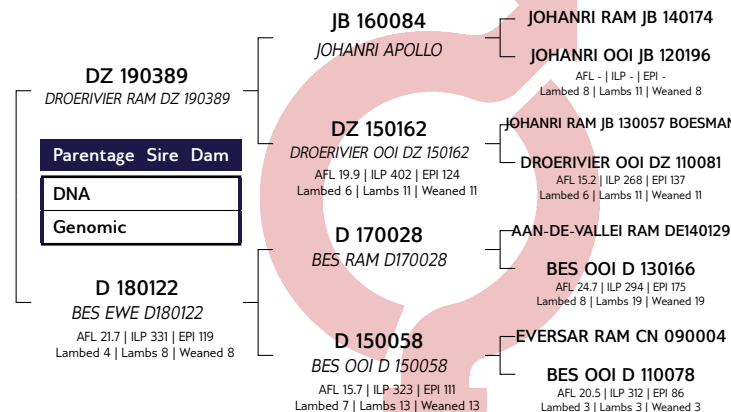
D 220019

BES RAM D 220019

Herd Book	SP
Birth date	2022-02-28
Age	1.5 years
Inbreeding	6.55%
Birth Stat.	2
Progeny	None

RUSTICANA DORMERS

Bethal, Mpumalanga
0824608541
rusticana@mweb.co.za



Growth			Reproduction			
Wn. Dir.	Wean Mat.	Post-Wn.	NLW	TWW	AFL	ILP
109	110	116	102	102	90	106
63%	54%	54%	41%	41%	38%	30%



EBV Analysis 2023-08-21

Logix Merit Index	115
Growth Index	117
Reproduction Index	111

SELLER REMARKS:

LOT 58 (M)



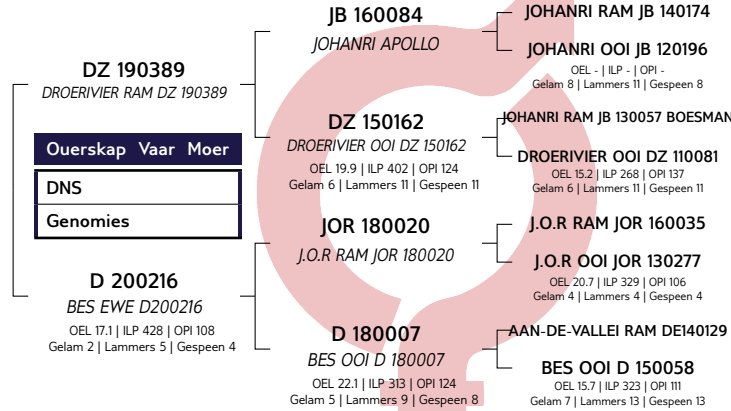
D 220025

BES RAM D 220025

Kuddeboek	SP
Geb. dtm	2022-02-28
Oud.	1.5 jaar
Inteling	5.41%
Geb. Status	2
Nageslag	
Geen	

RUSTICANA DORMERS

Bethal, Mpumalanga
0824608541
rusticana@mweb.co.za



Groeï			Reproduksie			
Spn. Dir.	Spn. Mat.	Na-Spn.	GLS	TWW	OEL	ILP
103	113	106	93	93	93	108
62%	52%	54%	39%	39%	39%	29%



EBV Analise 2023-08-21

Logix Meriete Indeks	106
Groeï Indeks	112
Reproduksie Indeks	105

VERKOPER OPMERKINGS:

LOT 59 (M)



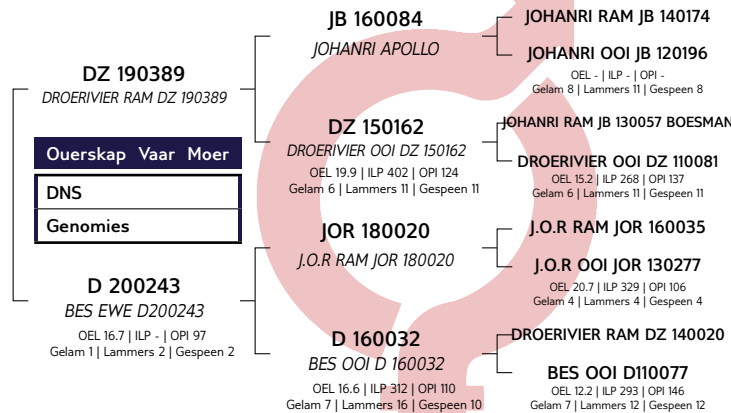
D 220037

BES RAM D 220037

Kuddeboek	SP
Geb. dtm	2022-03-03
Oud.	1.5 jaar
Inteling	5.74%
Geb. Status	2
Nageslag	
Geen	

RUSTICANA DORMERS

Bethal, Mpumalanga
0824608541
rusticana@mweb.co.za



Groeï			Reproduksie			
Spn. Dir.	Spn. Mat.	Na-Spn.	GLS	TWW	OEL	ILP
106	109	108	90	90	91	102
62%	51%	55%	39%	39%	40%	29%

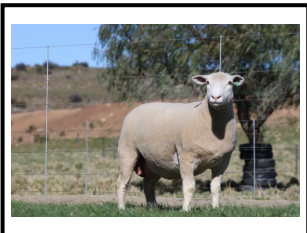


EBV Analise 2023-08-21

Logix Meriete Indeks	105
Groeï Indeks	113
Reproduksie Indeks	99

VERKOPER OPMERKINGS:

LOT 60 (F)



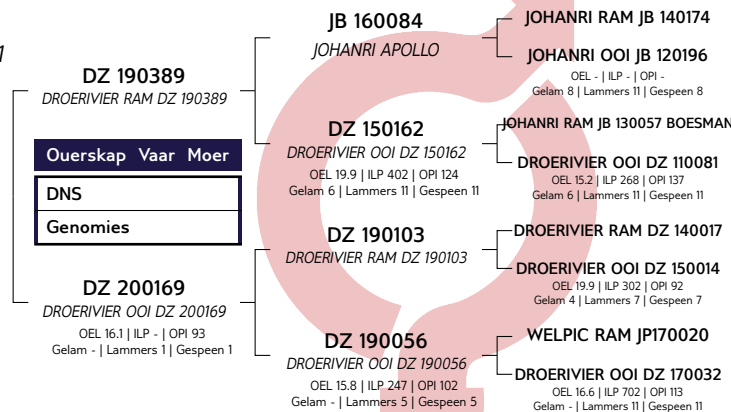
DZ 210411

DROERIVIER OOI DZ 210411

Kuddeboek	SP
Geb. dtm	2021-10-30
Oud.	1.8 jaar
Inteling	7.88%
Geb. Status	1
OEL ILP OPI	
-	-

2 STEYNS BOERDERY

Venterstad, Eastern Cape
0824782470
steyn1903@gmail.com



Groeï			Reproduksie			
Spn. Dir.	Spn. Mat.	Na-Spn.	GLS	TWW	OEL	ILP
94	115	100	100	100	97	100
61%	49%	48%	39%	39%	40%	29%

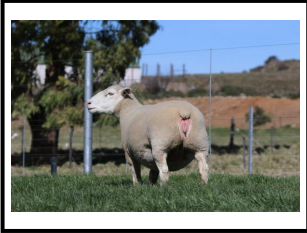


EBV Analise 2023-08-21

Logix Meriete Indeks	103
Groeï Indeks	104
Reproduksie Indeks	110

VERKOPER OPMERKINGS: Dragtig van ram DZ 21 0225 (TYSON)

LOT 61 (F)



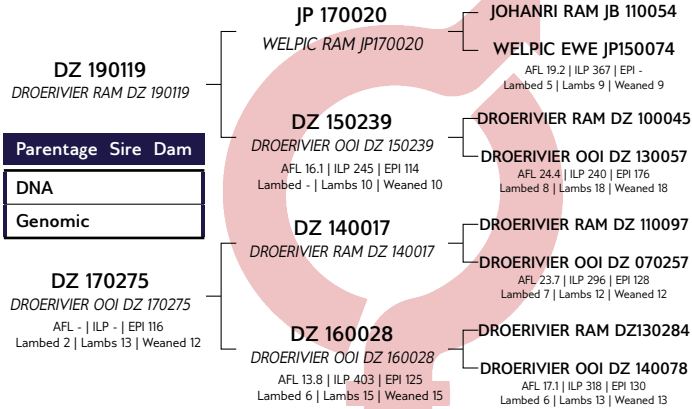
DZ 200286

DROERIVIER OOI DZ 200286

Herd Book	SP	
Birth date	2020-06-29	
Age	3.2 years	
Inbreeding	5.01%	
Birth Stat.	3	
AFL	ILP	EPI
16.6m	245d	92
Lambled	1	
Lambs	3	
Weaned	1	

2 STEYNS BOERDERY

Venterstad, Eastern Cape
0824782470
steyn1903@gmail.com



Growth			Reproduction			
Wn. Dir.	Wean Mat.	Post-Wn.	NLW	TWW	AFL	ILP
106	89	103	117	117	104	114
64%	60%	36%	47%	47%	45%	37%



EBV Analysis 2023-08-21

Logix Merit Index	115
Growth Index	104
Reproduction Index	114

SELLER REMARKS: Dragtig van ram DZ 21 0225 (TYSON)

LOT 62 (F)



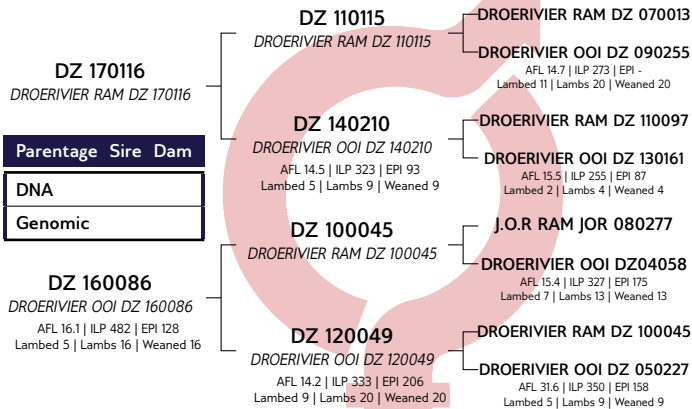
DZ 200084

DROERIVIER OOI DZ 200084

Herd Book	SP	
Birth date	2020-02-29	
Age	3.5 years	
Inbreeding	8.12%	
Birth Stat.	2	
AFL	ILP	EPI
16m	480d	107
Lambled	2	
Lambs	5	
Weaned	5	

2 STEYNS BOERDERY

Venterstad, Eastern Cape
0824782470
steyn1903@gmail.com



Growth			Reproduction			
Wn. Dir.	Wean Mat.	Post-Wn.	NLW	TWW	AFL	ILP
116	82	107	123	123	124	104
70%	71%	48%	56%	56%	51%	42%



EBV Analysis 2023-08-21

Logix Merit Index	126
Growth Index	110
Reproduction Index	123

SELLER REMARKS: Dragtig van ram DZ 21 0225 (TYSON)

LOT 63 (F)



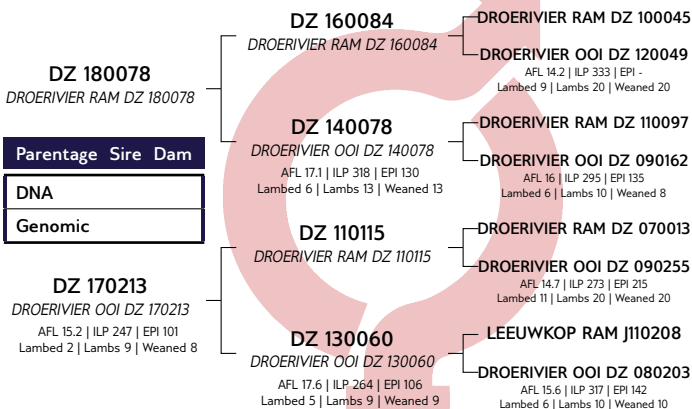
DZ 190148

DROERIVIER OOI DZ 190148

Herd Book	SP	
Birth date	2019-07-06	
Age	4.2 years	
Inbreeding	6.72%	
Birth Stat.	2	
AFL	ILP	EPI
23.7m	484d	100
Lambled	2	
Lambs	4	
Weaned	4	

2 STEYNS BOERDERY

Venterstad, Eastern Cape
0824782470
steyn1903@gmail.com



Growth			Reproduction			
Wn. Dir.	Wean Mat.	Post-Wn.	NLW	TWW	AFL	ILP
106	88	103	89	89	82	124
65%	65%	34%	50%	50%	42%	35%



EBV Analysis 2023-08-21

Logix Merit Index	97
Growth Index	104
Reproduction Index	85

SELLER REMARKS: Dragtig van ram DZ 21 0225 (TYSON)

LOT 64 (F)



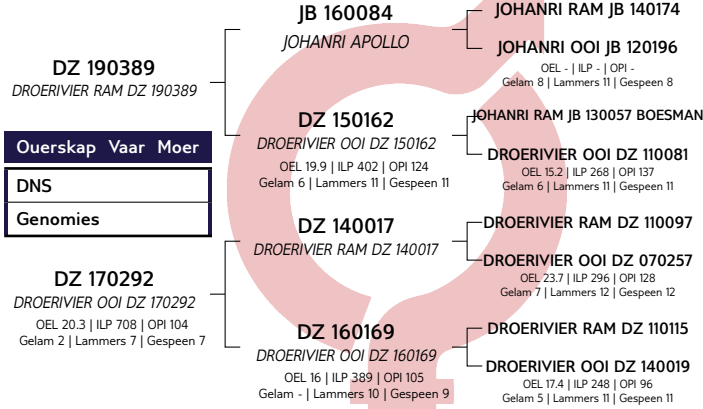
DZ 210247

DROERIVIER OOI DZ 210247

Kuddeboek	SP	
Geb. dtm	2021-06-28	
Oud.	2.2 jaar	
Inteling	6.08%	
Geb. Status	2	
OEL	ILP	OPI
15.8m	-	99
Gelam	1	
Lammers	2	
Gespeen	1	

2 STEYNS BOERDERY

Venterstad, Eastern Cape
0824782470
steyn1903@gmail.com



Groeï			Reproduksie			
Spn. Dir.	Spn. Mat.	Na-Spn.	GLS	TWW	OEL	ILP
107	108	109	93	93	95	89
64%	59%	50%	47%	47%	47%	34%



EBV Analise 2023-08-21

Logix Meriete Indeks	106
Groeï Indeks	114
Reproduksie Indeks	101

VERKOPER OPMERKINGS: Dragtig van ram DZ 21 0225 (TYSON)

LOT 65 (F)



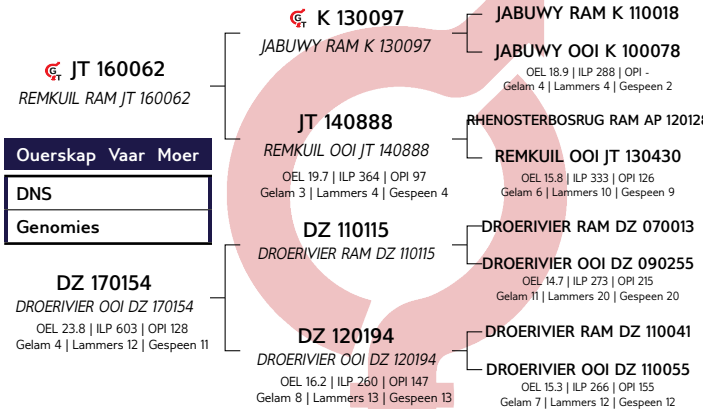
DZ 200033

DROERIVIER OOI DZ 200033

Kuddeboek	SP	
Geb. dtm	2020-02-27	
Oud.	3.5 jaar	
Inteling	5.56%	
Geb. Status	1	
OEL	ILP	OPI
16m	481d	106
Gelam	2	
Lammers	5	
Gespeen	5	

2 STEYNS BOERDERY

Venterstad, Eastern Cape
0824782470
steyn1903@gmail.com



Groeï			Reproduksie			
Spn. Dir.	Spn. Mat.	Na-Spn.	GLS	TWW	OEL	ILP
109	93	117	101	101	99	104
69%	71%	48%	55%	55%	51%	41%

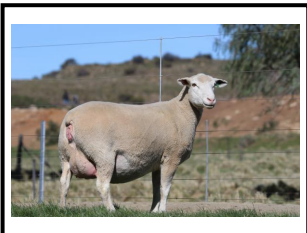


EBV Analise 2023-08-21

Logix Meriete Indeks	109
Groeï Indeks	109
Reproduksie Indeks	102

VERKOPER OPMERKINGS: Dragtig van ram DZ 21 0225 (TYSON)

LOT 66 (F)



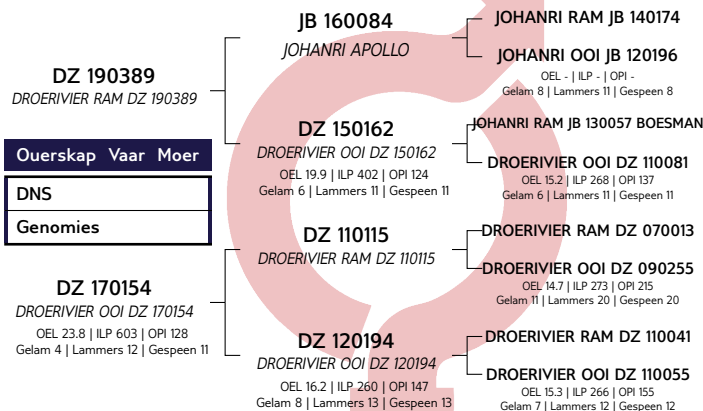
DZ 210226

DROERIVIER OOI DZ 210226

Kuddeboek	SP	
Geb. dtm	2021-06-28	
Oud.	2.2 jaar	
Inteling	5.21%	
Geb. Status	2	
OEL	ILP	OPI
15.6m	-	98
Gelam	1	
Lammers	1	
Gespeen	1	

2 STEYNS BOERDERY

Venterstad, Eastern Cape
0824782470
steyn1903@gmail.com



Groeï			Reproduksie			
Spn. Dir.	Spn. Mat.	Na-Spn.	GLS	TWW	OEL	ILP
100	102	105	89	89	98	100
66%	60%	51%	47%	47%	48%	34%



EBV Analise 2023-08-21

Logix Meriete Indeks	97
Groeï Indeks	104
Reproduksie Indeks	94

VERKOPER OPMERKINGS: Dragtig van ram DZ 21 0225 (TYSON)

LOT 67 (F)



DZ 210422

DROERIVIER OOI DZ 210422

Herd Book	SP	
Birth date	2021-10-30	
Age	1.8 years	
Inbreeding	6.67%	
Birth Stat.	2	
AFL	ILP	EPI
-	-	-

2 STEYNS BOERDERY

Venterstad, Eastern Cape
0824782470
steyn1903@gmail.com

DZ 190389
DROERIVIER RAM DZ 190389

Parentage Sire Dam

DNA

Genomic

DZ 200260
DROERIVIER OOI DZ 200260

AFL 16.1 | ILP 274 | EPI 112
Lambled 2 | Lams 5 | Weaned 4

JB 160084
JOHANRI APOLLO

DZ 150162
DROERIVIER OOI DZ 150162

AFL 19.9 | ILP 402 | EPI 124
Lambled 6 | Lams 11 | Weaned 11

DZ 190119
DROERIVIER RAM DZ 190119

DZ 170265
DROERIVIER OOI DZ 170265

AFL 15.7 | ILP 661 | EPI 102
Lambled 2 | Lams 7 | Weaned 7

JOHANRI RAM JB 140174

JOHANRI OOI JB 120196

AFL - | ILP - | EPI -
Lambled 8 | Lams 11 | Weaned 8

JOHANRI RAM JB 130057 BOESMAN

DROERIVIER OOI DZ 110081

AFL 15.2 | ILP 268 | EPI 137
Lambled 6 | Lams 11 | Weaned 11

WELPIC RAM JP170020

DROERIVIER OOI DZ 150239

AFL 16.1 | ILP 245 | EPI 114
Lambled - | Lams 10 | Weaned 10

DROERIVIER RAM DZ 160168

DROERIVIER OOI DZ 140027

AFL 17.4 | ILP 248 | EPI 84
Lambled 6 | Lams 9 | Weaned 7

Growth			Reproduction			
Wn. Dir.	Wean Mat.	Post-Wn.	NLW	TWW	AFL	ILP
107	115	111	96	96	91	96
62%	52%	45%	39%	39%	40%	30%



EBV Analysis 2023-08-21

Logix Merit Index	111
Growth Index	117
Reproduction Index	107

SELLER REMARKS: Dragtig van ram DZ 21 0225 (TYSON)

LOT 68 (F)



DZ 200412

DROERIVIER OOI DZ 200412

Herd Book	SP	
Birth date	2020-11-15	
Age	2.8 years	
Inbreeding	5.3%	
Birth Stat.	1	
AFL	ILP	EPI
23.2m	-	115
Lambled	1	
Lams	3	
Weaned	3	

2 STEYNS BOERDERY

Venterstad, Eastern Cape
0824782470
steyn1903@gmail.com

JB 160084
JOHANRI APOLLO

Parentage Sire Dam

DNA

Genomic

DZ 190186
DROERIVIER OOI DZ 190186

AFL 23.8 | ILP - | EPI 99
Lambled 1 | Lams 4 | Weaned 4

JB 140174
JOHANRI RAM JB 140174

JB 120196
JOHANRI OOI JB 120196

AFL - | ILP - | EPI 125
Lambled 8 | Lams 11 | Weaned 8

DZ 170116
DROERIVIER RAM DZ 170116

DZ 170148
DROERIVIER OOI DZ 170148

AFL 15.6 | ILP 726 | EPI 117
Lambled 3 | Lams 11 | Weaned 11

KINKO RAM JS 110387

JOHANRI OOI JB 130121

AFL 15.2 | ILP - | EPI -
Lambled 1 | Lams 2 | Weaned 2

JOHANRI RAM JB 110087

JOHANRI OOI JB 100136

AFL - | ILP - | EPI 136
Lambled 8 | Lams 14 | Weaned 11

DROERIVIER RAM DZ 110115

DROERIVIER OOI DZ 140210

AFL 14.5 | ILP 323 | EPI 93
Lambled 5 | Lams 9 | Weaned 9

DROERIVIER RAM DZ 140017

DROERIVIER OOI DZ 150166

AFL 16.2 | ILP 303 | EPI 117
Lambled - | Lams 12 | Weaned 12

Growth			Reproduction			
Wn. Dir.	Wean Mat.	Post-Wn.	NLW	TWW	AFL	ILP
109	101	103	104	104	107	95
66%	67%	53%	57%	57%	55%	48%



EBV Analysis 2023-08-21

Logix Merit Index	114
Growth Index	112
Reproduction Index	111

SELLER REMARKS: Dragtig van ram DZ 21 0225 (TYSON)

LOT 69 (F)



JT 200575

REMKUIL OOI JT 200575

Herd Book	SP	
Birth date	2020-10-05	
Age	2.9 years	
Inbreeding	4.46%	
Birth Stat.	1	
AFL	ILP	EPI
19.5m	-	98
Lambled	1	
Lams	1	
Weaned	1	

REMKUIL BOERDERY (EDMS) BPK

Caledon, Western Cape
remkuil@ruens.co.za

JT 160623
REMKUIL RAM JT 160623

Parentage Sire Dam

DNA

Genomic

JT 190370
REMKUIL OOI JT 190370

AFL 16.5 | ILP 315 | EPI 95
Lambled 3 | Lams 3 | Weaned 2

K 130137
JABUWY RAM K 130137

JT 140345
REMKUIL OOI JT 140345

AFL 15.7 | ILP 327 | EPI 117
Lambled 5 | Lams 9 | Weaned 9

AP 150314
RHENOSTERBOSRUG RAM AP 150314

JT 150238
REMKUIL OOI JT 150238

AFL 15.6 | ILP 330 | EPI 119
Lambled 5 | Lams 9 | Weaned 8

JABUWY RAM K 110018

JABUWY OOI K 090124

AFL 23.4 | ILP 273 | EPI -
Lambled 5 | Lams 8 | Weaned 6

THORN PARK RAM SPR20120

REMKUIL OOI JT 090113

AFL 25.5 | ILP 354 | EPI 101
Lambled 5 | Lams 11 | Weaned 8

RHENOSTERBOSRUG RAM AP 130130

RHENOSTERBOSRUG OOI AP 120468

AFL 24.8 | ILP 389 | EPI 100
Lambled 5 | Lams 7 | Weaned 7

REMKUIL RAM JT 130357

REMKUIL OOI JT 090015

AFL 25.7 | ILP 356 | EPI 99
Lambled 5 | Lams 7 | Weaned 6

Growth			Reproduction			
Wn. Dir.	Wean Mat.	Post-Wn.	NLW	TWW	AFL	ILP
103	110	103	94	94	98	91
64%	61%	61%	51%	51%	50%	39%



EBV Analysis 2023-08-21

Logix Merit Index	105
Growth Index	111
Reproduction Index	103

SELLER REMARKS: Dragtig met tweeling van JT 21 0346. Lam Oktober.

LOT 70 (F)



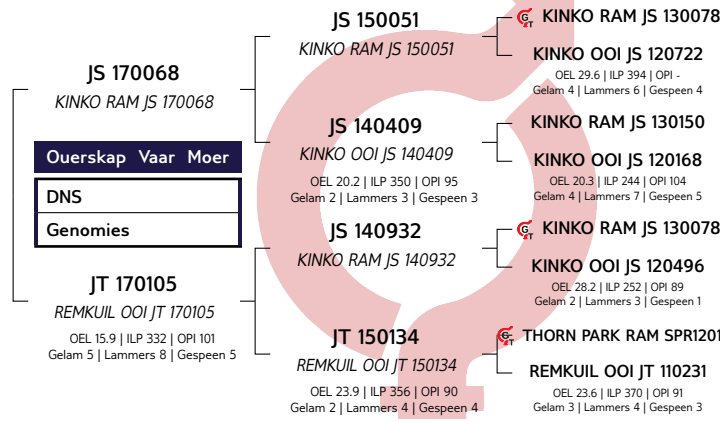
JT 210087

REM KUIL OOI JT 210087

Kuddeboek	SP	
Geb. dtm	2021-05-18	
Oud.	2.3 jaar	
Inteling	10.12%	
Geb. Status	1	
OEL	ILP	OPI
16.7m	-	-
Gelam	1	
Lammers	1	
Gespeen	0	

REM KUIL BOERDERY (EDMS) BPK

Caledon, Western Cape
remkuil@ruens.co.za



Groeï			Reproduksie			
Spn. Dir.	Spn. Mat.	Na-Spn.	GLS	TWW	OEL	ILP
108	93	103	103	103	102	94
62%	51%	50%	38%	38%	42%	25%



EBV Analise 2023-08-21

Logix Meriete Indeks	108
Groeï Indeks	108
Reproduksie Indeks	103

VERKOPER OPMERKINGS: Dragtig met tweeling van JT 21 0503. Lam Oktober.

LOT 71 (F)



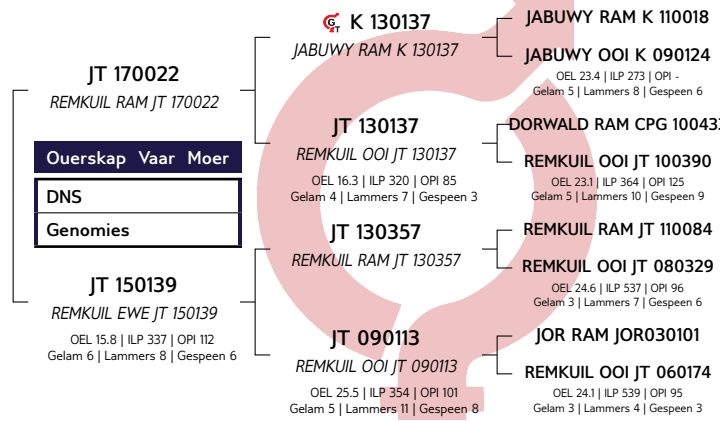
JT 210100

REM KUIL OOI JT 210100

Kuddeboek	SP	
Geb. dtm	2021-05-19	
Oud.	2.3 jaar	
Inteling	5.48%	
Geb. Status	1	
OEL	ILP	OPI
16.8m	-	99
Gelam	1	
Lammers	1	
Gespeen	1	

REM KUIL BOERDERY (EDMS) BPK

Caledon, Western Cape
remkuil@ruens.co.za



Groeï			Reproduksie			
Spn. Dir.	Spn. Mat.	Na-Spn.	GLS	TWW	OEL	ILP
92	117	98	92	92	91	112
62%	57%	50%	44%	44%	45%	30%



EBV Analise 2023-08-21

Logix Meriete Indeks	98
Groeï Indeks	103
Reproduksie Indeks	103

VERKOPER OPMERKINGS: Dragtig van JT 21 0346. Lam Oktober.

LOT 72 (F)



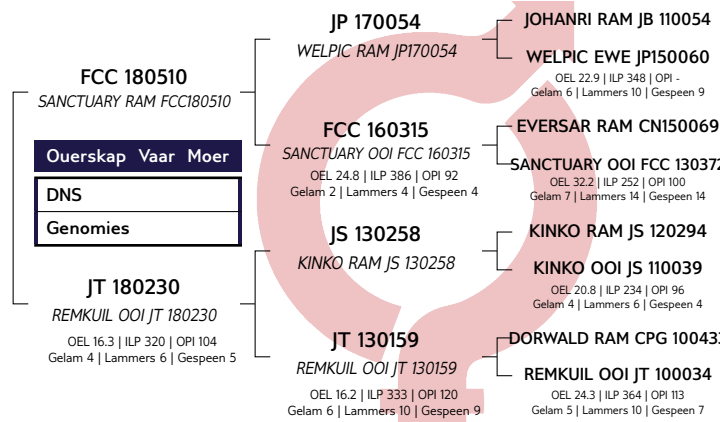
JT 210355

REM KUIL OOI JT 210355

Kuddeboek	SP	
Geb. dtm	2021-05-28	
Oud.	2.3 jaar	
Inteling	4.04%	
Geb. Status	2	
OEL	ILP	OPI
16.2m	-	109
Gelam	1	
Lammers	2	
Gespeen	2	

REM KUIL BOERDERY (EDMS) BPK

Caledon, Western Cape
remkuil@ruens.co.za



Groeï			Reproduksie			
Spn. Dir.	Spn. Mat.	Na-Spn.	GLS	TWW	OEL	ILP
105	118	111	106	106	96	103
65%	62%	56%	45%	45%	45%	29%



EBV Analise 2023-08-21

Logix Meriete Indeks	117
Groeï Indeks	117
Reproduksie Indeks	120

VERKOPER OPMERKINGS: Dragtig met tweeling van MS 19 0093. Lam Oktober.

LOT 73 (F)



REMKUIL BOERDERY (EDMS) BPK

Caledon, Western Cape
remkuil@ruens.co.za

JT 210371

REMKUIL OOI JT 210371

Herd Book	SP
Birth date	2021-05-31
Age	2.3 years
Inbreeding	4.59%
Birth Stat.	2

AFL	ILP	EPI
16m	-	97

Lambled	1
Lambs	2
Weaned	1

JT 170622

REMKUIL RAM JT 170622

Parentage Sire Dam

DNA

Genomic

JT 160466

REMKUIL OOI JT 160466

AFL 23.8 | ILP 359 | EPI 123
Lambled 5 | Lambs 9 | Weaned 9

JS 140932

KINKO RAM JS 140932

JT 150464

REMKUIL OOI JT 150464

AFL 23.5 | ILP 350 | EPI 109
Lambled 4 | Lambs 8 | Weaned 6

K 130097

JABUWY RAM K 130097

JT 140781

REMKUIL OOI JT 140781

AFL 20.3 | ILP 374 | EPI 90
Lambled 2 | Lambs 4 | Weaned 3

KINKO RAM JS 130078

KINKO OOI JS 120496

AFL 28.2 | ILP 252 | EPI -
Lambled 2 | Lambs 3 | Weaned 1

KINKO RAM JS 130258

REMKUIL OOI JT 130228

AFL 15.8 | ILP 330 | EPI 100
Lambled 5 | Lambs 7 | Weaned 6

JABUWY RAM K 110018

JABUWY OOI K 100078

AFL 18.9 | ILP 288 | EPI 80
Lambled 4 | Lambs 4 | Weaned 2

THORN PARK RAM SPR120120

REMKUIL OOI JT 100062

AFL 32.9 | ILP 442 | EPI 84
Lambled 3 | Lambs 3 | Weaned 3

Growth			Reproduction			
Wn. Dir.	Wean Mat.	Post-Wn.	NLW	TWW	AFL	ILP
96	100	96	109	109	104	81
64%	61%	56%	49%	49%	48%	33%



EBV Analysis 2023-08-21

Logix Merit Index **104**

Growth Index **99**

Reproduction Index **109**

SELLER REMARKS: Dragtig van JT 21 0503. Lam Oktober.

LOT 74 (F)



REMKUIL BOERDERY (EDMS) BPK

Caledon, Western Cape
remkuil@ruens.co.za

JT 210547

REMKUIL EWE JT210547

Herd Book	SP
Birth date	2021-07-07
Age	2.1 years
Inbreeding	5.66%
Birth Stat.	1

AFL	ILP	EPI
15.6m	-	-

Lambled	1
Lambs	1
Weaned	0

AP 170392

RHENOSTERBOSRUG RAM AP 170392

Parentage Sire Dam

DNA

Genomic

JT 190184

REMKUIL OOI JT 190184

AFL 25.8 | ILP 372 | EPI 95
Lambled 2 | Lambs 3 | Weaned 2

AP 130504

RHENOSTERBOSRUG RAM AP 130504

AP 130516

RHENOSTERBOSRUG OOI AP 130516

AFL 23.6 | ILP 364 | EPI 144
Lambled 8 | Lambs 13 | Weaned 12

NB 170006

NOVA BARLETTA RAM NB170006

JT 150449

REMKUIL OOI JT 150449

AFL 22.6 | ILP 353 | EPI 100
Lambled 3 | Lambs 7 | Weaned 5

RHENOSTERBOSRUG RAM AP 110427

RHENOSTERBOSRUG OOI AP 100214

AFL 26.4 | ILP 297 | EPI -
Lambled 2 | Lambs 4 | Weaned 4

RHENOSTERBOSRUG RAM AP 120215

RHENOSTERBOSRUG OOI AP 110228

AFL 15.5 | ILP 346 | EPI 131
Lambled 6 | Lambs 11 | Weaned 11

EVERSAR RAM CN140127

NOVA BARLETTA EWE NB140096

AFL 25.1 | ILP 330 | EPI 96
Lambled 3 | Lambs 5 | Weaned 4

RHENOSTERBOSRUG RAM AP 120128

REMKUIL OOI JT130506

AFL 24.6 | ILP 467 | EPI 99
Lambled 4 | Lambs 6 | Weaned 5

Growth			Reproduction			
Wn. Dir.	Wean Mat.	Post-Wn.	NLW	TWW	AFL	ILP
103	120	113	104	104	105	96
61%	53%	54%	42%	42%	44%	30%



EBV Analysis 2023-08-21

Logix Merit Index **117**

Growth Index **116**

Reproduction Index **120**

SELLER REMARKS: Dragtig met tweeling van JT 20 0199. Lam Oktober.

LOT 75 (F)



REMKUIL BOERDERY (EDMS) BPK

Caledon, Western Cape
remkuil@ruens.co.za

JT 210755

REMKUIL OOI JT 210755

Herd Book	SP
Birth date	2021-10-06
Age	1.9 years
Inbreeding	5.87%
Birth Stat.	2

AFL	ILP	EPI
-	-	-

CPG 160485

DORWALD RAM CPG 160485

Parentage Sire Dam

DNA

Genomic

JT 200335

REMKUIL EWE JT200335

AFL 16.4 | ILP 372 | EPI 109
Lambled 2 | Lambs 4 | Weaned 4

JS 140113

KINKO RAM JS 140113

CPG 150036

DORWALD OOI CPG 150036

AFL 17.5 | ILP 365 | EPI 104
Lambled 4 | Lambs 8 | Weaned 6

JT 180258

REMKUIL RAM JT180258

JT 150259

REMKUIL OOI JT 150259

AFL 23.5 | ILP 361 | EPI 130
Lambled 5 | Lambs 9 | Weaned 9

COCO RAM YF 050081

KINKO OOI JS 100769

AFL 15.7 | ILP 329 | EPI -
Lambled 4 | Lambs 9 | Weaned 5

JABUWY RAM K 130137

DORWALD OOI CPG 130386

AFL 19.2 | ILP 325 | EPI 92
Lambled 2 | Lambs 2 | Weaned 2

REMKUIL RAM JT 160550

REMKUIL OOI JT 150238

AFL 15.6 | ILP 330 | EPI 119
Lambled 5 | Lambs 9 | Weaned 8

DROERIVIER RAM DZ 120120

REMKUIL OOI JT 120500

AFL 32.9 | ILP 361 | EPI 93
Lambled 2 | Lambs 4 | Weaned 2

Growth			Reproduction			
Wn. Dir.	Wean Mat.	Post-Wn.	NLW	TWW	AFL	ILP
107	111	112	82	82	102	104
62%	55%	60%	44%	44%	42%	33%



EBV Analysis 2023-08-21

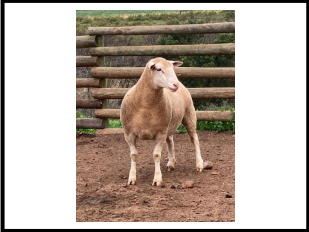
Logix Merit Index **105**

Growth Index **116**

Reproduction Index **98**

SELLER REMARKS: Dragtig met tweeling van JT 21 0503. Lam Oktober.

LOT 76 (F)



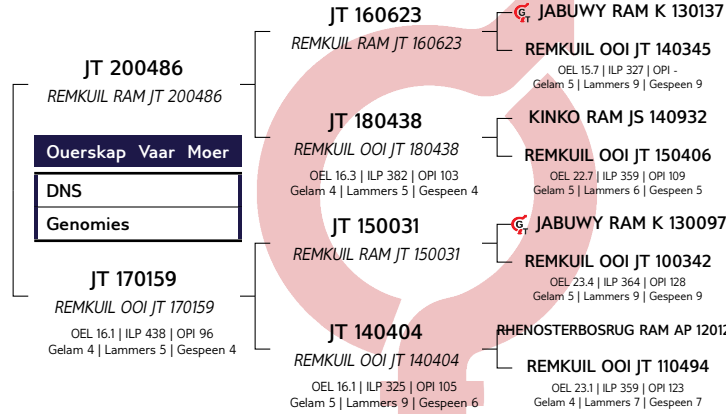
REMKUIL BOERDERY (EDMS) BPK

Caledon, Western Cape
remkuil@ruens.co.za

JT 220006

REMKUIL OOI JT 220006

Kuddeboek	SP	
Geb. dtm	2022-05-15	
Oud.	1.3 jaar	
Inteling	5.9%	
Geb. Status	1	
OEL	ILP	OPI
-	-	-



Groi			Reproduksie			
Spn. Dir.	Spn. Mat.	Na-Spn.	GLS	TWW	OEL	ILP
88	119	95	86	86	96	79
60%	47%	56%	37%	37%	33%	28%



EBV Analise 2023-08-21

Logix Meriete Indeks	91
Groi Indeks	101
Reproduksie Indeks	98

VERKOPER OPMERKINGS: Dragtig van JT 21 0346. Lam Oktober.

LOT 77 (F)



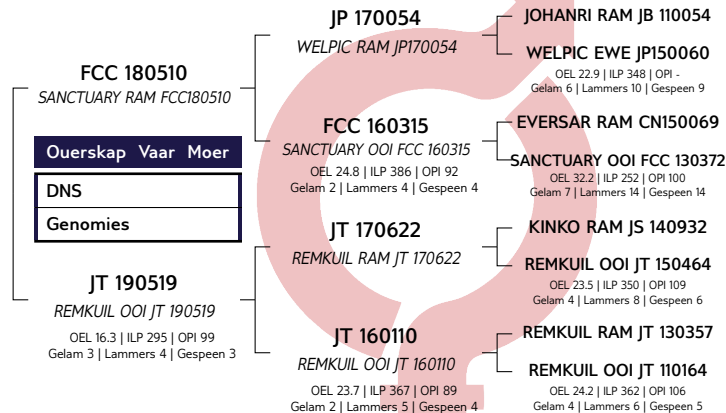
REMKUIL BOERDERY (EDMS) BPK

Caledon, Western Cape
remkuil@ruens.co.za

JT 220092

REMKUIL OOI JT 220092

Kuddeboek	SP	
Geb. dtm	2022-05-18	
Oud.	1.3 jaar	
Inteling	3.96%	
Geb. Status	2	
OEL	ILP	OPI
-	-	-



Groi			Reproduksie			
Spn. Dir.	Spn. Mat.	Na-Spn.	GLS	TWW	OEL	ILP
115	107	114	100	100	101	86
62%	53%	60%	41%	41%	41%	28%



EBV Analise 2023-08-21

Logix Meriete Indeks	118
Groi Indeks	122
Reproduksie Indeks	110

VERKOPER OPMERKINGS: Dragtig met tweeling van MS 19 0093. Lam Oktober.

LOT 78 (F)



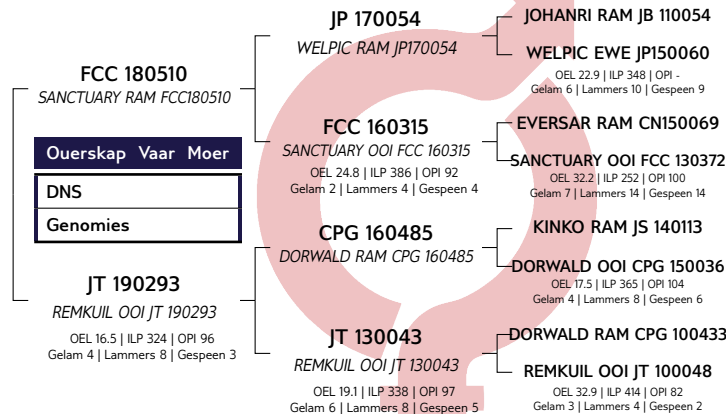
REMKUIL BOERDERY (EDMS) BPK

Caledon, Western Cape
remkuil@ruens.co.za

JT 220374

REMKUIL OOI JT 220374

Kuddeboek	SP	
Geb. dtm	2022-05-24	
Oud.	1.3 jaar	
Inteling	4.27%	
Geb. Status	3	
OEL	ILP	OPI
-	-	-



Groi			Reproduksie			
Spn. Dir.	Spn. Mat.	Na-Spn.	GLS	TWW	OEL	ILP
111	107	113	90	90	101	106
62%	53%	60%	42%	42%	41%	28%



EBV Analise 2023-08-21

Logix Meriete Indeks	112
Groi Indeks	118
Reproduksie Indeks	103

VERKOPER OPMERKINGS: Dragtig met tweeling van JT 21 0503. Lam Oktober.

LOT 79 (F)



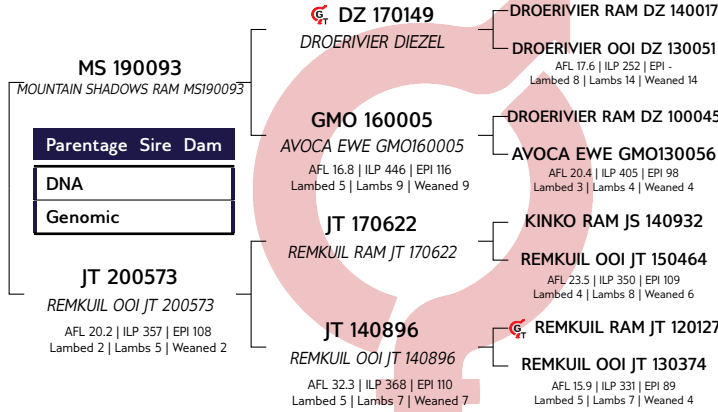
REMKUIL BOERDERY (EDMS) BPK

Caledon, Western Cape
remkuil@ruens.co.za

JT 220491

REMKUIL OOI JT 220491

Herd Book	SP	
Birth date	2022-06-13	
Age	1.2 years	
Inbreeding	3.9%	
Birth Stat.	2	
AFL	ILP	EPI
-	-	-



Growth			Reproduction			
Wn. Dir.	Wean Mat.	Post-Wn.	NLW	TWW	AFL	ILP
108	103	110	99	99	105	91
61%	46%	59%	33%	33%	32%	24%

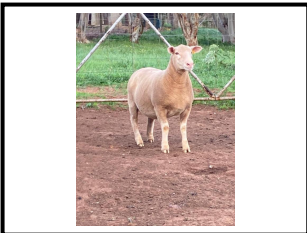


EBV Analysis 2023-08-21

Logix Merit Index	110
Growth Index	112
Reproduction Index	107

SELLER REMARKS: Dragtig met tweeling van JT 20 0199. Lam Oktober.

LOT 80 (F)



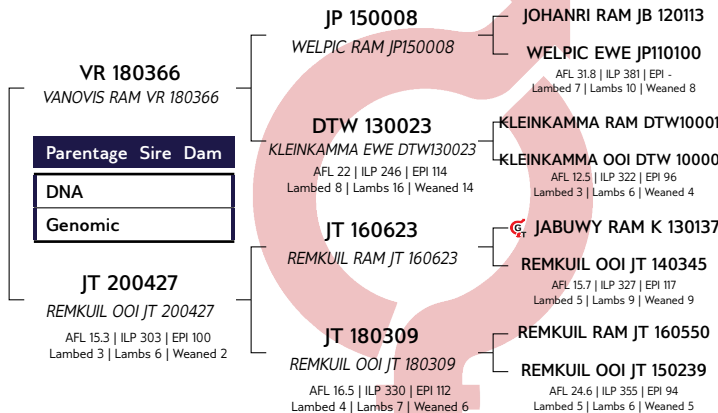
REMKUIL BOERDERY (EDMS) BPK

Caledon, Western Cape
remkuil@ruens.co.za

JT 220662

REMKUIL OOI JT 220662

Herd Book	SP	
Birth date	2022-07-11	
Age	1.1 years	
Inbreeding	4.28%	
Birth Stat.	1	
AFL	ILP	EPI
-	-	-



Growth			Reproduction			
Wn. Dir.	Wean Mat.	Post-Wn.	NLW	TWW	AFL	ILP
112	101	117	104	104	104	103
62%	51%	60%	38%	38%	38%	27%



EBV Analysis 2023-08-21

Logix Merit Index	117
Growth Index	115
Reproduction Index	111

SELLER REMARKS: Dragtig met tweeling van JT 21 0144. Lam Oktober.

LOT 81 (F)



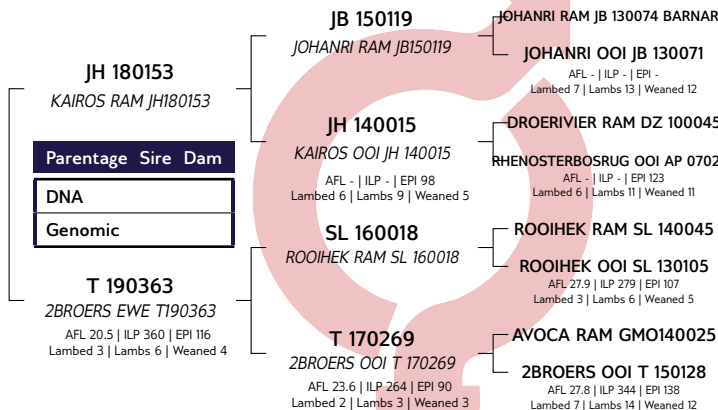
TWEE BROERS DORMER STOET

Barkly East, Eastern Cape
0723132232
tjaart@barkly.co.za

T 220154

2BROERS OOI T 220154

Herd Book	SP	
Birth date	2022-05-01	
Age	1.3 years	
Inbreeding	5.61%	
Birth Stat.	2	
AFL	ILP	EPI
-	-	-



Growth			Reproduction			
Wn. Dir.	Wean Mat.	Post-Wn.	NLW	TWW	AFL	ILP
91	85	92	107	107	93	102
63%	57%	42%	44%	44%	45%	33%



EBV Analysis 2023-08-21

Logix Merit Index	92
Growth Index	87
Reproduction Index	95

SELLER REMARKS:

LOT 82 (F)



TWEE BROERS DORMER STOET

Barkly East, Eastern Cape
0723132232
tjaart@barkly.co.za

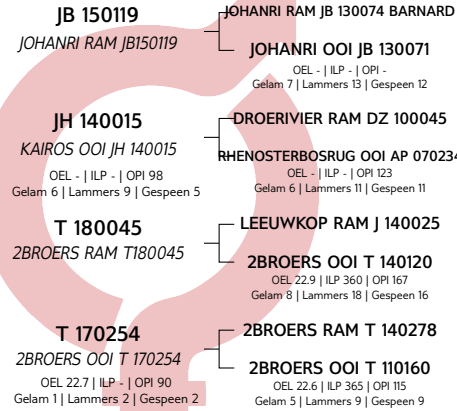
T 220009

2BROERS OOI T 220009

Kuddeboek	SP
Geb. dtm	2022-04-29
Oud.	1.3 jaar
Inteling	6.18%
Geb. Status	1
OEL	ILP
	OPI
-	-

JH 180153
KAIROS RAM JH180153
Ouerskap Vaar Moer
DNS
Genomies

T 190180
2BROERS EWE T190180
OEL 15.7 ILP 321 OPI 111
Gelam 4 Lammers 6 Gespeen 5



Groi			Reproduksie			
Spn. Dir.	Spn. Mat.	Na-Spn.	GLS	TWW	OEL	ILP
92	92	87	113	113	93	105
63%	58%	44%	46%	46%	46%	35%



EBV Analise 2023-08-21

Logix Meriete Indeks	99
Groi Indeks	91
Reproduksie Indeks	106

VERKOPER OPMERKINGS:

LOT 83 (F)



TWEE BROERS DORMER STOET

Barkly East, Eastern Cape
0723132232
tjaart@barkly.co.za

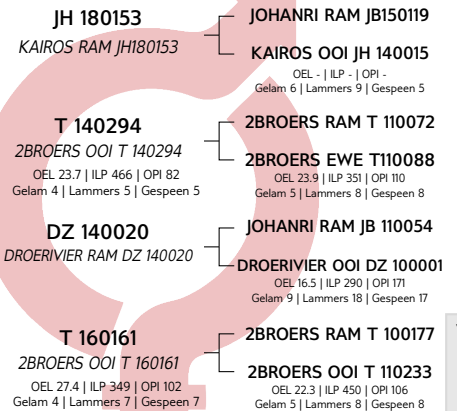
T 220479

2BROERS OOI T 220479

Kuddeboek	SP
Geb. dtm	2022-05-07
Oud.	1.3 jaar
Inteling	6.45%
Geb. Status	4
OEL	ILP
	OPI
-	-

T 200071
2BROERS RAM T 200071 STOOF
Ouerskap Vaar Moer
DNS
Genomies

T 200043
2BROERS OOI T 200043
OEL 23.8 ILP 360 OPI 117
Gelam 2 Lammers 6 Gespeen 4



Groi			Reproduksie			
Spn. Dir.	Spn. Mat.	Na-Spn.	GLS	TWW	OEL	ILP
94	98	99	117	117	81	93
62%	48%	44%	37%	37%	36%	30%



EBV Analise 2023-08-21

Logix Meriete Indeks	102
Groi Indeks	96
Reproduksie Indeks	108

VERKOPER OPMERKINGS:

LOT 84 (F)



TWEE BROERS DORMER STOET

Barkly East, Eastern Cape
0723132232
tjaart@barkly.co.za

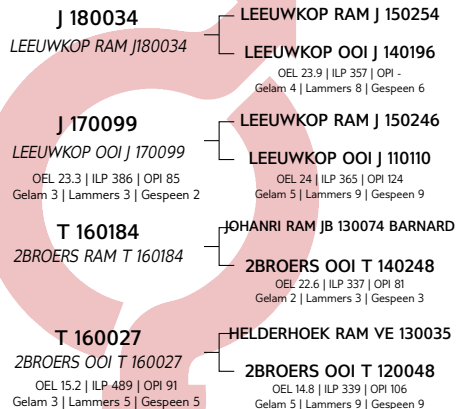
T 220212

2BROERS OOI T 220212

Kuddeboek	SP
Geb. dtm	2022-05-04
Oud.	1.3 jaar
Inteling	5.4%
Geb. Status	1
OEL	ILP
	OPI
-	-

J 200091
LEEUEWKOP RAM J 200091
Ouerskap Vaar Moer
DNS
Genomies

T 180263
2BROERS OOI T 180263
OEL 31.9 ILP 360 OPI 96
Gelam 3 Lammers 4 Gespeen 3



Groi			Reproduksie			
Spn. Dir.	Spn. Mat.	Na-Spn.	GLS	TWW	OEL	ILP
97	81	95	102	102	107	96
59%	43%	24%	30%	30%	28%	22%



EBV Analise 2023-08-21

Logix Meriete Indeks	95
Groi Indeks	91
Reproduksie Indeks	94

VERKOPER OPMERKINGS: Reg vir ram.

LOT 85 (F)



TWEE BROERS DORMER STOET

Barkly East, Eastern Cape
0723132232
tjaart@barkly.co.za

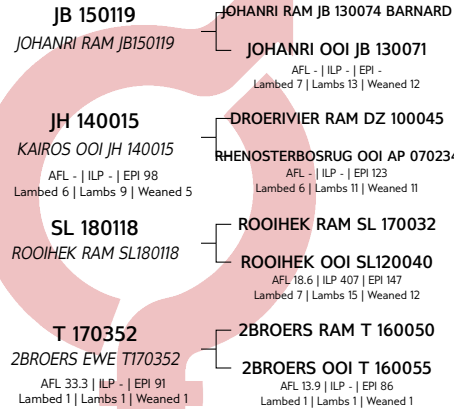
T 220095

2BROERS OOI T 220095

Herd Book	SP	
Birth date	2022-05-01	
Age	1.3 years	
Inbreeding	8.1%	
Birth Stat.	1	
AFL	ILP	EPI
-	-	-

JH 180153	
KAIROS RAM JH180153	
Parentage	Sire Dam
DNA	
Genomic	

T 200020	
2BROERS OOI T 200020	
AFL 23.6 ILP 362 EPI 95	
Lambded 2 Lams 2 Weaned 1	



Growth			Reproduction			
Wn. Dir.	Wean Mat.	Post-Wn.	NLW	TWW	AFL	ILP
85	93	86	101	101	87	103
62%	54%	43%	43%	43%	46%	34%



EBV Analysis 2023-08-21

Logix Merit Index	86
Growth Index	85
Reproduction Index	92

SELLER REMARKS: Reg vir ram.

LOT 86 (F)



TWEE BROERS DORMER STOET

Barkly East, Eastern Cape
0723132232
tjaart@barkly.co.za

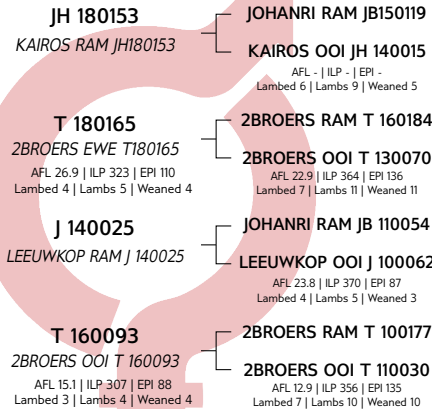
T 220242

2BROERS OOI T 220242

Herd Book	SP	
Birth date	2022-05-04	
Age	1.3 years	
Inbreeding	8.48%	
Birth Stat.	1	
AFL	ILP	EPI
-	-	-

T 210088	
2BROERS RAM T 210088	
Parentage	Sire Dam
DNA	
Genomic	

T 180270	
2BROERS OOI T 180270	
AFL 32 ILP 359 EPI 107	
Lambded 3 Lams 6 Weaned 4	



Growth			Reproduction			
Wn. Dir.	Wean Mat.	Post-Wn.	NLW	TWW	AFL	ILP
85	97	85	94	94	97	107
58%	46%	30%	36%	36%	35%	29%

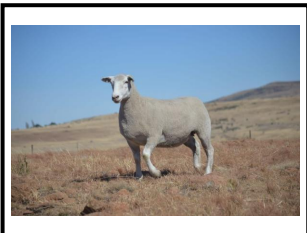


EBV Analysis 2023-08-21

Logix Merit Index	86
Growth Index	87
Reproduction Index	93

SELLER REMARKS: Reg vir ram.

LOT 87 (F)



TWEE BROERS DORMER STOET

Barkly East, Eastern Cape
0723132232
tjaart@barkly.co.za

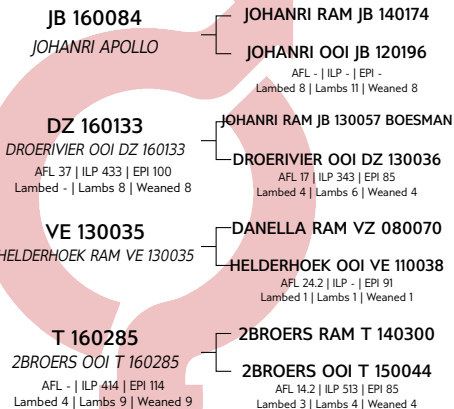
T 220170

2BROERS OOI T 220170

Herd Book	SP	
Birth date	2022-05-04	
Age	1.3 years	
Inbreeding	6.06%	
Birth Stat.	1	
AFL	ILP	EPI
-	-	-

DZ 200372	
DROERIVIER RAM DZ 200372	
Parentage	Sire Dam
DNA	
Genomic	

T 190018	
2BROERS EWE T190018	
AFL 24.1 ILP 357 EPI 105	
Lambded 3 Lams 6 Weaned 4	



Growth			Reproduction			
Wn. Dir.	Wean Mat.	Post-Wn.	NLW	TWW	AFL	ILP
98	97	97	100	100	105	83
59%	47%	33%	38%	38%	36%	31%

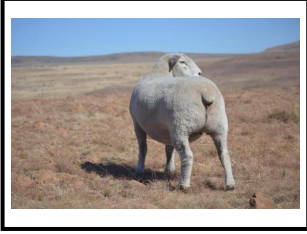


EBV Analysis 2023-08-21

Logix Merit Index	100
Growth Index	100
Reproduction Index	101

SELLER REMARKS: Reg vir ram.

LOT 88 (F)



TWEE BROERS DORMER STOET

Barkly East, Eastern Cape
0723132232
tjaart@barkly.co.za

T 220105

2BROERS OOI T 220105

Kuddeboek	SP
Geb. dtm	2022-05-01
Oud.	1.3 jaar
Inteling	8.58%
Geb. Status	1
OEL	ILP
	OPI
-	-

JH 180153
KAIROS RAM JH180153

Uerskap	Vaar	Moer
DNS		
Genomies		

T 180054
2BROERS EWE T180054
OEL 24 | ILP 352 | OPI 134
Gelam 4 | Lammers 8 | Gespeen 6

JB 150119
JOHANRI RAM JB150119
JOHANRI RAM JB 130074 BARNARD
JOHANRI OOI JB 130071
OEL - | ILP - | OPI -
Gelam 7 | Lammers 13 | Gespeen 12

JH 140015
KAIROS OOI JH 140015
RHENOSTERBOSRUG OOI AP 070234
OEL - | ILP - | OPI 98
Gelam 6 | Lammers 9 | Gespeen 5

T 160050
2BROERS RAM T 160050
2BROERS OOI T 120148
OEL 23.7 | ILP 356 | OPI 142
Gelam 8 | Lammers 15 | Gespeen 15

T 160112
2BROERS OOI T 160112
OEL 24 | ILP 732 | OPI 91
Gelam 2 | Lammers 4 | Gespeen 4

JOHANRI RAM JB 130074 BARNARD
2BROERS OOI T 110057
OEL 23.3 | ILP 363 | OPI 125
Gelam 6 | Lammers 10 | Gespeen 10

Groeï			Reproduksie			
Spn. Dir.	Spn. Mat.	Na-Spn.	GLS	TWW	OEL	ILP
93	95	90	107	107	97	102
64%	59%	46%	48%	48%	49%	37%



EBV Analise 2023-08-21

Logix Meriete Indeks	98
Groeï Indeks	93
Reproduksie Indeks	104

VERKOPER OPMERKINGS: Reg vir ram.

LOT 89 (F)



TWEE BROERS DORMER STOET

Barkly East, Eastern Cape
0723132232
tjaart@barkly.co.za

T 220222

2BROERS OOI T 220222

Kuddeboek	SP
Geb. dtm	2022-05-04
Oud.	1.3 jaar
Inteling	4.08%
Geb. Status	2
OEL	ILP
	OPI
-	-

JH 180153
KAIROS RAM JH180153

Uerskap	Vaar	Moer
DNS		
Genomies		

T 150047
2BROERS OOI T 150047
OEL 23.9 | ILP 436 | OPI 113
Gelam 6 | Lammers 9 | Gespeen 7

JB 150119
JOHANRI RAM JB150119
JOHANRI RAM JB 130074 BARNARD
JOHANRI OOI JB 130071
OEL - | ILP - | OPI -
Gelam 7 | Lammers 13 | Gespeen 12

JH 140015
KAIROS OOI JH 140015
RHENOSTERBOSRUG OOI AP 070234
OEL - | ILP - | OPI 98
Gelam 6 | Lammers 9 | Gespeen 5

VE 110013
HELDERHOEK RAM VE 110013
DANELLA RAM VZ 060065
HELDERHOEK OOI VE 060019
OEL 25.6 | ILP 370 | OPI 131
Gelam 5 | Lammers 7 | Gespeen 6

T 110032
2BROERS OOI T 110032
OEL 23.7 | ILP 343 | OPI 84
Gelam 3 | Lammers 3 | Gespeen 3

BB AGRI RAM QJ 080084
LEEUEWKOP OOI J 060124
OEL 24.3 | ILP 358 | OPI 115
Gelam 6 | Lammers 12 | Gespeen 7

Groeï			Reproduksie			
Spn. Dir.	Spn. Mat.	Na-Spn.	GLS	TWW	OEL	ILP
87	90	87	90	90	91	106
64%	58%	46%	47%	47%	46%	35%



EBV Analise 2023-08-21

Logix Meriete Indeks	81
Groeï Indeks	85
Reproduksie Indeks	83

VERKOPER OPMERKINGS: Reg vir ram.

LOT 90 (F)



TWEE BROERS DORMER STOET

Barkly East, Eastern Cape
0723132232
tjaart@barkly.co.za

T 220254

2BROERS OOI T 220254

Kuddeboek	SP
Geb. dtm	2022-05-04
Oud.	1.3 jaar
Inteling	7.1%
Geb. Status	1
OEL	ILP
	OPI
-	-

DZ 200372
DROERIVIER RAM DZ 200372

Uerskap	Vaar	Moer
DNS		
Genomies		

T 200090
2BROERS OOI T 200090
OEL 23.7 | ILP 361 | OPI 96
Gelam 2 | Lammers 2 | Gespeen 1

JB 160084
JOHANRI APOLLO
JOHANRI RAM JB 140174
JOHANRI OOI JB 120196
OEL - | ILP - | OPI -
Gelam 8 | Lammers 11 | Gespeen 8

DZ 160133
DROERIVIER OOI DZ 160133
DROERIVIER OOI DZ 130057 BOESMAN
OEL 37 | ILP 433 | OPI 100
Gelam - | Lammers 8 | Gespeen 8

DZ 140020
DROERIVIER RAM DZ 140020
DROERIVIER OOI DZ 100001
OEL 16.5 | ILP 290 | OPI 171
Gelam 9 | Lammers 18 | Gespeen 17

T 130151
2BROERS OOI T 130151
OEL 24.2 | ILP 356 | OPI 148
Gelam 7 | Lammers 13 | Gespeen 13

2BROERS RAM T 100007
2BROERS OOI T 100141
OEL 13 | ILP 350 | OPI 91
Gelam 4 | Lammers 5 | Gespeen 5

Groeï			Reproduksie			
Spn. Dir.	Spn. Mat.	Na-Spn.	GLS	TWW	OEL	ILP
102	101	102	90	90	84	90
59%	46%	37%	40%	40%	38%	34%



EBV Analise 2023-08-21

Logix Meriete Indeks	95
Groeï Indeks	105
Reproduksie Indeks	90

VERKOPER OPMERKINGS: Reg vir ram.

LOT 91 (F)



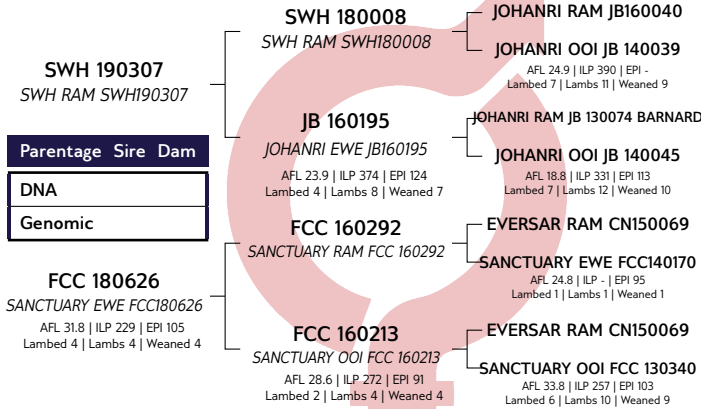
FCC 220045

SANCTUARY EWE FCC220045

Herd Book	SP	
Birth date	2022-03-05	
Age	1.5 years	
Inbreeding	5.44%	
Birth Stat.	1	
AFL	ILP	EPI
-	-	-

F.C. CLOETE

Cradock, Eastern Cape
wjcloete@live.co.za



Growth			Reproduction			
Wn. Dir.	Wean Mat.	Post-Wn.	NLW	TWW	AFL	ILP
103	116	106	97	97	95	94
59%	44%	48%	35%	35%	31%	26%



EBV Analysis 2023-08-21

Logix Merit Index	109
Growth Index	114
Reproduction Index	109

SELLER REMARKS: Dragtig.

LOT 92 (F)



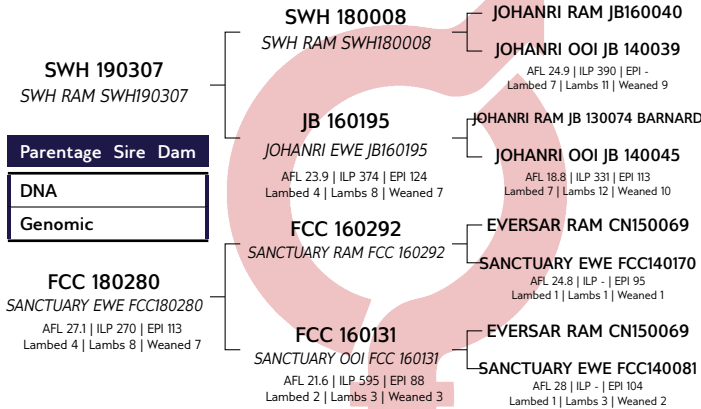
FCC 220047

SANCTUARY EWE FCC220047

Herd Book	SP	
Birth date	2022-03-05	
Age	1.5 years	
Inbreeding	5.41%	
Birth Stat.	1	
AFL	ILP	EPI
-	-	-

F.C. CLOETE

Cradock, Eastern Cape
wjcloete@live.co.za



Growth			Reproduction			
Wn. Dir.	Wean Mat.	Post-Wn.	NLW	TWW	AFL	ILP
103	113	107	101	101	96	91
59%	46%	55%	35%	35%	32%	26%



EBV Analysis 2023-08-21

Logix Merit Index	110
Growth Index	113
Reproduction Index	110

SELLER REMARKS: Dragtig.

LOT 93 (F)



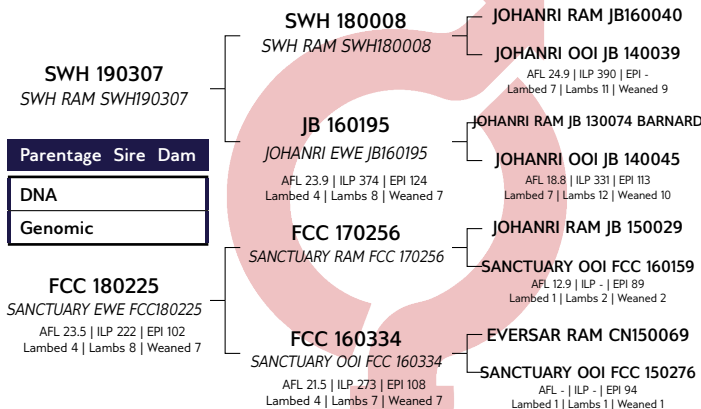
FCC 220011

SANCTUARY EWE FCC220011

Herd Book	SP	
Birth date	2022-02-28	
Age	1.5 years	
Inbreeding	7.22%	
Birth Stat.	3	
AFL	ILP	EPI
-	-	-

F.C. CLOETE

Cradock, Eastern Cape
wjcloete@live.co.za



Growth			Reproduction			
Wn. Dir.	Wean Mat.	Post-Wn.	NLW	TWW	AFL	ILP
106	103	112	96	96	97	113
59%	45%	47%	33%	33%	29%	24%



EBV Analysis 2023-08-21

Logix Merit Index	108
Growth Index	111
Reproduction Index	103

SELLER REMARKS: Dragtig.

LOT 94 (F)



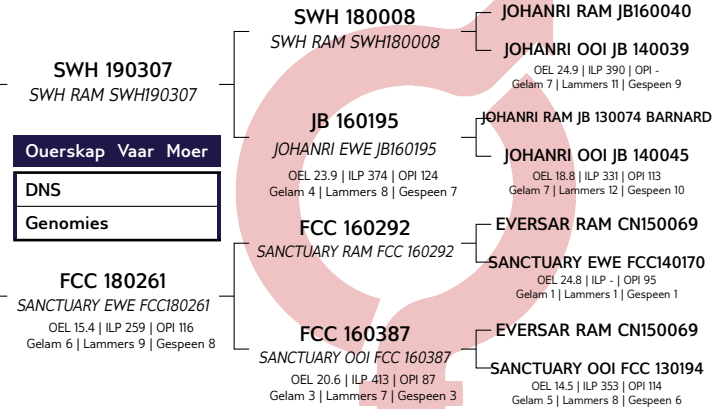
F.C. CLOETE
Cradock, Eastern Cape
wjcloete@live.co.za



FCC 220024

SANCTUARY EWE FCC220024

Kuddeboek	SP	
Geb. dtm	2022-03-02	
Oud.	1.5 jaar	
Inteling	5.36%	
Geb. Status	3	
OEL	ILP	OPI
-	-	-



Groei			Reproduksie			
Spn. Dir.	Spn. Mat.	Na-Spn.	GLS	TWW	OEL	ILP
100	110	104	105	105	99	95
60%	46%	55%	36%	36%	32%	26%

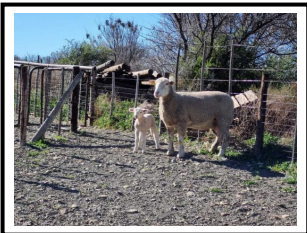


EBV Analise 2023-08-21

Logix Meriete Indeks	109
Groei Indeks	108
Reproduksie Indeks	113

VERKOPER OPMERKINGS: Dragtig.

LOT 95 (F)



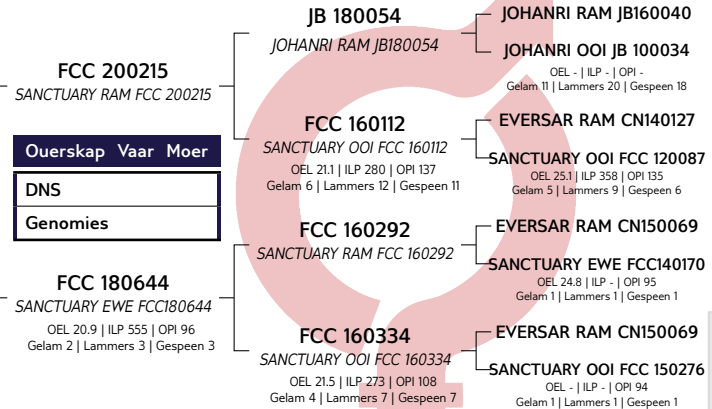
F.C. CLOETE
Cradock, Eastern Cape
wjcloete@live.co.za



FCC 220124

SANCTUARY EWE FCC220124

Kuddeboek	SP	
Geb. dtm	2022-03-26	
Oud.	1.4 jaar	
Inteling	6.22%	
Geb. Status	2	
OEL	ILP	OPI
-	-	-



Groei			Reproduksie			
Spn. Dir.	Spn. Mat.	Na-Spn.	GLS	TWW	OEL	ILP
88	118	92	100	100	94	91
56%	45%	44%	35%	35%	32%	26%



EBV Analise 2023-08-21

Logix Meriete Indeks	99
Groei Indeks	100
Reproduksie Indeks	109

VERKOPER OPMERKINGS: Dragtig.

LOT 96 (F)



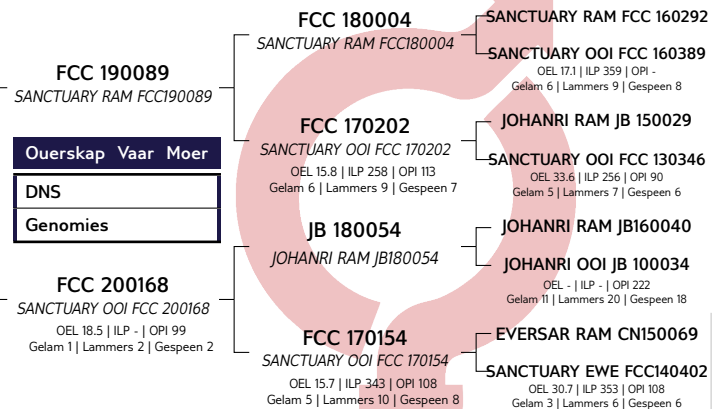
F.C. CLOETE
Cradock, Eastern Cape
wjcloete@live.co.za



FCC 220072

SANCTUARY EWE FCC220072

Kuddeboek	SP	
Geb. dtm	2022-03-10	
Oud.	1.5 jaar	
Inteling	8.7%	
Geb. Status	2	
OEL	ILP	OPI
-	-	-



Groei			Reproduksie			
Spn. Dir.	Spn. Mat.	Na-Spn.	GLS	TWW	OEL	ILP
113	113	108	91	91	97	98
60%	44%	46%	32%	32%	30%	21%

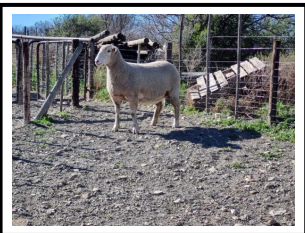


EBV Analise 2023-08-21

Logix Meriete Indeks	114
Groei Indeks	122
Reproduksie Indeks	106

VERKOPER OPMERKINGS: Dragtig.

LOT 97 (F)



FCC 220210

SANCTUARY EWE FCC220210

Herd Book	SP	
Birth date	2022-06-04	
Age	1.2 years	
Inbreeding	10.41%	
Birth Stat.	2	
AFL	ILP	EPI
-	-	-

F.C. CLOETE

Cradock, Eastern Cape
wjcloete@live.co.za

FCC 200238
SANCTUARY RAM FCC 200238

Parentage Sire Dam

DNA

Genomic

FCC 180227
SANCTUARY OOI FCC180227
AFL 15.4 | ILP 252 | EPI 114
Lambded 5 | Lambs 9 | Weaned 7

JB 180054
JOHANRI RAM JB180054
JOHANRI RAM JB100034
AFL - | ILP - | EPI -
Lambded 11 | Lambs 20 | Weaned 18

FCC 180342
SANCTUARY EWE FCC180342
AFL 24.5 | ILP - | EPI 80
Lambded 1 | Lambs 3 | Weaned 3

FCC 170256
SANCTUARY RAM FCC 170256
JOHANRI RAM JB 150029
SANCTUARY OOI FCC 160159
AFL 12.9 | ILP - | EPI 89
Lambded 1 | Lambs 2 | Weaned 2

FCC 160326
SANCTUARY OOI FCC 160326
AFL 21.5 | ILP 259 | EPI 123
Lambded 6 | Lambs 9 | Weaned 9

EVERSAR RAM CN150069
SANCTUARY OOI FCC 150284
AFL - | ILP - | EPI 99
Lambded 1 | Lambs 2 | Weaned 2

Growth			Reproduction			
Wn. Dir.	Wean Mat.	Post-Wn.	NLW	TWW	AFL	ILP
94	114	98	92	92	95	113
55%	45%	51%	34%	34%	30%	23%

EBV Analysis 2023-08-21

Logix Merit Index	100
Growth Index	104
Reproduction Index	104

SELLER REMARKS: Dragtig.

LOT 98 (F)



FCC 220197

SANCTUARY EWE FCC220197

Herd Book	SP	
Birth date	2022-05-28	
Age	1.3 years	
Inbreeding	6.11%	
Birth Stat.	2	
AFL	ILP	EPI
-	-	-

F.C. CLOETE

Cradock, Eastern Cape
wjcloete@live.co.za

FCC 200215
SANCTUARY RAM FCC 200215

Parentage Sire Dam

DNA

Genomic

FCC 190173
SANCTUARY EWE FCC190173
AFL 23.8 | ILP 264 | EPI 100
Lambded 2 | Lambs 4 | Weaned 4

JB 180054
JOHANRI RAM JB180054
JOHANRI OOI JB 100034
AFL - | ILP - | EPI -
Lambded 11 | Lambs 20 | Weaned 18

FCC 160112
SANCTUARY OOI FCC 160112
AFL 21.1 | ILP 280 | EPI 137
Lambded 6 | Lambs 12 | Weaned 11

FCC 160292
SANCTUARY RAM FCC 160292
EVERSAR RAM CN150069
SANCTUARY EWE FCC140170
AFL 24.8 | ILP - | EPI 95
Lambded 1 | Lambs 1 | Weaned 1

FCC 160229
SANCTUARY OOI FCC 160229
AFL 21.6 | ILP 361 | EPI 113
Lambded 5 | Lambs 8 | Weaned 8

EVERSAR RAM CN150069
SANCTUARY EWE FCC140203
AFL 22.2 | ILP - | EPI 98
Lambded 1 | Lambs 2 | Weaned 2

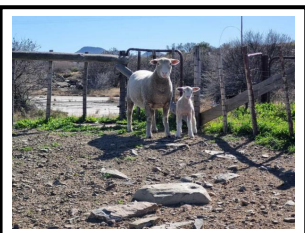
Growth			Reproduction			
Wn. Dir.	Wean Mat.	Post-Wn.	NLW	TWW	AFL	ILP
91	109	92	105	105	96	91
56%	45%	51%	35%	35%	32%	26%

EBV Analysis 2023-08-21

Logix Merit Index	100
Growth Index	99
Reproduction Index	108

SELLER REMARKS: Dragtig.

LOT 99 (F)



FCC 220043

SANCTUARY EWE FCC220043

Herd Book	SP	
Birth date	2022-03-04	
Age	1.5 years	
Inbreeding	10.74%	
Birth Stat.	1	
AFL	ILP	EPI
-	-	-

F.C. CLOETE

Cradock, Eastern Cape
wjcloete@live.co.za

FCC 190089
SANCTUARY RAM FCC190089

Parentage Sire Dam

DNA

Genomic

FCC 200330
SANCTUARY EWE FCC200330
AFL 15.8 | ILP 310 | EPI 119
Lambded 2 | Lambs 2 | Weaned 2

FCC 180004
SANCTUARY RAM FCC180004
SANCTUARY OOI FCC 160389
AFL 17.1 | ILP 359 | EPI -
Lambded 6 | Lambs 9 | Weaned 8

FCC 170202
SANCTUARY OOI FCC 170202
AFL 15.8 | ILP 258 | EPI 113
Lambded 6 | Lambs 9 | Weaned 7

FCC 180184
SANCTUARY RAM FCC180184
JOHANRI RAM JB 150029
SANCTUARY OOI FCC 130346
AFL 33.6 | ILP 256 | EPI 90
Lambded 5 | Lambs 7 | Weaned 6

FCC 170021
SANCTUARY OOI FCC 170021
AFL 16.2 | ILP 266 | EPI 121
Lambded 7 | Lambs 12 | Weaned 11

EVERSAR RAM CN150069
SANCTUARY OOI FCC 110022
AFL - | ILP 441 | EPI 109
Lambded 4 | Lambs 4 | Weaned 3

Growth			Reproduction			
Wn. Dir.	Wean Mat.	Post-Wn.	NLW	TWW	AFL	ILP
114	113	111	88	88	109	110
58%	43%	51%	30%	30%	26%	21%

EBV Analysis 2023-08-21

Logix Merit Index	117
Growth Index	123
Reproduction Index	108

SELLER REMARKS: Dragtig.

LOT 100 (F)



NOVA BARLETTA BOERDERY

Clocolan, Free State
0725976047
novabarletta@gmail.com

NB 200105

NOVA BARLETTA EWE NB200105



Kuddeboek	SP	
Geb. dtm	2020-03-26	
Oud.	3.4 jaar	
Inteling	5.66%	
Geb. Status	3	
OEL	ILP	OPI
18.4m	309d	102
Gelam	3	
Lammers	4	
Gespeen	2	

NB 180009
NOVA BARLETTA SPUTNIK

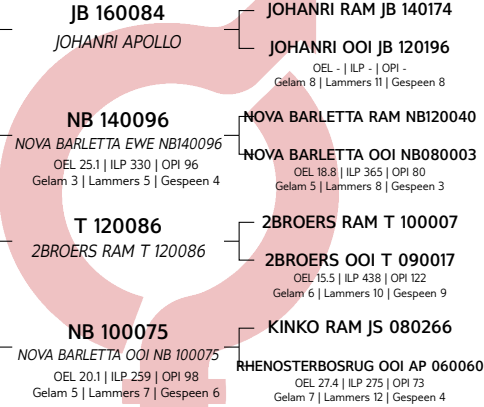
Ouerskap Vaar Moer

DNS

Genomies

NB 140049
NOVA BARLETTA EWE NB140049

OEL 15.3 | ILP 306 | OPI 180
Gelam 9 | Lammers 14 | Gespeen 12



Groeï			Reproduksie			
Spn. Dir.	Spn. Mat.	Na-Spn.	GLS	TWW	OEL	ILP
116	112	114	80	80	106	117
67%	65%	53%	53%	53%	51%	41%



EBV Analise 2023-08-21

Logix Meriete Indeks	114
Groeï Indeks	125
Reproduksie Indeks	101

VERKOPER OPMERKINGS: Met lammers. Oilam 23 0479 en oilam 23 0480. Vaar is NB 21 0280.

LOT 101 (F)



NOVA BARLETTA BOERDERY

Clocolan, Free State
0725976047
novabarletta@gmail.com

NB 210213

NOVA BARLETTA EWE NB210213



Kuddeboek	SP	
Geb. dtm	2021-03-10	
Oud.	2.5 jaar	
Inteling	4.43%	
Geb. Status	3	
OEL	ILP	OPI
17.3m	300d	102
Gelam	2	
Lammers	5	
Gespeen	2	

JB 160084
JOHANRI APOLLO

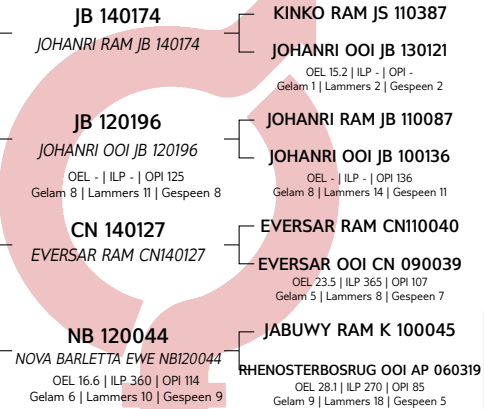
Ouerskap Vaar Moer

DNS

Genomies

NB 160133
NOVA BARLETTA EWE NB160133

OEL 19.3 | ILP 325 | OPI 150
Gelam 6 | Lammers 14 | Gespeen 14



Groeï			Reproduksie			
Spn. Dir.	Spn. Mat.	Na-Spn.	GLS	TWW	OEL	ILP
100	97	98	106	106	98	108
67%	67%	56%	57%	57%	56%	49%



EBV Analise 2023-08-21

Logix Meriete Indeks	105
Groeï Indeks	101
Reproduksie Indeks	106

VERKOPER OPMERKINGS: Met lammers. Oilam 23 0473 , oilam 23 0474 en oilam 23 0475. Vaar is NB 21 0280.

LOT 102 (F)



NOVA BARLETTA BOERDERY

Clocolan, Free State
0725976047
novabarletta@gmail.com

NB 200369

NOVA BARLETTA EWE NB200369



Kuddeboek	SP	
Geb. dtm	2020-04-28	
Oud.	3.4 jaar	
Inteling	7.94%	
Geb. Status	1	
OEL	ILP	OPI
17.3m	309d	95
Gelam	3	
Lammers	4	
Gespeen	1	

NB 180009
NOVA BARLETTA SPUTNIK

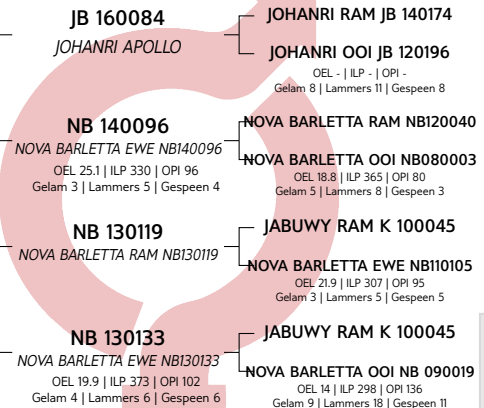
Ouerskap Vaar Moer

DNS

Genomies

NB 160120
NOVA BARLETTA EWE NB160120

OEL 18.7 | ILP 347 | OPI 129
Gelam 6 | Lammers 9 | Gespeen 9



Groeï			Reproduksie			
Spn. Dir.	Spn. Mat.	Na-Spn.	GLS	TWW	OEL	ILP
112	114	108	85	85	98	119
65%	63%	52%	51%	51%	51%	41%



EBV Analise 2023-08-21

Logix Meriete Indeks	112
Groeï Indeks	122
Reproduksie Indeks	103

VERKOPER OPMERKINGS: Met lammers. Ramlam 23 0483 en ramlam 23 0484. Vaar is NB 21 0280.

LOT 103 (F)



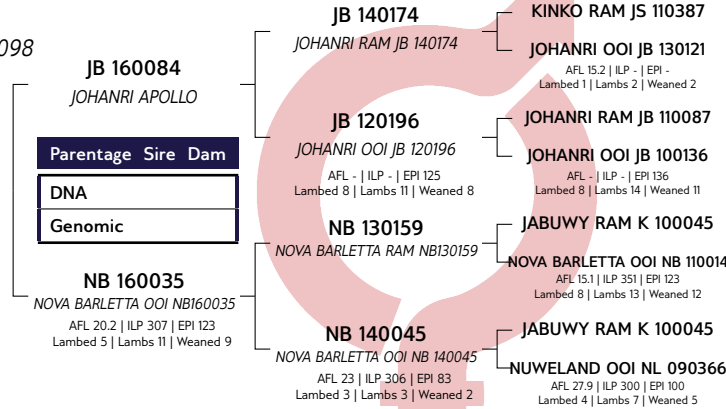
NOVA BARLETTA BOERDERY
Clocolan, Free State
0725976047
novabarletta@gmail.com

NB 210098

NOVA BARLETTA EWE NB210098



Herd Book	SP	
Birth date	2021-03-09	
Age	2.5 years	
Inbreeding	4.29%	
Birth Stat.	2	
AFL	ILP	EPI
17.3m	302d	102
Lambled	2	
Lambs	5	
Weaned	2	



Growth			Reproduction			
Wn. Dir.	Wean Mat.	Post-Wn.	NLW	TWW	AFL	ILP
101	103	97	101	101	111	100
67%	67%	57%	56%	56%	56%	49%



EBV Analysis 2023-08-21

Logix Merit Index	108
Growth Index	105
Reproduction Index	110

SELLER REMARKS: Met lammers. Ramlam 23 0491, ramlam 23 0492 en oilam 23 0493. Vaar is NB 21 0280.

LOT 104 (F)



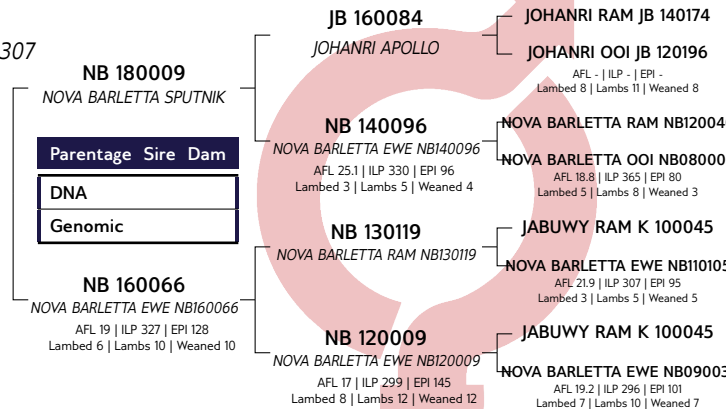
NOVA BARLETTA BOERDERY
Clocolan, Free State
0725976047
novabarletta@gmail.com

NB 200307

NOVA BARLETTA EWE NB200307



Herd Book	SP	
Birth date	2020-04-27	
Age	3.4 years	
Inbreeding	8.04%	
Birth Stat.	3	
AFL	ILP	EPI
17.3m	309d	97
Lambled	3	
Lambs	5	
Weaned	2	



Growth			Reproduction			
Wn. Dir.	Wean Mat.	Post-Wn.	NLW	TWW	AFL	ILP
102	107	101	98	98	96	128
66%	65%	52%	51%	51%	52%	41%



EBV Analysis 2023-08-21

Logix Merit Index	109
Growth Index	108
Reproduction Index	108

SELLER REMARKS: Met lammers. Oilam 23 0471 en oilam 23 0472. Vaar is NB 21 0280.

LOT 105 (F)



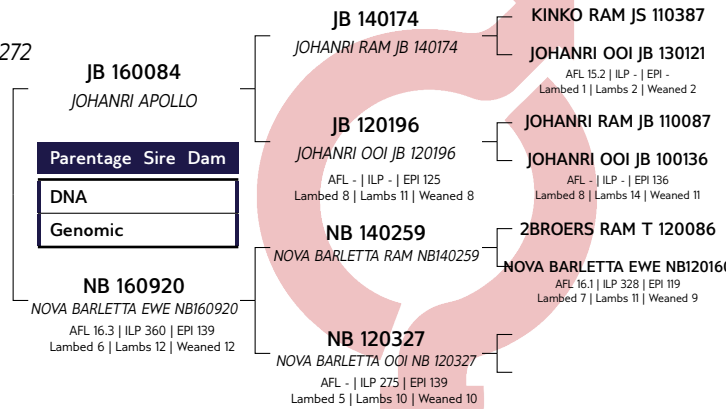
NOVA BARLETTA BOERDERY
Clocolan, Free State
0725976047
novabarletta@gmail.com

NB 210272

NOVA BARLETTA EWE NB210272



Herd Book	SP	
Birth date	2021-03-11	
Age	2.5 years	
Inbreeding	4.96%	
Birth Stat.	3	
AFL	ILP	EPI
17.2m	303d	103
Lambled	2	
Lambs	5	
Weaned	2	



Growth			Reproduction			
Wn. Dir.	Wean Mat.	Post-Wn.	NLW	TWW	AFL	ILP
98	109	95	97	97	101	86
66%	67%	52%	55%	55%	53%	47%



EBV Analysis 2023-08-21

Logix Merit Index	103
Growth Index	106
Reproduction Index	105

SELLER REMARKS: Met lammers. Ramlam 23 0488, ramlam 23 0489 en ramlam 23 0490. Vaar is NB 21 0280.

LOT 106 (F)



NOVA BARLETTA BOERDERY

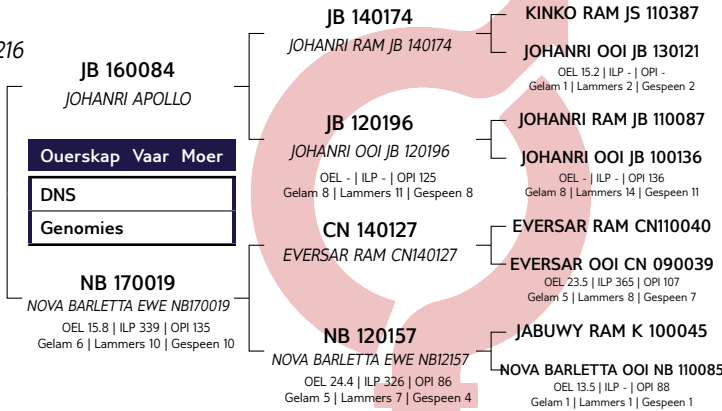
Clocolan, Free State
0725976047
novabarletta@gmail.com

NB 210216

NOVA BARLETTA EWE NB210216



Kuddeboek	SP	
Geb. dtm	2021-03-10	
Oud.	2.5 jaar	
Inteling	4.77%	
Geb. Status	3	
OEL	ILP	OPI
17.3m	301d	104
Gelam	2	
Lammers	4	
Gespeen	2	



Groi			Reproduksie			
Spn. Dir.	Spn. Mat.	Na-Spn.	GLS	TWW	OEL	ILP
100	103	99	90	90	101	105
66%	67%	54%	57%	57%	55%	48%



EBV Analise 2023-08-21

Logix Meriete Indeks	99
Groi Indeks	104
Reproduksie Indeks	97

VERKOPER OPMERKINGS: Met lammers. Ooilam 23 0481 en ramlam 23 0482. Vaar is NB 21 0280.

LOT 107 (F)



ROOIHEK DORMERS

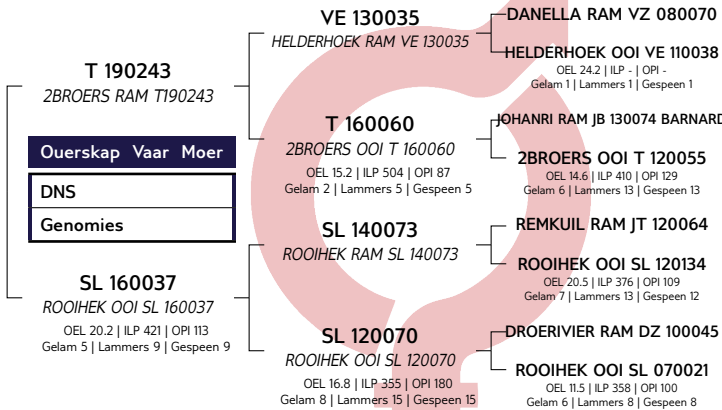
Barkley East, Eastern Cape
0723132232
tjaart@barkly.co.za

SL 220012

ROOIHEK OOI SL 220012



Kuddeboek	SP	
Geb. dtm	2022-09-05	
Oud.	1 jaar	
Inteling	5.32%	
Geb. Status	3	
OEL	ILP	OPI
-	-	-



Groi			Reproduksie			
Spn. Dir.	Spn. Mat.	Na-Spn.	GLS	TWW	OEL	ILP
100	98	100	98	98	123	100
64%	56%	43%	42%	42%	42%	30%



EBV Analise 2023-08-21

Logix Meriete Indeks	106
Groi Indeks	102
Reproduksie Indeks	107

VERKOPER OPMERKINGS: Multivax P Plus. Oop en reg vir ram.

LOT 108 (F)



ROOIHEK DORMERS

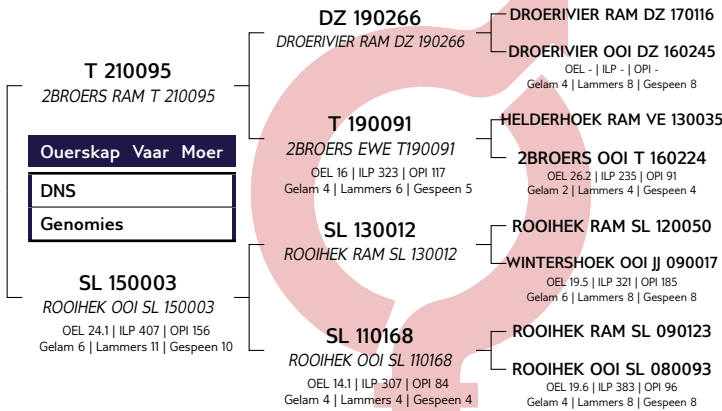
Barkley East, Eastern Cape
0723132232
tjaart@barkly.co.za

SL 220063

ROOIHEK OOI SL 220063



Kuddeboek	SP	
Geb. dtm	2022-09-11	
Oud.	1 jaar	
Inteling	5.24%	
Geb. Status	2	
OEL	ILP	OPI
-	-	-



Groi			Reproduksie			
Spn. Dir.	Spn. Mat.	Na-Spn.	GLS	TWW	OEL	ILP
99	92	96	93	93	107	104
60%	46%	22%	33%	33%	28%	22%



EBV Analise 2023-08-21

Logix Meriete Indeks	97
Groi Indeks	98
Reproduksie Indeks	95

VERKOPER OPMERKINGS: Multivax P Plus. Oop en reg vir ram.

LOT 109 (F)

ROOIHEK DORMERS
Barkley East, Eastern Cape
0723132232
tjaart@barkly.co.za

SL 220034

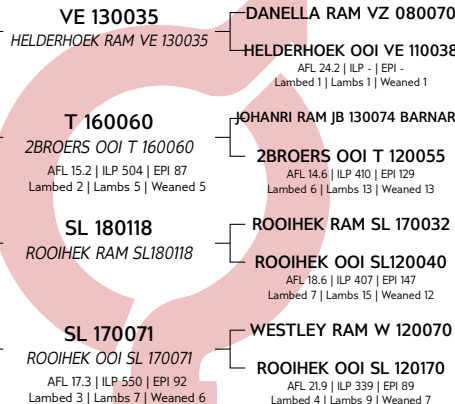
ROOIHEK OOI SL 220034

Herd Book	SP	
Birth date	2022-09-08	
Age	1 years	
Inbreeding	5.01%	
Birth Stat.	1	
AFL	ILP	EPI
-	-	-

T 190243
2BROERS RAM T190243

Parentage Sire Dam
DNA
Genomic

SL 200042
ROOIHEK OOI SL 200042
AFL 27.8 | ILP - | EPI 95
Lambd 1 | Lams 1 | Weaned 1



Growth			Reproduction			
Wn. Dir.	Wean Mat.	Post-Wn.	NLW	TWW	AFL	ILP
95	108	95	106	106	110	91
62%	52%	42%	38%	38%	42%	28%



EBV Analysis 2023-08-21

Logix Merit Index	106
Growth Index	102
Reproduction Index	114

SELLER REMARKS: Multivax P Plus. Oop en reg vir ram.

LOT 110 (F)

ROOIHEK DORMERS
Barkley East, Eastern Cape
0723132232
tjaart@barkly.co.za

SL 220022

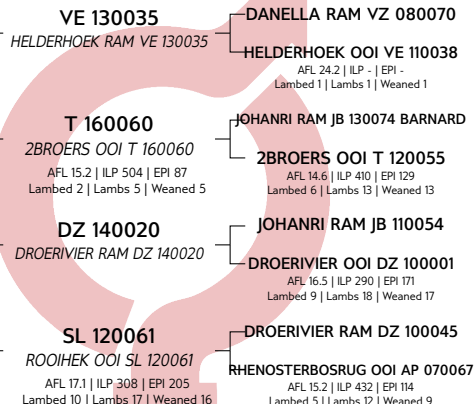
ROOIHEK EWE SL 220022

Herd Book	SP	
Birth date	2022-09-06	
Age	1 years	
Inbreeding	6.62%	
Birth Stat.	2	
AFL	ILP	EPI
-	-	-

T 190243
2BROERS RAM T190243

Parentage Sire Dam
DNA
Genomic

SL 180072
ROOIHEK EWE SL180072
AFL 17.4 | ILP 374 | EPI 120
Lambd 4 | Lams 5 | Weaned 5



Growth			Reproduction			
Wn. Dir.	Wean Mat.	Post-Wn.	NLW	TWW	AFL	ILP
112	102	109	99	99	112	81
64%	56%	48%	44%	44%	46%	34%



EBV Analysis 2023-08-21

Logix Merit Index	114
Growth Index	116
Reproduction Index	108

SELLER REMARKS: Multivax P Plus. Oop en reg vir ram.

LOT 111 (F)

ROOIHEK DORMERS
Barkley East, Eastern Cape
0723132232
tjaart@barkly.co.za

SL 220002

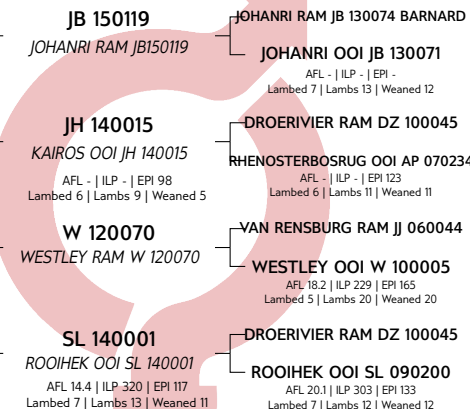
ROOIHEK OOI SL 220002

Herd Book	SP	
Birth date	2022-09-05	
Age	1 years	
Inbreeding	7.65%	
Birth Stat.	2	
AFL	ILP	EPI
-	-	-

JH 180153
KAIROS RAM JH180153

Parentage Sire Dam
DNA
Genomic

SL 170016
ROOIHEK OOI SL 170016
AFL 18.2 | ILP 365 | EPI 107
Lambd 5 | Lams 8 | Weaned 8



Growth			Reproduction			
Wn. Dir.	Wean Mat.	Post-Wn.	NLW	TWW	AFL	ILP
94	99	92	110	110	94	100
65%	59%	45%	48%	48%	47%	35%



EBV Analysis 2023-08-21

Logix Merit Index	101
Growth Index	97
Reproduction Index	108

SELLER REMARKS: Multivax P Plus. Oop en reg vir ram.

LOT 112 (F)



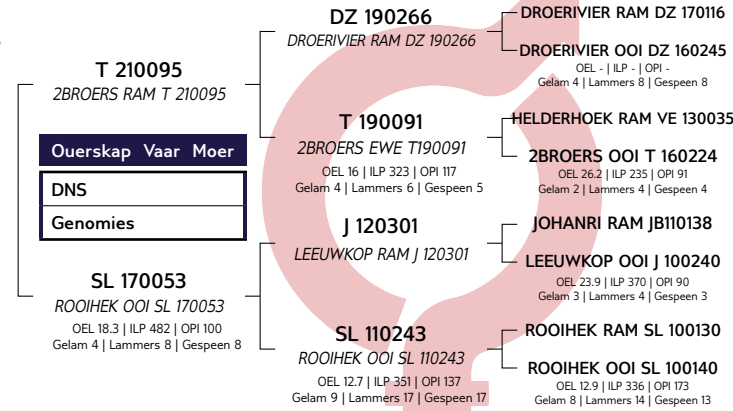
SL 220052

ROOIHEK OOI SL 220052

Kuddeboek	SP	
Geb. dtm	2022-09-11	
Oud.	1 jaar	
Inteling	5.78%	
Geb. Status	2	
OEL	ILP	OPI
-	-	-

ROOIHEK DORMERS

Barkley East, Eastern Cape
0723132232
tjaart@barkly.co.za



Groeï			Reproduksie			
Spn. Dir.	Spn. Mat.	Na-Spn.	GLS	TWW	OEL	ILP
96	97	94	110	110	110	83
60%	46%	22%	32%	32%	28%	22%



EBV Analise 2023-08-21

Logix Meriete Indeks	104
Groeï Indeks	98
Reproduksie Indeks	110

VERKOPER OPMERKINGS: Multivax P Plus. Oop en reg vir ram.

LOT 113 (F)



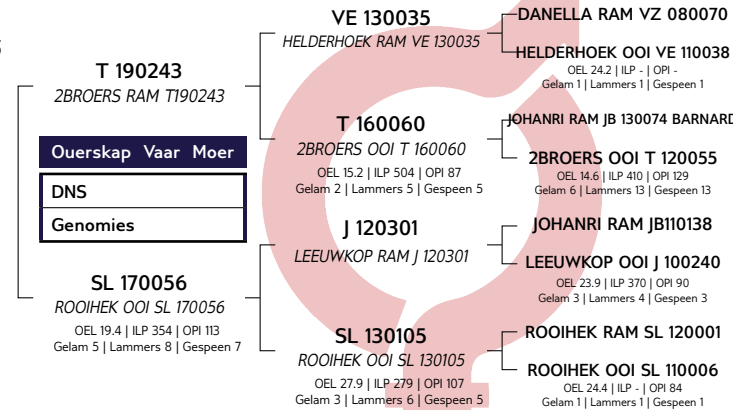
SL 220066

ROOIHEK OOI SL 220066

Kuddeboek	SP	
Geb. dtm	2022-09-12	
Oud.	1 jaar	
Inteling	6.51%	
Geb. Status	2	
OEL	ILP	OPI
-	-	-

ROOIHEK DORMERS

Barkley East, Eastern Cape
0723132232
tjaart@barkly.co.za



Groeï			Reproduksie			
Spn. Dir.	Spn. Mat.	Na-Spn.	GLS	TWW	OEL	ILP
99	106	100	103	103	109	93
64%	57%	47%	42%	42%	43%	30%

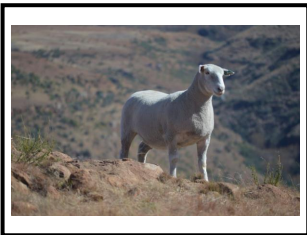


EBV Analise 2023-08-21

Logix Meriete Indeks	108
Groeï Indeks	106
Reproduksie Indeks	112

VERKOPER OPMERKINGS: Multivax P Plus. Oop en reg vir ram.

LOT 114 (F)



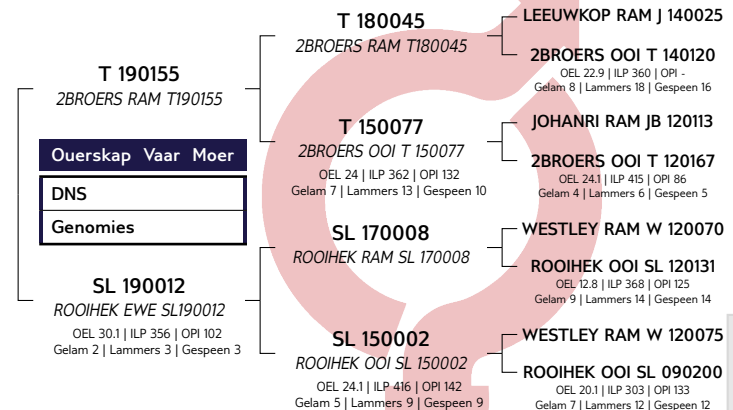
SL 220014

ROOIHEK OOI SL 220014

Kuddeboek	SP	
Geb. dtm	2022-09-06	
Oud.	1 jaar	
Inteling	4.19%	
Geb. Status	1	
OEL	ILP	OPI
-	-	-

ROOIHEK DORMERS

Barkley East, Eastern Cape
0723132232
tjaart@barkly.co.za



Groeï			Reproduksie			
Spn. Dir.	Spn. Mat.	Na-Spn.	GLS	TWW	OEL	ILP
90	94	86	110	110	99	117
58%	45%	25%	32%	32%	28%	24%

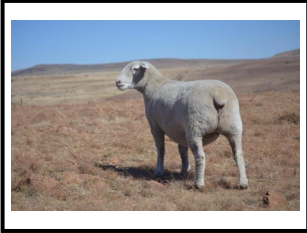


EBV Analise 2023-08-21

Logix Meriete Indeks	100
Groeï Indeks	91
Reproduksie Indeks	108

VERKOPER OPMERKINGS: Multivax P Plus. Oop en reg vir ram.

LOT 115 (F)

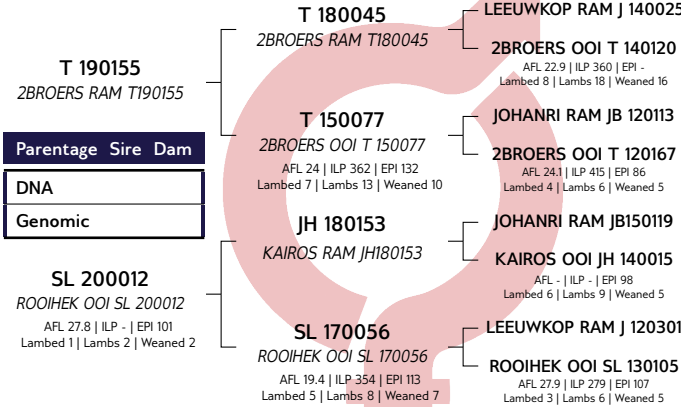


ROOIHEK DORMERS
Barkly East, Eastern Cape
0723132232
tjaart@barkly.co.za

SL 220018

ROOIHEK OOI SL 220018

Herd Book	SP	
Birth date	2022-09-06	
Age	1 years	
Inbreeding	6.11%	
Birth Stat.	2	
AFL	ILP	EPI
-	-	-



Growth			Reproduction			
Wn. Dir.	Wean Mat.	Post-Wn.	NLW	TWW	AFL	ILP
96	93	92	114	114	89	110
60%	46%	32%	35%	35%	33%	25%



EBV Analysis 2023-08-21

Logix Merit Index	103
Growth Index	96
Reproduction Index	107

SELLER REMARKS: Multivax P Plus. Oop en reg vir ram.

LOT 116 (F)

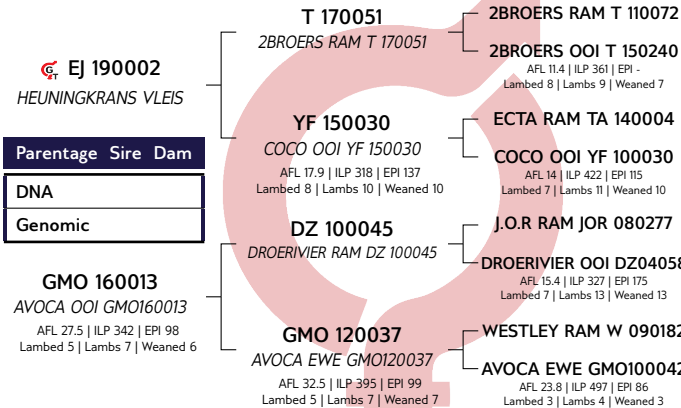


G.M.C. ORPEN
Barkly East, Eastern Cape
0824909647
avoca@eci.co.za

GMO 220042

AVOCA EWE GMO220042

Herd Book	SP	
Birth date	2022-05-11	
Age	1.3 years	
Inbreeding	4.54%	
Birth Stat.	2	
AFL	ILP	EPI
-	-	-



Growth			Reproduction			
Wn. Dir.	Wean Mat.	Post-Wn.	NLW	TWW	AFL	ILP
103	96	103	93	93	109	104
60%	49%	27%	38%	38%	36%	28%



EBV Analysis 2023-08-21

Logix Merit Index	103
Growth Index	104
Reproduction Index	99

SELLER REMARKS: Swaar dragtig met 'n tweeling van GMO 21 0086.

LOT 117 (F)

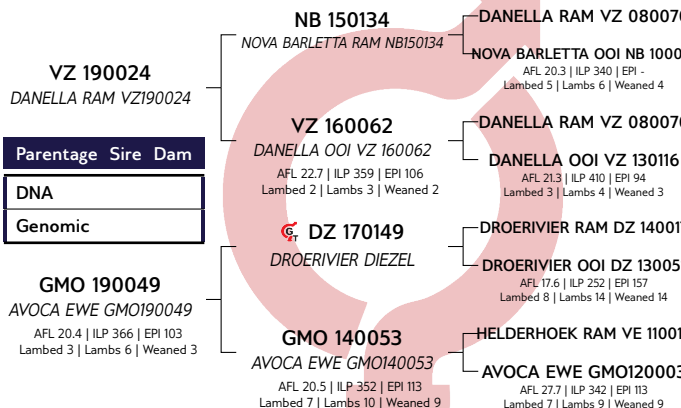


G.M.C. ORPEN
Barkly East, Eastern Cape
0824909647
avoca@eci.co.za

GMO 220008

AVOCA EWE GMO220008

Herd Book	SP	
Birth date	2022-02-04	
Age	1.6 years	
Inbreeding	6.15%	
Birth Stat.	1	
AFL	ILP	EPI
-	-	-



Growth			Reproduction			
Wn. Dir.	Wean Mat.	Post-Wn.	NLW	TWW	AFL	ILP
97	97	98	107	107	105	99
58%	43%	27%	34%	34%	31%	25%



EBV Analysis 2023-08-21

Logix Merit Index	104
Growth Index	99
Reproduction Index	108

SELLER REMARKS: Swaar dragtig met 'n tweeling van GMO 21 0086.

LOT 118 (F)



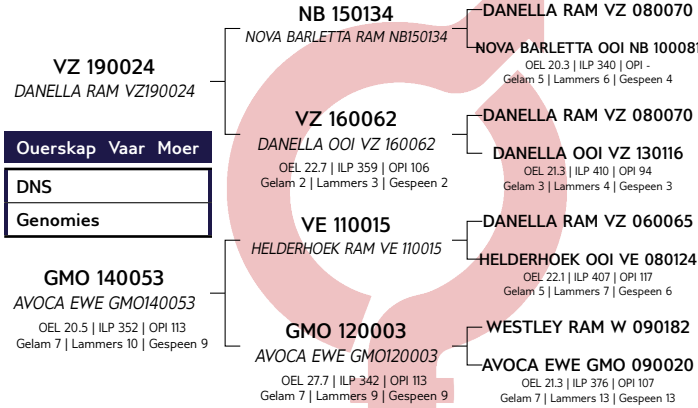
GMO 220012

AVOCA EWE GMO220012

Kuddeboek	SP	
Geb. dtm	2022-02-08	
Oud.	1.6 jaar	
Inteling	5.14%	
Geb. Status	1	
OEL	ILP	OPI
-	-	-

G.M.C. ORPEN

Barkly East, Eastern Cape
0824909647
avoca@eci.co.za



Groi			Reproduksie			
Spn. Dir.	Spn. Mat.	Na-Spn.	GLS	TWW	OEL	ILP
94	104	97	102	102	101	98
59%	48%	26%	38%	38%	32%	27%



EBV Analise 2023-08-21

Logix Meriete Indeks	101
Groi Indeks	99
Reproduksie Indeks	106

VERKOPER OPMERKINGS: Swaar dragtig met 'n tweeling van GMO 21 0086.

LOT 119 (F)



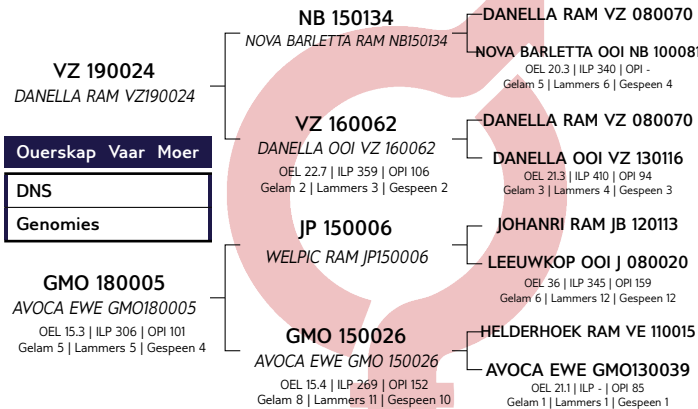
GMO 220016

AVOCA EWE GMO220016

Kuddeboek	SP	
Geb. dtm	2022-02-13	
Oud.	1.6 jaar	
Inteling	4.67%	
Geb. Status	1	
OEL	ILP	OPI
-	-	-

G.M.C. ORPEN

Barkly East, Eastern Cape
0824909647
avoca@eci.co.za



Groi			Reproduksie			
Spn. Dir.	Spn. Mat.	Na-Spn.	GLS	TWW	OEL	ILP
88	93	90	103	103	99	105
58%	45%	26%	36%	36%	32%	26%



EBV Analise 2023-08-21

Logix Meriete Indeks	92
Groi Indeks	88
Reproduksie Indeks	99

VERKOPER OPMERKINGS: Swaar dragtig met 'n tweeling van GMO 21 0086.

LOT 120 (F)



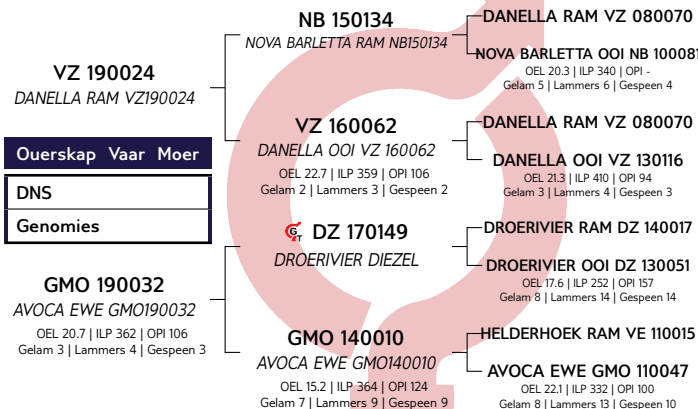
GMO 220005

AVOCA EWE GMO220005

Kuddeboek	SP	
Geb. dtm	2022-02-02	
Oud.	1.6 jaar	
Inteling	5.89%	
Geb. Status	1	
OEL	ILP	OPI
-	-	-

G.M.C. ORPEN

Barkly East, Eastern Cape
0824909647
avoca@eci.co.za



Groi			Reproduksie			
Spn. Dir.	Spn. Mat.	Na-Spn.	GLS	TWW	OEL	ILP
92	100	94	106	106	108	103
57%	43%	27%	34%	34%	31%	25%



EBV Analise 2023-08-21

Logix Meriete Indeks	101
Groi Indeks	95
Reproduksie Indeks	109

VERKOPER OPMERKINGS: Swaar dragtig met 'n tweeling van GMO 21 0086.

LOT 121 (F)

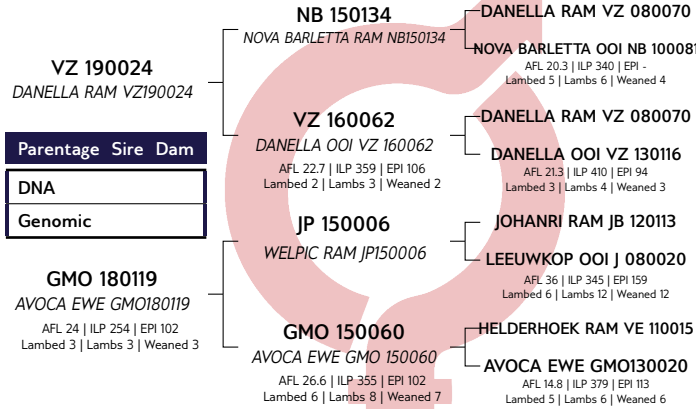


GMO 220014

AVOCA EWE GMO220014

Herd Book	SP	
Birth date	2022-02-10	
Age	1.6 years	
Inbreeding	4.42%	
Birth Stat.	1	
AFL	ILP	EPI
-	-	-

G.M.C. ORPEN
Barkly East, Eastern Cape
0824909647
avoca@eci.co.za



Growth			Reproduction			
Wn. Dir.	Wean Mat.	Post-Wn.	NLW	TWW	AFL	ILP
93	91	94	104	104	99	104
57%	44%	26%	35%	35%	31%	26%

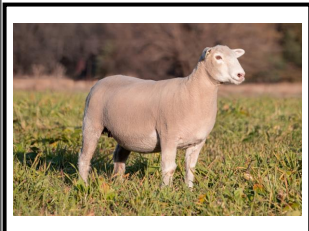


EBV Analysis 2023-08-21

Logix Merit Index	96
Growth Index	92
Reproduction Index	99

SELLER REMARKS: Swaar dragtig met 'n tweeling van GMO 21 0086.

LOT 122 (F)

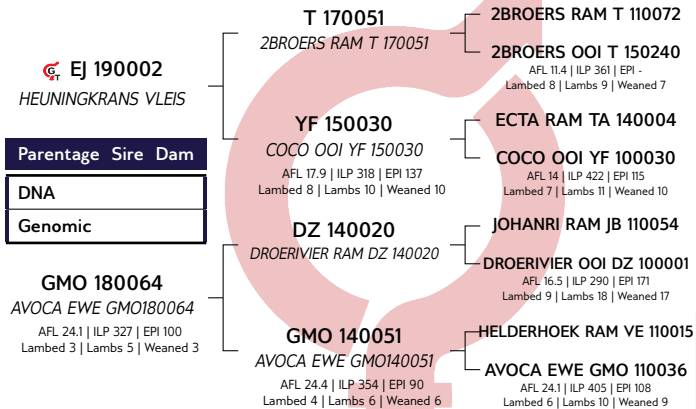


GMO 220057

AVOCA EWE GMO220057

Herd Book	SP	
Birth date	2022-05-30	
Age	1.3 years	
Inbreeding	4.71%	
Birth Stat.	2	
AFL	ILP	EPI
-	-	-

G.M.C. ORPEN
Barkly East, Eastern Cape
0824909647
avoca@eci.co.za



Growth			Reproduction			
Wn. Dir.	Wean Mat.	Post-Wn.	NLW	TWW	AFL	ILP
101	99	102	91	91	89	94
59%	48%	28%	38%	38%	37%	28%



EBV Analysis 2023-08-21

Logix Merit Index	96
Growth Index	104
Reproduction Index	91

SELLER REMARKS: Swaar dragtig met eenling van GMO 21 0086.

LOT 123 (F)

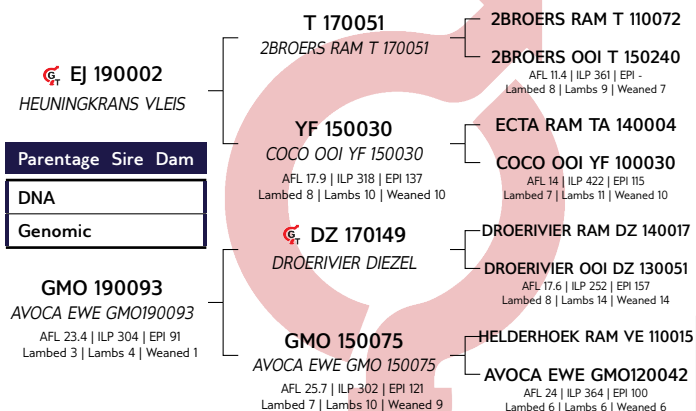


GMO 220053

AVOCA EWE GMO220053

Herd Book	SP	
Birth date	2022-05-27	
Age	1.3 years	
Inbreeding	4.68%	
Birth Stat.	1	
AFL	ILP	EPI
-	-	-

G.M.C. ORPEN
Barkly East, Eastern Cape
0824909647
avoca@eci.co.za



Growth			Reproduction			
Wn. Dir.	Wean Mat.	Post-Wn.	NLW	TWW	AFL	ILP
102	93	101	93	93	108	106
58%	45%	22%	34%	34%	34%	24%



EBV Analysis 2023-08-21

Logix Merit Index	100
Growth Index	101
Reproduction Index	96

SELLER REMARKS: Swaar dragtig met 'n tweeling van GMO 21 0086.

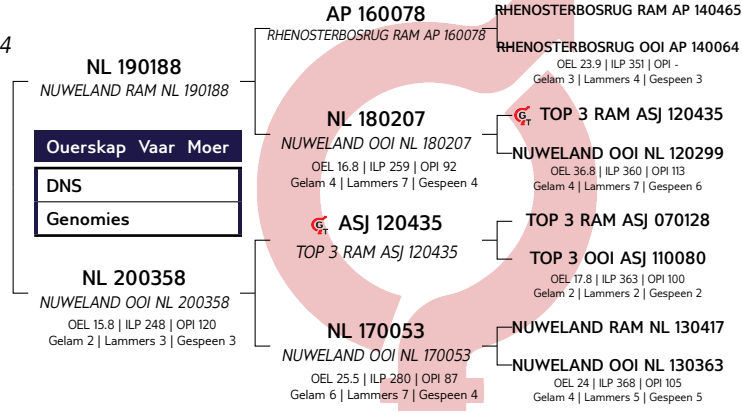
LOT 124 (F)



NL 220024
NUWELAND OOI NL 220024

Kuddeboek	SP	
Geb. dtm	2022-03-10	
Oud.	1.5 jaar	
Inteling	12.6%	
Geb. Status	1	
OEL	ILP	OPI
-	-	-

NUWELAND DORMERS
Malmesbury, Western Cape
ewan@nuweland.co.za



Groeï			Reproduksie			
Spn. Dir.	Spn. Mat.	Na-Spn.	GLS	TWW	OEL	ILP
104	114	120	99	99	101	123
60%	47%	57%	35%	35%	34%	26%



Logix Meriete Indeks	114
Groeï Indeks	114
Reproduksie Indeks	114

VERKOPER OPMERKINGS: Dragtig met ram NL21-254

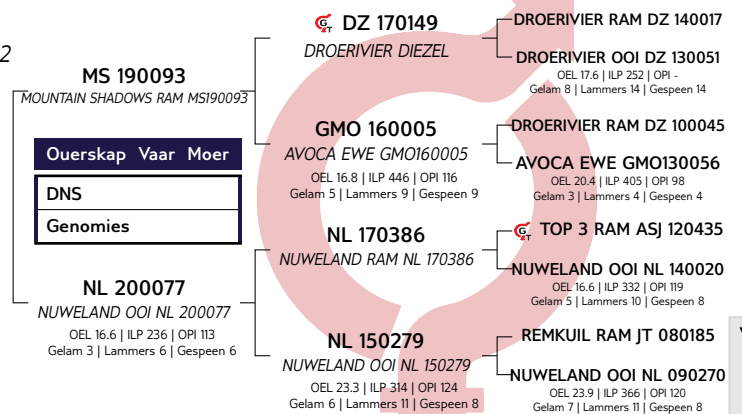
LOT 125 (F)



NL 220032
NUWELAND OOI NL 220032

Kuddeboek	SP	
Geb. dtm	2022-03-13	
Oud.	1.5 jaar	
Inteling	3.83%	
Geb. Status	2	
OEL	ILP	OPI
-	-	-

NUWELAND DORMERS
Malmesbury, Western Cape
ewan@nuweland.co.za



Groeï			Reproduksie			
Spn. Dir.	Spn. Mat.	Na-Spn.	GLS	TWW	OEL	ILP
108	104	114	115	115	107	103
62%	48%	59%	34%	34%	30%	25%



Logix Meriete Indeks	121
Groeï Indeks	113
Reproduksie Indeks	123

VERKOPER OPMERKINGS:

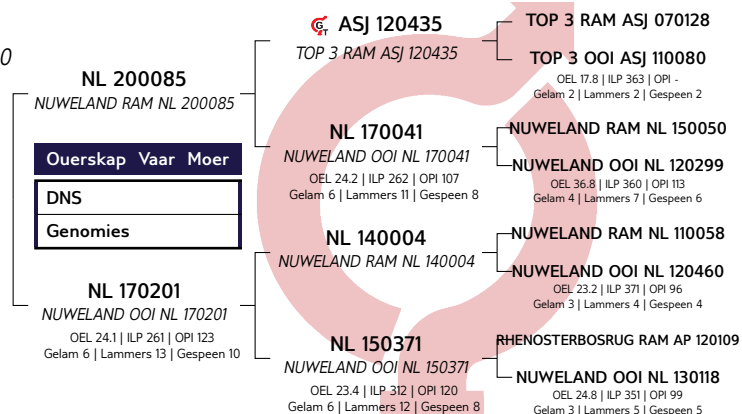
LOT 126 (F)



NL 220050
NUWELAND OOI NL 220050

Kuddeboek	SP	
Geb. dtm	2022-03-14	
Oud.	1.5 jaar	
Inteling	5.33%	
Geb. Status	3	
OEL	ILP	OPI
-	-	-

NUWELAND DORMERS
Malmesbury, Western Cape
ewan@nuweland.co.za



Groeï			Reproduksie			
Spn. Dir.	Spn. Mat.	Na-Spn.	GLS	TWW	OEL	ILP
95	120	104	104	104	107	103
61%	48%	58%	37%	37%	30%	25%



Logix Meriete Indeks	112
Groeï Indeks	109
Reproduksie Indeks	121

VERKOPER OPMERKINGS: Dragtig van ram NL22-019

LOT 127 (F)



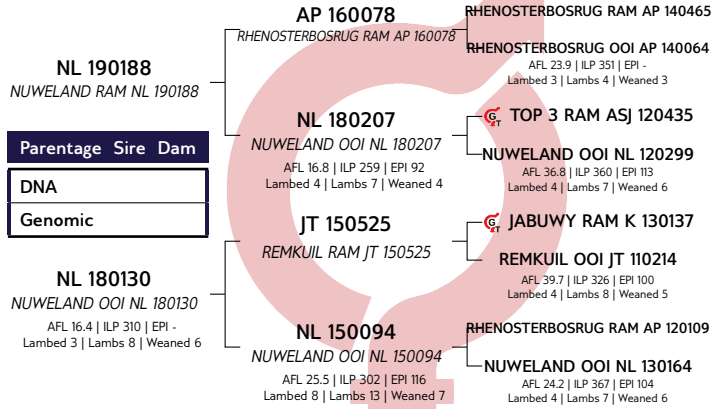
NUWELAND DORMERS

Malmesbury, Western Cape
ewan@nuweland.co.za

NL 220063

NUWELAND OOI NL 220063

Herd Book	SP	
Birth date	2022-03-15	
Age	1.5 years	
Inbreeding	5.5%	
Birth Stat.	2	
AFL	ILP	EPI
-	-	-



Growth			Reproduction			
Wn. Dir.	Wean Mat.	Post-Wn.	NLW	TWW	AFL	ILP
104	108	109	105	105	101	102
61%	48%	57%	34%	34%	32%	23%



EBV Analysis 2023-08-21

Logix Merit Index	112
Growth Index	110
Reproduction Index	114

SELLER REMARKS: Dragtig met tweeling van ram NL22-019

LOT 128 (F)



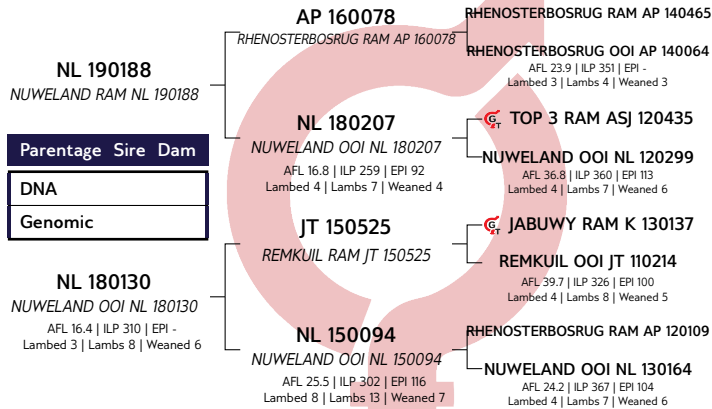
NUWELAND DORMERS

Malmesbury, Western Cape
ewan@nuweland.co.za

NL 220064

NUWELAND OOI NL 220064

Herd Book	SP	
Birth date	2022-03-15	
Age	1.5 years	
Inbreeding	5.5%	
Birth Stat.	2	
AFL	ILP	EPI
-	-	-



Growth			Reproduction			
Wn. Dir.	Wean Mat.	Post-Wn.	NLW	TWW	AFL	ILP
103	108	108	105	105	101	102
61%	48%	57%	34%	34%	32%	23%



EBV Analysis 2023-08-21

Logix Merit Index	112
Growth Index	110
Reproduction Index	114

SELLER REMARKS: Dragtig van ram NL22-019

LOT 129 (F)



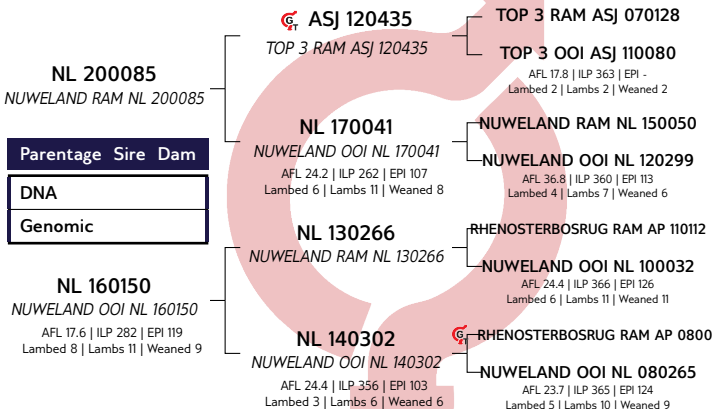
NUWELAND DORMERS

Malmesbury, Western Cape
ewan@nuweland.co.za

NL 210249

NUWELAND EWE NL 210249

Herd Book	SP	
Birth date	2021-11-01	
Age	1.8 years	
Inbreeding	7.65%	
Birth Stat.	1	
AFL	ILP	EPI
-	-	-



Growth			Reproduction			
Wn. Dir.	Wean Mat.	Post-Wn.	NLW	TWW	AFL	ILP
94	113	108	106	106	96	106
61%	48%	57%	37%	37%	30%	25%



EBV Analysis 2023-08-21

Logix Merit Index	107
Growth Index	103
Reproduction Index	115

SELLER REMARKS: Dragtig met tweeling van ram NL22-019

LOT 130 (F)

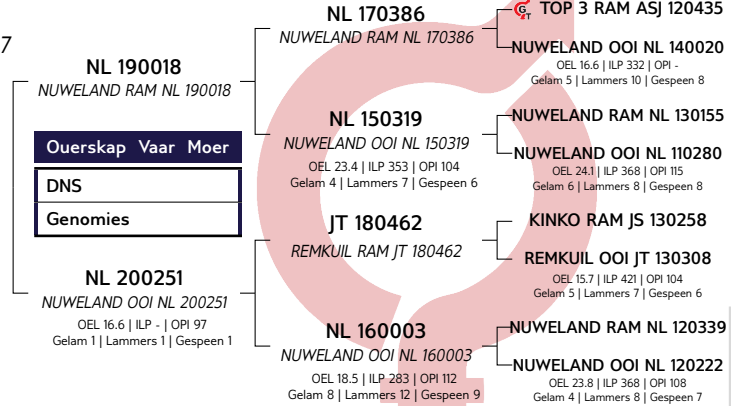


NUWELAND DORMERS
Malmesbury, Western Cape
ewan@nuweland.co.za



NL 220097
NUWELAND OOI NL 220097

Kuddeboek	SP	
Geb. dtm	2022-03-19	
Oud.	1.5 jaar	
Inteling	5.26%	
Geb. Status	1	
OEL	ILP	OPI
-	-	-



Groeï			Reproduksie			
Spn. Dir.	Spn. Mat.	Na-Spn.	GLS	TWW	OEL	ILP
96	113	101	108	108	88	110
59%	43%	55%	31%	31%	29%	21%



EBV Analise 2023-08-21

Logix Meriete Indeks	109
Groeï Indeks	106
Reproduksie Indeks	115

VERKOPER OPMERKINGS: Dragtig met tweeling van ram JP21-076

LOT 131 (F)

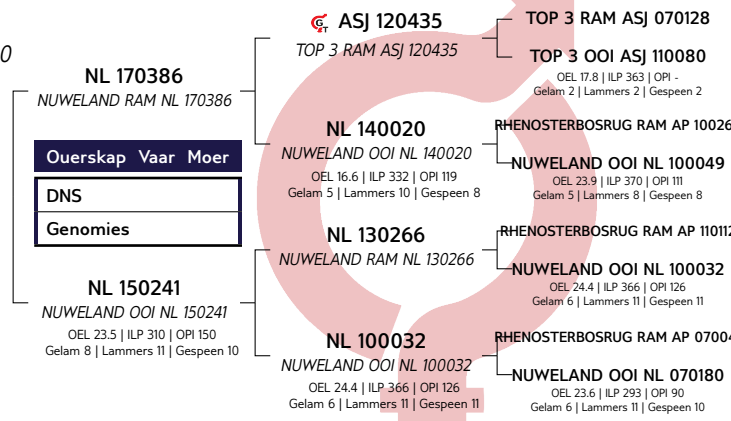


NUWELAND DORMERS
Malmesbury, Western Cape
ewan@nuweland.co.za



NL 200320
NUWELAND OOI NL 200320

Kuddeboek	SP	
Geb. dtm	2020-11-07	
Oud.	2.8 jaar	
Inteling	6.12%	
Geb. Status	1	
OEL	ILP	OPI
16.5m	342d	99
Gelam	2	
Lammers	4	
Gespeen	2	



Groeï			Reproduksie			
Spn. Dir.	Spn. Mat.	Na-Spn.	GLS	TWW	OEL	ILP
89	95	102	121	121	95	103
64%	62%	59%	48%	48%	42%	32%



EBV Analise 2023-08-21

Logix Meriete Indeks	102
Groeï Indeks	90
Reproduksie Indeks	114

VERKOPER OPMERKINGS: Dragtig van ram JP21-076

LOT 132 (F)

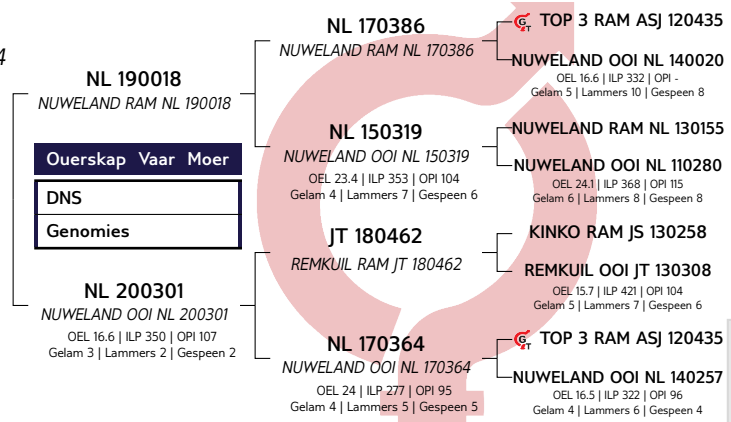


NUWELAND DORMERS
Malmesbury, Western Cape
ewan@nuweland.co.za



NL 220114
NUWELAND OOI NL 220114

Kuddeboek	SP	
Geb. dtm	2022-03-24	
Oud.	1.4 jaar	
Inteling	7.98%	
Geb. Status	1	
OEL	ILP	OPI
-	-	-



Groeï			Reproduksie			
Spn. Dir.	Spn. Mat.	Na-Spn.	GLS	TWW	OEL	ILP
99	117	104	102	102	90	107
59%	44%	54%	32%	32%	30%	23%



EBV Analise 2023-08-21

Logix Meriete Indeks	109
Groeï Indeks	110
Reproduksie Indeks	113

VERKOPER OPMERKINGS: Dragtig van ram JP21-076

LOT 133 (F)



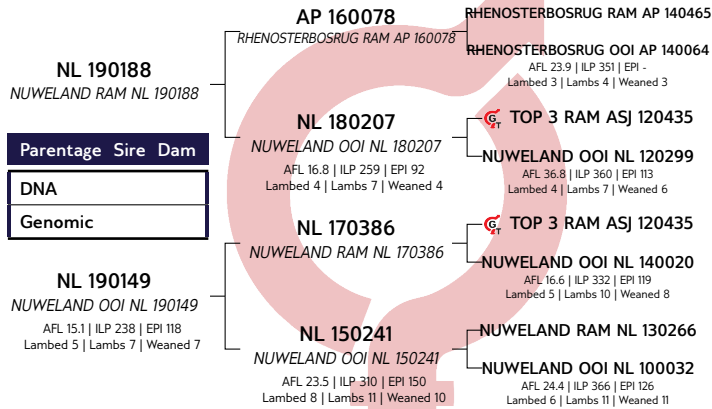
NUWELAND DORMERS
Malmesbury, Western Cape
ewan@nuweland.co.za

NL 220182

NUWELAND OOI NL 220182



Herd Book	SP	
Birth date	2022-07-18	
Age	1.1 years	
Inbreeding	9.38%	
Birth Stat.	2	
AFL	ILP	EPI
-	-	-



Growth			Reproduction			
Wn. Dir.	Wean Mat.	Post-Wn.	NLW	TWW	AFL	ILP
94	106	108	114	114	98	117
61%	49%	57%	35%	35%	31%	22%



EBV Analysis 2023-08-21

Logix Merit Index	109
Growth Index	100
Reproduction Index	118

SELLER REMARKS: Dragtig met tweeling van ram JP21-076

LOT 134 (F)



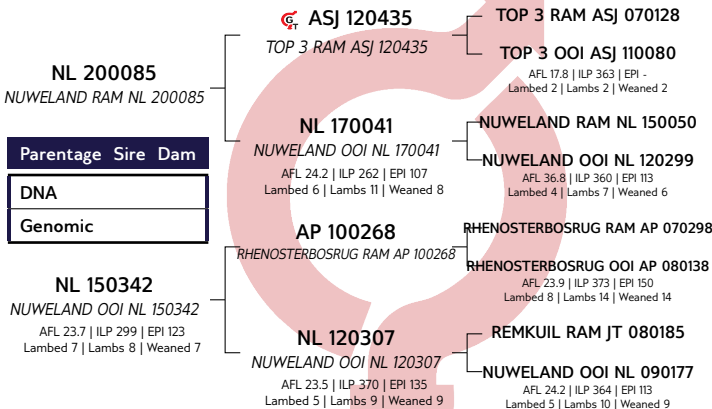
NUWELAND DORMERS
Malmesbury, Western Cape
ewan@nuweland.co.za

NL 220068

NUWELAND OOI NL 220068



Herd Book	SP	
Birth date	2022-03-15	
Age	1.5 years	
Inbreeding	7.93%	
Birth Stat.	1	
AFL	ILP	EPI
-	-	-



Growth			Reproduction			
Wn. Dir.	Wean Mat.	Post-Wn.	NLW	TWW	AFL	ILP
96	109	116	99	99	97	109
61%	48%	58%	39%	39%	33%	28%



EBV Analysis 2023-08-21

Logix Merit Index	103
Growth Index	104
Reproduction Index	107

SELLER REMARKS: Dragtig met tweeling van ram NL22-019

LOT 135 (F)



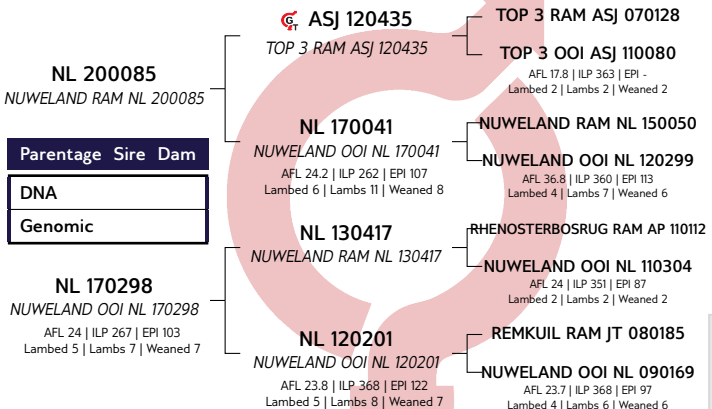
NUWELAND DORMERS
Malmesbury, Western Cape
ewan@nuweland.co.za

NL 220085

NUWELAND OOI NL 220085



Herd Book	SP	
Birth date	2022-03-17	
Age	1.5 years	
Inbreeding	6.01%	
Birth Stat.	2	
AFL	ILP	EPI
-	-	-



Growth			Reproduction			
Wn. Dir.	Wean Mat.	Post-Wn.	NLW	TWW	AFL	ILP
90	113	102	102	102	100	109
61%	47%	57%	36%	36%	31%	25%



EBV Analysis 2023-08-21

Logix Merit Index	101
Growth Index	99
Reproduction Index	111

SELLER REMARKS: Dragtig met tweeling van ram NL22-019

LOT 136 (F)



J.J. NEL & SEUN
Lady Grey, Eastern Cape
vickienjj@posdit.co.za

JN 210007
SKAAPVLEI OOI JN 210007



Kuddeboek	SP	
Geb. dtm	2021-08-02	
Oud.	2.1 jaar	
Inteling	19.07%	
Geb. Status	2	
OEL	ILP	OPI
-	-	-

JN 190019
SKAAPVLEI RAM JN190019

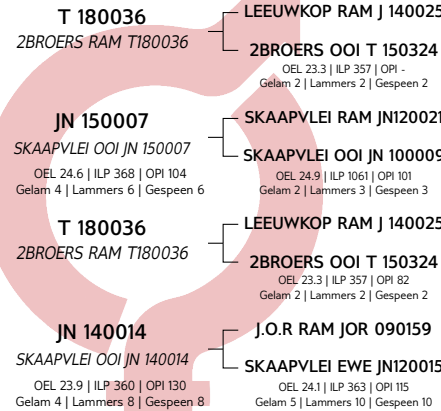
Ouerskap Vaar Moer

DNS

Genomies

JN 190002
SKAAPVLEI EWE JN190002

OEL 24 | ILP 367 | OPI 106
Gelam 2 | Lammers 4 | Gespeen 4



Groi			Reproduksie			
Spn. Dir.	Spn. Mat.	Na-Spn.	GLS	TWW	OEL	ILP
92	101	88	80	80	87	115
57%	44%	17%	31%	31%	29%	24%



EBV Analise 2023-08-21

Logix Meriete Indeks	85
Groi Indeks	96
Reproduksie Indeks	83

VERKOPER OPMERKINGS: Dragtig met tweeling van SL 21 0003. Lam Oktober 2023.

LOT 137 (F)



J.J. NEL & SEUN
Lady Grey, Eastern Cape
vickienjj@posdit.co.za

JN 210044
SKAAPVLEI OOI JN 210044



Kuddeboek	SP	
Geb. dtm	2021-08-15	
Oud.	2 jaar	
Inteling	21.8%	
Geb. Status	2	
OEL	ILP	OPI
-	-	-

JN 190009
SKAAPVLEI RAM JN190009

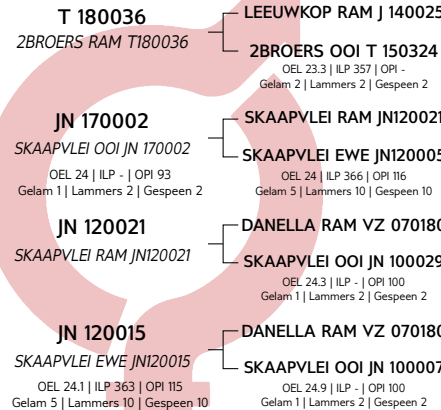
Ouerskap Vaar Moer

DNS

Genomies

JN 170012
SKAAPVLEI OOI JN 170012

OEL 23.9 | ILP 371 | OPI 112
Gelam 3 | Lammers 6 | Gespeen 6



Groi			Reproduksie			
Spn. Dir.	Spn. Mat.	Na-Spn.	GLS	TWW	OEL	ILP
79	92	81	73	73	92	124
58%	46%	16%	34%	34%	31%	23%



EBV Analise 2023-08-21

Logix Meriete Indeks	69
Groi Indeks	78
Reproduksie Indeks	71

VERKOPER OPMERKINGS: Dragtig met eenling van SL 21 0003. Lam Oktober 2023.

LOT 138 (F)



J.J. NEL & SEUN
Lady Grey, Eastern Cape
vickienjj@posdit.co.za

JN 210002
SKAAPVLEI OOI JN 210002



Kuddeboek	SP	
Geb. dtm	2021-08-01	
Oud.	2.1 jaar	
Inteling	18.04%	
Geb. Status	2	
OEL	ILP	OPI
-	-	-

JN 190019
SKAAPVLEI RAM JN190019

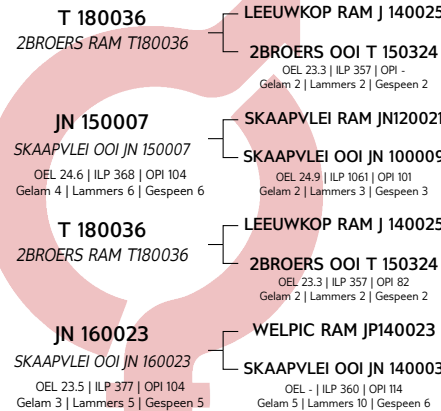
Ouerskap Vaar Moer

DNS

Genomies

JN 190053
SKAAPVLEI EWE JN190053

OEL 23.3 | ILP 388 | OPI 101
Gelam 2 | Lammers 3 | Gespeen 3



Groi			Reproduksie			
Spn. Dir.	Spn. Mat.	Na-Spn.	GLS	TWW	OEL	ILP
94	108	90	78	78	111	105
56%	43%	16%	31%	31%	29%	24%



EBV Analise 2023-08-21

Logix Meriete Indeks	93
Groi Indeks	101
Reproduksie Indeks	92

VERKOPER OPMERKINGS: Dragtig met tweeling van SL 21 0003. Lam Oktober 2023.

LOT 139 (F)

JN 210067

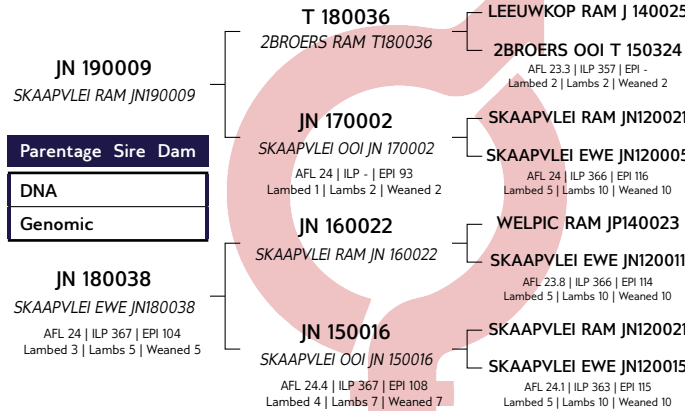


SKAAPVLEI OOI JN 210067

Herd Book	SP
Birth date	2021-08-19
Age	2 years
Inbreeding	16.94%
Birth Stat.	2
AFL	ILP
EPI	

J.J. NEL & SEUN

Lady Grey, Eastern Cape
vickienjj@posdit.co.za



Growth			Reproduction			
Wn. Dir.	Wean Mat.	Post-Wn.	NLW	TWW	AFL	ILP
82	102	83	79	79	100	123
57%	44%	15%	32%	32%	29%	22%



EBV Analysis 2023-08-21

Logix Merit Index	80
Growth Index	86
Reproduction Index	85

SELLER REMARKS: Dragtig met eenling van SL 21 0003. Lam Oktober 2023.

LOT 140 (F)

JN 210012

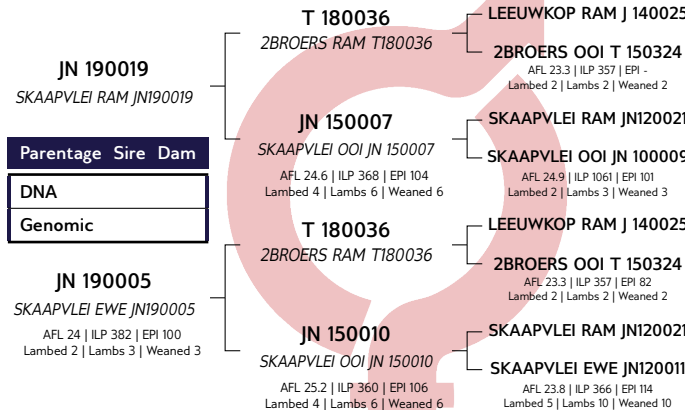


SKAAPVLEI OOI JN 210012

Herd Book	SP
Birth date	2021-08-03
Age	2.1 years
Inbreeding	24%
Birth Stat.	2
AFL	ILP
EPI	

J.J. NEL & SEUN

Lady Grey, Eastern Cape
vickienjj@posdit.co.za



Growth			Reproduction			
Wn. Dir.	Wean Mat.	Post-Wn.	NLW	TWW	AFL	ILP
90	96	87	73	73	86	116
56%	43%	16%	31%	31%	29%	24%



EBV Analysis 2023-08-21

Logix Merit Index	78
Growth Index	91
Reproduction Index	73

SELLER REMARKS: Dragtig met eenling van SL 21 0003. Lam Oktober 2023.

LOT 141 (F)

JN 210024

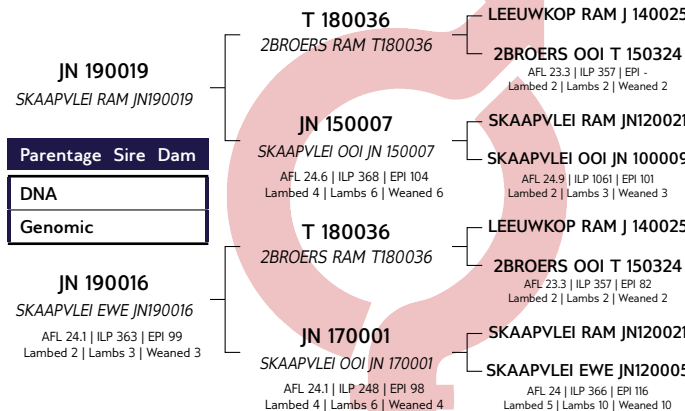


SKAAPVLEI OOI JN 210024

Herd Book	SP
Birth date	2021-08-08
Age	2.1 years
Inbreeding	24%
Birth Stat.	2
AFL	ILP
EPI	

J.J. NEL & SEUN

Lady Grey, Eastern Cape
vickienjj@posdit.co.za



Growth			Reproduction			
Wn. Dir.	Wean Mat.	Post-Wn.	NLW	TWW	AFL	ILP
85	95	83	74	74	86	120
56%	42%	16%	31%	31%	29%	23%



EBV Analysis 2023-08-21

Logix Merit Index	74
Growth Index	86
Reproduction Index	73

SELLER REMARKS: Dragtig met tweeling van SL 21 0003. Lam Oktober 2023.

LOT 142 (F)



JN 210021

SKAAPVLEI OOI JN 210021

Kuddeboek	SP	
Geb. dtm	2021-08-07	
Oud.	2.1 jaar	
Inteling	24%	
Geb. Status	2	
OEL	ILP	OPI
-	-	-

J.J. NEL & SEUN
Lady Grey, Eastern Cape
vickienjj@posdit.co.za

JN 190019
SKAAPVLEI RAM JN190019

Ouerskap	Vaar	Moer
DNS		
Genomies		

JN 190030
SKAAPVLEI EWE JN190030
OEL 23.9 | ILP 363 | OPI 106
Gelam 2 | Lammers 4 | Gespeen 4

T 180036
2BROERS RAM T180036
LEEUEWKOP RAM J 140025
2BROERS OOI T 150324
OEL 23.3 | ILP 357 | OPI -
Gelam 2 | Lammers 2 | Gespeen 2

JN 150007
SKAAPVLEI OOI JN 150007
SKAAPVLEI RAM JN120021
SKAAPVLEI OOI JN 100009
OEL 24.6 | ILP 368 | OPI 104
Gelam 4 | Lammers 6 | Gespeen 6
OEL 24.9 | ILP 1061 | OPI 101
Gelam 2 | Lammers 3 | Gespeen 3

T 180036
2BROERS RAM T180036
LEEUEWKOP RAM J 140025
2BROERS OOI T 150324
OEL 23.3 | ILP 357 | OPI 82
Gelam 2 | Lammers 2 | Gespeen 2

JN 150015
SKAAPVLEI OOI JN 150015
SKAAPVLEI RAM JN120021
SKAAPVLEI EWE JN120005
OEL 24.8 | ILP 364 | OPI 108
Gelam 4 | Lammers 7 | Gespeen 7
OEL 24 | ILP 366 | OPI 116
Gelam 5 | Lammers 10 | Gespeen 10

Groi			Reproduksie			
Spn. Dir.	Spn. Mat.	Na-Spn.	GLS	TWW	OEL	ILP
85	99	83	76	76	91	121
57%	44%	16%	31%	31%	29%	24%



EBV Analise 2023-08-21

Logix Meriete Indeks	78
Groi Indeks	88
Reproduksie Indeks	79

VERKOPER OPMERKINGS: Dragtig met eenling van SL 21 0003. Lam Oktober 2023.

LOT 143 (F)



JN 210018

SKAAPVLEI OOI JN 210018

Kuddeboek	SP	
Geb. dtm	2021-08-06	
Oud.	2.1 jaar	
Inteling	24%	
Geb. Status	2	
OEL	ILP	OPI
-	-	-

J.J. NEL & SEUN
Lady Grey, Eastern Cape
vickienjj@posdit.co.za

JN 190019
SKAAPVLEI RAM JN190019

Ouerskap	Vaar	Moer
DNS		
Genomies		

JN 190007
SKAAPVLEI EWE JN190007
OEL 24.1 | ILP 365 | OPI 100
Gelam 2 | Lammers 3 | Gespeen 3

T 180036
2BROERS RAM T180036
LEEUEWKOP RAM J 140025
2BROERS OOI T 150324
OEL 23.3 | ILP 357 | OPI -
Gelam 2 | Lammers 2 | Gespeen 2

JN 150007
SKAAPVLEI OOI JN 150007
SKAAPVLEI RAM JN120021
SKAAPVLEI OOI JN 100009
OEL 24.6 | ILP 368 | OPI 104
Gelam 4 | Lammers 6 | Gespeen 6
OEL 24.9 | ILP 1061 | OPI 101
Gelam 2 | Lammers 3 | Gespeen 3

T 180036
2BROERS RAM T180036
LEEUEWKOP RAM J 140025
2BROERS OOI T 150324
OEL 23.3 | ILP 357 | OPI 82
Gelam 2 | Lammers 2 | Gespeen 2

JN 150016
SKAAPVLEI OOI JN 150016
SKAAPVLEI RAM JN120021
SKAAPVLEI EWE JN120015
OEL 24.4 | ILP 367 | OPI 108
Gelam 4 | Lammers 7 | Gespeen 7
OEL 24.1 | ILP 363 | OPI 115
Gelam 5 | Lammers 10 | Gespeen 10

Groi			Reproduksie			
Spn. Dir.	Spn. Mat.	Na-Spn.	GLS	TWW	OEL	ILP
85	99	83	73	73	86	121
56%	43%	16%	31%	31%	29%	24%



EBV Analise 2023-08-21

Logix Meriete Indeks	75
Groi Indeks	88
Reproduksie Indeks	75

VERKOPER OPMERKINGS: Dragtig met tweeling van SL 21 0003. Lam Oktober 2023.

LOT 144 (F)



JN 210008

SKAAPVLEI OOI JN 210008

Kuddeboek	SP	
Geb. dtm	2021-08-02	
Oud.	2.1 jaar	
Inteling	19.5%	
Geb. Status	2	
OEL	ILP	OPI
-	-	-

J.J. NEL & SEUN
Lady Grey, Eastern Cape
vickienjj@posdit.co.za

JN 190019
SKAAPVLEI RAM JN190019

Ouerskap	Vaar	Moer
DNS		
Genomies		

JN 190022
SKAAPVLEI EWE JN190022
OEL 23.9 | ILP 380 | OPI 100
Gelam 2 | Lammers 3 | Gespeen 3

T 180036
2BROERS RAM T180036
LEEUEWKOP RAM J 140025
2BROERS OOI T 150324
OEL 23.3 | ILP 357 | OPI -
Gelam 2 | Lammers 2 | Gespeen 2

JN 150007
SKAAPVLEI OOI JN 150007
SKAAPVLEI RAM JN120021
SKAAPVLEI OOI JN 100009
OEL 24.6 | ILP 368 | OPI 104
Gelam 4 | Lammers 6 | Gespeen 6
OEL 24.9 | ILP 1061 | OPI 101
Gelam 2 | Lammers 3 | Gespeen 3

T 180036
2BROERS RAM T180036
LEEUEWKOP RAM J 140025
2BROERS OOI T 150324
OEL 23.3 | ILP 357 | OPI 82
Gelam 2 | Lammers 2 | Gespeen 2

JN 160007
SKAAPVLEI OOI JN 160007
WELPIC RAM JP140023
SKAAPVLEI EWE JN120015
OEL 24.7 | ILP 361 | OPI 92
Gelam 3 | Lammers 3 | Gespeen 3
OEL 24.1 | ILP 363 | OPI 115
Gelam 5 | Lammers 10 | Gespeen 10

Groi			Reproduksie			
Spn. Dir.	Spn. Mat.	Na-Spn.	GLS	TWW	OEL	ILP
84	98	82	76	76	89	118
56%	42%	16%	31%	31%	29%	24%



EBV Analise 2023-08-21

Logix Meriete Indeks	76
Groi Indeks	86
Reproduksie Indeks	76

VERKOPER OPMERKINGS: Dragtig met eenling van SL 21 0003. Lam Oktober 2023.

LOT 145 (F)



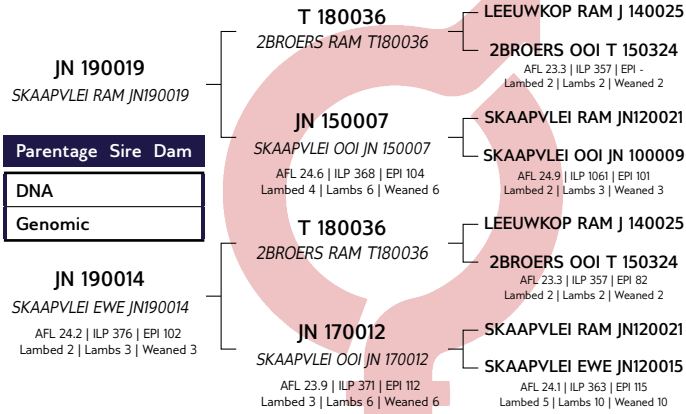
J.J. NEL & SEUN
Lady Grey, Eastern Cape
vickienjj@posdit.co.za

JN 210033

SKAAPVLEI OOI JN 210033



Herd Book	SP	
Birth date	2021-08-11	
Age	2.1 years	
Inbreeding	24%	
Birth Stat.	2	
AFL	ILP	EPI
-	-	-



Growth			Reproduction			
Wn. Dir.	Wean Mat.	Post-Wn.	NLW	TWW	AFL	ILP
90	98	87	72	72	84	119
56%	43%	16%	31%	31%	29%	24%



EBV Analysis 2023-08-21

Logix Merit Index	78
Growth Index	93
Reproduction Index	74

SELLER REMARKS: Dragtig met eenling van SL 21 0003. Lam Oktober 2023.

LOT 146 (F)



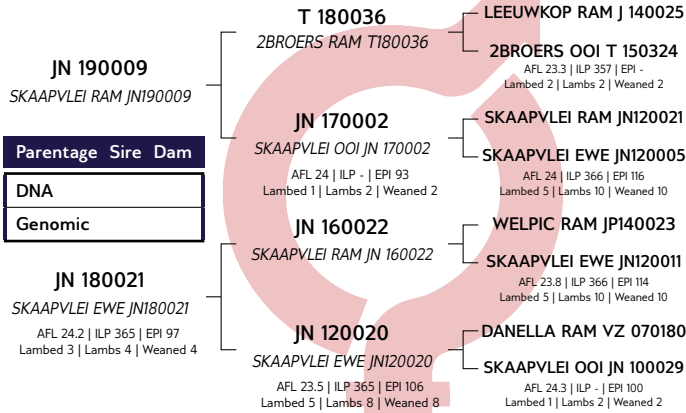
J.J. NEL & SEUN
Lady Grey, Eastern Cape
vickienjj@posdit.co.za

JN 210042

SKAAPVLEI OOI JN 210042



Herd Book	SP	
Birth date	2021-08-14	
Age	2 years	
Inbreeding	15.96%	
Birth Stat.	1	
AFL	ILP	EPI
-	-	-



Growth			Reproduction			
Wn. Dir.	Wean Mat.	Post-Wn.	NLW	TWW	AFL	ILP
79	109	82	73	73	94	123
57%	43%	16%	32%	32%	29%	23%



EBV Analysis 2023-08-21

Logix Merit Index	77
Growth Index	87
Reproduction Index	83

SELLER REMARKS: Dragtig met eenling van SL 21 0003. Lam Oktober 2023.

LOT 147 (F)



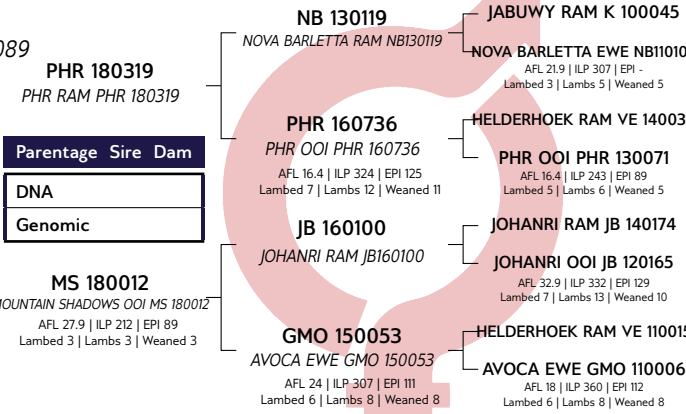
J.L. DU RANDT
Elliot, Eastern Cape
0848808920
juandurandt12@gmail.com

MS 200089

MOUNTAIN SHADOWS EWE MS200089



Herd Book	SP	
Birth date	2020-08-31	
Age	3 years	
Inbreeding	4.62%	
Birth Stat.	1	
AFL	ILP	EPI
18.4m	284d	138
Lambd	2	
Lams	4	
Weaned	4	



Growth			Reproduction			
Wn. Dir.	Wean Mat.	Post-Wn.	NLW	TWW	AFL	ILP
85	106	88	93	93	91	105
62%	62%	31%	42%	42%	38%	31%



EBV Analysis 2023-08-21

Logix Merit Index	88
Growth Index	91
Reproduction Index	95

SELLER REMARKS: Dragtig met tweeling van DZ 21 0129.

LOT 148 (F)



J.L. DU RANDT

Elliot, Eastern Cape
0848808920
juandurandt1@gmail.com



MS 200015

MOUNTAIN SHADOWS EWE MS200015

Kuddeboek	SP	
Geb. dtm	2020-03-10	
Oud.	3.5 jaar	
Inteling	5.12%	
Geb. Status	2	
OEL	ILP	OPI
16.4m	399d	93
Gelam	2	
Lammers	3	
Gespeen	1	

DZ 170149 DROERIVIER DIEZEL
Ouerskap Vaar Moer
DNS
Genomies
J 140236 LEEUEWKOP OOI J 140236
OEL 23.5 ILP 294 OPI 141 Gelam 7 Lammers 12 Gespeen 12

DZ 140017 DROERIVIER RAM DZ 140017	DROERIVIER RAM DZ 110097
DZ 130051 DROERIVIER OOI DZ 130051 OEL 17.6 ILP 252 OPI 157 Gelam 8 Lammers 14 Gespeen 14	DROERIVIER OOI DZ 070257 OEL 23.7 ILP 296 OPI - Gelam 7 Lammers 12 Gespeen 12
K 120054 JABUWY RAM K 120054	LEEUEWKOP RAM J110208
J 090038 LEEUEWKOP OOI J 090038	DROERIVIER OOI DZ 110016 OEL 15.6 ILP 263 OPI 101 Gelam 4 Lammers 6 Gespeen 6
	HANDU RAM HE 090176
	HANDU OOI HE 070031 OEL 24.4 ILP 379 OPI 118 Gelam 5 Lammers 8 Gespeen 7
	LEEUEWKOP RAM J 060049
	LEEUEWKOP OOI J 060128 OEL 24.3 ILP 338 OPI 124 Gelam 5 Lammers 10 Gespeen 9

Groi			Reproduksie			
Spn. Dir.	Spn. Mat.	Na-Spn.	GLS	TWW	OEL	ILP
96	90	94	101	101	113	101
64%	60%	34%	47%	47%	44%	36%



EBV Analise 2023-08-21

Logix Meriete Indeks	99
Groi Indeks	95
Reproduksie Indeks	101

VERKOPER OPMERKINGS: Dragtig met eenling van DZ 21 0129.

LOT 149 (F)



J.L. DU RANDT

Elliot, Eastern Cape
0848808920
juandurandt1@gmail.com



MS 200057

MOUNTAIN SHADOWS EWE MS200057

Kuddeboek	SP	
Geb. dtm	2020-05-11	
Oud.	3.3 jaar	
Inteling	4.07%	
Geb. Status	2	
OEL	ILP	OPI
14.4m	524d	123
Gelam	2	
Lammers	4	
Gespeen	4	

JT 160062 REMKUIL RAM JT 160062
Ouerskap Vaar Moer
DNS
Genomies
MS 190014 MOUNTAIN SHADOWS EWE MS190014
OEL 15.8 ILP 267 OPI 115 Gelam 5 Lammers 9 Gespeen 7

K 130097 JABUWY RAM K 130097	JABUWY RAM K 110018
JT 140888 REMKUIL OOI JT 140888	JABUWY OOI K 100078 OEL 18.9 ILP 288 OPI - Gelam 4 Lammers 4 Gespeen 2
JP 170028 WELPIC RAM JP170028	RHENOSTERBOSRUG RAM AP 120128
GMO 150089 AVOCA OOI GMO150089	REMKUIL OOI JT 130430 OEL 15.8 ILP 333 OPI 126 Gelam 6 Lammers 10 Gespeen 9
	JOHANRI RAM JB 110054
	WELPIC EWE JP150026 OEL 22.5 ILP 365 OPI 104 Gelam 6 Lammers 12 Gespeen 10
	WELPIC RAM JP130015
	AVOCA EWE GMO140015 OEL 15.9 ILP 338 OPI 125 Gelam 8 Lammers 9 Gespeen 8

Groi			Reproduksie			
Spn. Dir.	Spn. Mat.	Na-Spn.	GLS	TWW	OEL	ILP
105	91	113	126	126	97	93
66%	67%	42%	49%	49%	47%	38%

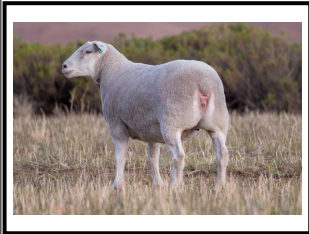


EBV Analise 2023-08-21

Logix Meriete Indeks	116
Groi Indeks	104
Reproduksie Indeks	119

VERKOPER OPMERKINGS: Dragtig met eenling van DZ 21 0129.

LOT 150 (F)



J.L. DU RANDT

Elliot, Eastern Cape
0848808920
juandurandt1@gmail.com



MS 200004

MOUNTAIN SHADOWS EWE MS200004

Kuddeboek	SP	
Geb. dtm	2020-03-16	
Oud.	3.5 jaar	
Inteling	5.69%	
Geb. Status	1	
OEL	ILP	OPI
16.2m	517d	103
Gelam	2	
Lammers	3	
Gespeen	3	

DZ 170149 DROERIVIER DIEZEL
Ouerskap Vaar Moer
DNS
Genomies
MS 180003 MOUNTAIN SHADOWS OOI MS 180003
OEL 13.2 ILP 257 OPI 104 Gelam 5 Lammers 6 Gespeen 6

DZ 140017 DROERIVIER RAM DZ 140017	DROERIVIER RAM DZ 110097
DZ 130051 DROERIVIER OOI DZ 130051 OEL 17.6 ILP 252 OPI 157 Gelam 8 Lammers 14 Gespeen 14	DROERIVIER OOI DZ 070257 OEL 23.7 ILP 296 OPI - Gelam 7 Lammers 12 Gespeen 12
JB 160100 JOHANRI RAM JB160100	LEEUEWKOP RAM J110208
GMO 110035 AVOCA EWE GMO 110035	DROERIVIER OOI DZ 110016 OEL 15.6 ILP 263 OPI 101 Gelam 4 Lammers 6 Gespeen 6
	JOHANRI RAM JB 140174
	JOHANRI OOI JB 120165 OEL 32.9 ILP 332 OPI 129 Gelam 7 Lammers 13 Gespeen 10
	WESTLEY RAM W 090182
	EVERSAR OOI CN040014 OEL 24 ILP 380 OPI 95 Gelam 7 Lammers 11 Gespeen 5

Groi			Reproduksie			
Spn. Dir.	Spn. Mat.	Na-Spn.	GLS	TWW	OEL	ILP
91	90	93	101	101	110	102
64%	63%	34%	47%	47%	43%	35%

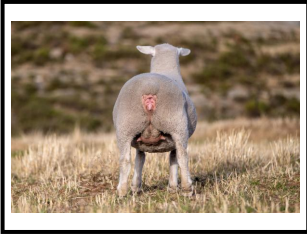


EBV Analise 2023-08-21

Logix Meriete Indeks	94
Groi Indeks	89
Reproduksie Indeks	99

VERKOPER OPMERKINGS: Loop by Doring J 20 0207. Ras Kampioen ram op Royal Show.

LOT 151 (F)



J.L. DU RANDT
Elliot, Eastern Cape
0848808920
juandurandt12@gmail.com

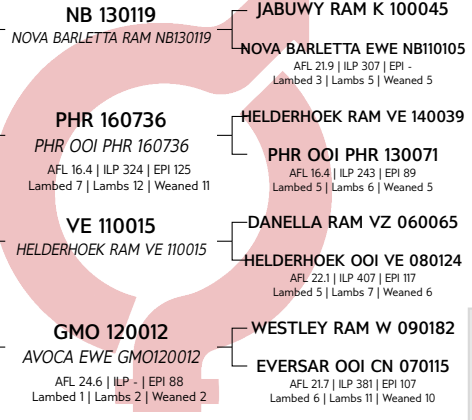
MS 200107

MOUNTAIN SHADOWS EWE MS200107



Herd Book	SP	
Birth date	2020-09-10	
Age	3 years	
Inbreeding	3.9%	
Birth Stat.	2	
AFL	ILP	EPI
25.4m	-	-
Lambled	1	
Lambs	2	
Weaned	0	

PHR 180319 PHR RAM PHR 180319
Parentage Sire Dam
DNA
Genomic
GMO 140019 AVOCA EWE GMO140019
AFL 16 ILP 297 EPI 155 Lambled 9 Lambs 10 Weaned 10



Growth			Reproduction			
Wn. Dir.	Wean Mat.	Post-Wn.	NLW	TWW	AFL	ILP
81	101	86	85	85	83	111
60%	53%	32%	42%	42%	42%	28%



EBV Analysis 2023-08-21

Logix Merit Index	77
Growth Index	85
Reproduction Index	83

SELLER REMARKS: Dragtig met tweeling van DZ 21 0129.

LOT 152 (F)



J.L. DU RANDT
Elliot, Eastern Cape
0848808920
juandurandt12@gmail.com

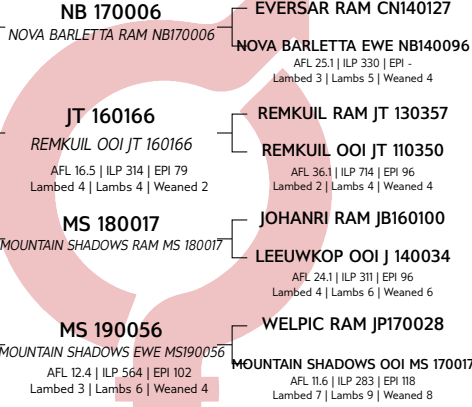
MS 220015

MOUNTAIN SHADOWS EWE MS220015



Herd Book	SP	
Birth date	2022-03-14	
Age	1.5 years	
Inbreeding	4.39%	
Birth Stat.	1	
AFL	ILP	EPI
-	-	-

JT 190228 REMKUIL RAM JT 190228
Parentage Sire Dam
DNA
Genomic
MS 200052 MOUNTAIN SHADOWS EWE MS200052
AFL 22.1 ILP 195 EPI 96 Lambled 2 Lambs 2 Weaned 1



Growth			Reproduction			
Wn. Dir.	Wean Mat.	Post-Wn.	NLW	TWW	AFL	ILP
108	100	106	106	106	99	109
58%	40%	33%	29%	29%	26%	22%



EBV Analysis 2023-08-21

Logix Merit Index	114
Growth Index	111
Reproduction Index	111

SELLER REMARKS: Dragtig met tweeling van Doring J 20 0207. Ras Kampioen ram op Royal Show.

LOT 153 (F)



J.L. DU RANDT
Elliot, Eastern Cape
0848808920
juandurandt12@gmail.com

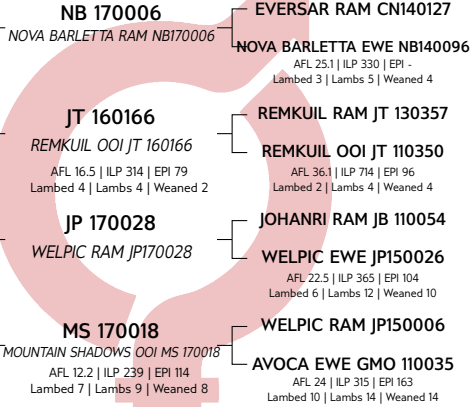
MS 220118

MOUNTAIN SHADOWS OOI MS 220118



Herd Book	SP	
Birth date	2022-08-10	
Age	1.1 years	
Inbreeding	4.49%	
Birth Stat.	1	
AFL	ILP	EPI
-	-	-

JT 190228 REMKUIL RAM JT 190228
Parentage Sire Dam
DNA
Genomic
MS 190038 MOUNTAIN SHADOWS EWE MS190038
AFL 16.9 ILP 228 EPI 118 Lambled 4 Lambs 5 Weaned 5



Growth			Reproduction			
Wn. Dir.	Wean Mat.	Post-Wn.	NLW	TWW	AFL	ILP
103	96	102	111	111	100	112
60%	45%	35%	34%	34%	30%	25%



EBV Analysis 2023-08-21

Logix Merit Index	111
Growth Index	104
Reproduction Index	112

SELLER REMARKS: Loop by Doring J 20 0207. Ras Kampioen ram op Royal Show.

LOT 154 (F)



J.L. DU RANDT

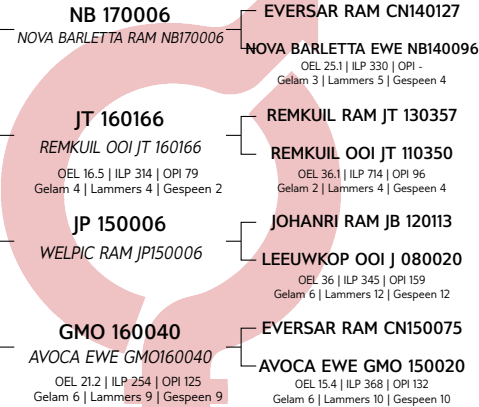
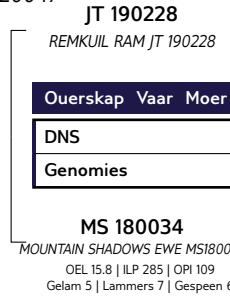
Elliot, Eastern Cape
0848808920
juandurandt12@gmail.com

MS 220047

MOUNTAIN SHADOWS EWE MS220047



Kuddeboek	SP	
Geb. dtm	2022-03-15	
Oud.	1.5 jaar	
Inteling	4.68%	
Geb. Status	1	
OEL	ILP	OPI
-	-	-



Groeï			Reproduksie			
Spn. Dir.	Spn. Mat.	Na-Spn.	GLS	TWW	OEL	ILP
101	101	100	100	100	99	105
61%	47%	35%	36%	36%	32%	25%



EBV Analise 2023-08-21

Logix Meriete Indeks	105
Groeï Indeks	105
Reproduksie Indeks	104

VERKOPER OPMERKINGS: Loop by Doring J 20 0207. Ras Kampioen ram op Royal Show.

LOT 155 (F)



J.L. DU RANDT

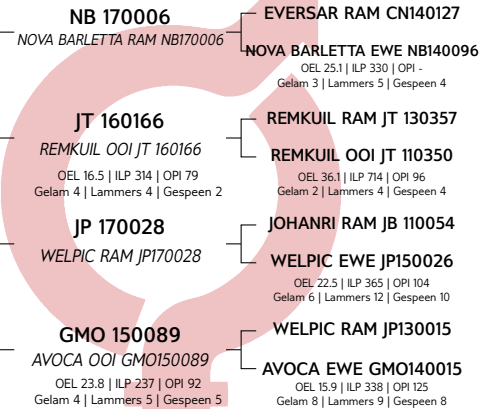
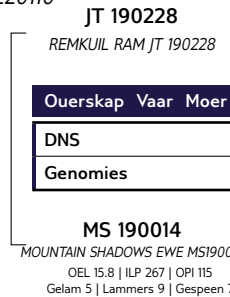
Elliot, Eastern Cape
0848808920
juandurandt12@gmail.com

MS 220110

MOUNTAIN SHADOWS OOI MS 220110



Kuddeboek	SP	
Geb. dtm	2022-08-08	
Oud.	1.1 jaar	
Inteling	4.59%	
Geb. Status	2	
OEL	ILP	OPI
-	-	-



Groeï			Reproduksie			
Spn. Dir.	Spn. Mat.	Na-Spn.	GLS	TWW	OEL	ILP
104	99	102	120	120	101	107
60%	46%	35%	34%	34%	30%	25%



EBV Analise 2023-08-21

Logix Meriete Indeks	117
Groeï Indeks	107
Reproduksie Indeks	122

VERKOPER OPMERKINGS: Loop by Doring J 20 0207. Ras Kampioen ram op Royal Show.

LOT 156 (F)



J.L. DU RANDT

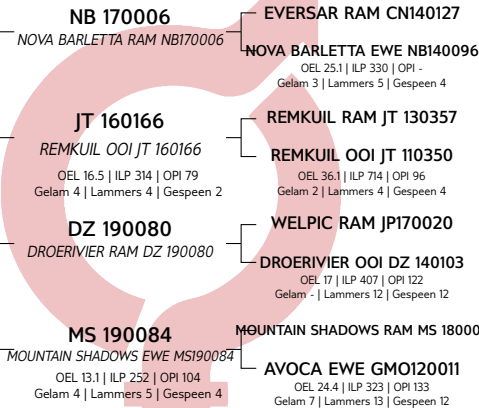
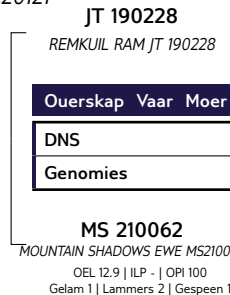
Elliot, Eastern Cape
0848808920
juandurandt12@gmail.com

MS 220121

MOUNTAIN SHADOWS OOI MS220121



Kuddeboek	SP	
Geb. dtm	2022-08-20	
Oud.	1 jaar	
Inteling	%	
Geb. Status	2	
OEL	ILP	OPI
-	-	-



Groeï			Reproduksie			
Spn. Dir.	Spn. Mat.	Na-Spn.	GLS	TWW	OEL	ILP
-	-	-	-	-	-	-
-%	-%	-%	-%	-%	-%	-%



EBV Analise 2023-08-21

Logix Meriete Indeks	-
Groeï Indeks	-
Reproduksie Indeks	-

VERKOPER OPMERKINGS: Dragtig met eenling van Doring J 20 0207. Ras Kampioen ram op Royal Show.

LOT 157 (F)



J.L. DU RANDT

Elliot, Eastern Cape
0848808920
juandurandt12@gmail.com

MS 220079

MOUNTAIN SHADOWS OOI MS 220079



Herd Book	SP
Birth date	2022-07-20
Age	1.1 years
Inbreeding	3.92%
Birth Stat.	1
AFL	ILP
-	-

JT 190228

REMKUIL RAM JT 190228

Parentage Sire Dam

DNA

Genomic

MS 190016

MOUNTAIN SHADOWS EWE MS190016
AFL 15.8 | ILP 267 | EPI 111
Lambled 4 | Lams 6 | Weaned 6

NB 170006

NOVA BARLETTA RAM NB170006

EVERSAR RAM CN140127

NOVA BARLETTA EWE NB140096
AFL 25.1 | ILP 330 | EPI -
Lambled 3 | Lams 5 | Weaned 4

JT 160166

REMKUIL OOI JT 160166
AFL 16.5 | ILP 314 | EPI 79
Lambled 2 | Lams 4 | Weaned 2

REMKUIL RAM JT 130357

REMKUIL OOI JT 110350
AFL 36.1 | ILP 714 | EPI 96
Lambled 2 | Lams 4 | Weaned 4

JP 170028

WELPIC RAM JP170028

JOHANRI RAM JB 110054

WELPIC EWE JP150026
AFL 22.5 | ILP 365 | EPI 104
Lambled 6 | Lams 12 | Weaned 10

GMO 120011

AVOCA EWE GMO120011
AFL 24.4 | ILP 323 | EPI 133
Lambled 7 | Lams 13 | Weaned 12

DANELLA RAM VZ 090228

DANELLA EWE VZ 090096
AFL 35.2 | ILP 373 | EPI 116
Lambled 4 | Lams 6 | Weaned 6

Growth			Reproduction			
Wn. Dir.	Wean Mat.	Post-Wn.	NLW	TWW	AFL	ILP
103	104	104	117	117	109	106
60%	46%	36%	35%	35%	32%	26%



EBV Analysis 2023-08-21

Logix Merit Index	118
Growth Index	107
Reproduction Index	124

SELLER REMARKS: Dragtig met eenling van DZ 21 0129.

LOT 158 (F)



J.L. DU RANDT

Elliot, Eastern Cape
0848808920
juandurandt12@gmail.com

MS 210040

MOUNTAIN SHADOWS OOI MS 210040



Herd Book	SP
Birth date	2021-05-05
Age	2.3 years
Inbreeding	9.22%
Birth Stat.	1
AFL	ILP
15.8m	-
Lambled	1
Lams	1
Weaned	0

DZ 190080

DROERIVIER RAM DZ 190080

Parentage Sire Dam

DNA

Genomic

MS 190016

MOUNTAIN SHADOWS EWE MS190016
AFL 15.8 | ILP 267 | EPI 111
Lambled 4 | Lams 6 | Weaned 6

JP 170020

WELPIC RAM JP170020

JOHANRI RAM JB 110054

WELPIC EWE JP150074
AFL 19.2 | ILP 367 | EPI -
Lambled 5 | Lams 9 | Weaned 9

DZ 140103

DROERIVIER OOI DZ 140103
AFL 17 | ILP 407 | EPI 122
Lambled - | Lams 12 | Weaned 12

DROERIVIER RAM DZ 110097

DROERIVIER OOI DZ 120294
AFL 22.6 | ILP - | EPI 69
Lambled 1 | Lams 1 | Weaned 1

JP 170028

WELPIC RAM JP170028

JOHANRI RAM JB 110054

WELPIC EWE JP150026
AFL 22.5 | ILP 365 | EPI 104
Lambled 6 | Lams 12 | Weaned 10

GMO 120011

AVOCA EWE GMO120011
AFL 24.4 | ILP 323 | EPI 133
Lambled 7 | Lams 13 | Weaned 12

DANELLA RAM VZ 090228

DANELLA EWE VZ 090096
AFL 35.2 | ILP 373 | EPI 116
Lambled 4 | Lams 6 | Weaned 6

Growth			Reproduction			
Wn. Dir.	Wean Mat.	Post-Wn.	NLW	TWW	AFL	ILP
92	95	95	115	115	105	106
59%	47%	27%	37%	37%	39%	27%



EBV Analysis 2023-08-21

Logix Merit Index	104
Growth Index	93
Reproduction Index	113

SELLER REMARKS: Dragtig met eenling van DZ 21 0129.

LOT 159 (F)



UMPUKANE DORMERS

Clocolan, Free State
peet@umpukane.co.za

PHR 200191

PHR OOI PHR 200191



Herd Book	SP
Birth date	2020-01-09
Age	3.6 years
Inbreeding	4.65%
Birth Stat.	2
AFL	ILP
20.4m	379d
Lambled	2
Lams	2
Weaned	2

CG 160020

KALKVLEY RAM CG160020

Parentage Sire Dam

DNA

Genomic

PHR 170363

PHR OOI PHR 170363
AFL 17.1 | ILP 256 | EPI 92
Lambled 2 | Lams 3 | Weaned 3

JB 140017

JOHANRI RAM JB 140017

JOHANRI RAM JB 130074 BARNARD

JOHANRI OOI JB 120159
AFL 20.7 | ILP 432 | EPI -
Lambled 4 | Lams 6 | Weaned 6

CG 130046

KALKVLEY OOI CG 130046
AFL 17.8 | ILP 420 | EPI 108
Lambled 5 | Lams 6 | Weaned 6

WINTERSHOEK RAM JJ 120042

WINTERSHOEK EWE JJ110030
AFL 24.3 | ILP 294 | EPI 162
Lambled 7 | Lams 8 | Weaned 8

GV 150032

VAN ROOYEN RAM GV 150032

HELDERHOEK RAM VE 130035

VAN ROOYEN OOI GV 130032
AFL 21.4 | ILP 294 | EPI 94
Lambled 2 | Lams 2 | Weaned 1

PHR 120063

PHR OOI PHR 120063
AFL 18.9 | ILP 322 | EPI 95
Lambled 5 | Lams 6 | Weaned 5

JABUWY RAM K 100045

PHR OOI PHR 100108
AFL - | ILP 231 | EPI 88
Lambled 2 | Lams 3 | Weaned 1

Growth			Reproduction			
Wn. Dir.	Wean Mat.	Post-Wn.	NLW	TWW	AFL	ILP
105	111	108	72	72	95	108
63%	62%	42%	49%	49%	44%	37%



EBV Analysis 2023-08-21

Logix Merit Index	98
Growth Index	114
Reproduction Index	87

SELLER REMARKS: Dragtig met tweeling van PHR 22 0068. Lam vanaf 26 September 2023.

LOT 160 (F)



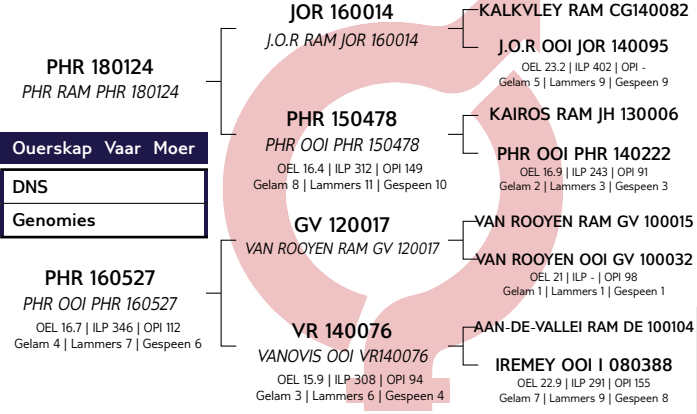
PHR 200215

PHR OOI PHR 200215

Kuddeboek	SP	
Geb. dtm	2020-01-13	
Oud.	3.6 jaar	
Inteling	4.41%	
Geb. Status	2	
OEL	ILP	OPI
20.2m	394d	111
Gelam	2	
Lammers	3	
Gespeen	3	

UMPUKANE DORMERS

Clocolan, Free State
peet@umpukane.co.za



Groeï			Reproduksie			
Spn. Dir.	Spn. Mat.	Na-Spn.	GLS	TWW	OEL	ILP
96	101	96	89	89	95	112
59%	59%	36%	41%	41%	35%	29%



EBV Analise 2023-08-21

Logix Meriete Indeks	95
Groeï Indeks	100
Reproduksie Indeks	93

VERKOPER OPMERKINGS: Dragtig met tweeling van PHR 22 0068. Lam vanaf 26 September 2023.

LOT 161 (F)



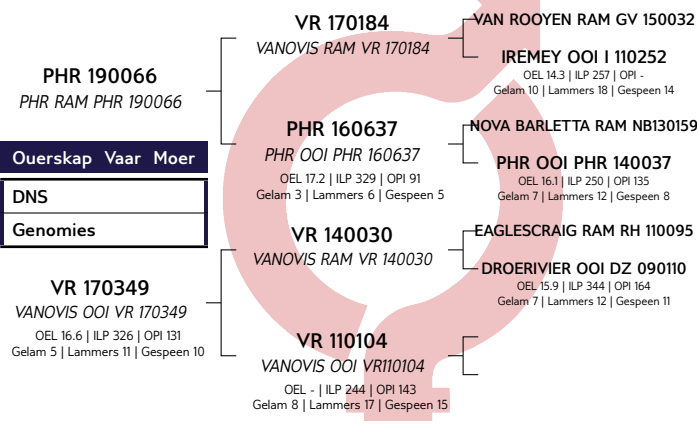
PHR 200397

PHR OOI PHR 200397

Kuddeboek	SP	
Geb. dtm	2020-09-27	
Oud.	2.9 jaar	
Inteling	6.48%	
Geb. Status	2	
OEL	ILP	OPI
24.8m	-	97
Gelam	1	
Lammers	2	
Gespeen	2	

UMPUKANE DORMERS

Clocolan, Free State
peet@umpukane.co.za



Groeï			Reproduksie			
Spn. Dir.	Spn. Mat.	Na-Spn.	GLS	TWW	OEL	ILP
97	96	93	113	113	106	101
62%	59%	40%	38%	38%	35%	22%



EBV Analise 2023-08-21

Logix Meriete Indeks	107
Groeï Indeks	98
Reproduksie Indeks	113

VERKOPER OPMERKINGS: Dragtig met drieling van PHR 22 0068. Lam vanaf 26 September 2023.

LOT 162 (F)



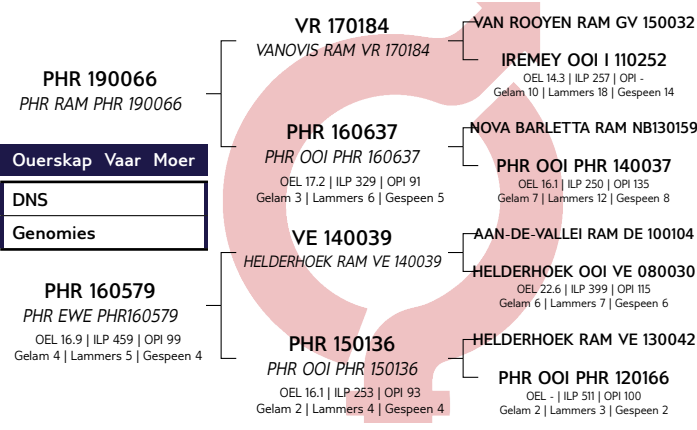
PHR 200400

PHR OOI PHR 200400

Kuddeboek	SP	
Geb. dtm	2020-09-27	
Oud.	2.9 jaar	
Inteling	5.21%	
Geb. Status	2	
OEL	ILP	OPI
25m	-	99
Gelam	1	
Lammers	2	
Gespeen	2	

UMPUKANE DORMERS

Clocolan, Free State
peet@umpukane.co.za



Groeï			Reproduksie			
Spn. Dir.	Spn. Mat.	Na-Spn.	GLS	TWW	OEL	ILP
103	85	97	100	100	102	82
62%	57%	42%	39%	39%	37%	24%



EBV Analise 2023-08-21

Logix Meriete Indeks	98
Groeï Indeks	99
Reproduksie Indeks	94

VERKOPER OPMERKINGS: Dragtig met tweeling van PHR 22 0056 Lam vanaf 26 September 2023.

LOT 163 (F)



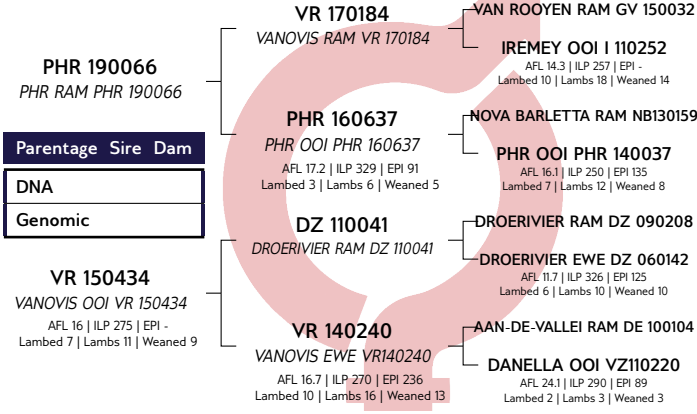
PHR 200426

PHR OOI PHR 200426

Herd Book	SP	
Birth date	2020-10-01	
Age	2.9 years	
Inbreeding	4.33%	
Birth Stat.	2	
AFL	ILP	EPI
24.2m	-	97
Lambled	1	
Lambs	2	
Weaned	2	

UMPUKANE DORMERS

Clocolan, Free State
peet@umpukane.co.za



Growth			Reproduction			
Wn. Dir.	Wean Mat.	Post-Wn.	NLW	TWW	AFL	ILP
100	86	99	95	95	124	107
63%	60%	43%	43%	43%	40%	27%



EBV Analysis 2023-08-21

Logix Merit Index	100
Growth Index	97
Reproduction Index	98

SELLER REMARKS: Dragtig met tweeling van PHR 22 0056. Lam vanaf 26 September 2023.

LOT 164 (F)



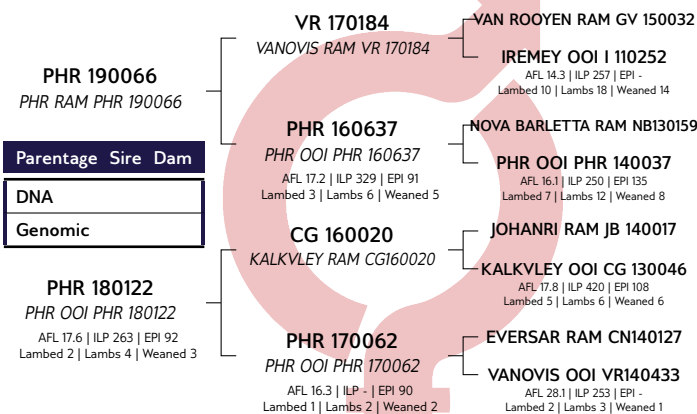
PHR 200429

PHR OOI PHR 200429

Herd Book	SP	
Birth date	2020-10-01	
Age	2.9 years	
Inbreeding	4.69%	
Birth Stat.	2	
AFL	ILP	EPI
24.5m	-	95
Lambled	1	
Lambs	1	
Weaned	1	

UMPUKANE DORMERS

Clocolan, Free State
peet@umpukane.co.za



Growth			Reproduction			
Wn. Dir.	Wean Mat.	Post-Wn.	NLW	TWW	AFL	ILP
108	91	105	90	90	107	101
60%	54%	37%	39%	39%	38%	25%



EBV Analysis 2023-08-21

Logix Merit Index	102
Growth Index	106
Reproduction Index	93

SELLER REMARKS: Dragtig met tweeling van PHR 22 0056. Lam vanaf 26 September 2023.

LOT 165 (F)



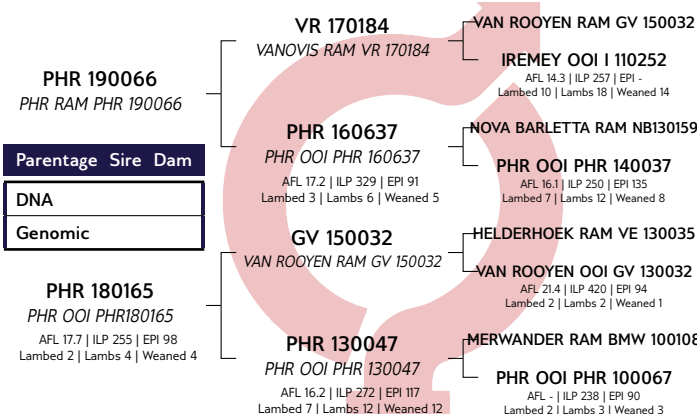
PHR 200451

PHR OOI PHR 200451

Herd Book	SP	
Birth date	2020-10-05	
Age	2.9 years	
Inbreeding	10.45%	
Birth Stat.	2	
AFL	ILP	EPI
23.9m	-	98
Lambled	1	
Lambs	2	
Weaned	2	

UMPUKANE DORMERS

Clocolan, Free State
peet@umpukane.co.za



Growth			Reproduction			
Wn. Dir.	Wean Mat.	Post-Wn.	NLW	TWW	AFL	ILP
107	84	100	103	103	104	94
61%	58%	40%	39%	39%	37%	24%



EBV Analysis 2023-08-21

Logix Merit Index	104
Growth Index	102
Reproduction Index	98

SELLER REMARKS: Dragtig met tweeling van PHR 22 0056. Lam vanaf 26 September 2023.

LOT 166 (F)



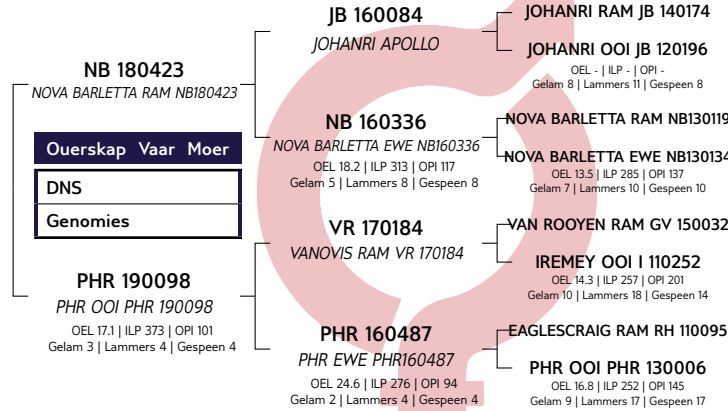
PHR 210178

PHR OOI PHR 210178

Kuddeboek	SP	
Geb. dtm	2021-09-21	
Oud.	1.9 jaar	
Inteling	4.18%	
Geb. Status	2	
OEL	ILP	OPI
-	-	-

UMPUKANE DORMERS

Clocolan, Free State
peet@umpukane.co.za



Groeï			Reproduksie			
Spn. Dir.	Spn. Mat.	Na-Spn.	GLS	TWW	OEL	ILP
95	109	96	83	83	93	106
61%	52%	37%	40%	40%	39%	29%



EBV Analise 2023-08-21

Logix Meriete Indeks	93
Groeï Indeks	102
Reproduksie Indeks	92

VERKOPER OPMERKINGS: Dragtig met tweeling van PHR 22 0068. Lam vanaf 26 September 2023.

LOT 167 (F)



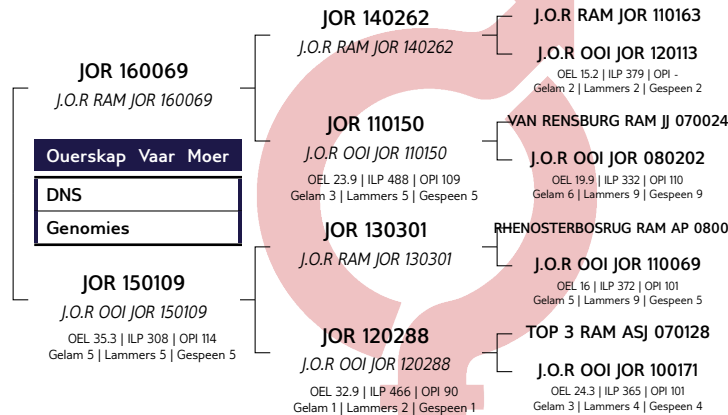
JOR 190025

J.O.R OOI JOR 190025

Kuddeboek	SP	
Geb. dtm	2019-02-14	
Oud.	4.5 jaar	
Inteling	8.11%	
Geb. Status	1	
OEL	ILP	OPI
30.6m	337d	106
Gelam	2	
Lammers	3	
Gespeen	3	

ABEL EN CHARLES JORDAAN

Cradock, Eastern Cape
0765206417
charlesj@ovk.co.za



Groeï			Reproduksie			
Spn. Dir.	Spn. Mat.	Na-Spn.	GLS	TWW	OEL	ILP
110	104	115	86	86	103	116
61%	60%	42%	43%	43%	36%	32%



EBV Analise 2023-08-21

Logix Meriete Indeks	108
Groeï Indeks	115
Reproduksie Indeks	99

VERKOPER OPMERKINGS: Dragtig met tweeling van ram JOR 21 00092. Verwagte lamdatums 01 Oktober tot 31 Oktober 2023.

LOT 168 (F)



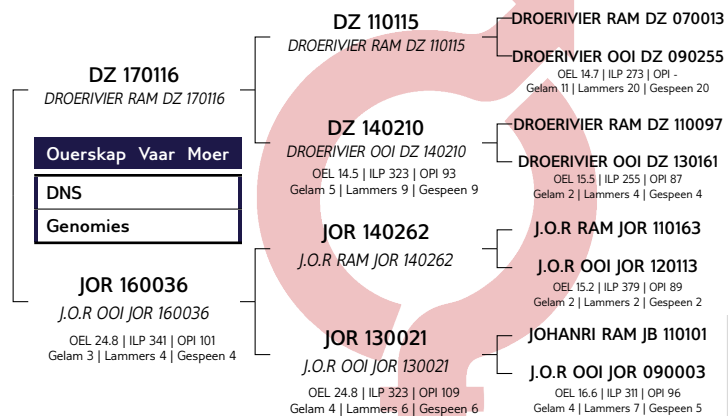
JOR 200020

J.O.R OOI JOR 200020

Kuddeboek	SP	
Geb. dtm	2020-03-20	
Oud.	3.5 jaar	
Inteling	4.53%	
Geb. Status	1	
OEL	ILP	OPI
17.6m	332d	124
Gelam	2	
Lammers	4	
Gespeen	4	

ABEL EN CHARLES JORDAAN

Cradock, Eastern Cape
0765206417
charlesj@ovk.co.za



Groeï			Reproduksie			
Spn. Dir.	Spn. Mat.	Na-Spn.	GLS	TWW	OEL	ILP
106	82	99	125	125	120	111
66%	67%	47%	51%	51%	48%	39%



EBV Analise 2023-08-21

Logix Meriete Indeks	119
Groeï Indeks	100
Reproduksie Indeks	122

VERKOPER OPMERKINGS: Dragtig met tweeling van ram JOR 21 00092. Verwagte lamdatums 01 Oktober tot 31 Oktober 2023.

LOT 169 (F)



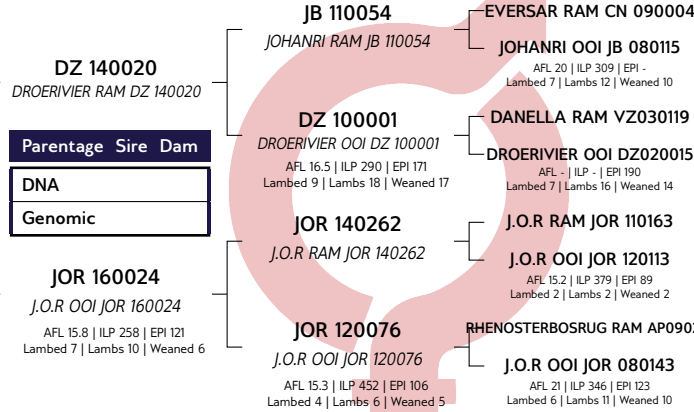
ABEL EN CHARLES JORDAAN

Cradock, Eastern Cape
0765206417
charlesj@ovk.co.za

JOR 200151

J.O.R EWE JOR200151

Herd Book		SP
Birth date		2020-08-18
Age		3 years
Inbreeding		4.37%
Birth Stat.		2
AFL	ILP	EPI
23.5m	-	105
Lambled		1
Lambs		2
Weaned		2



Growth			Reproduction			
Wn. Dir.	Wean Mat.	Post-Wn.	NLW	TWW	AFL	ILP
105	92	105	101	101	77	98
66%	66%	53%	55%	55%	53%	45%



EBV Analysis 2023-08-21

Logix Merit Index	100
Growth Index	104
Reproduction Index	93

SELLER REMARKS: Dragtig met eenling van ram JOR 21 00092. Verwagte lamdatums 01 Oktober tot 31 Oktober 2023.

LOT 170 (F)



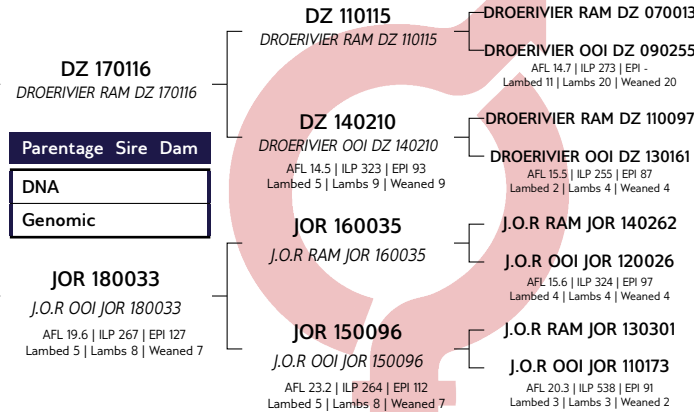
ABEL EN CHARLES JORDAAN

Cradock, Eastern Cape
0765206417
charlesj@ovk.co.za

JOR 200016

J.O.R OOI JOR 200016

Herd Book		SP
Birth date		2020-03-20
Age		3.5 years
Inbreeding		4.59%
Birth Stat.		2
AFL	ILP	EPI
17.1m	349d	106
Lambled		2
Lambs		2
Weaned		2



Growth			Reproduction			
Wn. Dir.	Wean Mat.	Post-Wn.	NLW	TWW	AFL	ILP
111	84	105	114	114	119	121
65%	64%	49%	52%	52%	48%	39%



EBV Analysis 2023-08-21

Logix Merit Index	119
Growth Index	106
Reproduction Index	116

SELLER REMARKS: Dragtig met eenling van ram JOR 21 00092. Verwagte lamdatums 01 Oktober tot 31 Oktober 2023.

LOT 171 (F)



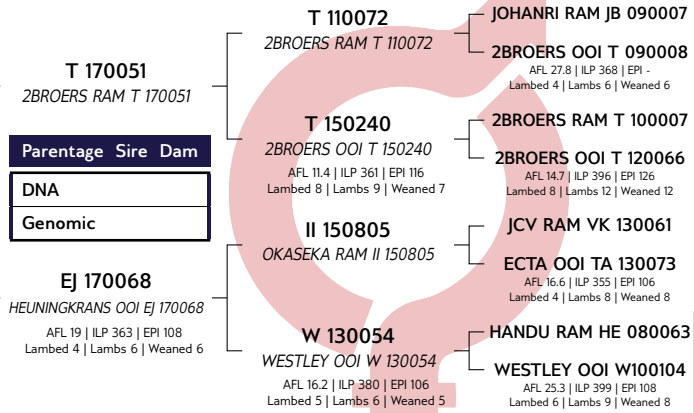
HEUNINGKRAMS

Smithfield, Free State
0832792677
heuningkrans@chisas.com

EJ 220016

HEUNINGKRAMS EWE EJ220016

Herd Book		SP
Birth date		2022-03-27
Age		1.4 years
Inbreeding		4.67%
Birth Stat.		2
AFL	ILP	EPI
-	-	-



Growth			Reproduction			
Wn. Dir.	Wean Mat.	Post-Wn.	NLW	TWW	AFL	ILP
103	102	101	89	89	95	92
60%	51%	24%	39%	39%	34%	27%



EBV Analysis 2023-08-21

Logix Merit Index	99
Growth Index	107
Reproduction Index	93

SELLER REMARKS: Dragtig van GV 21 0090.

LOT 172 (F)



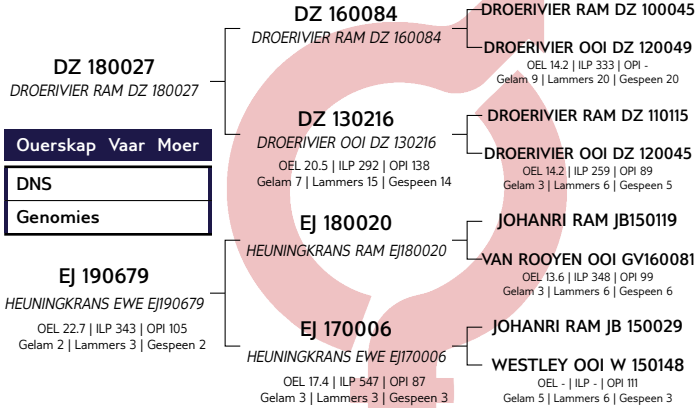
HEUNINGKRAMS
Smithfield, Free State
0832792677
heuningkrans@chisas.com

EJ 210043

HEUNINGKRAMS EWE EJ210043



Kuddeboek	SP	
Geb. dtm	2021-10-10	
Oud.	1.9 jaar	
Inteling	4.58%	
Geb. Status	2	
OEL	ILP	OPI
-	-	-



Groeï			Reproduksie			
Spn. Dir.	Spn. Mat.	Na-Spn.	GLS	TWW	OEL	ILP
99	98	98	93	93	95	111
59%	44%	25%	32%	32%	37%	27%



EBV Analise 2023-08-21

Logix Meriete Indeks	97
Groeï Indeks	101
Reproduksie Indeks	95

VERKOPER OPMERKINGS: Dragtig van GV 21 0090.

LOT 173 (F)



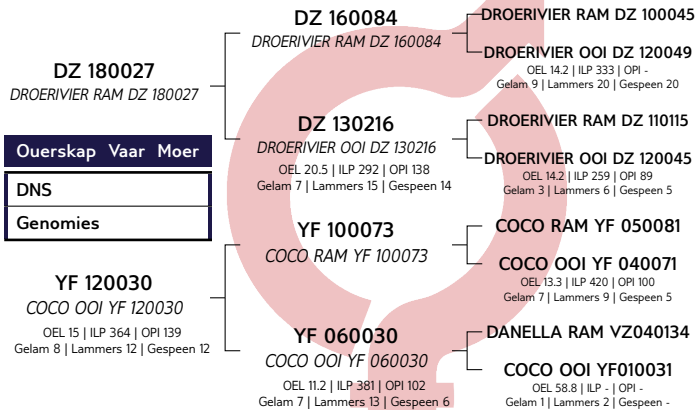
HEUNINGKRAMS
Smithfield, Free State
0832792677
heuningkrans@chisas.com

EJ 200025

HEUNINGKRAMS OOI EJ 200025



Kuddeboek	SP	
Geb. dtm	2020-10-11	
Oud.	2.9 jaar	
Inteling	3.99%	
Geb. Status	1	
OEL	ILP	OPI
12m	347d	102
Gelam	2	
Lammers	2	
Gespeen	1	



Groeï			Reproduksie			
Spn. Dir.	Spn. Mat.	Na-Spn.	GLS	TWW	OEL	ILP
102	100	100	86	86	92	112
63%	55%	28%	40%	40%	41%	31%



EBV Analise 2023-08-21

Logix Meriete Indeks	98
Groeï Indeks	106
Reproduksie Indeks	91

VERKOPER OPMERKINGS: Dragtig van GV 21 0090.

LOT 174 (F)



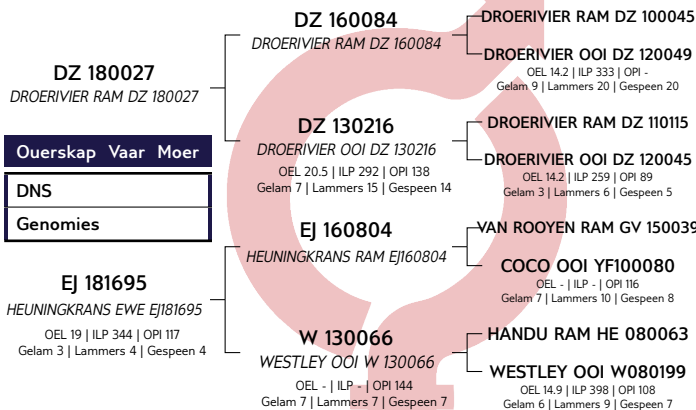
HEUNINGKRAMS
Smithfield, Free State
0832792677
heuningkrans@chisas.com

EJ 200036

HEUNINGKRAMS OOI EJ 200036



Kuddeboek	SP	
Geb. dtm	2020-10-13	
Oud.	2.9 jaar	
Inteling	4.4%	
Geb. Status	1	
OEL	ILP	OPI
11.9m	-	-
Gelam	1	
Lammers	1	
Gespeen	0	



Groeï			Reproduksie			
Spn. Dir.	Spn. Mat.	Na-Spn.	GLS	TWW	OEL	ILP
91	95	92	93	93	94	110
60%	47%	27%	35%	35%	41%	27%



EBV Analise 2023-08-21

Logix Meriete Indeks	89
Groeï Indeks	92
Reproduksie Indeks	91

VERKOPER OPMERKINGS: Dragtig van GV 21 0090.

LOT 175 (F)



HEUNINGKRAMS
Smithfield, Free State
0832792677
heuningkrans@chisas.com

EJ 210010

HEUNINGKRAMS EWE EJ210010



Herd Book	SP	
Birth date	2021-03-05	
Age	2.5 years	
Inbreeding	3.77%	
Birth Stat.	2	
AFL	ILP	EPI
-	-	-

T 190211	2BROERS RAM T190211
Parentage Sire Dam	
DNA	
Genomic	
EJ 180930	HEUNINGKRAMS EWE EJ180930
AFL 19.5 ILP 294 EPI 98	Lambded 4 Lambs 5 Weaned 3

T 180045	2BROERS RAM T180045	LEEUEWKOP RAM J 140025
T 150049	2BROERS OOI T 150049	2BROERS OOI T 140120
YF 160801	COCO RAM YF 160801 SEWENTIG	JOHANRI RAM JB 120113
W 100164	WESTLEY OOI W 100164	2BROERS EWE T120122
		AAN-DE-VALLEI RAM DE 100104
		COCO OOI YF150071
		COCO RAM YF 050081
		EASTRY OOI VW040130

Growth			Reproduction			
Wn. Dir.	Wean Mat.	Post-Wn.	NLW	TWW	AFL	ILP
107	113	102	95	95	105	114
58%	48%	30%	36%	36%	34%	28%



EBV Analysis 2023-08-21

Logix Merit Index	115
Growth Index	117
Reproduction Index	112

SELLER REMARKS: Dragtig van GV 21 0090.

LOT 176 (F)



HEUNINGKRAMS
Smithfield, Free State
0832792677
heuningkrans@chisas.com

EJ 220011

HEUNINGKRAMS EWE EJ220011



Herd Book	SP	
Birth date	2022-03-26	
Age	1.4 years	
Inbreeding	4.52%	
Birth Stat.	1	
AFL	ILP	EPI
-	-	-

T 170051	2BROERS RAM T 170051
Parentage Sire Dam	
DNA	
Genomic	
EJ 180938	HEUNINGKRAMS EWE EJ180938
AFL 19.5 ILP 297 EPI 112	Lambded 4 Lambs 5 Weaned 5

T 110072	2BROERS RAM T 110072	JOHANRI RAM JB 090007
T 150240	2BROERS OOI T 150240	2BROERS OOI T 090008
EJ 170001	HEUNINGKRAMS RAM EJ170001	2BROERS RAM T 100007
AP 150661	RHENOSTERBOSRUG OOI AP150661	2BROERS OOI T 120066
		JOHANRI RAM JB 150029
		WESTLEY OOI W 150045
		KINKO RAM JS 130001
		RHENOSTERBOSRUG OOI AP 130181

Growth			Reproduction			
Wn. Dir.	Wean Mat.	Post-Wn.	NLW	TWW	AFL	ILP
98	97	100	81	81	105	96
59%	50%	24%	38%	38%	33%	26%



EBV Analysis 2023-08-21

Logix Merit Index	91
Growth Index	100
Reproduction Index	86

SELLER REMARKS: Dragtig van GV 21 0090.

LOT 177 (F)



HEUNINGKRAMS
Smithfield, Free State
0832792677
heuningkrans@chisas.com

EJ 210011

HEUNINGKRAMS EWE EJ210011



Herd Book	SP	
Birth date	2021-03-05	
Age	2.5 years	
Inbreeding	5.72%	
Birth Stat.	2	
AFL	ILP	EPI
-	-	-

T 190211	2BROERS RAM T190211
Parentage Sire Dam	
DNA	
Genomic	
EJ 190016	HEUNINGKRAMS EWE EJ190016
AFL 23 ILP 219 EPI 96	Lambded 2 Lambs 3 Weaned 2

T 180045	2BROERS RAM T180045	LEEUEWKOP RAM J 140025
T 150049	2BROERS OOI T 150049	2BROERS OOI T 140120
T 170051	2BROERS RAM T 170051	JOHANRI RAM JB 120113
EJ 150799	HEUNINGKRAMS EWE EJ150799	2BROERS EWE T120122
		AAN-DE-VALLEI RAM DE 100104
		2BROERS RAM T 110072
		2BROERS OOI T 150240
		WESTLEY RAM W 110030
		WESTLEY OOI W 130066

Growth			Reproduction			
Wn. Dir.	Wean Mat.	Post-Wn.	NLW	TWW	AFL	ILP
108	113	102	95	95	110	96
58%	47%	26%	35%	35%	33%	26%



EBV Analysis 2023-08-21

Logix Merit Index	115
Growth Index	118
Reproduction Index	112

SELLER REMARKS: Dragtig van GV 21 0090.

LOT 178 (F)



HEUNINGKRAMS
Smithfield, Free State
0832792677
heuningkrans@chisas.com

EJ 210030

HEUNINGKRAMS EWE EJ210030



Kuddeboek	SP	
Geb. dtm	2021-03-06	
Oud.	2.5 jaar	
Inteling	4.31%	
Geb. Status	1	
OEL	ILP	OPI
18.6m	-	100
Gelam	1	
Lammers	1	
Gespeen	1	

T 190211	2BROERS RAM T190211
Ouerskap Vaar Moer	
DNS	
Genomies	
EJ 170678	HEUNINGKRAMS OOI EJ170678
OEL 10 ILP 437 OPI 102	Gelam 4 Lammers 4 Gespeen 4

T 180045	2BROERS RAM T180045	LEEUEWKOP RAM J 140025
OEL 22.9 ILP 360 OPI -	Gelam 8 Lammers 18 Gespeen 16	
T 150049	2BROERS OOI T 150049	2BROERS OOI T 140120
OEL 14.1 ILP 354 OPI 131	Gelam 8 Lammers 11 Gespeen 9	OEL 22.9 ILP 360 OPI - Gelam 8 Lammers 18 Gespeen 16
II 150805	OKASEKA RAM II 150805	JOHANRI RAM JB 120113
		OEL 23.2 ILP 358 OPI 142 Gelam 8 Lammers 14 Gespeen 14
YF 130301	COCO OOI YF 130301	JCV RAM VK 130061
OEL 11.9 ILP 334 OPI 112	Gelam 7 Lammers 12 Gespeen 12	ECTA OOI TA 130073
		OEL 16.6 ILP 355 OPI 106 Gelam 4 Lammers 8 Gespeen 8
		HANDU RAM HE 080063
		OEL 26.1 ILP 352 OPI 100 Gelam 5 Lammers 8 Gespeen 8

Groeï			Reproduksie			
Spn. Dir.	Spn. Mat.	Na-Spn.	GLS	TWW	OEL	ILP
104	117	100	87	87	106	108
60%	54%	28%	40%	40%	31%	27%



EBV Analise 2023-08-21

Logix Meriete Indeks	109
Groeï Indeks	115
Reproduksie Indeks	106

VERKOPER OPMERKINGS: Dragtig van GV 21 0090.

LOT 179 (F)



HEUNINGKRAMS
Smithfield, Free State
0832792677
heuningkrans@chisas.com

EJ 200843

HEUNINGKRAMS EWE EJ200843



Kuddeboek	SP	
Geb. dtm	2020-04-10	
Oud.	3.4 jaar	
Inteling	4.06%	
Geb. Status	2	
OEL	ILP	OPI
18m	-	-
Gelam	1	
Lammers	1	
Gespeen	0	

DZ 180027	DROERIVIER RAM DZ 180027
Ouerskap Vaar Moer	
DNS	
Genomies	
EJ 160808	HEUNINGKRAMS EWE EJ160808
OEL 21.4 ILP 387 OPI 116	Gelam 5 Lammers 7 Gespeen 6

DZ 160084	DROERIVIER RAM DZ 160084	DROERIVIER RAM DZ 100045
OEL 14.2 ILP 333 OPI -	Gelam 9 Lammers 20 Gespeen 20	DROERIVIER OOI DZ 120049
DZ 130216	DROERIVIER OOI DZ 130216	OEL 14.2 ILP 333 OPI - Gelam 9 Lammers 20 Gespeen 20
OEL 20.5 ILP 292 OPI 138	Gelam 7 Lammers 15 Gespeen 14	DROERIVIER RAM DZ 110115
GV 150039	VAN ROOYEN RAM GV 150039	DROERIVIER OOI DZ 120045
		OEL 14.2 ILP 259 OPI 89 Gelam 3 Lammers 6 Gespeen 5
W 090161	WESTLEY OOI W 090161	HELDERHOEK RAM VE 130022
OEL 17.2 ILP 330 OPI 266	Gelam 9 Lammers 14 Gespeen 14	VAN ROOYEN OOI GV 110030
		OEL 34.5 ILP 419 OPI 99 Gelam 3 Lammers 4 Gespeen 4
		DORLOU RAM L020228
		MELRI OOI KL 070003
		OEL 26.1 ILP - OPI 102 Gelam 1 Lammers 2 Gespeen 2

Groeï			Reproduksie			
Spn. Dir.	Spn. Mat.	Na-Spn.	GLS	TWW	OEL	ILP
98	91	96	89	89	96	109
60%	48%	28%	35%	35%	41%	26%



EBV Analise 2023-08-21

Logix Meriete Indeks	92
Groeï Indeks	97
Reproduksie Indeks	87

VERKOPER OPMERKINGS: Dragtig van GV 21 0090.

LOT 180 (F)



WELPIC DORMERS
Lady Grey, Eastern Cape
0827491314
welpicdormers@gmail.com

JP 220167

WELPIC EWE JP220167



Kuddeboek	SP	
Geb. dtm	2022-04-13	
Oud.	1.4 jaar	
Inteling	6.48%	
Geb. Status	2	
OEL	ILP	OPI
-	-	-

JB 180008	JOHANRI RAM JB180008
Ouerskap Vaar Moer	
DNS	
Genomies	
JP 180063	WELPIC EWE JP180063
OEL 26.6 ILP 342 OPI 129	Gelam 4 Lammers 7 Gespeen 7

JT 160062	REMKUIL RAM JT 160062	JABUWY RAM K 130097
OEL 19.7 ILP 364 OPI -	Gelam 3 Lammers 4 Gespeen 4	REMKUIL OOI JT 140888
JB 170005	JOHANRI EWE JB170005	OEL 19.7 ILP 364 OPI - Gelam 3 Lammers 4 Gespeen 4
OEL 15.6 ILP 361 OPI 127	Gelam 5 Lammers 11 Gespeen 11	LEEUEWKOP RAM J150133
JB 120113	JOHANRI RAM JB 120113	JOHANRI OOI JB 120026
OEL 15.6 ILP 361 OPI 127	Gelam 5 Lammers 11 Gespeen 11	OEL 24.2 ILP 371 OPI 85 Gelam 4 Lammers 5 Gespeen 5
JP 160054	WELPIC EWE JP160054	JOHANRI RAM JB 110087
OEL 20.9 ILP 362 OPI 129	Gelam 5 Lammers 11 Gespeen 11	LEEUEWKOP OOI J 060132
		OEL 24.3 ILP 452 OPI 120 Gelam 4 Lammers 8 Gespeen 7
		JOHANRI RAM JB 110054
		WELPIC EWE JP140012
		OEL 14 ILP 358 OPI 104 Gelam 3 Lammers 5 Gespeen 4

Groeï			Reproduksie			
Spn. Dir.	Spn. Mat.	Na-Spn.	GLS	TWW	OEL	ILP
118	85	119	113	113	97	99
63%	55%	41%	41%	41%	39%	31%



EBV Analise 2023-08-21

Logix Meriete Indeks	117
Groeï Indeks	113
Reproduksie Indeks	107

VERKOPER OPMERKINGS: Dragtig met eenling. Enting: Bloutong A,B,C. Ensoetiese Aborsie.

LOT 181 (F)



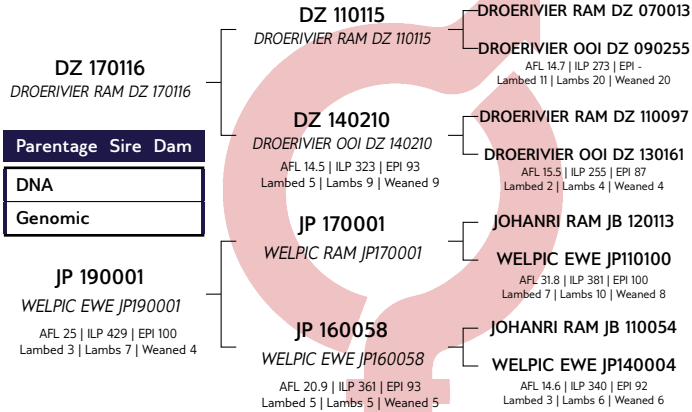
JP 220182

WELPIC EWE JP220182

Herd Book	SP	
Birth date	2022-04-13	
Age	1.4 years	
Inbreeding	4.9%	
Birth Stat.	3	
AFL	ILP	EPI
-	-	-

WELPIC DORMERS

Lady Grey, Eastern Cape
0827491314
welpicdormers@gmail.com



Growth			Reproduction			
Wn. Dir.	Wean Mat.	Post-Wn.	NLW	TWW	AFL	ILP
104	78	97	112	112	119	99
63%	57%	45%	47%	47%	46%	37%



EBV Analysis 2023-08-21

Logix Merit Index	108
Growth Index	97
Reproduction Index	107

SELLER REMARKS: Dragtig met eenling. Enting: Bloutong A,B,C. Ensoetiese Aborsie.

LOT 182 (F)



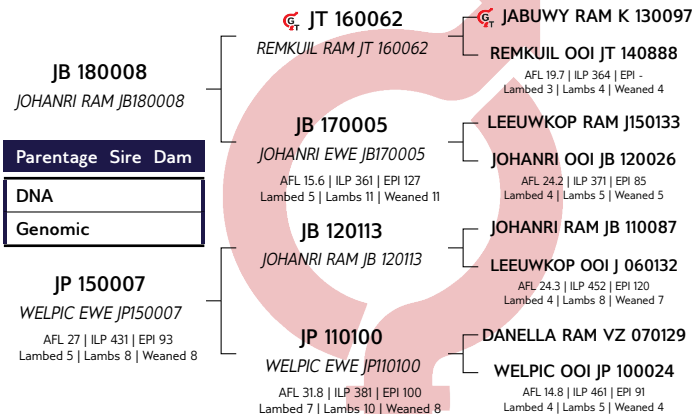
JP 220052

WELPIC EWE JP220052

Herd Book	SP	
Birth date	2022-04-07	
Age	1.4 years	
Inbreeding	4.56%	
Birth Stat.	2	
AFL	ILP	EPI
-	-	-

WELPIC DORMERS

Lady Grey, Eastern Cape
0827491314
welpicdormers@gmail.com



Growth			Reproduction			
Wn. Dir.	Wean Mat.	Post-Wn.	NLW	TWW	AFL	ILP
111	87	114	112	112	107	94
64%	55%	41%	42%	42%	39%	30%



EBV Analysis 2023-08-21

Logix Merit Index	114
Growth Index	108
Reproduction Index	109

SELLER REMARKS: Dragtig met eenling. Enting: Bloutong A,B,C. Ensoetiese Aborsie.

LOT 183 (F)



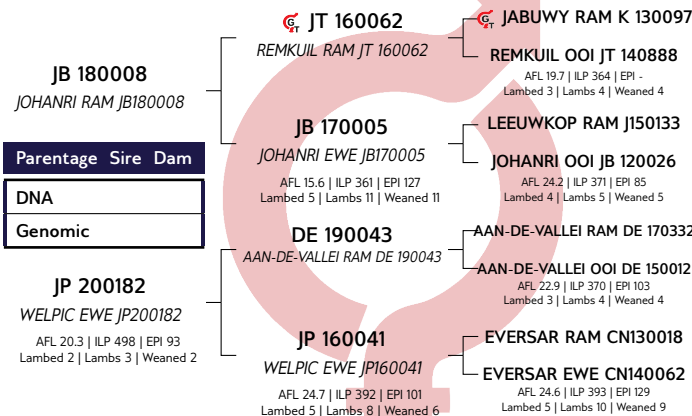
JP 220093

WELPIC EWE JP220093

Herd Book	SP	
Birth date	2022-04-10	
Age	1.4 years	
Inbreeding	4.69%	
Birth Stat.	2	
AFL	ILP	EPI
-	-	-

WELPIC DORMERS

Lady Grey, Eastern Cape
0827491314
welpicdormers@gmail.com



Growth			Reproduction			
Wn. Dir.	Wean Mat.	Post-Wn.	NLW	TWW	AFL	ILP
119	79	122	102	102	118	84
62%	51%	39%	35%	35%	36%	24%



EBV Analysis 2023-08-21

Logix Merit Index	113
Growth Index	112
Reproduction Index	100

SELLER REMARKS: Dragtig met eenling. Enting: Bloutong A,B,C. Ensoetiese Aborsie.

LOT 184 (F)

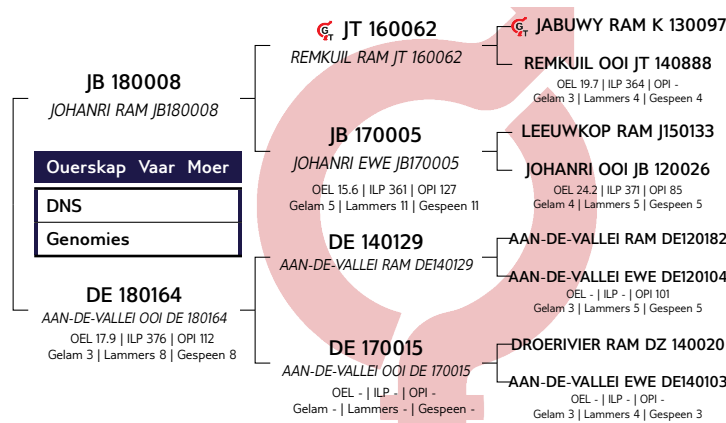


WELPIC DORMERS
Lady Grey, Eastern Cape
0827491314
welpicdormers@gmail.com

JP 220195

WELPIC EWE JP220195

Kuddeboek	SP	
Geb. dtm	2022-04-13	
Oud.	1.4 jaar	
Inteling	5.29%	
Geb. Status	3	
OEL	ILP	OPI
-	-	-



Groeï			Reproduksie			
Spn. Dir.	Spn. Mat.	Na-Spn.	GLS	TWW	OEL	ILP
115	90	119	116	116	91	96
59%	54%	41%	38%	38%	36%	27%



EBV Analise 2023-08-21

Logix Meriete Indeks	118
Groeï Indeks	113
Reproduksie Indeks	110

VERKOPER OPMERKINGS: Dragtig met tweeling. Enting: Bloutong A,B,C. Ensoetiese Aborsie.

LOT 185 (F)

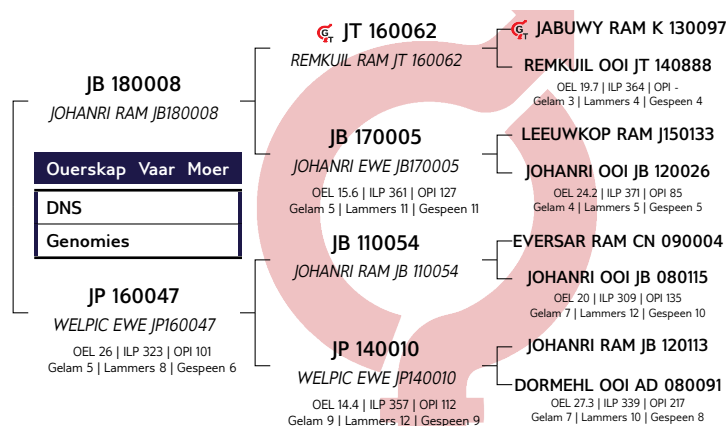


WELPIC DORMERS
Lady Grey, Eastern Cape
0827491314
welpicdormers@gmail.com

JP 220159

WELPIC EWE JP220159

Kuddeboek	SP	
Geb. dtm	2022-04-10	
Oud.	1.4 jaar	
Inteling	7.75%	
Geb. Status	2	
OEL	ILP	OPI
-	-	-



Groeï			Reproduksie			
Spn. Dir.	Spn. Mat.	Na-Spn.	GLS	TWW	OEL	ILP
110	79	113	107	107	95	94
63%	54%	43%	41%	41%	40%	31%



EBV Analise 2023-08-21

Logix Meriete Indeks	104
Groeï Indeks	103
Reproduksie Indeks	96

VERKOPER OPMERKINGS: Dragtig met eenling. Enting: Bloutong A,B,C. Ensoetiese Aborsie.

LOT 186 (F)

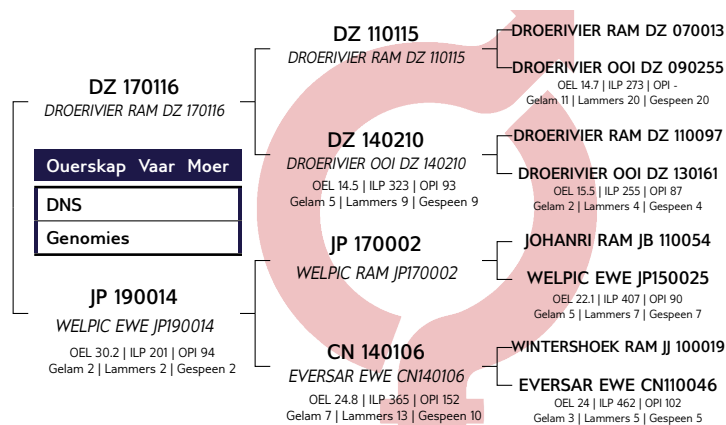


WELPIC DORMERS
Lady Grey, Eastern Cape
0827491314
welpicdormers@gmail.com

JP 220158

WELPIC EWE JP220158

Kuddeboek	SP	
Geb. dtm	2022-04-10	
Oud.	1.4 jaar	
Inteling	5.31%	
Geb. Status	1	
OEL	ILP	OPI
-	-	-



Groeï			Reproduksie			
Spn. Dir.	Spn. Mat.	Na-Spn.	GLS	TWW	OEL	ILP
108	84	101	104	104	115	102
62%	56%	46%	46%	46%	45%	36%



EBV Analise 2023-08-21

Logix Meriete Indeks	109
Groeï Indeks	103
Reproduksie Indeks	103

VERKOPER OPMERKINGS: Dragtig met eenling. Enting: Bloutong A,B,C. Ensoetiese Aborsie.

LOT 187 (F)



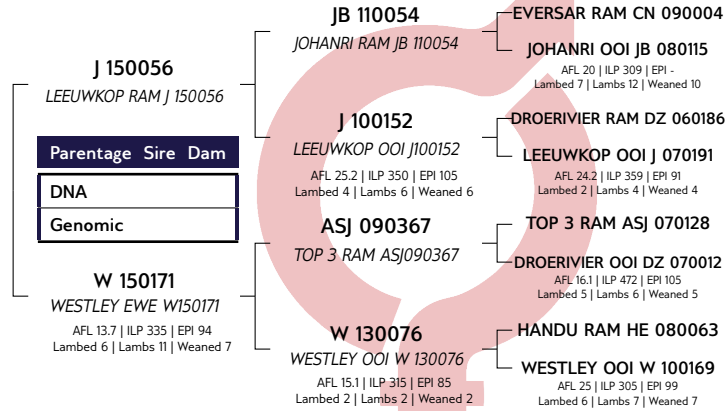
WESTMAR DORMERS
 Petrusburg, Free State
 0714711827
 willie.est@gmail.com



W 190009

WM EWE W190009

Herd Book	SP	
Birth date	2019-07-18	
Age	4.1 years	
Inbreeding	5.77%	
Birth Stat.	2	
AFL	ILP	EPI
11.5m	393d	112
Lambled	3	
Lambs	5	
Weaned	5	



Growth			Reproduction			
Wn. Dir.	Wean Mat.	Post-Wn.	NLW	TWW	AFL	ILP
83	114	88	109	109	124	94
67%	69%	37%	51%	51%	44%	35%

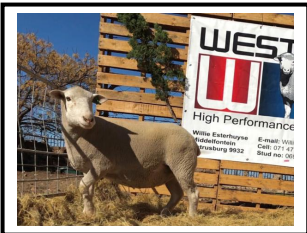


EBV Analysis 2023-08-21

Logix Merit Index	103
Growth Index	93
Reproduction Index	123

SELLER REMARKS: Dragtig met tweeling van W 170093. Enting: Slendal, Bloutong A,B,C en Multivax P Plus.

LOT 188 (F)



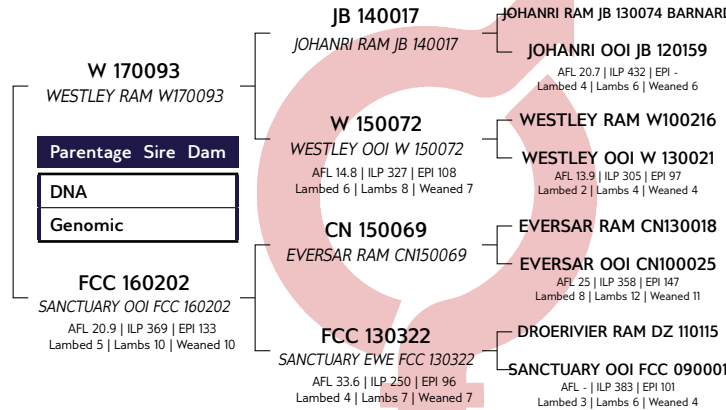
WESTMAR DORMERS
 Petrusburg, Free State
 0714711827
 willie.est@gmail.com



W 200008

WM EWE W200008

Herd Book	SP	
Birth date	2020-07-02	
Age	3.2 years	
Inbreeding	5.31%	
Birth Stat.	2	
AFL	ILP	EPI
12.5m	-	95
Lambled	1	
Lambs	1	
Weaned	1	



Growth			Reproduction			
Wn. Dir.	Wean Mat.	Post-Wn.	NLW	TWW	AFL	ILP
94	129	97	98	98	98	98
63%	58%	36%	44%	44%	41%	30%



EBV Analysis 2023-08-21

Logix Merit Index	108
Growth Index	111
Reproduction Index	118

SELLER REMARKS: Dragtig met tweeling van MS 20 0117. Enting: Slendal, Bloutong A,B,C en Multivax P Plus.

LOT 189 (F)



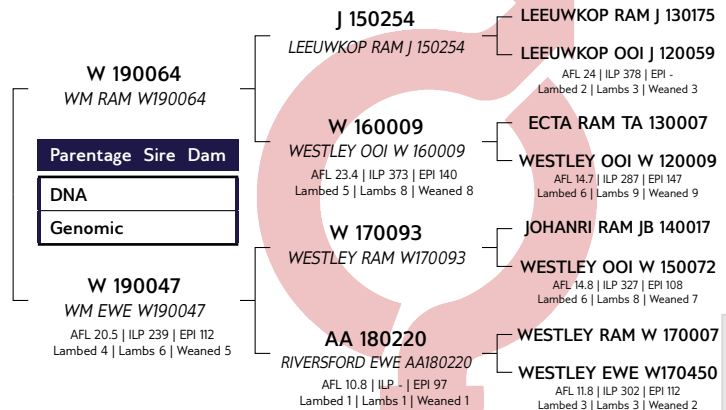
WESTMAR DORMERS
 Petrusburg, Free State
 0714711827
 willie.est@gmail.com



W 210032

WM OOI W210032

Herd Book	SP	
Birth date	2021-06-17	
Age	2.2 years	
Inbreeding	6.17%	
Birth Stat.	2	
AFL	ILP	EPI
15.3m	-	99
Lambled	1	
Lambs	2	
Weaned	2	



Growth			Reproduction			
Wn. Dir.	Wean Mat.	Post-Wn.	NLW	TWW	AFL	ILP
100	97	99	113	113	92	101
57%	55%	22%	36%	36%	34%	23%



EBV Analysis 2023-08-21

Logix Merit Index	107
Growth Index	102
Reproduction Index	109

SELLER REMARKS: Dragtig met eenling van W 17 0093. Enting: Slendal, Bloutong A,B,C en Multivax P Plus.

LOT 190 (F)

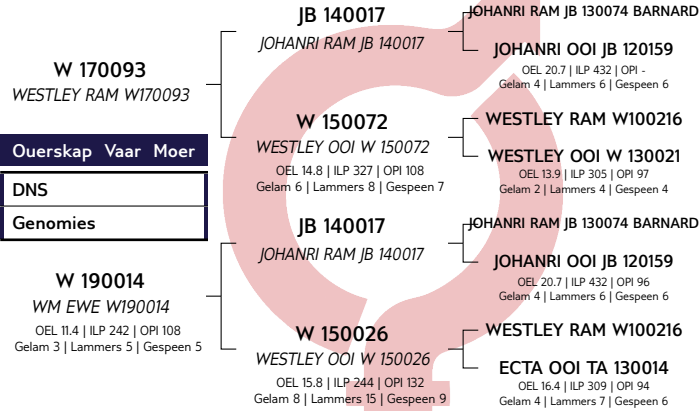


WESTMAR DORMERS
 Petrusburg, Free State
 0714711827
 willie.est@gmail.com

W 210150

WM OOI W210150

Kuddeboek	SP	
Geb. dtm	2021-10-26	
Oud.	1.9 jaar	
Inteling	20.17%	
Geb. Status	3	
OEL	ILP	OPI
19.2m	-	-
Gelam	1	
Lammers	1	
Gespeen	0	



Groi			Reproduksie			
Spn. Dir.	Spn. Mat.	Na-Spn.	GLS	TWW	OEL	ILP
101	111	104	99	99	88	105
55%	52%	29%	41%	41%	36%	29%



EBV Analise 2023-08-21

Logix Meriete Indeks	106
Groi Indeks	109
Reproduksie Indeks	106

VERKOPER OPMERKINGS: Met ramlam W 23 0016. Vaar JB 18 0054. Enting: Slendal, Bloutong A,B,C en Multivax P Plus.

LOT 191 (F)

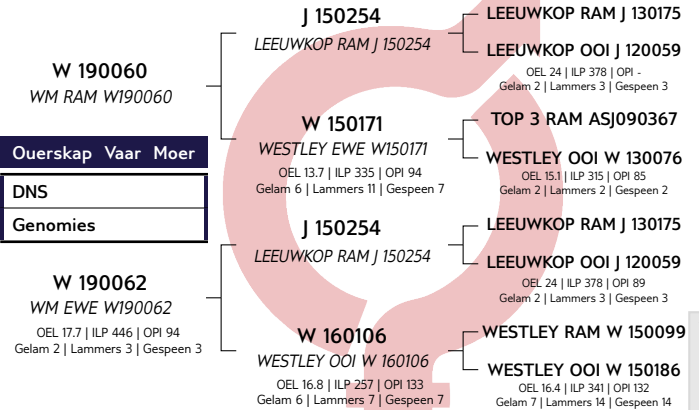


WESTMAR DORMERS
 Petrusburg, Free State
 0714711827
 willie.est@gmail.com

W 210040

WM EWE W210040

Kuddeboek	SP	
Geb. dtm	2021-06-19	
Oud.	2.2 jaar	
Inteling	18.68%	
Geb. Status	1	
OEL	ILP	OPI
17.4m	-	96
Gelam	1	
Lammers	1	
Gespeen	1	



Groi			Reproduksie			
Spn. Dir.	Spn. Mat.	Na-Spn.	GLS	TWW	OEL	ILP
98	87	98	117	117	82	103
60%	47%	24%	36%	36%	31%	26%



EBV Analise 2023-08-21

Logix Meriete Indeks	102
Groi Indeks	95
Reproduksie Indeks	104

VERKOPER OPMERKINGS: Dragtig met eenling van W 17 0093. Enting: Slendal, Bloutong A,B,C en Multivax P Plus.

LOT 192 (F)

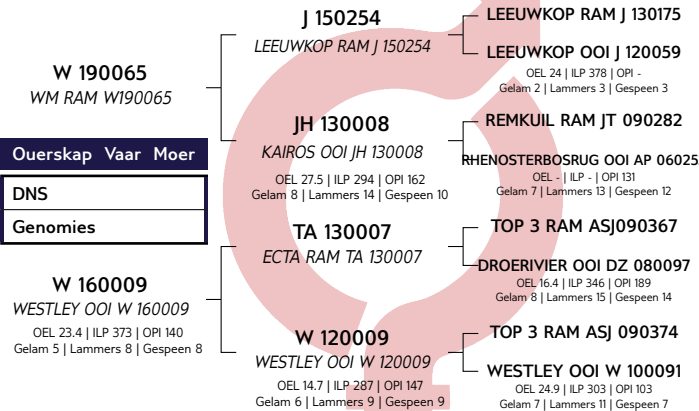


WESTMAR DORMERS
 Petrusburg, Free State
 0714711827
 willie.est@gmail.com

W 210027

WM OOI W210027

Kuddeboek	SP	
Geb. dtm	2021-06-17	
Oud.	2.2 jaar	
Inteling	4.16%	
Geb. Status	2	
OEL	ILP	OPI
15.4m	-	95
Gelam	1	
Lammers	1	
Gespeen	1	



Groi			Reproduksie			
Spn. Dir.	Spn. Mat.	Na-Spn.	GLS	TWW	OEL	ILP
96	91	97	106	106	90	110
58%	53%	29%	39%	39%	37%	26%



EBV Analise 2023-08-21

Logix Meriete Indeks	98
Groi Indeks	95
Reproduksie Indeks	100

VERKOPER OPMERKINGS: Dragtig met eenling van W 17 0093. Enting: Slendal, Bloutong A,B,C en Multivax P Plus.

LOT 193 (F)



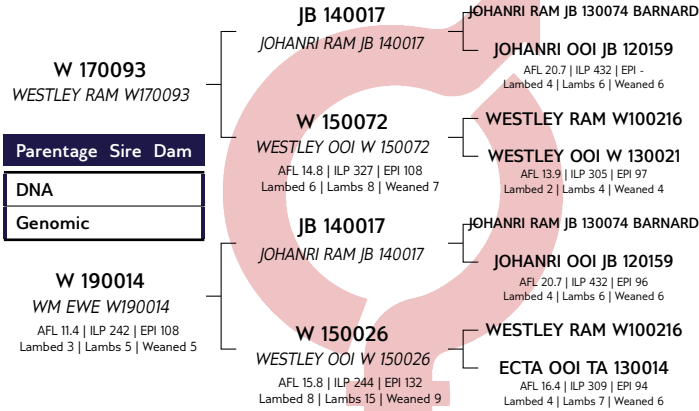
WESTMAR DORMERS
 Petrusburg, Free State
 0714711827
 willie.est@gmail.com



W 200003

WM EWE W200003

Herd Book	SP	
Birth date	2020-06-29	
Age	3.2 years	
Inbreeding	20.17%	
Birth Stat.	1	
AFL	ILP	EPI
22.8m	-	99
Lambled	1	
Lambs	2	
Weaned	2	



Growth			Reproduction			
Wn. Dir.	Wean Mat.	Post-Wn.	NLW	TWW	AFL	ILP
100	115	104	97	97	88	105
62%	60%	29%	44%	44%	41%	29%



EBV Analysis 2023-08-21

Logix Merit Index	106
Growth Index	111
Reproduction Index	107

SELLER REMARKS: Dragtig met eenling van MS 20 0117. Enting: Slendal, Bloutong A,B,C en Multivax P Plus.

LOT 194 (F)



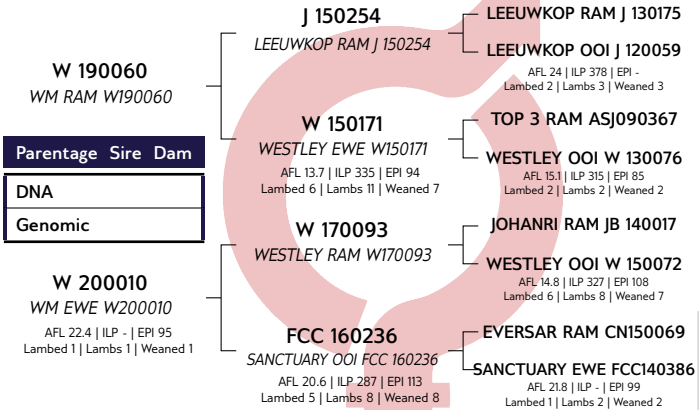
WESTMAR DORMERS
 Petrusburg, Free State
 0714711827
 willie.est@gmail.com



W 220031

WM OOI W 220031

Herd Book	SP	
Birth date	2022-05-17	
Age	1.3 years	
Inbreeding	5.05%	
Birth Stat.	1	
AFL	ILP	EPI
-	-	-



Growth			Reproduction			
Wn. Dir.	Wean Mat.	Post-Wn.	NLW	TWW	AFL	ILP
102	111	104	105	105	94	101
60%	45%	25%	34%	34%	32%	24%



EBV Analysis 2023-08-21

Logix Merit Index	111
Growth Index	110
Reproduction Index	112

SELLER REMARKS: Dragtig met tweeling van MS 20 0117. Enting: Slendal, Bloutong A,B,C en Multivax P Plus.

LOT 195 (F)



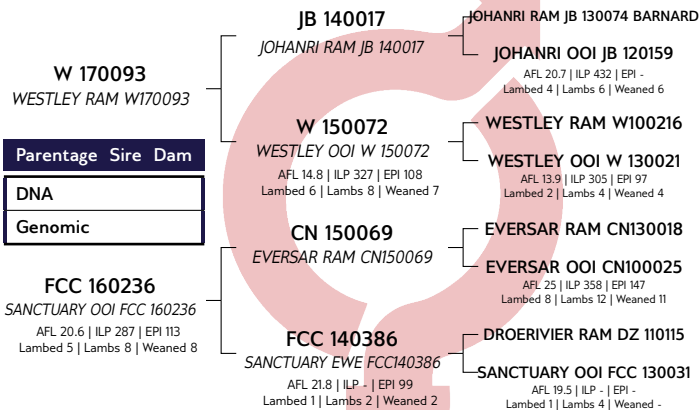
WESTMAR DORMERS
 Petrusburg, Free State
 0714711827
 willie.est@gmail.com



W 200009

WM EWE W200009

Herd Book	SP	
Birth date	2020-07-05	
Age	3.2 years	
Inbreeding	5.45%	
Birth Stat.	2	
AFL	ILP	EPI
22.6m	-	99
Lambled	1	
Lambs	2	
Weaned	2	



Growth			Reproduction			
Wn. Dir.	Wean Mat.	Post-Wn.	NLW	TWW	AFL	ILP
94	124	99	96	96	101	96
63%	61%	34%	44%	44%	42%	30%



EBV Analysis 2023-08-21

Logix Merit Index	105
Growth Index	109
Reproduction Index	113

SELLER REMARKS: Dragtig met eenling van MS 20 0117. Enting: Slendal, Bloutong A,B,C en Multivax P Plus.

LOT 196 (F)



THABA KWENA DORMERS
Modimolle, Limpopo
0718969800
admin@tkwena.co.za

TK 210014

THABA KWENA DOM EWE TK210014



Kuddeboek	SP	
Geb. dtm	2021-04-17	
Oud.	2.4 jaar	
Inteling	6.39%	
Geb. Status	1	
OEL	ILP	OPI
16.8m	328d	100
Gelam	2	
Lammers	3	
Gespeen	1	

GH 190136
MERTOUN RAM GH190136

Ouerskap	Vaar	Moer
DNS		
Genomies		

GH 190529
MERTOUN EWE GH190529
OEL 23 | ILP 366 | OPI 96
Gelam 2 | Lammers 2 | Gespeen 2

DZ 140020
DROERIVIER RAM DZ 140020

GH 170236
MERTOUN OOI GH 170236
OEL 17.7 | ILP 274 | OPI 153
Gelam 6 | Lammers 10 | Gespeen 9

GH 160435
MERTOUN RAM GH160435

GH 170365
MERTOUN OOI GH 170365
OEL 20.7 | ILP 408 | OPI 100
Gelam 4 | Lammers 4 | Gespeen 4

JOHANRI RAM JB 110054

DROERIVIER OOI DZ 100001
OEL 16.5 | ILP 290 | OPI -
Gelam 9 | Lammers 18 | Gespeen 17

MERTOUN RAM GH 150132

MERTOUN OOI GH 150084
OEL 23.4 | ILP 418 | OPI 94
Gelam 3 | Lammers 4 | Gespeen 4

2BROERS RAM T 120093

JOHANRI OOI JB 080064
OEL 55 | ILP 349 | OPI 105
Gelam 5 | Lammers 9 | Gespeen 7

MERTOUN RAM GH 150154

MERTOUN OOI GH 150023
OEL 23.5 | ILP 376 | OPI 87
Gelam 2 | Lammers 2 | Gespeen 2

Groi			Reproduksie			
Spn. Dir.	Spn. Mat.	Na-Spn.	GLS	TWW	OEL	ILP
106	96	101	90	90	70	77
57%	52%	27%	40%	40%	34%	33%



EBV Analise 2023-08-21

Logix Meriete Indeks	93
Groi Indeks	108
Reproduksie Indeks	82

VERKOPER OPMERKINGS: Dragtig met tweeling.

LOT 197 (F)



P. JORDAAN
Somerset East, Eastern Cape
0765130473
bffarms01@gmail.com

P 220003

BUFFELSFONTEIN OOI P220003



Kuddeboek	SP	
Geb. dtm	2022-05-01	
Oud.	1.3 jaar	
Inteling	4.98%	
Geb. Status	1	
OEL	ILP	OPI
-	-	-

T 200141
2BROERS RAM T 200141

Ouerskap	Vaar	Moer
DNS		
Genomies		

P 210062
BUFFELSFONTEIN EWE P210062
OEL 14 | ILP - | OPI 96
Gelam 1 | Lammers 1 | Gespeen 1

SL 180118
ROOIEK RAM SL180118

T 170105
2BROERS OOI T 170105
OEL 36.1 | ILP - | OPI 92
Gelam 1 | Lammers 3 | Gespeen 3

SL 200024
ROOIEK RAM SL 200024

FCC 160288
SANCTUARY OOI FCC 160288
OEL 21.5 | ILP 289 | OPI 127
Gelam 6 | Lammers 10 | Gespeen 10

ROOIEK RAM SL 170032

ROOIEK OOI SL120040
OEL 18.6 | ILP 407 | OPI -
Gelam 7 | Lammers 15 | Gespeen 12

2BROERS RAM T 140278

2BROERS OOI T 140034
OEL 23.3 | ILP 360 | OPI 129
Gelam 7 | Lammers 13 | Gespeen 13

KAIROS RAM JH180153

ROOIEK OOI SL150075
OEL 24.7 | ILP 326 | OPI 139
Gelam 6 | Lammers 7 | Gespeen 7

EVERSAR RAM CN150069

SANCTUARY OOI FCC 130275
OEL 34.9 | ILP 287 | OPI 105
Gelam 5 | Lammers 8 | Gespeen 7

Groi			Reproduksie			
Spn. Dir.	Spn. Mat.	Na-Spn.	GLS	TWW	OEL	ILP
83	114	87	102	102	94	102
49%	37%	21%	27%	27%	26%	19%



EBV Analise 2023-08-21

Logix Meriete Indeks	95
Groi Indeks	93
Reproduksie Indeks	109

VERKOPER OPMERKINGS: Oop.

LOT 198 (F)



P. JORDAAN
Somerset East, Eastern Cape
0765130473
bffarms01@gmail.com

P 220065

BUFFELSFONTEIN OOI P220065



Kuddeboek	SP	
Geb. dtm	2022-05-01	
Oud.	1.3 jaar	
Inteling	5.88%	
Geb. Status	2	
OEL	ILP	OPI
-	-	-

T 190243
2BROERS RAM T190243

Ouerskap	Vaar	Moer
DNS		
Genomies		

FCC 170051
SANCTUARY OOI FCC 170051
OEL 15.9 | ILP 269 | OPI 116
Gelam 6 | Lammers 10 | Gespeen 9

VE 130035
HELDERHOEK RAM VE 130035

T 160060
2BROERS OOI T 160060
OEL 15.2 | ILP 504 | OPI 87
Gelam 2 | Lammers 5 | Gespeen 5

DZ 110115
DROERIVIER RAM DZ 110115

FCC 130372
SANCTUARY OOI FCC 130372
OEL 32.2 | ILP 252 | OPI 100
Gelam 7 | Lammers 14 | Gespeen 14

DANELLA RAM VZ 080070

HELDERHOEK OOI VE 110038
OEL 24.2 | ILP - | OPI -
Gelam 1 | Lammers 1 | Gespeen 1

JOHANRI RAM JB 130074 BARNARD

2BROERS OOI T 120055
OEL 14.6 | ILP 410 | OPI 129
Gelam 6 | Lammers 13 | Gespeen 13

DROERIVIER RAM DZ 070013

DROERIVIER OOI DZ 090255
OEL 14.7 | ILP 273 | OPI 215
Gelam 11 | Lammers 20 | Gespeen 20

DROERIVIER RAM DZ 110115

SANCTUARY OOI FCC 110029
OEL - | ILP 457 | OPI 98
Gelam 4 | Lammers 5 | Gespeen 3

Groi			Reproduksie			
Spn. Dir.	Spn. Mat.	Na-Spn.	GLS	TWW	OEL	ILP
104	102	104	113	113	117	94
63%	57%	52%	45%	45%	46%	34%



EBV Analise 2023-08-21

Logix Meriete Indeks	117
Groi Indeks	108
Reproduksie Indeks	121

VERKOPER OPMERKINGS: Oop.

LOT 199 (F)



P. JORDAAN
Somerset East, Eastern Cape
0765130473
bffarms01@gmail.com

P 220082

BUFFELSFONTEIN OOI P 220082



Herd Book	SP	
Birth date	2022-05-01	
Age	1.3 years	
Inbreeding	7.48%	
Birth Stat.	1	
AFL	ILP	EPI
-	-	-

T 190243
2BROERS RAM T190243

Parentage	Sire	Dam
DNA		
Genomic		

FCC 190094
SANCTUARY EWE FCC190094
AFL 26.6 | ILP 273 | EPI 90
Lambled 2 | Lams 2 | Weaned 2

VE 130035
HELDERHOEK RAM VE 130035
DANELLA RAM VZ 080070
HELDERHOEK OOI VE 110038
AFL 24.2 | ILP - | EPI -
Lambled 1 | Lams 1 | Weaned 1

T 160060
2BROERS OOI T 160060
AFL 15.2 | ILP 504 | EPI 87
Lambled 2 | Lams 5 | Weaned 5
JOHANRI RAM JB 130074 BARNARD
2BROERS OOI T 120055
AFL 14.6 | ILP 410 | EPI 129
Lambled 6 | Lams 13 | Weaned 13

FCC 170256
SANCTUARY RAM FCC 170256
JOHANRI RAM JB 150029
SANCTUARY OOI FCC 160159
AFL 12.9 | ILP - | EPI 89
Lambled 1 | Lams 2 | Weaned 2

FCC 160320
SANCTUARY OOI FCC 160320
AFL 24.1 | ILP 386 | EPI 103
Lambled 4 | Lams 7 | Weaned 6
EVERSAR RAM CN150069
SANCTUARY EWE FCC140311
AFL 22.3 | ILP - | EPI 98
Lambled 1 | Lams 2 | Weaned 2

Growth			Reproduction			
Wn. Dir.	Wean Mat.	Post-Wn.	NLW	TWW	AFL	ILP
110	106	111	93	93	121	104
63%	54%	47%	41%	41%	43%	30%



EBV Analysis 2023-08-21

Logix Merit Index	116
Growth Index	116
Reproduction Index	110

SELLER REMARKS: Dragtig met tweeling van P 22 0077.

LOT 200 (F)



P. JORDAAN
Somerset East, Eastern Cape
0765130473
bffarms01@gmail.com

P 220056

BUFFELSFONTEIN EWE P220056



Herd Book	SP	
Birth date	2022-05-01	
Age	1.3 years	
Inbreeding	5.43%	
Birth Stat.	2	
AFL	ILP	EPI
-	-	-

T 200204
2BROERS RAM T 200204

Parentage	Sire	Dam
DNA		
Genomic		

FCC 190011
SANCTUARY EWE FCC190011
AFL 27.8 | ILP 273 | EPI 99
Lambled 2 | Lams 4 | Weaned 4

SL 180115
ROOIEK RAM SL180115
ROOIEK RAM SL 170032
ROOIEK OOI SL 170016
AFL 18.2 | ILP 365 | EPI -
Lambled 5 | Lams 8 | Weaned 8

T 180031
2BROERS EWE T180031
AFL 23.3 | ILP - | EPI 90
Lambled 1 | Lams 2 | Weaned 2
2BROERS RAM T 160050
2BROERS OOI T 160299
AFL 22.6 | ILP 356 | EPI 91
Lambled 2 | Lams 6 | Weaned 6

JP 170020
WELPIC RAM JP170020
JOHANRI RAM JB 110054
WELPIC EWE JP150074
AFL 19.2 | ILP 367 | EPI 97
Lambled 5 | Lams 9 | Weaned 9

FCC 140402
SANCTUARY EWE FCC140402
AFL 30.7 | ILP 353 | EPI 108
Lambled 3 | Lams 6 | Weaned 6
DROERIVIER RAM DZ 110115
SANCTUARY OOI FCC 130142
AFL 14.9 | ILP - | EPI -
Lambled 1 | Lams 2 | Weaned -

Growth			Reproduction			
Wn. Dir.	Wean Mat.	Post-Wn.	NLW	TWW	AFL	ILP
85	100	83	110	110	93	111
58%	43%	26%	30%	30%	29%	24%



EBV Analysis 2023-08-21

Logix Merit Index	96
Growth Index	88
Reproduction Index	108

SELLER REMARKS: Dragtig met tweeling van P 22 0077.

LOT 201 (F)



P. JORDAAN
Somerset East, Eastern Cape
0765130473
bffarms01@gmail.com

P 220005

BUFFELSFONTEIN EWE P220005



Herd Book	SP	
Birth date	2022-05-01	
Age	1.3 years	
Inbreeding	4.99%	
Birth Stat.	2	
AFL	ILP	EPI
-	-	-

T 200204
2BROERS RAM T 200204

Parentage	Sire	Dam
DNA		
Genomic		

FCC 180602
SANCTUARY EWE FCC180602
AFL 33.5 | ILP 273 | EPI 104
Lambled 2 | Lams 4 | Weaned 4

SL 180115
ROOIEK RAM SL180115
ROOIEK RAM SL 170032
ROOIEK OOI SL 170016
AFL 18.2 | ILP 365 | EPI -
Lambled 5 | Lams 8 | Weaned 8

T 180031
2BROERS EWE T180031
AFL 23.3 | ILP - | EPI 90
Lambled 1 | Lams 2 | Weaned 2
2BROERS RAM T 160050
2BROERS OOI T 160299
AFL 22.6 | ILP 356 | EPI 91
Lambled 2 | Lams 6 | Weaned 6

FCC 170256
SANCTUARY RAM FCC 170256
JOHANRI RAM JB 150029
SANCTUARY OOI FCC 160159
AFL 12.9 | ILP - | EPI 89
Lambled 1 | Lams 2 | Weaned 2

FCC 140076
SANCTUARY EWE FCC140076
AFL 36.7 | ILP 293 | EPI 97
Lambled 4 | Lams 5 | Weaned 4
DROERIVIER RAM DZ 110115
SANCTUARY OOI FCC 090033
AFL - | ILP 264 | EPI 94
Lambled 3 | Lams 3 | Weaned 2

Growth			Reproduction			
Wn. Dir.	Wean Mat.	Post-Wn.	NLW	TWW	AFL	ILP
95	92	92	100	100	103	116
58%	42%	31%	29%	29%	27%	22%



EBV Analysis 2023-08-21

Logix Merit Index	98
Growth Index	95
Reproduction Index	100

SELLER REMARKS: Oop.



The Trusted Home of Agriculture
Die Betroubare Tuiste van Landbou

BKB

**& AL DIE
VERKOPERS**

BEDANK U

VIR U

ONDERSTEUNING!

VEILINGSREÛLS
BEDINGE EN VOORWAARDES

1. Hierdie veiling word gehou onder die beheer van BKB Beperk/ BKB van Wyk (Edms) Beperk/ BKBLouid (Edms) Beperk (hierna "die Afslaer" genoem) met besigheidspersele geleë te: Kerkstraat 15 Cradock.
2. Die Afslaer word hier deur benoem deur die Koper en Verkoop om op te tree vir en namens die Koper en Verkoop as agent in ooreenstemming met Artikel 54 van die Belasting op Toegevoegde Waarde Wet, 1991, ten opsigte van alle belasting fakture, krediet en / of debiet notas ten opsigte lewendehawe, wild en/of ander goedere aangebied by die veiling en enige koste van vervoer en versekering premies wat namens die Koper en Verkoop betaal is.
3. Die reëls van hierdie veiling is ooreenkomstig met die bepaling van Art 45 en alle relevante regulasies tot die Verbruikers Beskermings Wet Nr 68 van 2008.
4. Vir groter duidelikeid, bepaal Art 45(1-4) soos volg:
 - 4.1 Wanneer na veilings verwys word, sluit dit ekskusie verkopings gemagtig deur 'n hofbevel in, insover die hofbevel vereis dat die verkope van bates deur middel van 'n veiling moet plaasvind.
 - 4.2 Wanneer bates in lotte te koop aangebied word op 'n veiling, elke lot, tot die teendeel bewys word, geag word 'n aparte transaksie te wees.
 - 4.3 Verkope deur middel van 'n veiling word as finaal beskou wanneer die Afslaer die verkoop van 'n spesifieke item of lot as voltooid aankondig deur die val van die hamer of op enige ander gebruiklike manier. Tot en met hierdie aankondiging, kan 'n bod herroep word.
 - 4.4 Vroegtydige kennis moet gegee word as die veiling en/of lot onderworpe is aan:
 - 4.4.1 'n Reserwe of minimum bod; of
 - 4.4.2 Die reg van die eienaar of Afslaer om op die veiling te bie, of enige ander persoon namens die eienaar of Afslaer te bie.
5. Tot en met die toestaan van 'n bod deur die Afslaer, soos bedoel in Art 45(3), is die Afslaer geregtig om enige bod te verwerp wat nie aan die regulasies voldoen nie en die hoogste bod aan te wys.
6. Hierdie veiling is nie 'n absolute veiling nie, maar onderworpe aan reserwe pryse vasgestel deur die Verkoop en uitgewys deur die Afslaer voor die verkoop van elke bate of lot.
7. Hierdie veiling sal op die datum en tyd begin soos geadverteer of gepubliseer en sal nie uitgestel of later begin om enige lid of groep van die publiek in staat te stel om aan die veiling te mag deelneem nie.
8. Indien die Afslaer bewys raak van enige fout op advertensie materiaal of enige ander publikasie of enige wysiging in hierdie veilingsreëls, sal die Afslaer spesifiek die wysigings in die reëls uitwys sowel as die foute in die advertensie of publikasie.
9. Enige persoon wat die veiling bywoon om self te bie moet, voor die aanvang van die veiling, registreer as 'n Koper op die kopersrol en voldoen aan die vereistes soos voorgeskryf in Hoofstuk 1 van FICA 2001 en die kopersrol/koperskaarte onderteken.
10. Enige persoon wat die veiling bywoon om namens 'n ander persoon te bie, moet behoorlik daartoe gemagtig word deur middel van 'n magtingskrywe van sy prinsiaal en beide die persoon en sy prinsiaal moet voor die veiling op die kopersrol registreer deur die nodige informasie te verskaf soos voorgeskryf in Hoofstuk 1 van die regulasies uitgereik in terme van FICA 2001 ten opsigte van die wysing van identiteit en moet die kopersrol/koperskaarte onderteken.
11. Waar die prinsiaal 'n maatskappy is, sal die magtingskrywe op die briefhoof van die maatskappy verskyn en vergees word met 'n gesertifiseerde afskrif van die resolusie wat die persoon magtig om so te doen. (Vir doeleindes van hierdie reël, sluit die verwysing na maatskappy ook 'n verwysing in na enige juridiese persoon, insluitend vennootskappe, trusts of regsiggame).
12. Alle Kopers het 'n reg om die bates te koop aangebied te inspekteer en die Afslaer sal redelike tyd en toegang hiervoor toelaat voor aanvang van die veiling.
13. Alle lewendehawe, wild en bates word voetloots verkoop en die Kopers geniet nie die beskerming soos uiteengesit in Art 55 en 56 van die Verbruikers Beskermings Wet nie.
14. Enige inligting verstrekkend met betrekking tot die gehalte, teling, gestagsboom, ouderdom, datum van dekking, kondisie, reproduktiewe status of vermoë, vrugbaarheid, gesondheidstoestand, produksievermoë, massa of enige aspek van die lewendehawe en/of wild, word deur die Verkoop verstrekkend en enige wanvoorstelling deur die Verkoop is sonder die mededatiewe of samewerking van die Afslaer. Enige verhaarsleg voortspruitend uit so 'n wanvoorstelling sal uitsluitlik teen die Verkoop wees.
15. 'n Bod gemaak sluit nie Belasting op Toegevoegde Waarde in nie. BTW sal, waar van toepassing, by die prys gegee gevoeg word op alle fakture wat uitgereik word.
16. Alle verkope geskied kontant en die koopprys is onmiddellik betaalbaar aan die Afslaer na aanvaarding van die bod, tensy vooraf anders met die Afslaer ooreengekom is. Enige kontantbetalings is verder onderworpe aan kontant of enige ander hanteringsfoole. Sou die koper eger versuim om binne 7 dae van lewering te betaal, is BKB geregtig om rente by die uitstaende bedrae te voeg bereken teen die huidige bank prima koers plus 5%, maandeliks bereken en gekapitaliseer.
17. Indien die Koper nie die koopprys onmiddellik betaal nie en verder geen gepaste reëlings met die Afslaer getref het nie, sal/kan die Afslaer die verkoop kanselleer en die bate of lot as onverkoopte bates hanteer en dit of weer aanbied op die veiling of by afdoop van die veiling uit die hand uit namens die Verkoop verkoop, afhangend van die Verkoop se mandaat aan die Afslaer.
18. Eiendomsreg in die lot sal gevestigd bly in die Verkoop totdat die koopprys daarvan ten volle aan die Verkoop verrekken is, met die voorbehoud dat risiko in die bates of lot reeds by toestaan van die bod oorgaan na die Koper soos uiteengesit in klousule 23.
19. Indien die Koper wel vooraf gepaste reëlings met BKB getref het, magtig die Koper BKB hiermee om die koopprys, koste van vervoer en versekering of enige ander ooreengekomme koste, minus BKB se kommissie, namens die Koper aan die Verkoop en ander diensverskaffers te betaal, in welke geval die gemelde koopprys, en koste geag word geleë en voorgeskiet te wees, die terme waarvan ooreengekom is met die Koper in 'n aparte kredietooreenkoms of koopoooreenkoms. Alle betalings in terme van hierdie klousule wat deur BKB gemaak moet word aan die Verkoop namens die Koper sal deur BKB gemaak word na verstryking van die 5 werksdae vanaf datum van lewering aan die Koper. Betalings voor verstryking van die 5 werksdae deur BKB aan die Verkoop word gemaak in die uitsluitlike diskresie van BKB en is nie 'n afdwingbare vergoeding nie.
20. Solank enige bedrag hierkragtens deur die Koper aan BKB verskuldig is, mag die Koper, waar die bates die onderwerp van sekuriteit is vir die Koper se kredietfasiliteit met BKB, nie afstand doen van die besit van die bates nie en mag die Koper nie die bates of enige van sy regte of verpligtinge kragtens hierdie ooreenkoms seeder, afstaan, verpand of andersins beswaar, verkoop, vervreem of aanbied om die voornome te doen, of toelaat dat die bates onderworpe raak aan enige retensie, hipoteek, pand of ander beswaring of geregtelike beslaglegging wat ookal die oorsaak daarvan nie. BKB kan sy regte en belange hierin seeder, afstaan of vervreem, sonder afsondering of benadeling van sy reg van invordering van enige gelde aan BKB verskuldig.
21. Waar die Verkoop by die aangaan van hierdie veiling reeds 'n bedrag verskuldig is aan BKB of enige filiaalmaatskappy of firma van BKB, ongeag die skuldooorsaak van sodanige verskuldigheid, magtig die Verkoop BKB onherroeplik om die koopprys hiervan (minus BKB se kommissie) teen die Verkoop se rekening te krediteer, synde betaling van die koopprys namens die Koper te wees.
22. Waar BKB, in terme van die 'n kredietooreenkoms gelde geleë of voorgeskiet het aan die Koper vir die betaling van die koopprys van die bates en die vervoerkoste en versekeringspremies, sal geen verweer hoegenaam dat die Koper teen die Verkoop of vervoerkontraakteur of versekerer het, geopper word teen BKB nie en sal die Koper steeds verplig wees om alle bedrae, tesame met ander rente en kostes kragtens die kredietooreenkoms of koopoooreenkoms verskuldig aan BKB te betaal. Die bepaling van hierdie klousule plaas geen beperking op die Koper se reg om regte/remedies wat hy mag hê teen die Verkoop, vervoerkontraakteur of versekerer uit te oefen nie.
23. Nog die Koper nog die Verkoop sal met betrekking tot enige bedrag hierkragtens verskuldig geregtig wees om skuldvergelyking toe te pas of betalings te weethou ten opsigte van eise teen mekaar of teen BKB.
24. Elke lot sal onmiddellik nadat die bod toegestaan is geag word as gelever aan die Koper en sal daarna op die uitsluitlike risiko van die Koper wees, wie op eie koste die lot of bate van die veilingsterrein sal verwyder. Verwydering van enige bates of lotte sal eger slegs toegelaat word na betaling van die koopprys deur die Koper tensy die gepaste reëlings met die Afslaer getref is en hy toegestem het tot verwydering.
25. Die Afslaer sal slegs die rege vir die veiling aankondig indien dit enige rede anders is as 'n vrywillige verkoop van goedere deur die eienaar.
26. Die kopersrol en die vendurlo is beskikbaar vir geregistreerde Kopers vir inspeksie deur middel van 'n skriftelike versoek en met goeie rede, gedurende besigheidsure by die besigheidspersele van die Afslaer.
27. Hierdie veilingsreëls sal slegs by die veiling uitgelees word indien dit nie beskikbaar was aan die publiek by die besigheidspersele van die Afslaer nie. In die geval van lewendehawe en/of wild veilings, bly die veilingsreëls onveranderd en is dit in die algemeen beskikbaar by die besigheidspersele van die Afslaer en op die Afslaer se webtuiste.
28. BKB sal onder geen omstandighede hoegenaam deur enigeemand aanspreeklik gehou word vir enige verlies of skade van enige aard hoegenaam, hetsy direkte of indirekte skade of gevolskade of andersins gelyk deur enigeemand, indien die lewendehawe en/of wild op die veilingsterrein onder kwarantyn geplaas word as gevolg van die aanwesigheid van 'n beheerde veseektie onder enige lewendehawe en/of wild op die veilingsterrein nie. BKB sal die reg hê om die veiling te staak en elke koop nietig te verklaar en geen party hoegenaam sal enige verhaalreg teen BKB hê met betrekking tot die uitoefening van hierdie bevoegdheid van BKB nie.
29. Partye wat enige permitte, verwyderingsertifikaat, dokumente van identifikasie of enige ander statutêre voorgeskrewe dokument benodig, is self aanspreeklik vir die verkryging daarvan. Enige opdragte aan die Afslaer met betrekking tot die laai, en/of vervoer en/of keuse van vervoerkontraakteurs en/of versekering en/of keuse van versekerers en/of versorging van die lewendehawe en/of wild of goedere voor of na afdoop van die veiling, word uitgevoer op die algehele risiko van die Koper of Verkoop, na gelang van die geval en die Afslaer sal nie aanspreeklik gehou word vir enige verlies of skade van enige aard hoegenaam, hetsy direkte, indirekte, gevolskade of andersins, wat gelyk mag word as gevolg van enige opdragte

van 'n Verkoop of Koper uitgevoer deur die Afslaaer. Die Afslaaer aanvaar egter verantwoordelikheid soos bedoel in Art 65(2) van die Verbruikers Beskermings Wet terwyl die goedere of lewendehawe en/of ander beheer van die Afslaaer is. Enige ooreenkomst wat die Afslaaer met die vervoerondernemer of verskeieraar mag aangaan, word deur die Afslaaer aangegaan as die verteenwoordiger van die Koper of die Verkoop, na gelang van die geval. Alle vervoerkoste en versekeringspremie is vooraf betaalbaar aan die Afslaaer in kontant tensy reëlings tot die bevrediging van die Afslaaer hierof is.

30. Die Koper en die Verkoop stem toe tot die jurisdiksie van die Landdroshof soos beoog in Artikel 45 van Wet Nr 32 van 1944 ten opsigte van enige aksie wat die Afslaaer teen die Koper of Verkoop mag instel, ondanks dat die aangeleentheid, eisorsaak, bedrag of waarde die regspraak van daardie Hof mag oorskray, wat kragtens Artikel 28 van die voornoemde Wet jurisdiksie ten aansien van die Koper of Verkoop het. Nieleentstaande die voorafgaande, sal die Afslaaer in sy uitsluitlike en absolute diskresie die reg hê om 'n regsgeeding in enige Hooggeregshof van bevoegde jurisdiksie in te stel.
31. Enige regskoste wat deur BKB aangegaan word as gevolg van enige nie-nakoming van die Koper of Verkoop se verpligtinge hierkragtens, insluitende invoororderingskommissie, sal deur BKB verhaal word van die Koper of Verkoop, nagelng van die geval, op die skaal soos tussen prokureur en eie klient.
32. Geen wysiging, verandering of nuowasie van of byvoeging tot hierdie voorwaardes en geen afstanddoening deur BKB van enige van sy regte hierkragtens sal enigens van krag wees tensy dit op skrif gestel is en onderteken is deur BKB nie.
33. Geen toeweging of vergunning wat deur die Afslaaer aan die Koper of Verkoop toegestaan word sal geag word om 'n afstanddoening te wees van enige van die Afslaaer se regte hierkragtens nie en sodanige toeweging of vergunning sal nie geag word of vertolk word as 'n nuowasie hiervan nie.
34. Indien enige bepaling hiervan onwettig is of retrospektief onwettig gemaak word, sal daardie onwettige bepaling geag word as deelbaar van die res van die bepalings hiervan en *pro non scripto*.

RULES OF AUCTION TERMS AND CONDITIONS

1. This auction will be held under the control of BKB Limited/ BKB van Wyk (Pty) Limited/ BKBLouwid (Pty) Limited (hereinafter referred to as "the Auctioneer") with business premises situated at: 15 Church street Cradock.
2. The Auctioneer is hereby appointed by the Purchaser and Seller to act for and on behalf of the Purchaser and Seller as agent in accordance with Section 54 of the Value-Added Tax Act, 1991, in respect of all tax invoices, credit and/or debit notes in respect of all livestock, game and/or goods offered at the auction or any costs of transport and insurances premiums paid for on behalf of the Purchaser and Seller.
3. The rules of this auction shall comply with the provisions of Section 45 and all relevant regulations to the Consumer Protection Act 68 of 2008.
4. For greater clarity Section 45(1-4) states as follows:
 - 4.1 In this section, "auction" includes a sale in execution of or pursuant to a court order, to the extent that the order contemplates that the sale is to be conducted by an auction.
 - 4.2 When goods are put up for sale by auction, each lot is, unless there is evidence to the contrary, regarded to be the subject of a separate transaction.
 - 4.3 A sale by auction is complete when the auctioneer announces its completion by the fall of the hammer, or in any other customary manner, and until that announcement is made, a bid may be retracted.
 - 4.4 Notice must be given in advance that a lot or sale by auction is subject to:
 - 4.4.1 A reserved or upset price; or
 - 4.4.2 A right to bid by or on behalf of the owner or auctioneer, in which case the owner or auctioneer, or any one person on behalf of the owner or auctioneer, as the case may be, may bid at the auction.
5. Until the fall of the hammer as contemplated in Section 45(3) of the Act, any bid may be retracted or declined by the Auctioneer if not compliant with the regulations of the Consumer Protection Act.
6. The auction is not an absolute auction but subject to reserved prices settled by the sellers and as pointed out by the Auctioneer prior to the sale of the set asset or lot.
7. The auction shall take place at the date and time as advertised or publicised and will not be postponed or delayed to enable any member or group of the public to partake in the auction.
8. Should the Auctioneer become aware of any fault on advertising material or any other publication or amendment to these Rules of Auction, the Auctioneer will prior to the auction point out and when necessary amend such mistakes in the advertisement or publication.
9. Any person attending the auction to enter a bid, must prior to the auction register as a buyer on the bidders' roll and comply with the conditions as set out in Chapter 1 of FICA 2001. The purchaser shall sign the bidders' roll/card.
10. Any person who attends the auction to enter a bid on behalf of another person must be duly authorised thereto by means of a written letter of authority from its principal and such a person together with his principal must both register prior to the auction on the bidders' roll and provide all necessary information as required in Chapter 1 of the regulations issued in terms of FICA 2001 with regard to proof of its identity. The bidders' roll/card must be signed by such a person and on behalf of its principal.
11. Where the principal is a company the letters of authority shall appear on the letterhead of the company together with a certified copy of a resolution authorizing the person to bid on behalf of the company. (For purposes of this rule any reference to a company will include any reference to juristic person including partnerships, trusts or incorporated entities).
12. All purchasers have a right of inspection of all goods put up for sale and the auctioneer shall provide reasonable time and access prior to the start of the auction for such an inspection.
13. All livestock, game and goods are sold "voetstoots" and the purchasers do not enjoy the protection of Section 55 and 56 of the Consumer Protection Act.
14. Any information provided regarding the quality, breeding, age, date of insemination, condition, reproductive status or any information regarding health, production or mass or any other aspect of the livestock and/or game, is provided by the seller and any misrepresentation by the seller is without the cooperation or knowledge of the Auctioneer. Any right of recourse as a result of such misrepresentation shall be against the seller.
15. Any bid made does not include VAT which, where applicable, will be added to the bidding price for which a VAT invoice will be issued.
16. All sales are for cash and purchase price is payable immediately to the Auctioneer on acceptance of the bid unless otherwise arranged prior to the auction with the Auctioneer. Any payment made in cash is further subject to cash or any other handling fees. Should the Purchaser however fail to make payment within 7 days from date of delivery, BKB will be entitled to add interest calculated at the current bank prime rate plus 5% to the capital amount outstanding. The interest will be calculated monthly and capitalised.
17. Should the purchaser not pay the purchase price immediately and has failed to make arrangements for payment with the Auctioneer, then the Auctioneer can/will cancel the sale and treat the assets or lots as unsold lots which may again be presented on the auction for sale or be sold out of hand by means of liaison services, depending on the seller's mandate to the auctioneer.
18. Ownership in the lot or assets will remain that of the seller until the purchase price has been paid in full to the seller with the provision that the risk in the assets or lot passes to the purchaser at the fall of the hammer as set out in clause 23.
19. In the event that Purchaser has made necessary finance arrangements with BKB, the Purchaser hereby authorises BKB to pay the purchase price or costs of transport, insurance and any other agreed cost, minus BKB's commissions, on behalf of the Purchaser to the Seller and other service providers, in which event the said payment by BKB on behalf of the Purchaser will be deemed to be monies lent and advanced, the terms and conditions thereof being agreed with the Purchaser in a separate credit agreement or sale agreement. All payments made by BKB to the Seller on behalf of the Purchaser in terms of this clause will be made after the lapse of 5 (Five) working days from date of delivery of the asset to the Purchaser. Any payment made by BKB to the Seller prior to the lapse of the 5 (Five) working day period is made at the sole discretion of BKB and not an enforceable indulgence.
20. For as long as any amount is owing to BKB by the Purchaser, the Purchaser may not, where the assets are the subject of security of the Purchaser's credit facility with BKB, relinquish possession of the said asset, nor may he cede the asset or any of its rights and obligations in terms of this agreement to a third party or otherwise encumber, sell or dispose of the said asset or allow it to become the subject of any right of retention, hypothec, pledge or any encumbrance, whatever the cause thereof may be. BKB may be entitled to cede its rights and obligations without affecting its rights of recourse for any monies still due to it.
21. In the event of the Seller already being indebted to BKB or any of its affiliates at the time of this auction, the Seller hereby irrevocably authorises BKB to set off the purchase price due to the Seller by BKB (minus BKB's commission) against the amounts due by the Seller to BKB.
22. Where BKB, in terms of a credit agreement, lent and advanced monies to the Purchaser for payment of the purchase price of any asset or payment of any transport costs or insurance premiums, no defence of whatsoever nature which the Purchaser may raise against the Seller or the transport contractor or the insurance company may be raised against BKB and the Purchaser shall still be obligated to pay all amounts owing, together with further interest and costs thereon raised in terms of the credit agreement or sale agreement, to be BKB. The conditions of this clause do not interfere with the rights, entitlements or remedies the Purchaser may have against the Seller, transport contractor or insurance company.
23. Neither the Purchaser, nor the Seller, shall be entitled to apply set-off or to retain any monies owing arising from any claim they may have against each other or BKB with regards to any amount owing in terms hereof.
24. Each lot shall immediately after the fall of the hammer deemed to be delivered to the purchaser at which time the risk will pass to the purchaser who will at his own risk and cost remove the lots or assets from the auction terrain. Removal of any assets or lots however will not be allowed by the Auctioneer until payment of the purchase price by the purchaser or acceptable arrangements for payment thereof have been made by the purchaser with the Auctioneer.
25. The Auctioneer will only be obliged to give reasons of the auction if such reasons are other than the voluntary sale of goods by its owners.

26. The bidders' roll and vendor roll will be available for registered buyers for inspection with written notice and good reason during the normal office hours at the business premises of the Auctioneer.
27. The rules of auction will only be read out at the auction if they were not available to the public at the place of business of the Auctioneer. In the event of livestock and game auctions, the rules of auction remain unchanged and are in general available at the business premises of the Auctioneer or on the website of the Auctioneer.
28. Under no circumstances will BKB be held liable for any loss or damage of any cause whatsoever albeit direct or indirect damages suffered by anyone if the livestock and/or game at the auction premises have to be placed under quarantine as a result of the presence of a livestock and/or game disease present. In such event BKB will have the right to cancel the auction as well as any already complete sales and no party will be entitled or have a right of recourse against BKB.
29. Any party requiring permits, removal certificate, documentation of identification or any other statutory prescribed document will solely be responsible for obtaining same. Any instructions to an auctioneer with regards to the loading, transporting, choice of transport contractors, insurance or choice of insurers will be executed at the sole risk of the person acquiring such services and the Auctioneer will not be held responsible for any losses whether direct or indirect which may be suffered as a result of giving effect to the instructions by the Auctioneer. The Auctioneer however does accept responsibility as contemplated in Section 35(2) of the Consumer Protection Act whilst the goods or lots are under control of the auctioneer. Any agreement entered into by the Auctioneer with a transport company or insurer is done so in its representative capacity of the seller or buyer. All transport costs or insurance premiums are therefore payable to the Auctioneer in cash except if acceptable alternative arrangements were made with the Auctioneer.
30. Both the seller and the buyer consent to the jurisdiction of the Magistrate's Court as contemplated in Section 45 of Act 32 of 1944 having regard to any action which the Auctioneer may institute against the buyer or seller irrespective of the cause of action. Notwithstanding the aforesaid the Auctioneer will have the sole and absolute discretion to institute action in any High Court with appropriate jurisdiction.
31. Any legal costs that BKB may have or will incur as a result of the non-compliance of the Purchaser and/or Seller in terms of its or their obligations herein, shall be recoverable by BKB, together with collection commissions from the Purchaser and/or Seller on a scale as between attorney and own client.
32. No variation, amendment, novation or addition to these terms and conditions will have the effect of BKB renouncing any of its rights in terms hereof, unless it is reduced to writing and signed by BKB.
33. No relaxation or indulgence by the Auctioneer must be interpreted as a waiver of any of the Auctioneer's rights in terms hereof. Such relaxation or indulgence must also not be interpreted as a novation hereto.
34. Should any condition be unlawful or become retrospectively unlawful, that unlawful condition shall be deemed to be amended to the extent and in the manner as is necessary to make it lawful or should such amendment be impossible, the unlawful conditions shall be deemed devisable from the remainder of the conditions and *pro non scripto*.

SKAKELDIENSOORENKOMS: BEDIINGE EN VOORWAARDES

1. Vir doeleindes van hierdie bedinge en voorwaardes, waar na BKB verwys word, word verwys na BKB Beperk en of enige van sy filiaal maatskappye, insluitend maar nie beperk tot BKB VAN WYK (Edms) Beperk en BKB Louidw (Edms) Beperk nie.
2. Alle goedere en/of lewendes hawe (hierna verwys as "die bates/s") word deur BKB namens die Verkoper verkoop.
3. BKB word hier deur benoem deur die Koper en Verkoper om op te tree vir en namens die Koper en Verkoper as agent in ooreenstemming met Artikel 54 van die Belasting op Toegevoegde Waarde Wet, 1991, ten opsigte van alle belasting fakture, krediet en / of debiet notas van ten opsigte lewendes hawe, wild en/of ander goedere aangebied as deel van die skakeldienstransaksie of enige koste van vervoer en verpakking premies wat namens die Koper en Verkoper betaal is.
4. Die Verkoper bevestig dat daar geen beswarings op sodanige bates bestaan nie, dit nie sodeer is nie en dat dit sy uitsluitlike eiendom is.
5. Die Verkoper wat enige bate aanbied aanvaar alle aanspreeklikheid met betrekking tot inligting oor teeling, geslag, ouderdomme, datums van dekking, gesondheidstoestand of enige ander besonderhede of aspekte van die bate(s) wat foutief mag wees en die Koper se enigste reg van verhaal, in geval van 'n dispuut, sal teen die Verkoper wees.
6. Die Koper is in alle transaksies geregtig om die bates te inspekteer sodat die Koper kan vasstel dat die bates van die tipe en kwaliteit is wat redelik verwag kan word en waar spesifieke vereistes vir die bates gestel is, om te bepaal of dit wel daaraan voldoen.
7. Die Koper moet alles moontlik doen om sy reg op inspeksie uit te voer in persoon of deur 'n agent van die Koper anders as 'n BKB beampte. Sou die Koper versuim om van hierdie geleentheid gebruik te maak, verstaan die Koper dat hy geen reg sal hê om lewering van die bates te weier of die bates terug te stuur aan die Verkoper en sy koopprys terug te eis op grond daarvan dat die bates nie van die tipe, kwaliteit of aan spesifieke vereistes voldoen nie.
8. Tensy spesifiek anders ooreengekom tussen die Verkoper en die Koper is die Koper geregtig op lewering van die bates binne 'n redelike tyd nadat die transaksie voltooi is.
9. Vir doeleindes hiervan, en tensy spesifiek anders ooreengekom tussen die Koper en Verkoper, word dit geag dat lewering plaasvind by die persele van die Verkoper. Alle risiko in die bates gaan oor van die Verkoper na die Koper op lewering.
10. Sou die bates op die versoek en aandrang van die Koper deur vervoerkontrakteurs getaal word by die persele van die Verkoper, word lewering daarvan aan die Koper geag te wees op die tydstop wanneer die bates deur die vervoerkontraakteur gelaai is.
11. Waar vervoeroreëlings getref is deur enige beampte van BKB, word dit geag, vir doeleindes hiervan gereël te wees op die versoek en aandrang van die Koper.
12. BKB sal geregtig wees op kommissie betaalbaar deur die Koper en/of die Verkoper na gelang van die geval, soos geregtig wees om die kostes, soos gespesifiseer op die keersy, van die Verkoper/Koper te verhaal.
13. Die koopprys, BKB se kommissie, enige statutêre heffings, die vervoerkoste (indien enige) en die versekeringspremie (indien enige) is in kontant deur die Koper betaalbaar aan BKB op voltooiing van die transaksie, tensy skriftelik vooraf anders met BKB ooreengekom is. Enige kontantbetalings is verder onderworpe aan kontant of enige ander hanteringsfoosie. Sou die koper egtjers versuim om binne 7 dae van voltooiing van die transaksie te betaal, is BKB geregtig om rente by die uitstaande bedrae te voeg bereken teen die huidige bank prima koers plus 5%, maandeliks bereken en gekapitaliseer.
14. Indien die Koper nie die koopprys binne die 7 dae tydperk betaal nie en nie gepaste finansierings reëlings getref het met BKB nie, kan BKB die verkoop kanselleer.
15. Indien die Koper wel vooraf gepaste reëlings met BKB getref het, magtig die Koper BKB hiermee om die koopprys, koste van vervoer en versekering of enige ander ooreengekomme koste, minus BKB se kommissie, namens die Koper aan die Verkoper en ander diensverkeërs te betaal, in welke geval die gemelde koopprys, en koste geag geleen en voorgesket te wees, die terme waarvan ooreengekom is met die Koper in 'n aparte kredietooreenkoms of kooporeenkoms. Alle betalings in terme van hierdie klousule wat deur BKB gemaak moet word aan die Verkoper namens die Koper sal deur BKB gemaak word na verstryking van 5 werksdae vanaf datum van voltooiing van die transaksie. Betalings voor verstryking van die 5 werksdae deur BKB aan die Verkoper word gemaak in die uitsluitlike diskresie van BKB en is nie 'n afdwingbare vergoeding nie.
16. Solank enige bedrag hierkragtens deur die Koper aan BKB verskuldig is, mag die Koper, waar die bates die onderwerp van sekuriteit is vir die Koper se kredietfasiliteit met BKB, nie afstand doen van die best van die bates nie en mag die Koper nie die bates of enige van sy regte of verpligtinge kragtens hierdie ooreenkoms sodeer, afstaan, verpand of andersins beswaar, verkoop, verveem of aanbied om die voornoemde te doen, of toelaat dat die bates onderworpe raak aan enige retensiering, hipoteek, pand of ander beswaring of geregtelike beslaglegging wat ookal die oorsaak daarvan nie. BKB kan sy regte en belange hierin sodeer, afstaan of verveem, sonder afstanddoening of benadeling van sy reg van inwordering van enige gelde aan BKB verskuldig.
17. Waar die Verkoper by die aangaan van hierdie ooreenkoms reeds 'n bedrag verskuldig is aan BKB of enige filiaal maatskappy of firma van BKB, ongeag die skuldorsaak van sodanige verskuldigheid, magtig die Verkoper by ondertekening hiervan BKB onherroeplik om die koopprys hiervan (minus BKB se kommissie) teen die Verkoper se rekening te krediteer, synde betaling van die koopprys namens die Koper te wees.
18. Waar BKB, in terme van die kredietooreenkoms gelde geleen of voorgesket het aan die Koper vir die betaling van die koopprys van die bates en die vervoerkoste en versekeringspremie, sal geen verveer hoegenaamd wat die Koper teen die Verkoper of vervoerkontraakteur of verskeerker het, geopper word teen BKB nie en sal die Koper steeds verplig wees om alle bedrae, tesame met ander rente en kostes kragtens die kredietooreenkoms of kooporeenkoms verskuldig aan BKB te betaal. Die betalings van hierdie klousule plaas geen beperking op die Koper se reg om regte/remedies wat hy mag hê teen die Verkoper, vervoerkontraakteur of verskeerker uit te oefen nie.
19. Nog die Koper nog die Verkoper sal met betrekking tot enige bedrag hierkragtens verskuldig geregtig wees om skuldvergelik toe te pas of betalings te weierhou ten opsigte van eise teen mekaar of teen BKB.
20. Die Koper en Verkoper stem toe tot die jurisdiksie van die Landdroshof soos beoog in Artikel 45 van Wet No 32 van 1944 ten opsigte van enige aksie wat BKB teen die Koper of Verkoper mag instel, ondanks dat die aangeleentheid, eisoorzaak, bedrag of waarde die regspraak van hierdie Hof mag oorsry, wat kragtens Artikel 28 van die voornoemde Wet jurisdiksie ten aansien van die Koper of Verkoper het. Nieteenstaande die voorafgaande sal BKB, wie sy uitsluitlike en absolute diskresie die reg hê om 'n regsgeding in enige Hooggeregshof van bevoegde jurisdiksie in te stel.
21. 'n Sertifikaat onderteken deur enige Bestuurder, Sekretaris of Rekenmeester vir tyd en wyl van BKB, wie se aanstelling nie as sulks deur BKB bewys hoef te word nie, met betrekking tot enige bedrag verskuldig en/of betaalbaar deur die Koper of Verkoper aan BKB in terme van hierdie ooreenkoms sal *prima facie* bewys daardel van die inhoud daaraan.
22. Enige regskoste wat deur BKB aangegaan word as gevolg van enige nie-nakoming van die Koper of Verkoper se verpligtinge hierkragtens, insluitende inworderingskommissie, sal deur BKB verhaal word van die Koper of Verkoper, nagelang van die geval, op die skaal soos tussen prokureur en eie klient.

23. Hierdie ooreenoms bevat die algehele ooreenoms tussen die partye met betrekking tot die inhoud daarvan en die Koper en Verkoper erken dat daar geen mondelinge ooreenoms of voorstelling is wat op enige wyse hierdie ooreenoms wysig of verander nie van die werking daarvan opskort nie.
24. Geen wysiging, verandering of nuwasië van of byvoeging tot hierdie ooreenoms en geen afstanddoening deur BKB van enige van sy regte hierkragtsens sal enigiens van krag wees tensy dit op skrif gestel is en onderteken is deur BKB nie.
25. Geen toegewing of vergunning wat deur BKB aan die Koper of Verkoper toegestaan word sal geag word om afstanddoening te wees van enige van BKB se regte kragtsens hierdie ooreenoms nie en sodanige toegewing of vergunning sal nie geag word of vertolk word as 'n nuwasië van hierdie ooreenoms nie.
26. Indien enige bepaling van hierdie ooreenoms onwettig is of respektief onwettig gemaak word, sal daardie onwettige bepaling geag word om gewysig te wees in die mate en op die wyse wat nodig is om dit wettig te maak, of indien sodanige wysiging onmoontlik is, sal die onwettige bepaling beskou word as skeikbaar van die res van die bepalings van hierdie ooreenoms en *pro non scripto*.
27. Die Koper en Verkoper kies hiermee respektiewelik hul *domicilia citandi et executandi* vir alle kennisgewings en doeleindes voortspruitend uit of in verband met hierdie ooreenoms by hulle onderskeidelike adresse soos vermeld op die keersy hiervan.
28. Hierdie ooreenoms word in alle opsigte deur en in ooreenoms met die wette van die Republiek van Suid-Afrika gereël en uitgelê en alle geskille, aksies en ander sake in verband hiermee moet ooreenkomstig sodanige wette bepaal word.
29. Waar BKB met betrekking tot hierdie transaksie 'n rekenaar-geprosesseerde afrekeningstaat of faktuur na uitreiking hiervan aan die Verkoper of Koper lewer, bly die bedinge en voorwaardes hierin verstaet geldig en onaangetas deur sodanige afrekeningstaat of faktuur.
30. Waar die Koper in 'n transaksie tree met die Verkoper of enige van die Verkoper se agente wat die resultaat is van direkte bemerkings metodes, mag die Koper die transaksie sonder rede binne 5 werksdae vanaf voltooiing van die transaksie kanselleer met die verstandhouding dat die Koper alle risiko in die bates dra totdat dit terug besorg is aan die Verkoper.
31. Dit word spesifiek aan die Koper uitgewys dat in die geval van 'n kansellasie soos uiteengesit in klousule 29, hy verantwoordelik gehou sal word vir alle veroorkoste, verliese of verandering in die kwaliteit van die bates sowel as kansellasiekoste gelykstaande aan 10% van die aankoopprys welke kansellasie koste die partye ooreenkom is redelik.
32. In die geval waar die koopprys reeds voor die kansellasie soos uiteengesit in klousule 29 aan die Verkoper betaal was, sal die Verkoper verplig wees om die koopprys aan BKB terug te betaal binne 15 werksdae na ontvangs van die bates en sal skuldvergeliking toegepas word deurdat die skade as gevolg van verliese of verandering in die kwaliteit daarvan afgetrek sal word. BKB sal aan die Koper verreken na afrekening van die kansellasiekoste soos ooreengekom.

LIAISON AGREEMENT: TERMS AND CONDITIONS

1. For purposes of these terms and conditions, reference to BKB will be reference to BKB Limited and/or any of its affiliate companies, including but not limited to BKB VAN WYK (Pty) Ltd and BKBLouwid (Pty) Ltd.
2. All goods and/or livestock (hereinafter referred to as "asset") are sold by BKB on behalf of the Seller.
3. BKB is hereby appointed by the Purchaser and Seller to act for and on behalf of the Purchaser and Seller as agent in accordance with Section 54 of the Value-Added Tax Act, 1991, in respect of all tax invoices, credit and/or debit notes in respect of all livestock, game and/or goods supplied as part of the liaison agreement or any costs of transport and insurances premiums paid for on behalf of the Purchaser and Seller.
4. The Seller confirms that he is the sole owner of the asset and that there are no encumbrances over the asset and the asset has not been ceded as security to a third party.
5. A Seller who offers any asset for sale remains solely responsible for all representations, including misrepresentation, regarding *inter alia* the ages, sex and health status or any other specific aspect of the asset(s) and the Purchaser's only right of recourse, should a dispute arise surrounding the representations made by the Seller, will be against the Seller.
6. In all transactions, the Purchaser is entitled to inspect the asset. The purpose of the inspection is to enable the Purchaser to establish whether the asset is of the type and quality which may be reasonably expected and whether the requirements of the asset are met.
7. The Purchaser must do everything in its power to attend to inspection of the asset after, either in person or by means of an agent other than an official of BKB. Should the Purchaser fail to make use of the opportunity to inspect the asset prior to delivery, the Purchaser acknowledges that he will have no right to refuse delivery of the said asset, nor have the right to return the said asset to the Seller on the grounds that the asset is not of the expected type or quality or does not meet specific requirements.
8. Unless otherwise specifically agreed between the Seller and the Purchaser, the Purchaser will be entitled to delivery of the asset within a reasonable time period after entering into the transaction.
9. For purposes hereof, hereof and unless specifically otherwise agreed between the Seller and Purchaser, it is deemed that the delivery takes place at the principle place of business of the Seller, at which time all the risk in the asset transfers from the Seller to the Purchaser.
10. Where the asset is removed at the specific instance and request of the Purchaser by transport operators from the premises of the Seller, delivery to the Purchaser is deemed to take place at the time the asset is collected by the transport operators.
11. Any transport arrangements made by an official of BKB is done so at the instance and request of the Purchaser.
12. BKB is entitled to recover commissions and/or costs as specified on the counterfoil from the Purchaser and/or Seller.
13. The purchase price, BKB's commissions, all statutory levies, the transport costs (if any) and the insurance costs (if any) is immediately payable in cash by the Purchaser to BKB upon entering into the transaction, unless otherwise agreed to in writing between BKB and the Purchaser. Any payment made in cash is further subject to cash or any other handling fees. Should the Purchaser however fail to make payment within 7 days from entering into the transaction, BKB will be entitled to add interest calculated at the current bank prime rate plus 5% to the capital amount outstanding. The interest will be calculated monthly and capitalised.
14. Should the Purchaser fail to pay the purchase price within the 7 (Seven) day period and furthermore fail to make alternate finance arrangements in writing with BKB, BKB will be entitled to cancel the said sale.
15. In the event that Purchaser has made necessary finance arrangements with BKB, the Purchaser hereby authorises BKB to pay the purchase price or costs of transport, insurance and any other agreed cost, minus BKB's commissions, on behalf of the Purchaser to the Seller and other service providers, in which event the said payment by BKB on behalf of the Purchaser will be deemed to be monies lent and advanced, the terms and conditions thereof being agreed with the Purchaser in a separate credit agreement or sale agreement. All payments made by BKB to the Seller on behalf of the Purchaser in terms of this clause will be made after the lapse of 5 (Five) working days from entering into the transaction. Any payment made by BKB to the Seller prior to the lapse of the 5 (Five) working day period is made at the sole discretion of BKB and not an enforceable indulgence.
16. For as long as any amount is owing to BKB by the Purchaser, the Purchaser may not, where the assets are the subject of security of the Purchaser's credit facility with BKB, relinquish possession of the said asset, nor may he cede the asset or any of its rights and obligations in terms of this agreement to a third party or otherwise encumber, sell or dispose of the said asset or allow it to become the subject of any right of retention, hypothec, pledge or any encumbrance, whatever the cause thereof may be. BKB may be entitled to cede its rights and obligations without affecting its rights of recourse for any monies still due to it.
17. In the event of the Seller already being indebted to BKB or any of its affiliates at the time of this agreement, the Seller hereby irrevocably authorises BKB to set off the purchase price due to the Seller by BKB in terms of this agreement (minus BKB's commission) against the amounts due by the Seller to BKB.
18. Where BKB, in terms of a credit agreement, lent and advanced monies to the Purchaser for payment of the purchase price of any asset or payment of any transport costs or insurance premiums, no defence of whatsoever nature which the Purchaser may raise against the Seller or the transport contractor or the insurance company may be raised against BKB and the Purchaser shall still be obligated to pay all amounts owing, together with further interest and costs thereon raised in terms of the credit agreement or sale agreement, to be BKB. The conditions of this clause do not interfere with the rights, entitlements or remedies the Purchaser may have against the Seller, transport contractor or insurance company.
19. Neither the Purchaser, nor the Seller, shall be entitled to apply set-off or to retain any monies owing arising from any claim they may have against each other or BKB with regards to any amount owing in terms hereof.
20. The Purchaser and Seller consent to the jurisdiction of the Magistrates Court as contemplated in terms of Section 45 of Act No 32 of 1944 in respect of any claim or action BKB may wish to institute against either the Seller or Purchaser, irrespective of the fact that the cause of action or amount of claim may exceed the jurisdiction the Court may have in terms of Section 28 of the said legislation. Notwithstanding the above, BKB in its sole and absolute discretion, has the right to institute action against the Seller and/or Purchaser in any High Court with competent jurisdiction.
21. A certificate signed by any manager, secretary or accountant for the time being of BKB and whose appointment does not have to be proven by BKB, shall be considered *prima facie* proof of any amount owing or payable by the Purchaser or Seller to BKB in terms of this agreement.
22. Any legal costs that BKB may have or will incur as a result of the non-compliance of the Purchaser and/or Seller in terms of its or their obligations herein, shall be recoverable by BKB, together with collection commissions from the Purchaser and/or Seller on a scale as between attorney and own client.
23. This agreement constitutes the entire agreement between the parties with regards to the contents thereof and the Purchaser and Seller hereby agrees that no verbal representation or agreement varies, changes or suspends any of the terms and conditions as set out herein.
24. No variation, amendment, novation or addition to this agreement will have the effect of BKB renouncing any of its rights in terms hereof, unless it is reduced to writing and signed by BKB.

SERVICE EXCELLENCE

At BKB we value the importance of trust. Trusting that the rains will return and that the land will produce for those who nurture it. Knowing that trust cannot be bought, but rather earned over time through our actions and our commitment to you, through the good times and bad. We take pride in the relationships we have built with generations of clients, each underpinned by integrity and bound through a look in the eye and the shake of a hand.

WWW.BKB.CO.ZA

BKB

The Trusted Home of Agriculture
Die Betroubare Tuiste van Landbou



To scan, download
a free QR Code app

#SustainabilitySynergised

PEOPLE | PLANET | PROFIT

SERVICE EXCELLENCE | ENTREPRENEURSHIP | EARNINGS | EMPLOYEES | ENVIRONMENT

#IntegrityIntegrated