

AMPTELIKE VEILINGSKATALOGUS VIR /
OFFICIAL AUCTION CATALOGUE FOR

DIÉ DORMER VEILING

Frankfort Gholf Klub
10 February 2024

All Pedigree- and Performance Data is as recorded on LOGIX on 29 January 2024



dormer



SA STAMBOEK
STUD BOOK



LOT 1 (M)



A.S. JORDAAN



Cradock, Eastern Cape
0828555604
andrewjordan3228@gmail.com

ASJ 220009

TOP 3 RAM ASJ220009

Herd Book	SP
Birth date	2022-04-05
Age	1.9 years
Inbreeding	7.92%
Birth Stat.	1
Progeny	None

ASJ 200132
TOP 3 RAM ASJ 200132

Parentage Sire Dam
DNA
Genomic

ASJ 160126
TOP 3 OOI ASJ 160126
AFL 25.5 | ILP 360 | EPI 123
Lambd 2 | Lambs 9 | Weaned 9

JP 180082
WELPIC RAM JP180082

ASJ 160203
TOP 3 OOI ASJ 160203
AFL 36.1 | ILP 377 | EPI 94
Lambd 1 | Lambs 3 | Weaned 3

ASJ 120091
TOP 3 RAM ASJ 120091

ASJ 120377
TOP 3 OOI ASJ 120377
AFL 20.5 | ILP 405 | EPI 103
Lambd 4 | Lambs 9 | Weaned 5

WELPIC RAM JP170001
WELPIC EWE JP160034
AFL 25.6 | ILP 360 | EPI -
Lambd 6 | Lambs 8 | Weaned 6

TOP 3 RAM ASJ140454
TOP 3 OOI ASJ 120059
AFL 16.8 | ILP 439 | EPI 97
Lambd 4 | Lambs 5 | Weaned 3

DROERIVIER RAM DZ 100031
J.O.R OOI JOR 050093
AFL 24.2 | ILP 352 | EPI 116
Lambd 6 | Lambs 9 | Weaned 8

DROERIVIER RAM DZ 100031
TOP 3 OOI ASJ 070004
AFL 16.3 | ILP 366 | EPI 128
Lambd 5 | Lambs 8 | Weaned 8



EBV Analysis 2024-01-24

Growth			Reproduction			
Wn. Dir.	Wean Mat.	Post-Wn.	NLW	TWW	AFL	ILP
96	108	91	101	101	106	113
61%	45%	27%	32%	32%	28%	23%

Logix Merit Index	106
Growth Index	103
Reproduction Index	112

Birth Wt.	-
Wean Wt.	46kg (132)
Post-Wean	-
Mature Wt.	-
ADG Ind.	-
FCR Ind.	-
Scrotum	-

SELLER REMARKS:

LOT 2 (M)



ABEL EN CHARLES JORDAAN



Cradock, Eastern Cape
0765206417
charlesj@ovk.co.za

JOR 220161

J.O.R RAM JOR 220161

Herd Book	SP
Birth date	2022-08-07
Age	1.5 years
Inbreeding	4.9%
Birth Stat.	3
Progeny	None

DZ 170116
DROERIVIER RAM DZ 170116

Parentage Sire Dam
DNA
Genomic

JOR 190160
J.O.R OOI JOR 190160
AFL 24.2 | ILP 352 | EPI 117
Lambd 3 | Lambs 9 | Weaned 7

DZ 110115
DROERIVIER RAM DZ 110115

DZ 140210
DROERIVIER OOI DZ 140210
AFL 14.5 | ILP 323 | EPI 93
Lambd 5 | Lambs 9 | Weaned 9

JOR 180014
J.O.R RAM JOR 180014

JOR 170178
J.O.R OOI JOR 170178
AFL 24.5 | ILP 360 | EPI 117
Lambd 4 | Lambs 8 | Weaned 8

DROERIVIER RAM DZ 070013
DROERIVIER OOI DZ 090255
AFL 14.7 | ILP 273 | EPI -
Lambd 11 | Lambs 20 | Weaned 20

DROERIVIER RAM DZ 110097
DROERIVIER OOI DZ 130161
AFL 15.5 | ILP 255 | EPI 87
Lambd 2 | Lambs 4 | Weaned 4

J.O.R RAM JOR 160035
J.O.R OOI JOR 130310
AFL 20.5 | ILP 299 | EPI 143
Lambd 6 | Lambs 9 | Weaned 8

J.O.R RAM JOR 140269
J.O.R OOI JOR 160076
AFL 15.7 | ILP 479 | EPI 90
Lambd 3 | Lambs 5 | Weaned 3



EBV Analysis 2024-01-24

Growth			Reproduction			
Wn. Dir.	Wean Mat.	Post-Wn.	NLW	TWW	AFL	ILP
101	90	96	133	133	118	108
63%	58%	44%	47%	47%	45%	36%

Logix Merit Index	123
Growth Index	100
Reproduction Index	134

Birth Wt.	-
Wean Wt.	30.9kg (107)
Post-Wean	-
Mature Wt.	-
ADG Ind.	-
FCR Ind.	-
Scrotum	-

SELLER REMARKS:

LOT 3 (M)



ABEL EN CHARLES JORDAAN



Cradock, Eastern Cape
0765206417
charlesj@ovk.co.za

JOR 220019

J.O.R RAM JOR 220019

Herd Book	SP
Birth date	2022-08-03
Age	1.5 years
Inbreeding	4.18%
Birth Stat.	1
Progeny	None

JOR 210042
J.O.R RAM JOR 210042

Parentage Sire Dam
DNA
Genomic

JOR 180015
J.O.R OOI JOR 180015
AFL 19.3 | ILP 358 | EPI 110
Lambd 4 | Lambs 6 | Weaned 6

DZ 140020
DROERIVIER RAM DZ 140020

DE 180099
AAN-DE-VALLEI OOI DE 180099
AFL 20.8 | ILP 333 | EPI 141
Lambd 5 | Lambs 8 | Weaned 8

JOR 160035
J.O.R RAM JOR 160035

JOR 130310
J.O.R OOI JOR 130310
AFL 20.5 | ILP 299 | EPI 143
Lambd 6 | Lambs 9 | Weaned 8

JOHANRI RAM JB 110054
DROERIVIER OOI DZ 100001
AFL 16.5 | ILP 290 | EPI -
Lambd 9 | Lambs 18 | Weaned 17

DROERIVIER RAM DZ 140017
AAN-DE-VALLEI EWE DE120181
AFL 20 | ILP 368 | EPI 146
Lambd 5 | Lambs 9 | Weaned 9

J.O.R RAM JOR 140262
J.O.R OOI JOR 120026
AFL 15.6 | ILP 324 | EPI 97
Lambd 4 | Lambs 4 | Weaned 4

RHENOSTERBOSRUG RAM AP 080018
J.O.R OOI JOR 110212
AFL 23.9 | ILP 390 | EPI 97
Lambd 3 | Lambs 3 | Weaned 3



EBV Analysis 2024-01-24

Growth			Reproduction			
Wn. Dir.	Wean Mat.	Post-Wn.	NLW	TWW	AFL	ILP
109	98	106	104	104	94	110
57%	48%	39%	40%	40%	36%	32%

Logix Merit Index	112
Growth Index	111
Reproduction Index	107

Birth Wt.	-
Wean Wt.	29.9kg (104)
Post-Wean	-
Mature Wt.	-
ADG Ind.	-
FCR Ind.	-
Scrotum	-

SELLER REMARKS:

LOT 4 (M)



JOR 220209

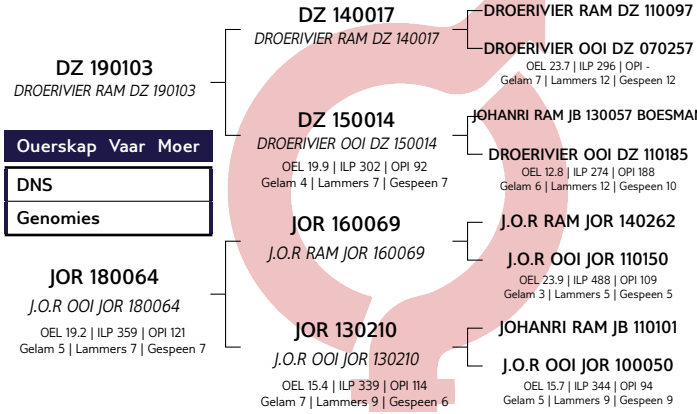
J.O.R RAM JOR 220209

Kuddeboek	SP
Geb. dtm	2022-08-20
Oud.	1.5 jaar
Inteling	4.93%
Geb. Status	1
Nageslag	
Geen	

ABEL EN CHARLES JORDAAN



Cradock, Eastern Cape
0765206417
charlesj@ovk.co.za



EBV Analyse 2024-01-24

Groeï			Reproduksie			
Spn. Dir.	Spn. Mat.	Na-Spn.	GLS	TWW	OEL	ILP
98	91	98	93	93	109	99
62%	54%	44%	42%	42%	38%	31%

Logix Meriete Indeks	96
Groeï Indeks	97
Reproduksie Indeks	93

Geb. Gew.	-
Speen Gew.	39.8kg (102)
Na-Speen	-
Volw. Gew.	-
GDT Ind.	-
VOV Ind.	-
Skrotum	-

VERKOPER OPMERKINGS:

LOT 5 (M)



ASJ 220050

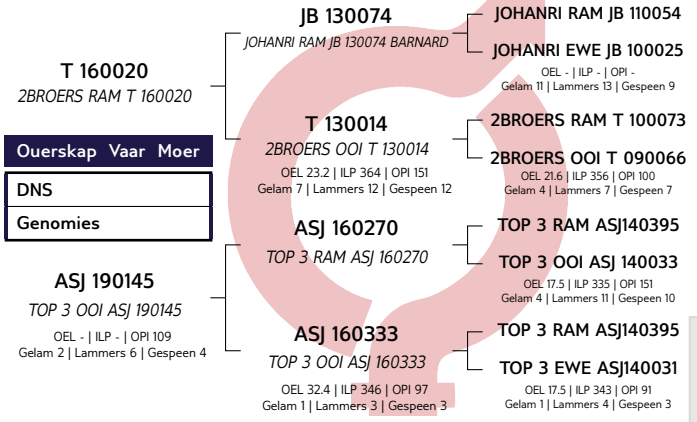
TOP 3 RAM ASJ 220050

Kuddeboek	SP
Geb. dtm	2022-04-05
Oud.	1.9 jaar
Inteling	4.37%
Geb. Status	1
Nageslag	
Geen	

A.S. JORDAAN



Cradock, Eastern Cape
0828555604
andrewjordan3228@gmail.com



EBV Analyse 2024-01-24

Groeï			Reproduksie			
Spn. Dir.	Spn. Mat.	Na-Spn.	GLS	TWW	OEL	ILP
107	80	101	118	118	109	102
62%	56%	41%	46%	46%	43%	35%

Logix Meriete Indeks	112
Groeï Indeks	101
Reproduksie Indeks	110

Geb. Gew.	-
Speen Gew.	37.7kg (108)
Na-Speen	-
Volw. Gew.	-
GDT Ind.	-
VOV Ind.	-
Skrotum	-

VERKOPER OPMERKINGS:

LOT 6 (M)



ASJ 220030

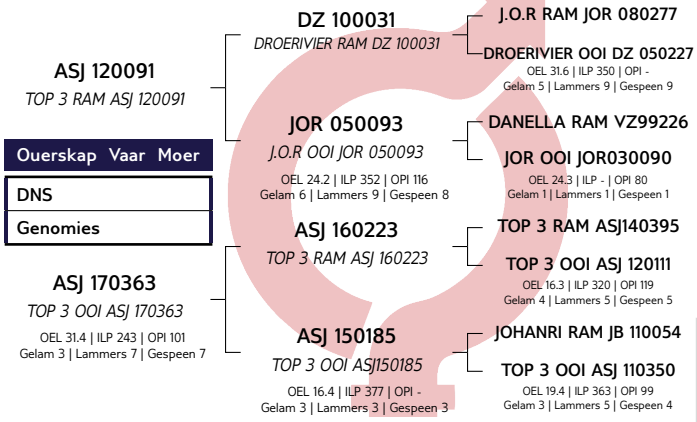
TOP 3 RAM ASJ 220030

Kuddeboek	SP
Geb. dtm	2022-04-05
Oud.	1.9 jaar
Inteling	11.53%
Geb. Status	1
Nageslag	
Geen	

A.S. JORDAAN



Cradock, Eastern Cape
0828555604
andrewjordan3228@gmail.com



EBV Analyse 2024-01-24

Groeï			Reproduksie			
Spn. Dir.	Spn. Mat.	Na-Spn.	GLS	TWW	OEL	ILP
94	89	90	120	120	96	113
62%	55%	41%	43%	43%	39%	32%

Logix Meriete Indeks	104
Groeï Indeks	92
Reproduksie Indeks	112

Geb. Gew.	-
Speen Gew.	37.1kg (107)
Na-Speen	-
Volw. Gew.	-
GDT Ind.	-
VOV Ind.	-
Skrotum	-

VERKOPER OPMERKINGS:

LOT 7 (M)



ASJ 220002

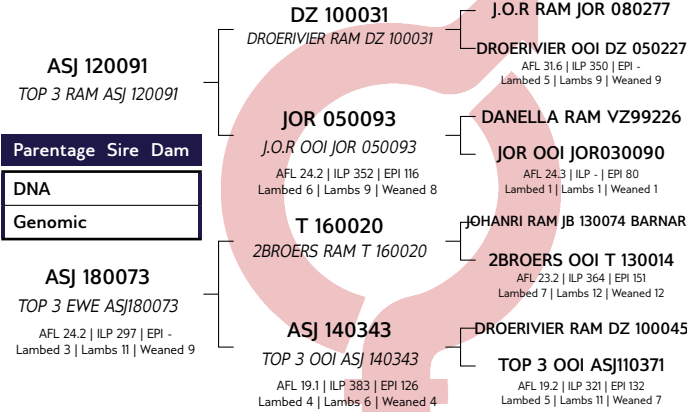
TOP 3 RAM ASJ 220002

Herd Book	SP
Birth date	2022-04-05
Age	1.9 years
Inbreeding	7.61%
Birth Stat.	1
Progeny	None

A.S. JORDAAN



Cradock, Eastern Cape
0828555604
andrewjordan3228@gmail.com



EBV Analysis 2024-01-24

Growth			Reproduction			
Wn. Dir.	Wean Mat.	Post-Wn.	NLW	TWW	AFL	ILP
92	85	90	126	126	101	108
63%	57%	45%	45%	45%	41%	34%

Logix Merit Index	105
Growth Index	88
Reproduction Index	116

Birth Wt.	-
Wean Wt.	33kg (95)
Post-Wean	-
Mature Wt.	-
ADG Ind.	-
FCR Ind.	-
Scrotum	-

SELLER REMARKS:

LOT 8 (M)



JOR 220158

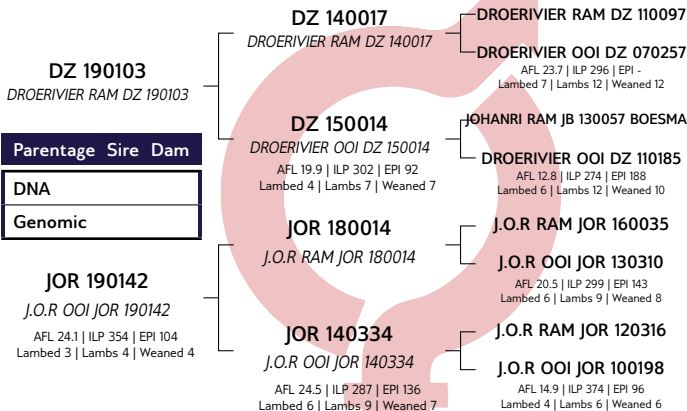
J.O.R RAM JOR 220158

Herd Book	SP
Birth date	2022-08-07
Age	1.5 years
Inbreeding	4.43%
Birth Stat.	1
Progeny	None

ABEL EN CHARLES JORDAAN



Cradock, Eastern Cape
0765206417
charlesj@ovk.co.za



EBV Analysis 2024-01-24

Growth			Reproduction			
Wn. Dir.	Wean Mat.	Post-Wn.	NLW	TWW	AFL	ILP
101	95	100	100	100	107	112
61%	53%	41%	41%	41%	38%	30%

Logix Merit Index	105
Growth Index	102
Reproduction Index	104

Birth Wt.	-
Wean Wt.	30.8kg (107)
Post-Wean	-
Mature Wt.	-
ADG Ind.	-
FCR Ind.	-
Scrotum	-

SELLER REMARKS:

LOT 9 (M)



JOR 220003

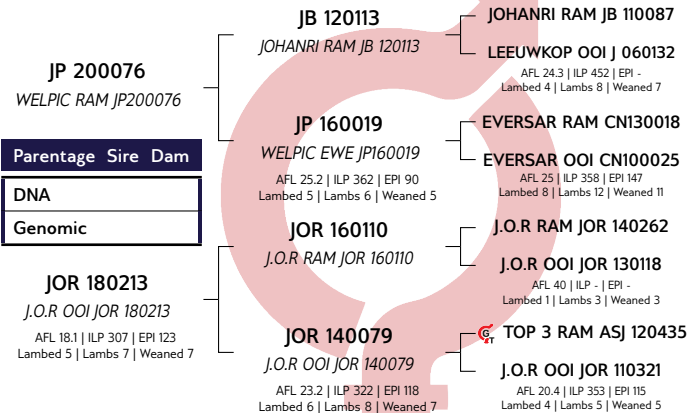
J.O.R RAM JOR 220003

Herd Book	SP
Birth date	2022-08-02
Age	1.5 years
Inbreeding	4.64%
Birth Stat.	1
Progeny	None

ABEL EN CHARLES JORDAAN



Cradock, Eastern Cape
0765206417
charlesj@ovk.co.za



EBV Analysis 2024-01-24

Growth			Reproduction			
Wn. Dir.	Wean Mat.	Post-Wn.	NLW	TWW	AFL	ILP
104	98	104	87	87	107	113
56%	46%	30%	37%	37%	31%	27%

Logix Merit Index	102
Growth Index	106
Reproduction Index	95

Birth Wt.	-
Wean Wt.	33.7kg (117)
Post-Wean	-
Mature Wt.	-
ADG Ind.	-
FCR Ind.	-
Scrotum	-

SELLER REMARKS:

LOT 10 (M)



ABEL EN CHARLES JORDAAN

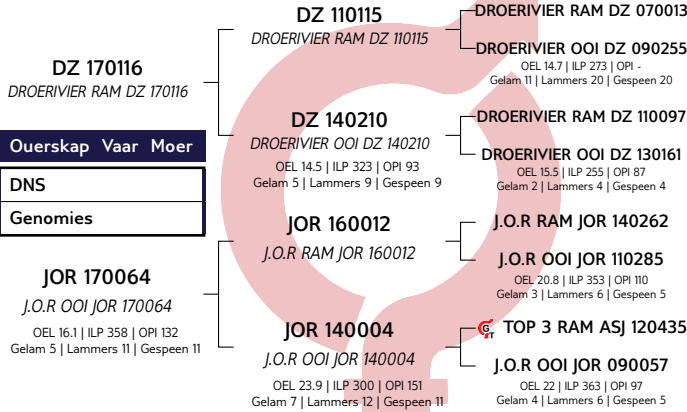


Cradock, Eastern Cape
0765206417
charlesj@ovk.co.za

JOR 220146

J.O.R RAM JOR 220146

Kuddeboek	SP
Geb. dtm	2022-08-07
Oud.	1.5 jaar
Inteling	4.19%
Geb. Status	2
Nageslag	
Geen	



Groeï			Reproduksie			
Spn. Dir.	Spn. Mat.	Na-Spn.	GLS	TWW	OEL	ILP
107	78	103	136	136	121	103
64%	59%	46%	49%	49%	46%	36%

Logix Meriete Indeks	124
Groeï Indeks	99
Reproduksie Indeks	129

Geb. Gew.	3kg
Speen Gew.	26.8kg (93)
Na-Speen	-
Volw. Gew.	-
GDT Ind.	-
VOV Ind.	-
Skrotum	-



VERKOPER OPMERKINGS:

LOT 11 (M)



A.S. JORDAAN

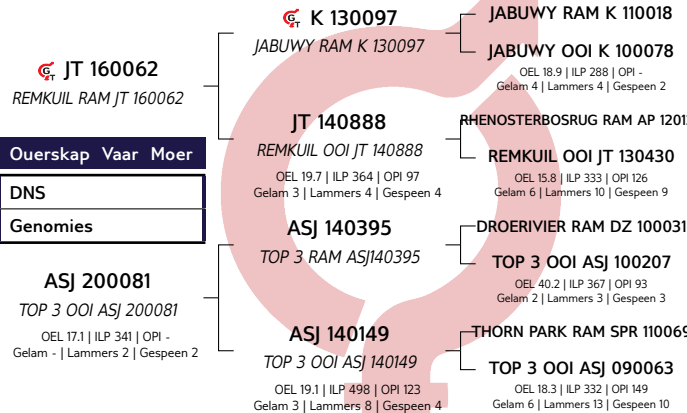


Cradock, Eastern Cape
0828555604
andrewjordan3228@gmail.com

ASJ 220213

TOP 3 RAM ASJ 220213

Kuddeboek	SP
Geb. dtm	2022-08-25
Oud.	1.5 jaar
Inteling	4.53%
Geb. Status	1
Nageslag	
Geen	



Groeï			Reproduksie			
Spn. Dir.	Spn. Mat.	Na-Spn.	GLS	TWW	OEL	ILP
106	93	110	107	107	95	105
62%	56%	44%	48%	48%	46%	37%

Logix Meriete Indeks	109
Groeï Indeks	106
Reproduksie Indeks	105

Geb. Gew.	-
Speen Gew.	40.2kg (109)
Na-Speen	-
Volw. Gew.	-
GDT Ind.	-
VOV Ind.	-
Skrotum	-



VERKOPER OPMERKINGS:

LOT 12 (M)



ABEL EN CHARLES JORDAAN

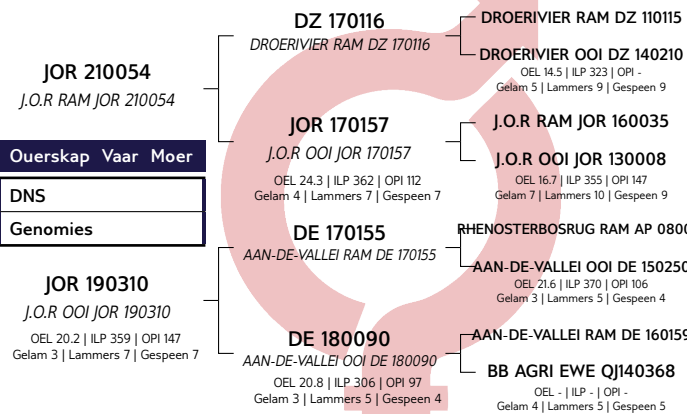


Cradock, Eastern Cape
0765206417
charlesj@ovk.co.za

JOR 220095

J.O.R RAM JOR 220095

Kuddeboek	SP
Geb. dtm	2022-08-06
Oud.	1.5 jaar
Inteling	4.77%
Geb. Status	2
Nageslag	
Geen	



Groeï			Reproduksie			
Spn. Dir.	Spn. Mat.	Na-Spn.	GLS	TWW	OEL	ILP
112	84	108	118	118	108	107
56%	45%	35%	34%	34%	30%	25%

Logix Meriete Indeks	119
Groeï Indeks	108
Reproduksie Indeks	115

Geb. Gew.	-
Speen Gew.	34.1kg (118)
Na-Speen	-
Volw. Gew.	-
GDT Ind.	-
VOV Ind.	-
Skrotum	-



VERKOPER OPMERKINGS:

LOT 13 (M)



ABEL EN CHARLES JORDAAN

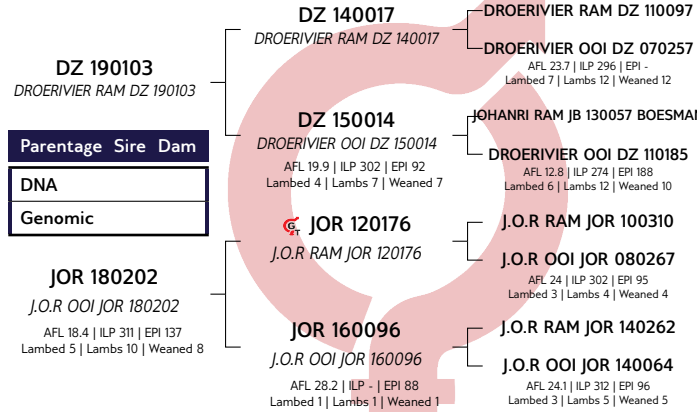


Cradock, Eastern Cape
0765206417
charlesj@ovk.co.za

JOR 220229

J.O.R RAM JOR 220229

Herd Book	SP
Birth date	2022-08-24
Age	1.5 years
Inbreeding	4.43%
Birth Stat.	3
Progeny	None



LOGIX
EBV Analysis 2024-01-24

Growth			Reproduction			
Wn. Dir.	Wean Mat.	Post-Wn.	NLW	TWW	AFL	ILP
99	92	98	99	99	110	108
62%	55%	46%	44%	44%	41%	33%

Logix Merit Index	101
Growth Index	99
Reproduction Index	101

Birth Wt.	-
Wean Wt.	39.2kg (100)
Post-Wean	-
Mature Wt.	-
ADG Ind.	-
FCR Ind.	-
Scrotum	-

SELLER REMARKS:

LOT 14 (M)



A.S. JORDAAN

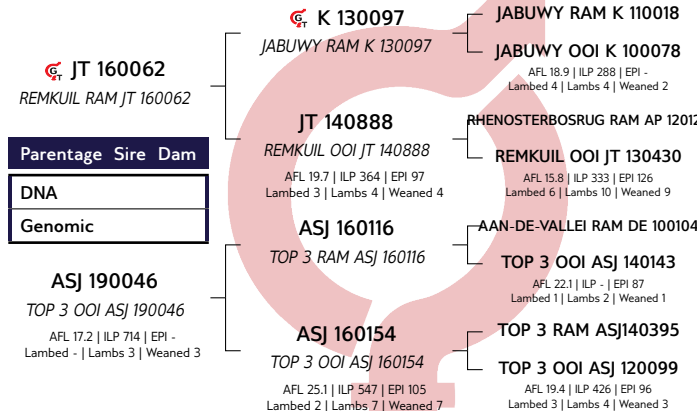


Cradock, Eastern Cape
0828555604
andrewjordan3228@gmail.com

ASJ 220150

TOP 3 RAM ASJ 220150

Herd Book	SP
Birth date	2022-08-25
Age	1.5 years
Inbreeding	4.54%
Birth Stat.	1
Progeny	None



LOGIX
EBV Analysis 2024-01-24

Growth			Reproduction			
Wn. Dir.	Wean Mat.	Post-Wn.	NLW	TWW	AFL	ILP
104	90	110	110	110	91	96
62%	56%	43%	46%	46%	45%	35%

Logix Merit Index	105
Growth Index	102
Reproduction Index	103

Birth Wt.	-
Wean Wt.	39.6kg (107)
Post-Wean	-
Mature Wt.	-
ADG Ind.	-
FCR Ind.	-
Scrotum	-

SELLER REMARKS:

LOT 15 (M)



ABEL EN CHARLES JORDAAN

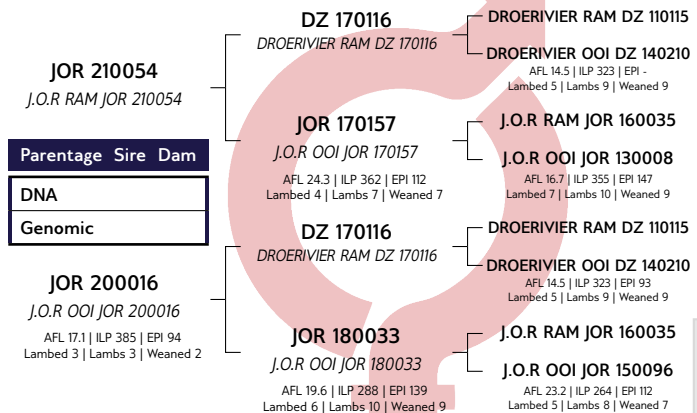


Cradock, Eastern Cape
0765206417
charlesj@ovk.co.za

JOR 220137

J.O.R RAM JOR 220137

Herd Book	SP
Birth date	2022-08-06
Age	1.5 years
Inbreeding	20.72%
Birth Stat.	1
Progeny	None



LOGIX
EBV Analysis 2024-01-24

Growth			Reproduction			
Wn. Dir.	Wean Mat.	Post-Wn.	NLW	TWW	AFL	ILP
115	87	108	108	108	116	116
56%	45%	36%	36%	36%	34%	27%

Logix Merit Index	120
Growth Index	112
Reproduction Index	112

Birth Wt.	-
Wean Wt.	29.9kg (104)
Post-Wean	-
Mature Wt.	-
ADG Ind.	-
FCR Ind.	-
Scrotum	-

SELLER REMARKS:

LOT 16 (M)



ASJ 220170

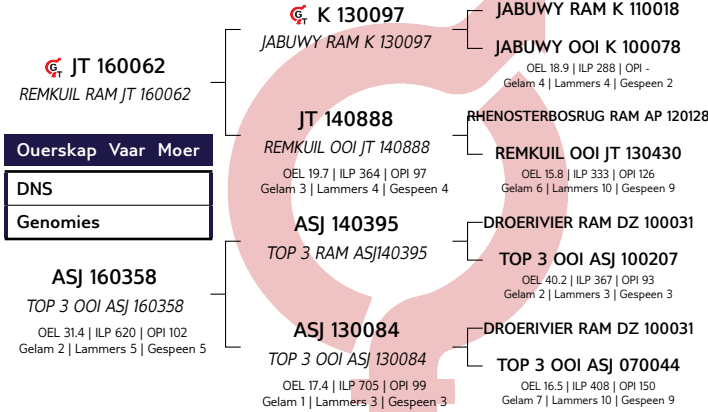
TOP 3 RAM ASJ 220170

Kuddeboek	SP
Geb. dtm	2022-08-25
Oud.	1.5 jaar
Inteling	4.43%
Geb. Status	1
Nageslag	
Geen	

A.S. JORDAAN



Cradock, Eastern Cape
0828555604
andrewjordan3228@gmail.com



Groeï			Reproduksie			
Spn. Dir.	Spn. Mat.	Na-Spn.	GLS	TWW	OEL	ILP
106	93	109	112	112	94	94
63%	58%	45%	48%	48%	47%	37%

Logix Meriete Indeks	110
Groeï Indeks	106
Reproduksie Indeks	108

Geb. Gew.	-
Speen Gew.	42kg (114)
Na-Speen	-
Volw. Gew.	-
GDT Ind.	-
VOV Ind.	-
Skrotum	-



VERKOPER OPMERKINGS:

LOT 17 (M)



JOR 220113

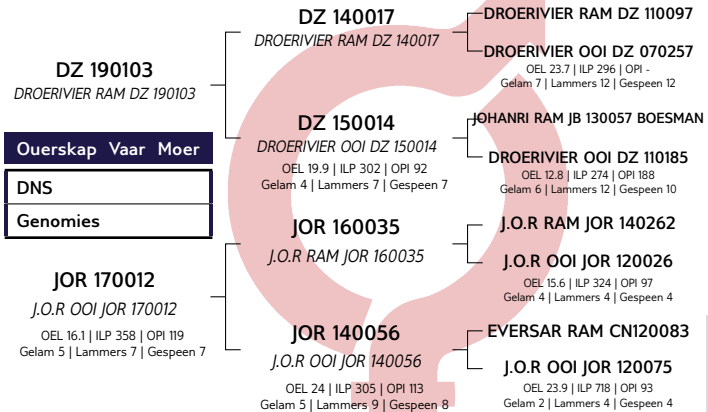
J.O.R RAM JOR 220113

Kuddeboek	SP
Geb. dtm	2022-08-06
Oud.	1.5 jaar
Inteling	4.6%
Geb. Status	2
Nageslag	
Geen	

ABEL EN CHARLES JORDAAN



Cradock, Eastern Cape
0765206417
charlesj@ovk.co.za



Groeï			Reproduksie			
Spn. Dir.	Spn. Mat.	Na-Spn.	GLS	TWW	OEL	ILP
101	98	95	109	109	103	114
63%	56%	43%	44%	44%	40%	32%

Logix Meriete Indeks	111
Groeï Indeks	104
Reproduksie Indeks	113

Geb. Gew.	-
Speen Gew.	30.8kg (107)
Na-Speen	-
Volw. Gew.	-
GDT Ind.	-
VOV Ind.	-
Skrotum	-



VERKOPER OPMERKINGS:

LOT 18 (M)



ASJ 220262

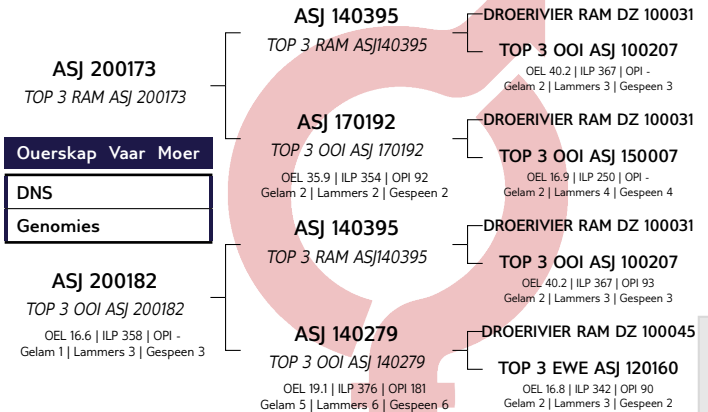
TOP 3 RAM ASJ 220262

Kuddeboek	SP
Geb. dtm	2022-09-06
Oud.	1.4 jaar
Inteling	23.99%
Geb. Status	2
Nageslag	
Geen	

A.S. JORDAAN



Cradock, Eastern Cape
0828555604
andrewjordan3228@gmail.com



Groeï			Reproduksie			
Spn. Dir.	Spn. Mat.	Na-Spn.	GLS	TWW	OEL	ILP
87	93	83	106	106	114	118
57%	44%	31%	34%	34%	32%	26%

Logix Meriete Indeks	98
Groeï Indeks	88
Reproduksie Indeks	108

Geb. Gew.	-
Speen Gew.	37.3kg (101)
Na-Speen	-
Volw. Gew.	-
GDT Ind.	-
VOV Ind.	-
Skrotum	-



VERKOPER OPMERKINGS:

LOT 19 (M)

ASJ 220305

TOP 3 RAM ASJ 220305

COMMERCIAL
This is a commercial animal

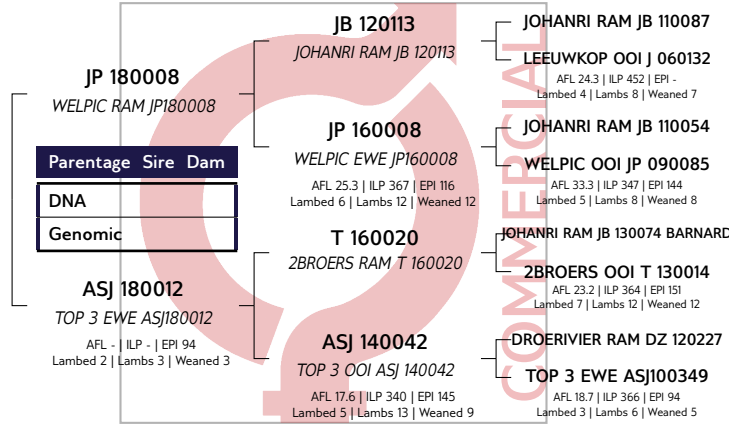


A.S. JORDAAN



Cradock, Eastern Cape
0828555604
andrewjordan3228@gmail.com

Herd Book	NFR
Birth date	2022-09-24
Age	1.4 years
Inbreeding	7.06%
Birth Stat.	3
Progeny	None



EBV Analysis 2024-01-24

SELLER REMARKS: Kommersiele Ram (NFR)

Growth			Reproduction			
Wn. Dir.	Wean Mat.	Post-Wn.	NLW	TWW	AFL	ILP
104	93	101	113	113	102	114
56%	46%	33%	38%	38%	34%	30%

Logix Merit Index	112
Growth Index	104
Reproduction Index	113

Birth Wt.	-
Wean Wt.	53kg (144)
Post-Wean	-
Mature Wt.	-
ADG Ind.	-
FCR Ind.	-
Scrotum	-

LOT 20 (M)

ASJ 220273

TOP 3 RAM ASJ 220273

COMMERCIAL
This is a commercial animal

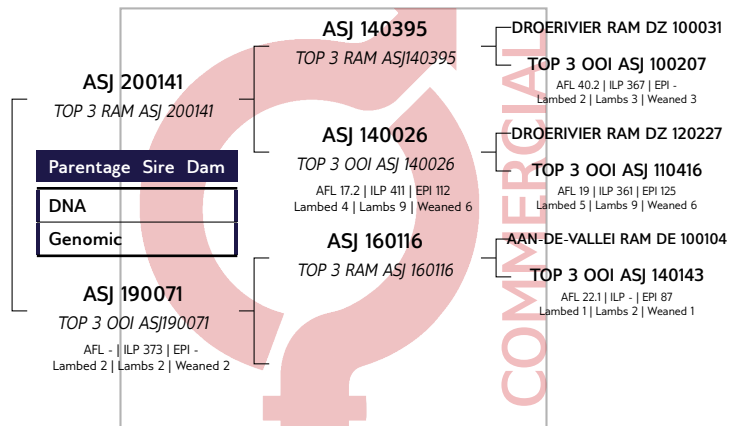


A.S. JORDAAN



Cradock, Eastern Cape
0828555604
andrewjordan3228@gmail.com

Herd Book	NFR
Birth date	2022-09-24
Age	1.4 years
Inbreeding	6.74%
Birth Stat.	1
Progeny	None



EBV Analysis 2024-01-24

SELLER REMARKS: Kommersiele Ram (NFR)

Growth			Reproduction			
Wn. Dir.	Wean Mat.	Post-Wn.	NLW	TWW	AFL	ILP
74	101	67	104	104	107	104
50%	38%	25%	27%	27%	24%	20%

Logix Merit Index	85
Growth Index	78
Reproduction Index	104

Birth Wt.	-
Wean Wt.	44.3kg (120)
Post-Wean	-
Mature Wt.	-
ADG Ind.	-
FCR Ind.	-
Scrotum	-

LOT 21 (M)

ASJ 220162

TOP 3 RAM ASJ 220162

COMMERCIAL
This is a commercial animal

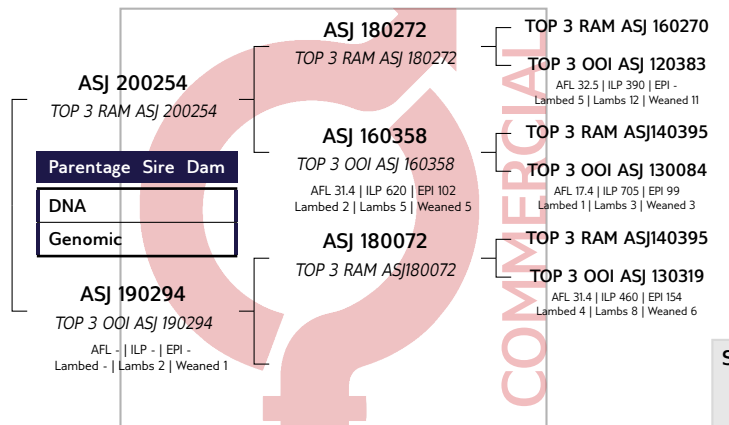


A.S. JORDAAN



Cradock, Eastern Cape
0828555604
andrewjordan3228@gmail.com

Herd Book	NFR
Birth date	2022-08-25
Age	1.5 years
Inbreeding	11.11%
Birth Stat.	2
Progeny	None



EBV Analysis 2024-01-24

SELLER REMARKS: Kommersiele Ram (NFR)

Growth			Reproduction			
Wn. Dir.	Wean Mat.	Post-Wn.	NLW	TWW	AFL	ILP
77	100	68	108	108	108	109
41%	33%	20%	23%	23%	20%	15%

Logix Merit Index	91
Growth Index	81
Reproduction Index	110

Birth Wt.	-
Wean Wt.	-
Post-Wean	-
Mature Wt.	-
ADG Ind.	-
FCR Ind.	-
Scrotum	-

LOT 22 (M)



A.S. JORDAAN



Cradock, Eastern Cape
0828555604
andrewjordan3228@gmail.com

ASJ 220199

TOP 3 RAM ASJ 220199

Kuddeboek
Geb. dtm 2022-08-25
Oud. 1.5 jaar
Inteling 5.92%
Geb. Status 1
Nageslag
Geen

ASJ 200254
TOP 3 RAM ASJ 200254

Ouerskap Vaar Moer
DNS
Genomies

ASJ 200170
TOP 3 EWE ASJ 200170
OEL - | ILP 344 | OPI -
Gelam - | Lammers 2 | Gespeen 2

ASJ 180272
TOP 3 RAM ASJ 180272

ASJ 160358
TOP 3 OOI ASJ 160358
OEL 31.4 | ILP 620 | OPI 102
Gelam 2 | Lammers 5 | Gespeen 5

TOP 3 RAM ASJ 160270

TOP 3 OOI ASJ 120383
OEL 32.5 | ILP 390 | OPI -
Gelam 5 | Lammers 12 | Gespeen 11

TOP 3 RAM ASJ140395

TOP 3 OOI ASJ 130084
OEL 17.4 | ILP 705 | OPI 99
Gelam 1 | Lammers 3 | Gespeen 3

Groeï			Reproduksie			
Spn. Dir.	Spn. Mat.	Na-Spn.	GLS	TWW	OEL	ILP
74	109	69	99	99	103	111
46%	32%	16%	17%	17%	16%	12%

Logix Meriete Indeks	86
Groeï Indeks	83
Reproduksie Indeks	105

Geb. Gew.	-
Speen Gew.	43.5kg (118)
Na-Speen	-
Volw. Gew.	-
GDT Ind.	-
VOV Ind.	-
Skrotum	-

VERKOPER OPMERKINGS: Kommersele Ram (NFR)



EBV Analise 2024-01-24

LOT 23 (M)



A.S. JORDAAN



Cradock, Eastern Cape
0828555604
andrewjordan3228@gmail.com

ASJ 220215

TOP 3 RAM ASJ 220215

Kuddeboek
Geb. dtm 2022-08-25
Oud. 1.5 jaar
Inteling 6.21%
Geb. Status 1
Nageslag
Geen

ASJ 200173
TOP 3 RAM ASJ 200173

Ouerskap Vaar Moer
DNS
Genomies

ASJ 140395
TOP 3 RAM ASJ140395

ASJ 170192
TOP 3 OOI ASJ 170192
OEL 35.9 | ILP 354 | OPI 92
Gelam 2 | Lammers 2 | Gespeen 2

DROERIVIER RAM DZ 100031

TOP 3 OOI ASJ 100207
OEL 40.2 | ILP 367 | OPI -
Gelam 2 | Lammers 3 | Gespeen 3

DROERIVIER RAM DZ 100031

TOP 3 OOI ASJ 150007
OEL 16.9 | ILP 250 | OPI -
Gelam 2 | Lammers 4 | Gespeen 4

Groeï			Reproduksie			
Spn. Dir.	Spn. Mat.	Na-Spn.	GLS	TWW	OEL	ILP
64	116	64	111	111	112	117
39%	28%	22%	23%	23%	21%	17%

Logix Meriete Indeks	90
Groeï Indeks	76
Reproduksie Indeks	122

Geb. Gew.	-
Speen Gew.	39.3kg (107)
Na-Speen	-
Volw. Gew.	-
GDT Ind.	-
VOV Ind.	-
Skrotum	-

VERKOPER OPMERKINGS: Kommersele Ram (NFR)



EBV Analise 2024-01-24

LOT 24 (M)



A.S. JORDAAN



Cradock, Eastern Cape
0828555604
andrewjordan3228@gmail.com

ASJ 220154

TOP 3 RAM ASJ 220154

Kuddeboek
Geb. dtm 2022-08-25
Oud. 1.5 jaar
Inteling 4.77%
Geb. Status 1
Nageslag
Geen

JB 160084
JOHANRI APOLLO

Ouerskap Vaar Moer
DNS
Genomies

ASJ 200094
TOP 3 OOI ASJ 200094
OEL 28.3 | ILP - | OPI -
Gelam - | Lammers 1 | Gespeen 1

JB 140174
JOHANRI RAM JB 140174

JB 120196
JOHANRI OOI JB 120196
OEL - | ILP - | OPI 127
Gelam 8 | Lammers 11 | Gespeen 8

KINKO RAM JS 110387

JOHANRI OOI JB 130121
OEL 15.2 | ILP - | OPI -
Gelam 1 | Lammers 2 | Gespeen 2

JOHANRI RAM JB 110087

JOHANRI OOI JB 100136
OEL - | ILP - | OPI 136
Gelam 8 | Lammers 14 | Gespeen 11

ASJ 140395
TOP 3 RAM ASJ140395

ASJ 160051
TOP 3 EWE ASJ 160051
OEL - | ILP 538 | OPI 111
Gelam 2 | Lammers 5 | Gespeen 3

DROERIVIER RAM DZ 100031

TOP 3 OOI ASJ 100207
OEL 40.2 | ILP 367 | OPI 93
Gelam 2 | Lammers 3 | Gespeen 3

Groeï			Reproduksie			
Spn. Dir.	Spn. Mat.	Na-Spn.	GLS	TWW	OEL	ILP
89	99	85	93	93	100	103
61%	57%	50%	51%	51%	51%	44%

Logix Meriete Indeks	89
Groeï Indeks	91
Reproduksie Indeks	94

Geb. Gew.	-
Speen Gew.	40.2kg (109)
Na-Speen	-
Volw. Gew.	-
GDT Ind.	-
VOV Ind.	-
Skrotum	-

VERKOPER OPMERKINGS: Kommersele Ram (NFR)



EBV Analise 2024-01-24

LOT 25 (M)

COMMERCIAL
This is a commercial animal



A.S. JORDAAN

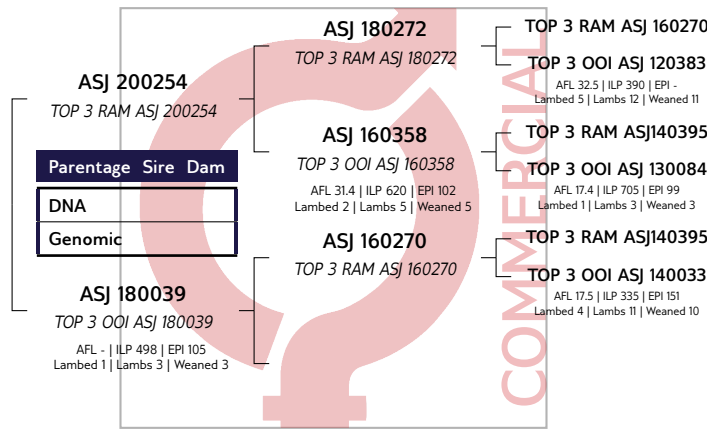


Cradock, Eastern Cape
0828555604
andrewjordan3228@gmail.com

ASJ 220171

TOP 3 RAM ASJ 220171

Herd Book	NFR
Birth date	2022-08-25
Age	1.5 years
Inbreeding	15.61%
Birth Stat.	1
Progeny	None



SELLER REMARKS: Kommersele Ram (NFR)

Growth			Reproduction			
Wn. Dir.	Wean Mat.	Post-Wn.	NLW	TWW	AFL	ILP
75	108	65	110	110	106	110
51%	38%	25%	26%	26%	22%	16%

Logix Merit Index	93
Growth Index	83
Reproduction Index	115

Birth Wt.	-
Wean Wt.	44.7kg (121)
Post-Wean	-
Mature Wt.	-
ADG Ind.	-
FCR Ind.	-
Scrotum	-

LOT 26 (M)

dormer



ABEL EN CHARLES JORDAAN

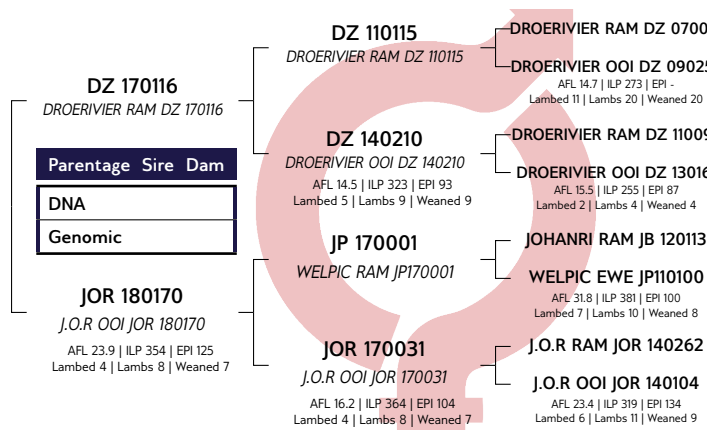


Cradock, Eastern Cape
0765206417
charlesj@ovk.co.za

JOR 220171

J.O.R RAM JOR 220171

Herd Book	SP
Birth date	2022-08-07
Age	1.5 years
Inbreeding	4.77%
Birth Stat.	1
Progeny	None



SELLER REMARKS: Kommersele Ram (NFR)

Growth			Reproduction			
Wn. Dir.	Wean Mat.	Post-Wn.	NLW	TWW	AFL	ILP
102	90	94	119	119	122	109
64%	59%	46%	49%	49%	46%	37%

Logix Merit Index	116
Growth Index	101
Reproduction Index	122

Birth Wt.	-
Wean Wt.	30.8kg (107)
Post-Wean	-
Mature Wt.	-
ADG Ind.	-
FCR Ind.	-
Scrotum	-

LOT 27 (M)

dormer



ABEL EN CHARLES JORDAAN

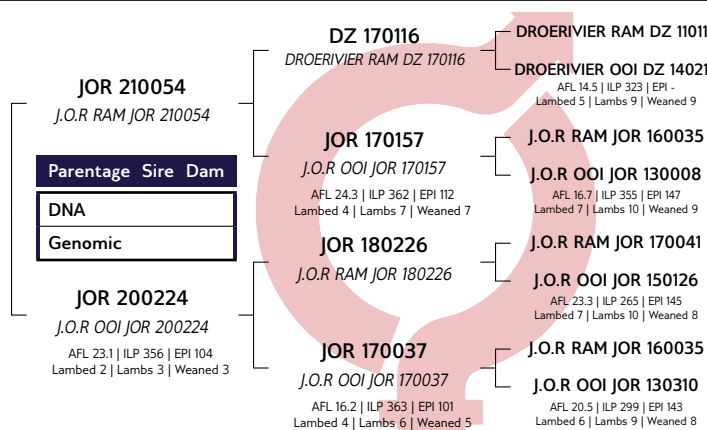


Cradock, Eastern Cape
0765206417
charlesj@ovk.co.za

JOR 220148

J.O.R RAM JOR 220148

Herd Book	SP
Birth date	2022-08-07
Age	1.5 years
Inbreeding	8.64%
Birth Stat.	1
Progeny	None



SELLER REMARKS: Kommersele Ram (NFR)

Growth			Reproduction			
Wn. Dir.	Wean Mat.	Post-Wn.	NLW	TWW	AFL	ILP
113	85	109	109	109	109	117
54%	43%	30%	32%	32%	30%	24%

Logix Merit Index	117
Growth Index	109
Reproduction Index	109

Birth Wt.	-
Wean Wt.	37.7kg (131)
Post-Wean	-
Mature Wt.	-
ADG Ind.	-
FCR Ind.	-
Scrotum	-

LOT 28 (M)



A.S. JORDAAN



Cradock, Eastern Cape
0828555604
andrewjordan3228@gmail.com

ASJ 220149

TOP 3 RAM ASJ 220149

Kuddeboek	SP
Geb. dtm	2022-08-25
Oud.	1.5 jaar
Inteling	4.63%
Geb. Status	1
Nageslag	
Geen	

ASJ 200254
TOP 3 RAM ASJ 200254
Ouerskap Vaar Moer
DNS
Genomies
ASJ 150126
TOP 3 OOI ASJ150126
OEL 16.5 ILP 439 OPI - Gelam 6 Lammers 6 Gespeen 6

ASJ 180272	TOP 3 RAM ASJ 180272	TOP 3 RAM ASJ 160270
TOP 3 OOI ASJ 120383		OEL 32.5 ILP 390 OPI - Gelam 5 Lammers 12 Gespeen 11
ASJ 160358	TOP 3 OOI ASJ 160358	TOP 3 RAM ASJ140395
OEL 31.4 ILP 620 OPI 102 Gelam 2 Lammers 5 Gespeen 5		TOP 3 OOI ASJ 130084
JB 110054	JOHANRI RAM JB 110054	OEL 17.4 ILP 705 OPI 99 Gelam 1 Lammers 3 Gespeen 3
EVERSAR RAM CN 090004		JOHANRI OOI JB 080115
JOHANRI OOI JB 080115		OEL 20 ILP 309 OPI 135 Gelam 7 Lammers 12 Gespeen 10
ASJ 120417	RHENOSTERBOSRUG RAM AP 080269	TOP 3 OOI ASJ 110066
TOP 3 OOI ASJ 120417		OEL 18.1 ILP 337 OPI 96 Gelam 2 Lammers 3 Gespeen 2
OEL 22.9 ILP 242 OPI 97 Gelam 2 Lammers 5 Gespeen 4		

Groeï			Reproduksie			
Spn. Dir.	Spn. Mat.	Na-Spn.	GLS	TWW	OEL	ILP
89	83	86	100	100	96	106
55%	43%	31%	35%	35%	31%	27%

Logix Meriete Indeks	86
Groeï Indeks	84
Reproduksie Indeks	88

Geb. Gew.	-
Speen Gew.	33.1kg (90)
Na-Speen	-
Volw. Gew.	-
GDT Ind.	-
VOV Ind.	-
Skrotum	-



VERKOPER OPMERKINGS: Kommersele Ram (NFR)

LOT 29 (M)



A.S. JORDAAN



Cradock, Eastern Cape
0828555604
andrewjordan3228@gmail.com

ASJ 220202

TOP 3 RAM ASJ 220202

Kuddeboek	SP
Geb. dtm	2022-08-25
Oud.	1.5 jaar
Inteling	4.4%
Geb. Status	2
Nageslag	
Geen	

JB 160084
JOHANRI APOLLO
Ouerskap Vaar Moer
DNS
Genomies
ASJ 200152
TOP 3 OOI ASJ 200152
OEL 28.3 ILP - OPI - Gelam - Lammers 2 Gespeen 2

JB 140174	JOHANRI RAM JB 140174	KINKO RAM JS 110387
JOHANRI OOI JB 130121		OEL 15.2 ILP - OPI - Gelam 1 Lammers 2 Gespeen 2
JB 120196	JOHANRI OOI JB 120196	JOHANRI RAM JB 110087
OEL - ILP - OPI 127 Gelam 8 Lammers 11 Gespeen 8		JOHANRI OOI JB 100136
ASJ 140395	TOP 3 RAM ASJ140395	OEL - ILP - OPI 136 Gelam 8 Lammers 14 Gespeen 11
TOP 3 OOI ASJ 100207		DROERIVIER RAM DZ 100031
TOP 3 RAM ASJ 160010		TOP 3 OOI ASJ 160139
TOP 3 OOI ASJ 170352		OEL 40.2 ILP 367 OPI 93 Gelam 2 Lammers 3 Gespeen 3
OEL 19.4 ILP 362 OPI 91 Gelam 2 Lammers 5 Gespeen 3		TOP 3 RAM ASJ 160010
		TOP 3 OOI ASJ 160139
		OEL 17.9 ILP 474 OPI 94 Gelam 2 Lammers 4 Gespeen 3

Groeï			Reproduksie			
Spn. Dir.	Spn. Mat.	Na-Spn.	GLS	TWW	OEL	ILP
103	97	101	97	97	100	103
63%	58%	51%	52%	52%	51%	45%

Logix Meriete Indeks	103
Groeï Indeks	105
Reproduksie Indeks	99

Geb. Gew.	-
Speen Gew.	45kg (122)
Na-Speen	-
Volw. Gew.	-
GDT Ind.	-
VOV Ind.	-
Skrotum	-



VERKOPER OPMERKINGS: Kommersele Ram (NFR)

LOT 30 (M)



ABEL EN CHARLES JORDAAN



Cradock, Eastern Cape
0765206417
charlesj@ovk.co.za

JOR 220101

J.O.R RAM JOR 220101

Kuddeboek	SP
Geb. dtm	2022-08-06
Oud.	1.5 jaar
Inteling	5.39%
Geb. Status	3
Nageslag	
Geen	

JP 200076
WELPIC RAM JP200076
Ouerskap Vaar Moer
DNS
Genomies
JOR 170163
J.O.R OOI JOR 170163
OEL 22 ILP 379 OPI 121 Gelam 5 Lammers 10 Gespeen 9

JB 120113	JOHANRI RAM JB 120113	JOHANRI RAM JB 110087
LEEUEWKOP OOI J 060132		OEL 24.3 ILP 452 OPI - Gelam 4 Lammers 8 Gespeen 7
JP 160019	WELPIC EWE JP160019	EVERSAR RAM CN130018
OEL 25.2 ILP 362 OPI 90 Gelam 5 Lammers 6 Gespeen 5		EVERSAR OOI CN100025
JOR 160094	J.O.R RAM JOR 160094	OEL 25 ILP 358 OPI 147 Gelam 8 Lammers 12 Gespeen 11
J.O.R OOI JOR 140262		J.O.R RAM JOR 140262
J.O.R OOI JOR 140056		J.O.R OOI JOR 140056
OEL 24 ILP 305 OPI 113 Gelam 5 Lammers 9 Gespeen 8		J.O.R RAM JOR 110036
JOR 120317	J.O.R OOI JOR 120317	J.O.R OOI JOR 100035
OEL 24.1 ILP 367 OPI 121 Gelam 5 Lammers 8 Gespeen 6		OEL 15.9 ILP 315 OPI 98 Gelam 3 Lammers 7 Gespeen 7

Groeï			Reproduksie			
Spn. Dir.	Spn. Mat.	Na-Spn.	GLS	TWW	OEL	ILP
95	93	90	103	103	103	111
57%	47%	30%	36%	36%	31%	26%

Logix Meriete Indeks	99
Groeï Indeks	95
Reproduksie Indeks	102

Geb. Gew.	-
Speen Gew.	29kg (101)
Na-Speen	-
Volw. Gew.	-
GDT Ind.	-
VOV Ind.	-
Skrotum	-



VERKOPER OPMERKINGS: Kommersele Ram (NFR)

LOT 31 (M)



ABEL EN CHARLES JORDAAN



Cradock, Eastern Cape
0765206417
charlesj@ovk.co.za



JOR 220072

J.O.R RAM JOR 220072

Herd Book	SP
Birth date	2022-08-05
Age	1.5 years
Inbreeding	4.06%
Birth Stat.	2
Progeny	None

JB 180054
JOHANRI RAM JB180054

Parentage Sire Dam

DNA

Genomic

JOR 200037
J.O.R OOI JOR 200037

AFL 17.4 | ILP 349 | EPI 115
Lambd 3 | Lams 6 | Weaned 5

JB 160040
JOHANRI RAM JB160040

JB 100034
JOHANRI OOI JB 100034

DZ 170116
DROERIVIER RAM DZ 170116

JOR 150064
J.O.R OOI JOR 150064

JOHANRI RAM JB 140174
JOHANRI OOI JB 130068

DANELLA RAM VZ 070053
JOHANRI OOI JB 050110

DROERIVIER RAM DZ 110115
DROERIVIER OOI DZ 140210

J.O.R RAM JOR 130301
J.O.R OOI JOR 110032



SELLER REMARKS: Kommersiele Ram (NFR)

Growth			Reproduction			
Wn. Dir.	Wean Mat.	Post-Wn.	NLW	TWW	AFL	ILP
109	93	107	106	106	103	98
63%	56%	50%	44%	44%	41%	33%

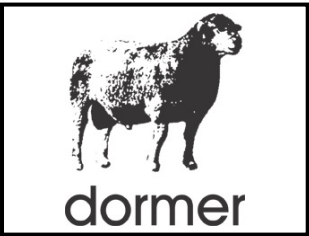
Logix Merit Index **112**

Growth Index **109**

Reproduction Index **107**

Birth Wt.	-
Wean Wt.	39.1kg (136)
Post-Wean	-
Mature Wt.	-
ADG Ind.	-
FCR Ind.	-
Scrotum	-

LOT 32 (M)



ABEL EN CHARLES JORDAAN



Cradock, Eastern Cape
0765206417
charlesj@ovk.co.za



JOR 220107

J.O.R RAM JOR 220107

Herd Book	SP
Birth date	2022-08-06
Age	1.5 years
Inbreeding	6.88%
Birth Stat.	2
Progeny	None

JOR 210054
J.O.R RAM JOR 210054

Parentage Sire Dam

DNA

Genomic

JOR 190187
J.O.R OOI JOR 190187

AFL 23.9 | ILP 349 | EPI 112
Lambd 3 | Lams 5 | Weaned 5

DZ 170116
DROERIVIER RAM DZ 170116

JOR 170157
J.O.R OOI JOR 170157

JOR 180166
J.O.R RAM JOR 180166

JOR 130311
J.O.R OOI JOR 130311

DROERIVIER RAM DZ 110115
DROERIVIER OOI DZ 140210

J.O.R RAM JOR 160035
J.O.R OOI JOR 130008

WELPIC RAM JP170001
J.O.R OOI JOR 170083

YAN RENSBURG RAM J 070024
J.O.R OOI JOR 080022



SELLER REMARKS: Kommersiele Ram (NFR)

Growth			Reproduction			
Wn. Dir.	Wean Mat.	Post-Wn.	NLW	TWW	AFL	ILP
107	95	102	102	102	109	112
55%	45%	34%	35%	35%	32%	26%

Logix Merit Index **112**

Growth Index **108**

Reproduction Index **108**

Birth Wt.	3kg
Wean Wt.	32kg (111)
Post-Wean	-
Mature Wt.	-
ADG Ind.	-
FCR Ind.	-
Scrotum	-

LOT 33 (M)



ABEL EN CHARLES JORDAAN



Cradock, Eastern Cape
0765206417
charlesj@ovk.co.za



JOR 220227

J.O.R RAM JOR 220227

Herd Book	SP
Birth date	2022-08-24
Age	1.5 years
Inbreeding	4.49%
Birth Stat.	2
Progeny	None

DZ 190103
DROERIVIER RAM DZ 190103

Parentage Sire Dam

DNA

Genomic

JOR 180221
J.O.R OOI JOR 180221

AFL 18 | ILP 445 | EPI 98
Lambd 3 | Lams 5 | Weaned 5

DZ 140017
DROERIVIER RAM DZ 140017

DZ 150014
DROERIVIER OOI DZ 150014

JOR 170041
J.O.R RAM JOR 170041

JOR 150037
J.O.R OOI JOR 150037

DROERIVIER RAM DZ 110097
DROERIVIER OOI DZ 070257

JOHANRI RAM JB 130057 BOESMAN
DROERIVIER OOI DZ 110185

J.O.R RAM JOR 160012
J.O.R OOI JOR 120377

J.O.R RAM JOR 130266
J.O.R OOI JOR 100058



SELLER REMARKS: Kommersiele Ram (NFR)

Growth			Reproduction			
Wn. Dir.	Wean Mat.	Post-Wn.	NLW	TWW	AFL	ILP
101	88	97	108	108	108	96
61%	52%	42%	40%	40%	37%	29%

Logix Merit Index **105**

Growth Index **99**

Reproduction Index **105**

Birth Wt.	-
Wean Wt.	42.6kg (109)
Post-Wean	-
Mature Wt.	-
ADG Ind.	-
FCR Ind.	-
Scrotum	-

LOT 34 (M)



ABEL EN CHARLES JORDAAN

Elite
Cradock, Eastern Cape
0765206417
charlesj@ovk.co.za



JOR 220024

J.O.R RAM JOR 220024

Kuddeboek	SP
Geb. dtm	2022-08-03
Oud.	1.5 jaar
Inteling	4.78%
Geb. Status	3
Nageslag	
Geen	

JP 200076
WELPIC RAM JP200076

Ouerskap Vaar Moer

DNS

Genomies

JOR 170174
J.O.R OOI JOR 170174
OEL 31.4 | ILP 432 | OPI 92
Gelum 3 | Lammers 7 | Gespeen 4

JB 120113
JOHANRI RAM JB 120113

JP 160019
WELPIC EWE JP160019
OEL 25.2 | ILP 362 | OPI 90
Gelum 5 | Lammers 6 | Gespeen 5

JOR 130301
J.O.R RAM JOR 130301

JOR 130246
J.O.R OOI JOR 130246
OEL 23.2 | ILP 404 | OPI 111
Gelum 4 | Lammers 6 | Gespeen 6

JOHANRI RAM JB 110087
LEEUEWKOP OOI J 060132
OEL 24.3 | ILP 452 | OPI -
Gelum 4 | Lammers 8 | Gespeen 7

EVERSAR RAM CN130018
EVERSAR OOI CN100025
OEL 25 | ILP 358 | OPI 147
Gelum 8 | Lammers 12 | Gespeen 11

RHENOSTERBOSRUG RAM AP 080018
J.O.R OOI JOR 110069
OEL 16 | ILP 372 | OPI 101
Gelum 5 | Lammers 9 | Gespeen 5

J.O.R RAM JOR 110163
J.O.R OOI JOR 100124
OEL 14.9 | ILP 339 | OPI 99
Gelum 5 | Lammers 7 | Gespeen 7



VERKOPER OPMERKINGS: Kommersiele Ram (NFR)

Groeï			Reproduksie			
Spn. Dir.	Spn. Mat.	Na-Spn.	GLS	TWW	OEL	ILP
96	104	101	103	103	109	116
56%	45%	32%	35%	35%	30%	27%

Logix Meriete Indeks	107	Geb. Gew.	-
Groeï Indeks	102	Speen Gew.	30.4kg (106)
Reproduksie Indeks	113	Na-Speen	-
		Volw. Gew.	-
		GDT Ind.	-
		VOV Ind.	-
		Skrotum	-

LOT 35 (M)



ABEL EN CHARLES JORDAAN

Elite
Cradock, Eastern Cape
0765206417
charlesj@ovk.co.za



JOR 220112

J.O.R RAM JOR 220112

Kuddeboek	SP
Geb. dtm	2022-08-06
Oud.	1.5 jaar
Inteling	4.6%
Geb. Status	2
Nageslag	
Geen	

DZ 190103
DROERIVIER RAM DZ 190103

Ouerskap Vaar Moer

DNS

Genomies

JOR 170012
J.O.R OOI JOR 170012
OEL 16.1 | ILP 358 | OPI 119
Gelum 3 | Lammers 7 | Gespeen 7

DZ 140017
DROERIVIER RAM DZ 140017

DZ 150014
DROERIVIER OOI DZ 150014
OEL 19.9 | ILP 302 | OPI 92
Gelum 4 | Lammers 7 | Gespeen 7

JOR 160035
J.O.R RAM JOR 160035

JOR 140056
J.O.R OOI JOR 140056
OEL 24 | ILP 305 | OPI 113
Gelum 5 | Lammers 9 | Gespeen 8

DROERIVIER RAM DZ 110097
DROERIVIER OOI DZ 070257
OEL 23.7 | ILP 296 | OPI -
Gelum 7 | Lammers 12 | Gespeen 12

JOHANRI RAM JB 130057 BOESMAN
DROERIVIER OOI DZ 110185
OEL 12.8 | ILP 274 | OPI 188
Gelum 6 | Lammers 12 | Gespeen 10

J.O.R RAM JOR 140262
J.O.R OOI JOR 120026
OEL 15.6 | ILP 324 | OPI 97
Gelum 4 | Lammers 4 | Gespeen 4

EVERSAR RAM CN120083
J.O.R OOI JOR 120075
OEL 23.9 | ILP 718 | OPI 93
Gelum 2 | Lammers 4 | Gespeen 4



VERKOPER OPMERKINGS: Kommersiele Ram (NFR)

Groeï			Reproduksie			
Spn. Dir.	Spn. Mat.	Na-Spn.	GLS	TWW	OEL	ILP
105	97	97	109	109	103	114
63%	56%	43%	44%	44%	40%	32%

Logix Meriete Indeks	113	Geb. Gew.	-
Groeï Indeks	107	Speen Gew.	36.2kg (126)
Reproduksie Indeks	113	Na-Speen	-
		Volw. Gew.	-
		GDT Ind.	-
		VOV Ind.	-
		Skrotum	-

LOT 36 (M)



A.S. JORDAAN

Elite
Cradock, Eastern Cape
0828555604
andrewjordan3228@gmail.com



ASJ 220224

TOP 3 RAM ASJ 220224

Kuddeboek	
Geb. dtm	2022-09-06
Oud.	1.4 jaar
Inteling	5.92%
Geb. Status	2
Nageslag	
Geen	

ASJ 200173
TOP 3 RAM ASJ 200173

Ouerskap Vaar Moer

DNS

Genomies

ASJ 200002
TOP 3 EWE ASJ 200002
OEL - | ILP 358 | OPI -
Gelum - | Lammers 3 | Gespeen 3

ASJ 140395
TOP 3 RAM ASJ140395

ASJ 170192
TOP 3 OOI ASJ 170192
OEL 35.9 | ILP 354 | OPI 92
Gelum 2 | Lammers 2 | Gespeen 2

DROERIVIER RAM DZ 100031
TOP 3 OOI ASJ 100207
OEL 40.2 | ILP 367 | OPI -
Gelum 2 | Lammers 3 | Gespeen 3

DROERIVIER RAM DZ 100031
TOP 3 OOI ASJ 150007
OEL 16.9 | ILP 250 | OPI -
Gelum 2 | Lammers 4 | Gespeen 4



VERKOPER OPMERKINGS: Kommersiele Ram (NFR)

Groeï			Reproduksie			
Spn. Dir.	Spn. Mat.	Na-Spn.	GLS	TWW	OEL	ILP
71	109	67	99	99	106	119
50%	37%	22%	23%	23%	21%	17%

Logix Meriete Indeks	85	Geb. Gew.	-
Groeï Indeks	80	Speen Gew.	40.2kg (109)
Reproduksie Indeks	106	Na-Speen	-
		Volw. Gew.	-
		GDT Ind.	-
		VOV Ind.	-
		Skrotum	-

LOT 37 (M)

ASJ 220128

TOP 3 RAM ASJ 220128

COMMERCIAL
This is a commercial animal

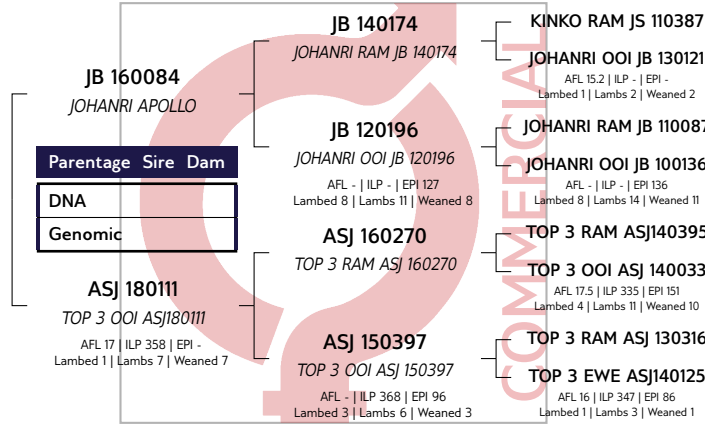


Herd Book	NFR
Birth date	2022-08-25
Age	1.5 years
Inbreeding	4.46%
Birth Stat.	2
Progeny	None

A.S. JORDAAN



Cradock, Eastern Cape
0828555604
andrewjordan3228@gmail.com



Growth			Reproduction			
Wn. Dir.	Wean Mat.	Post-Wn.	NLW	TWW	AFL	ILP
90	95	87	99	99	103	97
64%	60%	54%	53%	53%	51%	45%

Logix Merit Index	92
Growth Index	91
Reproduction Index	97

Birth Wt.	-
Wean Wt.	34.8kg (94)
Post-Wean	-
Mature Wt.	-
ADG Ind.	-
FCR Ind.	-
Scrotum	-

SELLER REMARKS: Komersiele Ram (NFR)

LOGIX
EBV Analysis 2024-01-24

LOT 38 (M)

ASJ 220142

TOP 3 RAM ASJ 220142

dormer

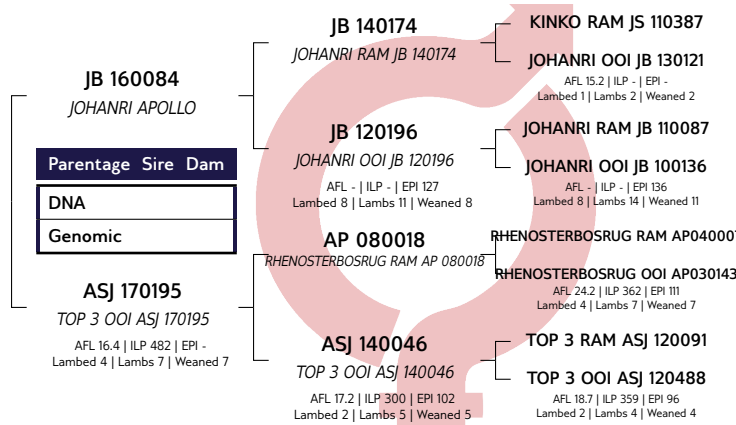


Herd Book	SP
Birth date	2022-08-25
Age	1.5 years
Inbreeding	4.26%
Birth Stat.	1
Progeny	None

A.S. JORDAAN



Cradock, Eastern Cape
0828555604
andrewjordan3228@gmail.com



Growth			Reproduction			
Wn. Dir.	Wean Mat.	Post-Wn.	NLW	TWW	AFL	ILP
101	97	104	102	102	95	99
64%	61%	56%	55%	55%	54%	48%

Logix Merit Index	103
Growth Index	103
Reproduction Index	102

Birth Wt.	-
Wean Wt.	35.6kg (97)
Post-Wean	-
Mature Wt.	-
ADG Ind.	-
FCR Ind.	-
Scrotum	-

SELLER REMARKS: Komersiele Ram (NFR)

LOGIX
EBV Analysis 2024-01-24