

AMPTELIKE VEILINGSKATALOGUS VIR /
OFFICIAL AUCTION CATALOGUE FOR

NASIONALE ELITE IDF VEILING

BLOEMSKOU GRONDE
27 April 2024

All Pedigree- and Performance Data is as recorded on LOGIX on 18 April 2024





ANIMAL, OWNER AND PEDIGREE INFORMATION

LOT 1 (F)

SUPER-SHEEP BREEDER
Pretoria, Gauteng
082 123 4680
lambchops@gmail.com

ABC 220001

Herd Book	SP
Birth date	2022-06-15
Age	1.3 jaar
Inbreeding	6.63%
Birth Stat.	3
AFL	12.4m
ILP	-
EPI	100
Lambled	1
Lambs	2
Weaned	0

ABC 190216 (2)

ABC 170012 (3)

ABC 160020

ABC 160020

ABC 160020

SKP 140197

SKP 110036

SKP 120001

SKP 130164

SHP 130073

SHP 130102

SHP 130064

SPR 140018

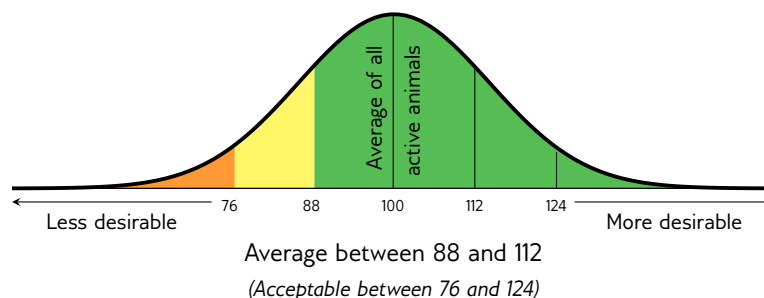
1. Lot Number & sex (mixed lots)
2. GT - animal is genomically tested
3. Animal's identification number
4. Animal's photo (or owner's logo)
5. Breed's logo
6. Animal's information
 - Herd book section
 - Birth date
 - Animal's age
 - Animal's inbreeding percentage
 - Birth status
7. Parentage Verification - a green tick (✓) indicates that the sire and/or dam has been verified via microsatellite (DNA) and/or Genomic testing
8. Owner's logo
9. QR code that links to animal's information on SASmallStock.co.za
10. Additional information (Ewes)
 - Age at first lambing, Interlambing Period, and Ewe Production Index
 - Number of times lambled, lambs born and lambs weaned
11. Additional information (Rams)
 - Number of progeny in the herd, total progeny and number of herds used
12. Owner's most recent Elite Award
13. Owner's information
14. Dam-line information
 - Age at First Lambing, Interlambing Period, and Ewe Production Index
 - Number of times lambled, lambs born and lambs weaned
15. Four (4) generation pedigree

EXPLANATION OF BREEDING VALUES AND SELECTION VALUES FORILE DE FRANCE

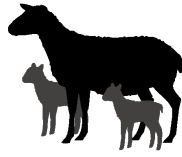
Traits	Description/Measurement	Goal	General Guidelines					
			76	88	100	112	124	
Indices	1 Logix Merit Index	Total Merit Index	Balanced, profitable animals	Loss				Profit
	2 Growth Index	Direct and maternal growth potential	Adequate growth	Light			*	Heavy
	3 Reproduction Index	Overall ewe fertility	Fertile ewes	Poor				Good
Growth	4 Pre-Wean Direct	Pre-wean weight (lamb's ability)	Heavy lambs at pre-weaning	Light				Heavy
	5 Pre-Wean Maternal	Pre-wean weight (ewe's ability)	Good mothering ability	Poor			*	Good
	6 Weaning Weight Direct	Wean weight (lamb's ability)	Heavy weaner lambs	Light				Heavy
	7 Weaning Weight Maternal	Wean weight (ewe's ability)	Good mothering ability	Poor			*	Good
Fertility	8 Post-Wean Direct	Post-wean weight (lamb's ability)	Adequate post-wean growth	Light			*	Heavy
	9 Number of Lambs Weaned	Multiples at birth and good survival	Large number of lambs weaned	Few				Many
	10 Total Weight Weaned	Good survival and heavy weights	Heavy lambs weaned	Light				Heavy
	11 Age at First Lambing	Early sexual maturity	Fertile young ewes	Late				Early
	12 Interlambing Period	Early pregnancy in season	Fertile ewes	Long				Short

* Determined by own selection goal

INTERPRETATION OF BREEDING VALUE INDICES



SELECTION INDICES FOR ILE DE FRANCE



1 L♀GIX Merit Index

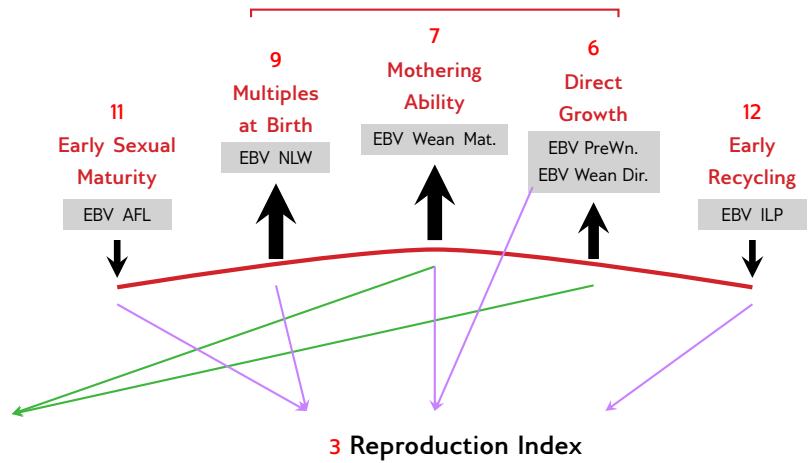
A total merit index for the breed for selection of balanced, profitable animals in both growth and reproduction.

2 Growth Index

Selection for:

- Fast growth potential
- Good maternal ability
- Heavy lambs at weaning
- Early market-readiness

Total Weight Weaned (10)



3 Reproduction Index

Selection for:

- Early sexual maturity
- Regular pregnancies
- Multiples at birth
- Good mothering ability
- Heavy lambs at weaning

GENETIC VALUES - BUILDING BLOCKS

Growth					Reproduction			
PreWn. Dir	PreWn. Mat.	Wn. Dir.	Wean Mat.	Post-Wn.	NLW	TWW	AFL	ILP
104	101	108	99	102	115	102	134	110
65%	51%	64%	45%	51%	52%	45%	36%	40%
4	5	6	7	8	9	10	11	12

The Logix Selection Indices are compiled of specific genetic building blocks, as indicated in the selection index descriptions above. These genetic building blocks are indicated in the catalogue by their Breeding Value indices and accuracies.



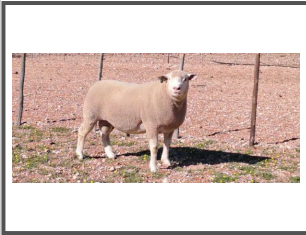
NASIONALE ELITE IDF VEILING

BLOEMSKOU GRONDE 27 April 2024



LOT 1 (M)

GE 220058 GERUNE RAM GE220058



Herd Book	SP
Birth date	2022-08-09
Age	1.7 years
Inbreeding	19.17%
Birth Stat.	2
Progeny	None

GERUNE FAMILIE TRUST



Prieska, Northern Cape
0825539881
lamontboerdery@gmail.com

GE 200047 (1) GERUNE RAM GE200047
Parentage Sire Dam
DNA
Genomic

GE 200068 (2) GERUNE EWE GE210068
AFL 23.7 ILP - EPI 97 Lambd 1 Lambs 2 Weaned 2

GE 180048 GERUNE RAM GE180048	ROSVILLE RAM ROS160048
GERUNE EWE GE210150 AFL 30 ILP 361 EPI - Lambd 4 Lambs 4 Weaned 4	GERUNE EWE GE210150
GE 150151 GERUNE EWE GE150151	GERUNE RAM GE130064
AFL 19.8 ILP 382 EPI 106 Lambd 6 Lambs 11 Weaned 9	DENVOR EWE DTC 110187 AFL 22.4 ILP 355 EPI 124 Lambd 6 Lambs 7 Weaned 7
GE 180048 GERUNE RAM GE180048	ROSVILLE RAM ROS160048
GERUNE EWE GE210150	GERUNE EWE GE210150
AFL 30 ILP 361 EPI 100 Lambd 4 Lambs 4 Weaned 4	GERUNE RAM GE130086
GE 150175 GERUNE EWE GE150175	GERUNE OOI GE130008
AFL 17.9 ILP 263 EPI 119 Lambd 8 Lambs 13 Weaned 9	AFL 15.2 ILP 606 EPI 105 Lambd 4 Lambs 6 Weaned 4

Growth					Reproduction			
PreWn. Dir	PreWn. Mat.	Wn. Dir.	Wean Mat.	Post-Wn.	NLW	TWW	AFL	ILP
122	94	119	97	117	111	111	106	90
60%	36%	58%	30%	26%	26%	26%	20%	19%



EBV Analysis 2024-04-04

Logix Merit Index	121
Growth Index	116
Reproduction Index	108

SELLER REMARKS: Ram met baie goeie toplyn en syfers. Van die laaste genetika van Geruné Ile de France stoet.

LOT 2 (M)

DTC 230032 DENVOR RAM DTC 230032



Herd Book	SP
Birth date	2023-03-24
Age	1.1 years
Inbreeding	10.25%
Birth Stat.	1
Progeny	None

CLARKE SD & TA



Stanford, Western Cape
0824417748
bclarke@mweb.co.za

DTC 210179 (2) DENVOR RAM DTC 210179
Parentage Sire Dam
DNA
Genomic

DTC 180084 (1) DENVOR EWE DTC180084
AFL 23 ILP 250 EPI 105 Lambd 5 Lambs 7 Weaned 7

DTC 190120 DENVOR RAM DTC190120	DENVOR RAM DTC 170339
DENVOR EWE DTC170328 AFL 21.7 ILP 322 EPI - Lambd 4 Lambs 6 Weaned 4	DENVOR EWE DTC 170328
DTC 180006 DENVOR EWE DTC180006	JANCOR RAM JCI50077
AFL - ILP - EPI 132 Lambd 5 Lambs 14 Weaned 12	DENVOR EWE DTC150011 AFL 17.6 ILP 311 EPI 99 Lambd 4 Lambs 6 Weaned 4
DTC 160015 DENVOR RAM DTC 160015	ROSVILLE RAM ROS 130047
DENVOR EWE DTC 110168 AFL - ILP - EPI 126 Lambd 5 Lambs 7 Weaned 7	DENVOR EWE DTC 110168
DTC 160941 DENVOR EWE DTC 160941	KLIPRAND RAM KR 120051
AFL 22.9 ILP - EPI 88 Lambd 1 Lambs 1 Weaned 1	DENVOR EWE DTC 120007 AFL - ILP - EPI 106 Lambd 4 Lambs 8 Weaned 6

Growth					Reproduction			
PreWn. Dir	PreWn. Mat.	Wn. Dir.	Wean Mat.	Post-Wn.	NLW	TWW	AFL	ILP
97	107	98	107	110	102	102	106	101
59%	40%	59%	34%	52%	32%	32%	24%	23%



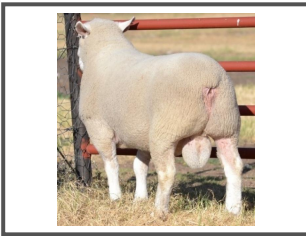
EBV Analysis 2024-04-04

Logix Merit Index	102
Growth Index	102
Reproduction Index	106

SELLER REMARKS: Jong ram met goeie vleiseienskappe - goeie genetika.

LOT 3 (M)

ROS 220021 ROSVILLE RAM ROS220021



Herd Book	SP
Birth date	2022-05-28
Age	1.9 years
Inbreeding	6.99%
Birth Stat.	2
Progeny	
In Herd	10
Total	10
Herds Used	1

W.H. OOSTHUIZEN



Vryburg, North West
0824521520
rossville.boerdery@gmail.com

DTC 200072 (2) DENVOR RAM DTC200072
Parentage Sire Dam
DNA
Genomic

ROS 170015 (2) ROSVILLE EWE ROS170015
AFL 21.6 ILP 359 EPI 105 Lambd 5 Lambs 9 Weaned 6

DTC 170361 DENVOR RAM DTC 170361	DENVOR RAM DTC150104
DENVOR EWE DTC 110200 AFL - ILP - EPI - Lambd 9 Lambs 17 Weaned 17	DENVOR EWE DTC 110200
DTC 170171 DENVOR EWE DTC 170171	DENVOR RAM DTC 160001
AFL 24.1 ILP 276 EPI 131 Lambd 5 Lambs 10 Weaned 9	DENVOR EWE DTC 100030 AFL - ILP - EPI 119 Lambd 11 Lambs 16 Weaned 10
DTC 150391 DENVOR RAM DTC150391	DENVOR RAM DTC 100085
DENVOR EWE DTC 130786 AFL - ILP - EPI 90 Lambd 1 Lambs - Weaned -	DENVOR EWE DTC 130786
DTC 120196 DENVOR OOI DTC120196	DENVOR RAM DTC 110069
AFL 45.5 ILP 369 EPI 104 Lambd 4 Lambs 8 Weaned 8	DENVOR EWE DTC 110043 AFL - ILP - EPI 91 Lambd 3 Lambs 4 Weaned 4

Growth					Reproduction			
PreWn. Dir	PreWn. Mat.	Wn. Dir.	Wean Mat.	Post-Wn.	NLW	TWW	AFL	ILP
107	92	125	96	119	109	109	99	96
65%	43%	64%	36%	40%	35%	35%	29%	25%



EBV Analysis 2024-04-04

Logix Merit Index	115
Growth Index	113
Reproduction Index	109

SELLER REMARKS: Potshot is in stoet gebruik. 1 Saad aandeel word uit gehou. Reeds getap. Sy ma is die bekende ROS1715 wat al verskeie stoet ramme geteel het. LMI van 117.



NASIONALE ELITE IDF VEILING

BLOEMSKOU GRONDE 27 April 2024



LOT 4 (M)



F.J. VAN WYK

Burgersdorp, Eastern Cape
0828262840
fjvanwyk.highlands@gmail.com



FJ 220132

ILE DE FRA RAM FJ220132

Kuddeboek	SP
Geb. dtm	2022-08-29
Oud.	1.7 jaar
Inteling	7.6%
Geb. Status	1
Nageslag	
Geen	

FJ 210087 (2)

ILE DE FRA RAM Fj 210087

Ouerskap Vaar Moer

DNS

Genomies

FJ 190099 (2)

ILE DE FRA EWE FJ190099

OEL 16.6 | ILP 340 | OPI 99
Gelam 3 | Lammers 4 | Gespeen 4

FJ 200036

ILE DE FRA RAM FJ200036

DTC 171275

DENVOR EWE DTC 171275
OEL 33.3 | ILP 341 | OPI 120
Gelam 4 | Lammers 6 | Gespeen 6

FJ 170025

ILE DE FRA RAM FJ170025

DTC 171549

DENVOR EWE DTC171549
OEL 18.2 | ILP 294 | OPI 108
Gelam 3 | Lammers 5 | Gespeen 5

ILE DE FRA RAM FJ180004

DENVOR EWE DTC 160822
OEL 24.4 | ILP 292 | OPI -
Gelam 5 | Lammers 7 | Gespeen 7

DENVOR RAM DTC150104

DENVOR EWE DTC 140603
OEL 18.7 | ILP 301 | OPI 121
Gelam 4 | Lammers 10 | Gespeen 9

ILE DE FRA RAM FJ140026

ILE DE FRA OOI FJ 130077
OEL 26.1 | ILP 272 | OPI 121
Gelam 6 | Lammers 9 | Gespeen 9

JANCOR RAM JCI50060

DENVOR EWE DTC 140123
OEL 19.8 | ILP 316 | OPI 143
Gelam 7 | Lammers 10 | Gespeen 10

Groeï					Reproduksie			
VSpn. Dir	VSpn. Mat	Spn. Dir	Spn. Mat.	Na-Spn.	GLS	TWW	OEL	ILP
109	90	124	94	122	84	84	104	99
62%	39%	61%	33%	25%	31%	31%	24%	23%



EBV Analise 2024-04-04

Logix Meriete Indeks **99**

Groeï Indeks **113**

Reproduksie Indeks **93**

VERKOPER OPMERKINGS:

LOT 5 (M)



W.H. VAN HUYSSTEEN

Vryburg, Northern Cape
0834448074
vanhuyssteen.amelia@gmail.com



WH 230030

OSMAND RAM WH230030

Kuddeboek	SP
Geb. dtm	2023-04-26
Oud.	1 jaar
Inteling	7.86%
Geb. Status	2
Nageslag	
Geen	

GE 200047 (1)

GERUNE RAM GE200047

Ouerskap Vaar Moer

DNS

Genomies

WH 160063 (1)

OSMAND EWE WH160063

OEL 17.8 | ILP 465 | OPI 108
Gelam 5 | Lammers 8 | Gespeen 7

GE 180048

GERUNE RAM GE180048

GE 150151

GERUNE EWE GE150151
OEL 19.8 | ILP 382 | OPI 106
Gelam 6 | Lammers 11 | Gespeen 9

WH 140001

GERUNE RAM WH140001

DTC 130177

DENVOR EWE DTC130177
OEL 30.3 | ILP 418 | OPI 112
Gelam 4 | Lammers 6 | Gespeen 6

ROSVILLE RAM ROS160048

GERUNE EWE GE120150
OEL 30 | ILP 361 | OPI -
Gelam 4 | Lammers 4 | Gespeen 4

GERUNE RAM GE130064

DENVOR EWE DTC 110187
OEL 22.4 | ILP 355 | OPI 124
Gelam 6 | Lammers 7 | Gespeen 7

GERUNE RAM GE120023

GERUNE EWE GE120025
OEL 24.3 | ILP 307 | OPI 80
Gelam 5 | Lammers 6 | Gespeen 3

DENVOR RAM DTC 100046

DENVOR EWE DTC 090325
OEL - | ILP - | OPI 125
Gelam 6 | Lammers 9 | Gespeen 5

Groeï					Reproduksie			
VSpn. Dir	VSpn. Mat	Spn. Dir	Spn. Mat.	Na-Spn.	GLS	TWW	OEL	ILP
99	100	97	100	99	101	101	110	106
54%	39%	53%	33%	22%	30%	30%	24%	24%



EBV Analise 2024-04-04

Logix Meriete Indeks **101**

Groeï Indeks **98**

Reproduksie Indeks **103**

VERKOPER OPMERKINGS:

LOT 6 (M)



G.P. NIEUWOUTD

Petrusburg, Free State
0847038310
sunetn91@gmail.com



GID 220002

KROONVIEU RAM GID220002

Kuddeboek	SP
Geb. dtm	2022-09-08
Oud.	1.6 jaar
Inteling	9.68%
Geb. Status	2
Nageslag	
Geen	

BS 190342 (2)

HAGELAND RAM BS190342

Ouerskap Vaar Moer

DNS

Genomies

BS 200299 (1)

HAGELAND OOI BS 200299

OEL 22.5 | ILP - | OPI 96
Gelam 1 | Lammers 2 | Gespeen 1

BS 170053

RIVER NORTH RAM BS 170053

BS 150064

RIVER NORTH EWE BS150064
OEL - | ILP - | OPI 110
Gelam 4 | Lammers 10 | Gespeen 10

BS 180240

HAGELAND RAM BS180240

BS 180214

HAGELAND EWE BS180214
OEL 16.2 | ILP 345 | OPI 96
Gelam 4 | Lammers 5 | Gespeen 4

ALBELLO RAM AB 120025

ELZÉ OOI EL 090096
OEL - | ILP - | OPI -
Gelam 10 | Lammers 19 | Gespeen 17

ELZÉ RAM EL 110103

DE BONNAIRE OOI AAA 100047
OEL - | ILP - | OPI -
Gelam 4 | Lammers 8 | Gespeen 3

HUNT RAM HIS00070

RIVER NORTH EWE BS150049
OEL - | ILP - | OPI 118
Gelam 5 | Lammers 10 | Gespeen 10

HUNT RAM HIS00070

RIVER NORTH EWE BS150049
OEL - | ILP - | OPI 118
Gelam 5 | Lammers 10 | Gespeen 10

Groeï					Reproduksie			
VSpn. Dir	VSpn. Mat	Spn. Dir	Spn. Mat.	Na-Spn.	GLS	TWW	OEL	ILP
100	112	87	110	92	116	116	96	117
62%	41%	61%	34%	23%	30%	30%	30%	23%



EBV Analise 2024-04-04

Logix Meriete Indeks **113**

Groeï Indeks **98**

Reproduksie Indeks **119**

VERKOPER OPMERKINGS:



LOT 7 (F)

GW 210066

VAN DER LINDE EWE GW210066



Herd Book	SP
Birth date	2021-06-01
Age	2.9 years
Inbreeding	4.65%
Birth Stat.	2

AFL	ILP	EPI
16m	273d	-

Lambled	2
Lambs	2
Weaned	0

G.W. VAN DER LINDE
Mareetsane, North West
0795247954
gertwvanderlinde@gmail.com

GW 190012 (2)
VAN DER LINDE RAM GW190012

Parentage Sire Dam
DNA
Genomic

GW 150078 (2)
VAN DER LINDE EWE GW150078

AFL 23 | ILP 371 | EPI 154
Lambled 7 | Lambs 11 | Weaned 11

DTC 030025
DENVOR RAM DTC 030025

GW 150183
VAN DER LINDE EWE GW150183

AFL 20.7 | ILP 389 | EPI 126
Lambled 7 | Lambs 10 | Weaned 7

JJ 110008
DUPAIN RAM JJ 110008

VA 120010
VAALKOP OOI VA 120010

AFL 27.4 | ILP 354 | EPI 148
Lambled 9 | Lambs 14 | Weaned 11

DENVOR RAM DTC00204
DENVOR OOI DTC97007

AFL 20.4 | ILP 388 | EPI -
Lambled 5 | Lambs 9 | Weaned 4

VAALKOP RAM VA 130059
VAALKOP OOI VA 120024

AFL - | ILP - | EPI 96
Lambled 7 | Lambs 12 | Weaned 4

DUPAIN RAM JJ 090010
DUPAIN OOI JJ 080006

AFL 31.1 | ILP 261 | EPI -
Lambled 2 | Lambs 2 | Weaned -

GERUNE RAM GE 100033
VAALKOP OOI VA 060114

AFL 18.2 | ILP 291 | EPI 178
Lambled 9 | Lambs 14 | Weaned 11

Growth					Reproduction			
PreWn. Dir	PreWn. Mat.	Wn. Dir.	Wean Mat.	Post-Wn.	NLW	TWW	AFL	ILP
104	110	102	111	103	102	102	106	85
66%	47%	64%	40%	41%	37%	37%	39%	33%



EBV Analysis 2024-04-04

Logix Merit Index	105
Growth Index	108
Reproduction Index	103

SELLER REMARKS: Dragtig van GE2047.

LOT 8 (F)

WCN 210172

WALCON EWE WCN210172



Herd Book	SP
Birth date	2021-09-02
Age	2.6 years
Inbreeding	5.81%
Birth Stat.	1

AFL	ILP	EPI
24.1m	-	-

Lambled	1
Lambs	2
Weaned	0

WALCON
Wellington, Western Cape
0832647101
stefan@walcon.co.za

GNF 160043 (1)
GERNICK RAM GNF160043

Parentage Sire Dam
DNA
Genomic

DTC 170171 (1)
DENVOR EWE DTC 170171

AFL 24.1 | ILP 276 | EPI 131
Lambled 5 | Lambs 10 | Weaned 9

GNF 140069
GERNICK RAM GNF140069

MEB 120002
LANK-GE-WAG OOI MEB 120002

AFL 26 | ILP 226 | EPI 97
Lambled 6 | Lambs 7 | Weaned 3

DTC 160001
DENVOR RAM DTC 160001

DTC 100030
DENVOR EWE DTC 100030

AFL - | ILP - | EPI 119
Lambled 11 | Lambs 16 | Weaned 10

JANCOR RAM JC 120131
SANVUUREN OOI SV 120078

AFL 26.5 | ILP 643 | EPI -
Lambled 2 | Lambs 4 | Weaned 3

LANK-GE-WAG RAM MEB 100057
LANK-GE-WAG OOI MEB 090020

AFL 19.9 | ILP 427 | EPI 110
Lambled 3 | Lambs 4 | Weaned 3

DENVOR RAM DTC 080260
DENVOR EWE DTC 110188

AFL - | ILP - | EPI 189
Lambled 8 | Lambs 13 | Weaned 11

DENVOR RAM DTC 080047
ARLEDRE OOI CFE 050329

AFL 18.6 | ILP 289 | EPI 135
Lambled 7 | Lambs 12 | Weaned 6

Growth					Reproduction			
PreWn. Dir	PreWn. Mat.	Wn. Dir.	Wean Mat.	Post-Wn.	NLW	TWW	AFL	ILP
94	95	88	94	91	105	105	106	99
65%	52%	64%	46%	47%	43%	43%	34%	33%



EBV Analysis 2024-04-04

Logix Merit Index	94
Growth Index	88
Reproduction Index	96

SELLER REMARKS: Dragtig, gedek deur DTC22245 op 20/02/2024. Dogter van die Golden Girl - DTC170171 (2022 SA Groot Kampioen Ooi en Interraskampioen Ooi by die Royal Skou).

LOT 9 (F)

RN 230053

NELRU EWE RN230053



Herd Book	SP
Birth date	2023-06-24
Age	10 months
Inbreeding	7.04%
Birth Stat.	1

AFL	ILP	EPI
-	-	-

L.R. NEL
Stella, Northern Cape
0731382359
rudinel0@gmail.com

DTC 210091 (1)
DENVOR RAM DTC210091

Parentage Sire Dam
DNA
Genomic

GE 170115 (1)
GERUNE EWE GE170115

AFL 24.5 | ILP 338 | EPI 109
Lambled 5 | Lambs 6 | Weaned 6

GE 150111
GERUNE RAM GE150111

DTC 170030
DENVOR EWE DTC 170030

AFL 20.1 | ILP 334 | EPI 140
Lambled 7 | Lambs 8 | Weaned 7

WH 150028
OSMAND RAM WH150028

GE 110045
GERUNE EWE GE110045

AFL 19 | ILP 363 | EPI 111
Lambled 7 | Lambs 8 | Weaned 6

GERUNE RAM GE130088
GERUNE EWE GE130006

AFL 17 | ILP 382 | EPI -
Lambled 4 | Lambs 6 | Weaned 5

ROSVILLE RAM ROS150020
DENVOR EWE DTC130231

AFL - | ILP - | EPI 103
Lambled 7 | Lambs 11 | Weaned 10

DENVOR RAM DTC 080260
DENVOR EWE DTC130178

AFL 28.9 | ILP 571 | EPI 100
Lambled 4 | Lambs 7 | Weaned 5

ROSVILLE RAM ROS 050581
GERUNE OOI GE 100011

AFL 16.5 | ILP 331 | EPI -
Lambled - | Lambs 3 | Weaned -

Growth					Reproduction			
PreWn. Dir	PreWn. Mat.	Wn. Dir.	Wean Mat.	Post-Wn.	NLW	TWW	AFL	ILP
87	94	88	91	90	91	91	87	109
61%	41%	59%	35%	26%	33%	33%	26%	26%



EBV Analysis 2024-04-04

Logix Merit Index	81
Growth Index	85
Reproduction Index	88

SELLER REMARKS: Oop ooi. Plofstof dogert met houding!! Goeie agerkwart.



NASIONALE ELITE IDF VEILING

BLOEMSKOU GRONDE 27 April 2024



LOT 10 (F)



HENLIN STOETERY



Reitz, Free State
0721711573
wbhbdy@gmail.com



HW 220132

HENLIN EWE HW220132

Kuddeboek	SP	
Geb. dtm	2022-11-03	
Oud.	1.5 jaar	
Inteling	5.02%	
Geb. Status	2	
OEL	ILP	OPI
-	-	-

JC 200165 (2)
JANCOR RAM JC200165
Ouerskap Vaar Moer
DNS
Genomies

HW 210001 (1)
HENLIN EWE HW210001
OEL 13.4 ILP 241 OPI 126
Gelam 3 Lammers 4 Gespeen 4

JC 140046	SWEETBULT RAM HFG 120008
JANCOR RAM JC 140046	JCROARTY EWE JR100017
	OEL 16.3 ILP 582 OPI -
	Gelam 4 Lammers 5 Gespeen 3
JC 180156	JANCOR RAM JC 140046
JANCOR EWE JC180156	JANCOR OOI JC 130115
OEL 29.5 ILP - OPI 92	OEL 23.3 ILP 368 OPI 110
Gelam 2 Lammers 2 Gespeen 2	Gelam 4 Lammers 6 Gespeen 4
ROS 190007	DENVOR RAM DTC 050071
ROSVILLE RAM ROS190007	ROSVILLE EWE ROS170015
	OEL 21.6 ILP 359 OPI 105
	Gelam 5 Lammers 9 Gespeen 6
RC 180241	RCH RAM RC 150447
RCH EWE RC180241	RCH OOI RC 130153
OEL 21.8 ILP 245 OPI 93	OEL 18.3 ILP 397 OPI 112
Gelam 6 Lammers 6 Gespeen 4	Gelam 3 Lammers 8 Gespeen 8

Groeï					Reproduksie			
VSpn. Dir	VSpn. Mat	Spn. Dir	Spn. Mat	Na-Spn.	GLS	TWW	OEL	ILP
109	99	106	98	101	81	81	106	111
62%	43%	61%	37%	24%	34%	34%	30%	27%



EBV Analise 2024-04-04

Logix Meriete Indeks	98
Groeï Indeks	106
Reproduksie Indeks	94

VERKOPER OPMERKINGS: Loop saam met ram HW 22 122 vanaf 1 - 20 April 2024.

LOT 11 (F)



PINNACLE STUDS PTY LTD



Ladybrand, Free State
0824102401
pinnacle.santas@gmail.com



HN 230013

PINNACLE EWE HN230013

Kuddeboek	SP	
Geb. dtm	2023-03-28	
Oud.	1.1 jaar	
Inteling	5.75%	
Geb. Status	1	
OEL	ILP	OPI
-	-	-

DTC 200249 (2)
DENVOR RAM DTC 200249
Ouerskap Vaar Moer
DNS
Genomies

CCC 190010 (1)
3C EWE CCC190010
OEL 19.5 ILP 276 OPI 107
Gelam 4 Lammers 4 Gespeen 2

DTC 170351	DENVOR RAM DTC160722
DENVOR RAM DTC 170351	DENVOR EWE DTC120234
	OEL - ILP - OPI -
	Gelam 8 Lammers 15 Gespeen 13
DTC 140055	KALENTRA RAM SEC 100003
DENVOR EWE DTC 140055	DENVOR EWE DTC 110197
OEL - ILP - OPI 136	OEL - ILP - OPI 97
Gelam 11 Lammers 18 Gespeen 14	Gelam 5 Lammers 5 Gespeen 4
DTC 160075	DENVOR RAM DTC150486
DENVOR RAM DTC 160075	DENVOR EWE DTC120064
	OEL - ILP - OPI 107
	Gelam 8 Lammers 11 Gespeen 8
DTC 170318	FRENCH ALLIANCE RAM HAW 130008
DENVOR EWE DTC 170318	DENVOR EWE DTC150506
OEL 20.9 ILP 373 OPI 101	OEL - ILP - OPI -
Gelam 4 Lammers 6 Gespeen 6	Gelam 3 Lammers 6 Gespeen 5

Groeï					Reproduksie			
VSpn. Dir	VSpn. Mat	Spn. Dir	Spn. Mat	Na-Spn.	GLS	TWW	OEL	ILP
114	108	117	109	114	92	92	105	98
63%	40%	62%	33%	38%	31%	31%	25%	23%



EBV Analise 2024-04-04

Logix Meriete Indeks	112
Groeï Indeks	119
Reproduksie Indeks	106

VERKOPER OPMERKINGS: Running with HN22-37 from 20/2/2024 to 30/3/2024.

LOT 12 (F)



WILGERSTROOM BOERDERY



Potchefstroom, North West
0824441855
kleinbegin91@gmail.com



WG 200260

WILGERSTROOM EWE WG200260

Kuddeboek	SP	
Geb. dtm	2020-09-13	
Oud.	3.6 jaar	
Inteling	4.46%	
Geb. Status	2	
OEL	ILP	OPI
-	-	93
Gelam	2	
Lammers	3	
Gespeen	1	

RC 170052 (1)
RCH RAM RC 170052
Ouerskap Vaar Moer
DNS
Genomies

GE 160050 (2)
GERUNE EWE GE160050
OEL 25.3 ILP 352 OPI 141
Gelam 6 Lammers 9 Gespeen 9

JC 140006	DENVOR RAM DTC090122
JANCOR RAM JC140006	ALBELLO OOI AB090005
	OEL 16.2 ILP 491 OPI -
	Gelam 6 Lammers 8 Gespeen 3
RC 150353	RCH RAM RC 130028
RCH OOI RC150353	RCH OOI RC 140091
OEL 17.7 ILP 369 OPI 128	OEL 17.8 ILP 379 OPI 99
Gelam 3 Lammers 6 Gespeen 6	Gelam 3 Lammers 4 Gespeen 4
DTC 120028	DENVOR RAM DTC 100313
DENVOR RAM DTC120028	DENVOR EWE DTC 090083
	OEL 14.4 ILP 263 OPI 157
	Gelam 8 Lammers 10 Gespeen 9
GE 140056	GERUNE RAM GE110049
GERUNE EWE GE140056	GERUNE EWE GE120151
OEL 25.9 ILP 321 OPI 100	OEL 16.9 ILP 304 OPI 102
Gelam 3 Lammers 6 Gespeen 6	Gelam 2 Lammers 2 Gespeen 2

Groeï					Reproduksie			
VSpn. Dir	VSpn. Mat	Spn. Dir	Spn. Mat	Na-Spn.	GLS	TWW	OEL	ILP
93	109	105	107	89	95	95	101	88
65%	49%	63%	42%	49%	40%	40%	37%	32%



EBV Analise 2024-04-04

Logix Meriete Indeks	98
Groeï Indeks	104
Reproduksie Indeks	98

VERKOPER OPMERKINGS: Was 3de in haar klas 2023 SA Kampioenskappe. Dragtig - Loop saam WG22-103 van 27-Des 2023 tot 10-Feb 2024. Daar na JC21-59 tot 18 Maart 2024.



NASIONALE ELITE IDF VEILING

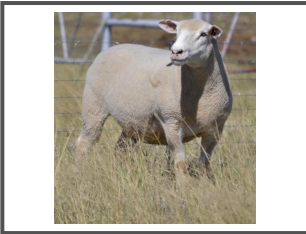
BLOEMSKOU GRONDE 27 April 2024



LOT 13 (F)

ROS 180075

ROSSVILLE EWE ROS180075



Herd Book	SP
Birth date	2018-08-04
Age	5.7 years
Inbreeding	4.91%
Birth Stat.	1

AFL	ILP	EPI
21.1m	412d	114

Lambled	4
Lambs	8
Weaned	7

W.H. OOSTHUIZEN

Vryburg, North West

0824521520

rossville.boerdery@gmail.com



DTC 160728 (2)
DENVOR RAM DTC160728

Parentage Sire Dam

DNA

Genomic

DTC 160349 (3)
DENVOR EWE DTC160349

AFL 17.2 | ILP 342 | EPI 129
Lambled 7 | Lambs 10 | Weaned 7

JAC 930030
NO-FEAR RAM JAC930030

DTC 120213
DENVOR EWE DTC120213

AFL 17.3 | ILP 288 | EPI 135
Lambled 8 | Lambs 13 | Weaned 10

HM 140184
UITBLINK RAM HM140184

DTC 130750
DENVOR EWE DTC 130750

AFL - | ILP - | EPI 100
Lambled 3 | Lambs 4 | Weaned 4

EASTON RAM BGG91257

EASTON EWE BGG91141
AFL 23.5 | ILP 297 | EPI -
Lambled 2 | Lambs 4 | Weaned -

DENVOR RAM DTC 110069

DENVOR EWE DTC 110096
AFL - | ILP - | EPI 237
Lambled 12 | Lambs 19 | Weaned 15

DENVOR RAM DTC 110218

UITBLINK OOI HM 080166
AFL 23.1 | ILP 335 | EPI 116
Lambled 7 | Lambs 11 | Weaned 2

DENVOR RAM DTC 110174

DENVOR EWE DTC 110384
AFL 17.3 | ILP 237 | EPI 83
Lambled 4 | Lambs 4 | Weaned 1

Growth					Reproduction			
PreWn. Dir	PreWn. Mat.	Wn. Dir.	Wean Mat.	Post-Wn.	NLW	TWW	AFL	ILP
92	70	94	72	98	117	117	91	103
72%	63%	69%	55%	29%	50%	50%	39%	39%



EBV Analysis 2024-04-04

Logix Merit Index **91**

Growth Index **80**

Reproduction Index **92**

SELLER REMARKS: Dragtig met 2ling van Victor DTC19120. DTC19120 verkoop vir R105 000. Top genetika

LOT 14 (F)

WH 230031

OSMAND EWE WH230031



Herd Book	SP
Birth date	2023-04-26
Age	1 years
Inbreeding	7.86%
Birth Stat.	2

AFL	ILP	EPI
-	-	-

W.H. VAN HUYSSTEEN

Vryburg, Northern Cape

0834448074

vanhuyssteen.amelia@gmail.com



GE 200047 (1)
GERUNE RAM GE200047

Parentage Sire Dam

DNA

Genomic

WH 160063 (1)
OSMAND EWE WH160063

AFL 17.8 | ILP 465 | EPI 108
Lambled 5 | Lambs 8 | Weaned 7

GE 180048
GERUNE RAM GE180048

GE 150151
GERUNE EWE GE150151

AFL 19.8 | ILP 382 | EPI 106
Lambled 6 | Lambs 11 | Weaned 9

WH 140001
GERUNE RAM WH140001

DTC 130177
DENVOR EWE DTC130177

AFL 30.3 | ILP 418 | EPI 112
Lambled 4 | Lambs 6 | Weaned 6

ROSVILLE RAM ROS160048

GERUNE EWE GE120150
AFL 30 | ILP 361 | EPI -
Lambled 4 | Lambs 4 | Weaned 4

GERUNE RAM GE130064

DENVOR EWE DTC 110187
AFL 22.4 | ILP 355 | EPI 124
Lambled 6 | Lambs 7 | Weaned 7

GERUNE RAM GE120023

GERUNE EWE GE120025
AFL 24.3 | ILP 307 | EPI 80
Lambled 5 | Lambs 6 | Weaned 3

DENVOR RAM DTC 100046

DENVOR EWE DTC 090325
AFL - | ILP - | EPI 125
Lambled 6 | Lambs 9 | Weaned 5

Growth					Reproduction			
PreWn. Dir	PreWn. Mat.	Wn. Dir.	Wean Mat.	Post-Wn.	NLW	TWW	AFL	ILP
99	100	97	100	99	101	101	110	106
54%	39%	53%	33%	22%	30%	30%	24%	24%



EBV Analysis 2024-04-04

Logix Merit Index **101**

Growth Index **98**

Reproduction Index **103**

SELLER REMARKS: Loop saam ROS22020 vanaf 1/02/2024.

LOT 15 (F)

WCN 200062

WALCON EWE WCN200062



Herd Book	SP
Birth date	2020-07-16
Age	3.8 years
Inbreeding	7.33%
Birth Stat.	2

AFL	ILP	EPI
17.3m	237d	129

Lambled	3
Lambs	5
Weaned	4

WALCON

Wellington, Western Cape
0832647101
stefan@walcon.co.za

JC 180101 (2)
JANCOR RAM JC180101

Parentage Sire Dam

DNA

Genomic

JC 150157 (1)
JANCOR EWE JC150157

AFL 22.6 | ILP 261 | EPI 116
Lambled 9 | Lambs 14 | Weaned 9

JC 160166
JANCOR RAM JC160166

RM 130003
ROMI EWE RM130003

AFL 19.9 | ILP 360 | EPI 136
Lambled 4 | Lambs 7 | Weaned 6

PRD 090001
CAMELIA RAM PRD090001

JR 100063
JCROARTY EWE JR100063

AFL 35.5 | ILP 845 | EPI 81
Lambled 2 | Lambs 2 | Weaned 1

JANCOR RAM JC150060

JANCOR OOI JC 140119
AFL 26.1 | ILP 244 | EPI -
Lambled 5 | Lambs 8 | Weaned 7

LANK-GE-WAG RAM MEB 100057

RCH OOI RC 110188
AFL 22 | ILP 299 | EPI 88
Lambled 3 | Lambs 4 | Weaned 2

DENVOR RAM DTC 060017

MOLYNEUX OOI AFD 060007
AFL 17.2 | ILP 419 | EPI 138
Lambled 7 | Lambs 10 | Weaned -

DENVOR RAM DTC 050071

UITBLINK OOI HM080162
AFL 20.8 | ILP - | EPI -
Lambled 1 | Lambs 2 | Weaned -

Growth					Reproduction			
PreWn. Dir	PreWn. Mat.	Wn. Dir.	Wean Mat.	Post-Wn.	NLW	TWW	AFL	ILP
97	102	93	101	93	136	136	104	92
68%	58%	66%	50%	23%	46%	46%	40%	40%



EBV Analysis 2024-04-04

Logix Merit Index **121**

Growth Index **96**

Reproduction Index **121**

SELLER REMARKS: Dogter van Boeta (JC180101). Sy is 'n baksteen met baie vleis. Geloop by Bullseye (WCN210109) tot 18/02/24. Dragtig.



NASIONALE ELITE IDF VEILING

BLOEMSKOU GRONDE 27 April 2024



LOT 16 (F)

RN 230070

NELRU EWE RN230070

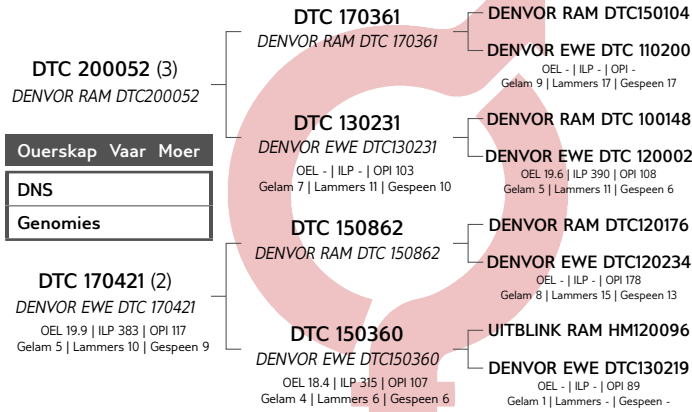


Kuddeboek	SP	
Geb. dtm	2023-07-03	
Oud.	10 maande	
Inteling	7.57%	
Geb. Status	2	
OEL	ILP	OPI
-	-	-

L.R. NEL



Stella, Northern Cape
0731382359
rudinel0@gmail.com



Groeï					Reproduksie			
VSpn. Dir	VSpn. Mat	Spn. Dir.	Spn. Mat.	Na-Spn.	GLS	TWW	OEL	ILP
97	92	108	93	109	105	105	92	87
64%	43%	62%	37%	37%	35%	35%	28%	25%



EBV Analise 2024-04-04

Logix Meriete Indeks	97
Groeï Indeks	100
Reproduksie Indeks	95

VERKOPER OPMERKINGS: Oop ooi. Lexus dogter. Halfsuster van 9-12maande klas. Wenner 2023 SA Skou (Dieselfde ma).

LOT 17 (M)

GE 220021

GERUNE RAM GE220021

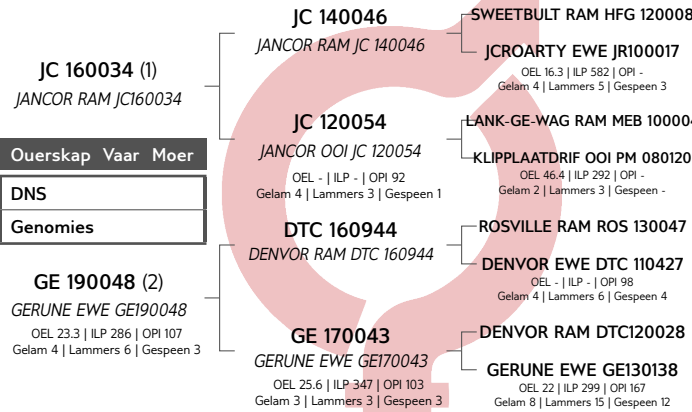


Kuddeboek	SP
Geb. dtm	2022-05-02
Oud.	2 jaar
Inteling	4.28%
Geb. Status	2
Nageslag	
In Kudde	5
Totaal	5
Kuddes Gebruik	1

GERUNE FAMILIE TRUST



Prieska, Northern Cape
0825539881
lamontboerdery@gmail.com



Groeï					Reproduksie			
VSpn. Dir	VSpn. Mat	Spn. Dir.	Spn. Mat.	Na-Spn.	GLS	TWW	OEL	ILP
122	81	115	83	109	94	94	102	92
64%	50%	63%	44%	43%	42%	42%	35%	34%



EBV Analise 2024-04-04

Logix Meriete Indeks	103
Groeï Indeks	107
Reproduksie Indeks	87

VERKOPER OPMERKINGS: Besondere mooi ram. Seun van 2018 SA Kampioen ram. Van die laaste genetika van Geruné Ile de France stoet.

LOT 18 (M)

GE 220065

GERUNE RAM GE220065

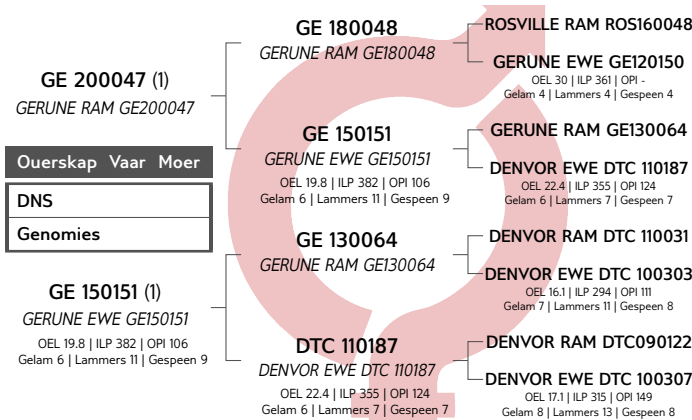


Kuddeboek	SP
Geb. dtm	2022-08-19
Oud.	1.7 jaar
Inteling	31.58%
Geb. Status	3
Nageslag	
Geen	

GERUNE FAMILIE TRUST



Prieska, Northern Cape
0825539881
lamontboerdery@gmail.com



Groeï					Reproduksie			
VSpn. Dir	VSpn. Mat	Spn. Dir.	Spn. Mat.	Na-Spn.	GLS	TWW	OEL	ILP
114	101	116	104	114	105	105	109	97
63%	40%	61%	34%	23%	31%	31%	23%	24%



EBV Analise 2024-04-04

Logix Meriete Indeks	117
Groeï Indeks	115
Reproduksie Indeks	110

VERKOPER OPMERKINGS: Baie goed gebalanseerde ram met baie goeie syfers. Halfbroer van SA kampioenooi 2019. Van die laaste genetika van Geruné Ile de France stoet.



LOT 19 (M)

ROS 220064

ROSVILLE RAM ROS220064



Herd Book	SP
Birth date	2022-06-04
Age	1.9 years
Inbreeding	7.89%
Birth Stat.	2

Progeny	
In Herd	19
Total	19
Herds Used	1

W.H. OOSTHUIZEN

Vryburg, North West

0824521520

rossville.boerdery@gmail.com



DTC 200240 (1)
DENVOR RAM DTC 200240

Parentage Sire Dam

DNA

Genomic

ROS 190037 (2)
ROSVILLE OOI ROS190037

AFL 23.3 | ILP 415 | EPI 104
Lambd 3 | Lams 6 | Weaned 6

DTC 180005
DENVOR RAM DTC180005

AFL 17.6 | ILP 311 | EPI -
Lambd 4 | Lams 6 | Weaned 4

DTC 160827
DENVOR EWE DTC 160827

AFL - | ILP - | EPI 101
Lambd 5 | Lams 7 | Weaned 5

ROS 180005
ROSVILLE RAM ROS180005

AFL 28.3 | ILP 400 | EPI 100
Lambd 4 | Lams 11 | Weaned 1

DTC 120196
DENVOR OOI DTC120196

AFL 45.5 | ILP 369 | EPI 104
Lambd 4 | Lams 8 | Weaned 8

JANCOR RAM JCI50077

DENVOR EWE DTC150011
AFL 17.6 | ILP 311 | EPI -
Lambd 4 | Lams 6 | Weaned 4

KLIPRAND RAM KR 120051

DENVOR OOI DTC120161
AFL - | ILP - | EPI 146
Lambd 8 | Lams 11 | Weaned 9

ROSVILLE RAM ROS 130072

DENVOR EWE DTC130103
AFL 28.3 | ILP 400 | EPI 100
Lambd 4 | Lams 11 | Weaned 1

DENVOR RAM DTC 110069

DENVOR EWE DTC 110043
AFL - | ILP - | EPI 91
Lambd 3 | Lams 4 | Weaned 4

Growth					Reproduction			
PreWn. Dir.	PreWn. Mat.	Wn. Dir.	Wean Mat.	Post-Wn.	NLW	TWW	AFL	ILP
111	102	105	104	103	111	111	93	100
64%	41%	63%	33%	36%	31%	31%	28%	24%



EBV Analysis 2024-04-04

Logix Merit Index **115**

Growth Index **108**

Reproduction Index **110**

SELLER REMARKS: Ram in stoet gebruik. Ram met baie goeie syfers. LMI van 116. Geharde ram.

LOT 20 (M)

GID 220004

KROONVIEU RAM GID220004



Herd Book	SP
Birth date	2022-09-01
Age	1.6 years
Inbreeding	11.69%
Birth Stat.	2

Progeny	
None	

G.P. NIEUWOUDT

Petrusburg, Free State

0847038310

sunetr91@gmail.com



BS 190342 (2)
HAGELAND RAM BS190342

Parentage Sire Dam

DNA

Genomic

BS 200242 (3)
HAGELAND OOI BS 200242

AFL 15.3 | ILP 245 | EPI 117
Lambd 2 | Lams 4 | Weaned 4

BS 170053
RIVER NORTH RAM BS 170053

ALBELLO RAM AB 120025

BS 150064
RIVER NORTH EWE BS150064

AFL - | ILP - | EPI 110
Lambd 4 | Lams 10 | Weaned 10

BS 170111
RIVER NORTH RAM BS 170111

ALBELLO RAM AB 120025

BS 190151
HAGELAND OOI BS 190151

AFL 19.6 | ILP 306 | EPI 112
Lambd 4 | Lams 8 | Weaned 5

ALBELLO RAM AB 120025

ELZÉ OOI EL 090096
AFL - | ILP - | EPI -
Lambd 10 | Lams 19 | Weaned 17

ELZÉ RAM EL 110103

DE BONNAIRE OOI AAA 100047
AFL - | ILP - | EPI -
Lambd 4 | Lams 8 | Weaned 3

ALBELLO RAM AB 120025

ELZÉ OOI EL 110110
AFL - | ILP - | EPI 108
Lambd 6 | Lams 11 | Weaned 9

RIVER NORTH RAM BS 170123

RIVER NORTH EWE BS150028
AFL - | ILP - | EPI -
Lambd 5 | Lams 6 | Weaned 6

Growth					Reproduction			
PreWn. Dir.	PreWn. Mat.	Wn. Dir.	Wean Mat.	Post-Wn.	NLW	TWW	AFL	ILP
85	110	83	105	85	113	113	105	118
64%	44%	62%	37%	22%	31%	31%	31%	23%



EBV Analysis 2024-04-04

Logix Merit Index **104**

Growth Index **89**

Reproduction Index **114**

SELLER REMARKS:

LOT 21 (M)

ROS 220120

ROSVILLE RAM ROS220120



Herd Book	SP
Birth date	2022-09-12
Age	1.6 years
Inbreeding	6.39%
Birth Stat.	1

Progeny	
None	

W.H. OOSTHUIZEN

Vryburg, North West

0824521520

rossville.boerdery@gmail.com



DTC 190120 (1)
DENVOR RAM DTC190120

Parentage Sire Dam

DNA

Genomic

ROS 200052 (2)
ROSVILLE EWE ROS200052

AFL 16.4 | ILP 324 | EPI 111
Lambd 3 | Lams 3 | Weaned 3

DTC 170339
DENVOR RAM DTC 170339

DENVOR RAM DTC150104

DTC 170328
DENVOR EWE DTC 170328

AFL 21.7 | ILP 322 | EPI 87
Lambd 4 | Lams 6 | Weaned 4

GNF 160043
GERNICK RAM GNF160043

LANK-GE-WAG OOI MEB 120002
AFL 26 | ILP 226 | EPI 97
Lambd 6 | Lams 7 | Weaned 3

ROS 160005
ROSVILLE EWE ROS160005

AFL 20.5 | ILP 316 | EPI 100
Lambd 7 | Lams 12 | Weaned 7

DENVOR RAM DTC150104

DENVOR EWE DTC 110200
AFL - | ILP - | EPI -
Lambd 9 | Lams 17 | Weaned 17

DENVOR RAM DTC 150862

DENVOR EWE DTC 160378
AFL 17.1 | ILP 421 | EPI 78
Lambd 5 | Lams 7 | Weaned 2

GERNICK RAM GNF140069

LANK-GE-WAG OOI MEB 120002
AFL 26 | ILP 226 | EPI 97
Lambd 6 | Lams 7 | Weaned 3

UITBLINK RAM HM 120019

SWEETBULT EWE HFG150014
AFL 14 | ILP 565 | EPI 106
Lambd 3 | Lams 5 | Weaned 3

Growth					Reproduction			
PreWn. Dir.	PreWn. Mat.	Wn. Dir.	Wean Mat.	Post-Wn.	NLW	TWW	AFL	ILP
105	84	108	87	120	79	79	97	77
64%	48%	63%	40%	46%	37%	37%	31%	26%



EBV Analysis 2024-04-04

Logix Merit Index **77**

Growth Index **99**

Reproduction Index **71**

SELLER REMARKS: Ram in stoet gebruik. Pa is bekende Victor DTC19120. Pa verkoop vir R105 000.



NASIONALE ELITE IDF VEILING

BLOEMSKOU GRONDE 27 April 2024



LOT 22 (M)



GERUNE FAMILIE TRUST



Prieska, Northern Cape

0825539881

lamontboerdery@gmail.com



GE 230001

GERUNE RAM GE230001

Kuddeboek	SP
Geb. dtm	2023-01-02
Oud.	1.3 jaar
Inteling	4.31%
Geb. Status	2
Nageslag	
Geen	

JC 160034 (1)
JANCOR RAM JC160034

Ouerskap Vaar Moer

DNS

Genomies

GE 160009 (1)
GERUNE EWE GE160009
OEL 31.1 | ILP 306 | OPI 122
Gelum 6 | Lammers 9 | Gespeen 7

JC 140046
JANCOR RAM JC 140046

SWEETBULT RAM HFG 120008

JCROARTY EWE JR100017
OEL 16.3 | ILP 582 | OPI -
Gelum 4 | Lammers 5 | Gespeen 3

JC 120054
JANCOR OOI JC 120054

LANK-GE-WAG RAM MEB 100004
KLIPLAATDRIF OOI PM 080120
OEL 46.4 | ILP 292 | OPI -
Gelum 2 | Lammers 3 | Gespeen -

DTC 120028
DENVOR RAM DTC120028

DENVOR RAM DTC 100313

DENVOR EWE DTC 090083
OEL 14.4 | ILP 263 | OPI 157
Gelum 8 | Lammers 10 | Gespeen 9

GE 130025
GERUNE RAM GE 110021

GERUNE EWE GE130025
OEL 13 | ILP 377 | OPI 128
Gelum 5 | Lammers 7 | Gespeen 4

GERUNE OOI GE 070001
OEL 14.5 | ILP 308 | OPI 112
Gelum 8 | Lammers 9 | Gespeen 4

Groei					Reproduksie			
VSpn. Dir	VSpn. Mat	Spn. Dir	Spn. Mat	Na-Spn.	GLS	TWW	OEL	ILP
107	107	101	106	95	80	80	103	103
59%	52%	58%	47%	44%	44%	44%	36%	36%



EBV Analise 2024-04-04

Logix Meriete Indeks 95

Groei Indeks 106

Reproduksie Indeks 93

VERKOPER OPMERKINGS: Baie lang ram. Seun van SA Kampioenram 2018. Van die laaste genetica van Geruné Ile de France stoet.

LOT 23 (F)



WALCON

Wellington, Western Cape

0832647101

stefan@walcon.co.za



WCN 200072

WALCON EWE WCN200072

Kuddeboek	SP	
Geb. dtm	2020-07-19	
Oud.	3.8 jaar	
Inteling	5.6%	
Geb. Status	2	
OEL	ILP	OPI
17.5m	467d	93
Gelum	2	
Lammers	2	
Gespeen	1	

JC 180101 (2)
JANCOR RAM JC180101

Ouerskap Vaar Moer

DNS

Genomies

DTC 150621 (3)
DENVOR EWE DTC 150621
OEL 19.2 | ILP 300 | OPI 97
Gelum 6 | Lammers 8 | Gespeen 5

JC 160166
JANCOR RAM JC160166

JANCOR RAM JC150060

JANCOR OOI JC 140119
OEL 26.1 | ILP 244 | OPI -
Gelum 5 | Lammers 8 | Gespeen 7

RM 130003
ROMI EWE RM130003

LANK-GE-WAG RAM MEB 100057
RCH OOI RC 110188
OEL 22 | ILP 299 | OPI 88
Gelum 3 | Lammers 4 | Gespeen 2

HM 130095
UITBLINK RAM HM 130095

UITBLINK RAM HM 120019

DTC 130556
DENVOR EWE DTC 130556
OEL 20.4 | ILP 558 | OPI 95
Gelum 3 | Lammers 5 | Gespeen 3

BERGDRIF OOI BDF 090072
OEL 24.9 | ILP 458 | OPI -
Gelum 5 | Lammers 10 | Gespeen -

DENVOR RAM DTC 110174

DENVOR EWE DTC 100491
OEL 17.7 | ILP 418 | OPI 95
Gelum 4 | Lammers 6 | Gespeen 4

Groei					Reproduksie			
VSpn. Dir	VSpn. Mat	Spn. Dir	Spn. Mat	Na-Spn.	GLS	TWW	OEL	ILP
111	91	106	94	104	111	111	99	64
65%	50%	63%	42%	20%	41%	41%	39%	34%



EBV Analise 2024-04-04

Logix Meriete Indeks 100

Groei Indeks 104

Reproduksie Indeks 87

VERKOPER OPMERKINGS: Dragtig, geloop by WCN21109 tot 18/02/2024. Dogter van Boeta (C180101), Diep, breë en vroulike ooi en reeds sigbaar dragtig met Bullseye (WCN210109)

LOT 24 (F)



G.W. VAN DER LINDE

Mareetsane, North West

0795247954

gertwvanderlinde@gmail.com



GW 210123

VAN DER LINDE EWE GW210123

Kuddeboek	SP	
Geb. dtm	2021-06-18	
Oud.	2.9 jaar	
Inteling	4.79%	
Geb. Status	2	
OEL	ILP	OPI
15.3m	278d	-
Gelum	2	
Lammers	3	
Gespeen	0	

VA 110077 (1)
VAALKOP RAM VA 110077

Ouerskap Vaar Moer

DNS

Genomies

DTC 150982 (2)
DENVOR EWE DTC 150982
OEL 19.6 | ILP 326 | OPI 142
Gelum 8 | Lammers 12 | Gespeen 9

LB 070024
L'OR BLANC RAM LB 070024

KALANDER RAM HFR94031

L'OR BLANC OOI LB020005
OEL - | ILP - | OPI -
Gelum 3 | Lammers 6 | Gespeen 4

VA 090044
VAALKOP OOI VA 090044

VAALKOP RAM VA 050009
VAALKOP OOI VA 070075
OEL 27 | ILP 312 | OPI 135
Gelum 4 | Lammers 6 | Gespeen 3

DTC 110134
DENVOR RAM DTC 110134

DENVOR RAM DTC 090323

DTC 130574
DENVOR EWE DTC 130574
OEL 21.8 | ILP - | OPI 86
Gelum 1 | Lammers 2 | Gespeen 1

UITBLINK OOI HM 07220000I HM 070200
OEL - | ILP - | OPI 94
Gelum 4 | Lammers 4 | Gespeen 4

DENVOR RAM DTC 110174

DENVOR EWE DTC 120502
OEL - | ILP - | OPI 108
Gelum 6 | Lammers 7 | Gespeen 5

Groei					Reproduksie			
VSpn. Dir	VSpn. Mat	Spn. Dir	Spn. Mat	Na-Spn.	GLS	TWW	OEL	ILP
104	109	112	111	99	88	88	126	84
66%	56%	65%	51%	45%	49%	49%	47%	42%



EBV Analise 2024-04-04

Logix Meriete Indeks 104

Groei Indeks 113

Reproduksie Indeks 99

VERKOPER OPMERKINGS: Dragtig van GE2047.



NASIONALE ELITE IDF VEILING

BLOEMSKOU GRONDE 27 April 2024



LOT 25 (F)



L.R. NEL



Stella, Northern Cape
0731382359
rudinel0@gmail.com

RN 230016

NELRU EWE RN230016



Herd Book	SP	
Birth date	2023-06-09	
Age	11 months	
Inbreeding	6.74%	
Birth Stat.	2	
AFL	ILP	EPI
-	-	-

DTC 210091 (1)
DENVOR RAM DTC210091

Parentage Sire Dam

DNA

Genomic

RN 210044 (3)
NELRU EWE RN210044
AFL 21 | ILP - | EPI 106
Lambd 1 | Lams 2 | Weaned 2

GE 150111
GERUNE RAM GE150111

DTC 170030
DENVOR EWE DTC 170030
AFL 20.1 | ILP 334 | EPI 140
Lambd 7 | Lams 8 | Weaned 7

DTC 170361
DENVOR RAM DTC 170361

LC 170065
CORLEE EWE LC170065
AFL 21.7 | ILP 291 | EPI 100
Lambd 5 | Lams 9 | Weaned 8

GERUNE RAM GE130088
GERUNE EWE GE130066
AFL 17 | ILP 382 | EPI -
Lambd 4 | Lams 6 | Weaned 5

ROSVILLE RAM ROS150020
DENVOR EWE DTC130231
AFL - | ILP - | EPI 103
Lambd 7 | Lams 11 | Weaned 10

DENVOR RAM DTC150104
DENVOR EWE DTC 110200
AFL - | ILP - | EPI 256
Lambd 9 | Lams 17 | Weaned 17

SWEETBULT RAM HFG130028
UITBLINK EWE HM150135
AFL 14.8 | ILP 266 | EPI 117
Lambd 3 | Lams 4 | Weaned 4

Growth					Reproduction			
PreWn. Dir	PreWn. Mat.	Wn. Dir.	Wean Mat.	Post-Wn.	NLW	TWW	AFL	ILP
111	91	110	92	112	99	99	94	90
60%	40%	59%	35%	32%	32%	32%	28%	24%



EBV Analysis 2024-04-04

Logix Merit Index	101
Growth Index	105
Reproduction Index	93

SELLER REMARKS: Oop ooi. Plofstof dogert. Goeie houding en trap lekker breed.

LOT 26 (F)



HENLIN STOETERY



Reitz, Free State
0721711573
wbhbdy@gmail.com

HW 220138

HENLIN EWE HW220138



Herd Book	SP	
Birth date	2022-11-03	
Age	1.5 years	
Inbreeding	3.22%	
Birth Stat.	2	
AFL	ILP	EPI
-	-	-

JC 210099 (1)
JANCOR RAM JC210099

Parentage Sire Dam

DNA

Genomic

ADS 190020 (2)
ADRIAANDAVEL EWE ADS190020
AFL 16.3 | ILP 259 | EPI 108
Lambd 5 | Lams 9 | Weaned 8

JC 200084
JANCOR BLIKKIES

JC 150146
JANCOR EWE JC150146
AFL 21.6 | ILP 365 | EPI 96
Lambd 7 | Lams 8 | Weaned 7

GE 140037
GERUNE RAM GE140037

AJN 160073
ELDORADO EWE AJN160073
AFL 22.1 | ILP 320 | EPI 103
Lambd 7 | Lams 11 | Weaned 6

JANCOR RAM JC 140046
JANCOR EWE JC150300
AFL 12.6 | ILP 356 | EPI -
Lambd 8 | Lams 14 | Weaned 13

ALBELLO RAM AB 120025
JANCOR OOI JC110082
AFL 17.8 | ILP 316 | EPI 141
Lambd 5 | Lams 6 | Weaned 5

GERUNE RAM GE120062
GERUNE EWE GE120090
AFL 21.2 | ILP 339 | EPI 129
Lambd 7 | Lams 9 | Weaned 8

DENVOR RAM DTC 110158
ELDORADO OOI AJN 100019
AFL 25.9 | ILP 743 | EPI 79
Lambd 4 | Lams 5 | Weaned 2

Growth					Reproduction			
PreWn. Dir	PreWn. Mat.	Wn. Dir.	Wean Mat.	Post-Wn.	NLW	TWW	AFL	ILP
100	113	97	113	97	98	98	97	118
59%	39%	57%	33%	19%	26%	26%	22%	24%



EBV Analysis 2024-04-04

Logix Merit Index	108
Growth Index	105
Reproduction Index	113

SELLER REMARKS: Loop saam met ram HW 22 122 vanaf 1 - 20 April 2024.

LOT 27 (F)



W.H. VAN HUYSSTEEN



Vryburg, Northern Cape
0834448074
vanhuyssteen.amelia@gmail.com

WH 230035

OSMAND EWE WH230035



Herd Book	SP	
Birth date	2023-04-27	
Age	1 years	
Inbreeding	4.21%	
Birth Stat.	2	
AFL	ILP	EPI
-	-	-

RC 200059 (1)
RCH RAM RC200059

Parentage Sire Dam

DNA

Genomic

WH 200039 (1)
OSMAND EWE WH200039
AFL 17.7 | ILP 528 | EPI 111
Lambd 2 | Lams 3 | Weaned 3

RC 160206
RCH RAM RC 160206

RC 150392
RCH OOI RC 150392
AFL 20.7 | ILP 336 | EPI 105
Lambd 4 | Lams 5 | Weaned 5

WH 180025
OSMAND RAM WH180025

DTC 130503
DENVOR EWE DTC 130503
AFL 19 | ILP 325 | EPI 222
Lambd 8 | Lams 10 | Weaned 9

JANCOR RAM JC140066
RCH OOI RC 140072
AFL 18.6 | ILP 382 | EPI -
Lambd 3 | Lams 5 | Weaned 5

RCH RAM RC 130034
RCH OOI RC 110062
AFL 19 | ILP 361 | EPI 132
Lambd 5 | Lams 10 | Weaned 9

DENVOR RAM DTC120028
OSMAND EWE WH150026
AFL 20 | ILP 333 | EPI 77
Lambd 3 | Lams 4 | Weaned 1

DENVOR RAM DTC 070062
DENVOR EWE DTC 110410
AFL 22.9 | ILP 373 | EPI 92
Lambd 3 | Lams 7 | Weaned 5

Growth					Reproduction			
PreWn. Dir	PreWn. Mat.	Wn. Dir.	Wean Mat.	Post-Wn.	NLW	TWW	AFL	ILP
99	93	100	95	103	100	100	114	100
53%	36%	52%	31%	23%	28%	28%	26%	24%



EBV Analysis 2024-04-04

Logix Merit Index	98
Growth Index	97
Reproduction Index	98

SELLER REMARKS: Loop saam ROS22020 vanaf 1/02/2024.



NASIONALE ELITE IDF VEILING

BLOEMSKOU GRONDE 27 April 2024



LOT 28 (F)

WG 180050

WILGERSTROOM EWE WG180050



Kuddeboek	SP	
Geb. dtm	2018-07-24	
Oud.	5.8 jaar	
Inteling	2.56%	
Geb. Status	1	
OEL	ILP	OPI
20.7m	385d	99
Gelam	4	
Lammers	5	
Gespeen	5	

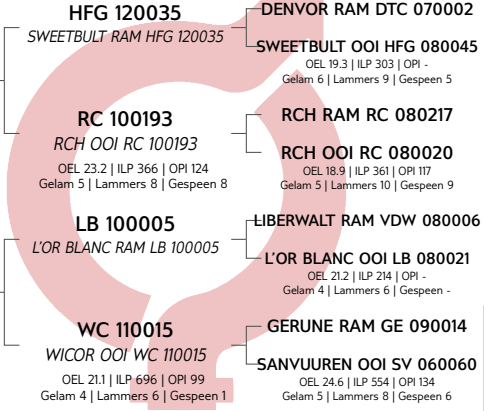
WILGERSTROOM BOERDERY



Potchefstroom, North West
0824441855
kleinbegin91@gmail.com

RC 140227 (2)
RCH RAM RC 140227
Ouerskap Vaar Moer
DNS
Genomies

WC 150017 (3)
WICOR EWE WC150017
OEL 35 ILP 369 OPI 93
Gelam 2 Lammers 3 Gespeen 1



Groei					Reproduksie			
VSpn. Dir	VSpn. Mat	Spn. Dir	Spn. Mat	Na-Spn.	GLS	TWW	OEL	ILP
97	103	89	102	101	104	104	100	107
60%	54%	59%	45%	40%	41%	41%	24%	31%



EBV Analise 2024-04-04

Logix Meriete Indeks	99
Groei Indeks	94
Reproduksie Indeks	103

VERKOPER OPMERKINGS: Dragtig. Geloop by HN21-12 vanaf 26-Des 23 tot 26-Jan 2024. JC21-59 van af 1Feb 2024 tot 18-Maart 2024

LOT 29 (F)

ROS 200018

ROSVILLE EWE ROS200018



Kuddeboek	SP	
Geb. dtm	2020-04-23	
Oud.	4 jaar	
Inteling	5.11%	
Geb. Status	1	
OEL	ILP	OPI
17.2m	415d	100
Gelam	3	
Lammers	4	
Gespeen	2	

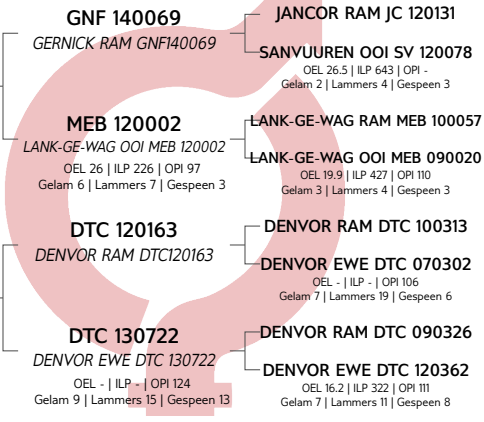
W.H. OOSTHUIZEN



Vryburg, North West
0824521520
rossville.boerdery@gmail.com

GNF 160043 (1)
GERNICK RAM GNFI60043
Ouerskap Vaar Moer
DNS
Genomies

DTC 150532 (2)
DENVOR EWE DTC150532
OEL 16.4 ILP 346 OPI 158
Gelam 8 Lammers 14 Gespeen 10



Groei					Reproduksie			
VSpn. Dir	VSpn. Mat	Spn. Dir	Spn. Mat	Na-Spn.	GLS	TWW	OEL	ILP
78	85	83	81	83	91	91	116	106
69%	59%	67%	52%	43%	49%	49%	41%	39%



EBV Analise 2024-04-04

Logix Meriete Indeks	74
Groei Indeks	74
Reproduksie Indeks	81

VERKOPER OPMERKINGS: 2ling lammer by haar ROS240029 en ROS240030. Lammers se pa is ROS220052. Ooi moontlik dragtig van DTC19120. DTC19120 Victor verkoop vir R105 000.

LOT 30 (F)

HN 230016

PINNACLE EWE HN230016



Kuddeboek	SP	
Geb. dtm	2023-03-29	
Oud.	1.1 jaar	
Inteling	4.72%	
Geb. Status	2	
OEL	ILP	OPI
-	-	-

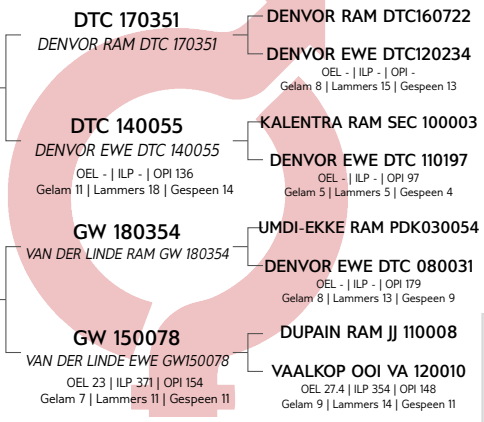
PINNACLE STUDS PTY LTD



Ladybrand, Free State
0824102401
pinnacle.santas@gmail.com

DTC 200249 (2)
DENVOR RAM DTC 200249
Ouerskap Vaar Moer
DNS
Genomies

GW 190090 (2)
VAN DER LINDE EWE GW190090
OEL 20.5 ILP 359 OPI 111
Gelam 3 Lammers 5 Gespeen 4



Groei					Reproduksie			
VSpn. Dir	VSpn. Mat	Spn. Dir	Spn. Mat	Na-Spn.	GLS	TWW	OEL	ILP
109	129	122	131	115	101	101	101	87
64%	41%	63%	34%	44%	30%	30%	26%	23%



EBV Analise 2024-04-04

Logix Meriete Indeks	125
Groei Indeks	131
Reproduksie Indeks	122

VERKOPER OPMERKINGS: Dragtig van HN 22-37



LOT 31 (F)

WCN 220109

WALCON EWE WCN220109



Herd Book	SP	
Birth date	2022-08-23	
Age	1.7 years	
Inbreeding	7.09%	
Birth Stat.	2	
AFL	ILP	EPI
-	-	-

WALCON

Wellington, Western Cape
0832647101
stefan@walcon.co.za

DTC 200148 (1)
DENVOR RAM DTC 200148

Parentage Sire Dam

DNA

Genomic

P 180702 (2)

DENVOR EWE P180702
AFL 14.4 | ILP 313 | EPI 128
Lambd 5 | Lams 9 | Weaned 7

JC 170009

JANCOR RAM JC170009

DTC 190011

DENVOR OOI DTC190011
AFL 16.7 | ILP 285 | EPI 98
Lambd 4 | Lams 5 | Weaned 5

DTC 150103

DENVOR RAM DTC150103

DTC 120442

DENVOR EWE DTC 120442
AFL - | ILP - | EPI 159
Lambd 6 | Lams 13 | Weaned 8

JANCOR RAM JC 140046

JANCOR EWE JC150121
AFL 14.1 | ILP 411 | EPI -
Lambd 6 | Lams 8 | Weaned 8

DENVOR RAM DTC170156

DENVOR EWE DTC 170130
AFL 22.7 | ILP 179 | EPI 84
Lambd 3 | Lams 3 | Weaned 1

ROSVILLE RAM ROS 130047

DENVOR EWE DTC120055
AFL - | ILP - | EPI 137
Lambd 6 | Lams 7 | Weaned 7

DENVOR RAM DTC 070062

DENVOR EWE DTC 080424
AFL - | ILP - | EPI 83
Lambd 6 | Lams 11 | Weaned 2

Growth					Reproduction			
PreWn. Dir	PreWn. Mat.	Wn. Dir.	Wean Mat.	Post-Wn.	NLW	TWW	AFL	ILP
126	86	128	91	122	103	103	100	96
61%	39%	59%	33%	31%	31%	31%	25%	26%



EBV Analysis 2024-04-04

Logix Merit Index	119
Growth Index	119
Reproduction Index	103

SELLER REMARKS: Dragtig, geloop by WCN21109 tot 18/02/2024. Dogter van Jackpot (DTC200148) Pragtige jong ooi met baie breedte, lengte en houding. Dragtig

LOT 32 (F)

RN 230036

NELRU EWE RN230036



Herd Book	SP	
Birth date	2023-06-14	
Age	10 months	
Inbreeding	8.48%	
Birth Stat.	3	
AFL	ILP	EPI
-	-	-

L.R. NEL

Stella, Northern Cape
0731382359
rudinel0@gmail.com

DTC 210091 (1)
DENVOR RAM DTC210091

Parentage Sire Dam

DNA

Genomic

DTC 130165 (1)

DENVOR EWE DTC130165
AFL - | ILP - | EPI 103
Lambd 9 | Lams 13 | Weaned 9

GE 150111

GERUNE RAM GE150111

DTC 170030

DENVOR EWE DTC 170030
AFL 20.1 | ILP 334 | EPI 140
Lambd 7 | Lams 8 | Weaned 7

DTC 110218

DENVOR RAM DTC 110218

DTC 110229

DENVOR EWE DTC 110229
AFL - | ILP - | EPI 141
Lambd 6 | Lams 8 | Weaned 8

GERUNE RAM GE130088

GERUNE EWE GE130006
AFL 17 | ILP 382 | EPI -
Lambd 4 | Lams 6 | Weaned 5

ROSVILLE RAM ROS150020

DENVOR EWE DTC130231
AFL - | ILP - | EPI 103
Lambd 7 | Lams 11 | Weaned 10

DENVOR RAM DTC090122

DENVOR EWE DTC 100315
AFL - | ILP - | EPI 87
Lambd 1 | Lams 1 | Weaned -

DENVOR RAM DTC 090311

DENVOR EWE DTC 070030
AFL 24.1 | ILP 323 | EPI 201
Lambd 8 | Lams 14 | Weaned 10

Growth					Reproduction			
PreWn. Dir	PreWn. Mat.	Wn. Dir.	Wean Mat.	Post-Wn.	NLW	TWW	AFL	ILP
84	98	93	96	93	90	90	93	107
63%	43%	62%	38%	31%	37%	37%	30%	27%



EBV Analysis 2024-04-04

Logix Merit Index	83
Growth Index	89
Reproduction Index	91

SELLER REMARKS: Plofstof dogter. Jong oop ooi.

LOT 33 (F)

HW 220116

HENLIN EWE HW220116



Herd Book	SP	
Birth date	2022-09-15	
Age	1.6 years	
Inbreeding	6.59%	
Birth Stat.	2	
AFL	ILP	EPI
16.6m	-	-
Lambd	1	
Lams	1	
Weaned	0	

HENLIN STOETERY

Reitz, Free State
0721711573
wbhbdy@gmail.com

DTC 200231 (2)
DENVOR RAM DTC 200231

Parentage Sire Dam

DNA

Genomic

DTC 170371 (1)

DENVOR EWE DTC 170371
AFL 18.2 | ILP 425 | EPI 120
Lambd 5 | Lams 10 | Weaned 9

DTC 170351

DENVOR RAM DTC 170351

DTC 180117

DENVOR EWE DTC180117
AFL 23.2 | ILP 248 | EPI 98
Lambd 4 | Lams 7 | Weaned 6

HM 150052

UITBLINK RAM HM150052

DTC 120195

DENVOR EWE DTC120195
AFL - | ILP - | EPI 101
Lambd 6 | Lams 11 | Weaned 7

DENVOR RAM DTC160722

DENVOR EWE DTC120234
AFL - | ILP - | EPI -
Lambd 8 | Lams 15 | Weaned 13

JANCOR RAM JC150077

DENVOR EWE DTC150076
AFL 20.4 | ILP 271 | EPI 131
Lambd 5 | Lams 10 | Weaned 10

DENVOR RAM DTC120153

DENVOR EWE DTC 110076
AFL 16.1 | ILP 476 | EPI 81
Lambd 3 | Lams 4 | Weaned 1

DENVOR RAM DTC 110069

DENVOR EWE DTC 110043
AFL - | ILP - | EPI 91
Lambd 3 | Lams 4 | Weaned 4

Growth					Reproduction			
PreWn. Dir	PreWn. Mat.	Wn. Dir.	Wean Mat.	Post-Wn.	NLW	TWW	AFL	ILP
120	93	121	98	119	118	118	98	101
63%	42%	61%	36%	43%	34%	34%	31%	25%



EBV Analysis 2024-04-04

Logix Merit Index	127
Growth Index	116
Reproduction Index	117

SELLER REMARKS: Loop saam met ram HW 22 122 vanaf 1 - 20 April 2024.

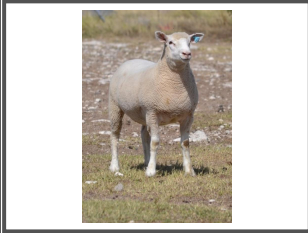


NASIONALE ELITE IDF VEILING

BLOEMSKOU GRONDE 27 April 2024



LOT 35 (F)



ROS 230014

ROSVILLE EWE ROS230014

Kuddeboek	SP	
Geb. dtm	2023-04-01	
Oud.	1.1 jaar	
Inteling	10.15%	
Geb. Status	1	
OEL	ILP	OPI
-	-	-

W.H. OOSTHUIZEN



Vryburg, North West

0824521520

rossville.boerdery@gmail.com

DTC 170167 (1)
DENVOR RAM DTC 170167

Ouerskap Vaar Moer

DNS

Genomies

ROS 190005 (2)
ROSVILLE EWE ROS190005
OEL 15.3 | ILP 420 | OPI 118
Gelam 4 | Lammers 6 | Gespeen 4

HM 150052
UITBLINK RAM HM150052
DENVOR RAM DTC120153
DENVOR EWE DTC 110076
OEL 16.1 | ILP 476 | OPI -
Gelam 3 | Lammers 4 | Gespeen 1

DTC 120055
DENVOR EWE DTC120055
OEL - | ILP - | OPI 137
Gelam 6 | Lammers 8 | Gespeen 7
DENVOR RAM DTC 100313
DENVOR EWE DTC 080063
OEL - | ILP - | OPI 99
Gelam 5 | Lammers 7 | Gespeen 4

DTC 050071
DENVOR RAM DTC 050071
DENVOR RAM DTC 030058
DENVOR OOI DTC020294
OEL - | ILP - | OPI 91
Gelam 4 | Lammers 5 | Gespeen 4

ROS 160030
ROSVILLE EWE ROS160030
OEL 25 | ILP 287 | OPI 157
Gelam 8 | Lammers 11 | Gespeen 9
DENVOR RAM DTC120220
ROSVILLE EWE ROS120009
OEL 21.8 | ILP 769 | OPI 85
Gelam 2 | Lammers 3 | Gespeen -

Groeï					Reproduksie			
VSpn. Dir	VSpn. Mat	Spn. Dir.	Spn. Mat.	Na-Spn.	GLS	TWW	OEL	ILP
119	95	111	98	110	98	98	103	101
63%	47%	62%	41%	41%	40%	40%	33%	33%



EBV Analise 2024-04-04

Logix Meriete Indeks **111**

Groeï Indeks **111**

Reproduksie Indeks **102**

VERKOPER OPMERKINGS: Jong ooi loop by Victor DTC19120 vanaf 31/03/2024 tot 24/04/2024.



EXPLANATION OF CATALOGUE ABBREVIATIONS		VERDUIDELIKING VAN KATALOGUS AFKORTINGS	
Lot Number	LOT	LOT	Lot Nommer
Animal sex: M - Male, F - Female	M / F	M / V	Dier geslag: M - Manlik, V - Vroulik
Estimated breeding value	EBV	EBV	Beraamde teelwaarde
Animal identification number	ID	ID	Dier se identifikasie nommer
Herd Book Section (SEC)	Herd Book	Kuddeboek	Kuddeboek Afdeling (SEC)
SEC: Pending Registration	PEN	PEN	SEC: Wag vir Registrasie
SEC: Not for Registration	NFR	NFR	SEC: Nie vir Registrasie
SEC: Foundation Generation	FO	FO	SEC: Fondasie Generasie
SEC: Appendix A	A	A	SEC: Aanhangel A
SEC: Appendix B	B	B	SEC: Aanhangel B
SEC: Studbook Proper, a registered animal	SP	SP	SEC: Studbook Proper, 'n geregistreerde dier
Age in years	AGE	OUD.	Ouderdom in jaar
Animal is a singleton, Twin, Triplet etc.	Birth Stat.	Geb. Status	Dier is n enkeling, tweeling, drieling esv.
Age at First Lambing	AFL	OEL	Ouderdom met Eerst Lamming
Inter-Lambing Period	ILP	ILP	Interlam Periode
Ewe Production Index	EPI	OPI	Ooi Produksie Indeks
Number of times lambed	Lambed	Gelam	Aantal keer gelam
Number of lambs born	Lambs	Lammers	Aantal lammers gebore
Number of lambs weaned	Weaned	Gespeen	Aantal lammers gespeen
Parentage verification	Parentage	Ouerskap	Ouerskap verifikasie
Microsatellite parentage verification	DNA	DNS	Mikrosateliet ouerskap verifikasie
Microsatellite parentage verification	DNA	DNS	Mikrosateliet ouerskap verifikasie
Genomic Testing via SNPs	Genomic	Genomies	Genetiese toetsing dmv SNPs
Genomically Tested	GT	GT	Genomies Getoets
Logix Merit Index	LMI	LMI	Logix Meriete Indeks
Growth Index	GI	GI	Groei Indeks
Reproduction Index	RI	RI	Reproduksie Indeks
Pre-Wean Direct breeding value	PreWn. Dir.	VSpn. Dir	Voorspeen Direk teelwaarde
Pre-Wean Maternal breeding value	PreWn. Mat.	VSpn. Mar	Voorspeen Maternaal teelwaarde
Wean Direct breeding value	Wean Dir.	Spn. Dir.	Speen Direk teelwaarde
Wean Maternal breeding value	Wean Mat.	SPn. Mat.	Speen Maternaal teelwaarde
Post-Wean breeding value	Post-Wn.	Na-pn.	Na-Speen teelwaarde
Number of Lambs Weaned breeding value	NLW	GLS	Getal Lammers Gespeen teelwaarde
Total Weight Weaned breeding value	TWW	TWW	Totale Gewig Gespeen teelwaarde