

SWARTLAND VEEBOERE

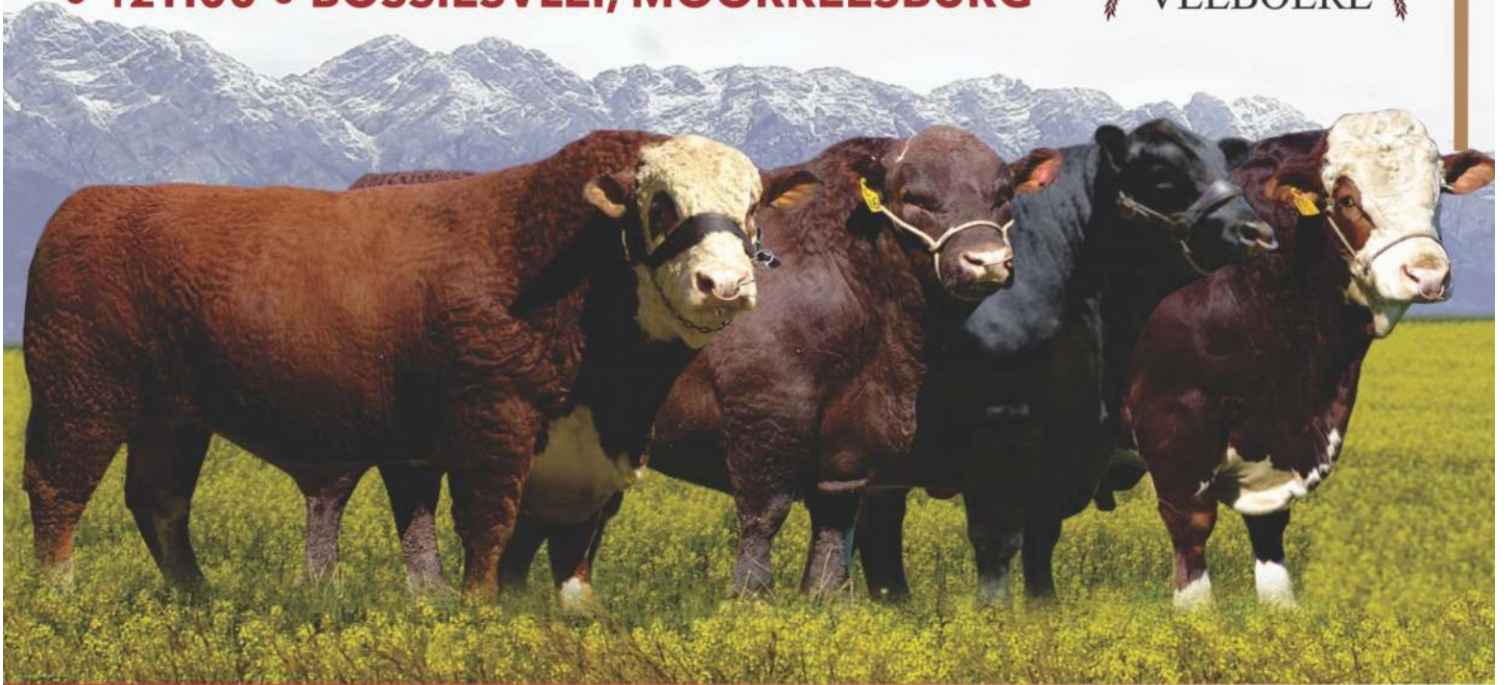
JAARLIKSE VEILING

SATERDAG, 14 SEPTEMBER 2024

• 12H00 • BOSSIESVLEI, MOORREESBURG



SWARTLAND
VEEBOERE



AANBOD:

13 HEREFORD BULLE

10 HEREFORD VROULIK

10 ANGUS BULLE

10 ANGUS VROULIK

6 SIMMENTALER BULLE

10 SIMMENTALER VROULIK

2 SUSSEX BULLE

3 SUSSEX VROULIK

SA HEREFORD
SINCE 1917



±1 000 SLAGLAMMERS



KATALOGUS

BKB
LEWENDEHAWE &
AFSLAERSDIENSTE

39^{ste}



SWARTLAND

VEEBOERE

VEILING



LOT 23-42

BKB
LEWENDEHAWE &
AFSLAERSDIENSTE



Locheim *Angus*



LOT 24 WDW 200008



LOT 25 WDW 200034



LOT 26 WDW 200032



LOT 27 WDW 210015



LOT 28 WDW 230039



LOT 29 WDW 230006

082 783 0011 | 022 433 2555/6 | locheim@xsinet.co.za | Drieheuwels | Moorreesburg

www.locheim.co.za



Locheim *Angus*



LOT 30 WDW 220013



LOT 31 WDW 220068



LOT 32 WDW 220026



LOT 33 WDW 210044



LOT 34 WDW 210039



LOT 35 WDW 210056

082 783 0011 | 022 433 2555/6 | locheim@xsinet.co.za | Drieheuwels | Moorreesburg

www.locheim.co.za



Locheim Angus



LOT 36 WDW 220043



LOT 37 WDW 220006



LOT 38 WDW 220050



LOT 39 WDW 220063



LOT 40 WDW 220055



LOT 41 WDW 220028

082 783 0011 | 022 433 2555/6 | locheim@xsinet.co.za | Drieheuwels | Moorreesburg

www.locheim.co.za

ANIMAL, OWNER AND PEDIGREE INFORMATION

1
2
3
4
5

LOT 1 (M)

Breed Logo

SB 200201 PP(c)
SUPERBULL'S SUPERSTAR SB 200201

SB 110001
SUPERBULL SB 11 0100

6

Herd Book	SP
Birth date	2020-01-01
Age	2y 7m
Inbreeding	1%
DNA	ABC001234

9 (& 10)

Parentage	Sire	Dam
DNA	✓	
Genomic	✓	

11

SB 140007
SUPERBULL SB 140007 Pp(c)

SB 110012 P
SUPERBULL SB 110012
Age 10 | AFC 32 | ICP 475
Calves 5 | Weaned -
Avg. WI - | Wean Mat. 80

SB 110001
SUPERBULL SB 110400

SB 060004 Pch
SUPERBULL SB 060004
Age 13 | AFC 72 | ICP 360
Calves 8 | Weaned 7
Avg. WI 105 | Wean Mat. 110

13

SUPERBULL BREEDERS

Town, Province 8

078 737 2855

super_bull@webmail.com

1. Lot Number & sex (mixed lots)
2. Breed's logo
3. GT - animal is genomically tested
4. Animal Identification Number and Name
5. Polled Status
 - Celtic: PP(c)/Pp(c) - polled, HH(c) - horned
 - Phenotypic: P/Pch - polled, HH - horned, SC - scurs
6. Animal's photo, or Herd's logo
7. Herd's logo
8. Owner's information
9. Animal's information
 - Herd book section
 - Birth date
 - Animal's age
 - Animal's inbreeding percentage
 - DNA Number - if available
10. Additional information (only females)
 - Age at first calving
 - Number of calves born
 - Number of calves weaned
 - Average Wean Index
 - Intercalving Period
11. Parentage Verification - a green tick (✓) indicates that the sire and/or dam has been verified via microsatellite (DNA) and/or Genomic testing
12. Dam information
 - Age and Number of Calvings
 - Average Wean Index and Number of Calves Weaned
 - Age at First Calving and Intercalving Period
 - Cow award
13. Four (4) generation pedigree

QR Code

This code can be scanned with a smart device. It redirects to the animal's information on www.SABeeFBulls.com where additional information for the animal is available.



Myostatin	
Q204X	Free
NT821	Carrier
F94L	Not Tested

Myostatin Results

- Free - free from double muscling genes
- Carrier - heterozygotic / carrier of one double muscling gene
- D. Muscled - homozygotic / double muscled

GENETIC VALUES - BUILDING BLOCKS

Calf and Mother				Fertility				Post-Wean Growth			Frame			Carcass		
Birth Dir.	Birth Mat.	Wean Dir.	Wean Mat.	Scr. Circ.	Heifer Fert.	Cow Fert.	Longev.	Post Wean	ADG	FCR	Mature Weight	Height	Length	EMA	Fat	Mar
83	121	130	89	112	84	101	112	125	126	129	113	104	115	149	82	119
87%	70%	83%	70%	81%	68%	59%	69%	72%	76%	80%	65%	81%	80%	77%	74%	73%

The Logix Selection Values are compiled of specific genetic building blocks, as indicated in the selection value descriptions on the next page. These genetic building blocks are indicated in the catalogue by their Breeding Value indices and accuracies.

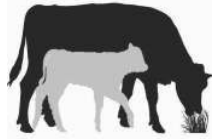
PHENOTYPIC VALUES

Birth Weight	205D Weight	365D Weight	540D Weight	ADG Index	FCR Index	Scrotum	LH
47kg	239kg 109 (19)	284kg 99 (10)	390kg 92 (10)	1680g/d 90 (13)	6.08 98	353mm (D1)	1.20

- 205D, 365D, 540D weights - adjusted weaning, year and 18 month weights, the phenotypic index obtained, and the number of animals in the contemporary group
- ADG and FCR Indices - phenotypic index obtained within the animal's contemporary group
- Scrotum - adjusted scrotal circumference, in mm, as measured at the end of the growth test, as well as the growth test type
- Length-Height Ratio (LH) - the animal's length to height ratio, as measured at the end of the growth test

LOGIX SELECTION VALUES

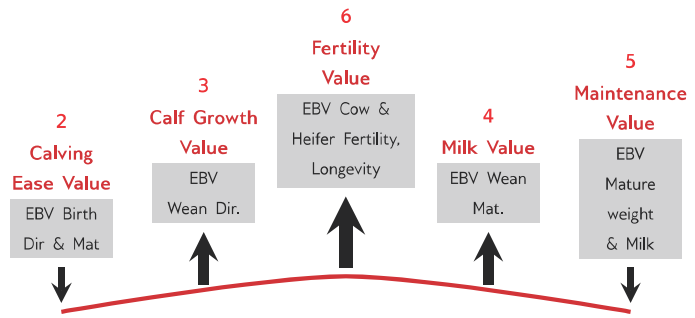
COW VALUE 108	
103	Calving Ease Value
118	Calf Growth Value
86	Milk Value
80	Maintenance Value
110	Fertility Value
GROWTH VALUE 105	
CARCASS VALUE 110	
PRODUCTION VALUE 103	



1 L♀ GIX Cow Value

Selection for:

- Fertile cows,
- with low maintenance,
- that calf easily,
- and wean heavy calves



7 L♀ GIX Growth Value

Selection for efficient growers on veld & in the feedlot



8 L♀ GIX Carcass Value

Selection for higher meat yield on carcass



9 L♀ GIX Production Value

Selection for easy-care, Profitable cattle

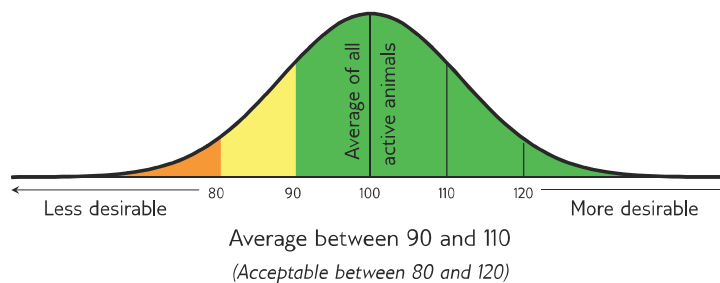
- 80% Cow Value
- 20% Growth Value

EXPLANATION OF BREEDING VALUES AND SELECTION VALUES

Traits	Description/Measurement	Goal	General Guidelines				
			-80	-90	90-110	-110	-120
Selection Values	1 Cow Value	Profitable Cow	Loss				Profit
	2 Calving Ease Value	Avg. birth weight	High				Low
	3 Calf Growth Value	Heavy weaner calf	Light				Heavy
	4 Milk Value	Enough milk for the calf	Less				More
	5 Maintenance Value	Low cow maintenance	High			*	Low
	6 Fertility Value	Fertile cows	Low				High
	7 Growth Value	Profitable growth	Loss				Profit
	8 Carcass Value	More meat on the carcass	Less				More
	9 Production Value	Profitable animals	Loss				Profit
Cow & Heifer	10 Birth Weight Direct	Avg. birth weight	Heavy				Light
	11 Birth Weight Maternal	Easy calving	Heavy				Light
	12 Weaning Weight Direct	Heavy weaner calves	Light				Heavy
	13 Weaning Weight Maternal	Good mothers	Poor				Good
	21 Mature Cow Weight	Avg. mature cow weight	Light			*	Heavy
Fertility	14 Heifer Fertility	Fertile heifers	Less				More
	15 Cow Fertility	Fertile cows	Less				More
	16 Scrotal Circumference	Fertile bulls	Less				More
	17 Longevity	Acceptable progeny	Poor				Good
Growth & Frame	18 Post-Wean Weight	Good post-wean growth	Low			*	High
	19 Average Daily Gain	Good growth	Poor				Good
	20 Feed Conversion Ratio	Feed efficiency	Poor				Good
	22 Height	Heavy carcass	Light			*	Heavy
	23 Length	Average height	Short				Tall
	24 Length-Height Ratio	Longer for more muscle	Short				Long
Carcass	25 Eye Muscle Area	Bigger steaks	Small				Big
	26 Fat Thickness	Carcass quality	Thin				Thick
	27 Marbling	Juicy meat	Low				High

* Determined by own selection goal

INTERPRETATION OF BREEDING VALUE INDICES

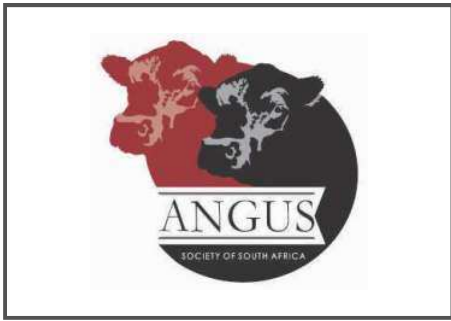




LOT 23 (M)



WDW 220022
LOCHEIM MINDSET



H.W. DE WAAL

Moorreesburg, Western Cape
locheim@xsinet.co.za

POSBUS 38, MOORREESBURG, 7310

Herd Book	SP
Birth date	2022-04-11
Age	2y 5m
Inbreeding	4%
DNA	UI7958U002

DE 190006
DEPANNE SATION
Wean Mat. 108

Parentage	Sire	Dam
DNA	✓	
Genomic		

CNS 130154
NIEUWOUDIA MIDNIGHT 2DE
Age 11y | AFC 30m | ICP 358d
Calves 9 | Weaned 8 | Wean Mat. 104
Avg. WI 100 | CCB 5.6 | CCW 47.1

Calvings: 15-07, 16-07, 17-07,
18-07, 19-06, 20-05, 21-05,
22-04, 23-05

5615C
S A V SENSATION 5615
Wean Mat. 98

DE 150021
DEPANNE HOT GIRL 11 DE
Age 8y | AFC 34m | ICP 367d
Calves 4 | Weaned 2 | Wean Mat. 119
Avg. WI 96 | Wean Mat. 119

8164
S A V FREE SPIRIT 8164
Wean Mat. 98

CNS 090965
NIEUWOUDIA MIDNIGHT
Age 10y | AFC 31m | ICP 381d
Calves 7 | Weaned 5 | Wean Mat. 103
Avg. WI 99 | Wean Mat. 103

1830463
SAV REGISTRY 2831
4136
SAV BLACKCAP MAY 4136
Age 21y | Avg. WI -
Calves - | Weaned -
2020
S A V INTERNATIONAL 2020
DE 060061
DEPANNE HOT 023000 15TE
Age 17y | Avg. WI 99
Calves 12 | Weaned 10
4200
S A V NET WORTH 4200
5463
S A V EMBLYNETTE 5463
Age 22y | Avg. WI -
Calves - | Weaned -
DE 060059
DEPANNE 24 JAN
JFT 000011
JARRAHNUP JFT 00 011
Age 19y | Avg. WI 93
Calves 9 | Weaned 3

COW VALUE 90

103	Calving Ease Value
86	Calf Growth Value
113	Milk Value
99	Maintenance Value
99	Fertility Value

GROWTH VALUE 104

CARCASS VALUE 103

PRODUCTION VALUE 91



EBV Analysis 2024-08-19

Calf and Mother				Fertility			
Birth Dir.	Birth Mat.	Wean Dir.	Wean Mat.	Scr. Circ.	Heifer Fert.	Cow Fert.	Longev.
113	87	86	113	92	97	95	106
71%	44%	47%	43%	31%	30%	18%	44%

Post-Wean Growth			Frame			Carcass		
Post Wean	ADG	FCR	Mature Weight	Height	Length	EMA	Fat	Mar
89	104	106	100	92	99	100	107	125
30%	30%	18%	37%	32%	31%	30%	28%	28%

Birth Weight	205D Weight	365D Weight	540D Weight	ADG Index	FCR Index	Scrotum	LH
30kg	264kg 100 (1)	-	-	-	-	-	-



Myostatin	
Q204X	Not Tested
NT821	Not Tested
F94L	Not Tested

SELLER REMARKS: Goed besperde gladde bul om die veiling mee te begin. Hy is in ons skoustring.

LOT 24 (F)



WDW 200008
LOCHEIM DUETT



H.W. DE WAAL

Moorreesburg, Western Cape
locheim@xsinet.co.za

POSBUS 38, MOORREESBURG, 7310

Herd Book	SP
Birth date	2020-05-27
Age	4y 4m
Inbreeding	3%
AFC	32m
Calves	2
Weaned	1
Avg. WI	100
ICP	406d

DE 160021
DEPANNE FULL POWER
Wean Mat. 114

Parentage	Sire	Dam
DNA		
Genomic		

WDW 130022
LOCHEIM DUETT
Age 11y | AFC 24m | ICP 358d
Calves 10 | Weaned 7 | Wean Mat. 97
Avg. WI 100 | CCB 5.8 | CCW 46.6

Calvings: 15-07, 16-07, 17-07,
18-11, 19-08, 20-05, 21-05, 22-04,
23-07, 24-05

DE 130280
DEPANNE DE PANNE HARVESTOR 4
Wean Mat. 114

DE 130033
DEPANNE DE PANNE MAGNA 21STE
Age 11y | AFC - | ICP 371d
Calves 8 | Weaned 5 | Wean Mat. 102
Avg. WI 103 | Wean Mat. 102

WB 090024
MEQUATLING ALLDAY
Wean Mat. 109

SV 070027
SKILPADVLEI DUETT 2
Age 13y | AFC 23m | ICP 378d
Calves 8 | Weaned 7 | Wean Mat. 91
Avg. WI 100 | Wean Mat. 91

0338
S A V HARVESTOR 0338
WB 990988
MEQUATLING JEWEL 988
Age 15y | Avg. WI 111
Calves 7 | Weaned 5
0207
S A V FIRST CLASS 0207
DE 990012
DEPANNE MAGNA 4DE
Age 12y | Avg. WI 103
Calves 7 | Weaned 5
187
KMK ALLIANCE 6595 187
WB 070076
MEQUATLING MEDITERRANEAN 07007
Age 4y | Avg. WI 96
Calves 2 | Weaned 2
WB 980618
MEQUATLING POWERPACK
CAN 000002
MOLENKOP DUETT
Age 9y | Avg. WI 103
Calves 6 | Weaned 5

COW VALUE 114

90	Calving Ease Value
119	Calf Growth Value
103	Milk Value
96	Maintenance Value
93	Fertility Value

GROWTH VALUE 102

CARCASS VALUE 110

PRODUCTION VALUE 112



EBV Analysis 2024-08-19

Calf and Mother				Fertility			
Birth Dir.	Birth Mat.	Wean Dir.	Wean Mat.	Scr. Circ.	Heifer Fert.	Cow Fert.	Longev.
86	101	119	103	104	104	90	92
74%	64%	66%	49%	42%	59%	30%	55%

Post-Wean Growth			Frame			Carcass		
Post Wean	ADG	FCR	Mature Weight	Height	Length	EMA	Fat	Mar
116	102	104	104	108	113	120	85	102
36%	37%	20%	39%	43%	41%	37%	33%	33%

Birth Weight	205D Weight	365D Weight	540D Weight	ADG Index	FCR Index	Scrotum	LH
31kg	316kg 118 (8)	-	-	-	-	-	-



Myostatin	
Q204X	Not Tested
NT821	Not Tested
F94L	Not Tested

SELLER REMARKS: Top teelkoei. Kyk na haar bulkalf. Sy is die ma van WDW23-06. Die vers wat die jackpot klas gewen het.



LOT 25 (F)



WDW 200034
LOCHEIM TWENTY TWENTY



Kuddeboek	SP
Geb. dtm	2020-05-15
Oud.	4j 4m
Inteling	6%
OEK	32m
Kalwers	2
Gespeen	0
Gem. SI	-
TKP	407d

H.W. DE WAAL

Moorreesburg, Western Cape
locheim@xsinet.co.za

POSBUS 38, MOORREESBURG, 7310

Laaste Kalf	
Kalf ID	WDW 240031 (M)
Geb. datum	2024-03-03
Vaar ID	DE 190006

Kalwings: 23-01, 24-03



Miostatien	
Q204X	Nie Getoets
NT821	Nie Getoets
F94L	Nie Getoets

KOEIWAARDE 109

81	Kalfgemak Waarde
110	Kalfgroei Waarde
115	Melk Waarde
103	Onderhoudswaarde
95	Vrugbaarheidswaarde

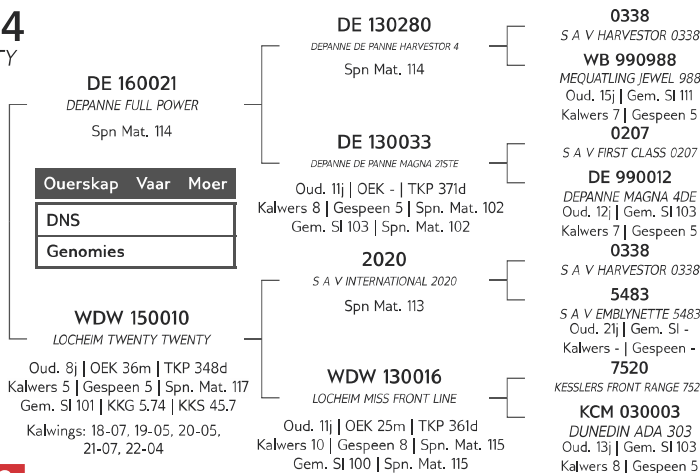
GROEI WAARDE 104

KARKAS WAARDE 107

PRODUKSIE WAARDE 108

Geb. Gewig	205D Gewig	365D Gewig	540D Gewig	GDT Indeks	VOV Indeks	Skrotum	LH
33kg	230kg 93 (12)	-	-	-	-	-	-

VERKOPER OPMERKINGS: Hier is 'n uistaande koei verkoop met 'n bulkalf van DE 19-06.



EBV Analise 2024-08-19

Kalf en Moeder				Vrugbaarheid			
Geb. Dir.	Geb. Mat.	Spn. Dir.	Spn. Mat.	Skr. Omtr.	Vers Vrugb.	Koei Vrugb.	Lanklew.
90	82	110	115	103	109	86	94
73%	63%	67%	50%	43%	60%	28%	54%

Na-Speen Groei			Raam			Karkas		
Na-Speen	GDT	VOV	Volw. Gewig	Hoogte	Lengte	OSO	Vet	Mar
110	105	112	95	103	103	115	92	102
33%	39%	25%	35%	44%	42%	39%	36%	35%

LOT 26 (F)



WDW 200032
LOCHEIM JESSICA11



Kuddeboek	SP
Geb. dtm	2020-05-12
Oud.	4j 4m
Inteling	2%
OEK	32m
Kalwers	2
Gespeen	0
Gem. SI	-
TKP	374d

H.W. DE WAAL

Moorreesburg, Western Cape
locheim@xsinet.co.za

POSBUS 38, MOORREESBURG, 7310

Laaste Kalf	
Kalf ID	WDW 240006 (F)
Geb. datum	2024-02-02
Vaar ID	DE 190006

Kalwings: 23-01, 24-02



Miostatien	
Q204X	Nie Getoets
NT821	Nie Getoets
F94L	Nie Getoets

KOEIWAARDE 110

99	Kalfgemak Waarde
114	Kalfgroei Waarde
95	Melk Waarde
96	Onderhoudswaarde
96	Vrugbaarheidswaarde

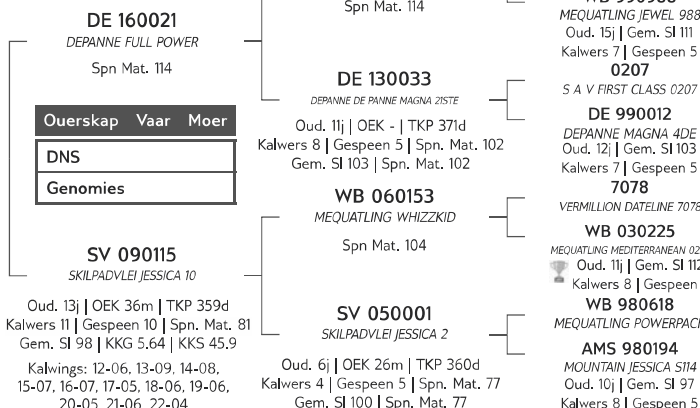
GROEI WAARDE 96

KARKAS WAARDE 102

PRODUKSIE WAARDE 107

Geb. Gewig	205D Gewig	365D Gewig	540D Gewig	GDT Indeks	VOV Indeks	Skrotum	LH
30kg	236kg 97 (12)	-	-	-	-	-	-

VERKOPER OPMERKINGS: Sy is in ons skoustring. Mooi verskalf by haar. Uitstekende uier op haar.



EBV Analise 2024-08-19

Kalf en Moeder				Vrugbaarheid			
Geb. Dir.	Geb. Mat.	Spn. Dir.	Spn. Mat.	Skr. Omtr.	Vers Vrugb.	Koei Vrugb.	Lanklew.
89	110	114	95	97	102	98	92
75%	64%	69%	53%	42%	59%	31%	55%

Na-Speen Groei			Raam			Karkas		
Na-Speen	GDT	VOV	Volw. Gewig	Hoogte	Lengte	OSO	Vet	Mar
111	96	101	104	102	102	111	83	102
41%	37%	20%	36%	43%	41%	37%	33%	33%



LOT 27 (M)



WDW 210015
LOCHEIM DIAMANT



H.W. DE WAAL

Moorreesburg, Western Cape
locheim@xsinet.co.za

POSBUS 38,,MOORREESBURG, 7310

Herd Book	SP
Birth date	2021-05-28
Age	3y 3m
Inbreeding	1%
DNA	U14660U010

DE 170002
DEPANNE LOCOMOTIVE
Wean Mat. 98

Parentage	Sire	Dam
DNA	✓	
Genomic		

WDW 130004
LOCHEIM DANIKA

Age 11y | AFC 29m | ICP 470d
Calves 8 | Weaned 6 | Wean Mat. 96
Avg. WI 101 | CCB 5.41 | CCW 47.5
Calvings: 15-07, 17-07, 18-11,
20-05, 21-05, 22-06, 23-05,
24-07

S00403Y
S00 LINE LOCOMOTIVE 1403
Wean Mat. 98

DE 130230
DEPANNE DE PANNE JEWEL 3
Age 11y | AFC - | ICP 374d
Calves 7 | Weaned 6 | Wean Mat. 91
Avg. WI 97 | Wean Mat. 91

4336
S A V 004 DENSITY 4336
Wean Mat. 83

KCM 030003
DUNEDIN ADA 303

Age 13y | AFC 38m | ICP 367d
Calves 8 | Weaned 5 | Wean Mat. 115
Avg. WI 103 | Wean Mat. 115

9016
S00 LINE MOTIVE 9016
2039
SHADY BROOK EVERESTEN 2039
Age 22y | Avg. WI -
Calves - | Weaned -
RCE367N
DOUBLE AA OLD POST RANDOLIER
WB 990988
MEQUATLING JEWEL 988
Age 15y | Avg. WI 111
Calves 7 | Weaned 5
004
S A V 8180 TRAVELLER 004
9124
S A R PROSPECTOR MAY 9124
Age 31y | Avg. WI -
Calves 2 | Weaned -
HR 010733
WOODVIEW SUMMER HEAT
KCM 970031
DUNEDIN ADA 9731
Age 13y | Avg. WI 115
Calves 8 | Weaned 6

COW VALUE 94

101	Calving Ease Value
100	Calf Growth Value
97	Milk Value
99	Maintenance Value
85	Fertility Value

GROWTH VALUE 102

CARCASS VALUE 105

PRODUCTION VALUE 94



EBV Analysis 2024-08-19

Calf and Mother					Fertility		
Birth Dir.	Birth Mat.	Wean Dir.	Wean Mat.	Scr. Circ.	Heifer Fert.	Cow Fert.	Longev.
101	100	100	97	99	82	83	109
79%	50%	65%	47%	24%	45%	23%	52%

Post-Wean Growth			Frame			Carcass		
Post Wean	ADG	FCR	Mature Weight	Height	Length	EMA	Fat	Mar
103	106	111	101	98	98	101	119	97
32%	23%	15%	37%	24%	24%	20%	19%	18%

Birth Weight	205D Weight	365D Weight	540D Weight	ADG Index	FCR Index	Scrotum	LH
26kg	290kg 107 (7)	-	-	-	-	-	-

USED IN HERD (9)



Myostatin	
Q204X	Not Tested
NT821	Not Tested
F94L	Not Tested

SELLER REMARKS: Bulle soos Diamant kom een maal in 'n leeftyd. Reserwe kalf kampioen 2022 en nasionale kampioen 2024.

LOT 28 (F)



WDW 230039
LOCHEIM SUNDOWNER



H.W. DE WAAL

Moorreesburg, Western Cape
locheim@xsinet.co.za

POSBUS 38,,MOORREESBURG, 7310

Herd Book	SP
Birth date	2023-02-02
Age	1y 7m
Inbreeding	2%

DE 190006
DEPANNE SATION
Wean Mat. 108

Parentage	Sire	Dam
DNA		
Genomic		

WDW 190001
LOCHEIM Moonshine

Age 5y | AFC 26m | ICP 649d
Calves 2 | Weaned 1 | Wean Mat. 107
Avg. WI 100 | CCB 4.63 | CCW -
Calvings: 21-04, 23-02

5615C
S A V SENSATION 5615
Wean Mat. 98

DE 150021
DEPANNE HOT GIRL 11 DE
Age 8y | AFC 34m | ICP 367d
Calves 4 | Weaned 2 | Wean Mat. 119
Avg. WI 96 | Wean Mat. 119

WDW 150034
LOCHEIM WDW1534
Wean Mat. 100

WDW 150030
LOCHEIM MOONSHINE
Age 9y | AFC 30m | ICP 375d
Calves 7 | Weaned 4 | Wean Mat. 122
Avg. WI 90 | Wean Mat. 122

1830463
SAV REGISTRY 2831
4136
SAV BLACKCAP MAY 4136
Age 21y | Avg. WI -
Calves - | Weaned -
2020
S A V INTERNATIONAL 2020
DE 060061
DEPANNE HOT 023000 1STE
Age 17y | Avg. WI 99
Calves 12 | Weaned 10
1139
WILL ROLE MODEL
KCM 020012
DUNEDIN MAIVELIA 212
Age 13y | Avg. WI 107
Calves 8 | Weaned 8
FG 090059
FREDERICKSBURG 4200 LETJUKA FG0
CNS 090965
NIEUWJOLIDA MIDNIGHT
Age 10y | Avg. WI 99
Calves 7 | Weaned 5

COW VALUE 91

90	Calving Ease Value
89	Calf Growth Value
112	Milk Value
100	Maintenance Value
104	Fertility Value

GROWTH VALUE 101

CARCASS VALUE 99

PRODUCTION VALUE 92



EBV Analysis 2024-08-19

Calf and Mother					Fertility		
Birth Dir.	Birth Mat.	Wean Dir.	Wean Mat.	Scr. Circ.	Heifer Fert.	Cow Fert.	Longev.
103	80	89	112	94	114	100	92
69%	38%	47%	32%	30%	34%	18%	39%

Post-Wean Growth			Frame			Carcass		
Post Wean	ADG	FCR	Mature Weight	Height	Length	EMA	Fat	Mar
91	100	103	98	86	94	97	105	120
26%	28%	16%	24%	31%	30%	28%	27%	26%

Birth Weight	205D Weight	365D Weight	540D Weight	ADG Index	FCR Index	Scrotum	LH
33kg	243kg 100 (1)	-	-	-	-	-	-



Myostatin	
Q204X	Not Tested
NT821	Not Tested
F94L	Not Tested

SELLER REMARKS: VERS UIT VAN ONS BESTE KOELIJNE.Sy is geki met MTN JUSTIFY.



LOT 29 (F)



WDW 230006
LOCHEIM TURNING POINT



Kuddeboek	SP
Geb. dtm	2023-01-23
Oud.	1j 8m
Inteling	1%

H.W. DE WAAL

Moorreesburg, Western Cape
loheim@xsinet.co.za

POSBUS 38, MOORREESBURG, 7310



Miostatien	
Q204X	Nie Getoets
NT821	Nie Getoets
F94L	Nie Getoets

KOEIWAARDE 111

100	Kalfgemak Waarde
112	Kalfgroei Waarde
99	Melk Waarde
102	Onderhoudswaarde
95	Vrugbaarheidswaarde

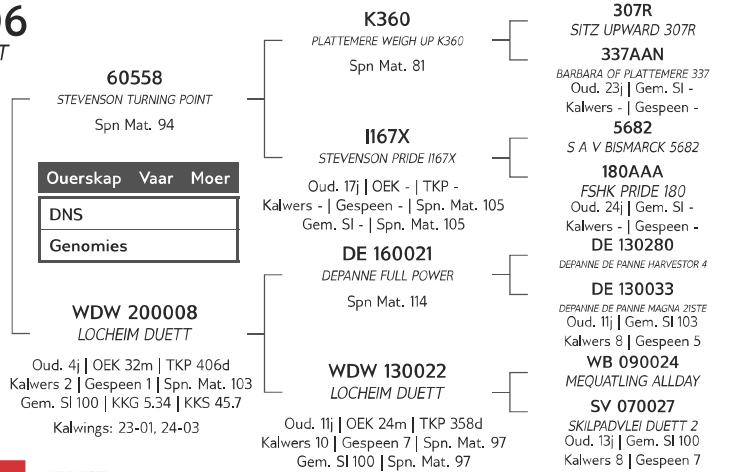
GROEI WAARDE 100

KARKAS WAARDE 109

PRODUKSIE WAARDE 108

Geb. Gewig	205D Gewig	365D Gewig	540D Gewig	GDT Indeks	VOV Indeks	Skrotum	LH
31kg	279kg 100 (1)	-	-	-	-	-	-

VERKOPER OPMERKINGS: Jacpot vers Nasionale skou 2024. Sy is geki met MTN JUSTIFY.



Kalf en Moeder				Vrugbaarheid			
Geb. Dir.	Geb. Mat.	Spn. Dir.	Spn. Mat.	Skr. Omtr.	Vers Vrugb.	Koei Vrugb.	Lanklew.
94	105	112	99	106	99	96	95
67%	36%	45%	31%	27%	33%	19%	40%

Na-Speen Groei			Raam			Karkas		
Na-Speen	GDT	VOV	Volw. Gewig	Hoogte	Lengte	OSO	Vet	Mar
115	103	107	98	103	108	119	94	100
24%	24%	15%	24%	27%	26%	23%	22%	21%

LOT 30 (F)



WDW 220013
LOCHEIM JESSICA



Kuddeboek	SP
Geb. dtm	2022-04-05
Oud.	2j 5m
Inteling	3%

H.W. DE WAAL

Moorreesburg, Western Cape
loheim@xsinet.co.za

POSBUS 38, MOORREESBURG, 7310



Miostatien	
Q204X	Nie Getoets
NT821	Nie Getoets
F94L	Nie Getoets

KOEIWAARDE 101

100	Kalfgemak Waarde
101	Kalfgroei Waarde
104	Melk Waarde
100	Onderhoudswaarde
96	Vrugbaarheidswaarde

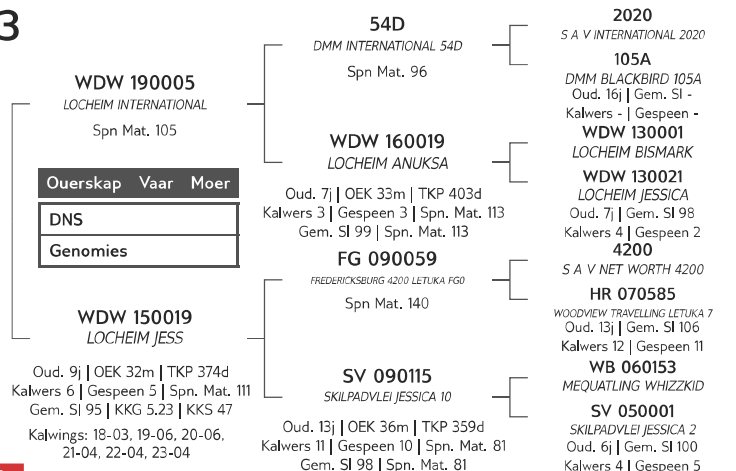
GROEI WAARDE 103

KARKAS WAARDE 104

PRODUKSIE WAARDE 101

Geb. Gewig	205D Gewig	365D Gewig	540D Gewig	GDT Indeks	VOV Indeks	Skrotum	LH
33kg	272kg 95 (5)	-	-	-	-	-	-

VERKOPER OPMERKINGS: Jong vers uit WDW15-19 SY IS BAIE VROLIK EN GAAN N MOOI KOEI WORD. Geki met MTN JUSTIFY.



Kalf en Moeder				Vrugbaarheid			
Geb. Dir.	Geb. Mat.	Spn. Dir.	Spn. Mat.	Skr. Omtr.	Vers Vrugb.	Koei Vrugb.	Lanklew.
101	97	101	104	106	97	99	96
68%	44%	47%	42%	27%	36%	22%	41%

Na-Speen Groei			Raam			Karkas		
Na-Speen	GDT	VOV	Volw. Gewig	Hoogte	Lengte	OSO	Vet	Mar
101	102	105	99	96	100	102	110	105
30%	25%	21%	32%	28%	27%	25%	23%	23%



LOT 31 (M)



WDW 220068
LOCHEIM MEGA BUCKS



H.W. DE WAAL

Moorreesburg, Western Cape
loheim@xsinet.co.za

POSBUS 38,,MOORREESBURG, 7310

Herd Book	SP
Birth date	2022-07-11
Age	2y 2m
Inbreeding	4%
DNA	UI7958U004

DE 190006
DEPANNE SATION
Wean Mat. 108

Parentage	Sire	Dam
DNA	✓	
Genomic		

WDW 130006
LOCHEIM ANANDA
Age 11y | AFC 41m | ICP 362d
Calves 9 | Weaned 5 | Wean Mat. 96
Avg. WI 97 | CCB 5.75 | CCW 46.9
Calvings: 16-07, 17-07, 18-07,
19-07, 20-06, 21-06, 22-07,
23-07, 24-06

5615C
S A V SENSATION 5615
Wean Mat. 98

DE 150021
DEPANNE HOT GIRL 11 DE
Age 8y | AFC 34m | ICP 367d
Calves 4 | Weaned 2 | Wean Mat. 119
Avg. WI 96 | Wean Mat. 119

4336
S A V 004 DENSITY 4336
Wean Mat. 83

KCM 030003
DUNEDIN ADA 303
Age 13y | AFC 38m | ICP 367d
Calves 8 | Weaned 5 | Wean Mat. 115
Avg. WI 103 | Wean Mat. 115

1830463
SAV REGISTRY 2831
4136
SAV BLACKCAP MAY 4136
Age 21y | Avg. WI -
Calves - | Weaned -
2020
S A V INTERNATIONAL 2020
DE 060061
DEPANNE HOT 023000 15TE
Age 17y | Avg. WI 99
Calves 12 | Weaned 10
004
S A V 8180 TRAVELER 004
9124
S A R PROSPECTOR MAY 9124
Age 31y | Avg. WI -
Calves 2 | Weaned -
HR 010733
WOODVIEW SUMMER HEAT
KCM 970031
DUNEDIN ADA 9731
Age 13y | Avg. WI 115
Calves 8 | Weaned 6

COW VALUE	91
76	Calving Ease Value
102	Calf Growth Value
101	Milk Value
99	Maintenance Value
92	Fertility Value
GROWTH VALUE	102
CARCASS VALUE	101
PRODUCTION VALUE	92



Calf and Mother					Fertility			
Birth Dir.	Birth Mat.	Wean Dir.	Wean Mat.	Scr. Circ.	Heifer Fert.	Cow Fert.	Longev.	
87	80	102	101	88	91	91	104	
70%	46%	47%	41%	31%	37%	23%	46%	

Post-Wean Growth			Frame			Carcass		
Post Wean	ADG	FCR	Mature Weight	Height	Length	EMA	Fat	Mar
101	104	108	100	89	94	98	107	122
30%	30%	18%	33%	32%	32%	29%	27%	27%

Birth Weight	205D Weight	365D Weight	540D Weight	ADG Index	FCR Index	Scrotum	LH
39kg	257kg 100 (1)	-	-	-	-	-	-



Myostatin	
Q204X	Not Tested
NT821	Not Tested
F94L	Not Tested

SELLER REMARKS: Bul uit ons skoustring. Uitstekende lengte.

LOT 32 (M)



WDW 220026
LOCHEIM GEMSTONE



H.W. DE WAAL

Moorreesburg, Western Cape
loheim@xsinet.co.za

POSBUS 38,,MOORREESBURG, 7310

Herd Book	SP
Birth date	2022-04-12
Age	2y 5m
Inbreeding	3%
DNA	UI9241U034

DE 190006
DEPANNE SATION
Wean Mat. 108

Parentage	Sire	Dam
DNA	✓	
Genomic		

WDW 160018
LOCHEIM Alma
Age 8y | AFC 33m | ICP 358d
Calves 5 | Weaned 4 | Wean Mat. 96
Avg. WI 100 | CCB 5 | CCW 47
Calvings: 19-04, 20-05, 21-05,
22-04, 23-03

5615C
S A V SENSATION 5615
Wean Mat. 98

DE 150021
DEPANNE HOT GIRL 11 DE
Age 8y | AFC 34m | ICP 367d
Calves 4 | Weaned 2 | Wean Mat. 119
Avg. WI 96 | Wean Mat. 119

WDW 130001
LOCHEIM BISMARCK
Wean Mat. 122

WDW 130008
LOCHEIM SNOWDROP
Age 11y | AFC 29m | ICP 362d
Calves 9 | Weaned 8 | Wean Mat. 88
Avg. WI 101 | Wean Mat. 88

1830463
SAV REGISTRY 2831
4136
SAV BLACKCAP MAY 4136
Age 21y | Avg. WI -
Calves - | Weaned -
2020
S A V INTERNATIONAL 2020
DE 060061
DEPANNE HOT 023000 15TE
Age 17y | Avg. WI 99
Calves 12 | Weaned 10
5682
S A V BISMARCK 5682
KCM 030029
DUNEDIN EPICURE 329
Age 13y | Avg. WI 99
Calves 7 | Weaned 6
4336
S A V 004 DENSITY 4336
CRE 090328
EPWORTH CRE090328 SNOWDROP
Age 14y | Avg. WI 100
Calves 10 | Weaned 9

COW VALUE	89
102	Calving Ease Value
86	Calf Growth Value
110	Milk Value
94	Maintenance Value
103	Fertility Value
GROWTH VALUE	95
CARCASS VALUE	98
PRODUCTION VALUE	89



Calf and Mother					Fertility			
Birth Dir.	Birth Mat.	Wean Dir.	Wean Mat.	Scr. Circ.	Heifer Fert.	Cow Fert.	Longev.	
113	86	86	110	89	103	102	101	
70%	43%	49%	41%	31%	37%	23%	42%	

Post-Wean Growth			Frame			Carcass		
Post Wean	ADG	FCR	Mature Weight	Height	Length	EMA	Fat	Mar
91	98	104	105	85	92	98	105	122
28%	29%	16%	35%	32%	31%	30%	28%	27%

Birth Weight	205D Weight	365D Weight	540D Weight	ADG Index	FCR Index	Scrotum	LH
29kg	291kg 101 (3)	-	-	-	-	-	-



Myostatin	
Q204X	Not Tested
NT821	Not Tested
F94L	Not Tested

SELLER REMARKS: Bul met baie lengte en diepte uit 'n top koei.



LOT 33 (F)



WDW 210044

LOCHEIM snowdrop



Kuddeboek	SP
Geb. dtm	2021-06-19
Oud.	3j 3m
Inteling	1%
OEK	36m
Kalwers	1
Gespeen	0
Gem. SI	-
TKP	-

H.W. DE WAAL

Moorreesburg, Western Cape
locheim@xsinet.co.za

POSBUS 38, MOORREESBURG, 7310

Laaste Kalf	
Kalf ID	WDW 240083 (M)
Geb. datum	2024-06-26
Vaar ID	WDW 210015

Kalwings: 24-06



Miostatien	
Q204X	Nie Getoets
NT821	Nie Getoets
F94L	Nie Getoets

KOEIWAARDE 107

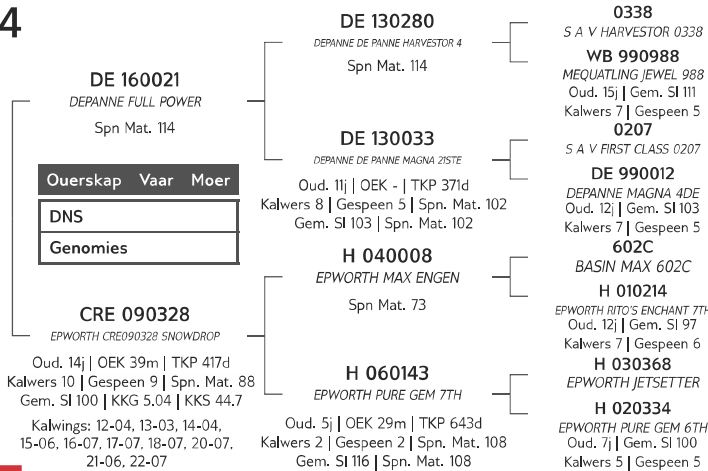
84	Kalfgemak Waarde
115	Kalfgroei Waarde
99	Melk Waarde
94	Onderhoudswaarde
96	Vrugbaarheidswaarde

GROEI WAARDE 98

KARKAS WAARDE 103

PRODUKSIE WAARDE 105

Geb. Gewig	205D Gewig	365D Gewig	540D Gewig	GDT Indeks	VOV Indeks	Skrotum	LH
30kg	233kg 103 (9)	-	-	-	-	-	-



Kalf en Moeder				Vrugbaarheid			
Geb. Dir.	Geb. Mat.	Spn. Dir.	Spn. Mat.	Skr. Omtr.	Vers Vrugb.	Koei Vrugb.	Lanklew.
84	95	115	99	107	94	100	99
73%	61%	67%	52%	39%	58%	25%	55%

Na-Speen Groei			Raam			Karkas		
Na-Speen	GDT	VOV	Volw. Gewig	Hoogte	Lengte	OSO	Vet	Mar
113	99	105	106	106	102	109	94	109
36%	34%	19%	33%	40%	38%	34%	30%	30%

VERKOPER OPMERKINGS: Mooi jong koei. Pragtige uier.

LOT 34 (F)



WDW 210039

LOCHEIM anuska



Kuddeboek	SP
Geb. dtm	2021-06-14
Oud.	3j 3m
Inteling	1%
OEK	26m
Kalwers	2
Gespeen	0
Gem. SI	-
TKP	327d

H.W. DE WAAL

Moorreesburg, Western Cape
locheim@xsinet.co.za

POSBUS 38, MOORREESBURG, 7310

Laaste Kalf	
Kalf ID	WDW 240084 (M)
Geb. datum	2024-06-26
Vaar ID	WDW 210015

Kalwings: 23-08, 24-06



Miostatien	
Q204X	Nie Getoets
NT821	Nie Getoets
F94L	Nie Getoets

KOEIWAARDE 89

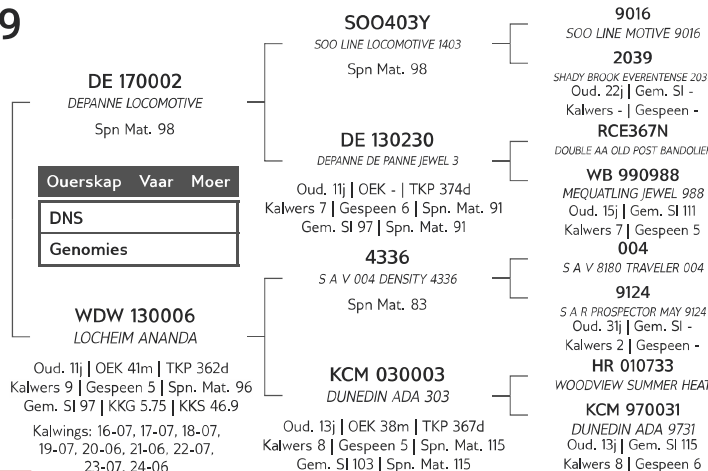
90	Kalfgemak Waarde
101	Kalfgroei Waarde
96	Melk Waarde
103	Onderhoudswaarde
81	Vrugbaarheidswaarde

GROEI WAARDE 98

KARKAS WAARDE 99

PRODUKSIE WAARDE 90

Geb. Gewig	205D Gewig	365D Gewig	540D Gewig	GDT Indeks	VOV Indeks	Skrotum	LH
31kg	225kg 100 (1)	-	-	-	-	-	-



Kalf en Moeder				Vrugbaarheid			
Geb. Dir.	Geb. Mat.	Spn. Dir.	Spn. Mat.	Skr. Omtr.	Vers Vrugb.	Koei Vrugb.	Lanklew.
93	93	101	96	94	82	89	94
73%	60%	57%	46%	24%	44%	22%	52%

Na-Speen Groei			Raam			Karkas		
Na-Speen	GDT	VOV	Volw. Gewig	Hoogte	Lengte	OSO	Vet	Mar
102	101	108	97	93	92	96	118	95
32%	23%	15%	32%	24%	24%	20%	19%	18%

VERKOPER OPMERKINGS: Ek gaan haar gemis. Kyk daai wig en mooi uier.



LOT 35 (F)



WDW 210056
LOCHEIM anita



Herd Book	SP
Birth date	2021-07-13
Age	3y 2m
Inbreeding	1%
AFC	35m
Calves	1
Weaned	0
Avg. WI	-
ICP	-

H.W. DE WAAL

Moorreesburg, Western Cape
loheim@xsinet.co.za

POSBUS 38, MOORREESBURG, 7310

Last Calf	
Calf ID	WDW 240085 (M)
Birth Date	2024-06-27
Sire ID	WDW 210015

Calvings: 24-06



Myostatin	
Q204X	Not Tested
NT821	Not Tested
F94L	Not Tested

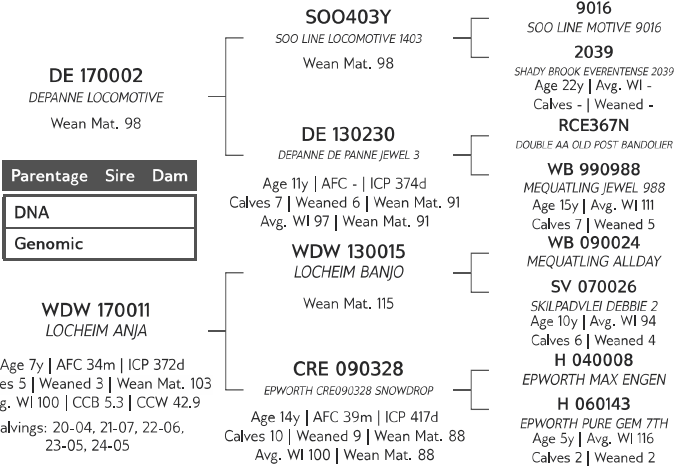
COW VALUE 100

82	Calving Ease Value
110	Calf Growth Value
96	Milk Value
97	Maintenance Value
94	Fertility Value

GROWTH VALUE -

CARCASS VALUE 102

PRODUCTION VALUE -



Calf and Mother				Fertility			
Birth Dir.	Birth Mat.	Wean Dir.	Wean Mat.	Scr. Circ.	Heifer Fert.	Cow Fert.	Longev.
83	93	110	96	99	93	99	98
72%	54%	66%	44%	23%	43%	19%	48%

Post-Wean Growth			Frame			Carcass		
Post Wean	ADG	FCR	Mature Weight	Height	Length	EMA	Fat	Mar
109	100	104	103	96	99	98	115	98
30%	21%	12%	28%	23%	22%	19%	17%	16%

Birth Weight	205D Weight	365D Weight	540D Weight	ADG Index	FCR Index	Scrotum	LH
34kg	242kg 105 (6)	-	-	-	-	-	-

SELLER REMARKS: Koei met besondere lengte en 'n baie mooi kalf van WDW21-15 by haar.

LOT 36 (M)



WDW 220043
LOCHEIM JULIAN



Herd Book	SP
Birth date	2022-05-05
Age	2y 4m
Inbreeding	5%
DNA	UI9241U031

H.W. DE WAAL

Moorreesburg, Western Cape
loheim@xsinet.co.za

POSBUS 38, MOORREESBURG, 7310



Myostatin	
Q204X	Not Tested
NT821	Not Tested
F94L	Not Tested

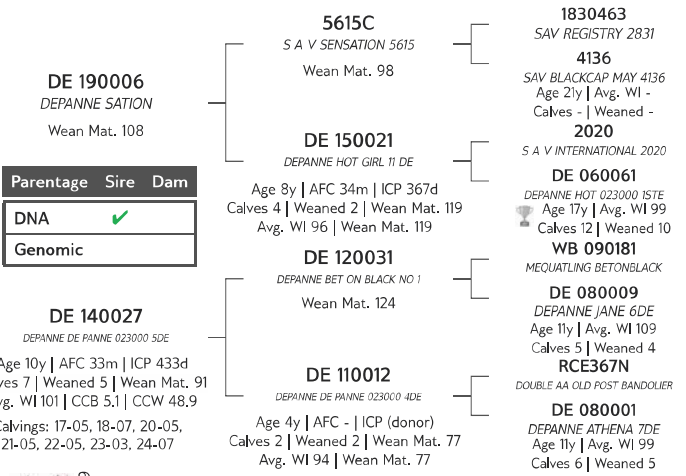
COW VALUE 101

96	Calving Ease Value
101	Calf Growth Value
103	Milk Value
92	Maintenance Value
106	Fertility Value

GROWTH VALUE 111

CARCASS VALUE 110

PRODUCTION VALUE 102



Calf and Mother				Fertility			
Birth Dir.	Birth Mat.	Wean Dir.	Wean Mat.	Scr. Circ.	Heifer Fert.	Cow Fert.	Longev.
100	93	101	103	84	106	104	101
71%	43%	46%	40%	35%	27%	16%	41%

Post-Wean Growth			Frame			Carcass		
Post Wean	ADG	FCR	Mature Weight	Height	Length	EMA	Fat	Mar
102	111	110	108	96	104	109	103	128
28%	33%	16%	23%	37%	35%	30%	28%	28%

Birth Weight	205D Weight	365D Weight	540D Weight	ADG Index	FCR Index	Scrotum	LH
32kg	304kg 100 (5)	-	-	-	-	-	-

SELLER REMARKS: Bul met baie kapasiteit. Die jong bul dra baie vleis.



LOT 37 (M)



WDW 220006
LOCHEIM INSIGHT



Kuddeboek	SP
Geb. dtm	2022-02-27
Oud.	2j 6m
Inteling	1%
DNS	UI924IU035

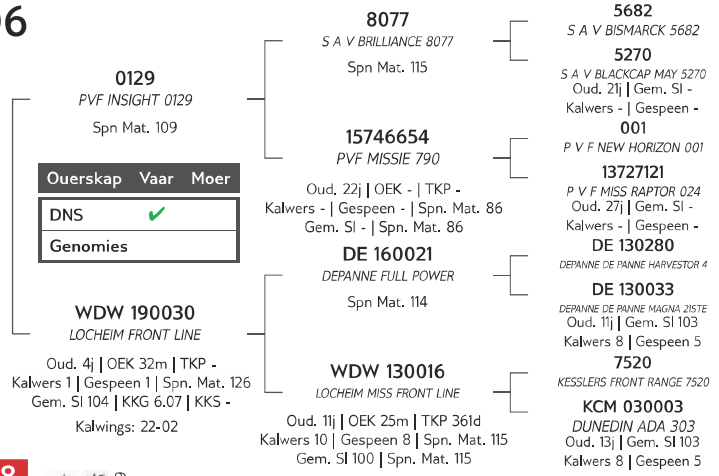
H.W. DE WAAL

Moorreesburg, Western Cape
locheim@xsinet.co.za

POSBUS 38, MOORREESBURG, 7310



Miostatien	
Q204X	Nie Getoets
NT821	Nie Getoets
F94L	Nie Getoets



KOEIWAARDE 108

73	Kalfgemak Waarde
108	Kalfgroei Waarde
117	Melk Waarde
89	Onderhoudswaarde
112	Vrugbaarheidswaarde

GROEI WAARDE 109

KARKAS WAARDE 110

PRODUKSIE WAARDE 108



Kalf en Moeder					Vrugbaarheid		
Geb. Dir.	Geb. Mat.	Spn. Dir.	Spn. Mat.	Skr. Omtr.	Vers Vrugb.	Koei Vrugb.	Lanklew.
84	79	108	117	100	121	107	92
69%	48%	64%	47%	42%	45%	22%	50%

Na-Speen Groei			Raam			Karkas		
Na-Speen	GDT	VOV	Volw. Gewig	Hoogte	Lengte	OSO	Vet	Mar
113	113	114	110	116	112	116	83	88
36%	41%	19%	36%	45%	44%	40%	37%	37%

Geb. Gewig	205D Gewig	365D Gewig	540D Gewig	GDT Indeks	VOV Indeks	Skrotum	LH
36kg	327kg 104 (4)	-	-	-	-	-	-

VERKOPER OPMERKINGS: Die Insight seun vang beslis die oog. Baie diepte en gaan mooi vroulike diere teel.

LOT 38 (M)



WDW 220050
LOCHEIM FRONTLINE



Kuddeboek	SP
Geb. dtm	2022-05-25
Oud.	2j 4m
Inteling	3%
DNS	UI924IU036

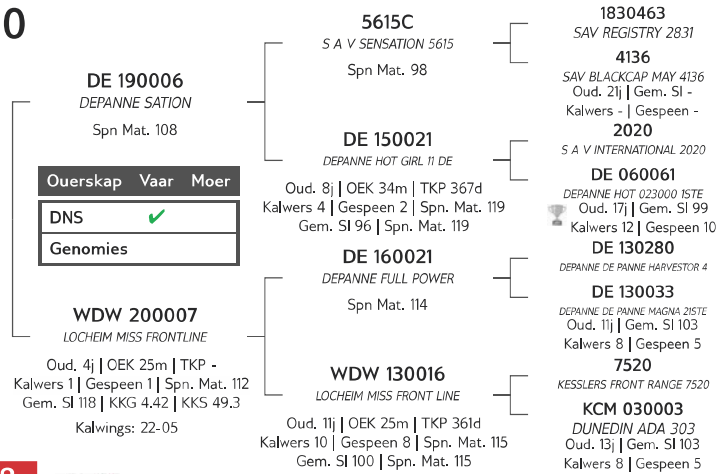
H.W. DE WAAL

Moorreesburg, Western Cape
locheim@xsinet.co.za

POSBUS 38, MOORREESBURG, 7310



Miostatien	
Q204X	Nie Getoets
NT821	Nie Getoets
F94L	Nie Getoets



KOEIWAARDE 98

101	Kalfgemak Waarde
90	Kalfgroei Waarde
119	Melk Waarde
95	Onderhoudswaarde
105	Vrugbaarheidswaarde

GROEI WAARDE 105

KARKAS WAARDE 107

PRODUKSIE WAARDE 99



Kalf en Moeder					Vrugbaarheid		
Geb. Dir.	Geb. Mat.	Spn. Dir.	Spn. Mat.	Skr. Omtr.	Vers Vrugb.	Koei Vrugb.	Lanklew.
115	82	90	119	96	115	100	93
69%	38%	47%	34%	33%	36%	19%	40%

Na-Speen Groei			Raam			Karkas		
Na-Speen	GDT	VOV	Volw. Gewig	Hoogte	Lengte	OSO	Vet	Mar
96	106	109	103	95	103	110	96	119
26%	31%	16%	27%	35%	33%	31%	29%	28%

Geb. Gewig	205D Gewig	365D Gewig	540D Gewig	GDT Indeks	VOV Indeks	Skrotum	LH
24kg	345kg 118 (5)	-	-	-	-	-	-

VERKOPER OPMERKINGS: Hier is hope potensiaal. Goie lengte op die bul.



LOT 39 (M)



WDW 220063
LOCHEIM NOVAK



Herd Book	SP
Birth date	2022-06-27
Age	2y 3m
Inbreeding	1%
DNA	UI9241U032

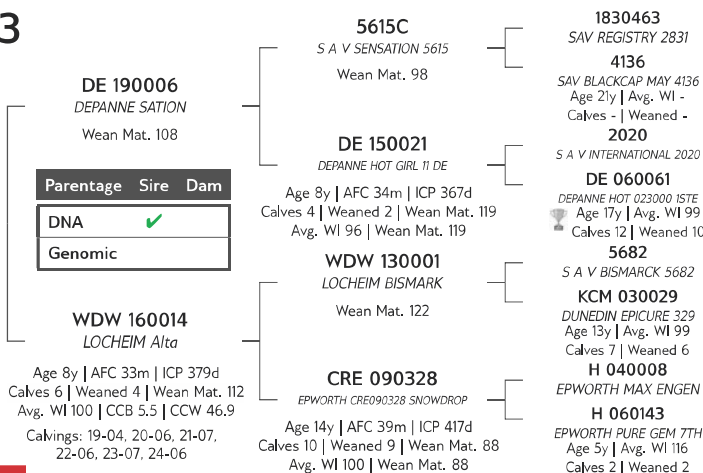
H.W. DE WAAL

Moorreesburg, Western Cape
locheim@xsinet.co.za

POSBUS 38, MOORREESBURG, 7310



Myostatin	
Q204X	Not Tested
NT821	Not Tested
F94L	Not Tested



COW VALUE 91

85	Calving Ease Value
94	Calf Growth Value
113	Milk Value
92	Maintenance Value
101	Fertility Value

GROWTH VALUE 91

CARCASS VALUE 95

PRODUCTION VALUE 90



Calf and Mother				Fertility			
Birth Dir.	Birth Mat.	Wean Dir.	Wean Mat.	Scr. Circ.	Heifer Fert.	Cow Fert.	Longev.
100	76	94	113	89	105	95	102
71%	43%	49%	41%	31%	37%	21%	42%

Post-Wean Growth			Frame			Carcass		
Post Wean	ADG	FCR	Mature Weight	Height	Length	EMA	Fat	Mar
96	94	100	107	85	91	95	103	122
28%	29%	16%	30%	32%	31%	29%	28%	27%

Birth Weight	205D Weight	365D Weight	540D Weight	ADG Index	FCR Index	Scrotum	LH
34kg	267kg 99 (5)	-	-	-	-	-	-

SELLER REMARKS: Jong bul wat baie vleis dra.

LOT 40 (M)



WDW 220055
LOCHEIM ROTATION



Herd Book	SP
Birth date	2022-06-06
Age	2y 3m
Inbreeding	1%
DNA	UI9241U033

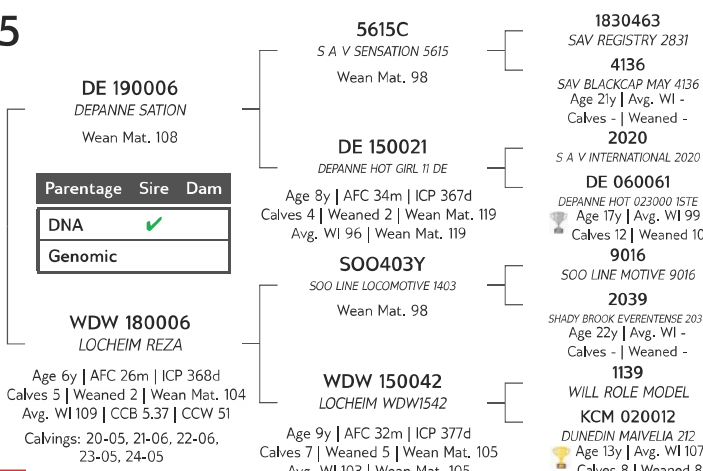
H.W. DE WAAL

Moorreesburg, Western Cape
locheim@xsinet.co.za

POSBUS 38, MOORREESBURG, 7310



Myostatin	
Q204X	Not Tested
NT821	Not Tested
F94L	Not Tested



COW VALUE 103

91	Calving Ease Value
98	Calf Growth Value
111	Milk Value
100	Maintenance Value
109	Fertility Value

GROWTH VALUE 107

CARCASS VALUE 107

PRODUCTION VALUE 103



Calf and Mother				Fertility			
Birth Dir.	Birth Mat.	Wean Dir.	Wean Mat.	Scr. Circ.	Heifer Fert.	Cow Fert.	Longev.
102	84	98	111	99	112	106	98
70%	42%	48%	36%	31%	36%	20%	42%

Post-Wean Growth			Frame			Carcass		
Post Wean	ADG	FCR	Mature Weight	Height	Length	EMA	Fat	Mar
103	109	109	99	87	100	104	108	109
30%	29%	14%	28%	33%	32%	29%	27%	26%

Birth Weight	205D Weight	365D Weight	540D Weight	ADG Index	FCR Index	Scrotum	LH
32kg	276kg 109 (5)	-	-	-	-	-	-

SELLER REMARKS: Een van my gusteling bulle. Baie mooi diepte.



LOT 41 (F)



WDW 220028
LOCHEIM MONA



Kuddeboek	SP
Geb. dtm	2022-04-18
Oud.	2j 5m
Inteling	0%

DE 190006
DEPANNE SATION
Spn Mat. 108

Uuerskap	Vaar	Moer
DNS		
Genomies		

WDW 180008
LOCHEIM MONA
Oud. 6j | OEK 30m | TKP 318d
Kalwers 4 | Gespeen 3 | Spn. Mat. 103
Gem. SI 102 | KKG 5.22 | KKS 49.7
Kalwings: 20-09, 21-06, 22-04, 23-04

5615C
S A V SENSATION 5615
Spn Mat. 98

DE 150021
DEPANNE HOT GIRL II DE
Oud. 8j | OEK 34m | TKP 367d
Kalwers 4 | Gespeen 2 | Spn. Mat. 119
Gem. SI 96 | Spn. Mat. 119

SOO403Y
SOO LINE LOCOMOTIVE 1403
Spn Mat. 98

WDW 150031
LOCHEIM BLACK CAP
Oud. 8j | OEK 31m | TKP 579d
Kalwers 5 | Gespeen 4 | Spn. Mat. 112
Gem. SI 105 | Spn. Mat. 112

1830463
SAV REGISTRY 2831
4136
SAV BLACKCAP MAY 4136
Oud. 21j | Gem. SI -
Kalwers - | Gespeen -
2020
S A V INTERNATIONAL 2020
DE 060061
DEPANNE HOT 023000 1STE
Oud. 17j | Gem. SI 99
Kalwers 12 | Gespeen 10
9016
SOO LINE MOTIVE 9016
2039
SHADY BROOK EVERENTENSE 2039
Oud. 22j | Gem. SI -
Kalwers - | Gespeen -
FG 090059
FREDERICKSBURG 4200 LETUKA F00
WDW 130023
LOCHEIM BLACK CAP
Oud. 6j | Gem. SI 104
Kalwers 3 | Gespeen 3

H.W. DE WAAL

Moorreesburg, Western Cape
locheim@xsinet.co.za

POSBUS 38, MOORREESBURG, 7310

KOEIWAARDE	82
100	Kalfgemak Waarde
95	Kalfgroei Waarde
92	Melk Waarde
105	Onderhoudswaarde
69	Vrugbaarheidswaarde
GROEI WAARDE	-
KARKAS WAARDE	96
PRODUKSIE WAARDE	-

Kalf en Moeder					Vrugbaarheid		
Geb. Dir.	Geb. Mat.	Spn. Dir.	Spn. Mat.	Skr. Omtr.	Vers Vrugb.	Koei Vrugb.	Lanklew.
104	94	95	92	103	78	106	57
59%	32%	34%	27%	17%	29%	15%	28%

Na-Speen Groei			Raam			Karkas		
Na-Speen	GDT	VOV	Volw. Gewig	Hoogte	Lengte	OSO	Vet	Mar
91	95	135	95	101	97	81	116	108
21%	15%	10%	17%	17%	17%	15%	14%	12%

Geb. Gewig	205D Gewig	365D Gewig	540D Gewig	GDT Indeks	VOV Indeks	Skrotum	LH
32kg	261kg 104 (8)	-	-	-	-	-	-



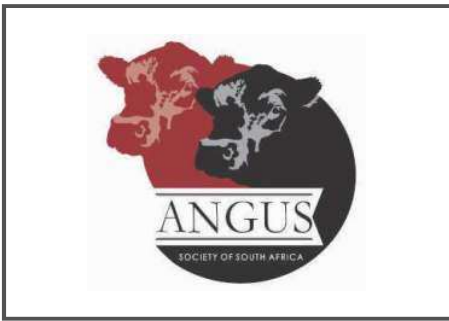
Miostatien	
Q204X	Nie Getoets
NT821	Nie Getoets
F94L	Nie Getoets

VERKOPER OPMERKINGS: Sy is geki met SAV GRAND CANYON.

LOT 42 (F)



WDW 220060
LOCHEIM LORINDA



Kuddeboek	SP
Geb. dtm	2022-06-19
Oud.	2j 3m
Inteling	1%

DE 190006
DEPANNE SATION
Spn Mat. 108

Uuerskap	Vaar	Moer
DNS		
Genomies		

WDW 180005
LOCHEIM LORINDA
Oud. 6j | OEK 26m | TKP 379d
Kalwers 5 | Gespeen 2 | Spn. Mat. 99
Gem. SI 108 | KKG 5.46 | KKS 48.1
Kalwings: 20-05, 21-07, 22-06, 23-05, 24-07

5615C
S A V SENSATION 5615
Spn Mat. 98

DE 150021
DEPANNE HOT GIRL II DE
Oud. 8j | OEK 34m | TKP 367d
Kalwers 4 | Gespeen 2 | Spn. Mat. 119
Gem. SI 96 | Spn. Mat. 119

SOO403Y
SOO LINE LOCOMOTIVE 1403
Spn Mat. 98

WDW 150039
LOCHEIM WDW1539
Oud. 4j | OEK 32m | TKP -
Kalwers 1 | Gespeen 1 | Spn. Mat. 100
Gem. SI 96 | Spn. Mat. 100

1830463
SAV REGISTRY 2831
4136
SAV BLACKCAP MAY 4136
Oud. 21j | Gem. SI -
Kalwers - | Gespeen -
2020
S A V INTERNATIONAL 2020
DE 060061
DEPANNE HOT 023000 1STE
Oud. 17j | Gem. SI 99
Kalwers 12 | Gespeen 10
9016
SOO LINE MOTIVE 9016
2039
SHADY BROOK EVERENTENSE 2039
Oud. 22j | Gem. SI -
Kalwers - | Gespeen -
1139
WILL ROLE MODEL
KCM 020012
DUNEDIN MAIVELIA 212
Oud. 13j | Gem. SI 107
Kalwers 8 | Gespeen 8

H.W. DE WAAL

Moorreesburg, Western Cape
locheim@xsinet.co.za

POSBUS 38, MOORREESBURG, 7310

KOEIWAARDE	97
93	Kalfgemak Waarde
92	Kalfgroei Waarde
111	Melk Waarde
99	Onderhoudswaarde
109	Vrugbaarheidswaarde
GROEI WAARDE	105
KARKAS WAARDE	104
PRODUKSIE WAARDE	97

Kalf en Moeder					Vrugbaarheid		
Geb. Dir.	Geb. Mat.	Spn. Dir.	Spn. Mat.	Skr. Omtr.	Vers Vrugb.	Koei Vrugb.	Lanklew.
107	81	92	111	96	114	106	96
70%	41%	47%	32%	31%	36%	19%	41%

Na-Speen Groei			Raam			Karkas		
Na-Speen	GDT	VOV	Volw. Gewig	Hoogte	Lengte	OSO	Vet	Mar
97	107	108	99	84	96	102	107	108
30%	29%	14%	24%	33%	32%	29%	27%	26%

Geb. Gewig	205D Gewig	365D Gewig	540D Gewig	GDT Indeks	VOV Indeks	Skrotum	LH
28kg	283kg 116 (3)	-	-	-	-	-	-



Miostatien	
Q204X	Nie Getoets
NT821	Nie Getoets
F94L	Nie Getoets

VERKOPER OPMERKINGS: Hier hou ons een van die besies vir laaste. Bul het alles wat ons in 'n stoetbul soek.



2024 SWARTLAND VEEBOERE
Moorreesburg 12 September 2024



LOT	Animal ID	Sex	SEC	Birth Wt (kg)	205d Wt (kg)	Actual Values			Expected Breeding Values										Indices		Dam					
						CBW Ratio	CCW Ratio	Length Height Ratio	Scr. Circ. (mm)	Birth Dir (kg)	Birth Mat (kg)	Birth Wt (kg)	Wean Dir (kg)	Wean Mat (kg)	Post Wean (kg)	Mature Weight. (kg)	ADG (g/d)	FCR (kg/kg)	Scr. Circ. (mm)	Height. (mm)		Length (mm)	Wean	ADG	Scr. Circ.	Avg. Wean Index
Breed Average																										
Auction Average																										
1	WDW 220022	M	SP	31	272	5.02	46.4	-	-	1.53	0.38	26.9	5.8	51	38	207	-81	21.8	-	44.0	103	-	97	102	6.0	106
2	WDW 200008	F	SP	31	316	4.7	43.8	-	-	2.83	0.35	36.5	6.7	76.2	42.7	215	-89	23.7	1	57	118	-	104	100	10	120
3	WDW 200034	F	SP	33	230	5	42.9	-	-	2.43	1.12	31.8	9.9	68.4	31.7	230	-106	23	0	47	93	-	103	101	5	99
4	WDW 200032	F	SP	30	236	4.46	46	-	-	2.54	-0.05	34.1	4.3	69.4	42.6	189	-82	20.3	0	47	97	-	97	98	11	113
5	WDW 210015	M	SP	26	290	3.98	52.1	-	-	1.47	0.37	26.9	5.0	62.8	39.0	232	-104	21.4	-0	43	107	-	99	101	8	97
6	WDW 230039	F	SP	33	243	4.79	-	-	-	1.27	1.20	21.4	9.1	47.7	35.6	208	-86	18.7	-1	38	100	-	94	100	2	96
7	WDW 230006	F	SP	31	279	5.42	45.7	-	-	2.06	0.16	32.9	5.4	75.1	35.2	222	-96	24.8	0	53	100	-	106	100	2	104
8	WDW 220013	F	SP	33	272	5.22	45.5	-	-	1.39	0.48	27.3	6.9	59.0	37.1	217	-91	24.6	-0	44	95	-	106	95	6	108
9	WDW 220068	M	SP	39	257	5.98	49.9	-	-	2.78	1.21	28.0	6.0	60.3	37.8	224	-98	16.1	-1	38	100	-	88	97	9	108
10	WDW 220026	M	SP	29	291	4.75	-	-	-	0.27	0.98	19.8	8.6	48.1	43.7	197	-88	16.4	-1	36	101	-	89	100	5	107
11	WDW 210044	F	SP	30	233	4.73	41.7	-	-	3.03	0.59	34.6	5.5	72.4	45.4	202	-91	25.3	0	47	103	-	107	100	10	99
12	WDW 210039	F	SP	31	225	4.81	-	-	-	2.17	0.68	27.2	4.6	62.3	34.4	212	-97	18.6	-0	36	100	-	94	97	9	108
13	WDW 210056	F	SP	34	242	5.21	42.1	-	-	3.14	0.68	32.1	4.8	68.8	42.0	206	-90	21.2	-0	43	105	-	99	100	5	109
14	WDW 220043	M	SP	32	304	5.13	49.2	-	-	1.51	0.66	27.3	6.7	58.3	47.3	258	-101	14.1	-0	49	100	-	84	101	7	101
15	WDW 220006	M	SP	36	327	6.07	-	-	-	3.01	1.26	31.1	10.7	73.1	50.5	264	-111	21.7	1	56	104	-	100	104	1	79
16	WDW 220050	M	SP	24	345	4.42	49.3	-	-	0.16	1.12	21.8	11.2	53.1	41.6	236	-99	19.9	-0	47	118	-	96	118	1	96
17	WDW 220063	M	SP	34	267	5.37	47.6	-	-	1.51	1.38	23.6	9.5	54.2	46.5	181	-81	16.5	-1	36	99	-	89	100	6	109
18	WDW 220055	M	SP	32	276	5.56	-	-	-	1.35	1.06	26.1	8.9	60.7	36.6	249	-101	21.3	-1	44	109	-	99	109	5	118
19	WDW 220028	F	SP	32	261	5.4	-	-	-	1.15	0.64	24.3	3.6	47.6	31.8	186	-153	23	0	42	104	-	103	102	4	114
20	WDW 220060	F	SP	28	283	4.75	-	-	-	0.92	1.16	22.8	8.8	55.1	37.3	238	-97	19.8	-1	41	116	-	96	108	5	116

EXPLANATION OF CATALOGUE ABBREVIATIONS
VERDUIDELIKING VAN KATALOGUS AFKORTINGS

Lot Number	LOT	LOT	Lot Nommer
Estimated breeding value	EBV	EBV	Beraamde teelwaarde
Parentage verification	Parentage	Ouerskap	Ouerskap verifikasie
Age in years	AGE	OUD.	Ouderdom in jaar
Age at First Calving	AFC	OEK	Ouderdom met Eerst Kalwing
Intercalving Period	ICP	TKP	Tussen-Kalf Periode
Number of calvings	Calvings	Kalwings	Aantal kalwings
Number of calves weaned	Weaned	Gespeen	Aantal kalwers gespeen
Average Wean index	Avg. WI	Gem. SI	Gemiddelde speen indeks
Animal identification number	ID	ID	Dier se identifikasie nommer
Herd Book Section	SEC	AFD	Kuddeboek Afdeling
Herd Book Section: Pending Registration	PEN	PEN	Kuddeboek Afdeling: Wag vir Registrasie
Herd Book Section: Not for Registration	NFR	NFR	Kuddeboek Afdeling: Nie vir Registrasie
Herd Book Section: Foundation Generation	FO	FO	Kuddeboek Afdeling: Fondasie Generasie
Herd Book Section: Appendix A	A	A	Kuddeboek Afdeling: Aanhangsel A
Herd Book Section: Appendix B	B	B	Kuddeboek Afdeling: Aanhangsel B
Herd Book Section: Studbook Proper, a registered animal	SP	SP	Kuddeboek Afdeling: Studbook Proper, 'n geregistreerde dier
Genomically Tested	GT	GT	Genomies Getoets
Homozygous Horned (Celtic test)	HH(c)	HH(c)	Homosigoties horings (Celtic toets)
Homozygous Polled (Celtic test)	PP(c)	PP(c)	Homosigotiets Poena (Celtic toets)
Heterozygous Polled (Celtic test)	Pp(c)	Pp(c)	Heterosigoties Poena (Celtic toets)
Phenotypically Polled	P	P	Fenotopies Poena
Birth Direct breeding value	Birth Dir.	Geb. Dir	Geboorte Direk teelwaarde
Wean Direct breeding value	Wean Dir.	Spn. Dir.	Speen Direk teelwaarde
Wean Maternal breeding value	Wean Mat.	SPn. Mat.	Speen Maternaal teelwaarde
Scrotal Circumference	Scr. Circ.	Skr. Omt.	Skrotum omtrek
Heifer Fertility	Heifer Fert.	Vers Vrugb.	Vers Vrugbaarheid
Cow Fertility	Cow Fert.	Koei Vrugb.	Koei Vrugbaarheid
Longevity	Longev.	Lankl.	Lanklewendheid
Mature Weight	Mat. Wt.	Volw. Gewig	Volwasse gewig
Average Daily Gain (g/day)	ADG	GDT	Gemiddelde Daaglikse Toename
Feed Conversion Ratio (kg:kg)	FCR	VOV	Voeromset Verhouding
Eye Muscle Area	EMA	OSO	Oogspier grootte
Backfat Thickness	Fat	Vet	Rugvet Diepte
Marbeling (intra-muscular fat)	Mar	Mar	Marmering (binne-spierse vet)
Actual Birth weight	Birth Wt.	Geb. gewig	Werklike Geboorte gewig
205-day Dam-age corrected weight	205d Wt.	205d gewig	205-dag Moeder-ouderdom gekorrigeerde gewig
365-day weight index	365D Index	365D Indeks	365-dae gewig indeks
540-day weight index	540D Index	540D Indeks	540-dae gewig indeks
Length-Height ratio	LH	LH	Lengte-Hoogte Verhouding
Cow-Calf Birth Ratio	CCG	KKG	Koei-Kalf Geboorte Verhouding
Cow-Calf Wean Ratio	CCW	KKS	Koei-Kalf Speen Verhouding
Average Weaning Index	Avg. WI	Gem. SI	Gemiddelde speen indeks
Number of Calves	Nr. Calves	Aant. Kalw.	Aantal kalwers
Reproduction Index	Repr. Index	Repr. Indeks	Reproduksie indeks
Animal sex: M - Male, F - Female	M / F	M / V	Dier geslag: M - Manlik, V - Vroulik